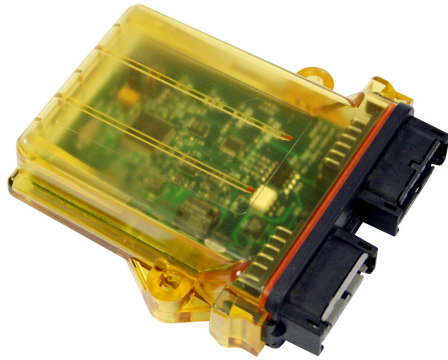


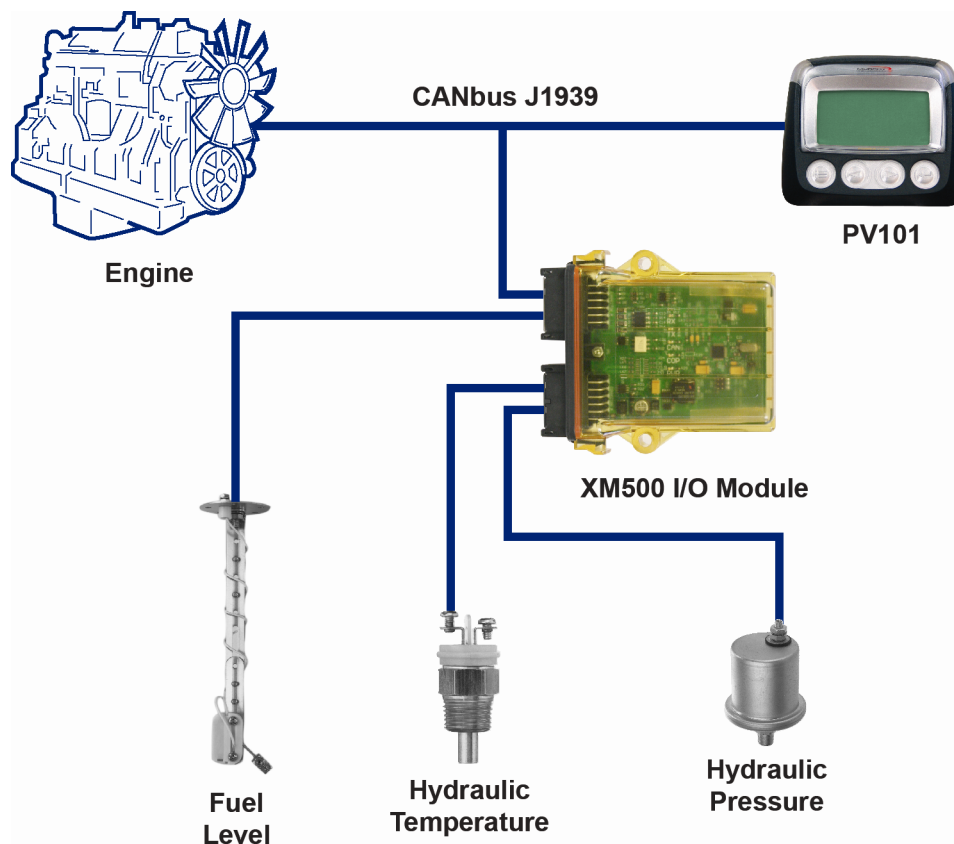
XM500 I/O Module



Features

- Adds I/O to J1939 Network
- Works with Standard J1939 Display Modules
- Wide Operating Temperature Range
- Industry Standard Deutsch Enclosure and Connectors
- Custom Programming Available

The XM500 is a configurable Input / Output (I/O) module designed to bring analog input and digital input and output information onto the SAE J1939 Controller Area Network. Your application may require monitoring additional I/O information which may not be provided by the OEM Engine or Transmission Electronic Control Unit (ECU), such as Fuel Level, Hydraulic Oil Pressure, or a Low Engine Coolant Level switch. The XM500 is ideally suited to bring the additional information you need onto the J1939 CAN bus, and can be configured to broadcast fault codes and activate digital outputs per input conditions such as Fuel Level Low, Hydraulic Oil Temperature High, etc. Because the XM500 broadcasts information using the J1939 standard protocol, the information can be displayed using standard J1939 display modules, such as the PowerView PV101.



In order to consistently bring you the highest quality, full featured products, we reserve the right to change our specifications and designs at any time. MURPHY and the Murphy logo are registered and/or common law trademarks of Murphy Industries, Inc. This document, including textual matter and illustrations, is copyright protected by Murphy Industries, Inc., with all rights reserved. (c) 2007 Murphy Industries, Inc.

Specifications

Power Input: 8 to 32 VDC

Operating Temperature: -40 to 85°C (-40° to 185°F)

Digital Inputs: 4 – Ground or battery positive activation

Digital Outputs: 2 – Sinking (500 mA)

Thermocouple Input¹: Type K

Analog Inputs²:

- 1 – battery supply voltage (dedicated)
- 7 – configurable as 0-5 VDC, 4-20 mA, or Murphy resistive sender³

Speed Sensing input: 2 to 120 VAC RMS from 30 to 10,000 Hz.

Communication Ports: CAN J1939

LED Indicators:

- PWR - Power On
- COP - Computer Operating Properly
- CAN - CANbus Active

Product Weight: 10 ounces

Shipping Weight: 12 ounces

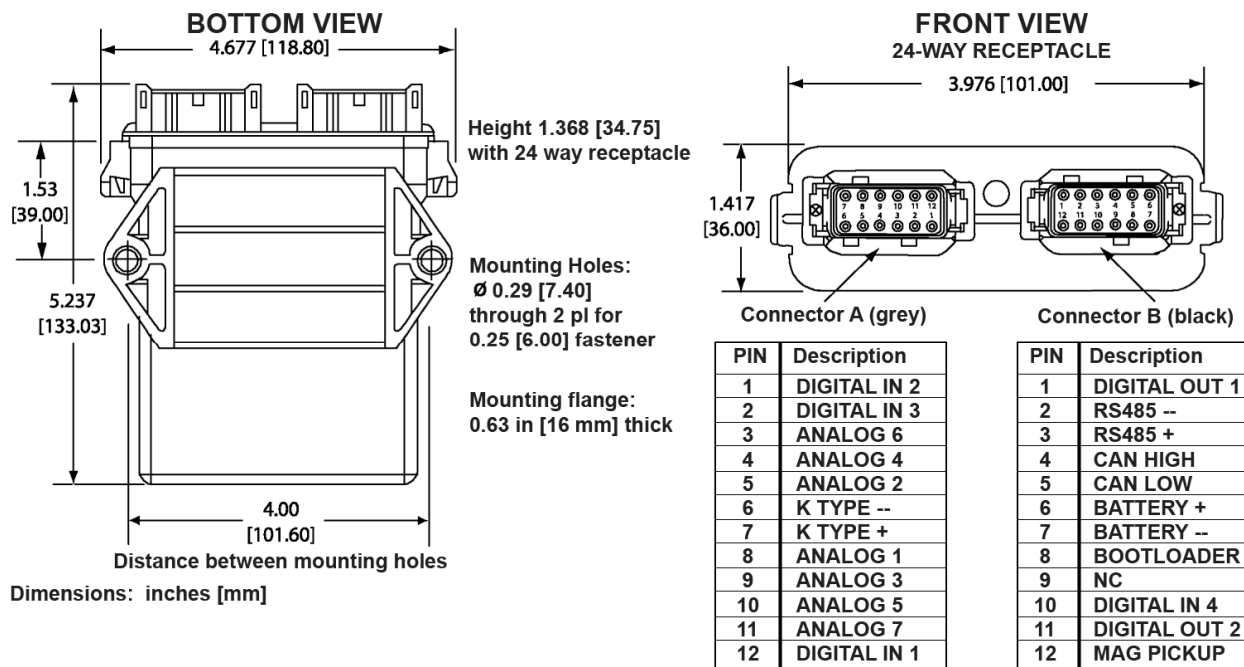
Shipping Dimensions: 4" x 6" x 2"

¹When the thermocouple input is used, only 5 resistive, 4-20 mA, or 0-5 VDC, can be used instead of 7.

²Analog inputs can be exchanged for digital inputs (battery ground activation only), for a total of ten digital inputs.

³Other resistive senders can be supported. Contact FW Murphy's Industrial Panel Division for programming charges.

Dimensions



How to Order

Model: XM500

Contact FW Murphy's Industrial Panel Division for your custom application. Minimum order quantities apply.

Phone: 918 317 4100

E-mail: ipdsales@fwmurphy.com

FW MURPHY

P.O. Box 470248
Tulsa, Oklahoma 74147 USA
+1 918 317 4100 Fax: +1 918 317 4266
E-mail: sales@fwmurphy.com

INDUSTRIAL PANEL DIVISION

Fax: +1 918 317 4124
E-mail: ipdsales@fwmurphy.com

MURPHY POWER IGNITION

Web site: www.murphy-pi.com

CONTROL SYSTEMS & SERVICES DIVISION

P.O. Box 1819
Rosenberg, Texas 77471 USA
Phone: +1 281 633 4500 Fax: +1 281 633 4588
E-mail: sales@fwmurphy.com

FRANK W. MURPHY, LTD

Church Rd Laverstock
Salisbury SP1 1QZ UK
Phone: +44 172 241 0055 Fax: +44 172 241 0088
E-mail: sales@fwmurphy.co.uk
Web site: www.fwmurphy.co.uk

COMPUTRONIC CONTROLS, LTD

41 - 43 Railway Terrace
Nechells, Birmingham B7 5NG UK
Phone: +44 121 327 8500 Fax: +44 121 327 8501
E-mail: sales@computroniccontrols.com
Web site: www.computroniccontrols.com

www.fwmurphy.com

FW MURPHY INSTRUMENTS (HANGZHOU) CO. LTD

77 23rd Street
Hangzhou Economic & Technological Development Area
Hangzhou, Zhejiang 310018 China
Phone: +86 571 8788 6060 Fax: +86 571 8684 8878

FW MURPHY INTERNATIONAL TRADING (SHANGHAI) CO., LTD.

Suite 1704, Tower B, City Center of Shanghai; 100 Zunyi Road
Shanghai, 200051 China
Phone: +86 21 6237 2082 Fax: +86 21 6237 2083
Web site: mhong@fwmurphy.com



Printed in U.S.A.

Warranty - A limited warranty on materials and workmanship is given with this FW Murphy product. A copy of the warranty may be viewed or printed by going to www.fwmurphy.com/support/warranty.htm

Free Manuals Download Website

<http://myh66.com>

<http://usermanuals.us>

<http://www.somanuals.com>

<http://www.4manuals.cc>

<http://www.manual-lib.com>

<http://www.404manual.com>

<http://www.luxmanual.com>

<http://aubethermostatmanual.com>

Golf course search by state

<http://golfingnear.com>

Email search by domain

<http://emailbydomain.com>

Auto manuals search

<http://auto.somanuals.com>

TV manuals search

<http://tv.somanuals.com>