

KEYSTART 9700 series

MANUAL START ENGINE CONTROLLER WITH AUTOMATIC FAULT PROTECTION SHUTDOWN

The Keystart 9700 range provides for the manual starting and stopping of a standby engine - a generator, pump or other application - with automatic monitoring and shutdown of the engine in the event of a fault.

The 9700 series is pin compatible with the Autostart range: this allows the use of standard wiring for both manual and automatic control panels, simplifying panel design and permitting easy upgrades from a manual to fully automatic control system.

Key features

- Keyswitch operation for enhanced security
- Up to four fault inputs, configurable for use with contacts which open or close on fault, with wiring to +ve or -ve DC
- Options for overspeed protection (magnetic pickup or AC alternator driven) and preheat/auxiliary control.
- Pin compatible with Autostart 705, 710, 720 and 730 series.
- 96 x 96mm DIN standard, front panel mounted case
- Switchable 12 or 24 V DC power supply

Operation

The Keystart is powered from the engine battery or similar low voltage DC source. A switch at the rear allows for 12V or 24V operation.

Control of the Keystart and engine is by use of a 3 or 4 position keyswitch on the front fascia:-

STOP Removes power from the Keystart, stopping the engine and resetting a latched fault condition.






RUN Energises the Keystart's RUN relay (enabling the engine fuel or ignition). The fault 'override' timer begins as soon as the key is turned (or spring returns) to this position. Once the engine is fully running, Keystart monitors for faults and shuts down the engine if a fault is detected.

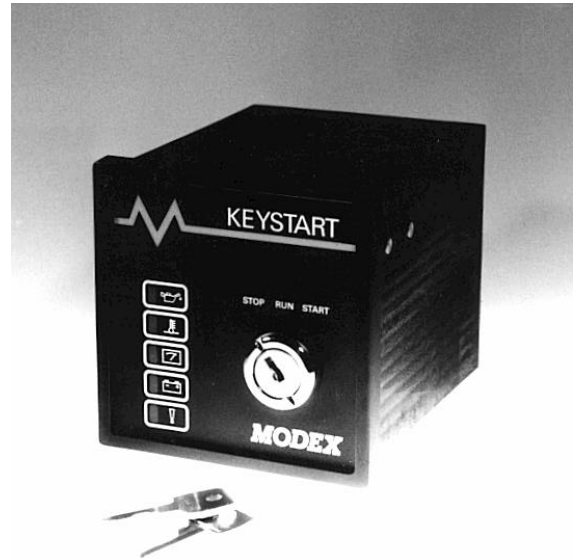
START Maintains fuel to the engine, and activates the START output (used for controlling the starter motor circuit). This position is spring-biased to return to the RUN position when the operator releases the key.

AUX (optional: 'A' models only) Provides a switched +ve DC output, used for preheat circuits or auxiliary control (remote power up) of Keystart.

The key is common to all Keystarts and is removable only in the STOP position.

The front fascia also has five LED and pictogram indicators for the display of engine fault status:-

-  Low Oil Pressure
-  High Engine Temperature
-  Overspeed (or Plant Fail on non-overspeed units)
-  Charge Fail
-  Plant Fail



Product Specifications

Power supply:

Operating voltage:	(12V setting)	(24V setting)
Steady state	9 – 20 V DC	18 – 33 V DC
Brown out / cranking	<= 5V for 2 secs	<= 10V for 2 secs
Current consumption	< 150mA	

Inputs:

Fault switch inputs:-	selectable: open or closed, + ve or - ve
+ ve input defined as:	80% to 100% of +ve DC supply
- ve input defined as:	-1V to +2V w.r.t -ve DC supply
Speed sensing inputs:-	
Magnetic pickup	10 – 60 VAC peak, < 2300 to > 3400 Hz.
AC alternator	90 – 350 VAC rms, < 50 to > 60 Hz. nom.

Outputs:

Run relay output	volt-free SPCO relay contacts 16 A max. @ 24V DC
Start output	+ ve DC (switched) 16 A max. @ 24V DC
Auxiliary/preheat output	+ ve DC (switched) 15 A max. @ 24V DC
Alarm output	- ve DC (open collector transistor) 300mA max. @ 33V DC max.
Tachometer / calibration	To suit 0 – 1 mA, 75 Ohm meter, output = 0.75mA at rated engine speed

Adjustable settings:

Fault Override timer	< 10 to > 30 secs.
Overspeed trip level	< 100 to >130 % of calibrated speed

General:

Overall dimensions (w x h x d)	96 x 96 x 130 mm
Panel cut-out size	DIN 92 x 92 mm
Weight	approx. 500 g
Operating ambient temperature	-10°C to +55°C
Case sealing	IP22
Vibration	1G, 50 Hz to 5 kHz.
Chemical/fire	case: glass filled Noryl, self extinguishing, non-dripping. facia: polycarbonate

In order to consistently bring you the highest quality, full featured products, we reserve the right to change our specifications and designs at any time.

Control Outputs

The following are provided:-

- Switched +ve RUN relay and START outputs, used for controlling the engine fuel and starter motor circuits.
- A -ve DC (open collector transistor), common ALARM output, used for remotely signalling a fault condition.

Fault protection and Alarm System

After the operator has started the engine and the fault override timer has expired, the Keystart monitors for engine and plant faults through remotely connected switch sensors.

Dedicated inputs are provided for Low Oil Pressure and High Engine Temperature switch sensors. 1 or 2 additional inputs may be used for general purpose 'plant fail' contacts. Switches at the rear allow the inputs to be configured for use with remote contacts which either open or close during fault, with wiring polarity to either +ve or -ve DC.

The Keystart may optionally be fitted with an engine overspeed trip, available in alternator sensing (generator AC, 50/60Hz) or magnetic pickup sensing variants.

If any of the above faults occur, Keystart will:-

- turn off its RUN output (stopping the engine)
- indicate the fault on the appropriate front fascia LED
- activate its Alarm output (to remotely signal that a fault has occurred).

The automatic fault shutdowns operate on a first-up and latching basis - subsequent faults are not indicated and the displayed fault can only be cleared by switching the Keystart to STOP.

Charge Fail Warning

A charge failure warning LED is provided for use with an engine driven charge alternator. The charge alternator's WL terminal is connected to the Keystart, which will in turn monitor the WL voltage and provide the alternator with excitation current at engine start up.

Installation

The Keystart uses a DIN standard 96 x 96 mm casing, designed for mounting in a control panel cut-out (92 x 92mm DIN). Electrical connection is through a pair of 'two-part' type terminal blocks at the rear of the unit, with 2 separate 1/4" blade terminals on overspeed versions for the tachometer or calibration meter.

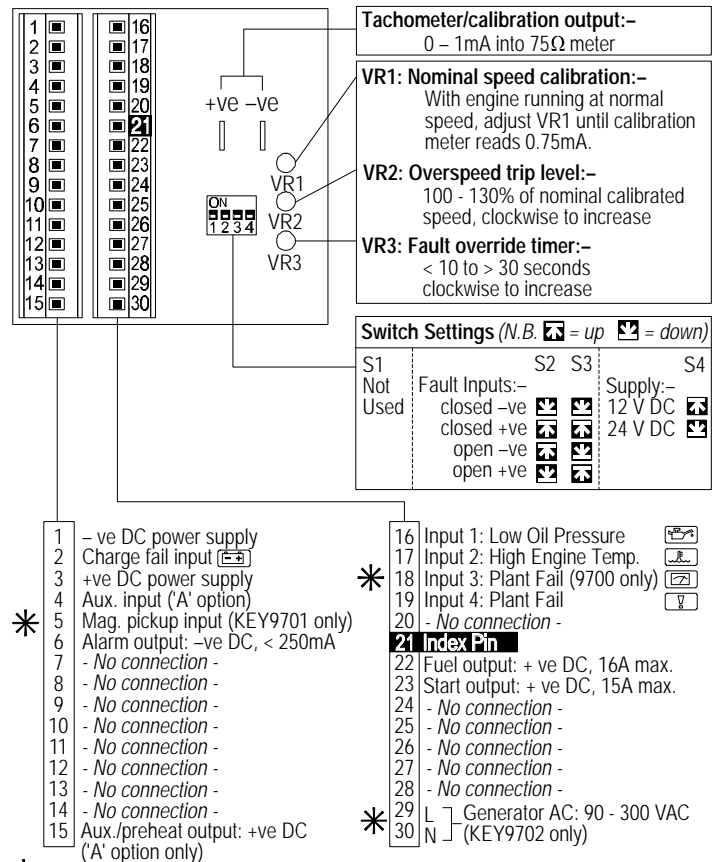
Also at the rear is are 4 switches for the setting of the supply voltage and alarm input configurations, and up to 3 potentiometers: one to set the fault 'override' time (all units), and 2 more to set the speed calibration and overspeed trip level, where fitted.

When ordering, please specify:-

- Base unit type:-
 - Keystart 9700:** no overspeed
 - Keystart 9701:** magnetic pickup sensing overspeed
 - Keystart 9702:** AC alternator (50/60Hz) overspeed
- Options:-
 - 'A': auxiliary control/preheat option

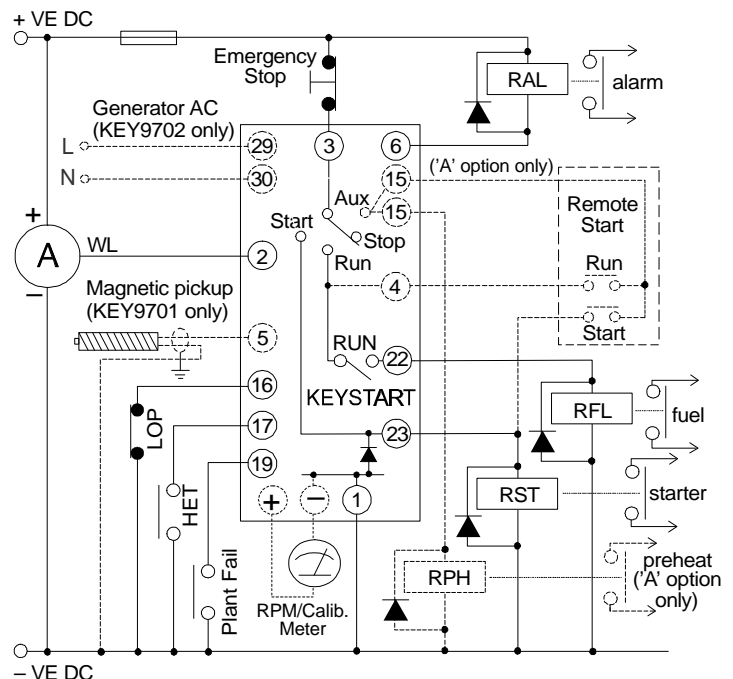
N.B: stock units are supplied with switch settings for 24VDC power supply, inputs closing to -ve DC during fault.

Rear Facia Settings & Electrical Connection



* Note:-
Pin 5 is not used on models 9700 and 9702.
Pin 18 is not used on overspeed models 9701 and 9702.
Pins 29 and 30 are not used on models 9700 and 9701.

Typical Connection Circuit



FRANK W. MURPHY
Since 1939 MFR.
Frank W. Murphy Manufacturer
PO Box 470248, Tulsa, Oklahoma 74147, USA
Tel: +1 918 627 3550 Fax: +1 918 664 6146
email: sales@fwmurphy.com
web: http://www.fwmurphy.com

Frank W. Murphy Ltd.
Incorporating Modex Automation
Church Road, Laverstock, Salisbury U.K.
Tel: +44 1722 410055 Fax: +44 1722 410088
Pour service en Français, tél: +44 1722 410697
email: sales@fwmurphy.co.uk
web: http://www.fwmurphy.co.uk

Frank W. Murphy Ltd. en France
Tel: +33 (1) 30 76 26 26 Fax: +33 (1) 30 76 39 89
Direct usine Tel: +44 1722 410697
email: sales@fwmurphy.co.uk

Frank W. Murphy Pte. Ltd.
No. 2 Tuas South Street 2, Sprintsces Building
02-01/02, Singapore 637895
Tel: +65 863 1398 Fax: +65 863 0208
email: fwmurphy@fwmurphy.com.sg

Frank W. Murphy Southern Division
PO Box 1819, Rosenberg, Texas 77471, USA
Tel: +1 281 342 0297 Fax: +1 281 341 6006
email: sales@fwmurphy.com

Murphy Switch of California
PO Box 900788, Palmdale, California 93590, USA
Tel: +1 805 272 4700 Fax: +1 805 947 7570
email: sales@murphyswitch.com
web: http://www.murphyswitch.com

Murphok Pty. Ltd.
1620 Hume Highway, Campbellfield, Vic. 3061 Australia
Tel: +61 3 9358 5555 Fax: +61 3 9358 5558
email: murphy@macquarrie.com.au

Murphy de Mexico S.A. de C.V.
Blvd. Antonio Rocha Cordero 300, Fracción del Aguaje
San Luis Potosí, S.L.P. México 78384
Tel: +52 48 206264 Fax: +52 48 206336
email: murmexsl@sanluis.podernet.com.mx

Free Manuals Download Website

<http://myh66.com>

<http://usermanuals.us>

<http://www.somanuals.com>

<http://www.4manuals.cc>

<http://www.manual-lib.com>

<http://www.404manual.com>

<http://www.luxmanual.com>

<http://aubethermostatmanual.com>

Golf course search by state

<http://golfingnear.com>

Email search by domain

<http://emailbydomain.com>

Auto manuals search

<http://auto.somanuals.com>

TV manuals search

<http://tv.somanuals.com>