

AUTOSTART 730 (AS730 series)

PROGRAMMABLE GENERATOR CONTROLLER

The Autostart 730 provides for the fully automatic or manual control of a standby generator. The unit has similar control and instrumentation features to the Autostart 710, but with the addition of 3 phase generator voltage and current measurement, display and fault tripping.

Key features

- Automatic, Manual and Program modes, selected by front facia push button keys
- 32 character, back-lit liquid crystal display (LCD)
- Fully programmable generator control options, timers, inputs, outputs and fault protections
- Monitoring, display and programmable fault trips for generator speed/frequency, 3 phase voltage and 3 phase current with IDMT response.
- Comprehensive automatic fault protection system:- up to 5 programmable fault inputs, overspeed, charge fail, emergency stop, and high and low battery volts
- 6 programmable outputs, each with over 40 different function (or 'action') types.

Operation

Control of the Autostart is via 4 front facia keys:-

ON/MODE Turns on the Autostart and allows selection of Auto or Manual modes.

PAGE Used to scroll through measured generator parameters, such as 3 phase voltage and current, engine oil pressure and temperature, hours run and battery voltage.

SELECT Used in the programming of Autostart

OFF Turns the Autostart off, disabling the generator and resetting any fault condition.

These keys are also labelled with $\triangle \nabla \triangleright \triangleleft$ symbols, used in the programming of each Autostart (see overleaf). Two front facia LEDs indicate the selected operating mode: green for Auto, amber for Manual.

Control Outputs

Dedicated relay outputs are used for engine fuel and starter motor control. The AS730 has 6 programmable outputs, each of which may be set up for use as one of over 40 function types, e.g. preheat (4 types), engine running, individual faults (e.g. overspeed, overcurrent, start fail, oil pressure, etc.), energised to stop fuel, etc.

Fault Protection and Alarm System

The Autostart 730 has a comprehensive fault detection, warning and automatic response system:-

- Dedicated inputs for low oil pressure and high engine temperature sensors, either switch or analogue type. The use of analogue sensors allows for pre-warning as well as shutdown alarms, and real-time display of oil pressure and engine temperature.
- Three programmable inputs for use with remote fault switches. The inputs can be set to give a warning only, generator load release or shutdown response.
- User set trip levels and response for generator speed/frequency, 3 phase voltage and 3 phase current.



Product Specification

Power supply:

Operating voltage: steady state range	5 – 40 V DC continuous
crank brown-out	to 0 V for $\geq 100\text{ms}$
Current consumption	typically 200 mA

Inputs:

DC inputs:-	
positive input defined as:	80% to 100% of battery +ve
negative input defined as:	-1V to +2V w.r.t. battery -ve
Input 1 (oil pressure) and	switch (open or closed) or analogue
Input 2 (engine temperature)	(Murphy, Datcon, VDO 5 or 7 bar),
	wired to -ve DC
Inputs 3 - 5	switch (open or closed),
	wired to +ve or -ve DC
Generator AC inputs:-	
operating voltage range	90 – 300 V AC rms L-N
gen. frequency measurement range	0 – 99 Hz.
gen. frequency display accuracy	$\leq 2\%$ of full scale
gen. frequency display resolution	1 Hz.
Magnetic pickup:	
operating voltage range	7 – 80 V AC rms
frequency measurement range	0 – 10 kHz.
generator RPM display accuracy	$\leq 2\%$ of full scale
generator RPM display resolution	10 RPM
AC current sensing inputs:	
operating range	designed for use with 5 Amp CT's
	primary ratings 10 to 5000 Amps

Outputs:

Start and fuel relays	SPNO contacts (switched +ve)
	rated 16 A max. @ 24 V DC
Programmable outputs 1 – 3	- ve DC (open collector transistor)
	250 mA max. @ 33 V DC
Programmable output 4	- ve DC (switched relay)
	5 A max. @ 24 V DC
Programmable output 5	+ ve DC (switched relay)
(default setting: Common Alarm)	5 A max. @ 24 V DC
Programmable output 6	volt free SPNO relay
(default setting: Gen. Contactor)	5 A max. @ 240 V AC

Physical:

Overall dimensions (W x H x D)	144 x 96 x 162 mm
Panel cut-out size (W x H)	DIN standard 140 x 92 mm
Weight	approx. 720 g
Operating ambient temperature	-10 to +55 °C

In order to consistently bring you the highest quality, full featured products, we reserve the right to change our specifications and designs at any time.

• Additional fault alarms:-

- Warnings: low and high battery voltage, charge fail and magnetic pickup fault
 Shutdowns: emergency stop, start fail and system fail.

Programmable functions

The AS730 has all the programmable functions found on the Autostart 710 – timers, alarm configurations, trip levels and programmable inputs/outputs – plus the following:-

- Generator under voltage trip, under voltage reset, over voltage trip levels.
- Generator full load current, IDMT response constant and instant trip level.

The Autostart may be programmed by use of the front facia keys: to prevent end-user tampering, entry to program mode is restricted by use of a code number.

The addition of a small RS232 interface allows the AS730 to be connected to a remote (IBM compatible) computer, either directly or over a modem link; Murphy Modem communication software allows a PC operator to program, monitor and control the Autostart from a remote location.

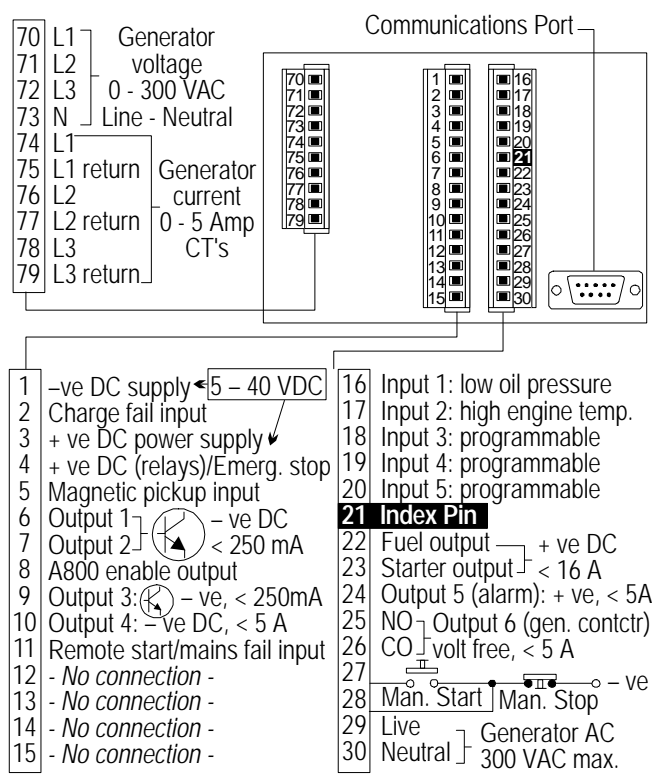
When ordering, please specify:-

- a) Unit type (Autostart 730S)

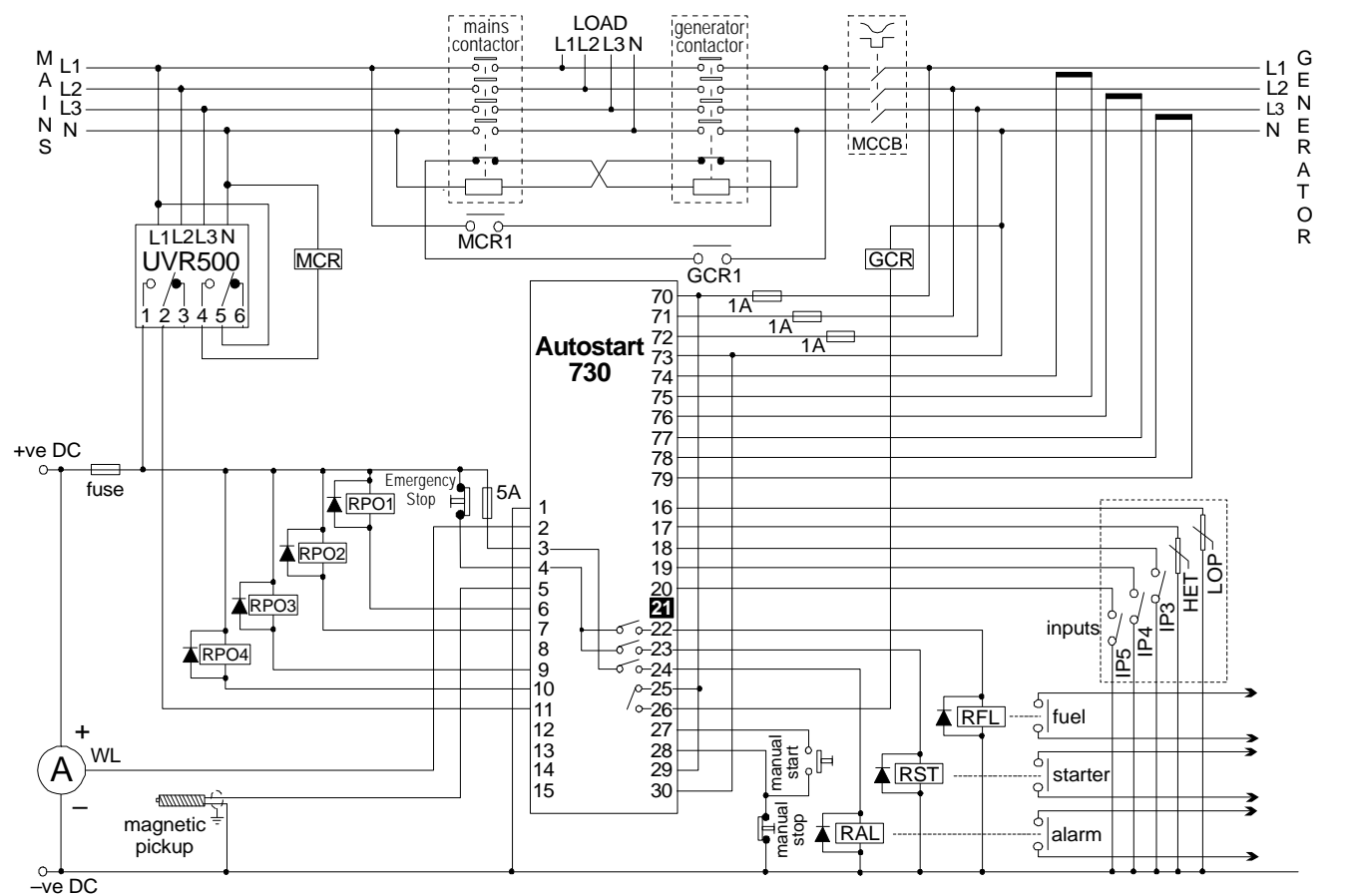
Accessories:-

- AS7CA** 9 way (interface) to 9 way (PC) comms lead
- AS7CB** 9 way (interface) to 25 way (PC) comms lead
- AS7CC** Local communications interface
- AS7CD** Modem communications interface
- AS7CK** AS7xx communication and programming software

Rear Facia & Electrical Connection



Typical Connection



FRANK W. MURPHY
 Since 1939 MFR.
 Frank W. Murphy Manufacturer
 PO Box 470248, Tulsa, Oklahoma 74147, USA
 Tel: + 1 918 627 3550 Fax: + 1 918 664 6146
 email: sales@fwmurphy.com
 web: http://www.fwmurphy.com

Frank W. Murphy Ltd.
 Incorporating Modem Automation
 Church Road, Laverstock, Salisbury U.K.
 Tel: + 44 1722 410055 Fax: + 44 1722 410088
 Pour service en Français, tél: + 44 1722 410697
 email: sales@fwmurphy.co.uk
 web: http://www.fwmurphy.co.uk

Frank W. Murphy Ltd. en France
 Tel: +33 (1) 30 76 26 26 Fax: +33 (1) 30 76 39 89
 Direct usine Tel: + 44 1722 410697
 email: sales@fwmurphy.co.uk
 Frank W. Murphy Pte. Ltd.
 No. 2 Tuas South Street 2, Sprintecs Building
 02-01/02, Singapore 637895
 Tel: + 65 863 1398 Fax: + 65 863 0208
 email: fwm-sales@fwmurphy.com.sg

Frank W. Murphy Southern Division
 PO Box 1819, Rosenberg, Texas 77471, USA
 Tel: + 1 281 342 0297 Fax: + 1 281 341 6006
 email: sales@fwmurphy.com
 Murphy Switch of California
 41343 12th Street West, Palmdale, CA 93551, USA
 Tel: + 1 661 272 4700 Fax: + 1 661 947 7570
 email: sales@murphyswitch.com
 web: http://www.murphyswitch.com

Macquarrie Corporation
 1620 Hume Highway, Campbellfield Vic. 3061 Australia
 Tel: + 61 3 9358 5555 Fax: + 61 3 9358 5558
 email: murphy@macquarrie.com.au
 Murphy de Mexico S.A. de C.V.
 Blvd. Antonio Rocha Cordero 300, Fracción del Aguaje
 San Luis Potosí, S.L.P. México 78384
 Tel: + 52 48 206264 Fax: + 52 48 206336
 email: murmexst@sanluis.podernet.com.mx

Free Manuals Download Website

<http://myh66.com>

<http://usermanuals.us>

<http://www.somanuals.com>

<http://www.4manuals.cc>

<http://www.manual-lib.com>

<http://www.404manual.com>

<http://www.luxmanual.com>

<http://aubethermostatmanual.com>

Golf course search by state

<http://golfingnear.com>

Email search by domain

<http://emailbydomain.com>

Auto manuals search

<http://auto.somanuals.com>

TV manuals search

<http://tv.somanuals.com>