

Lube Level Swichgag[®] instrument



L129 Series

- Check Lube Level Without Shutting Down
- Use On Engines, Pumps, And Compressors
- Combination Indicating Gage with Low and High Limit Switch
- Float Operated

Description

The L129 Series Lube Level Swichgag instrument is a combination lube level indicating gage and adjustable low and high limit switches. It provides protection against low oil level or high level caused by overfill or fuel or water seepage into the crankcase.

A 6-3/4 inch (171 mm) deep sight gauge allows you check the condition and level of your oil without shutting down the equipment.

Fingertip adjustable limit contacts, thru 4-7/8 inch (122 mm) range, make it simple to set high and low limit contacts. If the float touches the high or low limit contact, a normally open circuit will be completed which can activate alarms and/or shutdown the equipment.

There are two models in the L129 Series: L129 and L129CK1. The L129 model is designed for grounded, low voltage electrical systems. It features a one-wire-to-ground electrical circuit. The L129CK1 was designed for applications requiring a three-wire, above ground electrical circuit. It features ungrounded contacts and a conduit hub to protect electrical wiring.

Options are available for both models.

A flow restrictor plug is available that restricts oil flow from the crankcase to the L129 Series switch and vice versa. It is typically used on applications where the engine is not stationary such as marine and mobile equipment.

The L129 Series Lube Level SWICHGAGE[®], when properly installed and maintained, can monitor and protect your engines and pumps from improper lubrication level, which can result in extensive damage.

Applications

The L129 Series is recommended for engines and pumps with larger crankcase capacity. Although designed primarily for stationary engines, the L129 Series is often used in mobile applications such as marine, rail, and some large off-highway trucks.

Specifications

Case: Die Cast Aluminum.

Lens: Tempered Glass.

Maximum Working Pressure:
10 psi (68.9 kPa).

Process Connection: 1/2 NPT.

Float Material: Brass.

Contact Rating: 2 A @ 30 VAC/DC, pilot duty.

Shipping Weight:

L129: 3 lb. (1.4 kg).

L129CK1: 3 lb. 9 oz. (1.6 kg).

Shipping Dimensions (both models):

12 x 4-1/2 x 4-3/4 in. (305 x 114 x 121 mm).

Warranty

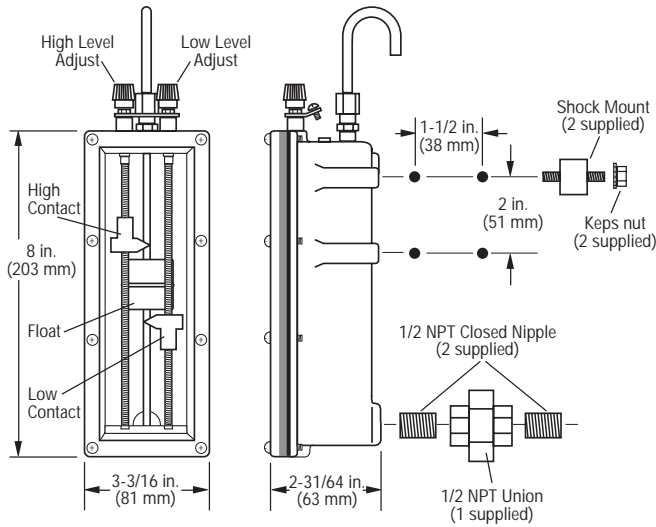
A limited warranty on materials and workmanship is given with this FW Murphy product. A copy of the warranty may be viewed or printed by going to www.fwmurphy.com/support/warranty.htm

* Products covered by this bulletin comply with EMC Council directive 89/336/EEC regarding electromagnetic compatibility except as noted.

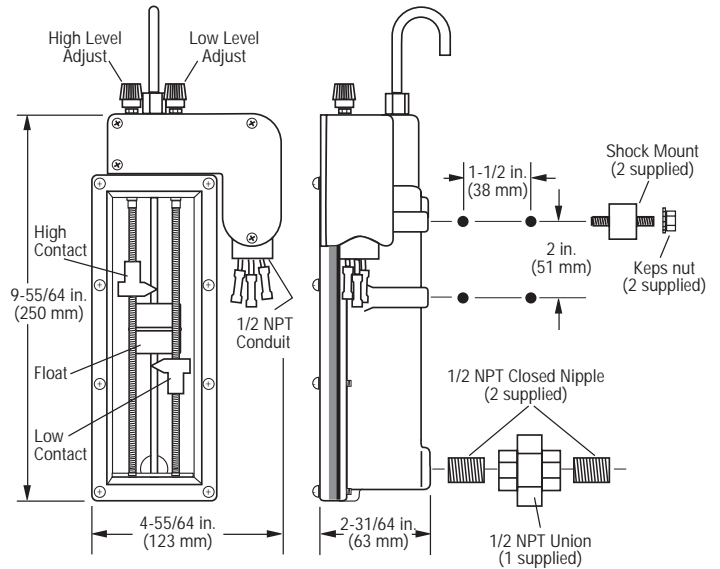


Dimensions

L129

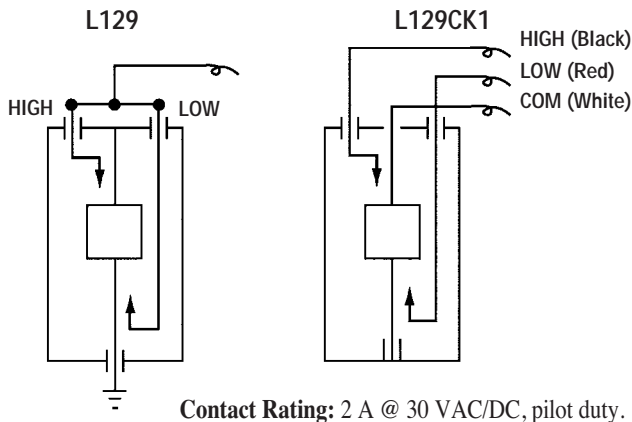


L129CK1



Wiring Diagrams

These diagrams are shown with the float in the "full" position.



Repair Kits

Specify part number.

L129

- 15000888 Full Repair Kit (less castings and glass ass'y) for date code T2 and later.
- 15000480 Bezel, Glass and Gasket Set for date code W7 and later
- 15000485 Glass and Gasket Set for all date codes
- 15050241 Restrictor plug for all date codes

L129CK1

- 15000480 Bezel, Glass and Gasket Set for date code W7 and later
- 15000485 Glass and Gasket Set for all date codes
- 15050241 Restrictor plug for all date codes

MURPHY

www.fwmurphy.com

918.317.4100 Email: sales@fwmurphy.com

In order to consistently bring you the highest quality, full featured products, we reserve the right to change our specifications and designs at any time. MURPHY, the Murphy logo, and Swichgage® are registered and/or common law trademarks of Murphy Industries, Inc. This document, including textual matter and illustrations, is copyright protected by Murphy Industries, Inc., with all rights reserved. (c) 2006 Murphy Industries, Inc.

Free Manuals Download Website

<http://myh66.com>

<http://usermanuals.us>

<http://www.somanuals.com>

<http://www.4manuals.cc>

<http://www.manual-lib.com>

<http://www.404manual.com>

<http://www.luxmanual.com>

<http://aubethermostatmanual.com>

Golf course search by state

<http://golfingnear.com>

Email search by domain

<http://emailbydomain.com>

Auto manuals search

<http://auto.somanuals.com>

TV manuals search

<http://tv.somanuals.com>