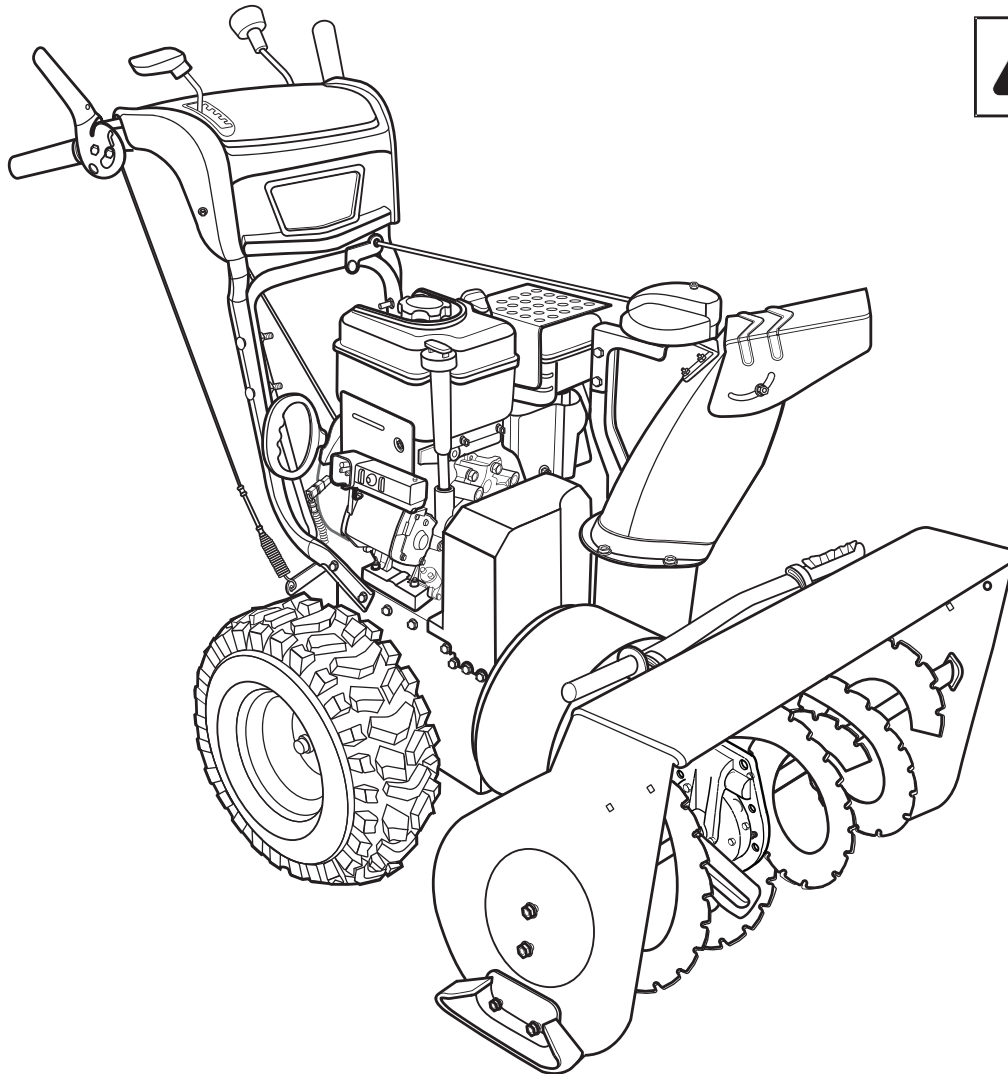




# Operator's Manual



## Walk-Behind Snow Thrower

**Mfg. No.**  
1695722

**Description**  
Dual Stage Snow Thrower, 11.5 TP, 27 Inch

Manual Part No. 1737920  
Revision B  
Rev. Date 04/2009

**Thank you** for purchasing this quality-built BRUTE snow thrower. We're pleased that you've placed your confidence in the Murray brand. When operated and maintained according to the instructions in this manual, your Murray product will provide many years of dependable service.

**This manual contains** safety information to make you aware of the hazards and risks associated with snow throwers and how to avoid them. This snow thrower is designed and intended only for snow throwing and is not intended for any other purpose. It is important that you read and understand these instructions thoroughly before attempting to start or operate this equipment. **This snow thrower requires final assembly before use.** Refer to the Quick Start Guide for instructions on final assembly procedures. Follow the instructions completely. **Save these instructions for future reference.**

### Where to Find Us

You never have to look far to find Briggs & Stratton support and service for your snow thrower. Consult your Yellow Pages. There are over 30,000 Briggs & Stratton authorized service dealers worldwide who provide quality service. You can also contact Briggs and Stratton Customer Service by phone at (800) 528-5087, or on the Internet at [www.murray.com](http://www.murray.com).

### Snow Thrower

Model Number

Revision

Serial Number

### Engine

Model Number

Revision

Serial Number

### Date Purchased

The Illustrated Parts List for this machine can be downloaded from [www.murray.com](http://www.murray.com). Please provide model and serial number when ordering replacement parts.

Briggs & Stratton Power Products Group, LLC  
P.O. Box 702  
Milwaukee, WI 53201-0702  
1-800-528-5087  
[murray.com](http://murray.com)

Copyright © 2009 Briggs & Stratton Power Products Group, LLC  
Milwaukee, WI, All rights reserved.  
Murray is a trademark of Briggs & Stratton Power Products Group, LLC Milwaukee, WI USA.

<b>OPERATOR SAFETY</b> .....	<b>4</b>
<b>FEATURES AND CONTROLS</b> .....	<b>10</b>
<b>OPERATION</b> .....	<b>12</b>
BEFORE OPERATING SNOW THROWER .....	12
CHECK THE TIRES .....	12
OPERATE THE SNOW THROWER .....	13
STOP THE SNOW THROWER .....	13
TRACTION LOCK PINS .....	14
CHECK THE OIL (BEFORE STARTING ENGINE) .....	14
FILL THE FUEL TANK .....	15
START THE ENGINE .....	15
STOP THE ENGINE .....	16
CLEAR A CLOGGED DISCHARGE CHUTE .....	17
OPERATING TIPS .....	17
<b>MAINTENANCE</b> .....	<b>18</b>
SERVICE RECOMMENDATIONS .....	18
AFTER EACH USE .....	18
LUBRICATE AUGER GEAR BOX .....	19
LUBRICATE AUGER SHAFT FITTINGS .....	19
CHECK/LUBRICATE FREE-HAND LINKAGE .....	19
LUBRICATE CHUTE ROTATION GEAR .....	19
ADJUST THE DRAG ON THE CHUTE ROTATION .....	19
ENGINE MAINTENANCE .....	20
CHANGE THE SPARK PLUG .....	21
ADJUST SKID HEIGHT .....	22
BELT ADJUSTMENT .....	23
BELT GUIDE ADJUSTMENT .....	24
CHECK AND ADJUST THE CABLES .....	24
AUGER SHEAR PIN REPLACEMENT .....	26
<b>STORAGE</b> .....	<b>27</b>
OFF SEASON STORAGE .....	27
LUBRICATE HEX SHAFT AND CHAINS .....	27
REMOVE FROM STORAGE .....	27
<b>TROUBLESHOOTING</b> .....	<b>28</b>
<b>WARRANTIES</b> .....	<b>29</b>
<b>SPECIFICATIONS</b> .....	<b>31</b>

# OPERATOR SAFETY

## DANGER - Amputation Hazard







The discharge chute contains a rotating impeller to throw snow. Never clear or unclog the discharge chute with your hands. Fingers can quickly become caught and traumatic amputation or severe laceration will result. Always use a clean-out tool to clear or unclog the discharge chute.

### DANGER

- Hand contact with the rotating impeller inside the discharge chute is the most common cause of injury associated with snow throwers.
- This snow thrower is capable of amputating hands and feet, and throwing objects. Read and observe all the safety instructions in this manual. Failure to do so will result in death or serious injury.

## Safety Alert Symbol and Signal Words

The safety alert symbol  and signal word (DANGER, WARNING, CAUTION, or NOTICE) is used to indicate the likelihood and potential severity of personal injury and/or damage to the product. In addition, a hazard symbol may be used to represent the type of hazard.

-  **DANGER** indicates a hazard which, if not avoided, **will result in death or serious injury**.
-  **WARNING** indicates a hazard which, if not avoided, **could result in death or serious injury**.
-  **CAUTION** indicates a hazard which, if not avoided, **could result in minor or moderate injury**.
- NOTICE** indicates a situation that **could result in damage to the product**.

### WARNING

**U.S.A Models:** Certain components in this product and its related accessories contain chemicals known to the state of California to cause cancer, birth defects, or other reproductive harm. Wash hands after handling.

## Hazard Symbols and Meanings

	Safety Alert – Identifies safety information about hazards that can result in personal injury.		
	Operator's Manual – Read and understand before performing any activity or running snow thrower.		
	Rotating Impeller		Keep a Safe Distance from Snow Thrower
	Rotating Auger		Rotating Gears
	Never Reach into Rotating Parts		Thrown Objects
	Fire		Explosion
	Shock		Toxic Fumes
	Hot Surface		Recommended Ear Protection for Extended Use
	Shut off engine and remove spark plug connector before performing maintenance or repair work.		

### WARNING

**U.S.A. Models:** The engine exhaust from this product contains chemicals known to the State of California to cause cancer, birth defects, or other reproductive harm.

## Control Symbols on Equipment

	Oil		Forward
	Fuel		Neutral
	On Off		Reverse
	Choke Off		
	Choke On		
	Stop		Electric Start - Engage (Down) & Disengage (Up)
	Slow		Engine - Run
	Fast		Engine - Stop
	Traction Control - Engage (Down)		Auger Control - Engage (Down)
	Auger Clutch		Chute Deflector (Up and Down)
	Discharge Chute (Left and Right)		Heated Hand Grips (High and Low)

Easy-Turn™ Traction Control	Free-Hand™ Control

## Read the Manual

	<b>DANGER</b>
	<p>Read, understand, and follow all the instructions on the snow thrower and in the operator's manual before operating this unit.</p> <p>Failure to observe the safety instructions in this manual will result in death or serious injury.</p>
<ul style="list-style-type: none"> <li>• Be thoroughly familiar with the controls and the proper use of the snow thrower.</li> <li>• Make sure you are properly trained before operating the snow thrower.</li> <li>• Know how to stop the unit and disengage the controls quickly.</li> <li>• Never allow anyone to operate the snow thrower without proper instruction.</li> <li>• Always follow the instructions in the operator's manual, if the snow thrower will be stored for an extended period.</li> <li>• Maintain or replace safety and instruction labels as necessary.</li> <li>• Never attempt to make major repairs on the snow thrower unless you have been properly trained. Improper servicing of the snow thrower can result in hazardous operation, equipment damage, and voiding of the product warranty.</li> </ul>	

## Discharge Chute

	<b>DANGER</b>
	<p>Discharge chute contains rotating impeller to throw snow. Never clear or unclog the discharge chute with your hands. Fingers can quickly become caught in the impeller. Always use a clean-out tool.</p> <p>Failure to observe these safety instructions will result in traumatic amputation or severe laceration.</p>
<p><b>TO SAFELY CLEAR A CLOGGED DISCHARGE CHUTE</b></p> <p> <b>DANGER:</b> Hand contact with the rotating impeller inside the discharge chute is the most common cause of injury associated with snow throwers. Never use your hands to clean out the discharge chute.</p> <p><b>FOLLOW THESE INSTRUCTIONS:</b></p> <ol style="list-style-type: none"> <li>1. Shut OFF the engine.</li> <li>2. Wait 10 seconds to be sure the impeller blades have stopped rotating.</li> <li>3. Always use a clean-out tool, not your hands.</li> </ol>	

**NOTE:** Not all control symbols shown on this page will appear on your snow thrower. See **FEATURES AND CONTROLS** section for the applicable symbols.

## Operation and Equipment Safety



### DANGER

This snow thrower is only as safe as the operator. If it is misused, or not properly maintained, it can be dangerous. Remember you are responsible for your safety and that of those around you.

- Keep the area of operation clear of all persons, particularly small children and pets.
- Thoroughly inspect the area where the snow thrower will be used and remove all doormats, sleds, boards, wires, and other foreign objects.
- Do not operate the snow thrower without wearing adequate winter clothing.
- Wear footwear that will improve footing on slippery surfaces.
- Use caution to avoid slipping or falling especially when operating the snow thrower in reverse.
- Never operate the snow thrower without good visibility or light. Always be sure of your footing, and keep a firm hold on the handles.
- Do not clear snow across the face of slopes. Use extreme caution when changing direction on slopes. Do not attempt to clear steep slopes.
- Do not overload the machine capacity by attempting to clear snow too quickly.
- Never operate the snow thrower at high transport speeds on slippery surfaces. Look behind the snow thrower and use care when operating in reverse.
- Do not use the snow thrower on surfaces above ground level such as roofs of residences, garages, porches, or other such structures or buildings.
- Operators should evaluate their ability to operate the snow thrower safely enough to protect themselves and others from injury.
- The snow thrower is intended to remove snow only. Do not use the snow thrower for any other purpose.
- Do not carry passengers.
- After striking a foreign object, shut OFF the engine, disconnect the cord on electric motors, thoroughly inspect the snow thrower for any damage, and repair the damage before restarting and operating the snow thrower.
- If the snow thrower vibrates abnormally, shut OFF the engine. Vibration is generally a warning of trouble. See an authorized dealer if necessary for repairs.
- For models equipped with electric starting motors, disconnect the power cord after the engine starts.

## Fuel Handling



### DANGER

Fuel and its vapors are extremely flammable and explosive. Always handle fuel with extreme care. Failure to observe these safety instructions can cause a fire or explosion which will result in severe burns or death.

#### WHEN ADDING FUEL

- Turn off engine and let cool at least 2 minutes before removing the fuel cap and adding fuel.
- Fill fuel tank outdoors or in a well ventilated area.
- Do not overfill the fuel tank. To allow for the expansion of gasoline, do not fill above the bottom of the fuel tank neck.
- Keep fuel away from sparks, open flames, pilot lights, heat, and other ignition sources.
- Check fuel lines, cap, and fittings frequently for cracks or leaks. Replace if necessary.
- Use an approved fuel container.
- If fuel spills, wait until it evaporates before starting engine.

#### WHEN STARTING ENGINE

- Ensure that spark plug, muffler, fuel cap, and air cleaner (if equipped) are in place and secured.
- Do not crank the engine with the spark plug removed.
- If fuel is spilled, do not attempt to start the engine, but move the snow thrower away from the area of the spill, and avoid creating any source of ignition, until the fuel vapors have dissipated.
- Do not over-prime the engine. Follow the engine starting instructions in this manual.
- If the engine floods, set choke (if equipped) to OPEN/RUN position, move throttle (if equipped) to FAST position and crank until engine starts.

#### WHEN OPERATING EQUIPMENT

- Do not tip the snow thrower at an angle which causes the fuel to spill.
- Do not choke the carburetor to stop the engine.
- Never run the engine with the air cleaner assembly (if equipped) or the air filter (if equipped) removed.

#### WHEN CHANGING OIL

- If you drain the oil from the top oil fill tube, the fuel tank must be empty or fuel can leak out and result in a fire or explosion.

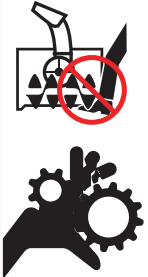
#### WHEN TRANSPORTING EQUIPMENT

- Transport with fuel tank EMPTY, or with fuel shut-off valve OFF.


#### WHEN STORING GASOLINE OR EQUIPMENT WITH FUEL IN TANK

- Store away from furnaces, stoves, water heaters, or other appliances that have pilot light or other ignition source because they can ignite fuel vapors.

## Moving Parts

	<p align="center"><b>⚠ DANGER</b></p> <p>Keep hands, feet, and clothing away from rotating parts. Rotating parts can contact or entangle hands, feet, hair, clothing, or accessories.</p> <p>Failure to observe these safety instructions will result in traumatic amputation or severe laceration.</p>
<ul style="list-style-type: none"> <li>• Whenever cleaning, repairing, or inspecting the snow thrower, make sure the engine is OFF, spark plug wire is disconnected, and all moving parts have stopped.</li> <li>• Do not put hands or feet near or under rotating parts. Keep clear of the discharge opening at all times.</li> <li>• Never operate the snow thrower without proper guards, and other safety devices in place and working.</li> <li>• Never leave the snow thrower unattended while engine is running. Always disengage the auger and traction controls, stop engine, and remove keys.</li> <li>• Keep all loose clothing away from the front of the snow thrower and auger. Scarves, mittens, dangling drawstrings, loose clothes, and pants can quickly become caught in the rotating device and amputation will occur. Tie up long hair and remove jewelry.</li> <li>• Run the machine a few minutes after discharging snow to prevent freeze-up of the collector/impeller.</li> <li>• Disengage power to the collector/impeller when snow thrower is transported or not in use.</li> </ul>	


## Thrown Objects


	<p align="center"><b>⚠ DANGER</b></p> <p>Objects can be picked up by auger and thrown from chute. Never discharge snow toward bystanders or allow anyone in front of the snow thrower. Failure to observe these safety instructions will result in death or serious injury.</p>
<ul style="list-style-type: none"> <li>• Always wear safety glasses or eye shields while during operation, and while performing an adjustment or repair.</li> <li>• Always be aware of the direction the snow is being thrown. Nearby pedestrians, pets, or property may be harmed by objects being thrown.</li> <li>• Be aware of your environment while operating the snow thrower. Running over items such as, gravel, doormats, newspapers, toys, and rocks hidden under snow, can all be thrown from the chute or jam in the auger.</li> <li>• Use extreme caution when operating on or crossing gravel drives, walks, or roads.</li> <li>• Adjust the collector housing height to clear gravel or crushed rock surface.</li> <li>• Never operate the snow thrower near glass enclosures, automobiles, window wells, drop-offs, and the like without proper adjustment of the discharge chute angle.</li> <li>• Familiarize yourself with the area in which you plan to operate the snow thrower. Mark off boundaries of walkways and driveways.</li> </ul>	

## Children

	<p align="center"><b>⚠ DANGER</b></p> <p>Tragic accidents can occur if the operator is not alert to the presence of children. Children are often attracted to the unit and the operating activity. Never assume that children will remain where you last saw them.</p>
<ul style="list-style-type: none"> <li>• Keep children out of the area during operation. Children are often attracted to the equipment. Be mindful of all persons present.</li> <li>• Be alert and turn unit off if children enter the area.</li> <li>• Never allow children to operate the unit.</li> <li>• Use extra care when approaching blind corners, shrubs, trees, or other objects that may obscure vision. Children may be present.</li> </ul>	



## Engine Safety



	<p align="center"><b>⚠ DANGER</b></p> <p>Safe operation of the snow thrower requires the proper care and maintenance of the engine. Failure to observe the safety instructions in this manual will result in death or serious injury.</p>
<ul style="list-style-type: none"> <li>• Disengage all clutches and shift into neutral before starting the engine.</li> <li>• Let the engine adjust to outdoor temperatures before starting to clear snow.</li> <li>• Use a grounded three-wire plug-in for all snow throwers equipped with electric drive motors or electric starting motors.</li> </ul>	

	<p align="center"><b>⚠ DANGER</b></p> <p>Engines give off carbon monoxide, an odorless, colorless, poison gas. Breathing carbon monoxide can cause nausea, fainting, or death.</p>
<ul style="list-style-type: none"> <li>• Start and run engine outdoors.</li> <li>• Do not run the engine in an enclosed area, even if doors or windows are open.</li> </ul>	



# OPERATOR SAFETY

## Engine Safety (Continued)

	 <b>WARNING</b>
	<p>Starting engine creates sparking. Sparking can ignite nearby flammable gases. Explosion and fire could result.</p>
<ul style="list-style-type: none"> <li>• If there is natural or LP gas leakage in area, do not start engine.</li> <li>• Do not use pressurized starting fluids because vapors are flammable.</li> </ul>	

	 <b>WARNING</b>
	<p>Running the engine produces heat. Engine parts, especially muffler, become extremely hot. Failure to observe these safety instructions could result in severe thermal burns on contact.</p>
<ul style="list-style-type: none"> <li>• Never touch a hot engine or muffler. Allow muffler, engine cylinder, and fins to cool before touching.</li> <li>• Remove debris from muffler area and cylinder area.</li> <li>• Install and maintain in working order a spark arrester before using equipment on forest-covered, grass-covered, or brush-covered unimproved land.</li> <li>• <b>Domestic Models:</b> It is a violation of California Public Resource Code Section 4442 to use or operate the engine on or near any forest-covered, brush-covered, or grass-covered land unless the exhaust system is equipped with a spark arrester meeting any applicable local or state laws. Other states or federal areas may have similar laws.</li> </ul>	

## Maintenance and Storage

	 <b>WARNING</b>
	<p>This snow thrower must be properly maintained to ensure safe operation and performance. Failure to observe the safety instructions in this manual could result in death or serious injury.</p>
<ul style="list-style-type: none"> <li>• When performing any maintenance or repairs on the snow thrower, shut OFF the engine, disconnect spark plug wire, and keep the wire away from the plug to prevent someone from accidentally starting the engine.</li> <li>• Check shear bolts and other hardware at frequent intervals for proper tightness to be sure the snow thrower is in safe working condition.</li> <li>• Keep nuts and bolts tight and keep snow thrower in good condition.</li> <li>• Never tamper with safety devices. Check their proper operation regularly and make necessary repairs if they are not functioning properly.</li> <li>• Components are subject to wear, damage, and deterioration. Frequently check components and replace with recommended parts, when necessary.</li> <li>• Check control operation frequently. Adjust and service as required.</li> <li>• Use only factory authorized replacement parts when making repairs.</li> <li>• Always comply with factory specifications on all settings and adjustments.</li> <li>• Only authorized service locations should be utilized for major service and repair requirements.</li> <li>• Use only attachments and accessories approved by the factory (such as wheel weights, counterweights, or cabs).</li> <li>• Never attempt to make any adjustments while the engine is running (except when specifically recommended by the factory).</li> </ul>	



**!** Look for this symbol to indicate important safety precautions. This symbol indicates: "Attention! Become Alert! Your Safety Is At Risk."

**!** **WARNING:** If any safety decals become worn or damaged and cannot be read, order replacement decals from your local dealer.

Before operating your snow thrower, read the safety decals as shown on your snow thrower. The cautions and warnings are for your safety. To avoid a personal injury or damage to your snow thrower, understand and follow all the safety decals.

**6** Part No. 1736616  
**Shift Decal**

**5**

**4**

**3**

**2** Part No. 1737870  
**Traction Control Decal**

**1**

**R1** Part No. 1737869  
**Auger Control Decal**

**R2**

**Part No. 1737876**  
**Main Dash Decal**

**Engine Decals**

**Part No. 278297**

**Part No. 277953**  
**Product ID Number & Serial Number Decal (Rear of Motor Box)**

**Part No. 1737865**  
**Chute Danger Decal**

**Part No. 1737866**  
**Auger Danger Decal**

**DANGER**  
**Amputation hazard**  
Contact with moving parts inside chute will cause serious injury.  
• Shut off engine before unlogging discharge chute.  
• Use clean-out tool, not hands!

**Risque d'amputation**  
Tout contact avec des pièces en mouvement à l'intérieur de la goulotte provoquera de graves blessures.  
• Arrêter le moteur avant de déloger la goulotte d'éjection.  
• Utiliser l'outil de délogement, pas les mains!

**DANGER**  
**Amputation Hazard**  
• Contact with auger will cause serious injury.  
• Keep hands, feet and clothing away.  
• Keep bystanders away.

**Risque d'amputation**  
• Tout contact avec la tarière provoquera de graves blessures.  
• Tenir vos pieds, vos mains et vêtements à distance.  
• Tenir les spectateurs à distance.

**Danger objets projetés**  
• Ne jamais diriger la chute en direction des personnes ou biens matériels.

**Read the operator's manual for operating and safety instructions.**

**Lisez les consignes de sécurité et d'utilisation dans le manuel d'utilisation.**

**Shut off engine and remove key before performing maintenance or repair work.**

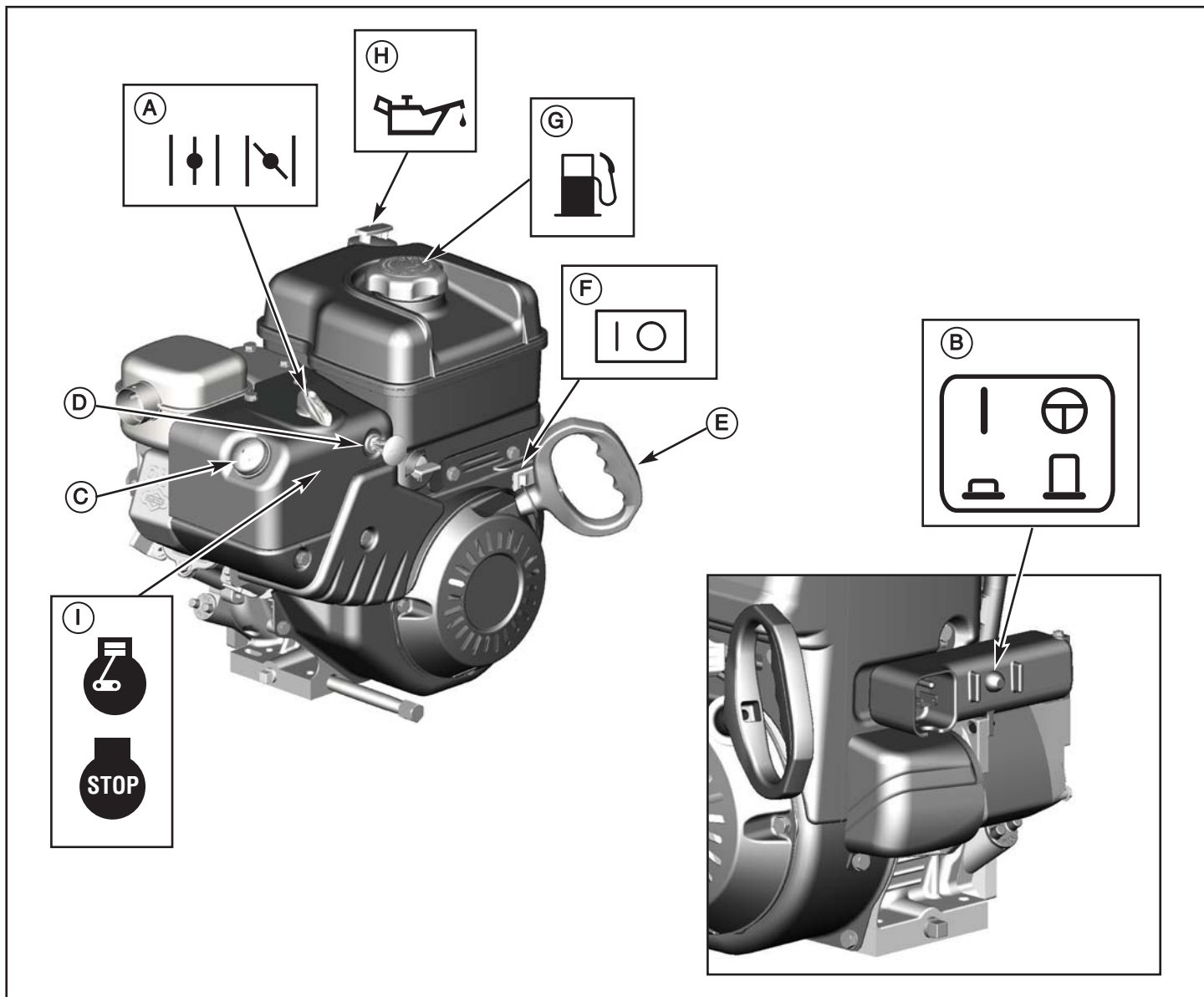
**Arrêter le moteur et retirer la clé avant d'effectuer tout entretien ou toute réparation.**

Safety Decals

Figure 1

## FEATURES AND CONTROLS

**NOTICE:** Read this OPERATOR'S MANUAL and OPERATOR SAFETY before operating your snow thrower. Compare the illustrations with your SNOW THROWER to familiarize yourself with the location of various controls and adjustments. Save this manual for future reference.



Engine Controls

Figure 2

### ENGINE AND SNOW THROWER CONTROLS

#### ENGINE CONTROLS

- A. Choke Control** — Used to start a cold engine (see Figure 2).
- B. Electric Start Button** — Used to start the engine using the electric starter.
- C. Primer Button** — Used to inject fuel directly into the carburetor manifold to ensure fast starts in cool weather.
- D. Safety Key** — Must be inserted to start engine. Pull out to stop. Do not turn safety key.
- E. Starter Handle** — Starts the engine manually.
- F. ON/OFF Switch**

- G. Fuel Tank and Cap**

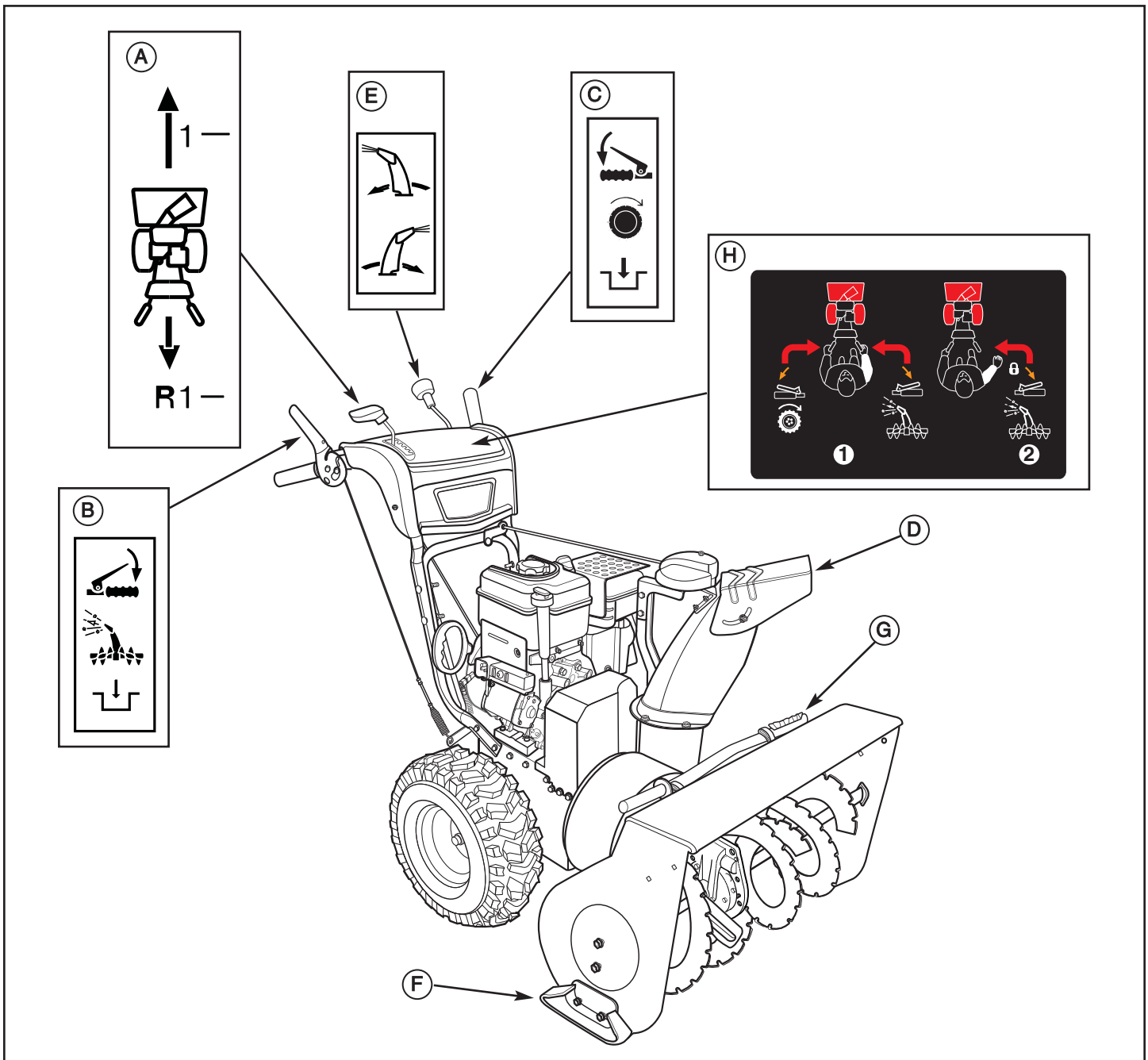
- H. Oil Fill Cap**

- I. Engine Run/Stop (symbol location)**

#### SNOW THROWER CONTROLS

- A. Speed Select Lever** — Allows the operator to use one of six (6) forward and two (2) reverse speeds (see Figure 3). To shift, move speed select lever to desired position.

**NOTICE:** Do not move speed select lever while Traction Drive Clutch is engaged. This may result in severe damage to drive system.



Snow Thrower Controls

Figure 3

- B. Auger Drive Clutch Lever** — Used to engage and disengage the auger and impeller. To engage push down, to disengage release.
- C. Traction Drive Clutch Lever** — Used to propel snow thrower forward or reverse. Push down to engage, release to disengage.
- D. Snow Chute Deflector** — Used to change the direction the snow is thrown.
- E. Crank** — Used to change direction of the snow discharge. Turn handle clockwise to turn chute to right. Turn handle counterclockwise to turn chute to left.

- F. Skid Shoe** — Used to adjust ground clearance of auger housing.
- G. Clean-Out Tool** — Used to remove snow and debris from the discharge chute and the auger housing.
- H. Free-Hand™ Control** — After engaging the traction control (left hand) and auger control (right hand), allows the operator to release the auger control lever to use the other controls.

## OPERATION

### BEFORE OPERATING SNOW THROWER

- Check the fasteners. Make sure all fasteners are tight.
- On electric start models, the unit was shipped with the starter cord plugged into the engine. Before operating, unplug the starter cord from the engine.

**NOTE:** This snow thrower was shipped WITH OIL in the engine. See “Before Starting Engine” instructions in the OPERATION section of this manual before starting engine.

### CHECK THE TIRES

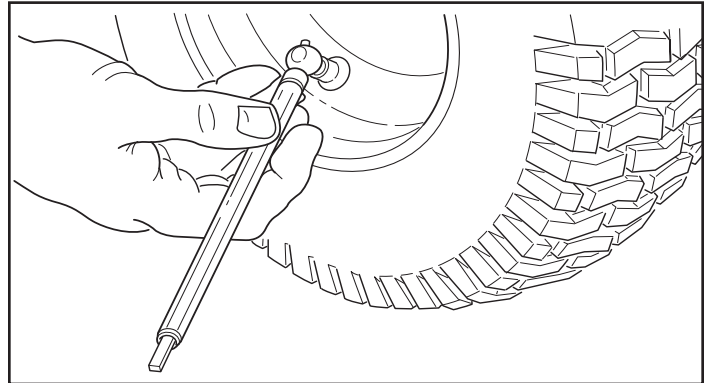
Check tires for damage. Check the air pressure in the tires with an accurate gauge (see Figure 4).



**CAUTION: Avoid Injury! Explosive separation of tire and rim parts is possible when they are serviced incorrectly.**

- Do not attempt to mount a tire without the proper equipment and experience to perform the job.
- Do not inflate the tires above the recommended pressure.
- Do not weld or heat a wheel and tire assembly. Heat can cause an increase in air pressure resulting in an explosion. Welding can structurally weaken or deform the wheel.
- Do not stand in front or over the tire assembly when inflating. Use appropriate tool that allows you to stand to one side.

**NOTICE:** Check side of tire for maximum tire pressure. DO NOT exceed maximum.



Checking Tire Air Pressure

**Figure 4**

**WARNING:** The operation of any snow thrower can result in foreign objects being thrown into the eyes, which can result in severe eye damage. Always wear safety glasses or eye shields before beginning snow thrower operation. We recommend standard safety glasses or Wide Vision Safety Mask over spectacles.

## OPERATE THE SNOW THROWER

**CAUTION:** Operation with a Snow Cab. Wind may blow exhaust gasses back towards the operator. If you notice the smell of exhaust, change direction of operation.

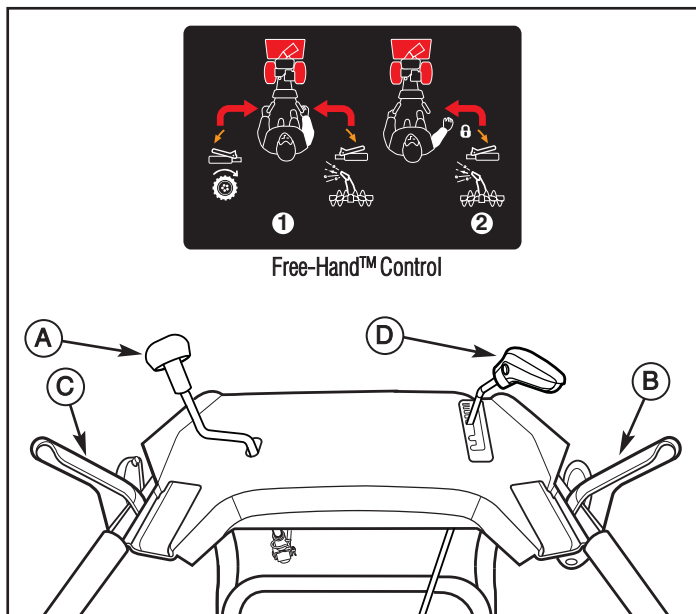
The most effective use of the snow thrower will be established by experience, taking into consideration the terrain, wind conditions, and building location which will determine the direction of the discharge chute.

**NOTICE:** Do not throw snow toward a building as hidden objects could be thrown with sufficient force to cause damage.

1. Start the engine. See "To Start Engine" in this section.
2. Rotate the crank (A, Figure 5) to set the direction (left or right) of the discharge chute.

**CAUTION:** Before operating, make sure the area in front of the snow thrower is clear of bystanders or obstacles.

3. Fully press and hold the auger engage control (B) on the right-hand grip to begin auger rotation. Releasing the auger engage control will disengage the auger - unless the Free-Hand™ Control has been activated.



Control Levers

Figure 5

4. Fully press and hold the traction and Free-Hand™ Control lever (C) on the left-hand grip to engage the traction drive and begin moving the snow thrower. To disengage the traction drive, completely release the lever.
5. When BOTH levers are depressed, the Free-Hand™ Control is activated. This allows auger engage control to be released - YET AUGER ROTATION WILL CONTINUE - until the Free-Hand™ Control is released.

**NOTE:** Always release the traction control lever before moving the speed select lever.

6. Use the speed select lever (D) to select the forward drive speed. Set the speed select lever to one of the following positions as determined by snow conditions:
  - 1-2 Wet, Heavy, Slushy, Extra Deep
  - 3 Moderate
  - 4-5 Very Light
  - 6 Transport

**NOTE:** When clearing wet, heavy, snow, it is recommended that the ground speed of the unit be reduced, maintain full throttle, and do not attempt to clear the full width of the unit.

7. To stop moving forward, release the traction control lever (C).
8. To move the snow thrower backwards, move the speed select lever into either first or second reverse position and engage the traction control lever.

## STOP THE SNOW THROWER

1. Release the auger engage control (B, Figure 5).
2. Release the traction control lever (C).
3. Push the ON/OFF switch (A, Figure 12) to the OFF position and pull out the safety key (B).

**WARNING:** Read Operator's Manual before operating machine. This machine can be dangerous if used carelessly.

- Never operate the snow thrower without all guards, covers, shields in place.
- Never direct discharge towards windows or allow bystanders near machine while engine is running.
- Stop the engine whenever leaving the operating position.
- Disconnect spark plug before unclogging the impeller housing or the discharge chute and before making repairs or adjustments.
- When leaving the machine, remove the safety key. To reduce the risk of fire, keep the machine clean and free from spilled gas, oil, and debris.

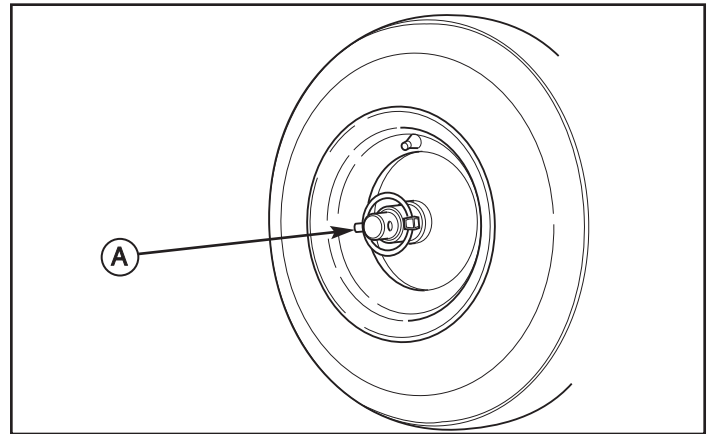
**WARNING:** Never run engine indoors or in an enclosed, poor ventilated area. Engine exhaust contains CARBON MONOXIDE, an ODORLESS and DEADLY GAS.

- Keep hands, feet, hair, and loose clothing away from any moving parts on engine and snow thrower.
- Temperature of muffler and nearby areas can exceed 150°F (66°C). Avoid these areas.
- DO NOT allow children or young teenagers to operate or be near snow thrower while it is operating.

## OPERATION

### TRACTION LOCK PINS

The right traction wheel can be completely released using the locking pin (A, Figure 6). This allows the unit to be easily moved with the engine off.



Traction Lock Pins

Figure 6

### CHECK THE OIL (BEFORE STARTING ENGINE)

**NOTE: The engine was shipped from the factory filled with oil. Check the level of the oil. Add oil as needed.**

1. Make sure the unit is level. Use a high quality detergent oil classified "For Service SG, SH, SJ, SL, or higher".
2. Remove the oil fill cap/dipstick (A, Figure 7) and wipe with a clean cloth.
3. Insert the oil fill cap/dipstick and turn clockwise to tighten.
4. Remove the oil fill cap/dipstick and check the oil.

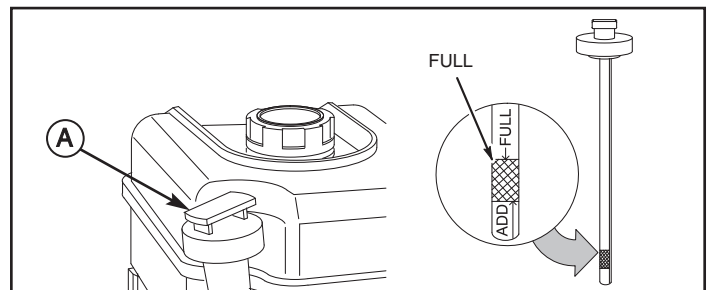
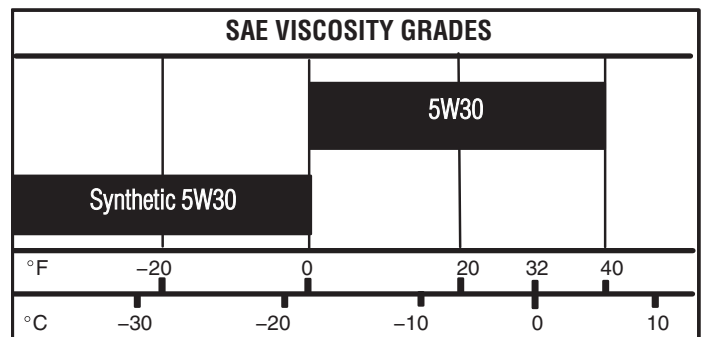
**NOTE: Do not check the level of the oil while the engine runs.**

5. If necessary, add oil until the oil reaches the FULL mark on the oil fill cap/dipstick. Do not add too much oil.
6. Tighten the oil fill cap/dipstick securely each time you check the oil level.

**NOTE: For extreme cold operating conditions of 0°F (-18°C) and below, use a synthetic 5W30 motor oil for easier starting.**

**NOTE: S.A.E. 5W30 motor oil may be used to make starting easier in areas where the temperature is 20°F (-7°C) to 0°F (-18°C). Synthetic 5W30 is acceptable for all temperatures. DO NOT mix oil with gasoline. See Chart for oil recommendations.**

TEMPERATURE	TYPE OF OIL
0°F (-18°C) and above	S.A.E. 5W30
0°F (-18°C) and below	Synthetic 5W30



Checking the Oil

Figure 7

## FILL THE FUEL TANK

This engine is certified to operate on gasoline. Exhaust Emission Control System: EM (Engine Modifications).

Fill the fuel tank with fresh, clean, unleaded regular, unleaded premium, or re-formulated automotive gasoline with a minimum of 85 octane along with a fuel stabilizer (follow instructions on fuel stabilizer package). **DO NOT** use leaded gasoline. We recommend that fuel stabilizer be added to the fuel each time that gasoline is added to the fuel tank.

**NOTE: Winter grade gasoline has higher volatility to improve starting. Be certain container is clean and free from rust or other foreign particles. Never use gasoline that may be stale from long periods of storage in the container.**

**CAUTION: DO NOT use gasoline containing any amount of alcohol as it can cause serious damage to the engine or significantly reduce the performance.**

**WARNING: Gasoline is flammable. Always use caution when handling or storing gasoline. Turn engine off and let engine cool at least two minutes before removing the gas cap. Do not add gasoline to the fuel tank while snow thrower is running, hot, or when snow thrower is in an enclosed area. Keep away from open flame, electrical sparks and DO NOT SMOKE while filling the fuel tank. Never fill the fuel tank completely; but fill the fuel tank to within 1-1/2 inches (3.8 mm) from the top to provide space for the expansion of the fuel. Always fill fuel tank outdoors and use a funnel or spout to prevent spilling. Make sure to wipe up any spilled fuel before starting the engine.**

Store gasoline in a clean, approved container, and keep the cap in place on the container. Keep gasoline in a cool well ventilated place; never in the house. Never buy more than a 30 day supply of gasoline to assure volatility. Gasoline is intended to be used as a fuel for internal combustion engines; therefore, do not use gasoline for any other purpose. Since many children like the smell of gasoline, keep it out of their reach because the fumes are dangerous to inhale, as well as being explosive.

## START THE ENGINE

Be sure that engine oil is at FULL mark on the oil fill cap/dipstick. The snow thrower engine is equipped with an A.C. electric starter and recoil starter. Before starting the engine, be certain that you have read the following information.

If engine floods, set the choke to the OPEN/RUN position and crank until the engine starts.

**WARNING: The electric starter is equipped with a three-wire power cord and plug designed to operate on AC house hold current. The power cord must be properly grounded at all times to avoid the possibility of electric shock which can cause injury to the operator. Follow all instructions carefully as set forth:**

**Make sure your house has a three-wire grounded system.**

**If you are not sure, ask a licensed electrician. If your house does not have a three-wire grounded system, do not use this electric starter under any condition.**

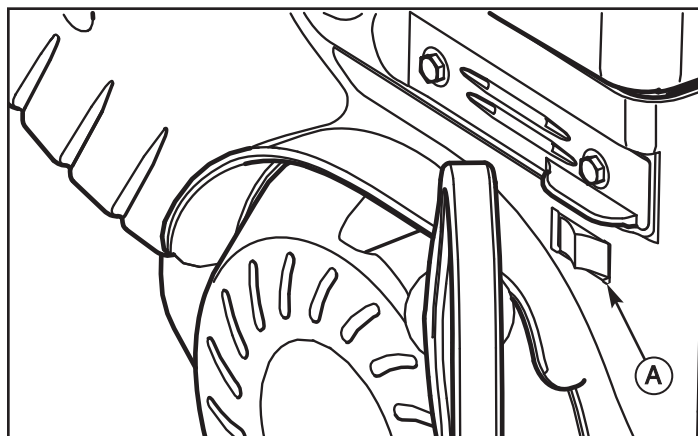
**If your house has a three-wire grounded system but a three-hole receptacle is not available to connect the electric starter, have a three-hole receptacle installed by a licensed electrician.**

**WARNING: To connect power cord, always connect the power cord first to the switch box located on the engine and then plug the other end into a three-hole grounded receptacle.**

**WARNING: To disconnect the power cord, always unplug the end connected to the three-hole grounded receptacle first.**

### Start the engine as follows:

1. Check the oil level. See the "Check/Add Oil" section in the ENGINE MANUAL.
2. Make sure equipment drive controls are disengaged.
3. Push the ON /OFF switch (A, Figure 8) to the ON position.



Starting Engine

**Figure 8**

4. Insert the safety key (A, Figure 9) into the safety key slot and push fully in to the RUN position.
5. Turn the choke knob (B) fully clockwise if engine is cold.

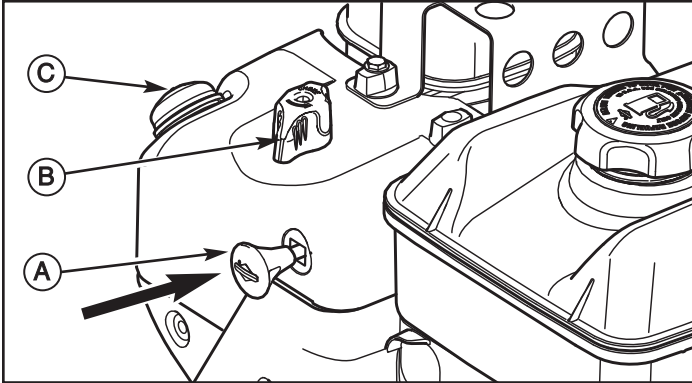
**NOTE: Do not use the choke to start a warm engine.**

6. Push the primer button (C) two times.

**NOTE: Do not use the primer to start a warm engine.**

**NOTE: Ensure that electric extension cord is removed from the power receptacle.**

## OPERATION



Inserting Safety Key

Figure 9

7. **Rewind Start:** Firmly hold the starter cord handle (A, Figure 10). Pull the starter cord handle slowly until resistance is felt, then pull rapidly.

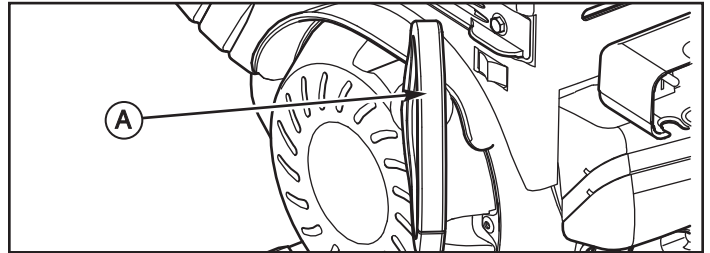
**WARNING:** Rapid retraction of the starter cord (kickback) will pull your hand and arm toward the engine faster than you can let go. Broken bones, fractures, bruises, or sprains could result. When starting engine, pull the starter cord slowly until resistance is felt and then pull rapidly to avoid kickback.

**NOTE:** If the engine does not start after three attempts, see the Engine Manual Troubleshooting section.

8. **Electric Start:** First connect the extension cord to the power cord receptacle and then into a wall receptacle. If additional extension cord is required, make sure it is three-wire.

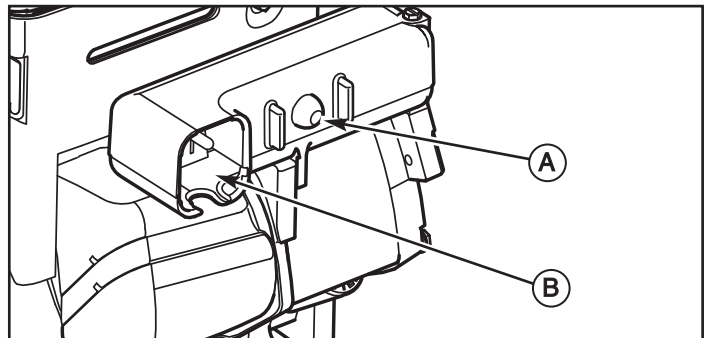
**WARNING:** If the extension cord is damaged, it must be replaced by the manufacturer (or its service agent) or a similarly qualified person to avoid a hazard.

9. **Electric Start:** Depress the starter push button (A, Figure 11). After you start the engine, first disconnect the extension cord from the wall receptacle and then from the power cord receptacle (B).



Starting with Cord Handle

Figure 10



Starting with Electric Start

Figure 11

**IMPORTANT:** To extend the life of the starter, use short starting cycles (five seconds maximum). Wait one minute between starting cycles.

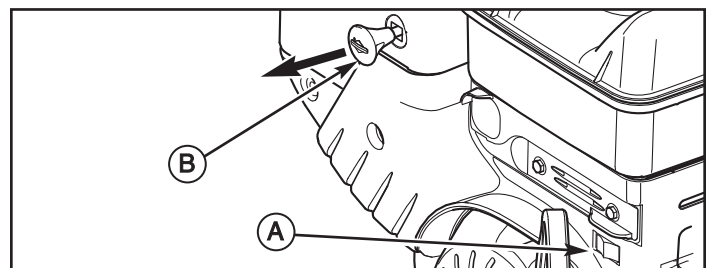
**NOTE:** If the engine does not start after three attempts, see the Engine Manual Troubleshooting section.

## STOP THE ENGINE

Before stopping the engine for a few minutes to help dry off any moisture on the engine.

**WARNING:** Gasoline and vapors are extremely flammable and explosive. Fire or explosion can cause severe burns or death. DO NOT choke the carburetor to stop the engine.

1. Push the ON/OFF switch (A, Figure 12) to the OFF position.
2. Remove the safety key (B). Keep the safety key out of the reach of children.



Stopping Engine

Figure 12

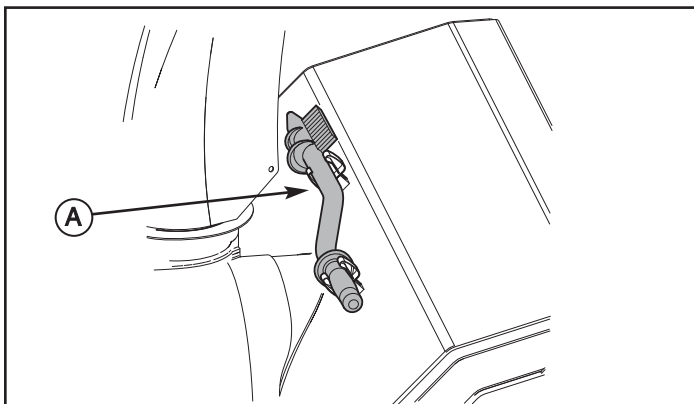


## CLEAR A CLOGGED DISCHARGE CHUTE

**! DANGER: Hand contact with the rotating impeller inside the discharge chute is the most common cause of injury associated with snow throwers. Never clear or unclog discharge chute with your hands, or while engine is running. Fingers can quickly become caught and traumatic amputation or severe laceration can result.**

- SHUT OFF THE ENGINE!
- Wait 10 seconds to be sure that the impeller blades have stopped rotating.
- Always use a clean-out tool, not your hands.

A clean-out tool (A, Figure 13) is attached to either the handle or the top of the auger housing. Use the clean-out tool to remove snow from the auger housing.



Clean-Out Tool

Figure 13

## OPERATING TIPS

1. Most efficient snowthrowing is accomplished when snow is removed immediately after it falls.
2. For complete snow removal, slightly overlap each swath previously taken.
3. Snow should be discharged downwind whenever possible.
4. For normal usage, set the skids 1/8 inch (3 mm) below the scraper bar. For extremely hard-packed snow surfaces, the skids may be adjusted upward to ensure cleaning efficiency.
5. On gravel or crushed rock surfaces, the skids should be set at 1-1/4 inch (32 mm) below the scraper bar (see "Adjust Skid Height" in the MAINTENANCE section of this manual). Rocks and gravel must not be picked up and thrown by the machine.
6. After the snowthrowing job has been completed, allow the engine to idle for a few minutes, to melt snow and ice accumulated on the engine.
7. Clean the snow thrower thoroughly after each use.
8. Remove ice and snow accumulation and all debris from the entire snow thrower, and flush with water (if possible) to remove all salt or other chemicals. Wipe snow thrower dry.
9. Before starting snow thrower, always inspect augers and impeller for ice accumulation and/or debris, which could result in snow thrower damage.
10. Check oil level before every start. Make sure the oil is at the FULL mark on the oil fill cap/dipstick.

# MAINTENANCE

SERVICE RECOMMENDATIONS									
PROCEDURE		FIRST 2 HOURS	BEFORE EACH USE	OFTEN	EVERY 5 HOURS	EVERY 10 HOURS	EVERY 25 HOURS	BEGINNING EACH SEASON	BEFORE STORAGE
SNOW THROWER	Tighten all Screws and Nuts	✓		✓				✓	
	Check Traction Clutch Cable Adjustment (See Cable Adjustment)	✓						✓	
	Check Auger Clutch Cable Adjustment (See Cable Adjustment)	✓				✓		✓	
	Adjust Drive Belts	✓					✓	✓	
	Lubricate Chains and Hex Shaft							✓	✓
	Lubricate Auger Shaft (See Shear Pin Replacement)					✓			✓
	Lubricate Free-Hand Linkage	✓				✓		✓	
ENGINE	Oil, Check		✓		✓			✓	
	Oil, Change	✓					✓	✓	

**NOTE: The warranty on this snow thrower does not cover items that have been subjected to operator abuse or negligence. To receive full value from the warranty, operator must maintain snow thrower as instructed in this manual.**

The above **Service Recommendations** are supplied to assist the operator to properly maintain the snow thrower. This is a check list only. Adjustment referred to will be found in the MAINTENANCE section of this manual.

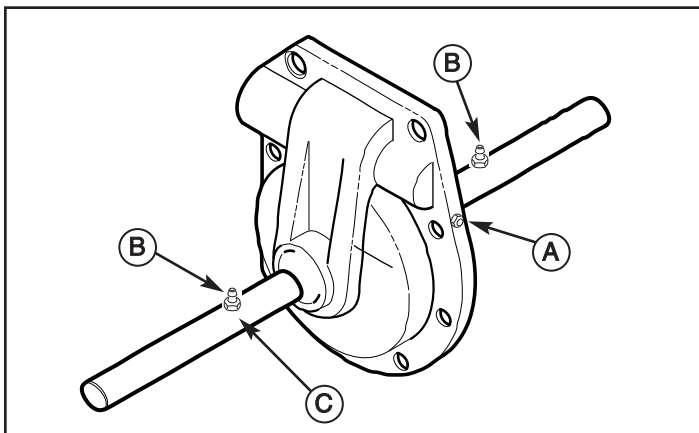
## AFTER EACH USE

1. Check for any loose or damaged parts.
2. Tighten any loose fasteners.
3. Check and maintain the auger.
4. After each use, remove all snow and slush off the snow thrower to prevent freezing of auger or controls.
5. Check controls to make sure they are functioning properly.
6. If any parts are worn or damaged, replace immediately.

**LUBRICATE AUGER GEAR BOX**

The auger gear box is lubricated at the factory and should not require additional lubrication. If for some reason the lubricant should leak out, or if the auger gear box has been serviced, add Lubriplate GR132 Grease or equivalent. Maximum 3-1/4 ounces, (92 grams) should be used.

Remove filler plug (A, Figure 14), once a year. If grease is visible, do not add. If grease is not visible, use a piece of fine wire, like a dipstick to check if there is grease in the gear box. Mobilux EP1 and Shell Alvania EP1 are suitable equivalents.



Lubricating Auger Gear Box

**Figure 14**

**LUBRICATE AUGER SHAFT FITTINGS**

1. Using a hand grease gun, lubricate the auger shaft fittings (B, Figure 14) every ten (10) operating hours. Each time a shear pin is replaced, the auger shaft (C) MUST be greased. (See "Auger Shear Pin Replacement" section.)
2. For storage or when replacing shear pins, remove shear pins and lubricate auger shaft fittings (B). Rotate augers several times on the shaft and reinstall the shear pins.

**CHECK/LUBRICATE FREE-HAND LINKAGE**

Check the function of the Free-Hand controls. The controls should function as described in the OPERATION section.

**WARNING:** It is critical for the safe operation of the unit that the controls disengage when released.

If the controls do not function properly, lubricate the controls (see Figure 15).

**NOTICE:** Under no circumstances should the unit be used if the controls do not function properly.



Lubricating Controls

**Figure 15**

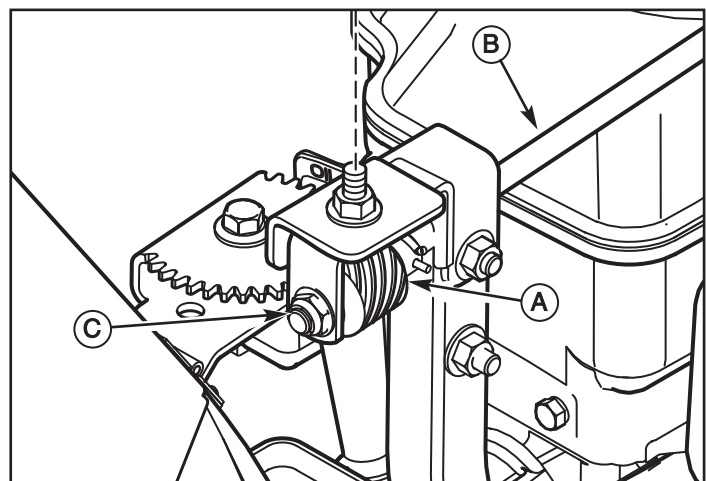
**LUBRICATE CHUTE ROTATION GEAR**

Lubricate the chute rotation gear (A, Figure 16) and shaft (B) with automotive type oil every twenty-five (25) operating hours .

**ADJUST THE DRAG ON THE CHUTE ROTATION**

**NOTE:** After repeated use, the chute rotation gear may loosen, causing the chute to move back to the center position.

Adjust the drag by tightening the nut (C, Figure 16). Tightening the nut will limit the chute from moving without the operator turning the chute rotation crank.



Chute Rotation Gear

**Figure 16**

# MAINTENANCE

## ENGINE MAINTENANCE

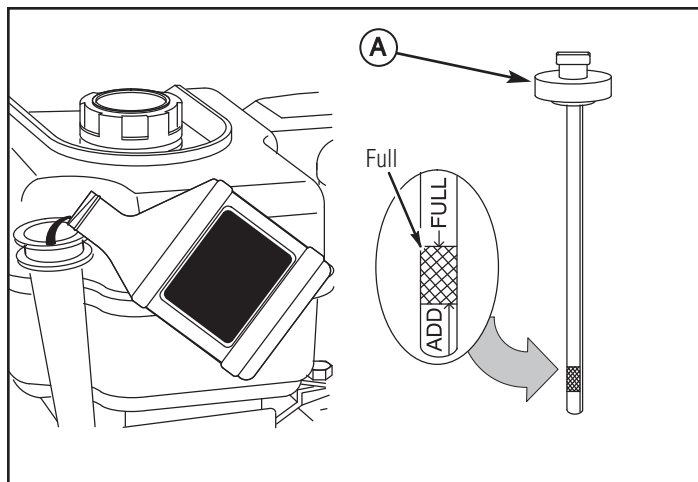
**Check Crankcase Oil Level** - Before starting engine and after each 8 hours of continuous use. Add the recommended motor oil as required.

**NOTE: Over filling the engine can affect performance. Tighten the oil fill cap securely to prevent leakage.**

**Change Oil** - Every 50 hours of operation or at least once a year, even if the snow thrower is not used for fifty hours. Use a clean, high quality detergent oil. Fill the crankcase to FULL line on dipstick (A, Figure 17). Be sure original container is marked: A.P.I. service "SF" or higher. Do not use SAE10W40 oil (as it may not provide proper lubrication). **See Chart for oil recommendations.**

**Drain Oil** - Position snow thrower so that the oil drain plug (A, Figure 18) is lowest point on engine. When the engine is warm, remove oil drain plug and oil fill cap and drain oil into a suitable container.

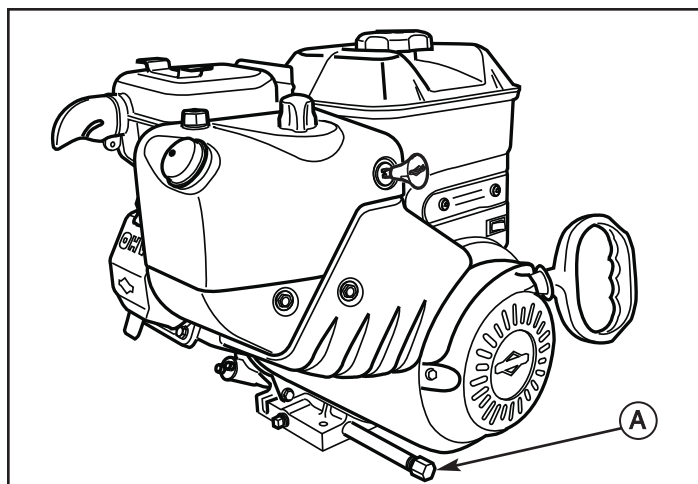
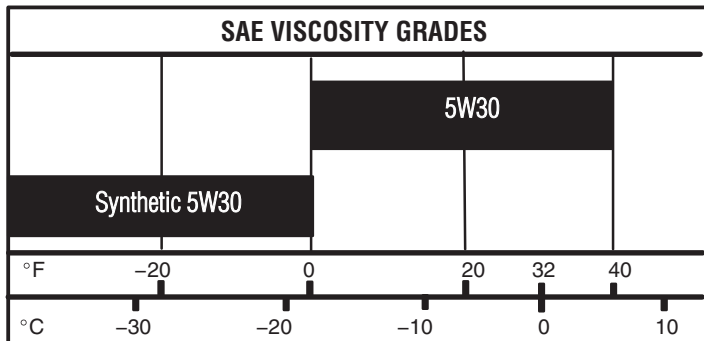
Replace oil drain plug and tighten securely. Refill crankcase with the recommended motor oil.



Check Crankcase Oil Level

Figure 17

TEMPERATURE	TYPE OF OIL
0°F (-18°C) and above	S.A.E. 5W30
0°F (-18°C) and below	Synthetic 5W30



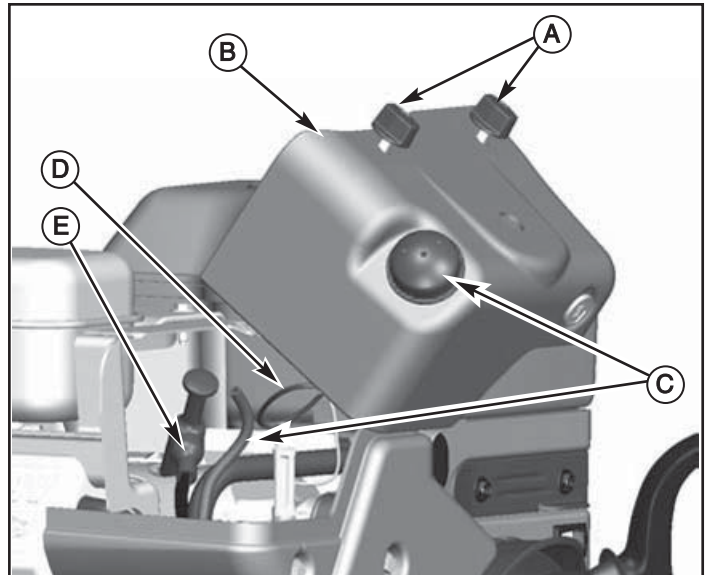
Oil Drain Plug

Figure 18

**CHANGE THE SPARK PLUG**

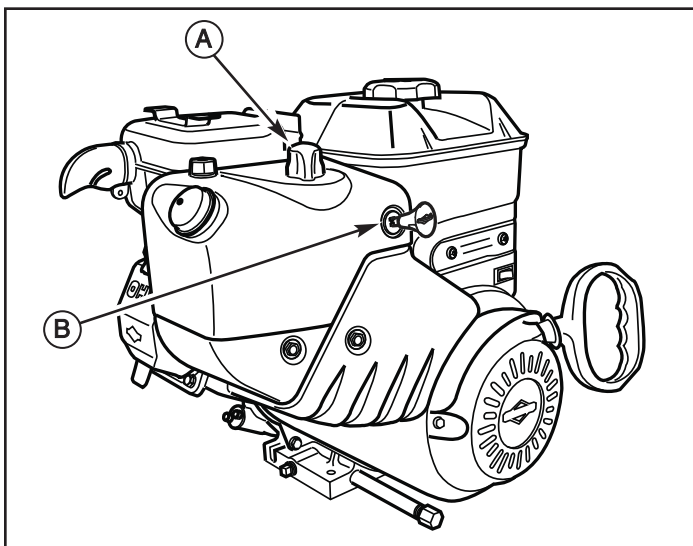
**Remove the Snow Hood**

1. Remove the choke control knob (A, Figure 19).
2. Remove the safety key (B).
3. Remove the mounting screws (A, Figure 20).
4. Slowly remove the snow hood (B) Make sure that the primer button hose (C) and the ignition wire (D) are not disconnected.
5. The spark plug (E) can now be accessed.
6. To install the snow hood, first make sure that the primer button hose and the ignition wire are connected.
7. Mount the snow hood to the engine and secure with the mounting screws.
8. Connect the choke control knob (A, Figure 21) with the choke shaft on the carburetor (B). Make sure the choke control knob is properly installed. If the choke control knob is not installed correctly, the choke will not operate.
9. Install the safety key (C).



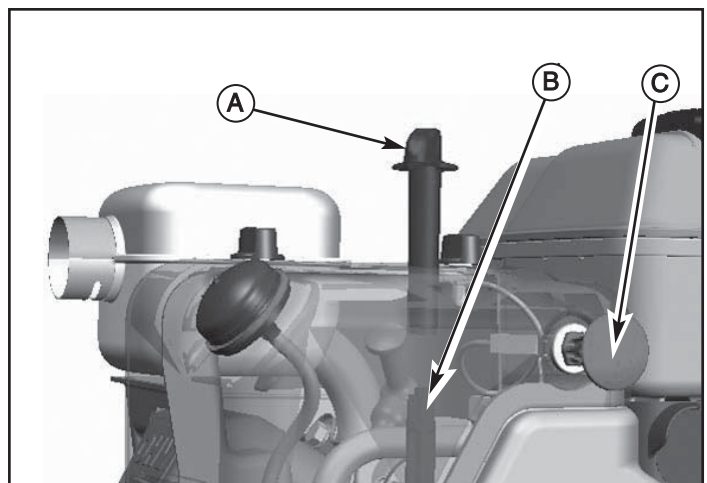
Removing the Snow Hood

**Figure 20**



Snow Thrower Engine

**Figure 19**



Connecting Choke Control Knob

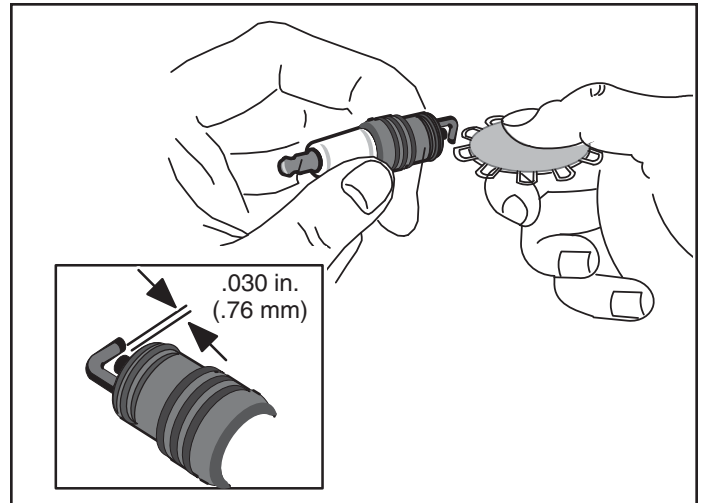
**Figure 21**

## MAINTENANCE

### Check and Replace Spark Plug

Check the spark plug every twenty-five (25) hours. Replace the spark plug (Figure 22) if the electrodes are pitted or burned or if the porcelain is cracked.

1. Remove snow hood (see "Remove the Snow Hood" section).
2. Clean spark plug and reset gap periodically.
3. Clean area around spark plug base before removal, to prevent dirt from entering engine.
4. Replace spark plug if electrodes are pitted or burned or if porcelain is cracked.
5. Clean spark plug by carefully scraping electrodes (do not sandblast or use wire brush).
6. Be sure spark plug is clean and free of foreign material. Check electrodes gap with a wire feeler gauge and reset gap to 0.030" (0.76 mm) if necessary.
7. Before installing spark plug, coat threads lightly with graphite grease to insure easy removal.
8. Tighten plug firmly into engine. If torque wrench is available, tighten plug to 18-23 ft-lbs (24.4-31.2 Nm).



Replacing Spark Plug

Figure 22

**WARNING:** Always turn unit off, remove ignition key, and disconnect the spark plug wire before making any repairs or adjustments.

### ADJUST SKID HEIGHT

This snow thrower is equipped with two height adjust skids, secured to the outside of the auger housing. These elevate the front of the snow thrower.

When removing snow from a hard surface area such as a paved driveway or walk, adjust the skids up to bring the front of the snow thrower down.

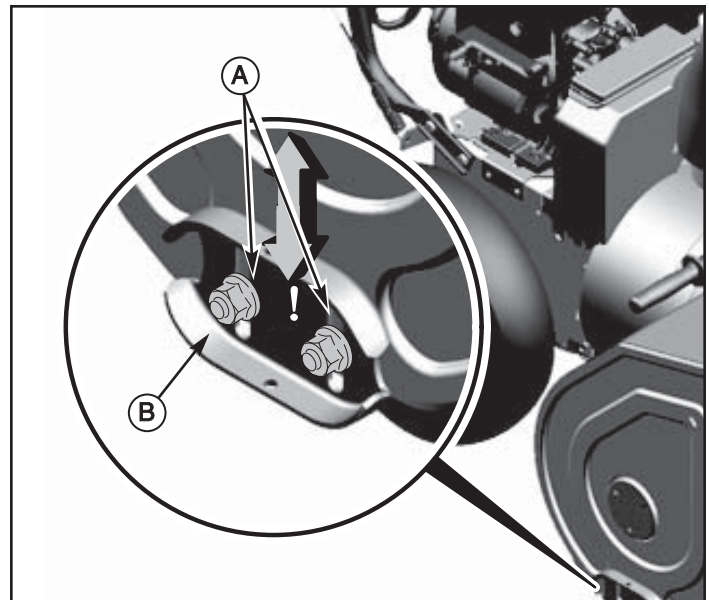
When removing snow from rock or uneven construction, raise the front of the snow thrower by moving the skids down. This will help to prevent rocks and other debris from being picked up and thrown by the augers.

#### To adjust skids, proceed as follows:

1. Place a block (equal to height from ground desired) under scraper bar near but not under skid.
2. Loosen skid mounting nuts (A, Figure 23) and push the skid down (B) until it touches the ground. Retighten mounting nuts.
3. Set skid on other side at same height.

**NOTE:** Make sure that snow thrower is set at same height on both sides.

**WARNING:** Be certain to maintain proper ground clearance for your particular area to be cleared. Objects such as gravel, rocks, or other debris, if struck by the impeller, may be thrown with sufficient force to cause personal injury, property damage, or damage to the snow thrower.



Adjusting Skid Height

Figure 23

**BELT ADJUSTMENT**

**Traction Drive Belt**

The traction drive belt has constant spring pressure and does not require an adjustment. If the traction drive belt is slipping, replace the belt. See authorized dealer.

**Auger Drive Belt**

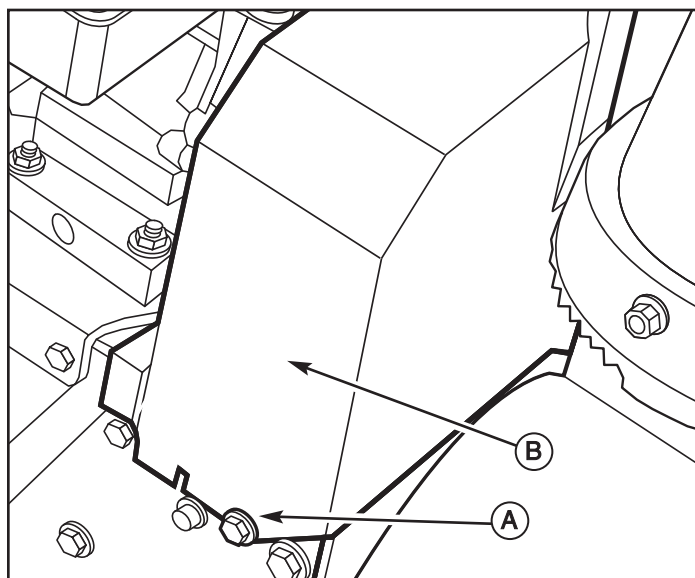
If your snow thrower will not discharge snow, check the control cable adjustment. If it is correct, then check the condition of the auger drive belt. If it is damaged or loose, replace it (see authorized dealer).

1. Disconnect spark plug wire.
2. Remove screw (A, Figure 24) from belt cover (B). Remove belt cover.
3. Loosen nut on idler drive pulley (A, Figure 25) and move idler drive pulley towards belt about 1/8 inch (3 mm).



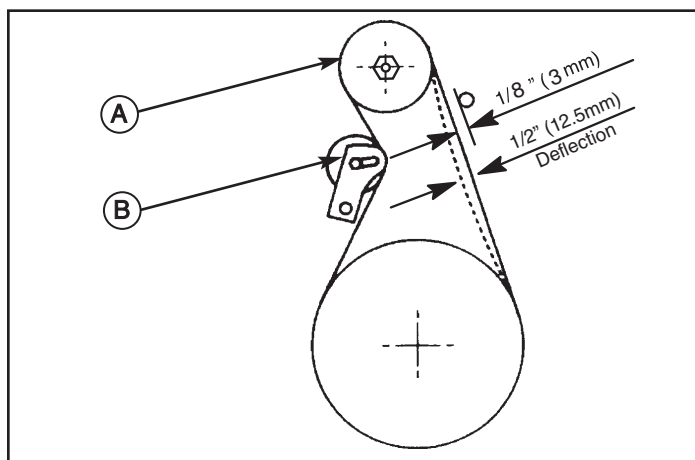
**WARNING: Do not over-tighten, as this may lift the lever and cause the auger drive to be engaged without depressing the auger control.**

4. Tighten nut.
5. With the aid of an assistant, engage the auger drive clutch. Check tension on belt which is opposite idler pulley (B, Figure 25). Belt should deflect about 1/2 inch (12.5 mm) with moderate pressure. You may have to move idler pulley more than once to obtain the correct tension.
6. Release the auger drive control lever. **The auger must stop within five (5) seconds.**
7. If auger does not operate properly, stop engine and recheck drive linkage adjustments.
8. Reinstall belt cover (B, Figure 24). Tighten screw (A).
9. Whenever belts are adjusted or replaced, the cables will need to be adjusted (see "Check and Adjust the Cables" section).
10. Attach the spark plug wire.



Adjusting Auger Drive Belt

**Figure 24**



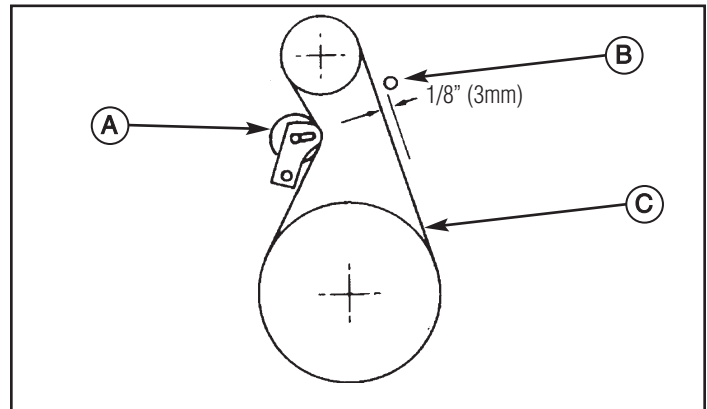
Check Tension on Auger Drive Belt

**Figure 25**

## MAINTENANCE

### BELT GUIDE ADJUSTMENT

1. Remove spark plug wire.
2. Have someone engage the auger drive. This will engage auger idler pulley (A, Figure 26).
3. Measure the distance between the belt guide (B) and belt (C). The distance should be about 1/8 inch (3 mm).
4. If adjustment is necessary, loosen belt guide mounting bolt. Move belt guide to the correct position. Tighten mounting bolt.
5. Install belt cover.
6. Connect spark plug wire.



Adjusting Belt Drive

Figure 26

### CHECK AND ADJUST THE CABLES

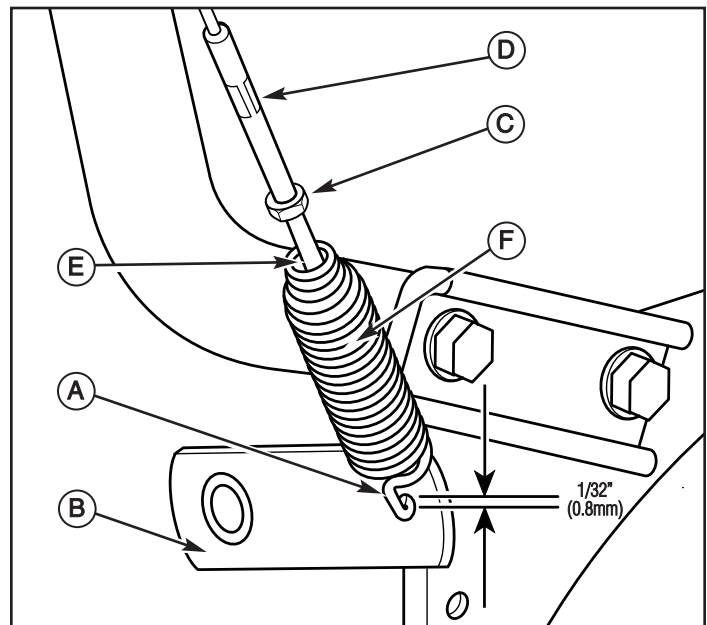
The cables are adjusted at the factory and no adjustment should be necessary. If the cables have become stretched or are sagging adjustment will be necessary.

Whenever belts are adjusted or replaced, the cables will need to be adjusted.

#### Auger Drive Cable

**WARNING:** Do not over-tighten, as this may lift the lever and cause the auger drive to be engaged without depressing the auger drive control.

1. With the auger drive control lever released, the hook (A, Figure 27) should barely touch the lever (B) without raising it. There can be a maximum of 1/32" (0.8 mm) clearance.
2. To adjust, loosen the nut (C) by holding the adjusting flats (D) and turning the nut. Then, turn the adjusting flats and hold the adjustment screw (E). The adjustment screw is a phillips screw and the head can be held or turned by inserting a screwdriver through the spring (F).
3. Hold the adjusting flats and tighten the nut.
4. Start the engine and check the auger. The auger must not be engaged unless the auger drive control lever is depressed.
5. With the engine running, fully depress the auger drive control lever. The auger should engage and run normally.
6. Release the auger drive control lever. **The auger must stop within five (5) seconds.**
7. If the auger does not operate properly, stop the engine and recheck the auger drive cable adjustment.
8. If the drive linkage is properly adjusted, the tension of the auger drive belt may require an adjustment (see "Belt Adjustment" section).



Adjusting Auger Drive Cable

Figure 27

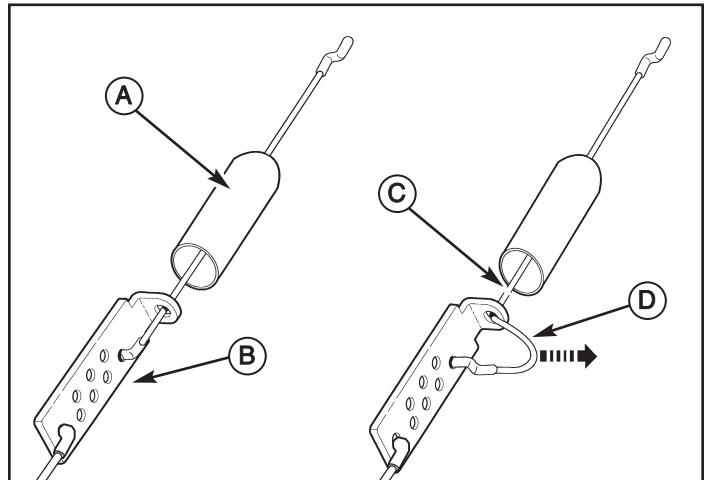


**Traction Drive Cable**

1. Remove the gas from the gas tank. Stand the snow thrower up on the front end of the auger housing.

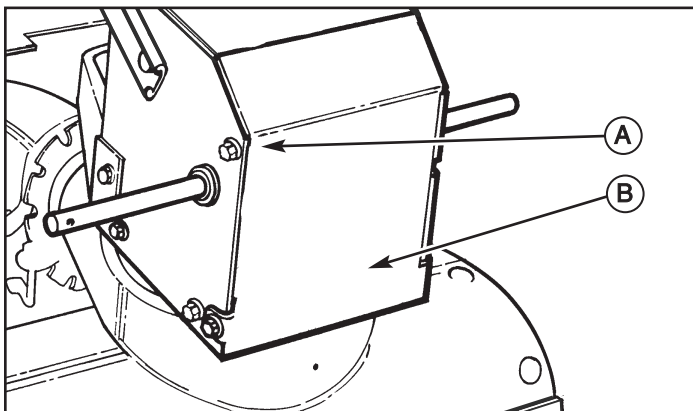
**⚠ WARNING: Drain the gasoline outdoors, away from fire or flame.**

2. Loosen the bolts (A, Figure 28) on each side of the bottom panel (B).
3. Remove the bottom panel.
4. Slide the cable boot (A, Figure 29) off the cable adjustment bracket (B).
5. Push the bottom of the traction drive cable (C) through the cable adjustment bracket until the "Z" hook (D) can be removed.
6. Remove the "Z" hook from the cable adjustment bracket. Move the "Z" hook down to the next adjustment hole.
7. Pull the traction drive cable up through the cable adjustment bracket.
8. Put the cable boot over the cable adjustment bracket.
9. To check the adjustment, depress the drive lever and check the length of the drive spring (A, Figure 30). In correct adjustment, the length of the drive spring is a minimum 3 inches (76 mm) and a maximum 3-3/8 inches (85 mm).
10. Install the bottom panel (B, Figure 28).
11. Tighten the bolts (A) on each side of the bottom panel.



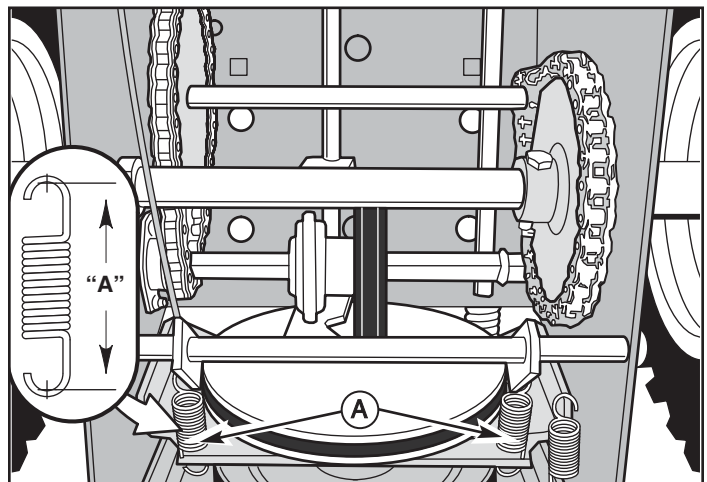
Traction Drive Cable

**Figure 29**



Adjusting Traction Drive Cable

**Figure 28**



Check Adjustment of Traction Drive Cable

**Figure 30**

## MAINTENANCE

### AUGER SHEAR PIN REPLACEMENT

The augers are secured to the auger shaft with special shear pins that are designed to break if an object becomes lodged in the auger housing. Use of a harder grade shear pin will reduce the protection provided by the shear pin.

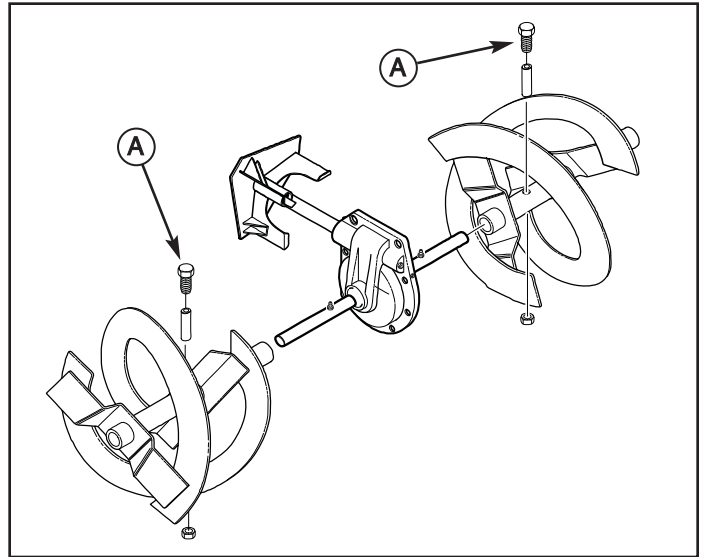
**WARNING:** Do not go near the discharge chute or auger when the engine is running. Do not run the engine if any cover or guard is removed.

Under most circumstances, if the auger strikes an object which could cause damage to the unit, the shear pin will break. This protects the gear box and other parts from damage.

The shear pins (A, Figure 31) are located on the auger shaft. Replace a broken shear pin as follows.

1. Tap out the broken shear pin with a pin punch.
2. Install a new shear pin and cotter pin. Bend the ends of the cotter pin down.

**IMPORTANT:** Do not replace shear pins with anything other than the correct grade replacement shear pin. Use of bolts, screws, or harder grade shear pins can result in equipment damage.



Replacing Broken Shear Pin

Figure 31

## OFF SEASON STORAGE

**WARNING:** Never store the engine, with fuel in the tank, indoors or in a poor ventilated enclosure where fuel fumes could reach an open flame, spark or pilot light as on a furnace, water heater, clothes dryer, etc.

Handle gasoline carefully. It is highly flammable and careless use could result in serious fire damage to your person and/or property.

Drain fuel into approved containers outdoors, away from open flame.

If the snow thrower will be stored for thirty (30) days or more at the end of the snow season, the following steps are recommended to prepare your snowthrower for storage.

**NOTE:** Gasoline must be removed or treated to prevent gum deposits from forming in the tank, filter, hose, and carburetor during storage.

1. Remove gasoline, by running engine until tank is empty and engine stops. If you do not want to remove the gasoline, add fuel stabilizer to any gasoline left in the tank to minimize gum deposits and acids. If the tank is almost empty, mix stabilizer with fresh gasoline in a separate container and add some of the mixture to the tank. ALWAYS FOLLOW INSTRUCTIONS ON STABILIZER CONTAINER. THEN RUN ENGINE AT LEAST 10 MINUTES AFTER STABILIZER IS ADDED TO ALLOW MIXTURE TO REACH CARBURETOR. STORE SNOW THROWER IN SAFE PLACE.
2. You can help keep your engine (4-cycles only) in good operating condition by changing oil before storage.
3. Lubricate the piston/cylinder area. This can be done by first removing the spark plug and squirting clean engine oil into the spark plug hole. Then cover the spark plug hole with a rag to absorb oil spray. Next, rotate the engine by pulling the starter two or three times. Finally, reinstall spark plug and attach spark plug wire.
4. Thoroughly clean the snow thrower.
5. Lubricate all lubrication points (see "Lubrication" topics in the MAINTENANCE section).
6. Make sure all nuts, bolts, and screws are securely fastened. Inspect all visible moving parts for damage, breakage, and wear. Replace if necessary.
7. Touch up all rusted or chipped paint surfaces; sand lightly before painting.
8. Cover the bare metal parts of the snow thrower housing auger, and the impeller with rust preventative.
9. If possible, store your snow thrower indoors and cover it to give protection from dust and dirt.
10. On models with folding handles, loosen the knobs that secure the upper handle. Rotate the upper handle back.
11. If the machine must be stored outdoors, block up the snow thrower and ensure the entire machine is off the ground. Cover the snow thrower with a heavy tarpaulin.

## LUBRICATE HEX SHAFT AND CHAINS

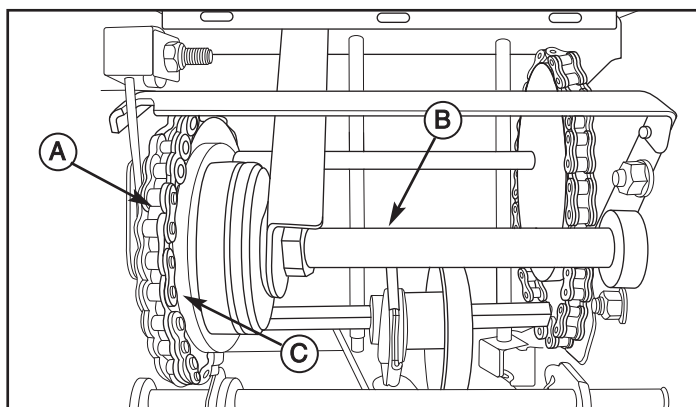
**CAUTION:** Do not allow grease or oil to contact the rubber friction wheel or the disc drive plate. If the disc drive plate or friction wheel come in contact with grease or oil damage to rubber friction wheel will result.

**NOTICE:** If grease or oil comes into contact with the disc drive plate or friction wheel, make sure to clean plate and wheel thoroughly with an alcohol base solvent.

1. Position speed select lever (E, Figure 5) in first forward gear.
2. Drain fuel to an approved container.
3. Stand the snow thrower up on the auger housing end.

**NOTE:** When the crankcase is filled with oil, do not leave the snow thrower standing up on the auger housing for an extended period of time.

4. Remove the bottom panel.
5. Lubricate the chains (A, Figure 32) with a chain type lubricant.
6. Wipe the hex shaft (B) and sprockets (C) with 5W30 motor oil, before storage and at the beginning of each season.
7. Install the bottom panel.



Lubricate Hex Shaft and Chains

Figure 32

## REMOVE FROM STORAGE

1. Put the upper handle in the operating position, tighten the knobs that secure the upper handle.
2. Fill the fuel tank with a fresh fuel.
3. Check the spark plug. Make sure the gap is correct. If the spark plug is worn or damaged, replace before using.
4. Make sure all fasteners are tight.
5. Make sure all guards, shields, and covers are in place.
6. Make sure all adjustments are correct.

## TROUBLESHOOTING

PROBLEM	LOOK FOR	REMEDY
<b>Difficult starting</b>	Defective spark plug.	Replace defective spark plug.
<b>Engine runs erratically</b>	Blocked fuel line.	Clean fuel line.
	Empty gas tank.	Check fuel supply.
	Stale gasoline.	Add fresh gasoline with fuel stabilizer.
	Water or dirt in fuel system.	Remove carburetor bowl to drain fuel tank. Refill with fresh fuel. <b>CAUTION: Do not remove carburetor bowl when the engine is hot.</b>
<b>Engine stalls</b>	Unit running on CHOKE.	Set choke lever to RUN position.
<b>Loss of power</b>	Gas cap vent hole is plugged.	Remove ice and snow from cap. Be sure vent hole is clear.
<b>Excessive vibration</b>	Loose parts or damaged impeller.	Stop engine immediately and remove spark plug wire. Tighten all bolts and make all necessary repairs. If vibration continues, have the unit serviced by an authorized dealer.
<b>Unit fails to propel itself</b>	Drive belt loose or damaged.	Replace drive belt. See authorized dealer.
	Incorrect adjustment of traction drive cable.	Adjust traction drive cable. Refer to "Cable Adjustment" in the MAINTENANCE section of this manual.
	Worn or damaged friction disc.	Replace friction disc. See authorized dealer.
<b>Unit fails to discharge snow</b>	Auger drive belt loose or damaged.	Replace or adjust auger drive belt. Refer to "Drive Belt Adjustment" in the MAINTENANCE section of this manual, or see authorized dealer.
	Auger control cable not adjusted correctly.	Adjust auger control cable. Refer to "Cable Adjustment" in the MAINTENANCE section of this manual.
	Broken shear pin.	Replace shear pin. Refer to "Auger Shear Pin Replacement" in the MAINTENANCE section of this manual.
	Discharge chute clogged.	Stop engine immediately and disconnect spark plug wire. Refer to <b>WARNINGS in OPERATOR SAFETY</b> section. Clean discharge chute and inside of auger housing.
	Foreign object lodged in auger.	Stop engine immediately and disconnect spark plug wire. Refer to <b>WARNINGS in OPERATOR SAFETY</b> section. Remove object from auger.

**BRIGGS AND STRATTON POWER PRODUCTS GROUP, L.L.C. OWNER WARRANTY POLICY**

Effective January 1, 2008 replaces all undated Warranties and all Warranties dated before January 1, 2008

**LIMITED WARRANTY**

Briggs & Stratton Power Products Group, LLC will repair or replace, free of charge, any part(s) of the product that is defective in material or workmanship or both. Transportation charges on product submitted for repair or replacement under this warranty must be borne by purchaser. This warranty is effective for the time periods and subject to the conditions stated below. For warranty service, find the nearest Authorized Service Dealer in our dealer locator map at [www.murray.com](http://www.murray.com).

THERE IS NO OTHER EXPRESS WARRANTY, IMPLIED WARRANTIES, INCLUDING THOSE OF MERCHANTABILITY AND FITNESS FOR A PARTICULAR PURPOSE, ARE LIMITED TO ONE YEAR FROM PURCHASE, OR TO THE EXTENT PERMITTED BY LAW. ANY AND ALL IMPLIED WARRANTIES ARE EXCLUDED. LIABILITY FOR INCIDENTAL OR CONSEQUENTIAL DAMAGES ARE EXCLUDED TO THE EXTENT EXCLUSION IS PERMITTED BY LAW. Some states or countries do not allow limitations on how long an implied warranty lasts, and some states or countries do not allow the exclusion or limitation of incidental or consequential damages, so the above limitation and exclusion may not apply to you. This warranty gives you specific legal rights and you may also have other rights which vary from state to state or country to country.

**WARRANTY TERMS**

<b>Brand / Unit</b>	<b>Consumer Use</b>	<b>Commercial Use</b>
Dual Stage Snow Thrower .....	2 years .....	90 Days

The warranty period begins on the date of purchase by the first retail consumer or commercial end user, and continues for the period of time stated above. "Consumer use" means personal residential household use by a retail consumer. "Commercial use" means all other uses, including use for commercial, income producing or rental purposes. Once product has experienced commercial use, it shall thereafter be considered as commercial use for purposes of this warranty.

No warranty registration is necessary to obtain warranty on Murray branded products. Save your proof of purchase receipt. If you do not provide proof of the initial purchase date at the time warranty service is requested, the manufacturing date of the product will be used to determine the warranty.

**ABOUT YOUR WARRANTY**

We welcome warranty repair and apologize to you for being inconvenienced. Any Authorized Service Dealer may perform warranty repairs. Most warranty repairs are handled routinely, but sometimes requests for warranty service may not be appropriate. For example, warranty service would not apply to the product if damage occurred because of misuse, lack of routine maintenance, shipping, handling, warehousing or improper installation. Similarly, the warranty is void if the serial number on the product has been removed or the product has been altered or modified.

This warranty covers product related defective material and/or workmanship only. To avoid misunderstanding which might occur between the customer and the Dealer, listed below are some of the causes of product failure that the warranty does not cover.

- **Normal Wear:** Small Engine Powered Equipment, like all mechanical devices, needs periodic parts and service to perform well. Warranty does not cover repair when normal use has exhausted the life of the product or part.
- **Installation:** This warranty does not apply to product that has been subjected to improper or unauthorized installation, alteration or modification. Nor installations that prevent starting cause unsatisfactory engine performance.
- **Improper Maintenance:** The life of this product depends upon the conditions under which it operates, and the care it receives. Recommended maintenance and adjustment intervals are stated in the Operator's Manual. Often product, such as tillers, edgers, rotary mowers, are used in dusty or dirty conditions, which can cause what appears to be premature wear. Such wear, when caused by dirt, dust, or other abrasive material entering the product because of improper maintenance is not covered by warranty. The warranty will not cover repairs due to problems caused by replacement parts that are not original manufactured part(s).
- **Incorrect and/or Insufficient Fuel or Lubrication:** This warranty does not cover damage caused by the use of stale fuel, or altered gasoline. Damage to engine or engine components i.e., combustion chamber, valves, valve seats, valve guides, burned starter motor windings caused by use of alternate fuels such as liquefied petroleum, natural gas, are not covered unless engine is certified for this operation. Parts which are scored or broken because product was operated with insufficient, contaminated or incorrect grade of lubricating oil as well as product components damaged due to lack of lubrication are not covered.
- **Operational Misuse:** Proper operation of the product is stated in the Operator's Manual. Product damaged by overspeeding, overheating, or operation in a confined area without sufficient ventilation. Product broken by excessive vibration caused by a loose engine mounting, loose or unbalanced blades, impellers, overspeeding, or bent crankshaft due to striking of solid object. Damage or malfunctions resulting from accidents, abuse, or improper servicing or freezing or chemical deterioration, as well as operating in excess of recommended capacities as outlined in the Operator's Manual are not covered.
- **Routine Tune-Up, Wear Items, or Adjustments:** This warranty excludes wear items such as oil, belts, blades, o-rings, filters, etc.
- **Other Exclusions:** Repair or adjustments for part(s) that are not manufactured by Briggs & Stratton Corporation, are not covered, see warranty for respective manufacturers. This warranty excludes failures due to acts of God and other major forceful events beyond the manufacturer's control. Also excluded are used, reconditioned, and demonstration products.

Warranty service is available only through Authorized Service Dealers. Locate your nearest dealer in our locator map at [www.murray.com](http://www.murray.com).

## California, U.S. EPA, and Briggs & Stratton Corporation Emissions Control Warranty Statement Your Warranty Rights And Obligations

The California Air Resources Board, U.S. EPA, and Briggs & Stratton (B&S) are pleased to explain the emissions control system warranty on your Model Year 2008 and later engine/equipment. In California, new small off-road engines must be designed, built, and equipped to meet the State's stringent anti-smog standards. B&S must warrant the emissions control system on your engine/equipment for the periods of time listed below provided there has been no abuse, neglect, or improper maintenance of your small off-road engine.

Your emissions control system may include parts such as the carburetor or fuel injection system, fuel tank, ignition system, and catalytic converter. Also included may be hoses, belts, connectors, sensors, and other emissions-related assemblies.

Where a warrantable condition exists, B&S will repair your engine/equipment at no cost to you including diagnosis, parts, and labor.

### Manufacturer's Warranty Coverage:

Small off-road engines are warranted for two years. If any emissions-related part on your engine/equipment is defective, the part will be repaired or replaced by B&S.

### Owner's Warranty Responsibilities:

- As the small engine/equipment owner, you are responsible for the performance of the required maintenance listed in your owner's manual. B&S recommends that you retain all receipts covering maintenance on your engine/equipment, but B&S cannot deny warranty solely for the lack of receipts or your failure to ensure the performance of all scheduled maintenance.
- As the engine/equipment owner, you should however be aware that B&S may deny you warranty coverage if your engine/equipment or a part has failed due to abuse, neglect, improper maintenance, or unapproved modifications.
- You are responsible for presenting your engine/equipment to a B&S distribution center, servicing dealer, or other equivalent entity, as applicable, as soon as a problem exists. The warranty repairs should be completed in a reasonable amount of time, not to exceed 30 days. If you have any questions regarding your warranty rights and responsibilities, you should contact B&S at (414) 259-5262.

## Briggs & Stratton Emissions Control Warranty Provisions

The following are specific provisions relative to your Emissions Control Warranty Coverage. It is in addition to the B&S engine warranty for non-regulated engines found in the Operator's Manual.

### 1. Warranted Emissions Parts

Coverage under this warranty extends only to the parts listed below (the emissions control systems parts) to the extent these parts were present on the engine purchased.

- a. Fuel Metering System
  - Cold start enrichment system (soft choke)
  - Carburetor and internal parts
  - Fuel pump
  - Fuel line, fuel line fittings, clamps
  - Fuel tank, cap and tether
  - Carbon canister
- b. Air Induction System
  - Air cleaner
  - Intake manifold
  - Purge and vent line
- c. Ignition System
  - Spark plug(s)
  - Magneto ignition system
- d. Catalyst System
  - Catalytic converter
  - Exhaust manifold
  - Air injection system or pulse valve
- e. Miscellaneous Items Used in Above Systems
  - Vacuum, temperature, position, time sensitive valves and switches
  - Connectors and assemblies

### 2. Length of Coverage

For a period of two years from date of original purchase, B&S warrants to the original purchaser and each subsequent purchaser that the engine is designed, built, and equipped so as to conform with all applicable regulations adopted by the Air Resources Board; that it is free from defects in material and workmanship that could cause the failure of a warranted part; and that it is identical in all material respects to the engine described in the manufacturer's application for certification. The warranty period begins on the date the engine is originally purchased.

The warranty on emissions-related parts is as follows:

- Any warranted part that is not scheduled for replacement as required maintenance in the owner's manual supplied, is warranted for the warranty period stated above. If any such part fails during the period of warranty coverage, the part will be repaired or replaced by B&S at no charge to the owner. Any such part repaired or replaced under the warranty will be warranted for the remaining warranty period.
- Any warranted part that is scheduled only for regular inspection in the owner's manual supplied, is warranted for the warranty period stated above. Any such part repaired or replaced under warranty will be warranted for the remaining warranty period.
- Any warranted part that is scheduled for replacement as required maintenance in the owner's manual supplied, is warranted for the period of time prior to the first scheduled replacement point for that part. If the part fails prior to the first scheduled replacement, the part will be repaired or replaced by B&S at no charge to the owner. Any such part repaired or replaced under warranty will be warranted for the remainder of the period prior to the first scheduled replacement point for the part.
- Add on or modified parts that are not exempted by the Air Resources Board may not be used. The use of any non exempted add on or modified parts by the owner will be grounds for disallowing a warranty claim. The manufacturer will not be liable to warrant failures of warranted parts caused by the use of a non exempted add on or modified part.

### 3. Consequential Coverage

Coverage shall extend to the failure of any engine components caused by the failure of any warranted emissions parts.

### 4. Claims and Coverage Exclusions

Warranty claims shall be filed according to the provisions of the B&S engine warranty policy. Warranty coverage does not apply to failures of emissions parts that are not original equipment B&S parts or to parts that fail due to abuse, neglect, or improper maintenance as set forth in the B&S engine warranty policy. B&S is not liable for warranty coverage of failures of emissions parts caused by the use of add-on or modified parts.

## Look For Relevant Emissions Durability Period and Air Index Information On Your Engine Emissions Label

Engines that are certified to meet the California Air Resources Board (CARB) Emissions Standard must display information regarding the Emissions Durability Period and the Air Index. Briggs & Stratton makes this information available to the consumer on our emissions labels. The engine emissions label will indicate certification information.

The **Emissions Durability Period** describes the number of hours of actual running time for which the engine is certified to be emissions compliant, assuming proper maintenance in accordance with the Operating & Maintenance Instructions. The following categories are used:

#### Moderate:

Engine is certified to be emissions compliant for 125 hours of actual engine running time.

#### Intermediate:

Engine is certified to be emissions compliant for 250 hours of actual engine running time.

#### Extended:

Engine is certified to be emissions compliant for 500 hours of actual engine running time.

For example, a typical walk-behind lawn mower is used 20 to 25 hours per year.

Therefore, the **Emissions Durability Period** of an engine with an **intermediate** rating would equate to 10 to 12 years.

Briggs & Stratton engines are certified to meet the United States Environmental Protection Agency (USEPA) Phase 2 emissions standards. For Phase 2 certified engines, the Emissions Compliance Period referred to on the Emissions Compliance label indicates the number of operating hours for which the engine has been shown to meet Federal emissions requirements.

For engines less than 225 cc displacement.

Category C = 125 hours , Category B = 250 hours , Category A = 500 hours

For engines of 225 cc or more displacement.

Category C = 250 hours , Category B = 500 hours , Category A = 1000 hours

## ENGINE:

<b>Brand</b>	Briggs & Stratton
<b>Model Series</b>	Snow Series
<b>Gross Torque*</b>	11.50 T.P. @ 3060 rpm
<b>Type</b>	4-Cycle - OHV
<b>Displacement</b>	15.26 cu in. (250 cc)
<b>Starting System</b>	110V Electric, Recoil
<b>Alternator</b>	60W AC
<b>Oil Capacity</b>	20 oz (.59 liter)
<b>Hydraulic Fluid</b>	Mineral 5W30
<b>Fuel Tank Volume</b>	3.0 qts (2,8 liters)
<b>Spark Plug Gap</b>	0.030 in. (0.76 mm)
<b>Resistor Spark Plug</b>	481055
<b>Long Life Platinum Spark Plug</b>	5066
<b>Ignition System</b>	This spark plug ignition system complies with Canadian standard ICES-002.

## AUGER/IMPELLER:

<b>Clearing Width</b>	27 in. (68,6 cm)
<b>Intake Height</b>	21 in. (53 cm)
<b>Auger/Impeller Diameter</b>	12 in. (30 cm)
<b>Number of Impeller Blades</b>	3

## CHUTE:

<b>Chute Deflector</b>	Manual
<b>Chute Rotation</b>	190° (3.5 Turn)

## DRIVE SYSTEM:

<b>Drive Type</b>	Friction Disc - Traction Lock Pin
<b>Drive Speeds</b>	6 Forward Speeds, 2 Reverse
<b>Tire Size</b>	16 x 4.8 in. (41 x 12,2 cm)
<b>Tire Inflation</b>	14 psi (.96 bar)

## Engine Power Rating Information

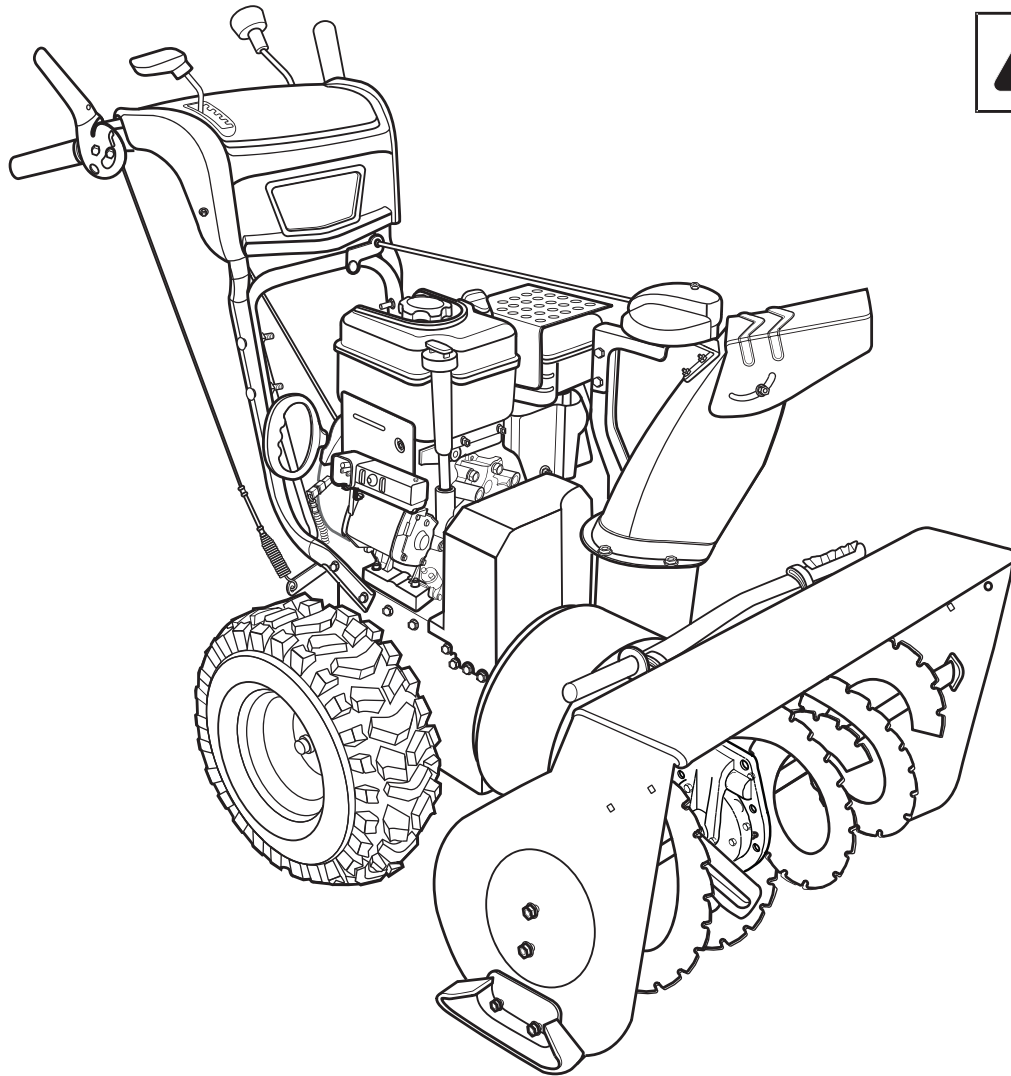
\*The gross power rating for individual gas engine models is labeled in accordance with SAE (Society of Automotive Engineers) code J1940 (Small Engine Power & Torque Rating Procedure), and rating performance has been obtained and corrected in accordance with SAE J1995 (Revision 2002-05). Torque values are derived at 3060 RPM; horsepower values are derived at 3600 RPM. Actual gross engine power will be lower and is affected by, among other things, ambient operating conditions and engine-to-engine variability. Given both the wide array of products on which engines are placed and the variety of environmental issues applicable to operating the equipment, the gas engine will not develop the rated gross power when used in a given piece of power equipment (actual "on-site" or net power). This difference is due to a variety of factors including, but not limited to, accessories (air cleaner, exhaust, charging, cooling, carburetor, fuel pump, etc.), application limitations, ambient operating conditions (temperature, humidity, altitude), and engine-to-engine variability. Due to manufacturing and capacity limitations, Briggs & Stratton may substitute an engine of higher rated power for this Series engine.







# Manuel d'Utilisation



## Souffleuses à neige à pousser

**Réf. fab**  
1695722

**Description**  
Souffleuse à neige à double détente, 11,5 TP, 27 po

Manuel n° 1737920  
Rév. B  
Rev. Date 04/2009

**Merci** d'avoir acheté cette souffleuse à neige Murray. Nous sommes heureux que vous ayez placé votre confiance dans la marque Murray. Si vous utilisez et entretenez ce produit Murray conformément aux instructions du manuel, vous pourrez l'utiliser pendant de nombreuses années.

**Ce manuel contient** des informations relatives à la sécurité afin que vous connaissiez les dangers et risques qui sont liés aux souffleuses à neige et la façon de les éviter. Cette souffleuse à neige est conçue et est destinée uniquement pour éliminer la neige et ne peut être utilisée pour aucune autre raison. Il est important que vous lisiez et compreniez ces instructions en profondeur avant de tenter de démarrer ou d'utiliser l'équipement. **Un assemblage de finition est nécessaire avant d'utiliser la souffleuse à neige.** Veuillez vous reporter au guide de mise en route rapide afin d'obtenir les directives pour l'assemblage de finition. Veuillez suivre attentivement les directives. **Sauvegardez ces instructions pour votre référence.**

### Où nous trouver

Vous n'avez pas besoin de chercher bien loin pour trouver le support et service Briggs & Stratton pour votre souffleuse à neige. Consultez les Pages jaunes. Il y a plus de 30 000 distributeurs autorisés Briggs & Stratton dans le monde entier qui offrent un service de qualité. Vous pouvez également contacter le service à la clientèle de Briggs par téléphone au (800) 528-5087, ou à travers du site **www.murray.com**.

### Souffleuse à neige

Numéro de modèle

Révision

Numéro de série

### Moteur

Numéro de modèle

Révision

Numéro de série

### Date d'achat

La liste des pièces illustrées pour cette machine peut être téléchargé à partir de **www.murray.com**. Veuillez fournir le modèle et le numéro de série au moment de commander les pièces de rechange.

Briggs & Stratton Power Products Group, LLC  
P.O. Box 702  
Milwaukee, WI 53201-0702  
1-800-528-5087  
murray.com

Copyright © 2009 Briggs & Stratton Power Products Group, LLC  
Milwaukee, WI, Tous droits réservés.  
Murray est une marque déposée de Briggs & Stratton Power Products Group, LLC Milwaukee, WI USA.

<b>SÉCURITÉ DE L'UTILISATEUR .....</b>	<b>4</b>
<b>FONCTIONS ET COMMANDES .....</b>	<b>10</b>
<b>UTILISATION .....</b>	<b>12</b>
AVANT D'UTILISATION SOUFFLEUSE À NEIGE.....	12
CONTRÔLER LES PNEUS .....	12
UTILISATION DE LA SOUFFLEUSE À NEIGE .....	13
ARRÊTER LA SOUFFLEUSE À NEIGE .....	13
TRACTION GOUPILLE DE SÛRETÉ .....	14
CONTRÔLER LE NIVEAU D'HUILE (AVANT DE DÉMARRER LE MOTEUR) .....	14
REMPLIR LE RÉSERVOIR D'ESSENCE .....	15
DÉMARRER LE MOTEUR .....	15
ARRÊTER LE MOTEUR .....	16
DÉGAGER UNE GOULOTTE D'ÉJECTION OBSTRUÉE .....	17
CONSEILS D'UTILISATION.....	17
<b>ENTRETIEN .....</b>	<b>18</b>
CONSEILS D'ENTRETIEN .....	18
APRÈS CHAQUE UTILISATION.....	18
GRAISSAGE DE LA BOÎTE D'ENGRENAGE DE VIS SANS FIN .....	19
GRAISSAGE DE L'ARBRE DE VIS SANS FIN .....	19
CONTRÔLER/LUBRIFIER LA TRINGLERIE MAIN LIBRE .....	19
LUBRIFIER LE PIGNON DE ROTATION DE GOULOTTE.....	19
RÉGLER LE TIRAGE SUR LA GOULOTTE DE ROTATION .....	19
ENTRETIEN DU MOTEUR .....	20
CHANGER LA BOUGIE D'ALLUMAGE .....	21
RÉGLAGE LA HAUTEUR DES PATINS .....	22
AJUSTEMENT DES COURROIES.....	23
AJUSTEMENT DU GUIDE DE COURROIE.....	24
CONTRÔLE ET RÉGLAGE DES CÂBLES.....	24
CHANGER LES GOUPILLES DE CISAILLEMENT DE VIS SANS FIN.....	26
<b>REMISAGE .....</b>	<b>27</b>
REMISAGE HORS SAISON.....	27
LUBRIFIER L'ARBRE HEXAGONAL ET CHÂÎNES .....	27
SORTIR LA SOUFFLEUSE À NEIGE DU REMISAGE .....	27
<b>DÉPANNAGE .....</b>	<b>28</b>
<b>GARANTIES .....</b>	<b>29</b>
<b>CARACTÉRISTIQUES TECHNIQUES .....</b>	<b>31</b>

## DANGER - Risques d'amputation







La goulotte d'éjection contient une turbine rotative pour rejeter la neige. Ne débouchez ou ne débloquez pas la goulotte d'éjection avec les mains. Les doigts peuvent rapidement se prendre dedans avec comme conséquences des amputations traumatiques ou de graves lacérations. Utilisez toujours un outil de curage pour déboucher ou débloquer la goulotte d'éjection.

### DANGER

- Le contact des mains avec la turbine rotative à l'intérieur de la goulotte d'éjection est la cause la plus commune des blessures associées aux souffleuses à neige.
- Cette souffleuse à neige est capable d'amputer des mains ou des pieds et de jeter des objets. Lisez et observez toutes les instructions de sécurité dans ce manuel. Ne pas s'y conformer provoquera de graves blessures, voire la mort.

## Le symbole d'alerte de sécurité et les mots indicateurs

Le symbole d'alerte de sécurité  et les mots indicateurs (DANGER, AVERTISSEMENT, ATTENTION ou REMARQUE) sont utilisés pour indiquer la probabilité et la gravité potentielle de blessures corporelles et/ou de dommages à l'équipement. En outre, un symbole de danger peut être utilisé pour représenter le type de danger.


-  **DANGER** indique un danger qui, s'il n'est pas écarté, provoquera de graves blessures, voire la mort.
-  **AVERTISSEMENT** indique un danger qui, s'il n'est pas écarté, pourrait provoquer de graves blessures, voire la mort.
-  **ATTENTION** indique un danger qui, s'il n'est pas écarté, pourrait provoquer des blessures mineures ou modérées.

**REMARQUE** indique une situation qui pourrait endommager l'équipement.

### AVERTISSEMENT

Modèles pour les États-Unis : Certains composants de cet équipement et de ses accessoires contiennent des produits chimiques reconnus dans l'état de Californie comme étant cause de cancer, d'anomalies congénitales ou d'autres effets néfastes sur la fonction de reproduction. Se laver les mains après manipulation. Se nettoyer les mains après manipulation.

## Les symboles de danger et leurs significations

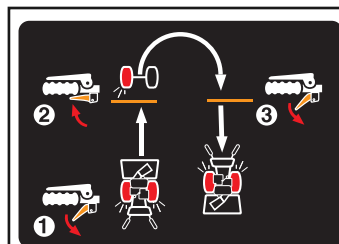
	Alerte de sécurité – Identifie des informations de sécurité sur les dangers pouvant provoquer des dommages corporels.		
	Manuel de l'utilisateur – Lisez-le et comprenez-le avant de réaliser toute activité ou de faire fonctionner la souffleuse à neige.		
	Turbine rotative		Maintenez la souffleuse à neige à une distance de sécurité
	Tarière rotative		Engrenages rotatifs
	Ne cherchez jamais à atteindre les éléments rotatifs		Objets projetés
	Incendie		Explosion
	Choc		Gaz toxiques
	Surface chaude		Protection des oreilles recommandée pour une utilisation prolongée
	Arrêtez le moteur et retirez le connecteur de bougie d'allumage avant de procéder à des travaux d'entretien ou de réparation.		

### AVERTISSEMENT

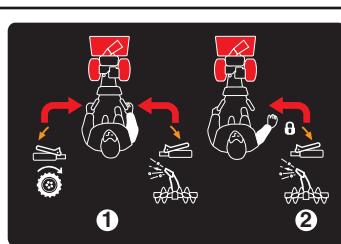
Modèles pour les États-Unis : Les gaz d'échappement de ce moteur contiennent des substances chimiques pouvant causer des cancers, des malformations foetales ou d'autres problèmes de fécondation.

## Symboles de contrôle sur l'équipement

	Huile		1 —	Marche avant
	Carburant		Point mort	
	Marche Arrêt		R 1 —	Marche arrière
	Starter fermé			
	Starter ouvert			
	Arrêt		<b>Démarrage électrique – Embrayer (bas) et débrayer (haut)</b>	
	Lent		<b>Moteur – En marche</b>	
	Rapide		<b>Moteur - Arrêté</b>	
	Commande de traction – Embrayer (bas)		Commande de tarière – Débrayer (bas)	
			Déflecteur de goulotte (haut et bas)	
	Goulotte d'éjection (gauche et droite)		Poignées chauffantes (Fort et Faible)	



Commande de traction Easy-Turn™



Commande Free-Hand™

## Lecture du Manuel


	<b>! DANGER</b>
	<p>Lisez, comprenez et suivez toutes les instructions sur la souffeuse à neige et dans le manuel de l'utilisateur avant d'utiliser cette unité.</p> <p>Le fait de ne pas observer les instructions de sécurité dans ce manuel provoquera de graves blessures, voire la mort.</p>
<ul style="list-style-type: none"> <li>• Familiarisez-vous complètement avec les commandes et l'utilisation appropriée de la souffeuse à neige.</li> <li>• Assurez-vous d'être convenablement entraîné avant d'utiliser la souffeuse à neige.</li> <li>• Sachez comment rapidement arrêter l'unité et débrayer les commandes.</li> <li>• Ne permettez jamais à quiconque d'utiliser la souffeuse sans voir reçu d'instruction appropriée.</li> <li>• Suivez toujours les instructions du manuel de l'utilisateur au cas où la souffeuse de neige serait entreposée pendant une période prolongée.</li> <li>• Le cas échéant, entretenez ou remplacez les étiquettes de sécurité et d'instructions.</li> <li>• Ne tentez jamais de faire des réparations majeures sur la souffeuse à neige à moins d'avoir été convenablement entraîné à le faire. Une maintenance inadéquate de la souffeuse à neige peut entraîner un fonctionnement dangereux, endommager l'équipement et annuler la garantie du produit.</li> </ul>	

## Goulotte d'éjection


	<b>! DANGER</b>
	<p>La goulotte d'éjection contient une turbine rotative pour rejeter la neige. Ne débouchez ou ne débloquez pas la goulotte d'éjection avec les mains. Les doigts peuvent rapidement se prendre dans la turbine. Utilisez toujours un outil de curage.</p> <p>Le fait de ne pas observer ces instructions de sécurité provoquera une amputation traumatique ou de graves lacérations.</p>
<p><b>POUR DÉBLOQUER EN TOUTE SÉCURITÉ UNE GOULOTTE D'ÉJECTION BOUCHÉE</b></p> <p><b>! DANGER :</b> Le contact des mains avec la turbine rotative à l'intérieur de la goulotte d'éjection est la cause la plus commune des blessures associées aux souffeuses à neige. N'utilisez jamais vos mains pour curer la goulotte d'éjection.</p> <p><b>SUIVEZ CES INSTRUCTIONS :</b></p> <ol style="list-style-type: none"> <li>1. ARRÊTEZ le moteur.</li> <li>2. Attendez 10 secondes pour vous assurer que les lames de la turbine se soient arrêtées de tourner.</li> <li>3. Utilisez toujours un outil de curage, pas vos mains.</li> </ol>	

**REMARQUE :** Certains des symboles de contrôle figurant sur cette page n'apparaissent pas sur votre souffeuse à neige. Consulter la section CARACTÉRISTIQUES ET COMMANDES pour les symboles en question.


## Sécurité de l'utilisation et de l'équipement

	<p><b>⚠ DANGER</b></p> <p>Cette souffleuse à neige est aussi sûre que ne l'est son utilisateur. Si elle est mal utilisée ou non correctement entretenue, elle peut être dangereuse. Rappelez-vous que vous êtes responsable de votre sécurité et de celle des personnes qui vous entourent.</p>
<ul style="list-style-type: none"><li>• Maintenez la zone d'intervention débarrassée de toutes personnes, en particulier des petits enfants et des animaux domestiques.</li><li>• Inspectez attentivement la zone où la souffleuse à neige sera utilisée et retirez les tapis, luges, planches, fils de fer et autres objets inopportuns.</li><li>• N'utilisez pas la souffleuse à neige sans porter de vêtements d'hiver adéquats.</li><li>• Portez des chaussures permettant d'avoir une meilleure prise sur les surfaces glissantes.</li><li>• Faites preuve de prudence pour éviter de glisser ou de tomber lorsque vous faites fonctionner la souffleuse à neige en marche arrière.</li><li>• N'utilisez jamais la souffleuse à neige sans bonne visibilité ou éclairage. Toujours garder un bon équilibre et tenir fermement les poignées.</li><li>• Ne débroyez pas la neige en travers des pentes. Faites preuve d'une extrême prudence lorsque vous changez de direction sur des pentes. Ne pas tenter de débroyer des pentes raides.</li><li>• Ne surchargez pas la capacité de la machine en tentant de débroyer trop rapidement la neige.</li><li>• N'utilisez jamais la souffleuse à neige à des vitesses de déplacement élevées sur des surfaces glissantes. Regardez derrière la souffleuse à neige et faites preuve de prudence lors des marches arrière.</li><li>• N'utilisez pas la souffleuse à neige sur des surfaces surélevées comme les toits de résidences, de garages, de vérandas ou de toute autre structure ou bâtiment comparables.</li><li>• Les utilisateurs doivent évaluer leur capacité à utiliser la souffleuse à neige de manière suffisamment sûre pour éviter de se blesser soi-même ou autrui.</li><li>• La souffleuse à neige est destinée à débroyer uniquement la neige. N'utilisez pas la souffleuse à neige à d'autres fins.</li><li>• Ne transportez pas de passagers.</li><li>• Après avoir heurté un objet étranger, ARRÊTEZ le moteur, débranchez le cordon pour les souffleuses à moteur électrique, vérifiez attentivement pour détecter d'éventuels dégâts sur la souffleuse à neige et réparez-les avant de redémarrer et d'utiliser la souffleuse à neige.</li><li>• Si la souffleuse à neige vibre anormalement, ARRÊTEZ le moteur. Toute vibration est généralement un avertissement de problème. Le cas échéant, faites appel à un concessionnaire agréé pour les réparations.</li><li>• Pour les modèles équipés de moteurs démarrant électriquement, débranchez le cordon d'alimentation une fois que le moteur démarre.</li></ul>	


## Manipulation de carburant

	<p><b>⚠ DANGER</b></p> <p>Le carburant et ses vapeurs sont extrêmement inflammables et explosifs. Manipulez toujours avec extrême soin. Le fait de ne pas observer ces instructions de sécurité peut causer un incendie ou une explosion entraînant de graves brûlures, voire la mort.</p>
<p><b>QUAND VOUS AJOUTEZ DU CARBURANT</b></p> <ul style="list-style-type: none"><li>• Arrêtez le moteur et laissez-le refroidir au moins 2 minutes avant de retirer le bouchon de réservoir et de faire l'appoint en carburant.</li><li>• Remplissez le réservoir de carburant à l'extérieur ou dans un endroit bien ventilé.</li><li>• Ne jamais remplir en excès le réservoir de carburant. Pour permettre à l'essence de se détendre, ne dépassez pas la base du col du réservoir de carburant en le remplissant.</li><li>• Maintenez le carburant éloigné d'étincelles, de flammes nues, de veilleuses, de la chaleur ou d'autres sources d'allumage.</li><li>• Vérifiez les canalisations de carburant, le bouchon de réservoir et les raccords de tuyauterie pour y détecter des craquelures ou des fuites. Remplacez, le cas échéant.</li><li>• Utilisez un récipient à essence homologué.</li><li>• Si du carburant se répand, attendez jusqu'à ce qu'il s'évapore avant de démarrer le moteur.</li></ul>	
<p><b>QUAND VOUS DÉMARREZ LE MOTEUR</b></p> <ul style="list-style-type: none"><li>• Assurez-vous que la bougie, le pot d'échappement, le bouchon de réservoir de carburant et le filtre à air (si l'unité en est équipée) sont en place et attachés.</li><li>• Ne mettez pas le moteur en marche avec la bougie retirée.</li><li>• Si du carburant se répand, ne tentez pas de démarrer le moteur, mais éloignez la souffleuse à neige de la zone du déversement et évitez de créer toute source d'inflammation jusqu'à ce que les vapeurs de carburant se soient dissipées.</li><li>• Ne sur-injectez pas trop de carburant dans le moteur. Suivez les instructions de démarrage du moteur dans ce manuel.</li><li>• Si le moteur se noie, mettez le starter (si l'unité en est équipée) sur la position OUVERT/MARCHE, amenez la manette des gaz (si l'unité en est équipée) sur la position RAPIDE et lancez le moteur jusqu'à ce qu'il démarre.</li></ul>	
<p><b>QUAND VOUS UTILISEZ L'ÉQUIPEMENT</b></p> <ul style="list-style-type: none"><li>• N'inclinez pas la souffleuse à neige à un angle pouvant provoquer le déversement de carburant.</li><li>• N'étouffez pas le carburateur pour arrêter le moteur.</li><li>• Ne faites jamais fonctionner le moteur lorsque l'assemblage du filtre à air (si l'unité en est équipée) ou le filtre à air (si l'unité en est équipée) sont retirés.</li></ul>	
<p><b>QUAND VOUS CHANGEZ L'HUILE</b></p> <ul style="list-style-type: none"><li>• Si vous vidangez l'huile depuis le haut du tube de remplissage d'huile, le réservoir de carburant doit être vide, sinon une fuite de carburant peut être cause d'incendie ou d'explosion.</li></ul>	
<p><b>QUAND VOUS TRANSPORTEZ L'ÉQUIPEMENT</b></p> <ul style="list-style-type: none"><li>• Assurez le transport avec le réservoir de carburant VIDE ou bien avec le robinet d'arrêt de carburant FERMÉ.</li></ul>	
<p><b>QUAND VOUS ENTREPOSEZ DE L'ESSENCE OU L'ÉQUIPEMENT AVEC DU CARBURANT DANS LE RÉSERVOIR</b></p> <ul style="list-style-type: none"><li>• Entreposez-les en les tenant à l'écart de chaudières, poêles, chauffe-eau ou d'autres appareils ménagers ayant une veilleuse ou une autre source d'allumage pouvant enflammer les vapeurs d'essence.</li></ul>	

## Pièces en mouvement

	<p style="text-align: center;"><b>⚠ DANGER</b></p> <p>Maintenez les mains, les pieds et les vêtements éloignés des pièces en mouvement. Les pièces en mouvement peuvent rentrer en contact avec les mains, les pieds, les cheveux, les vêtements ou des accessoires.</p> <p>Le fait de ne pas observer ces instructions de sécurité provoquera des amputations traumatiques ou de graves lacérations.</p>
<ul style="list-style-type: none"> <li>• Toutes les fois que vous nettoyez, réparez ou inspectez la souffleuse à neige, assurez-vous que le moteur soit ARRÊTÉ, que le câble de la bougie soit débranché et que toutes les pièces en mouvement soit arrêtées.</li> <li>• Ne mettez ni les mains ni les pieds près ou en dessous des pièces tournantes. Toujours se tenir à l'écart de l'ouverture d'éjection.</li> <li>• N'utilisez jamais la souffleuse à neige sans que les protections adéquates et tous les autres dispositifs de sécurité ne soient en place et en état de marche.</li> <li>• Ne laissez jamais la souffleuse à neige sans surveillance pendant que le moteur tourne. Toujours débrayer les commandes de tarière et de traction, arrêter le moteur et retirer les clés.</li> <li>• Gardez tout vêtement ample éloigné du devant de la souffleuse à neige et de la tarière. Les écharpes, moufles, lacets dénoués, vêtements amples et pantalons peuvent se prendre rapidement dans le dispositif tournant et occasionner des amputations. Nouez les cheveux longs et retirez les bijoux.</li> <li>• Faites tourner la machine quelques minutes après avoir déblayé la neige pour empêcher le collecteur ou la turbine de geler.</li> <li>• Débrayez le collecteur ou la turbine quand la souffleuse à neige est transportée ou n'est pas utilisée.</li> </ul>	


## Objets projetés

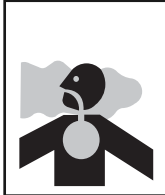
	<p style="text-align: center;"><b>⚠ DANGER</b></p> <p>Des objets peuvent se prendre dans la tarière et être rejetés par la goulotte. Ne rejetez jamais de la neige vers des personnes présentes et ne permettez à personne de se placer devant la souffleuse à neige. Le fait de ne pas observer ces instructions de sécurité provoquera de graves blessures, voire même la mort.</p>
<ul style="list-style-type: none"> <li>• Portez toujours des lunettes de sécurité ou des masques de protection pendant l'utilisation et lors de réglages ou de réparations.</li> <li>• Soyez toujours conscient de la direction vers laquelle la neige est rejetée. Des passants, des animaux domestiques ou des biens se trouvant à proximité peuvent être dangereusement atteints par des objets rejetés.</li> <li>• Soyez conscient de votre environnement lors de l'utilisation de la souffleuse à neige. Passer par-dessus des éléments tels que du gravier, des tapis, des journaux, des jouets ou des roches cachées sous la neige peut les faire tous rejeter par la goulotte ou se bloquer dans la tarière.</li> <li>• Faites preuve d'une extrême prudence lorsque vous utilisez la souffleuse ou lui faites traverser des chemins, des allées ou des routes de gravier.</li> <li>• Réglez la hauteur du carter du collecteur pour déblayer les surfaces en gravier ou en pierre concassée.</li> <li>• N'utilisez jamais la souffleuse à neige près d'enceintes vitrées, d'automobiles, de puits de fenêtre, de fossés et de tout ce qui peut s'y comparer, sans avoir procédé à un réglage adéquat de l'inclinaison de la goulotte d'éjection.</li> <li>• Familiarisez-vous avec la zone dans laquelle vous prévoyez d'utiliser la souffleuse à neige. Marquez les limites des allées et des voies d'accès.</li> </ul>	

## Enfants



	<p style="text-align: center;"><b>⚠ DANGER</b></p> <p>Des accidents tragiques peuvent survenir si l'utilisateur n'est pas alerté par la présence d'enfants. Les enfants sont souvent attirés par la machine et le soufflage de neige. Ne jamais supposer que les enfants resteront là où ils ont été vus pour la dernière fois.</p>
<ul style="list-style-type: none"> <li>• Gardez les enfants éloignés de la zone pendant l'utilisation. Les enfants sont souvent attirés par l'équipement. Soyez conscient de toutes les personnes présentes.</li> <li>• Soyez vigilant et arrêtez l'unité si des enfants pénètrent dans la zone.</li> <li>• N'autorisez jamais d'enfants à utiliser l'unité.</li> <li>• Faites preuve d'extrême précaution en approchant les coins aveugles, les buissons, les arbres ou d'autres objets pouvant altérer votre vision. Des enfants pourraient être présents.</li> </ul>	

## Sécurité du moteur

	<p style="text-align: center;"><b>⚠ DANGE</b></p> <p>L'utilisation en toute sécurité de la souffleuse à neige demande que le moteur soit entretenu de manière adéquate. Le fait de ne pas observer les instructions de sécurité de ce manuel provoquera de graves blessures, voire même la mort.</p>
<ul style="list-style-type: none"> <li>• Débrayez toutes les manettes et passez au point mort avant de démarrer le moteur.</li> <li>• Laissez le moteur s'adapter à la température de l'extérieur avant de commencer à déblayer la neige.</li> <li>• Utilisez un branchement à trois fils avec mise à la terre pour toutes les souffleuses à neige équipées de moteur de traction électrique ou de moteur à démarrage électrique.</li> </ul>	

	<p style="text-align: center;"><b>⚠ DANGER</b></p> <p>Les moteurs émettent du monoxyde de carbone, un gaz toxique sans odeur ni couleur. Respirer du monoxyde de carbone peut provoquer des nausées, des évanouissements, voire même la mort.</p>
<ul style="list-style-type: none"> <li>• Démarrez et faites tourner le moteur à l'extérieur.</li> <li>• Ne faites pas tourner le moteur dans un endroit clos, même si les portes ou les fenêtres sont ouvertes.</li> </ul>	

## Sécurité du moteur (suite)

	 <b>AVERTISSEMENT</b>
	<p>Le démarrage du moteur crée des étincelles. Les étincelles peuvent allumer les gaz inflammables à proximité. Ce qui pourrait provoquer une explosion ou un incendie.</p>
<ul style="list-style-type: none"> <li>• S'il y a une fuite de gaz naturel ou de GPL dans les environs, ne démarrez pas le moteur.</li> <li>• N'utilisez pas de fluides de démarrage sous pression en raison de l'inflammabilité des vapeurs.</li> </ul>	

	 <b>AVERTISSEMENT</b>
	<p>Le fonctionnement du moteur dégage de la chaleur. Les pièces du moteur, spécialement le pot d'échappement, deviennent extrêmement chaudes. Le fait de ne pas observer ces instructions de sécurité pourrait provoquer de graves brûlures thermiques de contact.</p>
<ul style="list-style-type: none"> <li>• Ne touchez jamais un moteur ou un pot d'échappement chauds. Laissez refroidir le pot d'échappement, le cylindre du moteur et les ailettes avant de les toucher.</li> <li>• Retirez les débris de la zone du pot d'échappement et du cylindre.</li> <li>• Installez et maintenez en bon état de marche un pare-étincelles avant d'utiliser l'équipement sur un terrain forestier, herbeux ou broussailleux.</li> <li>• <b>Modèles pour les États-Unis :</b> C'est une infraction à la Section 4442 du Code de ressources publiques de Californie (California Public Resource Code) d'utiliser ou de faire fonctionner le moteur sur ou à proximité de terrains forestiers, broussailleux ou herbeux à moins que le système d'échappement ne soit équipé d'un pare-étincelles conforme aux lois de l'état et locales en vigueur. D'autres provinces ou zones fédérales peuvent avoir des lois similaires.</li> </ul>	

## Entretien et remisage

	 <b>AVERTISSEMENT</b>
	<p>Cette souffleuse à neige doit être correctement entretenue pour assurer un fonctionnement et des performances en toute sécurité. Le fait de ne pas observer les instructions de sécurité de ce manuel provoquera de graves blessures, voire même la mort.</p>
<ul style="list-style-type: none"> <li>• Lors de tout entretien ou réparation sur la souffleuse à neige, ARRÊTEZ le moteur, débranchez le câble de bougie et gardez le câble éloigné de la bougie pour empêcher quiconque de démarrer accidentellement le moteur.</li> <li>• Vérifiez régulièrement que les boulons de cisaillement et les autres matériels soient correctement serrés pour vous assurer que la souffleuse à neige soit en bon état de marche.</li> <li>• Gardez les écrous et les boulons bien serrés et la souffleuse à neige en bon état de marche.</li> <li>• N'altérez jamais les dispositifs de sécurité. Vérifiez régulièrement leur bon fonctionnement et réparez le cas échéant.</li> <li>• Les composants sont soumis à l'usure, aux dommages et à la détérioration. Vérifiez fréquemment les composants et remplacez-les avec des pièces recommandées, le cas échéant.</li> <li>• Vérifiez fréquemment le fonctionnement des commandes. Ajuster et réparer le cas échéant.</li> <li>• Utilisez uniquement des pièces de rechange d'origine homologuées lors de réparations.</li> <li>• Conformez-vous toujours aux spécifications d'usine pour tous les réglages et ajustements.</li> <li>• Pour les entretiens ou les réparations importants, faites appel uniquement à des centres de service agréés.</li> <li>• Utilisez uniquement des appareils ou des accessoires homologués par le fabricant (tels que des masses d'équilibrage, des contrepoids ou des cabines).</li> <li>• Ne tentez jamais de procéder à des réglages pendant que le moteur tourne (sauf lorsque le fabricant le recommande spécifiquement).</li> </ul>	



**!** Ce symbole signale des consignes de sécurité importantes. Il signifie : « Attention ! Prenez garde ! Votre sécurité est menacée. »

**!** AVERTISSEMENT : Si des étiquettes de sécurité sont usées ou endommagées et ne sont plus lisibles, commander des étiquettes de rechange auprès du concessionnaire local.

Avant d'utiliser la souffleuse à neige, lire les étiquettes de sécurité apposées sur la souffleuse à neige. Les avertissements et mises en garde visent à protéger l'utilisateur. Pour écarter les risques de blessure corporelle ou de dommage de la souffleuse à neige, comprendre et respecter toutes les étiquettes de sécurité.



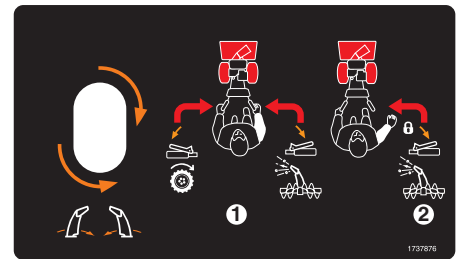
**Réf. 1736616**  
**Étiquette Vitesses**



**Réf. 1737870**  
**Étiquette de la commande de traction**



**Réf. 1737869**  
**Étiquette de la commande de tarière**



**Réf. 1737876**  
**Étiquette Tableau de bord principal**

### Étiquettes du moteur

WARNING	AVERTISSEMENT
Read and follow Operating Instructions before running engine.	Lire et suivre le mode d'emploi avant de faire tourner le moteur.
Gasoline is flammable. Allow engine to cool at least 2 minutes before refueling.	L'essence est inflammable. Laissez refroidir le moteur pendant au moins 2 minutes avant de faire le plein.
Engines emit carbon monoxide. DO NOT run in enclosed area.	Les moteurs émettent du monoxyde de carbone. NE PAS faire tourner le moteur dans des espaces clos.
Woolf area temperature may exceed 150°F. Do not touch hot parts.	Autour du silencieux, la température peut dépasser 150°F. Ne pas toucher des pièces chaudes.

**Réf. 278297**

**IMPORTANT ENGINE INFORMATION**  
BRIGGS & STRATTON CORPORATION  
FAMILY XXXXX, XXXXXX, XXXXXX  
THIS ENGINE MEETS 2008 CA EXH AND EPA PHASE 2 EMISSION REGULATIONS FOR SMALL OFF-ROAD ENGINES. REFER TO OWNER'S MANUAL FOR MAINTENANCE SPECIFICATIONS, ADJUSTMENTS, AND EMISSIONS DURABILITY INFORMATION.  
EPA EMISSIONS COMPLIANCE PERIOD: CATEGORY: X  
CA COMPLIANCE PERIOD: X  
DISP: XXXcc e111971835A XXXXXX XXXXXX

**Réf. 277953**

**Numéro d'identification du produit et étiquette du numéro de série (Arrière du carter du moteur)**

DANGER	
<b>Amputation Hazard</b> • Contact with auger will cause serious injury. • Keep hands, feet and clothing away. • Keep bystanders away.	<b>Risque d'amputation</b> • Tout contact avec la tarière provoquera de graves blessures. • Tenir vos pieds, vos mains et vêtements à distance. • Tenir les spectateurs à distance.
<b>Thrown Objects Hazard</b> • Never direct discharge chute towards persons or property.	<b>Danger objets projetés</b> • Ne jamais diriger la chute en direction des personnes ou biens matériels.
Read the operator's manual for operating and safety instructions.	Lire les consignes de sécurité et d'utilisation dans le manuel d'utilisation.
Shut off engine and remove key before performing maintenance or repair work.	Arrêter le moteur et retirer la clé avant d'effectuer tout entretien ou toute réparation.

**DANGER**

**Amputation hazard**  
Contact with moving parts inside chute will cause serious injury.  
• Shut off engine before unclogging discharge chute.  
• Use clean-out tool, not hands!

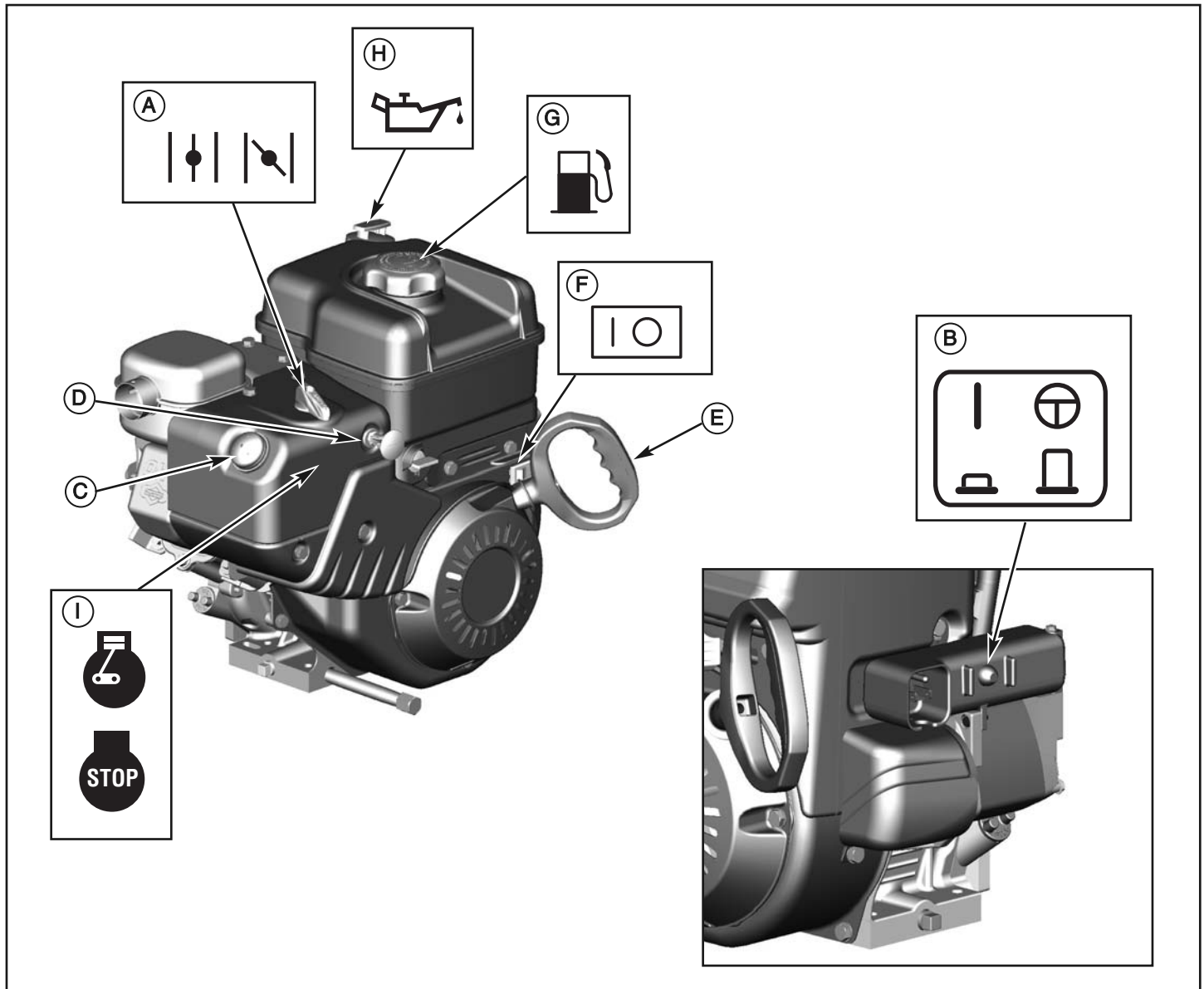
**Risque d'amputation**  
Tout contact avec des pièces en mouvement à l'intérieur de la goulotte provoquera de graves blessures.  
• Arrêter le moteur avant de dégager la goulotte d'éjection.  
• Utiliser l'outil de dégagement, pas les mains!

**Réf. 1737865**  
**Étiquette Danger goulotte**

**Réf. 1737866**  
**Auger Étiquette Danger vis sans fin**

## FONCTIONS ET COMMANDES

**REMARQUE:** Lire le **MANUEL D'INSTRUCTIONS** et les **SÉCURITÉ DE L'UTILISATEUR** avant d'utiliser la **SOUFFLEUSE À NEIGE**. Comparer les illustrations avec la souffleuse à neige pour se familiariser avec l'emplacement de ses commandes et réglages. Conserver ce manuel pour toute consultation ultérieure.



Commandes de moteur

Figure 2

### COMMANDES DU MOTEUR ET DE LA SOUFFLEUSE À NEIGE

#### COMMANDES DU MOTEUR

- A. Commande de starter** — Sert à démarrer le moteur à froid (voir Figure 2).
- B. Bouton de démarreur électrique** — Sert à lancer le moteur à l'aide du démarreur électrique.
- C. Bouton d'amorçage** — Sert à injecter de l'essence directement dans le collecteur de carburateur pour assurer des démarrages rapides par temps froid.
- D. Clé de sécurité** — Doit être introduite pour que le moteur démarre. La sortir pour couper le moteur. Ne pas tourner la clé de sécurité.
- E. Poignée de lanceur** — Sert à démarrer le moteur à la main.
- F. Interrupteur MARCHÉ/ARRÊT**

- G. Réservoir d'essence avec son bouchon**

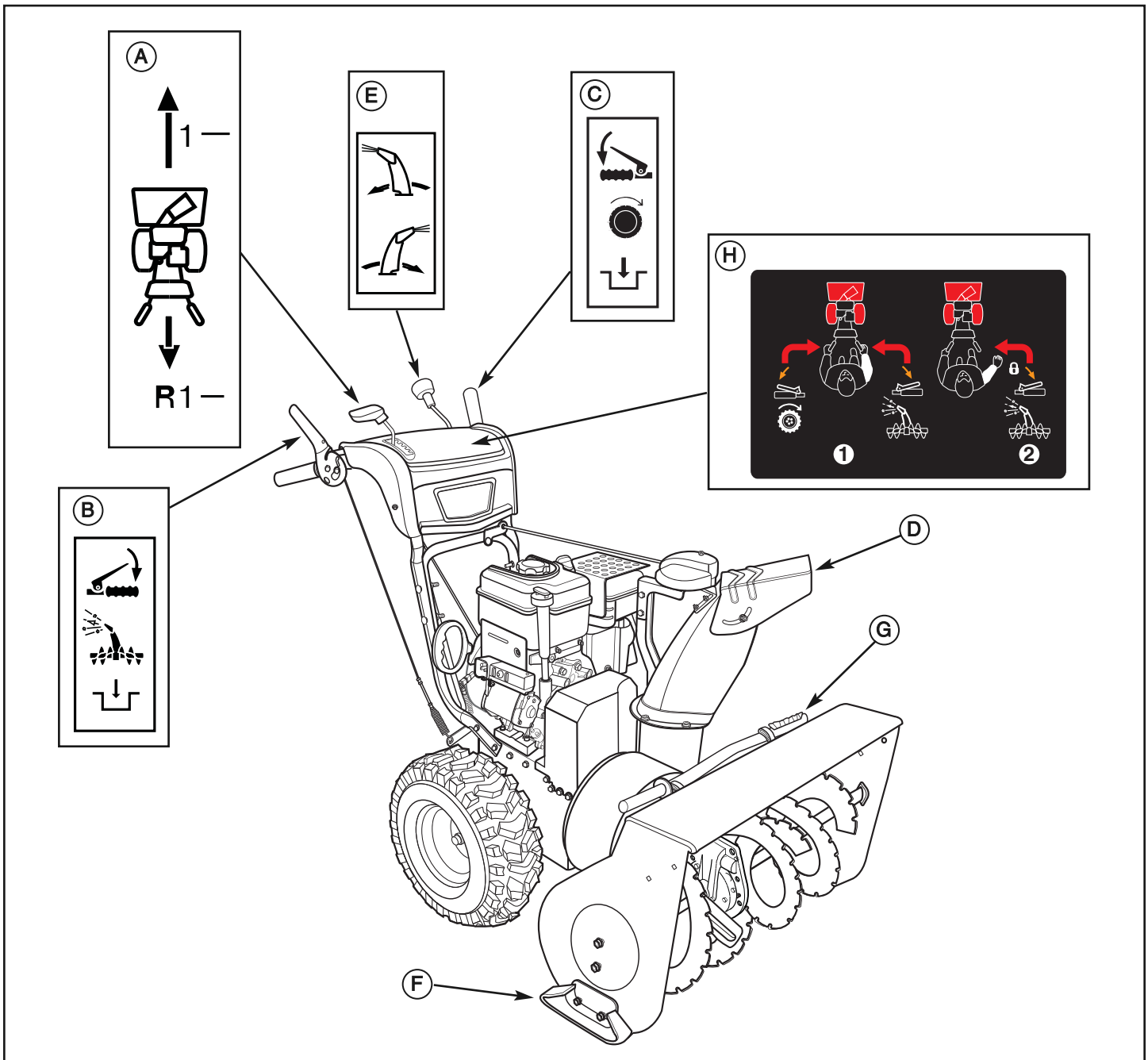
- H. Bouchon d'huile**

- I. Marche/Arrêt du moteur (emplacement du symbole)**

#### COMMANDES DE LA SOUFFLEUSE À NEIGE

- A. Levier du sélecteur de vitesse** — Permet de choisir un rapport de vitesse parmi les six (6) en marche avant et deux (2) en marche arrière (voir Figure 3). Pour changer de vitesse, amener le levier du sélecteur de vitesse jusqu'à la position souhaitée.

**REMARQUE :** Ne pas déplacer le levier de vitesse alors que l'embrayage de traction est engagé. Ceci peut gravement endommager le système d'entraînement.



Commandes de la souffleuse à neige

Figure 3

- B. Levier d'embrayage de vis sans fin** — Sert à engager et débrayer la vis sans fin et la turbine. Serrer vers le bas pour engager, relâcher pour débrayer.
- C. Levier d'embrayage de traction** — Sert à faire avancer la souffleuse à neige en marche avant ou arrière. Serrer vers le bas pour engager, relâcher pour débrayer.
- D. Déflecteur de goulotte d'éjection** — Sert à modifier la direction d'éjection de la neige.
- E. Manivelle** — Sert à modifier l'orientation d'éjection de la neige. Tourner la poignée dans le sens des aiguilles d'une montre pour tourner la goulotte vers la droite. Tourner la poignée dans le sens inverse pour tourner la goulotte vers la gauche.
- F. Patin** — Sert à ajuster la hauteur au sol du carter de vis sans fin.
- G. Outil de nettoyage** — Sert à enlever la neige et les débris de la goulotte d'éjection et du carter de la tarière.
- H. Commande Free-Hand(tm) (manuelle)** — Permet à l'opérateur de relâcher le levier de commande de tarière afin d'utiliser les autres contrôles, après l'engagement du contrôle de la traction (coté gauche) et la commande de tarière (coté droit).

## UTILISATION

### AVANT D'UTILISATION SOUFFLEUSE À NEIGE

- Contrôler la visserie. Vérifier que toute la visserie est bien serrée.
- Sur les modèles à démarreur électrique, la machine est livrée avec le cordon de démarreur branché sur le moteur. Avant utilisation, débrancher le cordon de démarreur du moteur.

**REMARQUE :** Cette souffleuse à neige est livrée AVEC DE L'HUILE dans le moteur. Voir les instructions « Avant de démarrer le moteur » dans la section UTILISATION de ce manuel avant de démarrer le moteur.

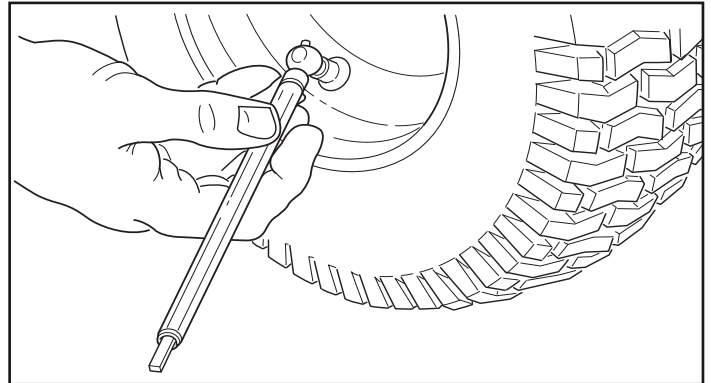
### CONTRÔLER LES PNEUS

Vérifiez les pneus pour les dommages. Vérifiez la pression d'air dans les pneus avec un manomètre précis (voir Figure 4).

**ATTENTION:** Éviter les blessures! La séparation des explosifs et de pneus et de jantes parties est possible quand ils sont mal desservis.

- Ne tentez pas de monter un pneu sans un équipement adéquat et l'expérience nécessaires pour effectuer le travail.
- Ne pas gonfler les pneus-dessus de la pression recommandée.
- Ne pas souder ou à la chaleur et une roue pneumatique. La chaleur peut causer une augmentation de la pression atmosphérique résultant en une explosion. Soudage structurellement peuvent affaiblir ou déformer la roue.
- Ne pas en avant ou sur le pneu lorsqu'un gonfler. Utilisez un approprié outil vous permettre un stand à côté.

**REMARQUE :** Vérifier la pression de gonflage maximale sur le flanc du pneu. NE PAS dépasser le maximum.



Vérifier la pression d'air des pneus

**Figure 4**



L'utilisation de toute souffleuse à neige peut provoquer la projection d'objets dans les yeux et causer de graves lésions oculaires. Toujours porter des lunettes de sécurité ou autre protection oculaire avant d'utiliser la souffleuse à neige. Nous conseillons le port de lunettes de sécurité standard ou d'un masque de sécurité Wide Vision par-dessus des lunettes correctrices.

## UTILISATION DE LA SOUFFLEUSE À NEIGE

**ATTENTION : Opération avec une neige Cab. Vent mai coup gaz d'échappement retour vers l'opérateur. Si vous remarquez l'odeur des gaz d'échappement, de changer de direction.**

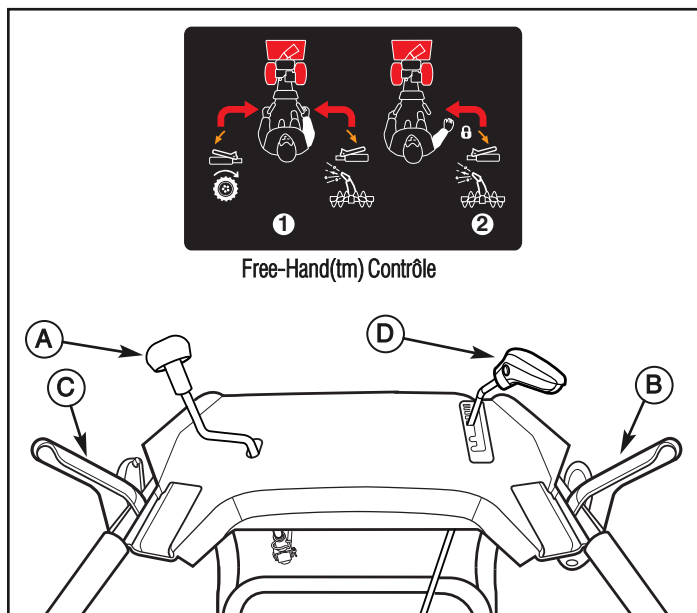
L'emploi le plus efficace de la souffleuse à neige se détermine par l'expérience, en tenant compte du terrain, du vent et de l'emplacement des bâtiments, qui établit la direction d'éjection de la goulotte.

**REMARQUE : Ne pas éjecter la neige en direction d'un bâtiment car des objets non visibles pourraient être projetés avec suffisamment de force pour causer des dommages.**

1. Démarrer le moteur. Voir « Démarrer le moteur » dans cette section.
2. Tourner la manivelle (A, Figure 5) pour régler l'orientation (de gauche à droite) de la goulotte d'éjection.

**ATTENTION : Avant utilisation, vérifier qu'il n'y a pas de personnes ni d'obstacles devant la souffleuse à neige.**

3. Entièrement appuyez et maintenez le contrôle de vis sans fin engager (B) sur la droite poignée de commencer la rotation tarière. Libérer la tarière exercer le contrôle de dégager la tarière - à moins que Free-Hand(tm) Contrôle a été activé.



Leviers de contrôle

Figure 5

4. Entièrement appuyez et maintenez le levier de commande de traction et levier de Free-Hand(tm) Contrôle (C) et le maintenir enfoncé sur la poignée gauche pour embrayer l'entraînement de traction et commencer à déplacer la souffleuse à neige. Pour débrayer l'entraînement de traction, relâcher complètement le levier.
5. Lorsque les deux leviers sont déprimés, le levier de Free-Hand(tm) Contrôle est activé. Cela permet contrôle de vis sans fin engager à être remis en liberté - POURTANT VIS SANS FIN ROTATION CONTINUERA - jusqu'à la levier de Free-Hand(tm) Contrôle est libéré.

**REMARQUE : Toujours libérer le levier de commande de traction avant de déplacer le levier du sélecteur de vitesse.**

6. Utilisez le levier du sélecteur de vitesse (D) pour sélectionner la vitesse de marche avant. Réglez le levier du sélecteur de vitesse à l'une des positions suivantes comme déterminé par les conditions de neige:

- |       |   |
|-------|---|
| 1 – 2 | Neige mouillée, lourde, fondante, très profonde |
| 3     | Neige moyenne                                   |
| 4 – 5 | Neige très légère                               |
| 6     | Transport uniquement                            |

**REMARQUE : Pour déblayer de la neige humide et lourde, il est conseillé de réduire la vitesse de déplacement de la machine, de garder la commande des gaz à fond et de ne pas déneiger sur la pleine largeur de la machine.**

7. Pour arrêter le déplacement en marche avant, relâcher le levier de commande de traction (C).
8. Pour faire reculer la souffleuse à neige, placer le levier sélecteur de vitesse dans la première ou seconde position de marche arrière et engager le levier de commande de traction.

## ARRÊTER LA SOUFFLEUSE À NEIGE

1. Relâcher le levier de commande de vis sans fin (B, Figure 5).
2. Relâcher le levier de commande de traction (C).
3. Placer le commutateur de ON/OFF (A, Figure 12) en position OFF (Arrêt) et sortir la clé de sécurité (B).

**AVERTISSEMENT : Lire le manuel d'instruction avant d'utiliser la machine. Une utilisation imprudente de cette machine peut s'avérer dangereuse.**

- Ne jamais utiliser la souffleuse à neige sans tous ses capots, grilles et autres protections en place.
- Ne jamais diriger l'éjection vers des fenêtres ni laisser des personnes s'approcher de la machine alors que le moteur est en marche.
- Toujours arrêter le moteur avant de quitter la position de conduite.
- Débrancher la bougie avant de déboucher le carter de vis sans fin ou la goulotte d'éjection et avant d'effectuer des réglages ou réparations.
- Avant de quitter la machine, enlever la clé de contact. Pour réduire le risque de feu, garder la machine propre et exempte d'éclaboussures d'essence, d'huile et autres débris.

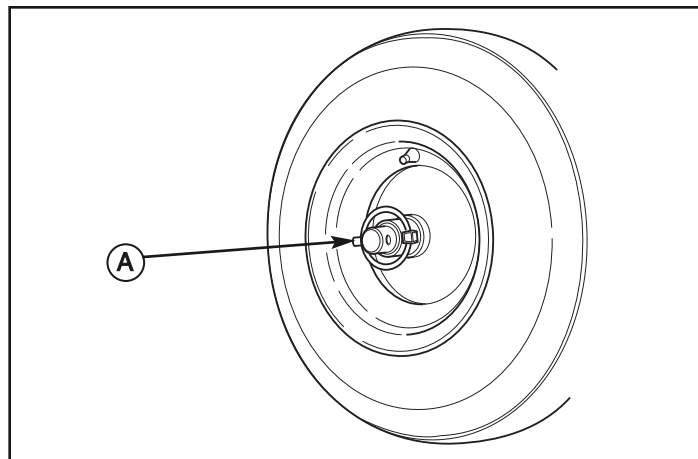
**AVERTISSEMENT : Ne jamais faire tourner le moteur à l'intérieur ou dans des endroits clos et mal ventilés. Les gaz d'échappement du moteur contiennent du MONOXYDE DE CARBONE, un GAZ INODORE et MORTEL.**

- Garder les mains, les pieds, les cheveux et les vêtements amples à l'écart des pièces en mouvement du moteur et de la souffleuse à neige.
- La température du silencieux et de son voisinage peut dépasser 66 °C (150 °F). Éviter ces zones.
- NE PAS laisser d'enfants ni de jeunes adolescents utiliser ni s'approcher de la souffleuse à neige durant la marche.

## UTILISATION

### TRACTION GOUPILLE DE SÛRETÉ

Le droit de traction des roues peut être complètement libéré en utilisant la goupille de sûreté (A, Figure 6). Cela permet à l'unité de le déplacer facilement avec le moteur coupé.



Traction goupille de sûreté

Figure 6

### CONTRÔLER LE NIVEAU D'HUILE (AVANT DE DÉMARRER LE MOTEUR)

**REMARQUE : Le moteur est livré d'usine rempli d'huile. Contrôler le niveau d'huile. Compléter le niveau le cas échéant.**

1. S'assurer que la machine est de niveau. Utiliser une huile détergente de haute qualité classée « Service SG, SH, SJ, SL ou plus ».
2. Ouvrir le bouchon-jauge d'huile (A, Figure 7) et l'essuyer avec un chiffon propre
3. Remettre le bouchon-jauge d'huile en place et tourner dans le sens des aiguilles d'une montre pour serrer.
4. Ouvrir le bouchon-jauge d'huile et vérifier le niveau d'huile.

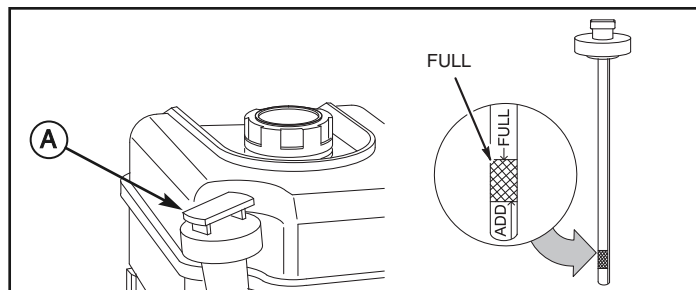
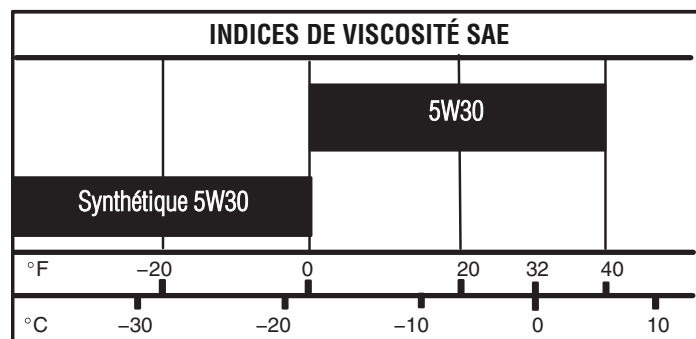
**REMARQUE : Ne pas vérifier le niveau d'huile durant la marche du moteur.**

5. Le cas échéant, ajouter de l'huile jusqu'au repère FULL (Plein) sur le bouchon-jauge d'huile. Ne pas ajouter trop d'huile.
6. Bien serrer le bouchon-jauge d'huile après chaque contrôle du niveau d'huile.

**REMARQUE : Par très grand froid, au dessous de -18 °C (0 °F), utiliser une huile moteur 5W30 synthétique pour faciliter le démarrage.**

**REMARQUE : L'huile moteur S.A.E. 5W30 peut être utilisée pour faciliter le démarrage par des températures de -7 à -18 °C (20 à 0 °F). L'huile synthétique 5W30 est utilisable à toutes températures. NE PAS mélanger l'huile avec l'essence. Voir les huiles recommandées dans le tableau ci-contre.**

TEMPÉRATURE	TYPE D'HUILE
-18 °C (0 °F) et au-dessus	S.A.E. 5W30
-18 °C (0 °F) et en dessous	Synthétique 5W30



Contrôler le niveau d'huile

Figure 7

## REEMPLIR LE RÉSERVOIR D'ESSENCE

Ce moteur est certifié pour fonctionner à l'essence. Système de contrôle des émissions d'échappement : EM (modifications moteur).

Remplir le réservoir d'essence avec de l'essence automobile ordinaire ou super sans plomb ou reformulée, fraîche et propre, d'indice d'octane minimum de 85, en ajoutant un stabilisateur de carburant (suivre les instructions sur l'emballage du stabilisateur de carburant). **NE PAS** utiliser d'essence au plomb. Il est conseillé d'ajouter du stabilisateur de carburant à l'essence chaque fois que l'on ajoute de l'essence au réservoir.

**REMARQUE** : L'essence de qualité hivernale est plus volatile pour améliorer le démarrage. Vérifier que le bidon est propre et exempt de toute saleté et autres matières étrangères. Ne jamais utiliser d'essence susceptible d'être éventée suite à une conservation prolongée dans le bidon.

**ATTENTION** : NE PAS utiliser une essence contenant une quelconque quantité d'alcool car cela présente des risques de dommages graves du moteur ou de baisse de performances notable.

**AVERTISSEMENT** : L'essence est inflammable. Toujours faire preuve de précaution pour manipuler ou entreposer l'essence. Couper le moteur et le laisser refroidir pendant au moins deux minutes avant d'ouvrir le bouchon du réservoir. Ne pas verser d'essence dans le réservoir alors que la souffleuse à neige est en marche, chaude ou placée dans un endroit fermé. Rester à l'écart de flammes nues ou d'étincelles électriques et **NE PAS FUMER** durant le remplissage du réservoir. Ne jamais complètement remplir le réservoir d'essence ; le remplir jusqu'à 3,8 mm (1-1/2 pouces) du haut pour permettre la dilatation de l'essence. Toujours faire le plein d'essence à l'extérieur et utiliser un entonnoir ou un bec verseur pour éviter les débordements accidentels. Veiller à essuyer toute éclaboussure d'essence avant de démarrer le moteur.

Conserver l'essence dans un récipient homologué propre et garder le bouchon en place sur le récipient. Garder l'essence dans un endroit frais et bien ventilé, jamais dans la maison. Pour garantir sa volatilité, ne jamais acheter plus de 30 jours de réserve d'essence. L'essence est destinée à servir de carburant pour moteur à explosion ; par conséquent, ne pas l'utiliser à d'autres fins. Beaucoup d'enfants aiment l'odeur de l'essence, c'est pourquoi elle doit être gardée hors de leur porte, car elle dégage des valeurs dangereuses en cas d'inhalation, mais également explosives.

## DÉMARRER LE MOTEUR

Vérifier que le niveau d'huile moteur est sur le repère FULL du bouchon-jauge d'huile. Le moteur de la souffleuse à neige est équipé d'un démarreur électrique à courant secteur et d'un lanceur à enrouleur. Avant de démarrer le moteur, veiller à bien lire les informations ci-dessous.

Si le moteur est noyé, placer le starter en position OPEN/RUN et lancer le moteur jusqu'à ce qu'il démarre.

**AVERTISSEMENT** : Le démarreur électrique est équipé d'un cordon d'alimentation à trois fils et fiche compatible avec le courant secteur domestique. Le cordon d'alimentation doit être en permanence correctement relié à la terre pour écarter le risque de décharge électrique pour l'utilisateur. Suivre les instructions suivantes avec attention :

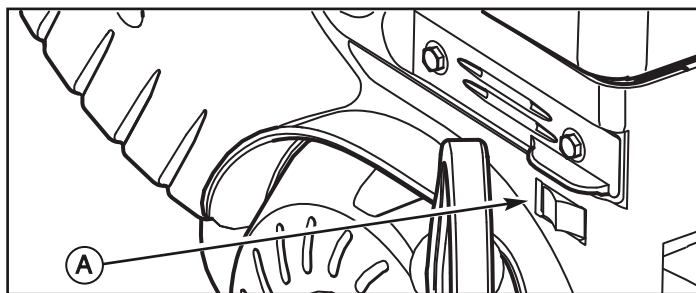
Vérifier que le circuit électrique de la maison est de type à trois fils avec terre. En cas de doute, consulter un électricien agréé. Si la maison ne comporte pas de circuit électrique à trois fils avec terre, ne pas utiliser le démarreur électrique. Si la maison comporte un circuit électrique à trois fils avec terre mais qu'aucune prise n'est disponible pour brancher le démarreur électrique, faire installer une prise avec terre par un électricien agréé.

**AVERTISSEMENT** : Pour brancher le cordon d'alimentation, toujours raccorder d'abord le cordon au boîtier de commutateur sur le moteur, puis brancher l'autre bout sur une prise de courant avec terre.

**AVERTISSEMENT** : Pour débrancher le cordon d'alimentation, toujours débrancher d'abord le côté branché sur la prise de courant avec terre.

Démarrer le moteur de la manière suivante :

1. Contrôler le niveau d'huile. Voir la section « Contrôler/compléter le niveau d'huile » dans le MANUEL DU MOTEUR.
2. S'assurer que les commandes d'entraînement de la machine sont débrayées.
3. Placer le commutateur de ON/OFF (A, Figure 8) en position ON.



Démarrer le moteur

Figure 8

4. Insérer la clé de sécurité (A, Figure 9) dans le contact du moteur et l'enfoncer complètement jusqu'en position de MARCHE.
5. Tourner le bouton de starter (B) complètement dans le sens des aiguilles d'une montre si le moteur est froid.

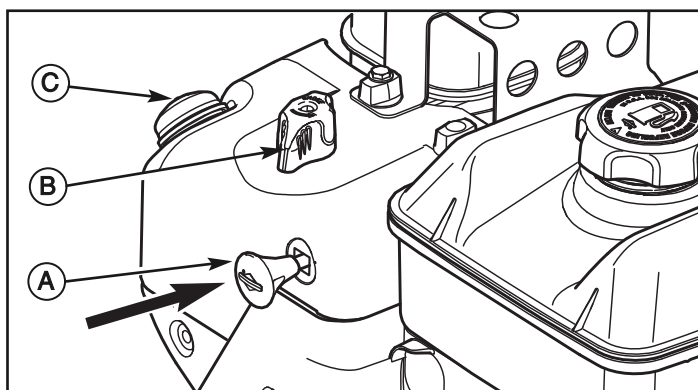
**REMARQUE** : Ne pas utiliser le starter pour faire démarrer un moteur chaud.

6. Appuyer deux fois sur le bouton d'amorçage (C).

**REMARQUE** : Ne pas utiliser le bouton d'amorçage pour faire démarrer un moteur chaud.

**REMARQUE** : Veiller à ce que la rallonge électrique est retiré du pouvoir récipient.

## UTILISATION



Insérer la clé de sécurité

Figure 9

7. **Démarrage par lanceur** : Tenir fermement la poignée du cordon de lanceur (A, Figure 10). Tirer le cordon du lanceur lentement jusqu'à sentir une résistance, puis tirer rapidement.

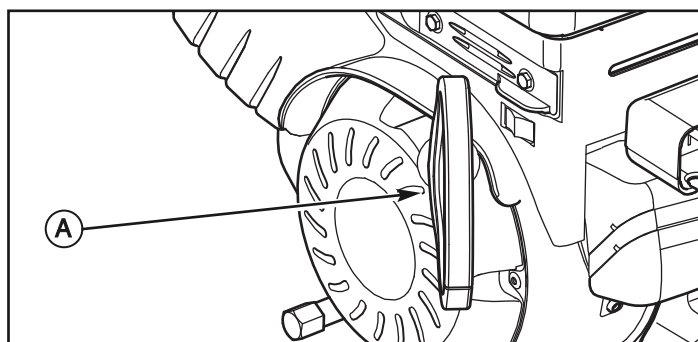
**AVERTISSEMENT** : Un retrait rapide du cordon de lanceur (effet de rebond) peut tirer la main ou le bras vers le moteur avant d'avoir pu relâcher le cordon et provoquer des fractures, contusions ou entorses. Pour démarrer le moteur, tirer le cordon du lanceur lentement jusqu'à sentir une résistance puis tirer rapidement pour éviter le rebond.

**REMARQUE** : Si le moteur ne démarre pas au bout de trois essais, voir la section Dépannage du manuel de moteur.

8. **Démarrage électrique** : Brancher le cordon de rallonge d'abord sur la prise pour cordon d'alimentation puis sur une prise murale. Si une rallonge supplémentaire est nécessaire, vérifier qu'elle est de type à trois fils.

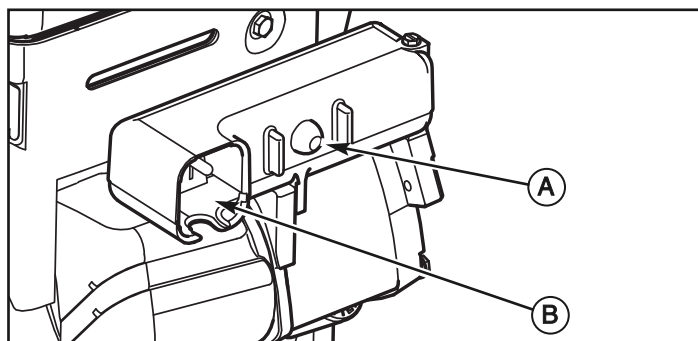
**AVERTISSEMENT** : Si le cordon est endommagé, il doit être remplacé par le fabricant (ou son représentant de service après-vente) ou par une personne qualifiée afin d'écartier tout danger.

9. **Démarrage électrique** : Appuyer sur le bouton-poussoir de démarrage (A, Figure 11). Une fois que le moteur a démarré, débrancher d'abord le cordon de la prise murale et puis de la prise pour cordon d'alimentation (B).



Poignée du cordon de lanceur

Figure 10



Démarrage électrique

Figure 11

**IMPORTANT** : Pour prolonger la durée de vie du démarreur, utiliser des cycles de démarrage courts (cinq secondes maximum). Attendre une minute entre les cycles de démarrage.

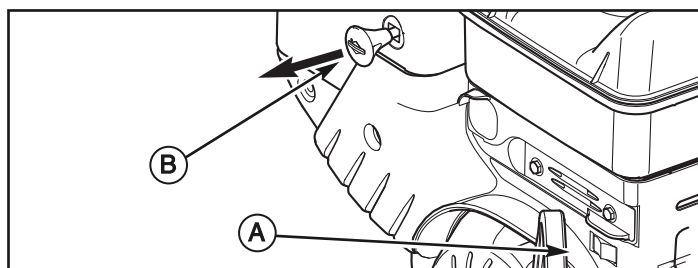
**REMARQUE** : Si le moteur ne démarre pas au bout de trois essais, voir la section Dépannage du manuel de moteur.

## ARRÊTER LE MOTEUR

Faire tourner le moteur pendant quelques minutes pour faire évaporer toute humidité présente sur le moteur.

**AVERTISSEMENT** : L'essence et ses vapeurs sont extrêmement inflammables et explosives. Le feu ou l'explosion peuvent provoquer des brûlures graves ou la mort. NE PAS utiliser le starter pour arrêter le moteur.

1. Placer le commutateur de ON/OFF (A, Figure 12) en position de OFF.
2. Retirer la clé de sécurité (B). Conserver la clé de sécurité hors de portée des enfants.



D'arrêter le moteur

Figure 12

**REMARQUE** : Ne pas perdre la clé de contact/sécurité. Conserver la clé de contact/sécurité dans un endroit sûr. Le moteur ne démarre pas sans la clé de contact/sécurité.

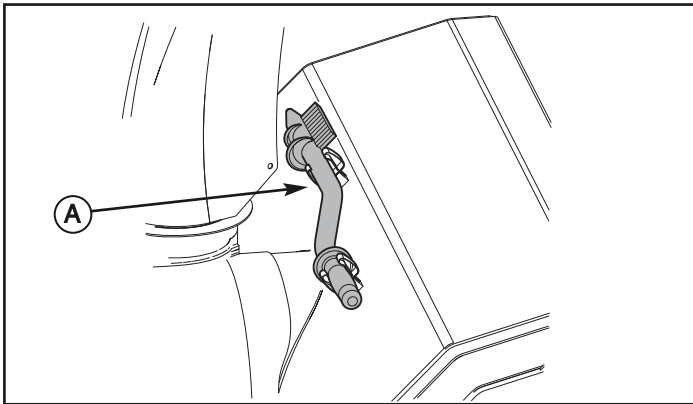


## DÉGAGER UNE GOULOTTE D'ÉJECTION OBSTRUÉE

**⚠ DANGER : Le contact des mains avec la turbine en rotation à l'intérieur de la goulotte d'éjection est la cause la plus courante de blessure associée aux souffleuses à neige. Jamais claire ou de désengorger la goulotte d'éjection avec vos mains, ou lorsque le moteur est en marche. Les doigts peuvent devenir rapidement capturés et l'amputation traumatique ou des lacérations graves peuvent en résulter.**

- **ARRÊTER LE MOTEUR !**
- **Attendre 10 secondes jusqu'à l'arrêt complet des lames de la turbine.**
- **Toujours utiliser un outil de nettoyage, pas les mains.**

Une **outil de nettoyage** est attaché soit au guidon, soit sur le dessus du carter de vis sans fin (A, Figure 13). Utiliser l'**outil de nettoyage** pour éliminer la neige du carter de vis sans fin.



Outil de nettoyage

**Figure 13**

## CONSEILS D'UTILISATION

1. Le déneigement se fera de façon d'autant plus efficace que la neige est déblayée immédiatement après être tombée.
2. Pour enlever toute la neige, chevaucher légèrement chaque bande précédemment dégagée.
3. Autant que possible, projeter la neige dans le sens du vent.
4. En mode d'utilisation normal, régler les patins à 3 mm (1/8 pouce) sous le niveau de barre de raclage. Sur les surfaces de neige très compactée, les patins peuvent être remontés pour assurer un déblaiement efficace.
5. Sur les surfaces de gravier ou de pierres concassées, régler les patins à 32 mm (1-1/4 pouces) sous le niveau de la barre de raclage (voir « Régler la hauteur des patins » dans la section ENTRETIEN de ce manuel). Les pierres et le gravier ne doivent pas être ramassés et éjectés par la machine.
6. Une fois l'opération de déneigement terminée, laisser le moteur tourner au ralenti pendant quelques minutes pour faire fondre la neige et la glace accumulées sur le moteur.
7. Nettoyer la souffeuse à neige avec soin après chaque utilisation.
8. Nettoyer les dépôts de neige et tous les débris de l'ensemble de la souffeuse à neige puis la rincer à l'eau (si possible) pour éliminer tout le sel et autres substances chimiques. Essuyer la souffeuse à neige.
9. Avant de démarrer la souffeuse à neige, toujours vérifier l'absence dans la vis sans fin et la turbine de glace ou de débris susceptibles d'endommager la machine.
10. Vérifier le niveau d'huile avant chaque démarrage. S'assurer que le niveau d'huile est sur le repère FULL du bouchon-jauge d'huile.

CONSEILS D'ENTRETIEN									
PROCÉDURE		PREMIÈRES 2 HEURES	AVANT CHAQUE UTILISATION	SOUVENT	TOUTES LES 5 HEURE	TOUTES LES 10 HEURES	TOUTES LES 25 HEURES	AU DÉBUT DE CHAQUE SAISON	AVANT REMISAGE
SOUFFLEUSE À NEIGE	Serrer tous les boulons et écrous	✓		✓				✓	
	Vérifier le réglage du câble de traction (voir Réglage des câbles)	✓						✓	
	Vérifier le réglage du câble de vis sans fin (voir Réglage des câbles)	✓				✓		✓	
	Ajuster les courroies d'entraînement	✓					✓	✓	
	Lubrifier les chaînes et l'arbre hexagonal							✓	✓
	Lubrifier l'arbre de vis sans fin (voir Remplacement de goupille de cisaillement)					✓			✓
	Lubrifier la tringlerie main libre	✓				✓		✓	
MOTEUR	Huile, contrôler le niveau		✓		✓			✓	
	Huile, changer	✓					✓	✓	

**REMARQUE: La garantie de cette souffleuse à neige ne couvre pas les éléments ayant subi un emploi abusif ou des négligences. Pour bénéficier pleinement de la garantie, veiller à entretenir la souffleuse à neige conformément aux instructions de ce manuel.**

Les **Conseils d'entretien** ci-dessus ont pour objet de permettre un entretien correct de la souffleuse à neige. Il ne s'agit que d'une liste récapitulative. Les réglages mentionnés sont décrits dans la section ENTRETIEN de ce manuel.

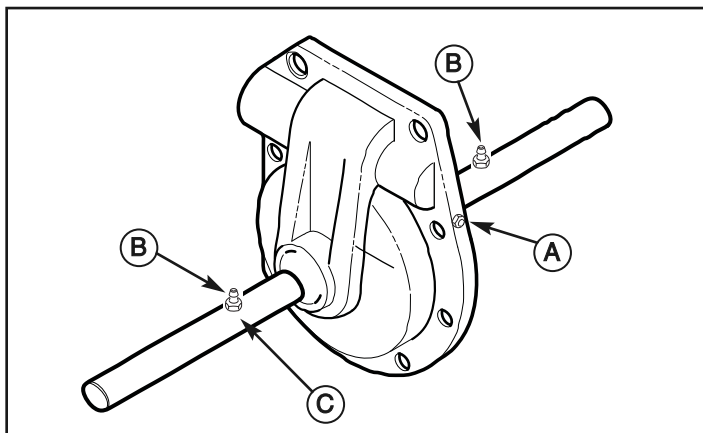
## APRÈS CHAQUE UTILISATION

1. Vérifier qu'il n'y a pas de pièces desserrées ou endommagées.
2. Resserrer tous les boulons desserrés.
3. Contrôler et assurer l'entretien de la vis sans fin.
4. Après chaque utilisation, enlever toute la neige et la glace fondante de la souffleuse à neige pour empêcher le gel de la vis sans fin ou des commandes.
5. Vérifier que les commandes fonctionnent correctement.
6. Remplacer immédiatement toute pièce usée ou endommagée.

## GRAISSAGE DE LA BOÎTE D'ENGRENAGE DE VIS SANS FIN

La boîte d'engrenage de vis sans fin est graissée d'usine et ne nécessite normalement aucun graissage supplémentaire. Si, pour une quelconque raison, la graisse s'est vidée ou suite à une réparation de la boîte d'engrenage, ajouter de la graisse Lubriplate GR132 ou équivalent. Utiliser un maximum 92 grammes (3-1/4 onces).

Ouvrir le bouchon de graissage (A, Figure 14) une fois par an. Si la graisse est visible, ne rien ajouter. Si la graisse n'est pas visible, utiliser un morceau de fil de fer en guise de jauge pour vérifier s'il y en a dans la boîte d'engrenage. Les graisses Mobilux EP1 et Shell Alvania EP1 sont des équivalents acceptables.



Graissage de la boîte d'engrenage de vis sans fin

Figure 14

## GRAISSAGE DE L'ARBRE DE VIS SANS FIN

1. Utiliser une pompe à graisse manuelle sur les graisseurs zerk de l'arbre de vis sans fin (B, Figure 14) toutes les dix (10) heures d'exploitation. Chaque fois qu'une goupille de cisaillement est remplacée, la vis sans fin (C) doit IMPÉRATIVEMENT être graissée. (Voir « Changer les goupilles de cisaillement de vis sans fin » dans cette section.)
2. Pour le remisage ou lors du remplacement de goupilles de cisaillement, déposer les goupilles et lubrifier les graisseurs zerk de l'arbre de vis sans fin (B). Faire tourner la vis sans fin plusieurs fois sur son arbre et remettre les goupilles de cisaillement en place.

## CONTRÔLER/LUBRIFIER LA TRINGLERIE MAIN LIBRE

Vérifier le fonctionnement des commandes main libre. Les commandes doivent fonctionner conformément aux indications de la section UTILISATION.



**AVERTISSEMENT** Pour des raisons de sécurité, il est essentiel que les commandes se débrayent lorsqu'elles sont relâchées.

Si les commandes ne fonctionnent pas correctement, par les lubrifier (voir Figure 15).

**NOTICE:** La machine ne doit jamais être utilisée si les commandes ne fonctionnent pas correctement.



Contrôles de graissage

Figure 15

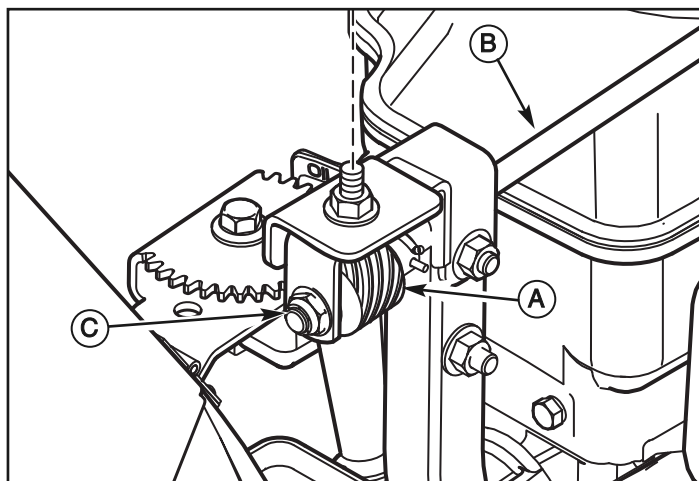
## LUBRIFIER LE PIGNON DE ROTATION DE GOULOTTE

Lubrifier le **ignon de rotation de goulotte** (A, Figure 16) et arbre avec (B) une huile de type automobile toutes les vingt-cinq (25) heures d'exploitation.

## RÉGLER LE TIRAGE SUR LA GOULOTTE DE ROTATION

**REMARQUE :** Après une utilisation répétée, l'engrenage de rotation de la goulotte peut se desserrer, et la goulotte peut ainsi s'éloigner du centre.

Régler le tirage en serrant l'écrou (C, Figure 16). En faisant cela vous limitez le mouvement de la goulotte sans que l'opérateur n'ai à tourner le vilebrequin de rotation de la goulotte.



Pignon de rotation de goulotte

Figure 16

## ENTRETIEN DU MOTEUR

**Contrôler le niveau d'huile moteur** avant de démarrer le moteur et toutes les 8 heures d'utilisation continue. Ajouter de l'huile moteur préconisée le cas échéant.

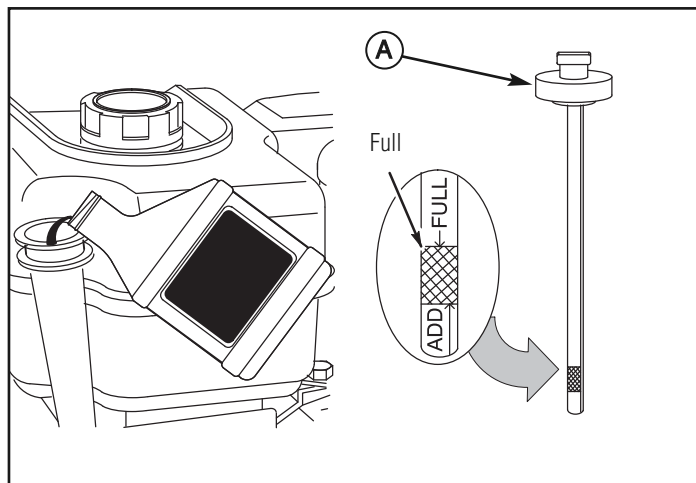
**REMARQUE : Un excès d'huile peut perturber le fonctionnement du moteur. Bien serrer le bouchon d'huile pour éviter les fuites.**

**Changer l'huile** toutes les 50 heures d'exploitation ou, au minimum, une fois par an, même si la souffleuse à neige n'a pas été utilisée pendant cinquante heures. Utiliser une huile détergente de haute qualité propre. Remplir le carter d'huile jusqu'au repère FULL (Plein) de la jauge (A, Figure 17). Vérifier que l'huile a un indice A.P.I. « SF » ou supérieur. Ne pas utiliser d'huile SAE 10W40 (car la lubrification peut être insuffisante).

**Voir les huiles recommandées dans le tableau ci-contre.**

**Vidanger l'huile** – Placer la souffleuse à neige de telle façon que le bouchon de vidange d'huile soit au point le plus bas. Lorsque le moteur est chaud, déposer le bouchon de vidange et le bouchon de remplissage et vidanger l'huile dans un récipient adapté (A, Figure 18).

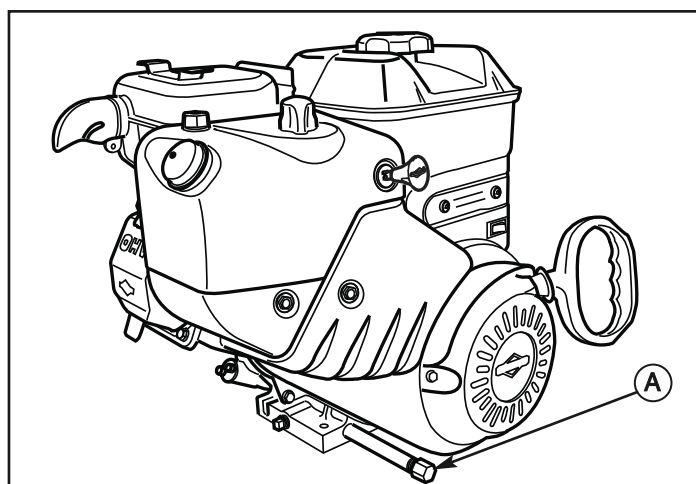
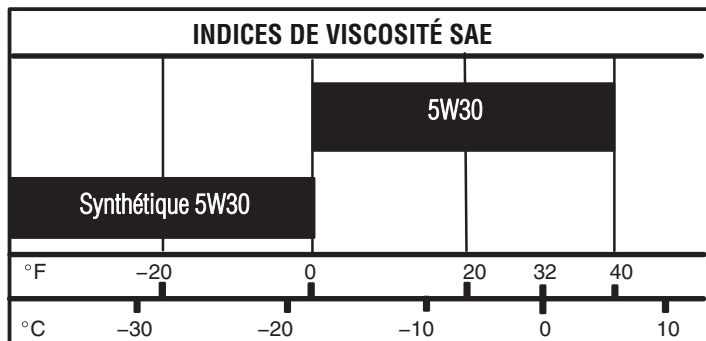
Remettre le bouchon de vidange en place et bien serrer. Remplir le carter d'huile avec l'huile moteur préconisée.



Contrôler le niveau d'huile moteur

Figure 17

TEMPÉRATURE	TYPE D'HUILE
-18 °C (0 °F) et au-dessus	S.A.E. 5W30
-18 °C (0 °F) et en dessous	Synthétique 5W30



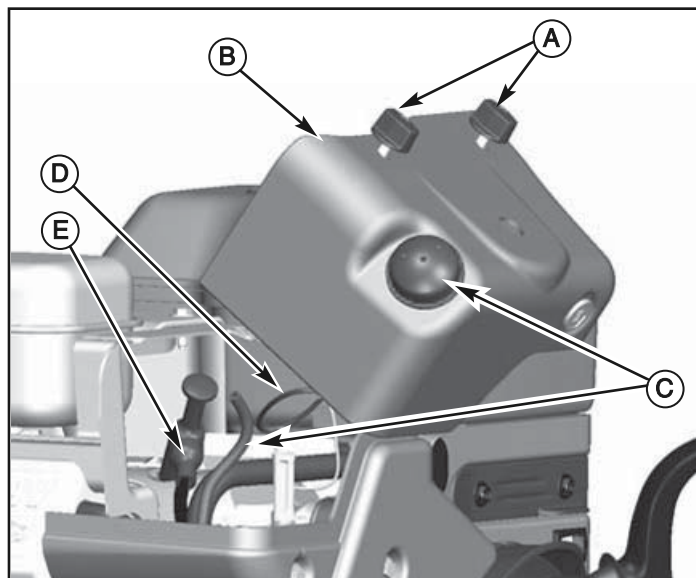
Bouchon de vidange d'huile

Figure 18

## CHANGER LA BOUGIE D'ALLUMAGE

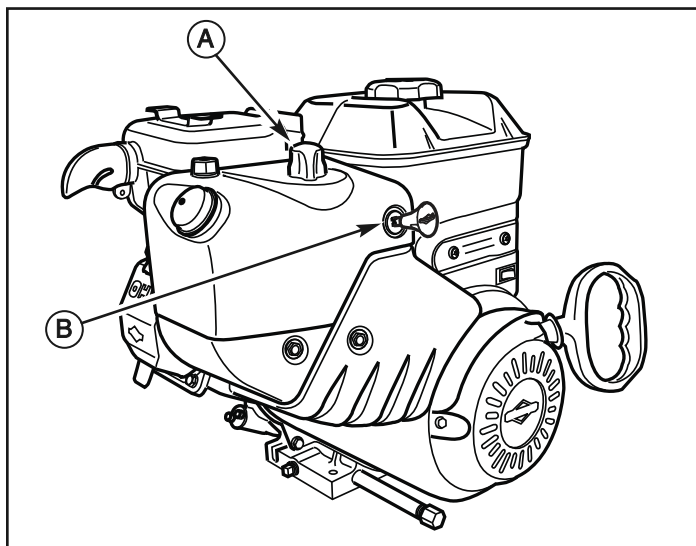
### Déposer le capot à neige

1. Déposer le bouton de commande de starter (A, Figure 19).
2. Retirer la clé de sécurité (B).
3. Déposer les vis de fixation (A, Figure 20)
4. Enlever lentement le capot à neige (B). Vérifier que le tuyau du bouton d'amorçage (C) et le câble d'allumage (D) ne sont pas débranchés.
5. La bougie (E) est à présent accessible.
6. Avant de poser le capot à neige, vérifier d'abord que le tuyau du bouton d'amorçage et le câble d'allumage sont branchés.
7. Poser le capot à neige sur le moteur et l'attacher avec les vis de fixation.
8. Raccorder le bouton de commande de starter (A, Figure 21) à l'arbre de starter sur le carburateur (B). Vérifier que le bouton de commande de starter est correctement remonté. Si le bouton de commande de starter n'est pas posé correctement, le starter ne fonctionnera pas.
9. Remettre en place la clé de sécurité (C).



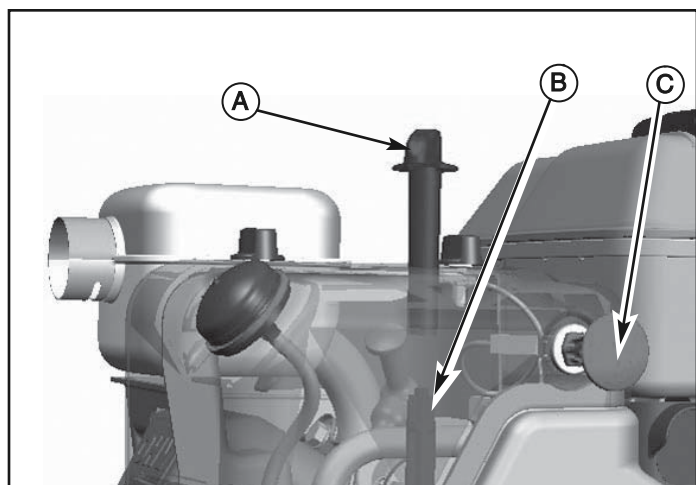
Retirez le capot de souffleuse à neige

**Figure 20**



Moteur de souffleuse à neige

**Figure 19**



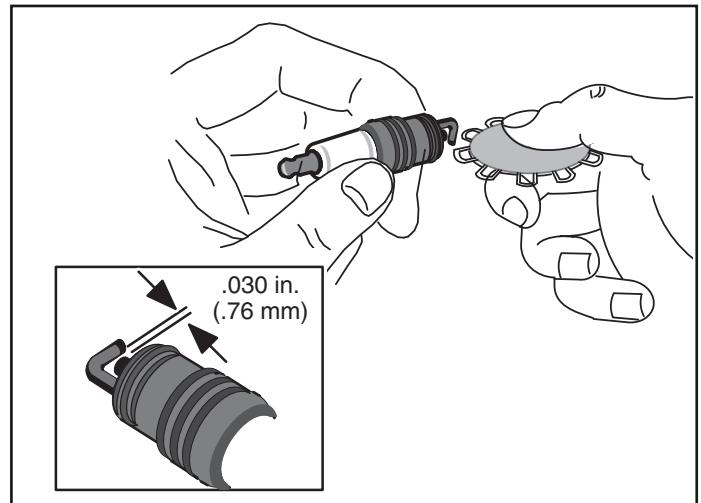
Raccorder le bouton de commande de starter

**Figure 21**

## Régler ou changer la bougie

Contrôler la **bougie** toutes les vingt-cinq (25) heures de marche. Changer la bougie (Figure 22) si les électrodes sont piquées ou brûlées ou si la porcelaine est fissurée.

1. Déposer le capot à neige (Voir la section "DÉPOSER LE CAPOT À NEIGE").
2. Nettoyer la bougie et régler l'écartement à intervalles réguliers.
3. Nettoyer la surface qui entoure la base de la bougie avant de la déposer afin d'éviter de faire tomber de la saleté dans le moteur.
4. Changer la bougie si les électrodes sont piquées ou brûlées ou si la porcelaine est fissurée.
5. Gratter avec précaution les électrodes de la bougie (ne pas nettoyer par sablage ni avec une brosse métallique).
6. S'assurer que la bougie est propre et exempte de toute matière étrangère. Vérifier l'écartement des électrodes avec une jauge d'épaisseur et le régler sur 0,76 mm (0,030 pouce) le cas échéant. Si une bougie neuve est requise, voir la bougie de rechange correcte dans la section PIÈCES DE RECHANGE de ce manuel.
7. Avant de remonter la bougie, enduire légèrement le filetage d'une graisse graphitée pour assurer une dépose facile.
8. Serrer fermement la bougie sur le moteur. Le cas échéant, utiliser une clé dynamométrique pour serrer à un couple de 24,4 à 31,2 Nm (18 à 23 ft-lbs).



Changer la bougie

Figure 22

**AVERTISSEMENT : Toujours éteindre la machine, sortir la clé de contact et débrancher le câble de la bougie avant toute opération d'entretien ou de réparation.**

## RÉGLER LA HAUTEUR DES PATINS

La souffleuse à neige est équipée de deux patins de réglage de hauteur fixés sur l'extérieur du carter de vis sans fin. Ils servent à relever l'avant de la souffleuse à neige.

Pour déneiger une surface dure telle qu'une allée ou une voie de garage goudronnée, régler les patins de manière à abaisser l'avant de la souffleuse à neige.

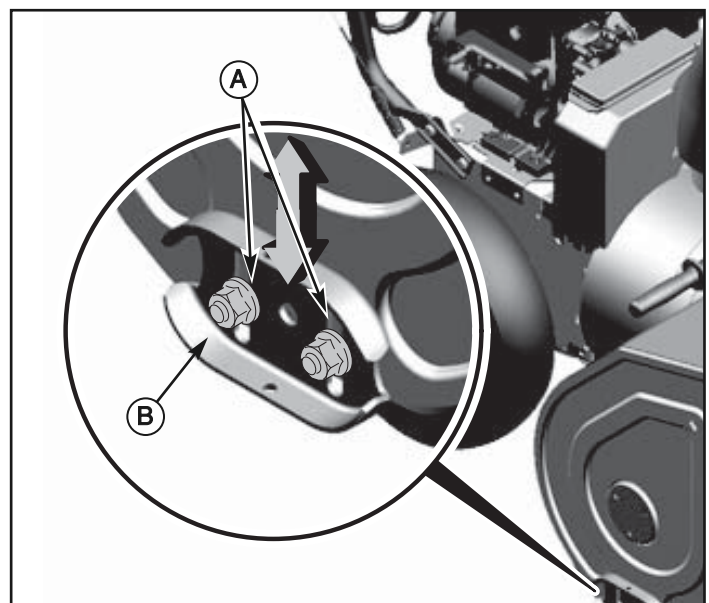
Pour déneiger un sol pierreux ou inégal, abaisser les patins de manière à relever l'avant de la souffleuse à neige. Ceci permet d'éviter que des pierres et autres débris soient ramassés et éjectés par la vis sans fin.

**Les patins se règlent de la manière suivante :**

1. Placer une cale (d'épaisseur égale à la hauteur au sol souhaitée) sous la barre de raclage près, mais pas en dessous, du patin.
2. Desserrer les écrous de fixation du patin (A, Figure 23) et pousser le patin (B) vers le bas jusqu'à ce qu'il touche le sol. Resserrer les écrous de fixation.
3. Régler le patin de l'autre côté à la même hauteur.

**REMARQUE : Vérifier que la souffleuse à neige est réglée sur la même hauteur des deux côtés.**

**AVERTISSEMENT : Veiller à ce que la hauteur au sol soit toujours adaptée à la surface à déneiger. Des objets tels que du gravier, des pierres ou autres débris, s'ils sont heurtés par la turbine, peuvent être projetés avec suffisamment de force pour causer des blessures corporelles, des dégâts matériels ou des dommages de la souffleuse à neige.**



Régler la hauteur des patins

Figure 23

## AJUSTEMENT DES COURROIES

### Courroie d'entraînement de traction

La courroie d'entraînement de traction subit une pression de ressort constante et ne nécessite aucun ajustement. Si la courroie d'entraînement de traction patine, changer la courroie. Consulter le distributeur homologué.

### Courroie d'entraînement de vis sans fin

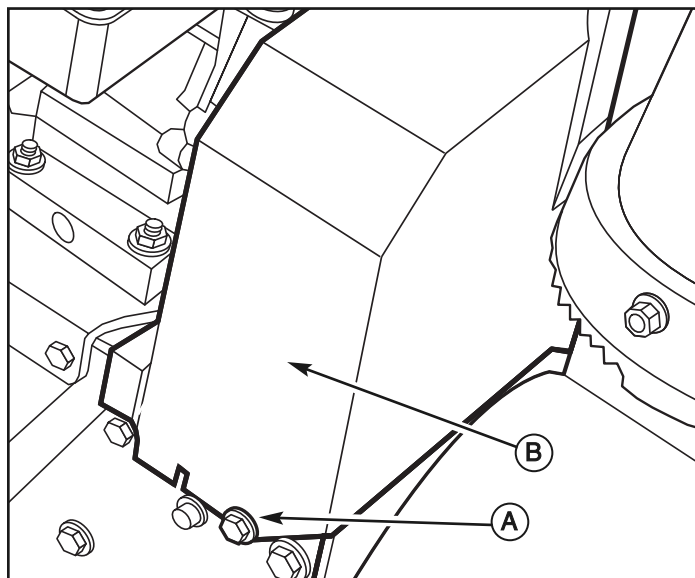
Si la souffleuse à neige n'éjecte pas de neige, vérifier le réglage du câble de commande. Si celui-ci est correct, vérifier alors l'état de la courroie d'entraînement de vis sans fin. Si elle est endommagée ou détendue, la changer (consulter le distributeur homologué).

1. Débrancher le fil de bougie.
2. Déposer la vis (A, Figure 24) du protège-courroie (B). Déposer le protège-courroie.
3. Desserrer l'écrou sur le poulie d'embrayage de vis sans fin (A, Figure 25) et déplacer le poulie d'embrayage de vis sans fin vers la courroie de 3 mm (1/8 pouce) environ.



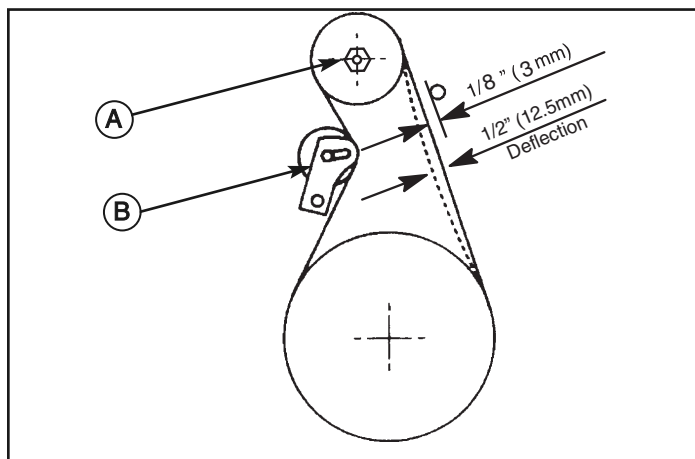
**AVERTISSEMENT : Ne pas trop serrer car cela peut relever le levier et forcer l'engagement de l'entraînement de vis sans fin alors que la commande de vis sans fin n'est pas actionnée.**

4. Serrer l'écrou.
5. Avec l'aide d'un assistant, engager l'embrayage de vis sans fin (B, Figure 25). Vérifier la tension sur la courroie (du côté opposé au galet tendeur). La courroie doit fléchir d'environ 12,5 mm (1/2 pouce) sous une pression modérée. Il peut être nécessaire de déplacer le galet tendeur plusieurs fois avant d'obtenir la tension correcte.
6. Relâcher la commande de vis sans fin. **La vis sans fin doit s'arrêter dans les 5 secondes.**
7. Si la vis sans fin ne fonctionne pas correctement, arrêter le moteur et revérifier les réglages de la tringlerie de commande.
8. Remettre le protège-courroie (B, Figure 24) en place. Serrer les vis (A).
9. Chaque fois que les courroies sont ajustées ou changées, les câbles doivent être ajustés (voir « Contrôle et réglage des câbles » dans cette section du manuel).
10. Rebrancher le fil de bougie.



Courroie de vis sans fin

Figure 24

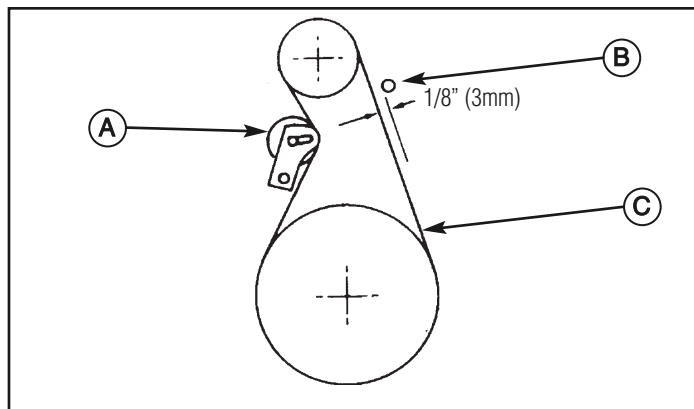


Obtenir la tension correcte

Figure 25

## AJUSTEMENT DU GUIDE DE COURROIE

1. Débrancher le fil de bougie.
2. Faire engager la commande de vis sans fin par une autre personne. Cela engager la galet tendeur de vis sans fin (A, Figure 26).
3. Mesurer la distance entre le guide de courroie (B) et la courroie (C). La distance doit être comprise entre 3 mm (1/8 pouce).
4. Si un ajustement est nécessaire, desserrer le boulon de fixation du guide de courroie. Placer le guide de courroie dans la position qui convient. Serrer le boulon de fixation.
5. Poser le protège-courroie.
6. Rebrancher le fil de bougie.



Réglage guide de courroie

Figure 26

## CONTRÔLE ET RÉGLAGE DES CÂBLES

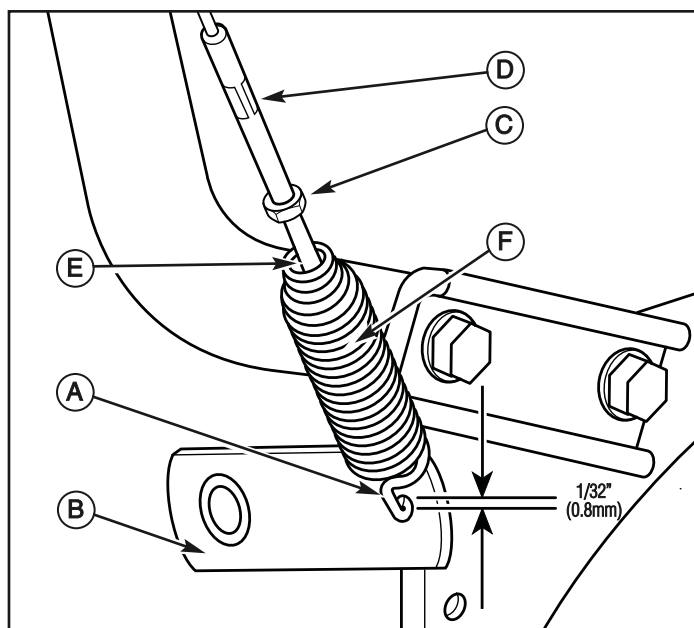
Les câbles sont réglés d'usine et aucun ajustement ne devrait être nécessaire. Si les câbles se sont étirés ou sont détendus, ils doivent être ajustés.

L'ajustement des câbles est également nécessaire après tout ajustement ou changement de courroie.

### Câble d'entraînement de vis sans fin

**AVERTISSEMENT : Ne pas trop serrer car cela peut relever le levier et forcer l'engagement de l'entraînement de vis sans fin alors que la commande de vis sans fin n'est pas actionnée.**

1. Lorsque le levier de commande est relâché, le crochet (A, Figure 27) doit à peine toucher le levier (B) sans le relever. Il peut y avoir un espacement de 0,8 mm (1/32 pouce) maximum.
2. Pour ajuster, desserrer l'écrou (C) en tenant le manchon à méplats (D) tout en faisant tourner l'écrou. Ensuite, faire tourner le manchon à méplats en tenant la vis de réglage (E). La vis de réglage est une vis cruciforme et sa tête peut être tenue ou tournée avec un tournevis introduit à travers le ressort (F).
3. Tenir le manchon à méplats et serrer l'écrou.
4. Démarrer le moteur et vérifier le fonctionnement de la vis sans fin. La vis sans fin ne doit pas être engagée si le levier de commande de vis sans fin n'est pas actionné.
5. Le moteur est en marche, serrer complètement le levier de commande de vis sans fin. La vis sans fin doit s'embrayer et fonctionner normalement.
6. Relâcher le levier de commande de vis sans fin. **La vis sans fin doit s'arrêter dans les 5 secondes.**
7. Si la vis sans fin ne fonctionne pas correctement, arrêter le moteur et révéifier le réglage du câble de vis sans fin.
8. Si la tringlerie de commande est correctement réglée, il est possible que la courroie d'entraînement de la vis sans fin soit mal réglée. Voir « Ajustement des courroies » dans cette section.



Réglage du câble d'entraînement de vis sans fin

Figure 27

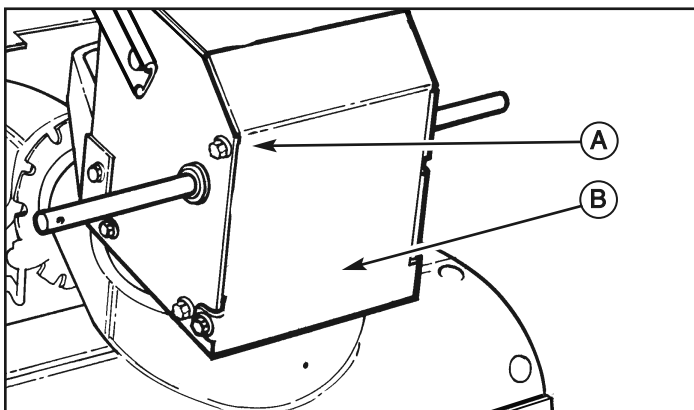


## Câble de commande de traction

1. Vider le réservoir d'essence. Basculer la souffleuse à neige sur l'avant du carter de vis sans fin.

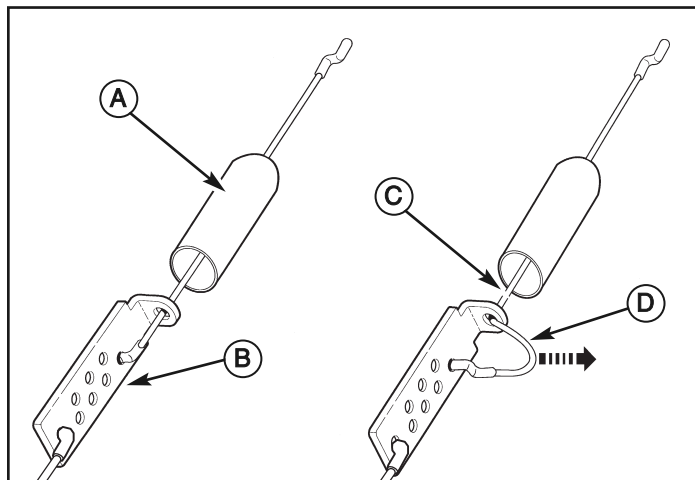
**⚠ AVERTISSEMENT : Vidanger l'essence à l'extérieur, à l'écart de feu ou de flammes.**

2. Desserrer les boulons (A, Figure 28) de chaque côté du panneau inférieur (B).
3. Déposer le panneau inférieur.
4. Dégager la gaine de câble (A, Figure 29) de la ferrure de réglage de câble (B).
5. Enfoncer le bas du câble de commande de traction (C) dans la ferrure de réglage de câble jusqu'à pouvoir dégager le crochet en « Z » (D).
6. Sortir le crochet en « Z » de la ferrure de réglage de câble. Placer le crochet en « Z » dans le trou de réglage suivant.
7. Tirer le câble de commande de traction vers l'arrière de la ferrure de réglage de câble.
8. Remettre la gaine de câble sur la ferrure de réglage de câble.
9. Pour vérifier le réglage, serrer le levier de commande et observer la longueur du ressort de commande (A, Figure 30). Lorsque le réglage est correct, la longueur du ressort est de 76 mm (3 pouces) minimum à 85 mm (3-3/8 pouces) maximum.
10. Poser le panneau inférieur (B, Figure 28).
11. Serrer les boulons (A) de chaque côté du panneau inférieur.



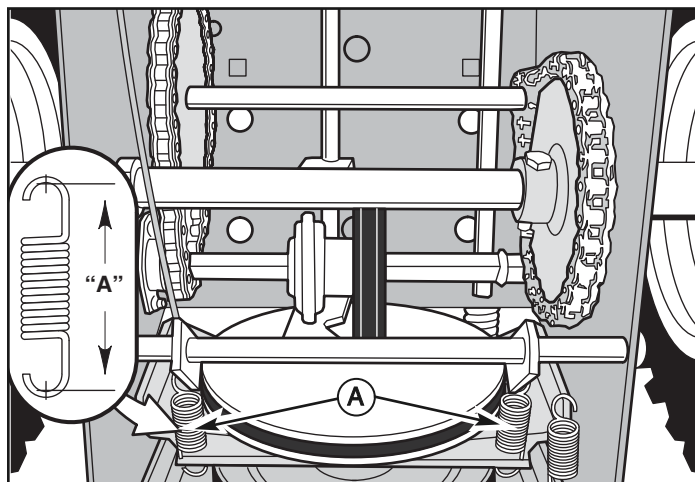
Réglage du câble de commande de traction

Figure 28



Câble de commande de traction

Figure 29



Pour vérifier le réglage

Figure 30

### CHANGER LES GOUPILLES DE CISAILLEMENT DE VIS SANS FIN

La vis sans fin est rendue solidaire de l'arbre de vis sans fin au moyen de goupilles de cisaillement conçues spécialement pour rompre en cas de blocage d'un objet dans le carter de vis sans fin. L'utilisation d'une goupille de cisaillement de plus grande dureté réduit la protection offerte par la goupille. Une goupille de cisaillement cassée se change de la manière suivante :



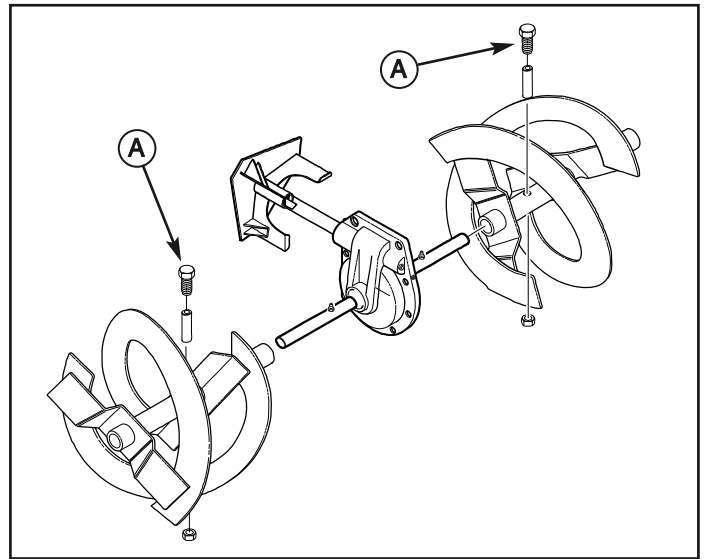
**AVERTISSEMENT : Ne pas s'approcher de la goulotte d'éjection ni de la vis sans fin lorsque le moteur est en marche. Ne pas faire fonctionner le moteur s'il manque un quelconque capot ou autre protection.**

Dans la majorité des cas, lorsque la vis sans fin heurte un objet susceptible d'endommager la machine, la goupille de cisaillement se casse. Ceci protège la boîte d'engrenages et les autres pièces de la machine.

Les goupilles de cisaillement (A, Figure 31) sont placées sur l'arbre de vis sans fin. Changer une goupille de cisaillement cassée de la manière suivante.

1. Extraire la goupille de cisaillement cassée avec un chasse-goupille.
2. Poser une goupille de cisaillement neuve et une goupille fendue.  
Rabattre les extrémités de la goupille fendue.

**IMPORTANT : Ne pas remplacer les goupilles de cisaillement par quoi que ce soit d'autre que des goupilles de cisaillement de rechange de dureté correcte. L'emploi de boulons, de vis ou de goupilles de cisaillement de plus grande dureté peut causer des dommages de la machine.**



Changer les goupilles de cisaillement de vis sans fin

**Figure 31**

## REMISAGE HORS SAISON

**AVERTISSEMENT :** Ne jamais remiser le moteur, avec de l'essence dans le réservoir, à l'intérieur ou dans un espace clos mal ventilé où les vapeurs d'essence sont susceptibles d'atteindre une flamme nue, une étincelle ou une veilleuse telle que sur une chaudière, un chauffe-eau, un sèche-linge, etc.

**Manipuler l'essence avec précaution. Elle est très inflammable et une imprudence peut provoquer des dommages corporels ou matériels graves par le feu.**

**Vidanger l'essence dans des récipients adaptés, à l'extérieur, à l'écart de toute flamme nue.**

Si la souffleuse à neige doit être remisée pendant trente (30) jours ou plus à la fin de la saison des neiges, il est conseillé d'effectuer ce qui suit pour préparer la souffleuse à neige pour le remisage.

**REMARQUE :** L'essence doit être vidangée ou traitée pour empêcher la formation de dépôts gommeux dans le réservoir, le filtre, le tuyau et le carburateur durant l'entreposage.

1. Pour éliminer l'essence, laisser tourner le moteur jusqu'à ce que le réservoir soit vide et le moteur s'arrête. Pour garder de l'essence dans le réservoir, ajouter du stabilisateur de carburant à l'essence restante afin de minimiser les dépôts gommeux et les acides. Si le réservoir est presque vide, mélanger du stabilisateur avec de l'essence fraîche dans un récipient séparé puis en verser dans le réservoir. **TOUJOURS SUIVRE LES INSTRUCTIONS FIGURANT SUR L'EMBALLAGE DU STABILISATEUR. APRÈS AVOIR AJOUTÉ LE STABILISATEUR, FAIRE TOURNER LE MOTEUR PENDANT AU MOINS 10 MINUTES POUR PERMETTRE AU MÉLANGE D'ATTEINDRE LE CARBURATEUR. REMISER LA SOUFFLEUSE À NEIGE DANS UN ENDROIT SÛR.**
2. Le fait de changer l'huile avant le remise (moteur 4 temps uniquement) contribue à maintenir le moteur en bon état de marche.
3. Lubrification de la zone piston/cylindre. Enlever d'abord la bougie et asperger de l'huile moteur proche dans le trou de la bougie. Couvrir ensuite le trou de bougie avec un chiffon pour absorber l'huile pulvérisée. Faire ensuite tourner le moteur en tirant sur le lanceur à deux ou trois reprises. Enfin, remonter la bougie et rebrancher le fil de la bougie.
4. Nettoyer la souffleuse à neige avec soin.
5. Lubrifier tous les points de graissage (voir les sujets « Lubrification » dans la section ENTRETIEN).
6. Vérifier que tous les écrous, boulons et vis sont correctement serrés. Effectuer un contrôle visuel de l'état et du degré d'usure de toutes les pièces mobiles visibles. Les changer le cas échéant.
7. Retoucher toutes les surfaces peintes rouillées ou écaillées ; poncer légèrement avant de peindre.
8. Couvrir toutes les parties métalliques nues du carter de vis sans fin et de la turbine de la souffleuse à neige d'un produit antirouille.
9. Si possible, remiser la souffleuse à neige à l'intérieur et la couvrir pour la protéger contre la poussière et la saleté.
10. Sur les modèles à guidon pliant, desserrer les boutons de fixation de la partie supérieure du guidon. Replier le haut du guidon.
11. Si la souffleuse à neige doit être entreposée à l'extérieur, la poser sur des cales en s'assurant que l'ensemble de la machine est au-dessus du sol. Couvrir la souffleuse à neige d'une bâche épaisse.

## LUBRIFIER L'ARBRE HEXAGONAL ET CHÂÎNES

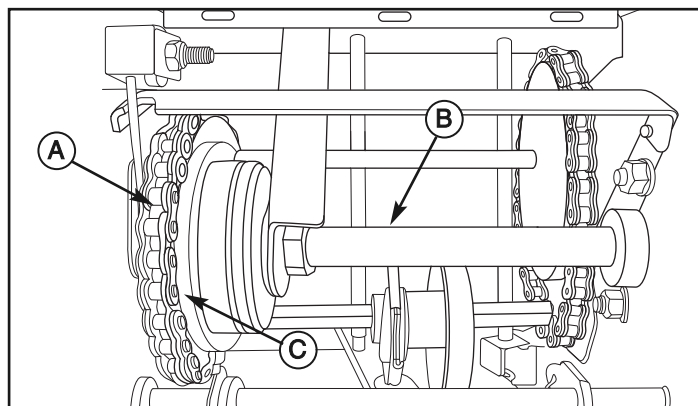
**ATTENTION :** Ne pas laisser de graisse ou d'huile venir au contact de la roue de friction en caoutchouc ou du disque d'entraînement. Tout contact du disque d'entraînement ou de la roue de friction avec de la graisse ou de l'huile peut endommager la roue de friction en caoutchouc.

**REMARQUE :** En cas de contact du disque d'entraînement ou de la roue de friction avec de la graisse ou de l'huile, nettoyer le disque et la roue avec soin avec un solvant à base d'alcool.

1. Placer le levier sélecteur de vitesse (E, Figure 5) en première vitesse de marche avant.
2. Vider le carburant dans un conteneur approuvé.
3. Basculer la souffleuse à neige sur l'avant du carter de vis sans fin.

**REMARQUE :** Lorsque le moteur est rempli d'huile, ne pas laisser la souffleuse à neige basculée sur l'avant du carter de vis sans fin pendant des durées prolongées.

4. Déposer le panneau inférieur.
5. Lubrifier les chaînes (A, Figure 32) avec un lubrifiant pour chaîne.
6. Essuyer l'arbre hexagonal (B) et les pignons (C) avec de l'huile moteur 5W30.
7. Remettre le panneau inférieur en place.



Lubrifier arbre hexagonal et chaînes

Figure 32

## SORTIR LA SOUFFLEUSE À NEIGE DU REMISAGE

Pour remettre la souffleuse à neige en service après le remisage, effectuer ce qui suit.

1. Remettre le haut du guidon en position d'utilisation et serrer les boutons de fixation.
2. Remplir le réservoir d'essence fraîche.
3. Contrôler la bougie. Vérifier que l'écartement est correct. Si la bougie est usée ou endommagée, la changer avant utilisation.
4. Vérifier que toute la visserie est bien serrée.
5. Vérifier que tous les capots, grilles et autres protections sont en place.
6. Vérifier que tous les réglages sont corrects.

## DÉPANNAGE

PROBLÈME	CAUSE POSSIBLE	SOLUTION
<b>Démarrage difficile</b>	Bougie défectueuse.	Changer la bougie défectueuse.
<b>Le moteur a des ratés</b>	Conduite de carburant obstruée.	Nettoyer la conduite de carburant.
	Réservoir d'essence vide.	Vérifier le niveau d'essence.
	Essence défraîchie.	Remplir d'essence fraîche avec du stabilisateur de carburant.
	Eau ou impuretés dans le circuit de carburant.	Déposer la cuve du carburateur pour vidanger le réservoir d'essence. Refaire le plein avec de l'essence fraîche. <b>ATTENTION : Ne pas déposer la cuve de carburateur alors que le moteur est chaud.</b>
<b>Le moteur cale</b>	Moteur en position STARTER.	Placer le levier de starter en position de marche (RUN).
<b>Perte de puissance</b>	Évent du bouchon d'essence obstrué.	Enlever la glace et la neige du bouchon. Vérifier que l'évent est dégagé.
<b>Vibrations excessives</b>	Pièces desserrées ou turbine endommagée.	Couper immédiatement le moteur et débrancher le fil de la bougie. Resserrer tous les boulons et effectuer toutes les réparations nécessaires. Si les vibrations continuent, confier le concessionnaire agréé.
<b>La machine n'avance pas</b>	Courroie de traction détendue ou endommagée.	Changer la courroie de traction. Consulter le distributeur homologué.
	Réglage incorrect du câble de commande de traction.	Régler le câble de commande de traction Se reporter à « Contrôle et réglage des câbles » dans la section ENTRETIEN de ce manuel.
	Roue de friction usée ou endommagée.	Changer la roue de friction. Consulter le distributeur homologué.
<b>La machine n'éjecte pas la neige</b>	Courroie de vis sans fin détendue ou endommagée.	Changer ou ajuster la courroie d'entraînement de vis sans fin. Se reporter à « Ajustement des courroies » dans la section ENTRETIEN de ce manuel, ou consulter le distributeur homologué.
	Câble de commande de vis sans fin mal réglé.	Régler le câble de commande de vis sans fin Se reporter à « Contrôle et réglage des câbles » dans la section ENTRETIEN de ce manuel.
	Goupille de cisaillement cassée.	Remplacer la goupille de cisaillement. Se reporter à « Changer les goupilles de cisaillement de vis sans fin » dans la section ENTRETIEN de ce manuel.
	Goulotte d'éjection obstruée.	Couper immédiatement le moteur et débrancher le fil de la bougie. Se reporter à <b>AVERTISSEMENT</b> sous « SÉCURITÉ DE L'UTILISATEUR » dans la section. Nettoyer la goulotte d'éjection et l'intérieur du carter de vis sans fin.
	Objet étranger coincé dans la vis sans fin.	Couper immédiatement le moteur et débrancher le fil de la bougie. Se reporter à <b>AVERTISSEMENT</b> sous « SÉCURITÉ DE L'UTILISATEUR » dans la section. Enlever l'objet de la vis sans fin.

**BRIGGS & STRATTON POWER PRODUCTS GROUP, L.L.C. POLITIQUE DE GARANTIE DU PROPRIÉTAIRE**

En vigueur à compter du 1er janvier 2008, remplace toutes les garanties non datées et toutes les garanties datées avant le 1er janvier 2008

**GARANTIE LIMITÉE**

Briggs & Stratton Power Products Group, LLC réparera ou remplacera, gratuitement, toute pièce du produit ayant un vice de matériau ou de fabrication, ou les deux. Les frais de transport du produit soumis pour réparation ou remplacement sous la présente garantie sont à la charge de l'acheteur. La présente garantie est en vigueur pour les durées et sous réserve des conditions énoncées ci-dessous. Pour tout service couvert par la garantie, trouver le concessionnaire de service agréé le plus proche dans notre carte de localisation des concessionnaires à [www.murray.com](http://www.murray.com).

IL N'EXISTE AUCUNE AUTRE GARANTIE EXPRESSE. LES GARANTIES IMPLICITES, Y COMPRIS LES GARANTIES DE COMMERCIALITÉ ET D'ADAPTATION À UN USAGE PARTICULIER, SONT LIMITÉES À UNE DURÉE D'UN AN À COMPTER DE LA DATE DE L'ACHAT, OU DANS LES LIMITES PRÉVUES PAR LA LOI. TOUTES LES GARANTIES IMPLICITES SONT EXCLUES. LES RESPONSABILITÉS DE DOMMAGES ACCESSOIRES OU CONSÉCUTIFS SONT EXCLUES DANS LA MESURE OU L'EXCLUSION EST AUTORISÉE PAR LA LOI. Certains États ou pays ne permettant pas de limitations sur la durée d'une garantie implicite, et certains États ou pays ne permettant pas l'exclusion ou la limitation des dommages accessoires ou consécutifs, il se peut que les limitations et exclusions ci-dessus ne s'adressent pas à vous. La présente garantie vous offre des droits légaux spécifiques et il se peut que vous ayez d'autres droits qui varient d'une juridiction à une autre.

**MODALITÉS DE GARANTIE**

	<b>Utilisation par le consommateur</b>	<b>Utilisation commerciale</b>
<b>Marque / Unité</b>		
Deux phases déneé .....	2 ans .....	90 jours

La durée de garantie commence à compter de la date d'achat par le premier acheteur au détail ou l'utilisateur final commercial, et continue pendant la période énoncée ci-dessus. Par « Usage consommateur », on entend un usage ménager résidentiel personnel par un consommateur au détail. Par « Usage commercial » on entend tous les autres usages, y compris usage à des fins commerciales, profitables ou de location. Une fois qu'un produit a expérimenté l'usage commercial, il sera par la suite considéré comme usage commercial aux fins de la présente garantie.

Aucun enregistrement de garantie n'est nécessaire pour obtenir une garantie sur les produits de marque Murray. Conserver une preuve du reçu d'achat. Si aucune preuve de la date d'achat initial n'est fournie au moment où le service sous garantie est demandé, la date de fabrication du produit servira à déterminer la garantie.

**À PROPOS DE LA GARANTIE**

Nous acceptons la réparation sous garantie et nous vous présentons nos excuses pour cet inconvénient. Tout concessionnaire de service agréé peut effectuer les réparations sous garantie. La plupart des réparations sous garantie sont traitées couramment mais, parfois, des demandes de service sous garantie peuvent ne pas être appropriées. Par exemple, un service sous garantie ne s'appliquerait pas à un produit si le dommage était dû à un mauvais usage, un manque d'entretien de routine, l'expédition, la manutention, l'entreposage ou une installation inappropriée. De même, la garantie est nulle si le numéro de série sur le produit a été retiré ou si le produit a été altéré ou modifié.

La présente garantie ne couvre que les vices de matériau et/ou de fabrication associés au produit. Pour éviter tout malentendu susceptible entre le client et le concessionnaire, une liste de certaines causes de défaillances de produit non couvertes par la garantie figure ci-dessous.

- **Usure normale :** Le petit matériel motorisé, tel que tous les dispositifs mécaniques, nécessite des pièces et un service périodiques pour une bonne performance. La garantie ne couvre pas les réparations lorsque l'usure normale a épuisé la durée de vie du produit ou de la pièce.
- **Installation :** La présente garantie ne s'applique pas à un produit qui aura été soumis à une installation, une altération ou une modification inappropriée ou non autorisée. Ni aux installations empêchant un démarrage de performance du moteur non satisfaisant.
- **Entretien inapproprié :** La durée de ce produit dépend des conditions dans lesquelles il opère et de l'entretien qu'il reçoit. Les intervalles d'entretien et de réglage recommandés sont énoncés dans le manuel d'utilisation. Les produits, tels que cultivateurs, coupe-bordure, tondeuses rotatives, étant souvent utilisés dans les conditions poussiéreuses ou sales, peuvent sembler usés prématurément. Ladite usure, quand elle est causée par la saleté, la poussière ou tout autre matériau abrasif pénétrant le produit en raison d'un entretien inapproprié n'est pas couverte par la garantie. La garantie ne couvre pas les réparations causées par des pièces de rechange qui ne sont pas des pièces fabriquées originales.
- **Carburant ou lubrification incorrects et/ou insuffisants :** La présente garantie ne couvre pas les dommages causés par l'utilisation de carburant éventé ou d'essence altérée. Les dommages de moteur ou de composants de moteur, à savoir chambre de combustion, soupapes, sièges de soupapes, guides de soupapes, bobinages de moteur de démarreur grillés, causés par l'utilisation de carburants de remplacement tels que pétrole liquéfié, gaz naturel, ne sont pas couverts à moins que le moteur ne soit certifié pour cette opération. Les pièces qui sont rayées ou cassées parce que le produit a été utilisé avec une qualité d'huile lubrifiante insuffisante, contaminée ou incorrecte ainsi que les composants du produit endommagés par le manque de lubrification, ne sont pas couverts.
- **Mauvais usage opérationnel :** L'utilisation appropriée du produit est énoncée dans le manuel d'utilisation. Produit endommagé par une vitesse excessive, une surchauffe ou une utilisation dans un endroit clos sans ventilation suffisante. Produit cassé par des vibrations excessives causées par un montage de moteur desserré, des lames desserrées ou déséquilibrées, des rotors, une vitesse excessive ou un vilebrequin tordu en raison du heurt d'un objet solide. Les dommages ou mauvais fonctionnements résultant d'accidents, d'abus, d'un entretien inapproprié ou d'un gel ou d'une détérioration physique, ainsi qu'une utilisation dépassant les capacités recommandées telles que soulignées dans le manuel d'utilisation, ne sont pas couverts.
- **Mise au point de routine, articles d'usure ou réglages :** La présente garantie exclut les articles d'usure tels que l'huile, les courroies, les lames, les joints toriques, les filtres, etc.
- **Autres exclusions :** La réparation ou les réglages des pièces non fabriquées par Briggs & Stratton Corporation ne sont pas couverts ; voir la garantie des fabricants respectifs. La présente garantie exclut toutes les défaillances dues à des calamités naturelles et tout autre événement de force majeure indépendant de la volonté du fabricant. Sont également exclus les produits usagés, remis à neuf et de démonstration.

Le service garantie n'est disponible qu'auprès des centres de service agréés. Trouver le concessionnaire le plus proche dans notre carte de localisation à [www.murray.com](http://www.murray.com).

## Déclaration de garantie du système de contrôle des émissions de l'État de Californie, de l'U.S. EPA et de Briggs & Stratton Corporation Droits et obligations du propriétaire au titre de la garantie

Le California Air Resources Board (CARB), l'U.S. EPA et Briggs & Stratton (B&S) ont le plaisir de vous expliquer la garantie du système de contrôle des émissions pour votre moteur/équipement fabriqué depuis 2008. En Californie, les petits moteurs neufs à usage non routier doivent être conçus, fabriqués et équipés pour répondre aux normes sévères anti-effet de serre de l'État. B&S doit garantir le système de contrôle des émissions de votre moteur/équipement pendant les durées indiquées ci-après, en supposant que le moteur neuf à usage non routier n'ait pas fait l'objet d'abus, de négligence ou d'un mauvais entretien.

Le système de contrôle des émissions peut comprendre des pièces comme le carburateur ou le système d'injection de carburant, le réservoir de carburant, le système d'allumage et le convertisseur catalytique. Des durites, des courroies, des connecteurs, des capteurs et d'autres assemblages impliqués dans les émissions peuvent aussi en faire partie.

Si la condition de garantie est remplie, B&S réparera gratuitement votre moteur/équipement y compris le diagnostic, les pièces et la main-d'œuvre.

### Couverture de la garantie du fabricant:

Les petits moteurs à usage non routier sont garantis pendant une période de deux (2) ans. Si une pièce liée aux émissions de votre moteur/équipement est défectueuse, B&S la réparera ou la remplacera.

## Dispositions de la garantie du système de contrôle des émissions de Briggs & Stratton

Suivent les dispositions particulières de la couverture de la garantie du système de contrôle des émissions. Elles viennent en complément de la garantie des moteurs B&S pour les moteurs non réglementés qui se trouve dans le manuel d'utilisation.

### 1. Pièces relatives au contrôle des émissions garanties

La couverture au titre de cette garantie ne s'étend qu'aux pièces énumérées ci-dessous (celles du système de contrôle des émissions) dans la mesure où ces pièces étaient présentes dans le moteur au moment de l'achat.

#### a. Système de dosage du carburant

- Système d'enrichissement pour démarrages à froid (starter)
- Carburateur et pièces internes
- Pompe à carburant
- Durit et raccords de carburant, colliers
- Réservoir de carburant, bouchon et câble d'attache
- Réservoir à charbon activé

#### b. Système d'admission d'air

- Filtre à air
- Collecteur d'admission
- Conduite de vidange et de mise à l'air

#### c. Système d'allumage

- Bougie(s)
- Système d'allumage par volant magnétique

#### d. Système catalytique

- Convertisseur catalytique
- Collecteur d'échappement
- Système d'injection d'air ou soupape d'impulsion

#### e. Pièces diverses utilisées dans les systèmes ci-dessus

- Soupapes et contacteurs de dépression, de température, de position et de durée
- Raccords et assemblages

### 2. Durée de la couverture

Pendant une période de deux (2) ans à compter de la date de l'achat initial, B&S garantit à l'acheteur initial et à chaque acheteur suivant que le moteur est conçu, fabriqué et équipé de manière à être en conformité avec toutes les réglementations applicables adoptées par l'Air Resources Board, qu'il est exempt de tout défaut de matière ou de construction susceptible d'entraîner la défaillance d'une pièce garantie et qu'il est matériellement identique en tous points au moteur décrit dans la demande de certification du fabricant. La période de garantie démarre à la date de l'achat initial du moteur.

### Responsabilités du propriétaire au titre de la garantie:

- En tant que propriétaire d'un moteur/équipement, vous êtes responsable de l'entretien obligatoire mentionné dans le manuel d'utilisation. B&S recommande de conserver toutes les factures de maintenance de votre moteur/équipement mais B&S ne peut renier la garantie uniquement à cause de l'absence de factures ou parce que tous les entretiens n'ont pas été effectués en temps prévu.
- En tant que propriétaire d'un moteur/équipement, vous devez néanmoins savoir que B&S peut refuser d'appliquer la garantie si la défectuosité de votre moteur/équipement ou d'une partie de celui-ci est due à un abus, une négligence, un entretien non correct ou des modifications non approuvées.
- Vous avez la responsabilité de confier votre moteur/équipement à un centre de distribution, un Réparateur Agréé ou toute entité équivalente de B&S, selon la solution applicable, dès que le problème apparaît. Les réparations effectuées sous garantie doivent être en un temps raisonnable qui ne doit pas excéder trente (30) jours. Si vous avez des questions concernant vos droits et vos responsabilités au titre de la garantie, contactez B&S au (414) 259-5262.

La garantie sur les pièces liées aux émissions est comme suit:

- Toute pièce garantie dont le remplacement n'est pas prévu dans le cadre de la maintenance obligatoire indiquée dans le manuel d'utilisation fourni est garantie pendant la période susmentionnée. Si cette pièce se révélait être défectueuse au cours de la période de garantie, elle serait réparée ou remplacée par B&S sans aucun frais pour le propriétaire. La pièce ainsi réparée ou remplacée sera garantie pour la période restante.
- Toute pièce garantie dont seule une inspection régulière est prévue dans le manuel d'utilisation fourni est garantie pendant la période susmentionnée. La pièce réparée ou remplacée dans le cadre de la garantie sera garantie pour la période restante.
- Toute pièce garantie dont le remplacement est prévu dans le cadre de la maintenance obligatoire indiquée dans le manuel d'utilisation fourni est garantie pendant la période précédant le premier remplacement prévu de cette pièce. Si cette pièce se révélait être défectueuse avant le premier remplacement prévu, elle serait réparée ou remplacée par B&S sans aucun frais pour le propriétaire. La pièce ainsi réparée ou remplacée sera garantie pour la période restante précédant le premier remplacement prévu de ladite pièce.
- Les pièces ajoutées ou modifiées qui ne sont pas exemptées par l'Air Resources Board ne peuvent être utilisées. L'utilisation par le propriétaire de pièces ajoutées ou modifiées non exemptées sera un motif de rejet de toute réclamation. Le fabricant ne peut en aucun cas être tenu de garantir les défaillances de pièces garanties dues à l'utilisation de pièces non exemptées ajoutées ou modifiées.

### 3. Couverture des conséquences

La présente couverture s'étend à la défaillance de tout composant du moteur due à la défaillance d'une pièce liée aux émissions garantie.

### 4. Réclamations et exclusions de garantie

Les réclamations sous garantie seront présentées selon les dispositions de la police de garantie des moteurs de B&S. La garantie ne couvre pas les défaillances de pièces liées aux émissions qui ne sont pas des pièces B&S d'origine ou les défaillances de pièces qui ont fait l'objet d'abus, de négligence ou d'un mauvais entretien ainsi qu'indiqué dans la police de garantie des moteurs de B&S. B&S n'est pas tenu de couvrir la garantie des défaillances des pièces liées aux émissions dues à l'utilisation de pièces rajoutées ou modifiées.

## Consultez les informations sur la période de durabilité des émissions et l'indice d'air sur l'étiquette d'émissions du moteur

Les moteurs qui sont certifiés conformes à la norme d'émissions du California Air Resources Board (CARB) doivent afficher l'information concernant la période de durabilité des émissions et l'indice d'air. Cette information est indiquée sur les étiquettes apposées sur les moteurs par Briggs & Stratton. L'étiquette du moteur indique les informations de certification.

La **période de durabilité des émissions** indique le nombre d'heures d'utilisation normale pour lequel le moteur est certifié conforme aux normes d'émissions sous réserve d'un entretien approprié tel qu'indiqué dans le manuel d'utilisation et d'entretien. Les catégories suivantes sont utilisées:

#### Modéré:

le moteur est certifié conforme pour 125heures d'utilisation normale.

#### Intermédiaire:

le moteur est certifié conforme pour 250heures d'utilisation normale.

#### Étendu:

le moteur est certifié conforme pour 500heures d'utilisation normale. Par exemple, une tondeuse à conducteur marchant classique est utilisée 20 à 25heures par an. Par conséquent, la **période de durabilité des émissions** d'un moteur de catégorie **intermédiaire** équivaudrait à une douzaine d'années.

Les moteurs Briggs & Stratton sont certifiés conformes aux normes environnementales d'émissions de la United States Environmental Protection Agency (U.S. EPA) Phase 2. Pour les moteurs certifiés Phase 2, la période de conformité d'émissions mentionnée sur les étiquettes indique le nombre d'heures d'utilisation pour lequel le moteur est en conformité avec les normes fédérales.

Pour les moteurs de cylindrée inférieure à 225cm<sup>3</sup>.

Catégorie C = 125heures, catégorie B = 250heures et catégorie A = 500heures.

Pour les moteurs de plus de 225cm<sup>3</sup>.

Catégorie C = 250heures, catégorie B = 500heures et catégorie A = 1000heures.

### MOTEUR :

Marque	Briggs & Stratton
Séries du modèle	Série neige
Couple de serrage brut*	11,50 T.P. @ 3060 rpm
Type	4-Cycle - OHV
Cylindrée	250 cc (15,26 po <sup>3</sup> )
Démarrage du système	Lanceur électrique 110V
Alternateur	60W CA
Capacité d'huile	0,59 litre (20 oz)
Liquide hydraulique	Minéral 5W30
Volume du réservoir de carburant	2,8 litres (3,0 qts)
Écartement des électrodes	0,0030 in. (0,76 mm)
Bougie à résistance	491055
Bougie en platine longue durée	5066
Dispositif d'allumage	Ce dispositif d'allumage par étincelle est conforme à la norme canadienne ICEA-002.

### TARIÈRE/TURBINE :

Largeur de dégagement	68,6 cm (27 po)
Hauteur d'entrée	53,3 cm (21 po)
Diamètre de la tarière/turbine	30 cm (12 po)
Nombre de lames de tarière	3

### GOULOTTE :

Défecteur de goulotte	Manuel
Rotation de la goulotte	190° (3,5 tours)

### SYSTÈME D'ENTRAÎNEMENT :

Type d'entraînement	Disque de friction – Goupille de verrouillage de traction
Vitesses d'entraînement	6 vitesses marche avant, 2 vitesses marche arrière
Dimensions des pneus	41 x 12,2 cm (16 x 4,8)
Gonflage des pneus	0,96 bar (14 psi)

### Informations concernant la puissance théorique du moteur

\*La puissance brute pour chaque Modèle de moteur à essence est indiquée conformément au code J1940 (procédure de calcul de la puissance et du couple des petits moteurs) de la SAE (Society of Automotive Engineers) et les performances théoriques ont été obtenues et corrigées selon SAE J1995 (révision 2002-05). Les valeurs de couple sont calculées sur la base de 3060 tr/min et celles de puissance sur la base de 3600 tr/min. La puissance brute réelle du moteur peut être plus faible notamment à cause des conditions de fonctionnement et des variations d'un moteur à l'autre. Compte tenu de la grande variété de machines sur lesquelles nos moteurs sont utilisés et du nombre de problèmes environnementaux applicables au fonctionnement des équipements, il se peut que le moteur à essence ne développe pas sa puissance théorique une fois qu'il est monté dans une machine particulière (puissance nette ou réelle « sur site »). Cette différence s'explique par un grand nombre de facteurs, tels que les suivants (liste non limitative) : accessoires (filtre à air, échappement, admission, refroidissement, carburateur, pompe à essence, etc.), limites d'utilisation, conditions ambiantes d'utilisation (température, humidité, altitude) et variations d'un moteur à l'autre. Pour des raisons de fabrication et de capacité limitées, Briggs & Stratton est susceptible de remplacer ce Modèle par un moteur plus puissant.





## Free Manuals Download Website

<http://myh66.com>

<http://usermanuals.us>

<http://www.somanuals.com>

<http://www.4manuals.cc>

<http://www.manual-lib.com>

<http://www.404manual.com>

<http://www.luxmanual.com>

<http://aubethermostatmanual.com>

Golf course search by state

<http://golfingnear.com>

Email search by domain

<http://emailbydomain.com>

Auto manuals search

<http://auto.somanuals.com>

TV manuals search

<http://tv.somanuals.com>