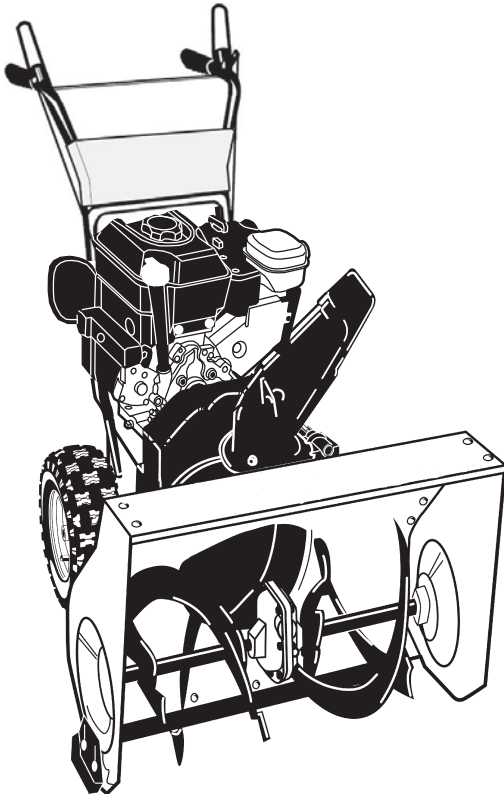




**OPERATOR'S  
MANUAL**  
**MANUAL de  
L'UTILISATEUR**

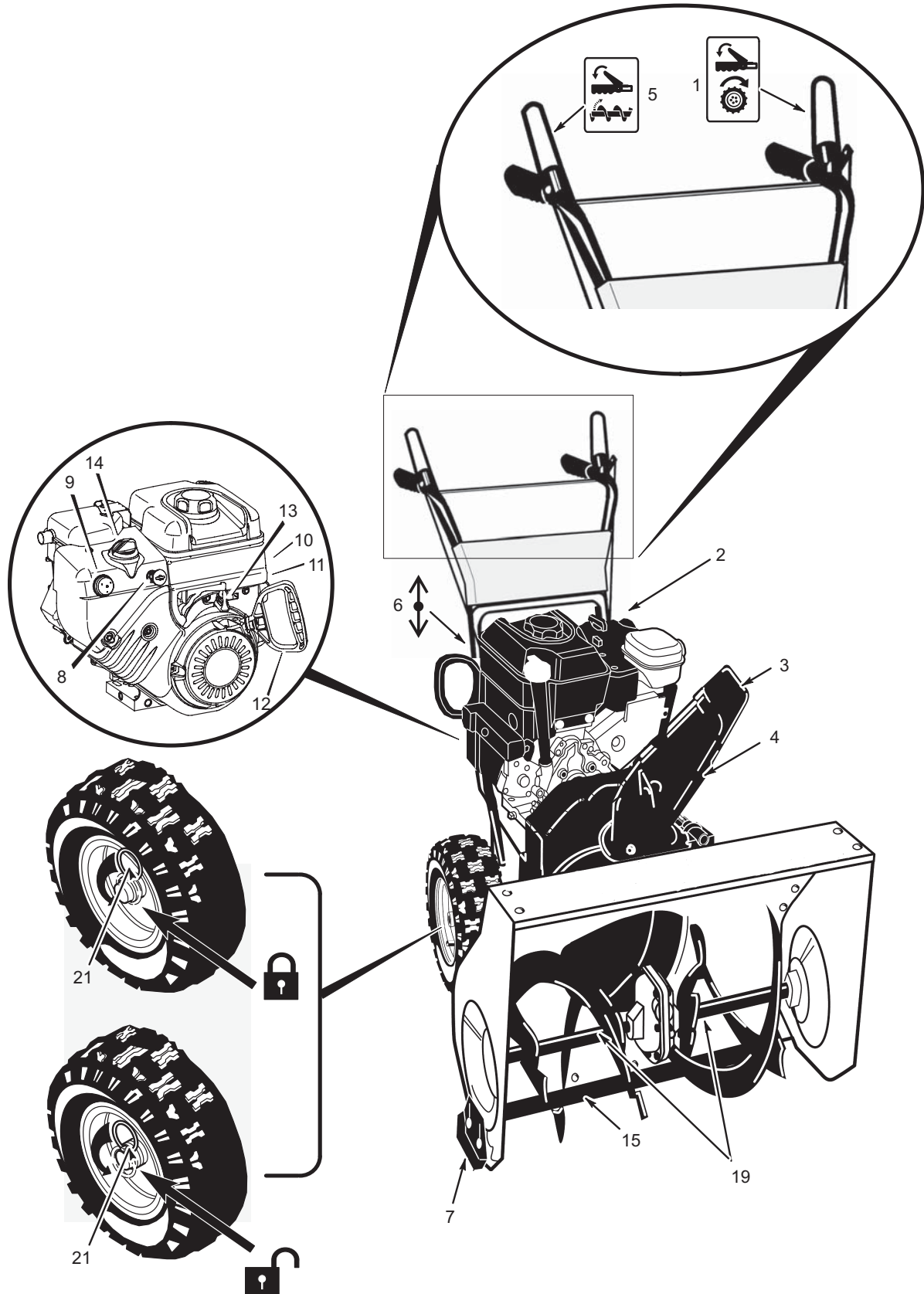


**Snowthrower  
Chasse-neige**

**Model**

<b>Mfg. No.</b>	<b>Description</b>
1695539	Dual Stage Snowthrower, 8.0 Torque Power, 24 Inch

1742237  
Revision 00  
Rev. Date 7/2008  
TP 199-4955-00-LW-R



**CONTENTS**

**HAZARD SYMBOLS AND THEIR MEANINGS** ..... 4

**OPERATING SYMBOLS AND THEIR MEANINGS** ..... 4

**ASSEMBLY** ..... 9

**OPERATION** ..... 9

**MAINTENANCE CHART** ..... 11

**MAINTENANCE** ..... 11

**TROUBLE SHOOTING CHART** ..... 15

**LIMITED WARRANTY** ..... 16

Figures (Example: Figure 1) are located on the inside front and back pages of this manual located before the parts list.

**General Information**



This instruction book is written for a person with some mechanical ability. Like most service books, not all the steps are described. Steps on how to loosen or tighten fasteners are steps anyone can follow with some mechanical ability. Read and follow these instructions before you use the unit.


**Know your product:** If you understand the unit and how the unit operates, you will get the best performance. As you read this manual, compare the illustrations to the unit. Learn the location and the function of the controls. To help prevent an accident, follow the operating instructions and the safety rules. Keep this manual for future reference.

**IMPORTANT:** Many units are not assembled and are sold in cartons. It is the responsibility of the owner to make sure the assembly instructions in this manual are exactly followed. Other units are purchased in an assembled condition. On assembled units, it is the responsibility of the owner to make sure the unit is correctly assembled. The owner must carefully check the unit according to the instructions in this manual before it is first used.

**Need Assistance?**




If you need additional information on assembling, operating, or servicing your equipment contact your local Dealer.

  This manual contains safety information to make you aware of the hazards and risks associated with snow throwers, and how to avoid them. The snow thrower is designed and intended for removal of snow, and should not be used for any other purpose. It is important that you read and understand these instructions, and anyone operating the equipment read and understand these instructions.

 **WARNING**

The engine exhaust from this product contains chemicals known to the State of California to cause cancer, birth defects, or other reproductive harm.

A signal word (DANGER, WARNING, or CAUTION) is used with the alert symbol to indicate the likelihood and the potential severity of injury. In addition, a hazard symbol may be used to represent the type of hazard.

-  **DANGER** indicates a hazard which, if not avoided, **will result in death or serious injury.**
-  **WARNING** indicates a hazard which, if not avoided, **could result in death or serious injury.**
-  **CAUTION** indicates a hazard which, if not avoided, **might result in minor or moderate injury.**  
**CAUTION**, when used **without** the alert symbol, indicates a situation that **could result in damage to the equipment.**

**Controls & Equipment Features (see Figure 1)**

- Traction Drive Lever (1)** – Select the forward or reverse direction of travel.
- Crank Assembly (2)** – Changes the direction of the discharge chute.
- Chute Deflector (3)** – Changes the distance the snow is thrown.
- Discharge Chute (4)** – Changes the direction the snow is thrown.
- Auger Drive Lever (5)** – Starts and stops the auger (snow gathering and throwing) which also propels the snowthrower.
- Speed Shift Lever (6)** – Selects the speed of the snow thrower.
- Height Adjust Skid (7)** – Adjusts the ground clearance of the auger housing.
- Drift Cutters (18)** – (if equipped) Cuts a path through snow higher than the auger housing.
- Shear Bolts (19)** – To protect the machine, special shear bolts are designed to break is an object becomes lodged in the auger housing. The use of a harder bolt will destroy the protection provided by the shear bolt.

**Engine Features**

- Safety Key (8)** – Must be inserted to start the engine.
- Primer Button (9)** – Injects fuel directly into the carburetor for fast starts in cold weather.
- Electric Start Button (10)** – On electric start models, used to start the engine.
- Switch Box (11)** – On electric start models, used to attach a 220 volt electric power cord.
- Recoil Starter Handle (12)** – Use to manually start the engine.
- Stop Switch (13)** – Use to stop the engine.
- Choke Control (14)** – Use to start a cold engine.

### Hazard Symbols and their meanings

These symbols are used on your equipment and defined in your operating manual. Review and understand the meanings. The use of one of these symbols combined with a signal word will alert you to potential hazards and how to avoid them.

	<b>Safety Alert</b> – Identifies safety information about hazards that can result in personal injury.
	<b>Operator's Manual</b> – Read and understand before performing any activity or running equipment.
	<b>Rotating auger</b>
	<b>Rotating impeller</b>
	<b>Fire</b>
	<b>Explosion</b>
	<b>Toxic fumes</b>
	<b>Shock</b>
	<b>Rotating gears</b>
	<b>Hot Surface</b>
	<b>Thrown objects</b>
	<b>Keep a safe distance from the equipment.</b>
	<b>Never reach into rotating parts.</b>
	<b>Shut off engine and remove spark plug connector before performing maintenance or repair work.</b>

### Operating Symbols and their meanings

These symbols are used on your equipment and defined in your operating manual. It is important that you review and understand the meanings. Failure to understand the symbols might result in harm to you.

	<b>Oil</b>		<b>Forward</b>
	<b>Fuel</b>		<b>Neutral</b>
	<b>On Off</b>		<b>Reverse</b>
	<b>Primer bulb</b>		<b>Ignition On</b>
	<b>Throttle</b>		<b>Ignition Off</b>
	<b>Choke off</b>		<b>Ignition Key</b>
	<b>Choke on</b>		<b>Push to engage electric start</b>
	<b>Stop</b>		<b>Electric Start</b>
	<b>Slow</b>		<b>Engine Start</b>
	<b>Fast</b>		<b>Engine Run</b>
	<b>Engage</b>		<b>Engine Off</b>
	<b>Traction</b>		
	<b>Auger Collector</b>		
	<b>Auger Clutch</b>		
	<b>Drive Clutch</b>		
	<b>Engage</b>		
	<b>Disengage</b>		
<b>Discharge Chute</b>		<b>Chute Deflector</b>	
<b>LEFT</b>	<b>RIGHT</b>	<b>UP</b>	<b>DOWN</b>



**⚠ DANGER**

Avoid death or serious injury from rotating auger.

Keep hands, feet and clothing away.

Unclogging discharge chute is a hazardous activity.

- Never attempt to clear auger of debris or clogged snow while equipment is engaged or engine is running. Clogged or blocked augers store energy and can rotate unexpectedly, EVEN WITH ENGINE OFF.
- **Stop engine and remove keys when performing maintenance on equipment.**
- Never leave the equipment unattended while engine is running. Always disengage the auger and traction controls, stop engine, and remove keys.
- Keep children, pets, and others out of the area during operation. Children are often attracted to the equipment. Be mindful of all persons present.
- Keep all loose clothing far away from front of snow thrower and auger. Scarves, mittens, dangling drawstrings, loose clothes and pants can quickly become caught in the rotating device and dismemberment will occur. Tie up long hair and remove jewelry.
- The snow thrower is intended to remove snow only. Do not use for purposes other than what is intended.
- Do not clear snow across the face of slopes. Exercise extreme caution when changing direction on slopes. Do not attempt to clear steep slopes.
- Do not use the snow thrower on surfaces above ground level such as roofs of residences, garages, porches or other such structures or buildings.



**⚠ DANGER**

Discharge chute contains rotating impeller to throw snow. Never clear or unclog discharge chute with your hands, or while engine is running.

Fingers can quickly become caught and traumatic amputation or severe laceration can result.

- Unclogging the discharge chute is a hazardous activity. Clogged or blocked augers store energy and can rotate unexpectedly, even with engine off.
- Never place hands in or near discharge chute.
- With engine OFF, wait for all moving parts to cease movement, then with a stick, clear the chute. Even with engine off, parts may rotate and dismemberment can occur.
- Clogged snow can hide other obstructions in the chute and cause damage to the equipment, impeller or auger. Take precautions when restating the equipment after snow removal.



**⚠ DANGER**

Objects can be picked up by auger and thrown from chute.

Never throw snow toward people or cars, and never allow anyone in front of the snow thrower.

- Be aware of your environment while operating equipment. Running over items such as gravel, doormats, newspapers, toys, and rocks hidden under snow, can all be thrown from chute or jam in the auger.
- Always be aware of the direction the snow is being thrown. Nearby pedestrians, pets or property may be harmed by objects being thrown.
- Familiarize yourself with the area you plan to work. Mark off boundaries of walkways and driveways to prevent property damage from thrown objects.
- Take caution when snow throwing in unfamiliar areas. Stay alert for hidden hazards and traffic.
- After striking a foreign object, turn engine OFF, wait for moving parts to cease movement, and check immediately for damage. If damaged, repair before starting and operating snow thrower.
- With engine OFF, wait for moving parts to stop and always use a stick to clear discharge chute.
- If unit vibrates abnormally, turn engine OFF. Vibration is generally a warning of trouble. See an authorized dealer if necessary for repairs.



**⚠ WARNING**

Engines give off carbon monoxide, an odorless, colorless, poison gas.

Breathing carbon monoxide can cause nausea, fainting or death.

- Start and run engine outdoors.
- Do not start or run engine in enclosed area, even if doors or windows are open.

**WARNING**

Gasoline and its vapors are extremely flammable and explosive.  
Fire or explosion can cause severe burns or death.

**WHEN ADDING FUEL**

- Turn engine OFF and let engine cool at least 2 minutes before removing gas cap.
- Fill fuel tank outdoors or in well-ventilated area.
- Do not overfill fuel tank.
- Keep gasoline away from sparks, open flames, pilot lights, heat, and other ignition sources.
- Check fuel lines, tank, cap, and fittings frequently for cracks or leaks. Replace if necessary.

**WHEN STARTING ENGINE**

- Make sure spark plug, muffler, fuel cap and air cleaner are in place.
- Do not crank engine with spark plug removed.
- If fuel spills, wait until it evaporates before starting engine.
- If engine floods, set choke to OPEN/RUN position, place throttle in FAST and crank until engine starts.

**WHEN OPERATING EQUIPMENT**

- Do not choke carburetor to stop engine.

**WHEN TRANSPORTING EQUIPMENT**


- Transport with fuel tank EMPTY.

**WHEN STORING GASOLINE OR EQUIPMENT WITH FUEL IN TANK**

- Store away from furnaces, stoves, water heaters or other appliances that have pilot light or other ignition source because they can ignite gasoline vapors.

## RULES FOR SAFE OPERATION



**WARNING:** This machine is capable of amputating hands and feet and throwing objects. Read these safety rules and follow them closely. Failure to obey these rules could result in loss of control of unit, severe personal injury or death to you, or bystanders, or damage to property or equipment. The triangle  in text signifies important cautions or warnings which must be followed.

### Safe Operation Practices for Snowthrowers

**IMPORTANT:** Safety standards require operator presence controls to minimize the risk of injury. Your snowthrower is equipped with such controls. Do not attempt to defeat the function of the operator presence control under any circumstances.

#### Training

1. Read, understand, and follow all instructions on the machine and in the manuals before operating this unit. Be thoroughly familiar with the controls and the proper use of the equipment. Know how to stop the unit and disengage the controls quickly.
2. Never allow children to operate the equipment. Never allow adults to operate the equipment without proper instruction.
3. Keep the area of operation clear of all persons, particularly small children and pets.
4. Exercise caution to avoid slipping or falling especially when operating in reverse.

#### Preparation

1. Thoroughly inspect the area where the equipment is to be used and remove all doormats, sleds, boards, wires, and other foreign objects.
2. Disengage all clutches and shift into neutral before starting the engine (motor).
3. Do not operate the equipment without wearing adequate winter outer garments. Wear footwear that will improve footing on slippery surfaces. Avoid loose fitting clothing that can get caught in moving parts.
4. Handle fuel with care; it is highly flammable.
  - a. Use an approved fuel container.
  - b. Never add fuel to a running engine or hot engine.
  - c. Fill fuel tank outdoors with extreme care. Never fill fuel tank indoors. Replace fuel cap securely and wipe up spilled fuel.
  - d. Never fill containers inside a vehicle or on a truck or trailer bed with a plastic liner. Always place containers on the ground, away from your vehicle, before filling.
  - e. When practical, remove gas-powered equipment from the truck or trailer and refuel it on the ground. If this is not possible, then refuel such on a trailer with a portable container, rather than from a gasoline dispenser nozzle.
  - f. Keep nozzle in contact with the rim of the fuel tank or container opening at all times, until refueling is complete. Do not use a nozzle lock-open device.
  - g. Replace gasoline cap securely and wipe up spilled fuel.
  - h. If fuel is spilled on clothing, change clothing immediately.
5. Use extension cords and receptacles as specified by the manufacturer for all units with electric drive motors or electric starting motors.
6. Adjust the collector housing height to clear gravel or crushed rock surfaces.
7. Never attempt to make any adjustments while the engine (motor) is running (except when specifically recommended by manufacturer).

8. Let engine (motor) and snowthrower adjust to outdoor temperatures before starting to clear snow.
9. Always wear safety glasses or eye shields during operation or while performing an adjustment or repair to protect eyes from foreign objects that may be thrown from the machine.
10. Never operate the snowthrower without proper guards, plates or other safety protective devices in place.

#### Operation

1. Do not put hands or feet near or under rotating parts. Keep clear of the discharge opening at all times.
2. Exercise extreme caution when operating on or crossing gravel drives, walks or roads. Stay alert for hidden hazards or traffic.
3. After striking a foreign object, stop the engine (motor), disconnect the cord on electric motors, thoroughly inspect snowthrower for any damage, and repair the damage before restarting and operating the snowthrower.
4. If the unit should start to vibrate abnormally, stop the engine (motor) and check immediately for the cause. Vibration is generally a warning of trouble.
5. Stop the engine (motor) whenever you leave the operating position, before unclogging the collector/impeller housing or discharge chute and when making any repairs, adjustments, or inspections.
6. When cleaning, repairing, or inspecting, make certain the collector/impeller and all moving parts have stopped. Disconnect the spark plug wire and keep the wire away from the spark plug to prevent accidental starting.
7. Do not run the engine indoors, except when starting the engine and for transporting the snowthrower in or out of the building. Open the outside doors; exhaust fumes are dangerous (containing CARBON MONOXIDE, an ODORLESS and DEADLY GAS).
8. Exercise extreme caution when operating on slopes. Do not attempt to clear steep slopes.
9. Never operate the snowthrower without proper guards, plates, or other safety protective devices in place and working.
10. Never direct the discharge toward people or areas where property damage can occur. Keep children and others away.
11. Do not overload the machine capacity by attempting to clear snow at too fast a rate.
12. Never operate the machine at high transport speeds on slippery surfaces. Look behind and use care when operating in reverse.
13. Disengage power to the collector/impeller when snowthrower is transported or not in use.
14. Use only attachments and accessories approved by the manufacturer of the snowthrower (such as cabs, tire chains, etc.).
15. Never operate the snowthrower without good visibility or light. Always be sure of your footing and keep a firm hold on the handles. Walk, never run.
16. Never touch a hot engine or muffler.
17. Never operate the snowthrower near glass enclosures, automobiles, window wells, drop-offs, and the like without proper adjustment of the snow discharge angle.

18. Never direct discharge at bystanders or allow anyone in front of the unit.
19. Never leave a running unit unattended. Always disengage the auger and traction controls, stop engine, and remove keys.
20. Do not operate the unit while under the influence of alcohol or drugs.
21. Keep in mind the operator is responsible for accidents occurring to other people or property.
22. Data indicates that operators, age 60 years and above, are involved in a large percentage of power equipment-related injuries. These operators should evaluate their ability to operate the unit safely enough to protect themselves and others from injury.
23. DO NOT wear long scarves or loose clothing that could become entangled in moving parts.
24. Snow can hide obstacles. Make sure to remove all obstacles from the area to be cleared.

## Children

Tragic accidents can occur if the operator is not alert to the presence of children. Children are often attracted to the unit and the operating activity. Never assume that children will remain where you last saw them.

1. Keep children out of the area and under the watchful care of another responsible adult.
2. Be alert and turn off if children enter the area.
3. Never allow children to operate the unit.
4. Use extra care when approaching blind corners, shrubs, trees, or other objects that may obscure vision.

## Clearing A Clogged Discharge Chute

Hand contact with the rotating impeller inside the discharge chute is the most common cause of injury associated with snowthrowers. Never use your hand to clean out the discharge chute.

To clear the chute:

1. SHUT OFF THE ENGINE.
2. Wait 10 seconds to be sure the impeller blades have stopped rotating.
3. Always use a clean out tool, not your hands.

## Service, Maintenance And Storage

1. Check shear bolts (pins) and other bolts at frequent intervals for proper tightness to be sure the equipment is in safe working condition.

2. Never store the machine with fuel in the tank inside a building where ignition sources are present such as hot water and space heaters, or clothes dryers. Allow the engine to cool before storing in any enclosure.
3. Always refer to operator's manual for important details if the snowthrower is to be stored for an extended period.
4. Maintain or replace safety and instruction labels as necessary.
5. Run the machine a few minutes after throwing snow to prevent freeze-up of the collector/impeller.
6. If fuel is spilled, do not attempt to start the engine but move the machine away from the area of spillage and avoid creating any source of ignition until fuel vapors have dissipated.
7. Always observe safe refueling and fuel handling practices when refueling the unit after transportation or storage.
8. Always follow the engine's manual instructions for storage preparations before storing the unit for both short and long term periods.
9. Always follow the engine manual instructions for proper start-up procedures when returning the unit to service.
10. Keep nuts and bolts tight and keep equipment in good condition.
11. Never tamper with safety devices. Check their proper operation regularly and make necessary repairs if they are not functioning properly.
12. Components are subject to wear, damage, and deterioration. Frequently check components and replace with manufacturer's recommended parts, when necessary.
13. Check control operation frequently. Adjust and service as required.
14. Use only factory authorized replacement parts when making repairs.
15. Always comply with factory specifications on all settings and adjustments.
16. Only authorized service locations should be utilized for major service and repair requirements.
17. Never attempt to make major repairs on this unit unless you have been properly trained. Improper service procedures can result in hazardous operation, equipment damage and voiding of manufacturer's warranty.

## Emissions

1. Engine exhaust from this product contains chemicals known, in certain quantities, to cause cancer, birth defects, or reproductive harm.
2. If available, look for the relevant Emissions Durability Period and Air Index information on the engine emissions label.

## Ignition System

1. This spark ignition system complies with Canadian ICES-002.



## ASSEMBLY

Read and follow the assembly and adjustment instructions for your snow thrower. All fasteners are in the parts bag. Do not discard any parts or material until the unit is assembled.



**WARNING:** Before doing any assembly or maintenance to the snow thrower, remove the wire from the spark plug.

**NOTE:** In this instruction book, left and right describe the location of a part from the operator's position behind the unit.

**NOTE:** Torque is measured in foot pounds (metric N.m). This measurement describes how tight a nut or bolt must be. The torque is measured with a torque wrench.

**NOTE:** Fasteners and loose parts are shown at full size in Figure 2 on page 32.

**NOTE:** Illustrations are located on page 2 and on pages 33 through 38.

### Tools Required

- 1 Knife
- 1 Pliers
- 2 1/2 inch open end wrenches
- 2 9/16 inch open end wrenches
- 2 3/4 inch open end wrenches
- 1 Measuring tape or ruler
- 1 Screwdriver
- 1 3/8 inch open end wrench
- 1 7/16 inch open end wrench

### How To Remove The Snow Thrower From The Carton

1. (Figure 3) The snow thrower is shown in the shipping position.
2. Remove packing material from wheels, handle, and auger housing.
3. Locate and remove the parts bag (some models do not have a parts bag).
4. Cut open the end of the carton next to the handle.
5. To roll the snowthrower off of the carton, pull on the handle.  
**CAUTION: DO NOT back over cables.**
6. Remove any packing material that remains from handle and auger housing.
7. Cut orange plastic shipping ties that may secure the control cables to the LOWER HANDLE.
8. If the control cables have become disconnected from the control levers, then attach the cable to the levers (see Owner's Manual for illustration of cable and lever).

### How To Assemble The Handle And Crank Assembly

1. (Figure 4) Loosen, but do not remove, the fasteners (1) in the upper holes of the lower handle.
2. Remove the fasteners and the crank assembly eyebolt (11) from the lower holes of the lower handle.
3. (Figure 1) Put the shift lever (6) into first forward position.
4. (Figure 4) Raise the upper handle (2) to the operating position.  
**NOTE: Make sure the cables are not caught between the upper and lower handle.**

5. Install the fasteners and the crank assembly eyebolt (11) that were removed in step 2. DO NOT tighten until all fasteners are in place.
6. (Figure 5) Attach the crank rod (15) to the universal joint assembly (16) with the hair pin (12).
7. (Figure 4) Tighten nut on eye bolt (11). Make sure eye bolt (11) is properly aligned and the crank (18) can freely rotate.
8. Tighten all handle fasteners.

### How To Install The Knob(s) (Figure 6)

**NOTE:** If knob(s) are already installed, go to the next selection.

1. Attach the knob (3) onto the speed shift lever (2). On some models, the knob (3) is attached. To lock in position, tighten the hex jam nut (1) against the bottom of the knob (3).
2. Make sure the speed shift lever (2) functions correctly. Move the speed shift lever (2) through all speeds.

### How To Assemble The Chute Deflector

**NOTE:** The chute ring assembly (1) comes installed on the unit from the factory (see Figure 7).

1. Turn crank assembly (18, Figure 4) until the arrow on outer ring (2, Figure 7) of chute ring assembly points forward.
2. Place chute ring (3) onto outer ring (2) so the slot in the chute ring aligns with the arrow on the outer ring.
3. Install chute deflector (4) using four screws (5) and nuts (6) in holes as shown. The chute deflector must point forward for proper installation.
4. Tighten screws snugly but be careful not to over-tighten.

### Check The Cables

1. (Figure 8) Check the traction drive cable (1) and the auger drive cable (2). If the bottom of the cables have become disconnected, reinstall the cables.
2. (Figure 10) If the top of the cables (5) have become disconnected from the drive levers (6), attach the cables (5) to the "Z" fitting (7).

### How To Set The Skid Height (Figure 1)

The snow thrower is equipped with height adjustable skids (7) mounted on the outside of the auger housing (4). To adjust the height of the skids, see "How To Adjust The Height Of The Skids" in the Maintenance section.

### How To Set The Length Of The Cables

The cables were adjusted at the factory and no adjustments should be necessary. However, after the handles are put in the operating position, the cables can be too tight or too loose. If an adjustment is necessary, see "How To Check And Adjust The Cables" in the Service And Adjustment section.

### How To Assemble The Drift Cutter (if equipped)

Drift cutters are used to cut a path through snow deeper than the auger housing.

1. (Figure 11) Loosen the fasteners (2) that secure the drift cutters (1) to the auger housing.
2. Raise the drift cutters (1) to the desired height.
3. Tighten the fasteners (2).

### How To Prepare The Engine

**NOTE:** The engine was shipped from the factory filled with oil. Check the level of the oil. Add oil as needed.



**WARNING:** Follow the engine manufacturer's instructions for the type of fuel and oil to use. Always use a safety fuel container. Do not smoke when adding gasoline to the engine. When inside an enclosure, do not fill with gasoline. Before you add fuel, stop the engine. Let the engine cool for several minutes.

Check the oil. See the engine manufacturer's instructions for the type of fuel and oil to use. Before you use the unit, read the information on safety, operation, maintenance, and storage.

### Important! Before You Start Operating

- Check the fasteners. Make sure all fasteners are tight.
- On electric start models, the unit was shipped with the starter cord plugged into the engine. Before operating, unplug the starter cord from the engine.

## OPERATION

**NOTE:** Illustrations are located on page 2 and on pages 33 through 38.

**CAUTION:** Use only attachments and accessories approved by the manufacturer of the snow thrower (such as tire chains, electric start kits, etc.).

### Know Your Snow Thrower (Figure 1)

Read this Instruction Book and safety rules before operation the snow thrower. Compare the illustration with your snow thrower to familiarize yourself with the location of various controls and adjustments.

### How To Control The Discharge Of The Snow



**WARNING:** Never direct the discharge of snow toward bystanders.



**WARNING:** Always stop the engine before unclogging the discharge chute or the auger housing and before leaving the snow thrower.

1. (Figure 1) Turn the crank assembly (2) to change the discharge direction of the snow.
2. (Figure 12) Loosen the wing knob (1) on the chute deflector (2) and move the chute deflector (2) to set the distance. Move the chute deflector (2) UP for more distance, DOWN for less distance. Then tighten the wing knob (1).

## How To Stop The Snow Thrower (Figure 1)

1. To stop discharging snow, release the **auger drive lever (5)**.
2. To stop the wheels, release the **traction drive lever (1)**.
3. To stop the engine, move the **stop switch (13)** to the OFF position.

**CAUTION: To stop the engine, do not move the choke control to CHOKE position. Backfire or engine damage can occur.**

## How To Go Forward or Backward (Figure 1)

1. To change the ground speed, first release the **traction drive lever (1)** and then move the **speed shift lever (6)** to the desired speed.
2. Ground speed is determined by snow conditions. Select the speed by moving the **speed shift lever (6)** into the appropriate notch on the shift lever plate.

Speed 1, 2	Wet, Heavy
Speed 3	Light
Speed 4	Very Light
Speed 5, 6	Transport only

3. To go forward, engage the **traction drive lever (1)**. Maintain a firm hold on the handle as the snow thrower starts to move forward. Guide the snow thrower by moving the handle either left or right. Do not attempt to push the snow thrower.
4. To go backward, release the **tractor drive lever (1)**.
5. Move the **speed shift lever (6)** into either first or second reverse.

6. Engage the **traction drive lever (1)**.

**IMPORTANT: Do not move the speed shift lever (6) while the traction drive lever (1) is engaged.**

## How To Throw Snow (Figure 1)

1. Engage the **auger drive lever (5)**.
2. To stop throwing snow, release the **auger drive lever (5)**.



**WARNING: The operation of any snow thrower can result in foreign objects being thrown into the eyes, which can result in severe eye damage. Always wear safety glasses or eye shields while operating the snow thrower. We recommend standard safety glasses or use a wide vision safety mask over your glasses.**

## How To Use The Wheel Lockout Pin (Figure 13)

1. The right hand wheel is secured to the axle with a **klick pin (1)**. This unit was shipped with this **klick pin (1)** through the wheel hole in the **locked position (2)**.
2. For ease of maneuverability in light snow conditions, change the **klick pin (1)** to an **unlocked position (3)**.
3. Disconnect the **klick pin (1)** from the wheel **locked position (2)**. Push the **klick pin (1)** through the unlocked axle hole only. The unit is now in the single wheel drive **unlocked position (3)**.

## Before Starting The Engine

1. Before you service or start the engine, familiarize yourself with the snow thrower. Be sure you understand the function and location of all controls.
2. Check the tension of the clutch cable before starting the engine. See "How To Adjust The Clutch Cable" in the Maintenance section of this manual.
3. Make sure that all fasteners are tight.
4. Make sure the height adjust skids are properly adjusted. See "How To Adjust The Height Of The Skids" in the Maintenance section of this manual.
5. Check the air pressure in the tires. The correct air pressure is 14 PSI (1 BAR) to 17 PSI (1.25 BAR). Do not exceed the maximum amount of air pressure shown on the side of the tire.

## How To Stop The Engine (Figure 1)

1. Push the **stop switch (13)** to the OFF position.
2. Pull out the **safety key (8)**.

**CAUTION: To stop the engine, do not move the choke control to CHOKE position. Backfire or engine damage can occur.**

## How To Start The Engine (Figure 1)

### Models equipped with an Electric Starter

**NOTE: An electric starter kit can be added to recoil start engines. Electric starter kits are available from your nearest authorized service center.**



**WARNING: The starter is equipped with a three-wire power cord and plug and is designed to operate on A.C. household current. The power cord must be properly grounded at all times to avoid the possibility of electrical shock which can injure the operator. Carefully follow all instructions in the "How To Start The Engine" section. Make sure that your house wiring is a three-wire grounded system. If you are not sure, ask a licensed electrician. If your house wire system is not a three-wire grounded system, do not use this electric starter under any conditions. If your system is grounded but a three-hole grounded receptacle is not available to start the engine, have a three-hole grounded receptacle installed by a licensed electrician. To connect an A.C. power cord, always connect the power cord to the switch box (11) on the engine first. Then, plug the other end into the three-hole grounded receptacle. When disconnecting the power cord, always unplug the end from the three-hole grounded receptacle first.**

### How To Start A Cold Engine (Figure 1)

1. Check the engine oil.
2. Fill the fuel tank with regular unleaded petrol. See "How To Prepare The Engine".
3. Make sure the **traction drive lever (1)** and the **auger drive lever (5)** are in the disengaged (released) position.

4. Push the **stop switch (13)** to the ON position.
  5. Push in the **safety key (8)**.
  6. Rotate the **choke knob (14)** to the CHOKE position.
  7. **(Electric Start)** Connect the power cord to the starter motor located on the engine.
  8. **(Electric Start)** Plug the other end of the power cord into a three-hole, grounded A.C. receptacle. (See the WARNING in this section).
  9. Push the **primer button (9)**. Every time you push the **primer button (9)**, wait two seconds. For the number of times required to push the **primer button (9)**, see the engine manufacturer's instructions.
  10. **(Electric Start)** Push on the **electric start button (10)** until the engine starts. Do not crank for more than 5 seconds at a time. Wait one minute between starts to allow the starter to cool.
  11. **(Recoil Start)** Slowly pull the **recoil starter handle (12)** until resistance is felt and then pull rapidly to start the engine. Do not allow the **recoil starter handle (12)** to snap back. Slowly return the **recoil starter handle (12)**.
  12. If the engine does not start in 5 or 6 tries, See the "Trouble Shooting Chart" Instructions.
  13. Allow the engine to warm up for several minutes. As the engine warms up, adjust the **choke knob (14)** toward the RUN position. Wait until the engine runs smoothly before each choke adjustment.
  14. **(Electric Start)** First disconnect the power cord from the three-hole receptacle. Then, disconnect the power cord from the starter motor.
- NOTE: In temperatures below 0°F (-18°C), allow the engine to warm up for several minutes before blowing snow.**



**WARNING: Never run the engine indoors or in enclosed, poorly ventilated areas. Engine exhaust contains carbon monoxide, an odorless and deadly gas. Keep hands, feet, hair and loose clothing away from any moving parts located on the engine or the snow thrower. The temperature of muffler and nearby areas may exceed 150°F (66°C). Avoid these areas.**

### How To Start A Warm Engine (Figure 1)

If an engine has been running and is still warm, leave the **choke control (14)** in the off position and do not push the **primer button (9)**. If the engine fails to start, follow the instructions "How To Start A Cold Engine".

**NOTE: Do not use the primer button (9) to start a warm engine.**

### How To Start An Engine With A Frozen Electric Starter (Figure 1)

If the electric starter is frozen and will not turn the engine, follow the instructions below.

1. Pull as much starter rope as possible out of the starter.
2. Release the starter handle and let it snap back against the starter. Repeat until the engine starts.

Warm engines will cause condensation in cold weather. To prevent possible freeze-up of recoil starter and engine controls, proceed as follows after each snow removal job.

1. Run the snow thrower a few minutes after throwing snow to prevent freeze-up of the auger/impeller.
2. With engine off, allow engine to cool for several minutes.
3. Pull starter rope very slowly until resistance is felt, then stop. Allow the starter rope to recoil. Repeat three times.
4. With the engine not running, wipe all snow and moisture from the carburetor cover in area of controls and levers. Also, move the choke control and starter handle several times.

**How To Remove Snow or Debris From The Auger Housing**



**WARNING: Do not attempt to remove snow or debris that may become lodged in auger housing with your hands. Use the clean-out tool or a pry bar to remove snow or debris.**

(Figure 21) On some models, a **clean-out tool (1)** is attached to the top of the auger housing. Use the **clean-out tool (1)** to remove snow from the auger housing.

1. (Figure 1) Release the **auger drive lever (5)**.
2. Pull out the **safety key (8)**.
3. Do not place your hands in the **auger housing (4)** or the **discharge chute (3)**.
4. (Figure 21) Use the **clean-out tool (1)** or a pry bar to remove any snow or debris.

**Snow Throwing Tips**

1. For maximum snow thrower efficiency in removing snow, adjust ground speed. Go slower in deep, freezing or wet snow. If the wheels slips, reduce forward speed.
2. Most efficient snow throwing is accomplished when the snow is removed immediately after it falls.

**CAUTION: Do not overload the machine capacity by attempting to clear snow at too fast a rate.**

3. For complete snow removal, slightly overlap each previous path.
4. Whenever possible, discharge the snow down wind.
5. For normal usage, set the skids so that the scraper bar is 1/8" (3 mm) above the skids. For extremely hard-packed snow surfaces, adjust the skids upward so that the scraper bar touches the ground.
6. Rocks and gravel must not be picked up and thrown by the machine. On gravel or crushed rock surfaces, set the skids at 1-1/4 inch (32 mm) below the scraper bar. See "How To Adjust The Height Of The Skids" in the Maintenance section.
7. After each snow throwing job, allow the engine to idle for a few minutes. The snow and accumulated ice will melt off the engine.
8. Clean the snow thrower after each use.
9. Remove ice, snow and debris from the entire snow thrower. Flush with water to remove all salt or other chemicals. Wipe snow thrower dry.

**MAINTENANCE CHART**

**CUSTOMER RESPONSIBILITIES**

SERVICE RECORDS Fill in dates as you complete regular service.	Before Each Use	First 2 Hours	Every 5 Hours	Every 10 Hours	Every 25 Hours	Each Season	Before Storage	SERVICE DATES
Check Engine Oil Level	√		√			√		
Change Engine Oil					√	√		
Check And Tighten All Screws and Nuts	√					√		
Check Spark Plug					√	√		
Adjust Drive Belt		√			√	√		
Check Fuel	√							
Drain Fuel							√	
Check Auger Clutch Cable Adjustment (See Cable Adjustment)		√				√		
Check Traction Clutch Cable Adjustment (See Cable Adjustment)		√				√		
Lubricate All Pivot Points				√			√	
Lubricate Auger Shaft (See Shear Bolt Replacement)				√			√	
Lubricate Drive Chains and Sprockets				√			√	

**MAINTENANCE**

**NOTE: Illustrations are located on page 2 and on pages 33 through 38.**

Use the following maintenance section to keep your unit in good operating condition. All the maintenance information for the engine is in the engine manufacturer's instructions. Before you start the engine, read this book.



**WARNING: Before you make an inspection, adjustment (except carburetor), or repair, disconnect the wire from the spark plug.**

**General Recommendations**

The warranty on this snow thrower does not cover items that have been subjected to operator abuse or negligence. To receive full value from the warranty, the operator must maintain the snow thrower as instructed in this manual.

Some adjustments must be made periodically to properly maintain the snow thrower.

**After Each Use**

- Check for any loose or damaged parts.
- Tighten any loose fasteners.

- Check and maintain the auger.
- Check controls to make sure they are functioning properly.
- If any parts are worn or damaged, replace immediately.
- Check all safety and instruction decals and labels. Replace any decals or labels that are missing or cannot be clearly read.

All adjustments in the Maintenance section of this manual should be checked at least once each season.

## As Required

The following adjustment should be preformed more than once each season.

1. Adjust the auger drive belt after the first 2 to 4 hours, again at mid-season, and twice each season thereafter. See "How To Adjust The Auger Drive Belt" in the Maintenance section.

## Lubrication

### Every 10 Hours (Figure 14)

1. Lubricate the **Zerk fittings (1)** every ten hours with a grease gun.
2. Each time a shear bolt is replaced, the auger shaft must also be greased.
3. Lubricate all pivot points.

### Every 25 Hours

#### Chute Rotation Gear

(Figure 5) Lubricate the **chute rotation gear (1)** with automotive type oil.

#### Chains

1. (Figure 1) Move the **speed shift lever (6)** to first gear.
2. Remove the gas from the gas tank. Stand the snow thrower up on the front end of the **auger housing (4)**.



**WARNING: Drain the gasoline outdoors, away from fire or flame.**

3. (Figure 23) Loosen the **bolts (3)** on each side of the **bottom panel (2)**.
4. Remove the **bottom panel (2)**.
5. (Figure 15) Lubricate the **chains (5)** with a chain type lubricant.
6. Wipe the **hexshaft and sprockets (6)** with 5W30 motor oil.

**NOTE: If grease or oil come in contact with the disc drive plate (1) or the friction wheel (3), damage can result. Clean off any oil or grease with a alcohol base solvent.**

7. (Figure 23) Install the **bottom panel (2)**.
8. Tighten the **bolts (3)** on each side of the **bottom panel (2)**.

### Items Not To Lubricate (Figure 15)

1. Do not lubricate the **hex shaft and sprockets (6)**. All bearings and bushings are lifetime lubricated. For storage, put a slight amount of 5W-30 motor oil on a cloth and wipe the **hex shaft and sprockets (6)** to prevent rust.
2. If grease or oil comes in contact with the **disc drive plate (1)** or the **friction wheel (3)**, the **friction wheel (3)** can be damaged. Make sure to thoroughly clean the **disc drive plate (1)** and the **friction wheel (3)**.  
**CAUTION: Any greasing or oiling of the above components can cause contamination of the friction wheel (3). If the disc drive plate (1) or the friction wheel (3) become contaminated with grease or oil, damage to the friction wheel will result.**

3. The auger gear case is lubricated at the factory and does not require additional lubrication. If for some reason the lubricant leaks out, have the auger gear case checked by a factory authorized service center.

### How To Adjust The Height Of The Skids (Figure 1)

This snow thrower is equipped with two height **adjustable skids (7)**. These skids elevate the front of the snow thrower. For normal hard surfaces, such as a paved driveway or walk, adjust the skids as follows.

1. Put the snow thrower on a level surface.
2. Make sure both tires are equally inflated. The correct air pressure is 14 PSI (1 BAR) to 17 PSI (1.25 BAR). Do not exceed the maximum amount of air pressure shown on the side of the tire.
3. Put the extra shear bolts (**found in the parts bag**) under each end of the **scraper bar (15)** next to the **adjustable skids (7)**.
4. Loosen the **mounting nuts (16)** that hold the **adjustable skids (7)**. To bring the front of the snow thrower down, raise each **adjustable skids (7)**. Tighten the **mounting nuts (16)**.

**NOTE: For rocky or uneven surfaces, raise the front of the snow thrower by moving the adjustable skids (7) down.**



**WARNING: Be certain to maintain proper ground clearance for the area to be cleared. Objects such as gravel, rocks or other debris, if struck by the impeller, can be thrown with sufficient force to cause personal injury, property damage or damage to the snow thrower.**

### How To Adjust The Scraper Bar (Figure 1)

After considerable use, the **scraper bar (15)** will become worn. The **scraper bar (15)**, in conjunction with the skids, must be adjusted to allow 1/8 inch clearance between the **scraper bar (15)** and the sidewalk or area to be cleared.

1. Put the snow thrower on a level surface.
2. Make sure both tires are equally inflated. The correct air pressure is 14 PSI (1 BAR) to 17 PSI (1.25 BAR). Do not exceed the maximum amount of air pressure shown on the side of the tire.
3. Loosen the carriage bolts and nuts that hold the **scraper bar (15)** to the **auger housing (4)**.
4. Adjust the **scraper bar (15)** to allow 1/8 inch clearance between the **scraper bar (15)** and the sidewalk or area to be cleared.
5. Tighten the carriage bolts and nuts. Make sure that the **scraper bar (15)** is parallel with the sidewalk or area to be cleared.
6. To extended the life of the **scraper bar (15)**, remove and reverse the mounting of the **scraper bar (15)**.

## How To Check And Adjust The Cables

The traction drive cable and the auger drive cable are adjusted at the factory. During normal use, a cable can become stretched and must be checked and adjusted as follows.

### How To Check The Cables (Figure 16)

1. To check for correct adjustment, disconnect the **"Z" fitting (1)** from the **drive lever (2)**.
2. Move the **drive lever (2)** forward until the **drive lever (2)** is contacting the **plastic bumper (3)**.
3. The control cable is correctly adjusted if the center of the **"Z" fitting (1)** is **aligned (4)** with the hole in the **drive lever (2)** and there in no droop in the cable.

### How To Adjust The Auger Drive Cable

1. Remove the gas from the gas tank. Stand the snow thrower up on the front end of the auger housing.



**WARNING: Drain the gasoline outdoors, away from fire or flame.**

2. (Figure 16) Disconnect the **"Z" fitting (1)** from the **drive lever (2)**.
3. (Figure 17) Pull the spring cover up to expose the **spring (5)**. Push the **cable (6)** through the **spring (5)** to expose the **square end (7)** on the **cable (6)**.
4. Hold the **square end (7)** with pliers and adjust the **locknut (8)** in or out until the excess slack is removed.
5. Pull the **cable (6)** back through the **spring (5)**.
6. (Figure 16) Connect the **"Z" fitting (1)** to the **drive lever (2)**.

**NOTE: When the auger drive belt is adjusted or replaced, check and adjust the cable.**

### How To Adjust The Traction Drive Cable

1. Remove the gas from the gas tank. Stand the snow thrower up on the front end of the auger housing.



**WARNING: Drain the gasoline outdoors, away from fire or flame.**

2. (Figure 23) Loosen the **bolts (3)** on each side of the **bottom panel (2)**.
3. Remove the **bottom panel (2)**.
4. (Figure 16) Disconnect the **"Z" fitting (1)** from the **traction drive lever (2)**.
5. (Figure 28) Slide the **cable boot (3)** off the **cable adjustment bracket (4)**.
6. Push the bottom of the **traction control cable (5)** through the **cable adjustment bracket (4)** until the **"Z" hook (6)** can be removed.
7. Remove the **"Z" hook (6)** from the **cable adjustment bracket (4)**. Move the **"Z" hook (6)** down to the next adjustment hole.
8. Pull the **traction control cable (5)** up through the **cable adjustment bracket (4)**.
9. Put the **cable boot (3)** over the **cable adjustment bracket (4)**.
10. (Figure 16) Install the **"Z" fitting (1)** to the **traction drive lever (2)**.

11. (**Figure 15**) To check the adjustment, depress the drive lever and check the length "A" of the **drive spring (7)**. In correct adjustment, the length "A" of the **drive spring (7)** is as follows:  
minimum 3 inches (76 mm)  
maximum 3-3/8 inches (85 mm).
12. (**Figure 23**) Install the **bottom panel (2)**.
13. Tighten the **bolts (3)** on each side of the **bottom panel (2)**.

### How To Adjust The Belts

The belts will stretch during normal use. If you need to adjust the belts due to wear or stretch, proceed as follows.

#### How To Adjust The Auger Drive Belt

If the snow thrower will not discharge snow, check the adjustment of the auger drive cable. See "How To Check And Adjust The Cables" in the Maintenance section. If the adjustment is correct, then check the condition of the auger drive belt. If the auger drive belt is damaged, replace the auger drive belt. See "How To Replace The Belts" in the Maintenance section. If the auger drive belt is loose, adjust as follows.

1. Disconnect the spark plug wire.
2. (**Figure 18**) Remove **screw (2)** from **belt cover (1)**. Remove the **belt cover (1)**.
3. (**Figure 19**) Loosen the **nut (2)** on the **idler pulley (3)**. Move the **idler pulley (3)** 1/8 inch (3 mm) toward the **auger drive belt (4)**.
4. Tighten the **nut (2)**.
5. (**Figure 22**) Depress the auger drive lever. Check the tension on the **auger drive belt (4)**. In correct adjustment, the **auger drive belt (4)** will deflect 1/2 inch (12.5 mm) (5) with moderate pressure. If the adjustment is not correct, repeat the adjustment.
6. (**Figure 18**) Install the **belt cover (1)**. Tighten **screw (2)**.
7. Check the adjustment of the auger drive cable. See "How To Check And Adjust The Cables" in the Maintenance section.
8. Attach the spark plug wire.

#### Traction Drive Belt

The traction drive belt has constant spring pressure and does not require an adjustment. If the traction drive belt is slipping, replace the belt. See "How To Replace The Belts" in the Maintenance section.

#### How To Replace The Belts

The drive belts are of special construction and must be replaced with original factory replacement belts available from your nearest authorized service center.

Some steps require the assistance of a second person.

#### How To Remove the Auger Drive Belt

If the auger drive belt is damaged, the snow thrower will not discharge snow. Replace the damaged belt as follows.

1. Disconnect the spark plug wire.
2. (**Figure 23**) Loosen the **bolts (3)** on each side of the **bottom panel (2)**.

3. Remove the **bottom panel (2)**.
4. (**Figure 18**) Remove **screw (2)** from **belt cover (1)**. Remove the **belt cover (1)**.
5. (**Figure 19**) Loosen the **belt guide (9)**. Pull the **belt guide (9)** away from the **auger drive pulley (10)**.
6. Pull the **idler pulley (3)** away from the **auger drive belt (4)** and slip the **auger drive belt (4)** off of the **idler pulley (3)**.
7. Remove the **auger drive belt (4)** from the **engine pulley (11)**. To remove the **auger drive belt (4)**, the **engine pulley (11)** may have to be partially rotated.
8. (**Figure 20**) Remove the top four **bolts (21)** that hold together the **auger housing (22)** and the **motor box (23)**. Loosen the bottom two **bolts (24)**. The **auger housing (22)** and the **motor box (23)** can now be split apart for removal of the belt.
9. (**Figure 19**) Remove the old **auger drive belt (4)** from the **auger drive pulley (10)**. Replace the **auger drive belt (4)** with an original factory replacement belt available from an authorized service center.
10. Install the new **auger drive belt (4)** onto the **auger drive pulley (10)**.
11. Assemble the **auger housing (22)** to the **motor box (23)** with the four **bolts (21)** that were removed in step 8. Tighten the bottom two **bolts (24)**.
12. Install the **auger drive belt (4)** onto the **engine pulley (11)**.
13. Slip the **auger drive belt (4)** under the **idler pulley (3)**.
14. Adjust the **auger drive belt (4)**. See "How To Adjust The Auger Drive Belt" in the Maintenance section.
15. Adjust the **belt guide (9)**. See "How To Adjust The Belt Guide" in the Maintenance section.
16. (**Figure 18**) Install the **belt cover (1)**. Tighten **screw (2)**.
17. Check the adjustment of the cables. See "How To Check And Adjust The Cables" in the Maintenance section.
18. Connect the spark plug wire.

#### How To Remove the Traction Drive Belt

If the snow thrower will not move forward, check the traction drive belt for wear or damage. If the traction drive belt is worn or damaged, replace the belt as follows.

1. Disconnect the spark plug wire.
2. Remove the auger drive belt. See "How To Remove The Auger Drive Belt" in the Maintenance section.
3. (**Figure 19**) Remove the **e-ring (17)** from one end of the **swing plate axle rod (18)**. Remove the **swing plate axle rod (18)** to allow the the swing plate to pivot forward.
4. Remove the **traction drive spring (16)**.
5. Remove the old **traction drive belt (13)** from the **traction drive pulley (14)** and from the **engine pulley (15)**. Replace the **traction drive belt (13)** with an original factory replacement belt available from an authorized service center.
6. Install the new **traction drive belt (13)** onto the **traction drive pulley (14)** and onto **engine pulley (15)**.

7. Make sure the **traction drive idler pulley (12)** is properly aligned with the **traction drive belt (13)**.
8. Attach the **traction drive spring (16)**.
9. Install the **swing plate axle rod (18)** and secure with the **e-ring (17)** removed earlier.
10. (**Figure 31**) The bottom of the **swing plate (20)** must be positioned between the **alignment tabs (19)**. Make sure the **swing plate (20)** is properly secured.  
**NOTE: If the drive will not engage after the traction drive belt has been replaced, then check to make sure that the swing plate is positioned between the alignment tabs (19).**
11. (**Figure 19**) Install and adjust the **auger drive belt (4)**. See "How To Remove The Auger Drive Belt" in the Maintenance section.
12. Adjust the **belt guide (9)**. See "How To Adjust The Belt Guide" in the Maintenance section.
13. (**Figure 23**) Install the **bottom panel (2)**.
14. Tighten the **bolts (3)** on each side of the **bottom panel (2)**.
15. (**Figure 18**) Install the **belt cover (1)**. Tighten **screw (2)**.
16. Check the adjustment of the cables. See "How To Check And Adjust The Cables" in the Maintenance section.
17. Connect the spark plug wire.

#### How To Adjust The Belt Guide

1. Disconnect spark plug wire.
2. (**Figure 18**) Remove **screw (2)**. Remove the **belt cover (1)**.
3. (**Figure 1**) Engage the **auger drive lever (5)**.
4. (**Figure 24**) Measure the distance between the **belt guide (2)** and **auger drive belt (3)**. The **correct distance (4)** is 1/8 inch (3 mm).
5. If an adjustment is necessary, loosen the mounting bolt for the **belt guide (2)**. Move the **belt guide (2)** to the **correct position (4)**. Tighten the mounting bolt for the **belt guide (2)**.
6. (**Figure 18**) Install the **belt cover (1)**. Tighten **screw (2)**.
7. Connect the spark plug wire.

#### How To Adjust Or Replace The Friction Wheel

##### How To Check The Friction Wheel

If the snow thrower will not move forward, check the traction drive belt, the traction drive cable or the friction wheel. If the friction wheel is worn or damaged, it must be replaced. See "How To Replace The Friction Wheel" in this section. If the friction wheel is not worn or damaged, check as follows.

1. (**Figure 1**) Remove the gas from the gas tank. Stand the snow thrower up on the front end of the **auger housing (4)**.



**WARNING: Drain the gasoline outdoors, away from fire or flame.**

2. Disconnect the spark plug wire.
3. (**Figure 23**) Loosen the **bolts (3)** on each side of the **bottom panel (2)**.
4. Remove the **bottom panel (2)**.
5. (**Figure 1**) Position the **shift speed lever (6)** in the lowest forward speed.

6. **(Figure 25)** Note the position of the **friction wheel (4)**. The correct distance "A" from the right side of the **friction wheel (4)** to the outside of the motorbox is as follows:
- | Tire Size      | Distance "A"       |
|----------------|--------------------|
| 12 and 13 inch | 4-1/8" (10.5 cm)   |
| 16 inch        | 4-5/16" (10.95 cm) |
- If the **friction wheel (4)** is not in the correct position, adjust as follows.

#### How To Adjust The Friction Wheel

- (Figure 1)** Position the **shift speed lever (6)** in the lowest forward speed.
- (Figure 9)** Loosen the **bolts (1)** on the **speed control rod (8)**.
- (Figure 25)** Move the **friction wheel (4)** to the correct position.
- (Figure 9)** Tighten the **bolts (1)** on the **speed control rod (8)**.
- (Figure 23)** Install the **bottom panel (2)**.
- Tighten the **bolts (3)** on each side of the **bottom panel (2)**.

#### How To Replace The Friction Wheel

If the friction wheel is worn or damaged, the snow thrower will not move forward. The friction wheel must be replaced as follows.

- (Figure 1)** Remove the gas from the gas tank. Stand the snow thrower up on the front end of the **auger housing (4)**.



**WARNING: Drain the gasoline outdoors, away from fire or flame.**

- Disconnect the spark plug wire.
- (Figure 29)** Remove the fasteners that secure the left **wheel (10)**. Remove the **left wheel (10)** from the **axle (11)**.
- Loosen the **bolts (3)** on each side of the **bottom panel (2)**.
- Remove the **bottom panel (2)**.
- (Figure 30)** Remove the fasteners that secure the **drive sprocket (12)** to the **axle (11)**.
- Remove the right wheel, **axle (11)**, and **drive sprocket (12)**.
- (Figure 31)** Remove the four **bolts (16)** that hold the **bearings (7)** on each side of the **hex shaft (8)**.
- (Figure 32)** Remove the **hex shaft (8)** and **bearings (7)**.  
**NOTE: Take special note of the position of the washers (17).**
- (Figure 27)** Remove the three **fasteners (4)** that hold the **friction wheel (5)** to the **hub (6)**.
- (Figure 27)** Remove the **friction wheel (5)** from the **hub (6)**. Slip the **friction wheel (5)** off the **hex shaft (8)**.
- Assemble the new **friction wheel (5)** onto **hub (6)** with the fasteners removed earlier.

- (Figure 32)** Install the **hex shaft (8)** and **bearings (7)** with the four bolts removed earlier.  
**Make sure the washers (17) are properly installed in the original position. Also, make sure the two washers (13) are properly aligned with the actuator arms (14).**
- Make sure the **hex shaft (8)** turns freely.
- (Figure 30)** Install the right wheel, **axle (11)**, and **drive sprocket (12)** with the fasteners removed earlier. Install the **chain (15)** onto the **drive sprocket (12)**.
- Check the adjustment of the friction wheel. See "How To Adjust The Friction Wheel" in this section.
- Make sure the friction wheel and the disc drive plate are free from grease or oil.
- (Figure 23)** Install the **bottom panel (2)**.
- Tighten the **bolts (3)** on each side of the **bottom panel (2)**.
- Install the **left wheel (10)** to the **axle (11)** with the fasteners removed earlier.
- Connect the spark plug wire.

#### How To Replace the Auger Shear Bolt

The augers are secured to the auger shaft with special shear bolts. These shear bolts are designed to break and protect the machine if an object becomes lodged in the auger housing. Do not use a harder bolt as the protection provided by the shear bolt will be lost.



**WARNING: For safety and to protect the machine, use only original equipment shear bolts.**

To replace a broken shear bolt, proceed as follows. Extra shear bolts were provided in the assembly parts bag.

- (Figure 1)** Move the **stop switch (13)** to the stop position. Disengage all controls.
- Disconnect the spark plug wire. Make sure all moving parts have stopped.
- (Figure 14)** Lubricate the auger shaft **Zerk fitting (1)**, if equipped, with a grease gun.
- (Figure 26)** Align the hole in the auger with the hole in the auger shaft. Install the new **shear bolt (2)**, **spacer (3)**, and **locknut (4)**.
- Connect the spark plug wire.

#### How To Prepare The Snow Thrower For Storage



**WARNING: Do not remove gasoline while inside a building, near a fire, or while you smoke. Gasoline fumes can cause an explosion or a fire.**

If the snow thrower is to be stored for an extended period, refer to the engine manufacturer's operating manual (included with some models) for important maintenance or storage details.

- Drain the fuel tank.
- Let the engine run until it is out of gasoline.
- Never store the snow thrower with fuel in the tank inside a building where ignition sources are present such as hot water and space heaters, clothes dryers, and the like. Allow the engine (motor) to cool before storing in any enclosure.
- Drain the oil from the warm engine. Fill the engine crankcase with new oil.
- Thoroughly clean the snow thrower.
- Lubricate all lubrication points. See the Maintenance section.
- Be sure that all nuts, bolts and screws are securely fastened. Inspect all visible moving parts for damage, breakage and wear. Replace if necessary.
- Cover the bare metal parts of the blower housing, auger, and the impeller with spray rust preventative lubricant.
- Put the unit in a building that has good ventilation. Store in a clean and dry area, but NOT near a stove, furnace or water heater which uses a pilot light or any device that can create a spark.
- If the machine must be stored outdoors, block up the snow thrower to be sure the entire machine is off the ground.
- Cover the snow thrower with a suitable protective cover that does not retain moisture. Do not use plastic.

#### How To Order Replacement Parts

The replacement parts are shown either on the back pages of this Instruction Book or in a separate Parts List Book.

Use only manufacturer's authorized or approved replacement parts. Do not use attachments or accessories not specifically recommended for this unit. In order to obtain proper replacement parts you must supply the model number (see nameplate).

To obtain replacement parts, contact your local Dealer.

Replacement parts for the engine, transaxle, or transmission, are available from the manufacturer's authorized service centre found in the yellow pages of the telephone directory. Also, see the individual engine or transmission warranties to order replacement parts.

When ordering the following information is required:

- The Model Number
- Serial Number
- Part Number
- Quantity

**TROUBLE SHOOTING CHART**

<b>TROUBLE</b>	<b>CAUSE</b>	<b>CORRECTION</b>
<b>Difficult starting</b>	Defective spark plug.	Replace spark plug.
	Water or dirt in fuel system.	Use carburetor bowl drain to flush and refill with fresh fuel.
<b>Engine runs erratic</b>	Blocked fuel line, empty gas tank, or stale gasoline.	Clean fuel line; check fuel supply; add fresh gasoline.
<b>Engine stalls</b>	Unit running on CHOKE.	Set choke lever to RUN position.
<b>Engine runs erratic; Loss of power</b>	Water or dirt in fuel system.	Use carburetor bowl drain to flush and refill with fresh fuel.
<b>Excessive vibration</b>	Loose parts: damaged impeller.	Stop engine immediately and disconnect spark plug wire. Tighten all bolts and make all necessary repairs. If vibration continues, have the unit serviced by a competent repairman.
<b>Unit fails to propel itself</b>	Drive belt loose or damaged.	Replace drive belt.
	Incorrect adjustment of traction drive cable.	Adjust traction drive cable.
	Worn or damaged friction wheel.	Replace friction wheel.
<b>Unit fails to discharge snow</b>	Auger drive belt loose or damaged.	Adjust auger drive belt; replace if damaged.
	Auger control cable not adjusted correctly.	Adjust auger control cable.
	Shear bolt broken.	Replace shear bolt.
	Discharge chute clogged.	Stop engine immediately and disconnect spark plug wire. Clean discharge chute and inside of auger housing.
	Foreign object lodged in auger.	Stop engine immediately and disconnect spark plug wire. Remove object from auger.

# BRIGGS AND STRATTON POWER PRODUCTS GROUP, L.L.C. OWNER WARRANTY POLICY

Effective January 1, 2008 replaces all undated Warranties and all Warranties dated before January 1, 2008

## LIMITED WARRANTY

Briggs & Stratton Power Products Group, LLC will repair or replace, free of charge, any part(s) of the product that is defective in material or workmanship or both. Transportation charges on product submitted for repair or replacement under this warranty must be borne by purchaser. This warranty is effective for the time periods and subject to the conditions stated below. For warranty service, find the nearest Authorized Service Dealer in our dealer locator map at [www.murray.com](http://www.murray.com).

THERE IS NO OTHER EXPRESS WARRANTY, IMPLIED WARRANTIES, INCLUDING THOSE OF MERCHANTABILITY AND FITNESS FOR A PARTICULAR PURPOSE, ARE LIMITED TO ONE YEAR FROM PURCHASE, OR TO THE EXTENT PERMITTED BY LAW. ANY AND ALL IMPLIED WARRANTIES ARE EXCLUDED. LIABILITY FOR INCIDENTAL OR CONSEQUENTIAL DAMAGES ARE EXCLUDED TO THE EXTENT EXCLUSION IS PERMITTED BY LAW. Some states or countries do not allow limitations on how long an implied warranty lasts, and some states or countries do not allow the exclusion or limitation of incidental or consequential damages, so the above limitation and exclusion may not apply to you. This warranty gives you specific legal rights and you may also have other rights which vary from state to state or country to country.

## WARRANTY TERMS

Brand / Unit	Consumer Use	Commercial Use
Dual Stage Snowthrower .....	2 years .....	90 Days

The warranty period begins on the date of purchase by the first retail consumer or commercial end user, and continues for the period of time stated above. "Consumer use" means personal residential household use by a retail consumer. "Commercial use" means all other uses, including use for commercial, income producing or rental purposes. Once product has experienced commercial use, it shall thereafter be considered as commercial use for purposes of this warranty.

No warranty registration is necessary to obtain warranty on Murray branded products. Save your proof of purchase receipt. If you do not provide proof of the initial purchase date at the time warranty service is requested, the manufacturing date of the product will be used to determine the warranty.

## ABOUT YOUR WARRANTY

We welcome warranty repair and apologize to you for being inconvenienced. Any Authorized Service Dealer may perform warranty repairs. Most warranty repairs are handled routinely, but sometimes requests for warranty service may not be appropriate. For example, warranty service would not apply to the product if damage occurred because of misuse, lack of routine maintenance, shipping, handling, warehousing or improper installation. Similarly, the warranty is void if the serial number on the product has been removed or the product has been altered or modified.

This warranty covers product related defective material and/or workmanship only. To avoid misunderstanding which might occur between the customer and the Dealer, listed below are some of the causes of product failure that the warranty does not cover.

- **Normal Wear:** Small Engine Powered Equipment, like all mechanical devices, needs periodic parts and service to perform well. Warranty does not cover repair when normal use has exhausted the life of the product or part.
- **Installation:** This warranty does not apply to product that has been subjected to improper or unauthorized installation, alteration or modification. Nor installations that prevent starting cause unsatisfactory engine performance.
- **Improper Maintenance:** The life of this product depends upon the conditions under which it operates, and the care it receives. Recommended maintenance and adjustment intervals are stated in the Operator's Manual. Often product, such as tillers, edgers, rotary mowers, are used in dusty or dirty conditions, which can cause what appears to be premature wear. Such wear, when caused by dirt, dust, or other abrasive material entering the product because of improper maintenance is not covered by warranty. The warranty will not cover repairs due to problems caused by replacement parts that are not original manufactured part(s).
- **Incorrect and/or Insufficient Fuel or Lubrication:** This warranty does not cover damage caused by the use of stale fuel, or altered gasoline. Damage to engine or engine components i.e., combustion chamber, valves, valve seats, valve guides, burned starter motor windings caused by use of alternate fuels such as liquefied petroleum, natural gas, are not covered unless engine is certified for this operation. Parts which are scored or broken because product was operated with insufficient, contaminated or incorrect grade of lubricating oil as well as product components damaged due to lack of lubrication are not covered.
- **Operational Misuse:** Proper operation of the product is stated in the Operator's Manual. Product damaged by overspeeding, overheating, or operation in a confined area without sufficient ventilation. Product broken by excessive vibration caused by a loose engine mounting, loose or unbalanced blades, impellers, overspeeding, or bent crankshaft due to striking of solid object. Damage or malfunctions resulting from accidents, abuse, or improper servicing or freezing or chemical deterioration, as well as operating in excess of recommended capacities as outlined in the Operator's Manual are not covered.
- **Routine Tune-Up, Wear Items, or Adjustments:** This warranty excludes wear items such as oil, belts, blades, o-rings, filters, etc.
- **Other Exclusions:** Repair or adjustments for part(s) that are not manufactured by Briggs & Stratton Corporation, are not covered, see warranty for respective manufacturers. This warranty excludes failures due to acts of God and other major forceful events beyond the manufacturer's control. Also excluded are used, reconditioned, and demonstration products.

Warranty service is available only through Authorized Service Dealers. Locate your nearest dealer in our locator map at [www.murray.com](http://www.murray.com).



## TABLE DES MATIÈRES

<b>SYMBOLES DE DANGERS ET LEURS SIGNIFICATIONS</b> .....	18
<b>SYMBOLES DE DANGERS ET LEURS SIGNIFICATIONS</b> .....	18
<b>MONTAGE</b> .....	23
<b>FONCTIONNEMENT</b> .....	23
<b>TABLEAU DE MAINTENANCE</b> .....	26
<b>MAINTENANCE</b> .....	26
<b>TABLEAU DE DEPANNAGE</b> .....	30
<b>GARANTIE LIMITÉE</b> .....	31

Les figures (exemple : Figure 1) sont situées à l'intérieur de la première et de la dernière page de ce manuel, avant la liste des pièces.

### Informations générales

Ce manuel d'instruction est écrit pour une personne qui possède quelques compétences mécaniques. Comme dans la plupart des manuels d'entretien, toutes les étapes ne sont pas décrites. Les étapes qui concernent le dévissage où le serrage des attaches sont des étapes que n'importe qui peut suivre avec un minimum de connaissances mécaniques. Lisez et suivez ces instructions avant d'utiliser votre équipement.

**Connaissez votre produit :** Si vous comprenez votre équipement et comment il fonctionne, vous obtiendrez les meilleures performances possibles. Pendant que vous lisez ce manuel, comparez les illustrations et l'équipement. Apprenez l'emplacement et les fonctions des commandes. Pour aider à prévenir les accidents, suivez les instructions de fonctionnement et les règles de sécurité. Conserver ce manuel pour référence future.

**IMPORTANT :** De nombreuses unités ne sont pas assemblées et sont vendues dans des cartons. Il est de la responsabilité du propriétaire de s'assurer que les instructions d'assemblage contenues dans ce manuel sont suivies à la lettre. D'autres unités sont achetées entièrement assemblées. Sur les unités déjà assemblées, il est de la responsabilité du propriétaire de s'assurer que l'unité est correctement assemblée. Le propriétaire doit vérifier l'unité avec attention en accord avec les instructions trouvées dans ce manuel avant la première utilisation.

### Besoin d'aide ?

Si vous avez besoin d'informations supplémentaires sur l'assemblage, le fonctionnement et l'entretien de votre équipement, veuillez communiquer avec votre détaillant.



Ce manuel contient des informations de sécurité destinées à vous faire prendre conscience des dangers et des risques associés avec les déneigeuses, et à comment les éviter. La déneigeuse est conçue pour être utilisée pour le déblayage de la neige, et ne doit pas être utilisée à d'autres fins. Il est important que vous lisiez et que vous compreniez ces instructions, et que toute personne qui doit faire fonctionner l'équipement lise et comprenne ces instructions.

### AVERTISSEMENT

Les gaz échappement du moteur de ce produit contiennent des produits chimiques identifiés par l'état de Californie comme entraînant le cancer, des malformations de naissance, et autres préjudices reproductifs.

Un mot de signalisation (DANGER, AVERTISSEMENT, ou PRUDENCE) est utilisé avec le symbole d'alerte pour indiquer la possibilité de blessures et leurs degrés de sévérité. En complément, un symbole de danger peut être utilisé pour représenter le type de danger.



**DANGER** indique un risque qui, s'il n'est pas évité, **entraînera la mort ou de sérieuses blessures.**



**AVERTISSEMENT** indique un risque qui, s'il n'est pas évité, **pourrait entraîner la mort ou de sérieuses blessures.**



**PRUDENCE** indique un risque qui, s'il n'est pas évité, **pourrait entraîner des blessures mineures ou modérées.**  
**PRUDENCE** lorsque utilisé **sans** le symbole d'alerte, indique une situation qui **pourrait endommager l'équipement.**

### Commandes et caractéristiques de l'équipement (voir Figure 1)

**Levier d'entraînement des roues (1)** – Sélectionne la marche avant ou la marche arrière.

**Manivelle (2)** – Change la direction de la goulotte d'éjection.

**Goulotte d'éjection (3)** – Change la distance d'éjection de la neige.

**Goulotte d'éjection (4)** – Change la direction d'éjection de la neige.

**Levier de fraise (5)** – Démarre et arrête la fraise (ramassage et éjection de la neige) qui propulse également la déneigeuse.

**Levier de vitesse (6)** – Sélectionne la vitesse du chasse-neige.

**Patin de réglage de la hauteur (7)** – Régle la garde au sol du carter de la fraise.

**Coupe-neiges (18)** – (si la machine en est équipée) Ils taillent un chemin dans la neige d'une profondeur supérieure à celle du carter de la fraise.

**Les vis de cisaillement (19)** – Afin de protéger la machine, des vis de cisaillement sont conçues spécialement pour se briser si un objet se trouve coincé dans le carter de la fraise. L'utilisation d'une vis plus résistante retire la protection fournie par la vis de cisaillement.

### Caractéristiques du moteur

**Clé de sécurité (8)** – Doit être introduite pour démarrer le moteur.

**Bouton d'amorçage (9)** – Injecte de l'essence directement dans le carburateur pour un démarrage rapide par temps froid.

**Bouton de démarrage électrique (10)** – Sur les modèles à démarrage électrique, sert à démarrer le moteur.

**Boîte de contacteur (11)** – Sur les modèles à démarrage électrique, sert à brancher une rallonge électrique de 220 volts.

**Poignée de démarreur à rappel (12)** – Utilisé pour un démarrage manuel du moteur.

**Interrupteur d'arrêt (13)** – Pour arrêter le moteur.

**Commande du starter (14)** – Utilisé pour un démarrage à froid du moteur.

### Symboles de dangers et leurs significations

Ces symboles sont utilisés sur votre équipement et sont définis dans votre manuel de fonctionnement. Revoyez et comprenez ce qu'ils veulent dire. L'utilisation de l'un de ces symboles en combinaison avec un mot d'avertissement vous avertira d'un danger potentiel et de comment l'éviter.

	<b>Alerte de sécurité</b> – Identifie les informations de sécurité à propos d'un danger qui peut entraîner des blessures.
	<b>Manuel de l'utilisateur</b> – Lire et comprendre avant d'entreprendre toute activité ou de faire fonctionner l'équipement.
	<b>Fraise rotative</b>
	<b>Impulseur rotative</b>
	<b>Fumées toxiques</b>
	<b>Engrenages en rotation</b>
	<b>Projection d'objets</b>
	<b>Maintenir une distance de sécurité</b> entre vous et l'équipement.
	<b>Ne jamais mettre les mains dans les pièces en rotation.</b>
	<b>Arrêter le moteur et retirer le connecteur de la bougie avant d'effectuer tout travail de maintenance ou de réparation.</b>
	<b>Incendie</b>
	<b>Explosion</b>
	<b>Choc</b>
	<b>Surfaces brûlantes</b>

### Symboles de dangers et leurs significations

Ces symboles sont utilisés sur votre équipement et sont définis dans votre manuel de fonctionnement. Il est important que vous revoyiez et que vous compreniez la signification de ces symboles. Un manquement de compréhension des symboles peut entraîner des risques de blessures corporelles.

	<b>Huile</b>		<b>Marche avant</b>
	<b>Carburant</b>		<b>Point mort</b>
	<b>Marche Arrêt</b>		<b>Marche arrière</b>
	<b>Pompe d'amorçage</b>		<b>Contact activé</b>
	<b>Manette des gaz</b>		<b>Contact désactivé</b>
	<b>Starter à l'arrêt</b>		<b>Clé de contact</b>
	<b>Starter en marche</b>		<b>Appuyer pour engager le démarreur électrique</b>
	<b>Arrêt</b>		<b>Démarrage électrique</b>
	<b>Lent</b>		<b>Démarrage du moteur</b>
	<b>Rapide</b>		<b>Moteur en marche</b>
	<b>Engager</b>		<b>Moteur à l'arrêt</b>
	<b>Traction</b>		
	<b>Collecteur de la fraise</b>		
	<b>Embrayage de la fraise</b>		
	<b>Embrayage de traction</b>		
	<b>Engager</b>		
	<b>Désengager</b>		
	<b>Déversoir</b>		<b>Défecteur</b>
	<b>GAUCHE</b>		<b>DROIT</b>
	<b>HAUT</b>		<b>BAS</b>



**⚠ DANGER**

Évitez la mort ou les blessures sérieuses entraînées par la rotation de la fraise.

Gardez les mains et les habits à distance.

Le désengorgement de la goulotte d'éjection est une activité dangereuse.

- Ne jamais tenter de désengorger la fraise de la présence de débris ou de neige compactée lorsque l'équipement est engagé ou que le moteur est en marche. Les fraises engorgées ou bloquées emmagasinent de l'énergie et peuvent entrer en rotation, MÊME SI LE MOTEUR EST À L'ARRÊT.
- Arrêter le moteur et enlever les clés lors d'une intervention d'entretien sur l'équipement.
- Ne jamais laisser l'équipement sans surveillance lorsque le moteur est en marche. Toujours désengager les commandes de la fraise et de la traction, arrêter le moteur, et enlever les clés.
- Maintenir les enfants, les animaux domestiques, et les autres personnes hors de la région de fonctionnement. Les enfants sont souvent attirés par l'équipement. Soyez conscient de toutes les personnes présentes.
- Maintenir les vêtements flottants à bonne distance de l'avant de la déneigeuse et de la fraise. Les écharpes, les mitaines, les cordons de serrage, les vêtements lâches et les pantalons peuvent être rapidement happés dans le dispositif rotatif et entraîner un démembrement. Attacher les cheveux longs et enlever les bijoux.
- La déneigeuse ne doit être utilisée que pour le déblayage de la neige. Ne pas l'utiliser à d'autres fins que celles pour lesquelles elle a été conçue.
- Ne pas effectuer le déneigement en travers d'une pente. Exercer une extrême prudence lors du changement de direction dans des pentes. Ne pas essayer de dégager des pentes abruptes.
- Ne pas utiliser la déneigeuse sur des surfaces situées au-dessus du niveau du sol telles que des toitures de résidence, garages, des vérandas ou de toute autre structure ou bâtiment.



**⚠ DANGER**

Des objets peuvent être happés par la fraise et éjectés au travers la goulotte.

Ne jamais projeter la neige vers des personnes ou des voitures, et ne jamais laisser personne se tenir devant la déneigeuse.

- Soyez conscients de votre environnement lors de l'utilisation de l'équipement. Le passage au-dessus de certains éléments tels que du gravier, des tapis de sol, des journaux, des jouets, et des pierres cachées sous la neige, peut entraîner une projection de ces objets ou un blocage de la fraise.
- Soyez toujours conscient de la direction dans laquelle la neige est projetée. Les piétons environnants, les animaux domestiques, ou les propriétés, peuvent être blessés ou endommagés par des projections d'objets.
- Familiarisez-vous avec la région dans laquelle vous allez travailler. Marquez les limites des trottoirs et des allées pour éviter d'endommager les propriétés, ainsi que la projection d'objets.
- Procédez avec prudence lors du déblayage de régions peu familières. Restez en alerte au cas où des dangers ou une circulation cachées surviendraient.
- Après avoir heurté un objet étranger, coupez le moteur, attendez que toutes les pièces en mouvement s'immobilisent, et vérifiez immédiatement que l'équipement n'est pas endommagé. Si vous détectez des dommages, effectuez les réparations nécessaires avant de démarrer et de faire fonctionner la déneigeuse.
- Avec le moteur à l'arrêt, vérifiez que toutes les pièces en mouvement sont à l'arrêt et toujours utiliser un bâton pour nettoyer la goulotte d'éjection.
- Couper le moteur si l'équipement émet des vibrations anormales. Des vibrations sont généralement un avertissement de problèmes. Consulter un concessionnaire agréé pour effectuer des réparations si nécessaire.



**⚠ DANGER**

La goulotte d'éjection contient un impulsor rotatif pour éjecter la neige. Ne jamais nettoyer la goulotte d'éjection avec les mains, ou pendant que le moteur est en fonctionnement.

Les doigts peuvent être rapidement happés et une amputation ou de sévères lacérations peuvent être encourues.

- Déboucher la chute d'évacuation constitue une activité dangereuse. Les vis sans fin bouchées ou bloquées emmagasinent de l'énergie et peuvent se mettre à tourner de manière imprévue, même si le moteur est éteint.
- Ne jamais placer vos mains dans ou à proximité de la goulotte d'éjection.
- Le moteur étant à l'arrêt, attendre que toutes les pièces mobiles soient à l'arrêt, puis à l'aide d'un bâton, nettoyez la goulotte. Même avec le moteur à l'arrêt, des pièces peuvent être en rotation et entraîner un démembrement.
- De la neige compactée peut masquer d'autres obstructions dans la goulotte et entraîner un endommagement de l'équipement, de la turbine, ou de la fraise. Prendre toutes les précautions nécessaires lors du redémarrage de l'équipement après le nettoyage de la neige.



**⚠ AVERTISSEMENT**

Les moteurs émettent du monoxyde de carbone, un gaz toxique inodore et incolore.

L'inhalation du monoxyde de carbone peut entraîner des nausées, des pertes de conscience ou la mort.

- Démarrer et faire fonctionner le moteur à l'extérieur.
- Ne pas démarrer ou faire fonctionner un moteur dans un endroit fermé, même si les portes ou les fenêtres sont ouvertes.

**AVERTISSEMENT**

L'essence et ses vapeurs sont extrêmement inflammables et explosives.

Un incendie ou une explosion peut entraîner de sévères brûlures ou la mort.

**LORS DU REMPLISSAGE DU RÉSERVOIR**

- Coupez le moteur et laissez le moteur refroidir pendant au moins deux minutes avant d'enlever le bouchon du réservoir d'essence.
- Remplir le réservoir d'essence à l'extérieur- ou dans une région bien ventilée.
- Ne pas faire déborder le réservoir d'essence.
- Maintenir l'essence à distance des étincelles, des flammes, des veilleuses, de la chaleur, et autres sources d'allumage.
- Vérifier fréquemment les durites d'essence, le réservoir, le bouchon, et les raccords à la recherche de fissures ou de fuites. Remplacer si nécessaire.

**LORS DU DÉMARRAGE DU MOTEUR**

- S'assurer que les bougies, le pot d'échappement, le bouchon du réservoir d'essence, et le filtre à air sont en place.
- Ne pas tenter de faire tourner le moteur si la bougie n'est pas présente.
- Si de l'essence est renversée, attendre qu'elle soit évaporée avant de démarrer le moteur.
- Si le moteur se noie, placer le starter sur la position OPEN/RUN (OUVERT/MARCHE), placer la manette des gaz sur la position FAST (RAPIDE) et faire tourner le moteur à l'aide du démarreur jusqu'à ce que le moteur démarre.

**LORS DU FONCTIONNEMENT DE L'ÉQUIPEMENT**

- Ne pas étouffer le carburateur pour arrêter le moteur.

**LORS DU TRANSPORT DE L'ÉQUIPEMENT**

- Effectuer le transport avec le réservoir d'essence VIDE.

**LORS DE L'ENTREPOSAGE D'ESSENCE OU DE L'ÉQUIPEMENT AVEC DE L'ESSENCE DANS LE RÉSERVOIR**

- Entreposer à distance de chaudières, de poêles, de chauffe-eau ou d'autres appareils qui possèdent une veilleuse ou autre sources d'allumage car celles-ci peuvent enflammer les vapeurs d'essence.

## RÈGLES D'UTILISATION DANS DES CONDITIONS DE SÉCURITÉ



**AVERTISSEMENT : La machine est capable d'amputer des mains ou des pieds et de rejeter des objets. Lisez ces consignes de sécurité et suivez-les à la lettre. Un manquement à ces consignes pourrait entraîner une perte de contrôle de la machine, de sérieuses blessures ou même la mort, ou causer des dégâts matériels. Le triangle ⚠️ situé dans le texte indique un danger ou une mise en garde qui doit être respecté.**

### Conditions d'utilisation en toute sécurité d'une souffleuse à neige

**IMPORTANT :** Les normes de sécurité impliquent la présence de l'opérateur aux commandes afin de minimiser les risques de blessure. Votre souffleuse à neige est équipée de ces commandes. En aucun cas, vous ne devez essayer de contourner la présence de l'opérateur aux commandes.

#### Formation

1. Lisez, comprenez, et suivez toutes les consignes sur la machine et dans le manuel avant d'utiliser cette machine. Familiarisez-vous complètement avec les commandes et l'utilisation appropriée de cet équipement. Sachez comment débrayer les commandes et arrêter la machine rapidement.
2. Ne laissez jamais les enfants utiliser la machine. Ne laissez jamais les adultes utiliser la machine sans rappeler les consignes de sécurité.
3. Tenez les personnes, et en particulier les petits enfants et les animaux à l'écart de la zone de traitement.
4. Agissez avec prudence afin d'éviter de glisser ou de tomber en particulier lorsque vous reculez.

#### Préparation

1. Inspectez complètement la zone de traitement et enlevez les paillasons, les luges, les planches, les câbles et tous les autres objets étrangers à l'équipement.
2. Débrayez tous les embrayages et mettez au point mort avant de démarrer la machine (moteur).
3. N'utilisez jamais l'équipement sans porter une tenue d'hiver appropriée. Portez des bottes qui résistent aux surfaces glissantes. Évitez de porter des vêtements larges qui pourraient se prendre dans des pièces mobiles.
4. Manipulez l'essence avec précaution, elle est hautement inflammable.
  - a. Utilisez un récipient à essence homologué.
  - b. N'ajoutez jamais d'essence dans un moteur chaud ou en marche.
  - c. Remplissez le réservoir d'essence avec une extrême précaution à l'extérieur. Ne remplissez jamais le réservoir d'essence à l'intérieur. Révissez le bouchon du réservoir à fond et essuyez l'essence répandue.
  - d. Ne remplissez jamais des récipients à l'intérieur d'un véhicule, d'un camion ou d'une remorque avec une bâche en plastique. Placez toujours les récipients sur le sol, loin des véhicules, avant de les remplir.
  - e. Si cela est plus pratique, enlevez les appareils fonctionnant à l'essence du camion ou de la remorque et remplissez-les à même le sol. Si ce n'est pas possible, alors remplissez avec un récipient portable plutôt qu'à partir du gicleur du distributeur de carburant.
  - f. Maintenez le gicleur en contact avec le bord du réservoir de carburant ou l'ouverture du récipient jusqu'à ce que le remplissage soit complet. N'utilisez pas un outil de fermeture/ouverture de gicleur.
  - g. Révissez le bouchon du réservoir à fond et essuyez l'essence répandue.
  - h. Si de l'essence s'est répandue sur les vêtements, changez-les immédiatement.
5. Utilisez des rallonges et des récipients tel qu'indiqué par le fabricant pour toutes les machines ayant des moteurs à fonctionnement ou à propulsion électrique.

6. Réglez la hauteur du carter du collecteur pour enlever les graviers ou les surfaces pierreuses accidentées.
7. N'essayez jamais de faire des réglages pendant que le moteur marche (sauf si cela est recommandé par le fabricant).
8. Réglez le moteur et la souffleuse selon la température extérieure avant de commencer à enlever la neige.
9. Portez toujours des lunettes de sécurité ou un masque de protection pendant la manœuvre de la machine ou pendant son réglage ou sa réparation afin de protéger les yeux contre des objets étrangers qui pourraient être rejetés par la machine.
10. N'utilisez jamais la souffleuse sans plaques de protection ou sans autres appareils de sécurité appropriés.

#### Fonctionnement

1. Ne mettez pas les mains ou les pieds sous les pièces mobiles de la machine. Maintenez toujours la chute propre.
2. Agissez avec une extrême prudence lorsque vous utilisez la machine ou que vous traversez des routes ou des chemins recouverts de graviers. Restez vigilant à l'égard du trafic et des dangers cachés.
3. Si vous rencontrez un objet étranger, arrêtez le moteur, retirez le cordon relié aux moteurs électriques, inspectez complètement la souffleuse pour vérifier qu'il n'y a pas de dommages et réparez les dommages avant de redémarrer et de manoeuvrer la souffleuse.
4. Si la machine vibre anormalement, arrêtez le moteur et cherchez-en immédiatement la cause. Les vibrations sont généralement l'expression d'un problème.
5. Arrêtez le moteur lorsque vous quittez votre poste avant de désencrasser le collecteur/rotor ou la chute, et lorsque vous effectuez des réparations.
6. Lorsque vous nettoyez, réparez ou inspectez, assurez-vous que le collecteur/rotor et toutes les autres pièces mobiles sont arrêtés. Débranchez le câble de la bougie d'allumage et tenez-le à l'écart de la bougie d'allumage afin d'empêcher un démarrage accidentel.
7. N'utilisez pas la machine à l'intérieur d'un bâtiment sauf pour la démarrer et pour la rentrer ou la sortir. Ouvrez les portes extérieures; les émanations des gaz de combustion sont dangereuses (contiennent du MONOXYDE DE CARBONE, un gaz INODORE et MORTEL).
8. Agissez avec une extrême précaution lorsque vous traitez les talus. N'essayez pas de nettoyer les talus abrupts.
9. N'utilisez jamais la souffleuse sans plaques de protection ou sans autres appareils de sécurité appropriés.
10. N'orientez jamais la chute en direction des personnes ou des zones où des biens matériels pourraient être endommagés. Maintenez les enfants à l'écart.
11. Ne dépassez pas les capacités de la machine en essayant d'enlever la neige trop rapidement.
12. Ne manoeuvrez jamais la machine à des vitesses élevées sur des surfaces glissantes. Regardez derrière vous et faites attention lorsque vous reculez.
13. Débranchez l'alimentation du collecteur/rotor lorsque la souffleuse est transportée ou non utilisée.
14. N'utilisez que les appareils et les accessoires recommandés par le fabricant de la souffleuse (tels que cabine, chaînes à pneus, etc.).
15. N'utilisez jamais la souffleuse sans avoir une bonne visibilité ou un bon éclairage. Faites toujours attention où vous mettez les pieds et tenez fermement les poignées de commande. Marchez, mais ne courez jamais.

16. Ne touchez jamais à un moteur chaud ou à un silencieux.
17. N'utilisez jamais la souffleuse près de portes-vitrées, d'automobiles, de fenêtres, de précipices et sans un réglage approprié de l'angle de décharge de la chute de la neige.
18. N'orientez jamais la chute vers des personnes présentes ou ne laissez jamais personne se mettre devant la machine.
19. Ne laissez jamais une machine en marche sans surveillance. Débrayez toujours les commandes de traction et de vis transporteuse, arrêtez le moteur et enlevez les clés.
20. N'utilisez pas la machine sous l'emprise de l'alcool ou de la drogue.
21. N'oubliez pas que vous êtes responsable des accidents qui surviennent à d'autres personnes ou à des biens matériels.
22. Les statistiques indiquent que les utilisateurs âgés de 60 ans et plus sont impliqués pour une large part dans les accidents d'équipements électriques. Ces utilisateurs doivent évaluer leur capacité à utiliser cette machine en toute sécurité afin de se protéger eux-mêmes ainsi que les autres contre d'éventuelles blessures.
23. NE portez PAS de longues écharpes ou de vêtements larges qui pourraient être pris dans des pièces mobiles.
24. La neige peut cacher des obstacles. Assurez-vous que vous avez bien enlevé tous les obstacles de la zone de traitement.
2. Ne rangez jamais la machine avec de l'essence dans le réservoir dans un bâtiment où il existe des sources d'inflammation tels que les chaudières et les chauffe-eau, ou les sèche-linges. Laissez la machine refroidir avant de la ranger dans un endroit clos.
3. Référez-vous toujours au manuel utilisateur pour les détails importants si la souffleuse doit être stockée dans un endroit clos pendant une plus longue période.
4. Conservez ou remplacez les étiquettes des consignes de sécurité si nécessaire.
5. Laissez la machine tourner pendant quelques minutes après le soufflage de la neige afin d'empêcher que le collecteur/rotor ne gèle.
6. Si de l'essence s'est répandue, n'essayez pas de démarrer la machine mais déplacez-la de la zone et évitez de créer une source d'inflammation jusqu'à ce que les vapeurs d'essence se soient dissipées.
7. Respectez toujours les règles de sécurité pour le remplissage et la manipulation de l'essence lorsque vous réalimentez la machine après le transport ou le stockage.
8. Suivez toujours les instructions de service pour le stockage avant de stocker la machine pendant de courtes et de longues périodes.
9. Suivez toujours nstructions de service pour les procédures adéquates de démarrage lorsque vous remettez la machine en service.
10. Resserrez les vis et les boulons et maintenez l'équipement en bon état.
11. Ne changez jamais des appareils de sécurité. Contrôlez leur fonctionnement régulièrement et effectuez les réparations nécessaires s'ils ne fonctionnent pas correctement.
12. Les composants sont sujets à l'usure, aux dommages et aux détériorations. Contrôlez fréquemment les composants et remplacez-les avec des pièces de rechange recommandées par le fabricant, si nécessaire.
13. Contrôlez fréquemment le fonctionnement des commandes. Réglez et entretenez tel qu'indiqué.
14. N'utilisez que des pièces de rechange homologuées lorsque vous faites des réparations.
15. Respectez toujours les consignes du fabricant lors des réglages.
16. Il n'y a que les lieux de réparation autorisés qui peuvent être utilisés pour l'entretien complet et les réparations exigées.
17. N'essayez jamais d'effectuer des réparations importantes sur cette machine à moins d'y avoir été préparé. Les procédures d'entretien non conventionnelles peuvent déboucher sur un fonctionnement aléatoire, des équipements endommagés et la suspension de la garantie du fabricant.

## Enfants

Des accidents tragiques peuvent survenir si l'utilisateur n'est pas alerté par la présence d'enfants. Les enfants sont souvent attirés par la souffleuse et l'activité de soufflage de la neige. N'oubliez pas que les enfants restent là où vous les avez vu en dernier.

1. Maintenez les enfants en dehors de la zone de traitement et sous la surveillance d'un autre adulte responsable.
2. Soyez vigilant et éteignez la machine si des enfants entrent dans la zone de traitement.
3. Ne laissez jamais les enfants utiliser la machine.
4. Soyez extrêmement vigilant lorsque vous vous approchez de coins invisibles, d'arbustes, d'arbres ou d'autres objets qui pourraient vous obscurcir la vue.

## Nettoyage d'une chute encrassée

Le contact manuel du rotor en mouvement situé à l'intérieur de la chute représente la cause la plus répandue de blessures associées à des souffleuses. N'utilisez jamais votre main pour nettoyer la chute.

Pour nettoyer la chute:

1. ETEIGNEZ LA MACHINE
2. Attendez 10 secondes afin d'être sûr que la vis/les couteaux du rotor se sont arrêtés de tourner.
3. Utilisez toujours un outil de nettoyage, mais pas vos mains.

## Entretien, maintenance et stockage

1. Vérifiez les boulons de cisaillement (goupilles) et les autres boulons à des intervalles réguliers afin de s'assurer qu'ils sont bien serrés et que les conditions de travail sont sûres.

## Emissions

1. Les gaz de combustion contiennent des produits chimiques qui sont réputés pour provoquer selon certaines quantités des cancers, des fausses couches, ou d'autres problèmes de ce genre.
2. Si possible, recherchez les émissions pertinentes, les périodes de durabilité et les informations sur l'état de l'air sur l'étiquette concernant les émissions de la machine.

## Système d'allumage

1. Ce système d'allumage par étincelle est conforme au ICES-002 canadien.

## MONTAGE

Lire et suivre les instructions de montage et de réglage de votre chasse-neige. Toutes les attaches se trouvent dans le sac de pièces détachées. Ne jeter aucune pièce avant d'avoir monté la machine.



**AVERTISSEMENT : Avant de monter le chasse-neige ou de procéder à son entretien, retirer le câble de la bougie.**

**REMARQUE :** Dans ce manuel, la gauche et la droite désignent l'emplacement d'une pièce par rapport à la position du conducteur à l'arrière de la machine.

**REMARQUE :** Le couple de torsion se mesure en Newton-mètre (pieds-livre). Il permet d'évaluer le serrage d'un boulon ou d'une vis. Le couple de torsion se mesure à l'aide d'une clé dynamométrique.

**REMARQUE :** Les fixations et pièces en vrac fournies sont illustrées grandeur nature dans la figure 2 à la page 32.

**REMARQUE :** Des illustrations sont présentes à la page 2 et sur les pages 33 à 38.

### OUTILS NÉCESSAIRES

- 1 Couteau
- 1 Pince
- 2 Clé de 1/2 pouces
- 2 Clé de 9/16 pouces
- 2 Clé de 3/4 pouces
- 1 Mètre ruban ou règle
- 1 Tournevis
- 1 Clé de 3/8 pouce
- 1 Clé de 7/16 pouce

### Retrait du chasse-neige de son carton d'emballage

1. (Figure 3) Le chasse-neige est illustré dans sa position à l'expédition.
2. Enlever les matériaux d'emballage des roues, de la poignée et du compartiment de la fraise.
3. Localiser et sortir le sac de pièces (certains modèles sont livrés sans sac de pièces).
4. Couper l'extrémité du carton à côté de la poignée.
5. Tirer sur la poignée pour faire rouler le chasse-neige hors du carton.

**PRUDENCE : NE PAS rouler sur les câbles.**

6. Enlever les matériaux d'emballage présents sur la poignée et le compartiment de la fraise.
7. Couper les colliers en plastique d'orange utilisés pour maintenir les câbles de commande en place durant l'expédition sur la POIGNÉE INFÉRIEURE.
8. Si les câbles de commande ont été débranchés des leviers de commande, fixer les câbles sur les leviers (voir le manuel de l'utilisateur pour consulter une illustration du câble et du levier).

### Montage de la poignée et de la manivelle du déflecteur

1. (Figure 4) Dévisser, mais sans les retirer, les fixations (1) dans les trous supérieurs de la poignée inférieure.
2. Retirer toutes les fixations et le boulon à oeillet de la manivelle (11) des trous inférieurs de la poignée inférieure.
3. (Figure 1) Mettre le levier de vitesse (6) en première vitesse de la marche avant.
4. (Figure 4) Soulever la poignée supérieure (2) et la mettre en position de fonctionnement.

**REMARQUE :** S'assurer que les câbles ne se prennent pas entre la poignée inférieure et la poignée supérieure.

5. Remonter les fixations et le boulon à oeillet de la manivelle (11) démontés à l'étape 2. NE PAS visser avant que toutes les fixations soient en place.
6. (Figure 5) Attacher la tringle de la manivelle (15) au joint universel (16) à l'aide de la goupille (12).
7. (Figure 4) Serrer l'écrou sur le boulon à oeillet (11). S'assurer que le boulon à oeillet (11) est correctement aligné et que la manivelle du déversoir vilebrequin (18) peut tourner librement.
8. Visser toutes les fixations de la poignée.

### Montage de la poignée du levier de vitesse (Figure 6)

**REMARQUE :** Si les boutons sont déjà installés, se reporter à la section suivante.

1. Monter la poignée (3) sur le levier de vitesse (2). Sur certains modèles, la poignée (3) est déjà posée. Pour fixer la poignée sur le levier de vitesse, serrer l'écrou de blocage hexagonal (1) contre la base de la poignée (3).
2. Veiller à ce que le levier de vitesse (2) fonctionne correctement en enclenchant toutes les vitesses.

### Assemblage du déflecteur de chute

**REMARQUE :** L'ensemble de l'anneau de la chute (1) est installé sur l'appareil à l'usine (Figure 7).

1. Tourner la manivelle (18, Figure 4) jusqu'à ce que la flèche de la bague extérieure (2, Figure 7) de l'anneau de la chute pointe vers l'avant.
2. Mettre l'anneau de la chute (3) sur la bague extérieure (2), de manière à ce que l'ensemble de l'anneau de la chute soit aligné avec la flèche de la bague extérieure.
3. Monter le déflecteur de la chute (4) en passant les vis (5) et les écrous (6) dans les trous comme illustré. L'installation est adéquate lorsque le déflecteur de chute pointe vers l'avant.
4. Serrer les vis fermement, en faisant attention à ne pas trop les serrer.

### Vérification des câbles

1. (Figure 8) Vérifier le câble d'entraînement des roues (1) et le câble d'entraînement de la fraise hélicoïdale (2). Si la partie inférieure des câbles a été débranchée, réinstaller les câbles.
2. (Figure 10) Si la partie supérieure des câbles (5) s'est détachée des leviers d'avancée (6), attacher les câbles (5) au support en forme de « Z » (7).

### Réglage de la hauteur des patins (Figure 1)

Le chasse-neige est équipé de patins à hauteur réglables (7) montés à l'extérieur du carter de la fraise hélicoïdale (4). Pour effectuer le réglage de la hauteur des patins, voir « Réglage de la hauteur des patins » dans la section Entretien.

### Réglage de la longueur des câbles

Les câbles ont été ajustés en usine et aucun réglage ne devrait être nécessaire. Cependant, lors de la mise des poignées en position de fonctionnement, les câbles peuvent être trop tendus ou trop lâches. Dans le cas où un réglage s'avère nécessaire, consulter la rubrique « Vérification et réglage des câbles » dans la section Maintenance et réglage.

### Montage des coupe-neiges (si la machine en est équipée)

Les coupe-neiges servent à ouvrir un passage dans la neige lorsque celle-ci est plus profonde que le carter de la fraise.

1. (Figure 11) Desserrer les fixations (2) attachant les coupe-neiges (1) au carter de la fraise.
2. Lever les coupe-neige (1) à la hauteur voulue.
3. Resserrer les fixations (2).

### Préparation du moteur

**REMARQUE :** Le moteur a quitté l'usine rempli d'huile. Vérifier le niveau d'huile. En ajouter autant que nécessaire. Suivre les instructions du fabricant de ce moteur au sujet de l'utilisation de l'essence et de l'huile. Le moteur ne contient pas d'ESSENCE.



**AVERTISSEMENT :** Suivre les instructions du fabricant du moteur pour connaître le type de carburant et d'huile à utiliser. Toujours utiliser un bidon à essence de sûreté. Ne pas fumer en remplissant le réservoir d'essence. Ne pas faire le plein à l'intérieur d'un bâtiment. Arrêter le moteur avant d'ajouter de l'essence. Laisser refroidir le moteur quelques minutes.

Vérifier le niveau d'huile. Voir les instructions du fabricant du moteur pour connaître le type de carburant et d'huile à utiliser. Avant d'utiliser la machine, lire les informations concernant la sécurité, le fonctionnement, l'entretien et le remisage.

### Important ! Avant de démarrer la machine :

- Vérifier toutes les fixations. S'assurer que toutes les fixations sont solidement serrées.
- Les modèles à démarrage électrique ont été livrés avec le câble du démarreur branché sur le moteur. Avant d'utiliser la machine, débranchez le câble du démarreur du moteur.

### FONCTIONNEMENT

**REMARQUE :** Des illustrations sont présentes à la page 2 et sur les pages 33 à 38.

**PRUDENCE :** N'utiliser que des équipements et des accessoires approuvés par le fabricant de la déneigeuse (tels que des chaînes pour les pneus, des kits de démarrage électrique, etc.).

## Se familiariser avec le chasse-neige (Figure 1)

Avant d'utiliser la machine, lire le manuel d'utilisation et les règles de sécurité. Comparer les illustrations avec le chasse-neige pour se familiariser avec l'emplacement des différentes commandes et des réglages.

### Commande du déversement de la neige



**AVERTISSEMENT** : Ne jamais diriger le déversement de la neige en direction des personnes environnantes.



**AVERTISSEMENT** : Toujours arrêter le moteur avant de déboucher le déversoir ou le carter de la fraise et avant de laisser le chasse-neige.

- (Figure 1) Tourner la manivelle du déversoir (2) pour changer la direction du déversement de la neige.
- (Figure 12) Dévisser le boulon à oreille (1) situé sur le déflecteur de déversement (2). Lever le déflecteur de déversement (2) pour augmenter la distance ou l'abaisser pour raccourcir la distance. Resserrer le boulon à oreilles (1).

### Arrêt du chasse-neige (Figure 1)

- Pour stopper le déversement de la neige, relâcher le levier d'entraînement de la fraise hélicoïdale (5).
- Pour arrêter les roues, relâcher le levier d'entraînement des roues (1).
- Pour arrêter le moteur, pousser l'interrupteur d'arrêt (13) pour le mettre en position OFF (arrêt).

**PRUDENCE** : Pour arrêter le moteur, ne pas mettre la commande du starter en position STARTER car cela peut entraîner un retour de flamme ou des dommages au moteur.

### Avancer et reculer (Figure 1)

- Pour modifier la vitesse au sol, relâcher d'abord le levier d'entraînement des roues (1), puis changer la position de la manette d'accélération (6) à la vitesse désirée.
- La vitesse au sol dépend des conditions d'enneigement. Sélectionner la vitesse en déplaçant la manette d'accélération (6) dans le cran désigné sur la plaque de l'accélérateur.
 

Vitesse 1, 2	Humide, lourde
Vitesse 3	Légère
Vitesse 4	Très légère
Vitesse 5, 6	Déplacement uniquement
- Pour avancer, embrayer le levier d'entraînement des roues (1). Garder une poigne ferme sur la poignée alors que le chasse-neige commence à avancer. Guider le chasse-neige en déplaçant la poignée vers la droite ou vers la gauche. Ne pas essayer de pousser le chasse-neige.
- Pour reculer, relâcher le levier d'entraînement des roues (1).
- Mettre la manette d'accélération (6) soit en première vitesse ou seconde vitesse de la marche arrière.

- Engager le levier d'entraînement des roues (1).

**IMPORTANT** : Ne pas déplacer la manette d'accélération (6) lorsque le levier d'entraînement des roues (1) est embrayé.

### Déblaiement de la neige (Figure 1)

- Embrayer le levier d'entraînement de la fraise hélicoïdale (5).
- Pour arrêter de déblayer la neige, relâcher le levier d'entraînement de la fraise hélicoïdale (5).



**AVERTISSEMENT** : L'utilisation de tout chasse-neige peut causer la projection de corps étrangers dans les yeux, ce qui peut laisser de sévères séquelles à la vision. Toujours porter des lunettes de protection ou une visière protectrice lors de l'utilisation du chasse-neige. Nous recommandons des lunettes de sécurité standard ou l'utilisation d'un masque de sécurité à vision élargie au dessus de vos lunettes.

### Utilisation de la goupille de blocage des roues (Figure 13)

- La roue droite est attachée à l'axe au moyen d'une goupille de blocage (1). Cette machine a été expédiée équipée de cette goupille de blocage (1) passée dans l'orifice de la roue en position verrouillée (2).
- Pour une meilleure manœuvrabilité dans des conditions de neige légère, mettre la goupille de blocage (1) en position déverrouillée (3).
- Déconnecter la goupille de blocage (1) de position verrouillée (2). Enfoncer la goupille de blocage (1) uniquement dans l'orifice de l'axe non verrouillé. La machine est à présent en position déverrouillée (3) de traction à roue unique.

### Avant de démarrer le moteur

- Avant de démarrer ou de réparer le moteur, se familiariser avec le chasse-neige. Prendre soin de bien comprendre la fonction et l'emplacement de toutes les commandes.
- Vérifier la tension du câble d'embrayage avant de démarrer le moteur. Voir « Réglage du câble d'embrayage » dans la section Entretien de ce manuel.
- Veiller à ce que toutes les fixations soient serrées.
- Veiller à ce que les patins de réglage de la hauteur soient correctement réglés. Voir « Réglage de la hauteur des patins » dans la section Entretien de ce manuel.
- Vérifier la pression des pneumatiques. La pression correcte est de 1 BAR (14 PSI) à 1,25 BAR (17 PSI). Ne pas dépasser la pression maximale inscrite sur le flanc des pneumatiques.

### Arrêt du moteur (Figure 1)

- Pousser l'interrupteur d'arrêt (13) pour le mettre en position OFF (arrêt).
- Tirer la clé de sécurité (8).

**PRUDENCE** : Pour arrêter le moteur, ne pas mettre la commande du starter en position STARTER car cela peut entraîner un retour de flamme ou des dommages au moteur.

## Démarrage du moteur (Figure 1)

### Modèles équipés d'un starter électrique

**REMARQUE** : Un kit de starter électrique peut être rajouté aux moteurs à démarrage manuel. Les kits de starter électrique sont disponibles dans votre centre de maintenance agréé le plus proche.



**AVERTISSEMENT** : Le starter est équipé d'une rallonge trifilaire conçue pour fonctionner avec du courant domestique CA. La rallonge doit être mise à la terre en permanence afin d'éviter l'éventualité d'une électrocution pouvant blesser le conducteur. Suivre attentivement les instructions dans la section « Démarrage du moteur ». Assurez-vous que le câblage électrique de votre maison est trifilaire avec prise de terre. En cas d'incertitude, consulter un électricien. Si le câblage électrique de votre maison n'est pas trifilaire avec prise de terre, ne pas utiliser ce starter électrique, en quelque circonstance que ce soit. Si votre système électrique est relié à la terre, mais qu'une prise trifilaire n'est pas disponible pour démarrer le moteur, faites-en installer une par un électricien agréé. Pour brancher une rallonge CA, toujours brancher d'abord la rallonge sur la prise de contact (11) du moteur. Brancher ensuite l'autre bout de la rallonge dans la prise trifilaire. Pour débrancher la rallonge électrique, toujours d'abord le bout de la prise trifilaire reliée à la terre.

### Démarrage à froid (Figure 1)

- Vérifier le niveau d'huile du moteur.
- Remplir le réservoir d'essence avec de l'essence ordinaire sans plomb. Voir « Préparation du moteur ».
- Veiller à ce que le levier d'entraînement des roues (1) et le levier d'entraînement de la lame (5) soient en position désengagée (relâchée).
- Pousser l'interrupteur d'arrêt (13) pour le mettre en position ON (marche).
- Pousser la clé de sécurité (8).
- Tourner le bouton de starter (14) pour le mettre en position STARTER.
- (Démarrage électrique) Connecter le câble électrique au moteur du démarreur situé sur le moteur.
- (Démarrage électrique) Brancher l'extrémité opposée du câble électrique dans une prise de courant à trois orifices avec prise de terre CA. (Voir la notice d'AVERTISSEMENT dans cette section).
- Pousser le bouton d'amorce (9). À chaque pression du bouton d'amorce (9), attendre 2 secondes. Pour connaître le nombre de pressions du bouton d'amorce (9) à effectuer, voir les instructions du fabricant du moteur.
- (Démarrage électrique) Pousser le bouton de démarrage électrique (10) jusqu'à ce que le moteur démarre. Ne pas faire tourner le démarreur pendant plus de 5 secondes de suite. Attendre une minute entre chaque tentative de démarrage pour permettre au démarreur de refroidir.



11. (**Démarrage à rappel**) Tirer lentement la **poignée du démarreur à rappel (12)** jusqu'à ce que l'on sente une résistance, puis tirer rapidement pour démarrer le moteur. Ne pas laisser la **poignée du démarreur à rappel (12)** se rétracter mais la ramener lentement.
12. Si le moteur ne démarre toujours pas après 5 ou 6 tentatives, voir les instructions figurant dans le « Tableau de dépannage ».
13. Laisser le moteur chauffer pendant quelques minutes. Pendant que le moteur chauffe, régler le **bouton de starter (14)** sur la position RUN (activation). Attendre jusqu'à ce que le moteur tourne de façon régulière avant d'effectuer tout réglage du starter.
14. (**Démarrage électrique**) Débrancher d'abord le câble électrique de la prise de courant à trois orifices, puis débrancher le câble électrique du moteur du démarreur.

**REMARQUE : Lorsque la température est au-dessous de -18° C (0° F), permettre au moteur de chauffer pendant quelques minutes avant d'utiliser le chasse-neige.**



**AVERTISSEMENT: Ne jamais faire fonctionner le moteur à l'intérieur d'un local ou dans un endroit mal ventilé. Les fumées d'échappement contiennent du monoxyde de carbone qui est un gaz inodore et mortel. Écarter pieds, mains, cheveux ou vêtements lâches des pièces mobiles du moteur ou du chasse-neige. Le silencieux et les pièces avoisinantes peuvent atteindre des températures dépassant 66° C (150° F). Éviter de les toucher.**

#### Démarrage d'un moteur à chaud (Figure 1)

Si le moteur est encore chaud d'une récente utilisation, tourner la **commande du starter (14)** en position « OFF » (arrêt). Ne pas appuyer sur le **bouton d'amorçage (9)**. Si le moteur ne démarre toujours pas, suivre les instructions dans « Démarrage d'un moteur froid ».

**REMARQUE : Ne pas utiliser le bouton d'amorçage (9) pour chauffer le moteur.**

#### Démarrage d'un moteur lorsque le démarreur électrique est gelé (Figure 1)

Si le démarreur électrique est gelé et ne démarre pas le moteur, suivre les instructions ci-dessous.

1. Tirer la corde du démarreur aussi loin que possible hors du démarreur.
2. Relâcher la poignée du démarreur et la laisser se rétracter contre le démarreur. Répéter cette opération jusqu'à ce que le moteur démarre.

Un moteur chaud entraîne la formation de condensation par temps froid. Pour éviter que le démarreur à rappel et les commandes du chasse-neige ne gèlent, procéder comme suit après chaque utilisation du chasse-neige.

1. Faire tourner le moteur du chasse-neige pendant quelques minutes afin d'éviter de geler la fraise/l'impulseur.
2. Une fois que le moteur est à l'arrêt, laisser le moteur refroidir pendant quelques minutes.
3. Tirer la corde du démarreur très lentement jusqu'à ce que l'on sente une résistance, puis arrêter et laisser la corde du démarreur se rétracter. Répéter cette opération trois fois de suite.
4. Alors que le moteur est à l'arrêt, essayer toute neige et humidité présente sur le couvercle du carburateur ainsi que sur les commandes et leviers du chasse-neige. Actionner aussi plusieurs fois la commande du starter et la poignée du démarreur.

#### Nettoyage des traces de neige sur le châssis de la fraise hélicoïdale



**AVERTISSEMENT : Ne pas tenter de retirer avec les mains de la neige ou des débris coincés dans le carter de la fraise sans prendre les précautions suivantes : utiliser un bâton de raclage ou un levier pour enlever la neige ou les débris.**

(Figure 21) Sur certains modèles, un **bâton de nettoyage (1)** est attaché sur le dessus du carter de la fraise. Utiliser celui-ci pour retirer la neige du carter de la fraise.

1. (**Figure 1**) Débrayer le **levier d'entraînement de la fraise (5)**.
2. Tirer la **clé de sécurité (8)**.
3. Ne pas mettre vos mains dans le **châssis de la fraise (4)** ou dans le **déversoir (3)**.
4. (**Figure 21**) Utiliser le **bâton de nettoyage (1)** ou un levier pour retirer neige et débris.

#### Conseils pour l'utilisation du chasse-neige

1. Pour que le chasse-neige fonctionne au meilleur rendement, régler sa vitesse de déplacement. Avancer plus lentement lorsque la neige est profonde, gelée ou humide. Réduire également la vitesse lorsque les roues patinent.
2. Les meilleurs résultats s'obtiennent lorsque le travail est effectué immédiatement après une chute de neige.  
**PRUDENCE : Ne pas surcharger la capacité de la machine en tentant de déblayer trop rapidement.**
3. Faire légèrement chevaucher les différents passages du chasse-neige pour un déblayage complet de la neige.
4. Projeter la neige dans le sens du vent dans la mesure du possible.
5. Normalement, régler les patins à 3 mm (1/8 pouce) sous le bord d'attaque. Dans de la neige très dure et tassée, les patins peuvent être réglés vers le haut de façon à ce que le bord d'attaque touche le sol.
6. Le gravier ne doit pas être pris par la vis sans fin et soufflé par la machine. Sur des surfaces de gravier, les patins doivent être réglés à 32 mm (1-1/4 pouce) sous le bord d'attaque (voir « Réglage de la hauteur des patins »).
7. En fin de travail, laisser le moteur tourner au ralenti pendant quelques minutes pour faire fondre la neige et la glace accumulée sur le moteur.
8. Nettoyer la machine après chaque utilisation.
9. Éliminer la glace, la neige, et les débris de la machine entière. Rincer à l'eau pour éliminer sel et autres produits chimiques. Sécher la machine avec un chiffon.

## TABLEAU DE MAINTENANCE

### RESPONSABILITES DE L'ACHETEUR

REGISTRE DES OPERATIONS D'ENTRETIEN Complétez les dates au fur et à mesure des opérations d'entretien régulier effectuées.	Avant chaque utilisation	2 première heures	Toutes les 5 heures	Toutes les 10 heures	Toutes les 25 heures	Chaque saison	Avant remisage	DATES DES OPERATIONS D'ENTRETIEN
Vérification du niveau d'huile	√		√			√		
Vidange de l'huile du moteur					√	√		
Vérification et serrage de tous les boulons et écrous	√					√		
Vérification de la bougie d'allumage					√	√		
Réglage de la courroie d'entraînement		√			√	√		
Vérification du niveau d'essence	√							
Vidage de l'essence							√	
Vérification du câble d'embrayage de la fraise (voir Réglage des câbles)		√				√		
Vérification du câble d'embrayage des roues (voir Réglage des câbles)		√				√		
Lubrification de tous les points d'articulation				√			√	
Lubrification de l'axe de la fraise hélicoïdale (voir Remplacement du boulon de cisaillement)				√			√	
Lubrification des chaînes d'entraînement et des pignons				√			√	

## ENTRETIEN

**REMARQUE : Des illustrations sont présentes à la page 2 et sur les pages 33 à 38.**

Utiliser la section Entretien suivante pour maintenir votre machine en bonne condition de fonctionnement. Toutes les informations concernant le moteur figurent dans le guide du fabricant du moteur. Lisez ce guide avant de démarrer le moteur.



**AVERTISSEMENT : Avant d'effectuer toute inspection, tout réglage (sauf celui du carburateur), ou toute réparation, débrancher le fil de la bougie d'allumage.**

### Recommandation d'ordre général

La garantie de ce chasse-neige ne couvre pas les pièces ayant fait l'objet d'abus ou de négligence de la part de l'utilisateur. Pour bénéficier entièrement de la garantie, l'utilisateur doit entretenir le chasse-neige comme indiqué dans ce manuel.

Certains réglages doivent être effectués régulièrement afin de maintenir le chasse-neige en bon état.

### Après chaque utilisation

- Détecter toute pièce desserrée ou endommagée.
- Resserrer toute fixation desserrée.
- Vérifier et entretenir la fraise.
- Contrôler les commandes pour vérifier si elles fonctionnent toutes correctement.
- Remplacer immédiatement toute pièce usée ou endommagée.
- Vérifier toutes les étiquettes et autocollants de sécurité et d'instructions. Remplacer tout autocollant ou étiquette manquant ou difficilement lisible.

Tous les réglages figurant dans la section Entretien de ce manuel doivent être vérifiés au moins une fois par saison.

### Obligatoire

Les réglages suivants doivent être vérifiés plus d'une fois par saison.

1. Régler la courroie d'entraînement de la fraise après les 2 ou 4 premières heures d'utilisation, une seconde fois au milieu de la saison, et deux fois à chaque saison suivante. Voir « Réglage de la courroie d'entraînement de la fraise » dans la section Entretien.

### Lubrification

#### Toutes les 10 heures (Figure 14)

1. Lubrifier les embouts graisseurs Zerk (1) toutes les dix heures avec un pistolet à graisse.
2. A chaque remplacement d'une vis de cisaillement, l'axe de la fraise doit également être graissé.
3. Lubrifier toutes les articulations.

#### Toutes les 25 heures

#### Engrenage de rotation de la goulotte d'éjection

(Figure 5) Lubrifier l'engrenage de rotation de la goulotte d'éjection (1) avec de l'huile pour moteur d'automobile.

#### Chaînes

1. (Figure 1) Mettre la manette d'accélération (6) en première vitesse.
2. Vider l'essence du réservoir. Placer le chasse-neige verticalement sur l'avant du carter de la fraise (4).



**AVERTISSEMENT : Vider l'essence en plein air, à l'écart de toute source de flammes ou de feu.**

3. (Figure 23) Dévisser les boulons (3) de chaque côté du panneau ventral (2).
4. Retirer le panneau ventral (2).
5. (Figure 15) Graisser les chaînes (5) à l'aide d'un lubrifiant pour chaînes.

6. Frotter l'arbre hexagonal et les pignons (6) avec de l'huile moteur 5W30.

**REMARQUE : Si de la graisse ou de l'huile entre en contact avec le plateau d'entraînement du disque (1) ou le disque de friction (3), des dommages peuvent en résulter. Éliminer toute trace d'huile ou de graisse à l'aide d'un solvant à base d'alcool.**

7. (Figure 23) Monter le panneau ventral (2).
8. Resserrer les boulons (3) de chaque côté du panneau ventral (2).

### Pièces à ne pas lubrifier (Figure 15)

1. Ne pas graisser l'arbre hexagonal et le pignon (6). Toutes les bagues et les roulements sont lubrifiés à vie. Pour le remisage, verser une légère quantité d'huile moteur 5W-30 sur un chiffon et essuyer l'arbre hexagonal et le pignon (6) afin d'éviter la rouille.
2. Si la graisse entre en contact avec le disque de friction de caoutchouc (3) ou le plateau d'entraînement du disque (1), le disque de friction de caoutchouc (3) peut être endommagé. Veiller à bien nettoyer le disque de friction de caoutchouc (3) et le plateau d'entraînement du disque (1).  
**PRUDENCE : Tout huilage ou graissage des composants mentionnés ci-dessus peut atteindre le disque de friction de caoutchouc (3). Si le disque de friction de caoutchouc (3) ou le plateau d'entraînement du disque (1) sont souillés de graisse ou d'huile, le disque de friction en sera endommagé.**
3. La boîte de vitesse de la fraise a été lubrifiée lors de la fabrication et ne requiert pas de graissage supplémentaire. Si pour quelque raison le lubrifiant de la boîte se met à fuir, faites vérifier la boîte par un centre de maintenance agréé.

### Réglage de la hauteur des patins (Figure 1)

Ce chasse-neige est équipé de deux patins de réglage de hauteur (7). Ces patins servent à élever l'avant du chasse-neige. Sur surfaces dures normales telles que les voies de garage et les trottoirs, régler les patins comme suit.

1. Placer le chasse-neige sur une surface plane.
2. Veiller à ce que les deux pneumatiques soient de pression égale. La pression correcte s'échelonne de 1 BAR (14 PSI) à 1,25 BAR (17 PSI). Ne pas excéder la pression maximale indiquée sur le flanc du pneumatique.
3. Placer les boulons de cisaillement supplémentaires (fournis dans le sac de pièces) au-dessous de chaque bout du bord d'attaque (15) attendant aux patins de réglage (7).
4. Dévisser les écrous de montage (16) maintenant les patins de réglage (7). Pour abaisser l'avant du chasse-neige, lever chacun des patins de réglage (7). Resserrer les écrous de montage (16).

**REMARQUE : Sur surfaces graveleuses ou inégales, lever l'avant du chasse-neige en abaissant les patins de réglage (7).**



**AVERTISSEMENT : Toujours maintenir une garde au sol appropriée en fonction de la surface de travail. Des objets comme du gravier, des pierres et d'autres débris peuvent être pris par l'impulseur et projetés avec une force suffisante pour provoquer des blessures ou des dégâts sur le chasse-neige.**

### Réglage du bord d'attaque (Figure 1)

Après une longue utilisation, le bord d'attaque (15) s'use. Le bord d'attaque (15) et les patins doivent toujours être réglés pour placer le bord d'attaque (15) à 3 mm (1/8 pouce) au-dessus de la surface à déneiger.

1. Placer le chasse-neige sur une surface plane.
2. Veiller à ce que les deux pneumatiques soient de pression égale. La pression correcte s'échelonne de 1 BAR (14 PSI) à 1,25 BAR (17 PSI). Ne pas excéder la pression maximale indiquée sur le flanc du pneumatique.
3. Desserrer les boulons et les écrous fixant le bord d'attaque (15) au carter de la fraise (4).
4. Régler le bord d'attaque (15) de façon à placer le bord d'attaque (15) à 3 mm (1/8 pouce) au-dessus de la surface à déneiger.
5. Resserrer les boulons et les écrous en s'assurant que le bord d'attaque (15) est parallèle au trottoir ou à la surface à déneiger.
6. Pour en prolonger l'utilisation du bord d'attaque (15), démonter le bord d'attaque (15) et inverser le sens de montage.

### Vérification et réglage des câbles

Le câble d'entraînement des roues et le câble d'entraînement de la fraise hélicoïdale sont réglés dans l'usine de fabrication. En usage normal, un câble peut se détendre et doit être vérifié et réglé comme suit.

### Vérification des câbles (Figure 16)

1. Pour vérifier le réglage, détacher le crochet en « Z » du levier d'entraînement (2).
2. Pousser le levier d'entraînement (2) complètement vers l'avant jusqu'à ce que le levier d'entraînement (2) entre en contact avec la butée en plastique (3).
3. Le câble de commande est correctement réglé si le crochet en « Z » (1) est aligné (4) avec le trou du levier d'entraînement (2) et que le câble ne présente pas d'affaissement.

### Réglage du câble d'entraînement de la fraise

1. Vider l'essence du réservoir. Mettre le chasse-neige debout sur l'avant du carter de la fraise.



**AVERTISSEMENT : Vider l'essence à l'extérieur et à l'écart de toute source de flammes ou de feu.**

2. (Figure 16) Détacher le crochet en « Z » (1) du levier d'entraînement (2).
3. (Figure 17) Relever le couvercle du ressort de façon à exposer le ressort (5). Pousser le câble (6) dans le ressort (5) pour exposer l'extrémité carrée (7) du câble (6).

4. Tenir l'extrémité carrée (7) avec des pinces et tourner l'écrou (8) dans un sens ou dans l'autre jusqu'à ce que l'affaissement du câble disparaisse.
5. Tirer le câble (6) dans le ressort (5) et le remonter.
6. (Figure 16) Rattacher le crochet en « Z » (1) au levier d'entraînement (2).

**REMARQUE : Lors du réglage ou du remplacement de la courroie d'entraînement de la fraise hélicoïdale, vérifier et régler le câble.**

### Réglage du câble d'entraînement

1. Retirer le carburant du réservoir d'essence. Positionner le chasse-neige debout sur la face avant du carter de la fraise.



**AVERTISSEMENT : Vider l'essence à l'extérieur, à l'écart de toute source de flammes ou de feu.**

2. (Figure 23) Desserrer les boulons (3) sur chaque côté du panneau ventral (2).
3. Retirer le panneau ventral (2).
4. (Figure 16) Détacher le crochet en « Z » (1) du levier d'entraînement de la fraise (2).
5. (Figure 28) Faire glisser la gaine du câble (3) de l'attache de réglage du câble (4).
6. Enfoncer la base du câble de commande de la fraise (5) dans l'attache de réglage du câble (4) jusqu'à ce que le crochet en « Z » (6) puisse être enlevé.
7. Retirer le crochet en « Z » (6) de l'attache de réglage du câble (4). Placer le crochet en « Z » (6) dans le trou de réglage situé immédiatement au-dessous.
8. Tirer le câble de commande de la fraise (5) vers le haut au travers de l'attache de réglage du câble (4).
9. Replacer la gaine du câble (3) sur l'attache de réglage du câble (4).
10. (Figure 16) Accrocher le crochet en « Z » (1) au levier d'entraînement de la fraise (2).
11. (Figure 15) Pour vérifier le réglage, abaisser le levier d'entraînement et vérifier la longueur « A » du ressort du câble d'entraînement (7). Lorsque le réglage est correct, la longueur « A » du ressort du câble d'entraînement (7) doit être la suivante :  
minimum 76 mm (3 pouces)  
maximum 85 mm (3 pouces et 3/8).
12. (Figure 23) Remonter le panneau ventral (2).
13. Serrer les boulons (3) sur chaque côté du panneau ventral (2).

### Réglage des courroies

Les courroies s'étirent en usage normal. Si des réglages deviennent nécessaires en raison de l'usure ou de l'étirement, procéder comme suit.

### Réglage de la courroie d'entraînement de la fraise hélicoïdale

Si le chasse-neige n'éjecte pas la neige, vérifier le réglage du câble d'entraînement de la fraise. Voir « Vérification et réglage des câbles » dans la section Entretien. Si le réglage est correct, vérifier l'état de la courroie d'entraînement de la fraise. Si celle-ci est endommagée ou lâche, la remplacer. Voir « Remplacement des courroies » dans la section Entretien. Si la courroie est détendue, la régler comme suit.

- Débrancher le fil de la bougie d'allumage.
- (Figure 18) Retirer la vis (2) du carter de la courroie (1). Retirer la carter de la courroie (1).
- (Figure 19) Desserrer l'écrou (2) sur la poulie libre (3) et pousser la poulie libre (3) vers la courroie d'entraînement de la fraise (4) d'environ 3 mm (1/8 pouce).
- Resserrer les écrous (2).
- (Figure 22) Débrayer le levier d'entraînement de la fraise. Vérifier la tension de la courroie d'entraînement de la fraise (4). La courroie de la fraise (4) doit normalement fléchir d'environ 12,5 mm (1/2 pouce) (5) sous une pression moyenne. Si la tension n'est pas appropriée, répéter l'opération de réglage.
- (Figure 18) Remonter le couvercle de la courroie (1). Resserrer la vis (2).
- Vérifier le réglage du câble d'entraînement de la fraise. Voir « Vérification et réglage des câbles » dans la section Entretien de ce manuel.
- Rebrancher le fil de la bougie.

### Courroie d'entraînement des roues

La courroie d'entraînement des roues est soumise à la pression constante d'un ressort et n'exige aucun réglage. Si la courroie d'entraînement des roues patine, remplacer la courroie. Voir « Remplacement des courroies » dans la section Entretien de ce manuel.

### Remplacement des courroies

Les courroies d'entraînement sont de construction adaptée et doivent être remplacées par des courroies d'origine disponibles dans votre centre de maintenance agréé le plus proche.

Certaines étapes requièrent l'assistance d'une seconde personne.

### Démontage de la courroie d'entraînement de la fraise hélicoïdale

Si la courroie d'entraînement de la fraise est endommagée, le chasse-neige ne déverse pas de neige. Remplacer la courroie endommagée comme suit.

- Débrancher le fil de la bougie.
- (Figure 23) Desserrer les boulons (3) sur chaque côté du panneau ventral (2).
- Retirer le panneau ventral (2).
- (Figure 18) Retirer la vis (2) du carter de la courroie (1). Déposer le carter de la courroie (1).
- (Figure 19) Desserrer le guide de courroie (9). Écarter le guide de courroie (9) de la poulie d'entraînement de la fraise (10).
- Séparer la poulie libre (3) de la courroie d'entraînement de la fraise (4) et faire glisser la courroie d'entraînement de la fraise (4) de la poulie libre (3).
- Enlever la courroie d'entraînement de la fraise (4) de la poulie du moteur (11). Afin d'enlever la courroie d'entraînement de la fraise (4), on devra peut-être être partiellement faire pivoter la poulie du moteur (11).

- (Figure 20) Enlever les quatre boulons (21) du haut qui maintiennent le carter des lames (22) et boîtier moteur (23). Dévisser les deux boulons (24) du bas. Le carter des lames (22) et le boîtier moteur (23) peuvent maintenant être démontés pour enlever la courroie.
- (Figure 19) Enlever la vieille courroie d'entraînement de la fraise (4) de la poulie d'entraînement de la fraise (10). Remplacer la courroie d'entraînement de la fraise (4) par une courroie de rechange provenant de l'usine et disponible dans un centre de réparation agréé.
- Installer la nouvelle courroie d'entraînement de la fraise (4) sur la poulie d'entraînement de la fraise (10).
- Remonter le carter des lames (22) sur le boîtier moteur (23) avec les quatre boulons (21) qui ont été enlevés dans l'étape 8. Bien serrer les deux boulons du bas (24).
- Installer la courroie d'entraînement de la fraise (4) sur la courroie du moteur (11).
- Faire glisser la courroie d'entraînement de la fraise (4) sous la courroie libre (3).
- Régler la courroie d'entraînement de la fraise (4). Voir « Réglage de la courroie d'entraînement de la fraise » dans la section Entretien.
- Régler le guide de courroie (9). Voir « Réglage du guide de courroie » dans la section Entretien.
- (Figure 18) Monter le carter de courroie (1). Serrer la vis (2).
- Vérifier le réglage des câbles. Voir « Vérification du réglage des câbles » dans la section Entretien.
- Rebrancher le fil de la bougie.

### Démontage de la courroie d'entraînement des roues.

Si le chasse-neige n'avance pas, vérifier la courroie d'entraînement des roues pour détecter tout dommage ou toute usure. Si celle-ci est endommagée ou usée, la remplacer comme suit.

- Débrancher le fil de la bougie.
- Retirer la courroie d'entraînement de la fraise. Voir « Démontage de la courroie d'entraînement de la fraise » dans la section Entretien.
- (Figure 19) Retirer la bague de retenue (17) de l'une des extrémités de la biellette d'axe de la plaque de roulement (18). Retirer la biellette d'axe de la plaque de roulement (18) pour permettre à la plaque de roulement de tourner en avant.
- Retirer le ressort du câble de traction (16).
- Dégager la courroie d'entraînement des roues (13) de la poulie d'entraînement des roues (14) et de la poulie motrice (15). Remplacer la courroie d'entraînement des roues (13) par une courroie d'origine disponible dans votre centre de maintenance agréé le plus proche.
- Monter la nouvelle courroie d'entraînement des roues (13) sur la poulie d'entraînement des roues (14) et sur la poulie motrice (15).
- Veiller à ce que la poulie libre d'entraînement des roues (12) soit correctement alignée avec la courroie d'entraînement des roues (13).

- Attacher le ressort du câble de traction (16).
  - Monter la biellette d'axe de la plaque de roulement (18) et la verrouiller à l'aide de la bague de retenue (17) enlevée auparavant.
  - (Figure 31) La base de la plaque de roulement (20) doit être positionnée entre les encoches d'alignement (19). S'assurer que la plaque de roulement (20) est correctement fixée.
- REMARQUE :** Si l'entraînement des roues ne fonctionne pas à la suite du remplacement de la courroie d'entraînement, vérifier que la plaque de roulement est bien positionnée entre les encoches d'alignement (19).
- (Figure 19) Monter et régler la courroie d'entraînement de la fraise (4). Voir « Démontage de la courroie d'entraînement de la fraise » dans la section Entretien.
  - Régler le guide de courroie (9). Voir « Réglage du guide de courroie » dans la section Entretien.
  - (Figure 23) Remonter le panneau ventral (2).
  - Serrer les boulons (3) sur chaque côté du panneau ventral (2).
  - (Figure 18) Monter le carter de courroie (1). Serrer la vis (2).
  - Vérifier le réglage des câbles. Voir « Vérification du réglage des câbles » dans la section Entretien.
  - Brancher le fil de la bougie.

### Réglage du guide de courroie

- Débrancher le fil de la bougie.
- (Figure 18) Retirer la vis (2). Déposer le carter de la courroie (1).
- (Figure 1) Embrayer le levier d'entraînement de la fraise (5).
- (Figure 24) Mesurer la distance entre le guide de courroie (2) et la courroie d'entraînement de la fraise (3). La distance correcte (4) doit être de 3 mm (1/8 pouce).
- Si un réglage est nécessaire, desserrer les boulons de montage du guide de courroie (2) et placer le guide de courroie (2) en position correcte (4). Resserrer ensuite les boulons du guide de courroie (2).
- (Figure 18) Monter le carter de courroie (1). Serrer la vis (2).
- Rebrancher le fil de la bougie.

### Réglage ou remplacement du disque de friction

#### Vérification du disque de friction

Si le chasse-neige n'avance pas, vérifier la courroie d'entraînement des roues, le câble d'entraînement des roues, ou le disque de friction. Si le disque de friction est endommagé ou usé, il faut le remplacer. Voir « Remplacement du disque de friction » dans cette section. Si le disque de friction n'est pas endommagé ni usé, le vérifier comme suit.

- (Figure 1) Vider l'essence du réservoir. Mettre le chasse-neige debout sur l'avant du carter de la fraise (4).



**AVERTISSEMENT :** Vider l'essence à l'extérieur et à l'écart de toute source de flammes ou de feu.

- Débrancher le fil de la bougie.

3. (Figure 23) Desserrer les **boulons (3)** de chaque côté du **panneau ventral (2)**.
4. Retirer le **panneau ventral (2)**.
5. (Figure 1) Mettre la **manette d'accélération (6)** à la vitesse la plus basse.
6. (Figure 25) Noter la position de la **roue de friction (4)**. La **distance « A »** correcte entre le côté droit de la **roue de friction (4)** et l'extérieur du carter du moteur est la suivante :
 

Taille du pneu	Distance « A »
12 et 13 pouces	10,5 cm (4-1/8")
16 pouces	10,95 cm (4-5/16")

 Si la **roue de friction (4)** n'est pas en position correcte, effectuer le réglage décrit ci-dessous.

#### Réglage du disque de friction

1. (Figure 1) Positionner le **levier de vitesse (6)** sur la plus basse vitesse de la marche avant.
2. (Figure 9) Desserrer les **boulons (1)** de la **tringle du sélecteur de vitesse (8)**.
3. (Figure 25) Placer la **roue de friction (4)** en position correcte.
4. (Figure 9) Revisser les **boulons (1)** de la **tringle du sélecteur de vitesse (8)**.
5. (Figure 23) Remonter le **panneau ventral (2)**.
6. Serrer les **boulons (3)** de chaque côté du **panneau ventral (2)**.

#### Remplacement du disque de friction

Le chasse-neige n'avance pas si le disque de friction est usé ou endommagé. Le disque de friction doit être remplacé comme suit.

1. (Figure 1) Vider l'essence du réservoir. Mettre le chasse-neige debout sur l'avant du **carter de la fraise (4)**.



**AVERTISSEMENT : Vider l'essence à l'extérieur, à l'écart de toute source de flammes ou de feu.**

2. Débrancher le fil de la bougie.
3. (Figure 29) Retirer toutes les fixations attachant la **roue gauche (10)**. Enlever la **roue gauche (10)** de l'**axe (11)**.
4. Desserrer les **boulons (3)** de chaque côté du **panneau ventral (2)**.
5. Retirer le **panneau ventral (2)**.
6. (Figure 30) Retirer toutes les fixations attachant le **pignon d'entraînement (12)** à l'**axe (11)**.
7. Retirer la roue droite, l'**axe (11)**, et le **pignon d'entraînement (12)**.
8. (Figure 31) Retirer les quatre **boulons (16)** maintenant les **roulements (7)** de chaque côté de l'**arbre hexagonal (8)**.
9. (Figure 32) Retirer l'**arbre hexagonal (8)** et les **roulements (7)**.  
**REMARQUE : Bien se rappeler de la position des rondelles (17).**
10. (Figure 27) Retirer les trois **fixations (4)** attachant le **disque de friction (5)** au **moyeu (6)**.
11. (Figure 27) Retirer le **disque de friction (5)** du **moyeu (6)**. Faire glisser le **disque de friction (5)** de l'**arbre hexagonal (8)**.

12. Monter le nouveau **disque de friction (5)** sur le **moyeu (6)** à l'aide des fixations retirées plus tôt.
13. (Figure 32) Installer l'**arbre hexagonal (8)** et les **roulements (7)** à l'aide des quatre boulons enlevés auparavant.  
**Veiller à ce que les rondelles (17) soient correctement installées dans leur position d'origine. Veuillez également vous assurer que les deux rondelles (13) sont correctement alignées avec les bras de commande (14).**
14. Veiller à ce que l'**arbre hexagonal (8)** puisse tourner librement.
15. (Figure 30) Installer la roue droite, l'**axe (11)**, et le **pignon d'entraînement (12)** à l'aide des fixations retirées auparavant. Installer la **chaîne (15)** sur le **pignon d'entraînement (12)**.
16. Vérifier le réglage du disque de friction. Voir « Réglage du disque de friction » dans cette section.
17. Veiller à ce que le disque de friction et le plateau d'entraînement du disque soient dépourvus d'huile ou de graisse.
18. (Figure 23) Remonter le **panneau ventral (2)**.
19. Resserrer les **boulons (3)** de chaque côté du **panneau ventral (2)**.
20. Monter la **roue gauche (10)** sur l'**essieu (11)** à l'aide des fixations retirées plus tôt.
21. Rebrancher le fil de la bougie.

#### Remplacement du boulon de cisaillement de la fraise hélicoïdale

Les fraises hélicoïdales sont fixées à l'arbre par des boulons de cisaillement spéciaux qui sont prévus pour casser si un objet se coince dans le carter de la fraise. Ne pas utiliser un boulon plus dur car ceci supprimera la protection du boulon de cisaillement.



**AVERTISSEMENT : Pour garantir la sécurité et la protection de la machine, seuls des boulons de cisaillement de rechange d'origine doivent être utilisés.**

Pour remplacer un boulon de cisaillement cassé, procéder comme suit. Des boulons de cisaillement de rechange sont fournis dans le sac de pièces pour le montage.

1. (Figure 1) Placer la **interrupteur de sécurité (13)** à la position d'arrêt. Débrayer toutes les commandes.
2. Débrancher le fil de la bougie et s'assurer que toutes les pièces sont arrêtées.
3. (Figure 14) Si le chasse-neige en est équipé, graisser les **embouts graisseurs Zerk (1)** de l'arbre de la fraise à l'aide d'un pistolet graisseur.
4. (Figure 26) Aligner le trou de la fraise avec le trou de son arbre. Monter le **boulon de cisaillement neuf (2)**, l'**entretoise (3)** et l'**écrou de blocage (4)**.
5. Rebrancher le fil de la bougie.

#### Préparation du chasse-neige pour le remisage



**AVERTISSEMENT : Ne pas retirer l'essence à l'intérieur d'un bâtiment, près d'un feu, ou en fumant une cigarette. Les gaz émis par l'essence peuvent provoquer une explosion ou un incendie.**

Si la déneigeuse doit être entreposée pendant une période prolongée, se référer au manuel de fonctionnement du fabricant du moteur (inclus avec certains modèles) pour obtenir d'importants détails d'entretien ou d'entreposage.

1. Vider le réservoir d'essence.
2. Faire tourner le moteur jusqu'à ce qu'il tombe en panne sèche.
3. Ne jamais entreposer la déneigeuse avec de l'essence dans le réservoir à l'intérieur d'un bâtiment où des sources d'allumage sont présentes, telles qu'un chauffe-eau ou un radiateur, un séchoir à linge, et autres types d'appareils similaires. Laisser le moteur refroidir avant l'entreposage dans un espace clos.
4. Vidanger l'huile du moteur encore chaud. Remplir le bloc-cylindre d'huile neuve.
5. Nettoyer complètement le chasse-neige.
6. Graisser tous les points de graissage (voir la section Entretien).
7. S'assurer que tous les écrous, boulons et vis sont fermement serrés. Vérifier toutes les pièces mobiles pour déceler les indices de dégâts et d'usure. Remplacer les pièces au besoin.
8. Couvrir les pièces de métal du carter de la fraise hélicoïdale et de l'impulseur d'un produit antirouille.
9. Placer la machine dans un bâtiment bien ventilé. Remiser dans un local propre et sec et à l'écart de tout poêle, chauffe-eau ou de toute chaudière comportant une veilleuse ou tout dispositif produisant des étincelles.
10. Si la machine doit être remise à l'extérieur, la monter sur des cales pour qu'elle ne repose pas au sol.
11. Couvrir ensuite le chasse-neige à l'aide d'une bâche épaisse ne retenant pas l'humidité. Ne pas utiliser une bâche de matière plastique.

**Commande de pièces détachées**

Le remplacement de pièces détachées est montré soit au dos de ce manuel, soit dans un manuel séparé de pièces de rechange.

N'utiliser que des pièces de rechange autorisées ou approuvées par le fabricant. Ne pas utiliser d'accessoires n'ayant pas été spécifiquement recommandé pour cette machine. Afin d'obtenir les pièces de rechange adéquates, il est

impératif de fournir le numéro du modèle (voir la plaque signalétique).

Pour obtenir des pièces de rechange, contacter le détaillant local.

Le remplacement des pièces comme le moteur, les transmissions, la boîte-pont ou le différentiel, sont disponibles depuis un service autorisé par le fabricant, dont l'adresse peut être trouvée dans les Pages jaunes. Par ailleurs, vous

pouvez vous appuyer sur les garanties s'appliquant au moteur ou aux transmissions pour commander les pièces de rechange.

Lors de la commande, vous devrez fournir les informations suivantes :

- (1) Le numéro du modèle
- (2) Le numéro de série
- (3) Le numéro de la pièce
- (4) La quantité

**TABLEAU DE DEPANNAGE**

PANNE	CAUSE	REPARATION
<b>Démarrage difficile</b>	Bougie défective.	Remplacer la bougie.
	Eau ou impuretés dans le système de distribution du carburant.	Utiliser le drain de carburateur pour évacuer les impuretés et remplir avec de l'essence neuve.
<b>Le moteur tourne de manière irrégulière</b>	Conduit de carburant bouché, réservoir d'essence vide, ou essence périmée.	Nettoyer le conduit de carburant ; vérifier l'arrivée du carburant ; ajouter de l'essence neuve.
<b>Le moteur cale</b>	Machine fonctionnant avec le STARTER ouvert.	Mettre le levier de starter en position de MARCHE.
<b>Le moteur tourne de manière irrégulière; Perte de puissance</b>	Eau ou impuretés dans le système de distribution du carburant.	Utiliser le drain de carburateur pour évacuer les impuretés et remplir avec de l'essence neuve.
<b>Vibration excessive</b>	Pièces dévissées : impulseur endommagé.	Arrêter le moteur immédiatement et débrancher la bougie. Serrer tous les boulons et effectuer les réparations nécessaires. Si la vibration persiste, porter la machine à une personne qualifiée pour la réparer.
<b>La machine ne se propulse pas automatiquement</b>	Courroie d'entraînement lâche ou endommagée.	Remplacer la courroie d'entraînement.
	Réglage incorrecte du câble d'entraînement des roues.	Régler le câble d'entraînement des roues.
	Disque de friction usagé ou endommagé.	Remplacer le disque de friction.
<b>La machine n'éjecte pas de neige</b>	Courroie d'entraînement de la fraise lâche ou endommagée.	Régler la courroie d'entraînement de la fraise ; la remplacer si elle est endommagée.
	Câble de commande de la fraise non réglé correctement.	Régler le câble de commande de la fraise.
	Boulon de cisaillement cassé.	Remplacer le boulon de cisaillement.
	Déversoir bouché.	Arrêter immédiatement le moteur et débrancher le cordon de la bougie. Nettoyer le déversoir et l'intérieur du carter de la fraise.
	Corps étranger coincé dans la fraise.	Arrêter immédiatement le moteur et débrancher le cordon de la bougie. Retirer le corps étranger coincé dans la fraise.

# BRIGGS & STRATTON POWER PRODUCTS GROUP, L.L.C. POLITIQUE DE GARANTIE DU PROPRIÉTAIRE

En vigueur à compter du 1er janvier 2008, remplace toutes les garanties non datées et toutes les garanties datées avant le 1er janvier 2008

## GARANTIE LIMITÉE

Briggs & Stratton Power Products Group, LLC réparera ou remplacera, gratuitement, toute pièce du produit ayant un vice de matériau ou de fabrication, ou les deux. Les frais de transport du produit soumis pour réparation ou remplacement sous la présente garantie sont à la charge de l'acheteur. La présente garantie est en vigueur pour les durées et sous réserve des conditions énoncées ci-dessous. Pour tout service couvert par la garantie, trouver le concessionnaire de service agréé le plus proche dans notre carte de localisation des concessionnaires à [www.murray.com](http://www.murray.com).

IL N'EXISTE AUCUNE AUTRE GARANTIE EXPRESSE. LES GARANTIES IMPLICITES, Y COMPRIS LES GARANTIES DE COMMERCIALITÉ ET D'ADAPTATION À UN USAGE PARTICULIER, SONT LIMITÉES À UNE DURÉE D'UN AN À COMPTER DE LA DATE DE L'ACHAT, OU DANS LES LIMITES PRÉVUES PAR LA LOI. TOUTE LES GARANTIES IMPLICITES SONT EXCLUES. LES RESPONSABILITÉS DE DOMMAGES ACCESSOIRES OU CONSÉCUTIFS SONT EXCLUES DANS LA MESURE OU L'EXCLUSION EST AUTORISÉE PAR LA LOI. Certains États ou pays ne permettant pas de limitations sur la durée d'une garantie implicite, et certains États ou pays ne permettant pas l'exclusion ou la limitation des dommages accessoires ou consécutifs, il se peut que les limitations et exclusions ci-dessus ne s'adressent pas à vous. La présente garantie vous offre des droits légaux spécifiques et il se peut que vous ayez d'autres droits qui varient d'une juridiction à une autre.

## MODALITÉS DE GARANTIE

Marque / Unité	Utilisation par le consommateur	Utilisation commerciale
Deux phases déneé	2 ans	90 jours

La durée de garantie commence à compter de la date d'achat par le premier acheteur au détail ou l'utilisateur final commercial, et continue pendant la période énoncée ci-dessus. Par « Usage consommateur », on entend un usage ménager résidentiel personnel par un consommateur au détail. Par « Usage commercial » on entend tous les autres usages, y compris usage à des fins commerciales, profitables ou de location. Une fois qu'un produit a expérimenté l'usage commercial, il sera par la suite considéré comme usage commercial aux fins de la présente garantie.

Aucun enregistrement de garantie n'est nécessaire pour obtenir une garantie sur les produits de marque Murray. Conserver une preuve du reçu d'achat. Si aucune preuve de la date d'achat initial n'est fournie au moment où le service sous garantie est demandé, la date de fabrication du produit servira à déterminer la garantie.

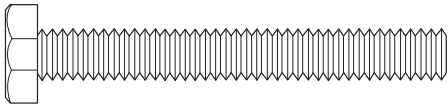
## À PROPOS DE LA GARANTIE

Nous acceptons la réparation sous garantie et nous vous présentons nos excuses pour cet inconvénient. Tout concessionnaire de service agréé peut effectuer les réparations sous garantie. La plupart des réparations sous garantie sont traitées couramment mais, parfois, des demandes de service sous garantie peuvent ne pas être appropriées. Par exemple, un service sous garantie ne s'appliquerait pas à un produit si le dommage était dû à un mauvais usage, un manque d'entretien de routine, l'expédition, la manutention, l'entreposage ou une installation inappropriée. De même, la garantie est nulle si le numéro de série sur le produit a été retiré ou si le produit a été altéré ou modifié.

La présente garantie ne couvre que les vices de matériau et/ou de fabrication associés au produit. Pour éviter tout malentendu susceptible entre le client et le concessionnaire, une liste de certaines causes de défaillances de produit non couvertes par la garantie figure ci-dessous.

- **Usure normale :** Le petit matériel motorisé, tel que tous les dispositifs mécaniques, nécessite des pièces et un service périodiques pour une bonne performance. La garantie ne couvre pas les réparations lorsque l'usure normale a épuisé la durée de vie du produit ou de la pièce.
- **Installation :** La présente garantie ne s'applique pas à un produit qui aura été soumis à une installation, une altération ou une modification inappropriée ou non autorisée. Ni aux installations empêchant un démarrage de performance du moteur non satisfaisant.
- **Entretien inapproprié :** La durée de ce produit dépend des conditions dans lesquelles il opère et de l'entretien qu'il reçoit. Les intervalles d'entretien et de réglage recommandés sont énoncés dans le manuel d'utilisation. Les produits, tels que cultivateurs, coupe-bordure, tondeuses rotatives, étant souvent utilisés dans les conditions poussiéreuses ou sales, peuvent sembler usés prématurément. Ladite usure, quand elle est causée par la saleté, la poussière ou tout autre matériau abrasif pénétrant le produit en raison d'un entretien inapproprié n'est pas couverte par la garantie. La garantie ne couvre pas les réparations causées par des pièces de rechange qui ne sont pas des pièces fabriquées originales.
- **Carburant ou lubrification incorrects et/ou insuffisants :** La présente garantie ne couvre pas les dommages causés par l'utilisation de carburant éventé ou d'essence altérée. Les dommages de moteur ou de composants de moteur, à savoir chambre de combustion, soupapes, sièges de soupapes, guides de soupapes, bobinages de moteur de démarreur grillés, causés par l'utilisation de carburants de remplacement tels que pétrole liquéfié, gaz naturel, ne sont pas couverts à moins que le moteur ne soit certifié pour cette opération. Les pièces qui sont rayées ou cassées parce que le produit a été utilisé avec une qualité d'huile lubrifiante insuffisante, contaminée ou incorrecte ainsi que les composants du produit endommagés par le manque de lubrification, ne sont pas couverts.
- **Mauvais usage opérationnel :** L'utilisation appropriée du produit est énoncée dans le manuel d'utilisation. Produit endommagé par une vitesse excessive, une surchauffe ou une utilisation dans un endroit clos sans ventilation suffisante. Produit cassé par des vibrations excessives causées par un montage de moteur desserré, des lames desserrées ou déséquilibrées, des rotors, une vitesse excessive ou un vilebrequin tordu en raison du heurt d'un objet solide. Les dommages ou mauvais fonctionnements résultant d'accidents, d'abus, d'un entretien inapproprié ou d'un gel ou d'une détérioration physique, ainsi qu'une utilisation dépassant les capacités recommandées telles que soulignées dans le manuel d'utilisation, ne sont pas couverts.
- **Mise au point de routine, articles d'usure ou réglages :** La présente garantie exclut les articles d'usure tels que l'huile, les courroies, les lames, les joints toriques, les filtres, etc.
- **Autres exclusions :** La réparation ou les réglages des pièces non fabriquées par Briggs & Stratton Corporation ne sont pas couverts ; voir la garantie des fabricants respectifs. La présente garantie exclut toutes les défaillances dues à des calamités naturelles et tout autre événement de force majeure indépendant de la volonté du fabricant. Sont également exclus les produits usagés, remis à neuf et de démonstration.

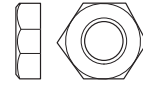
Le service garantie n'est disponible qu'après des centres de service agréés. Trouver le concessionnaire le plus proche dans notre carte de localisation à [www.murray.com](http://www.murray.com).



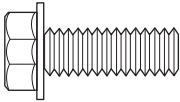
2- 9524



2- 3943



2 - 73826



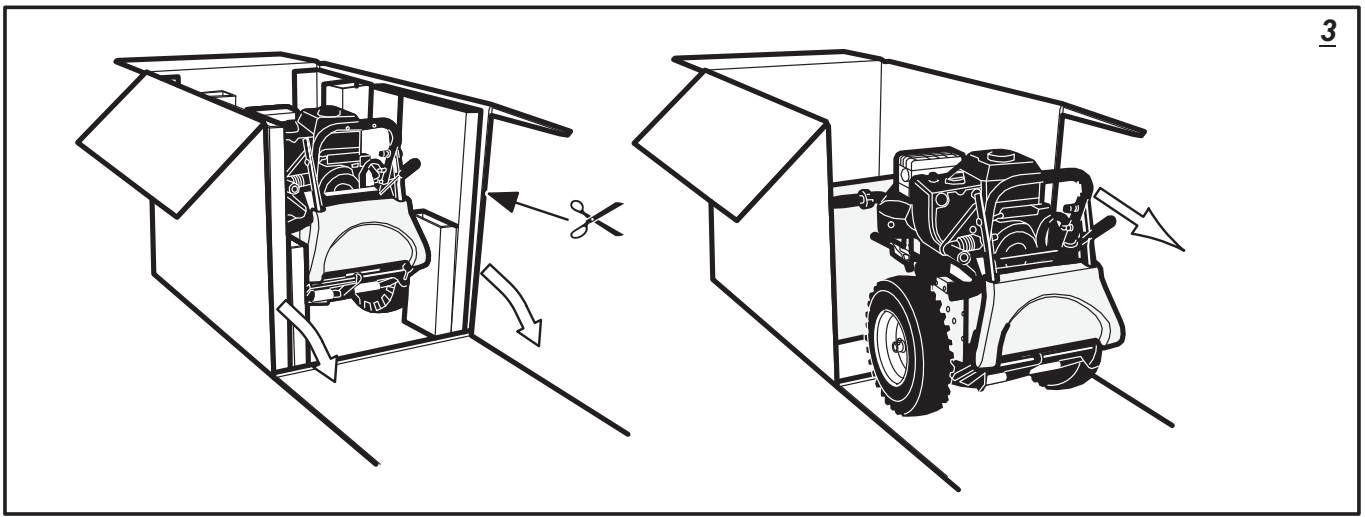
4 - 1935450



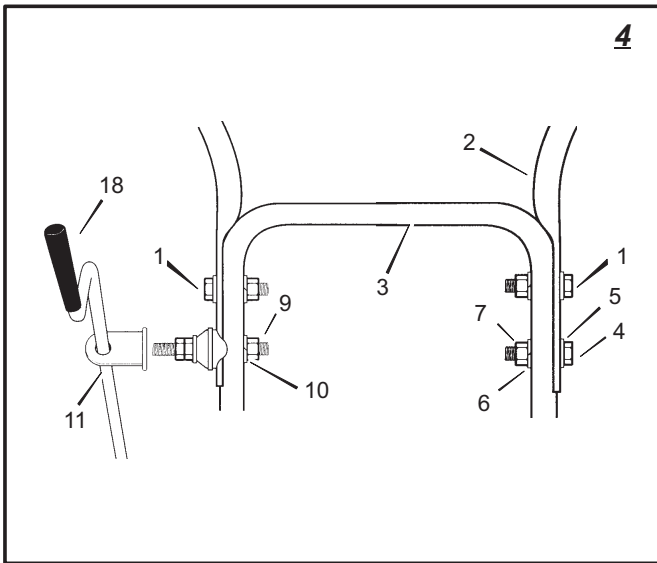
4 - 5025391



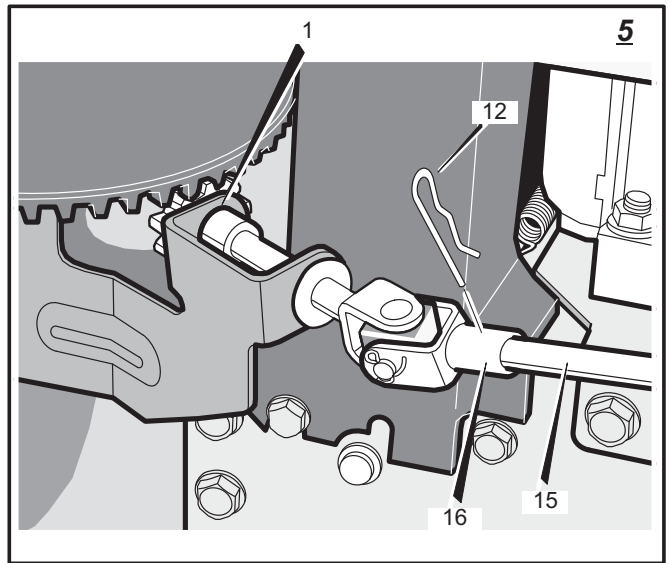
3



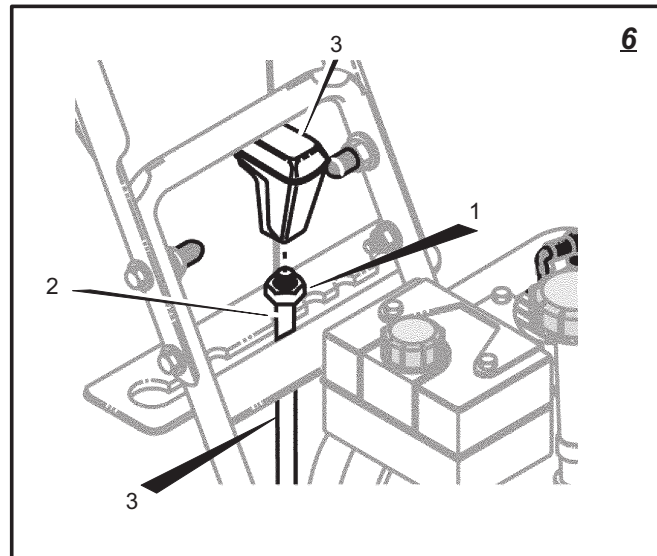
4



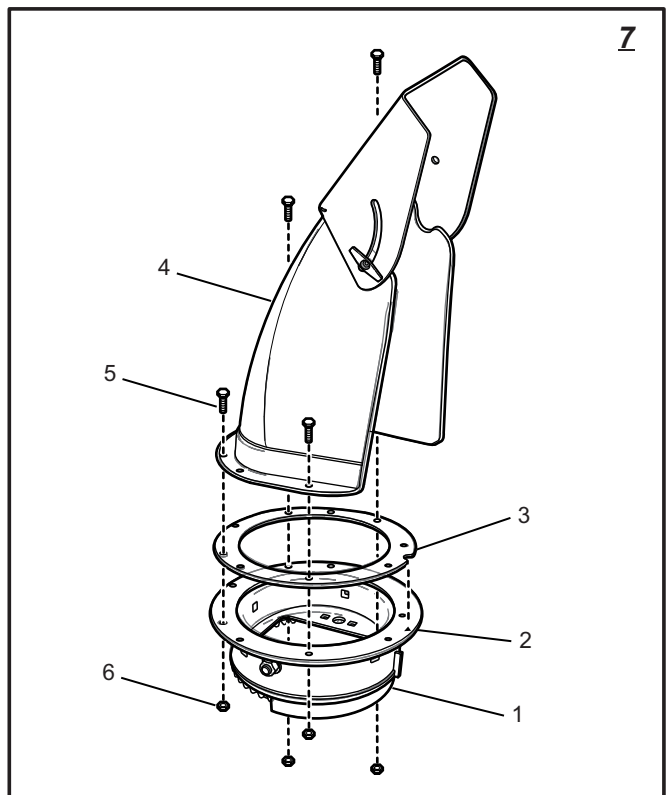
5

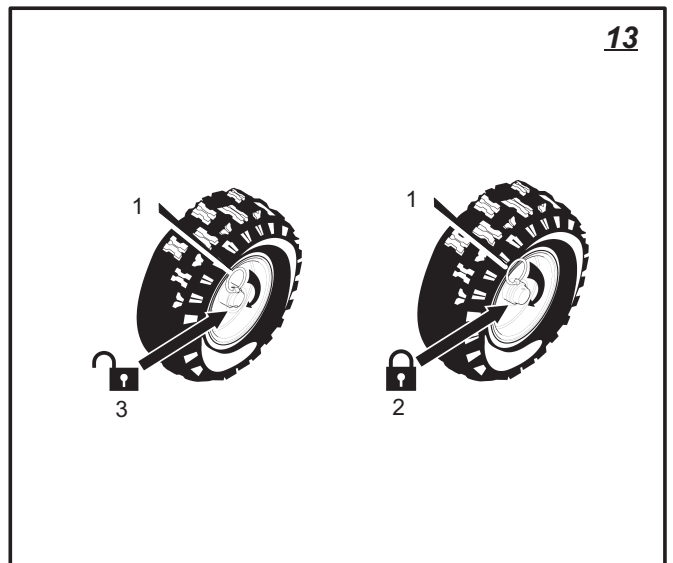
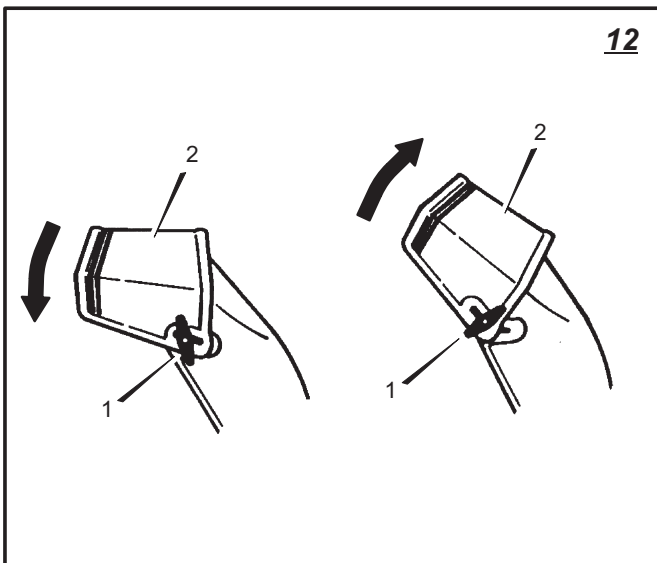
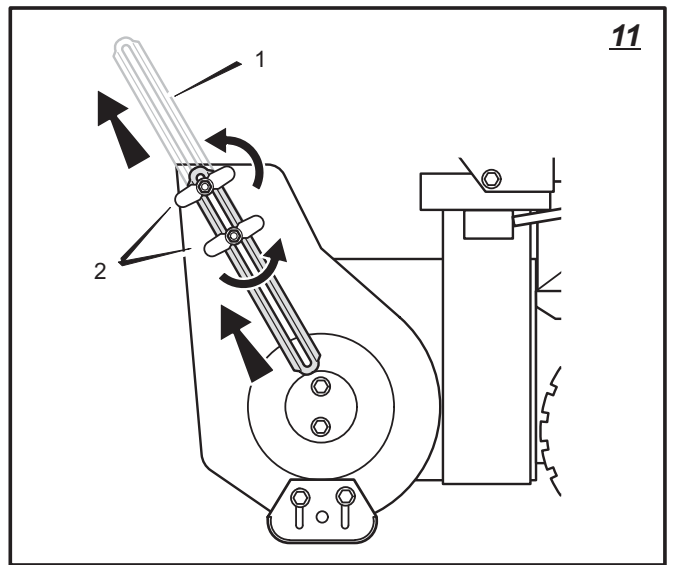
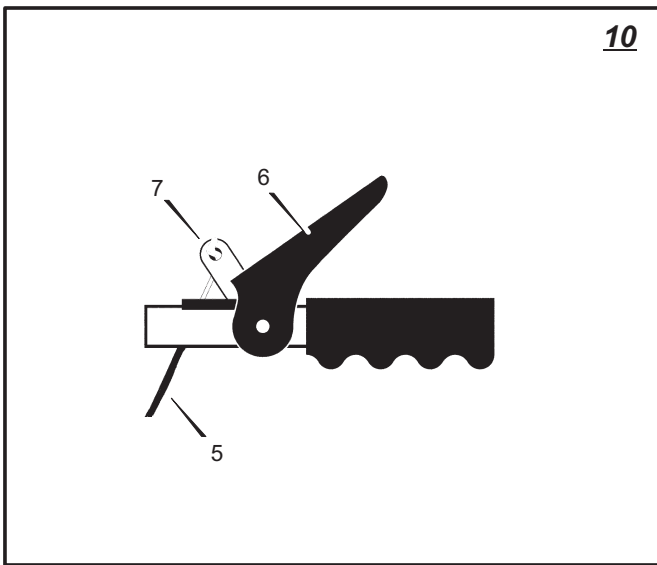
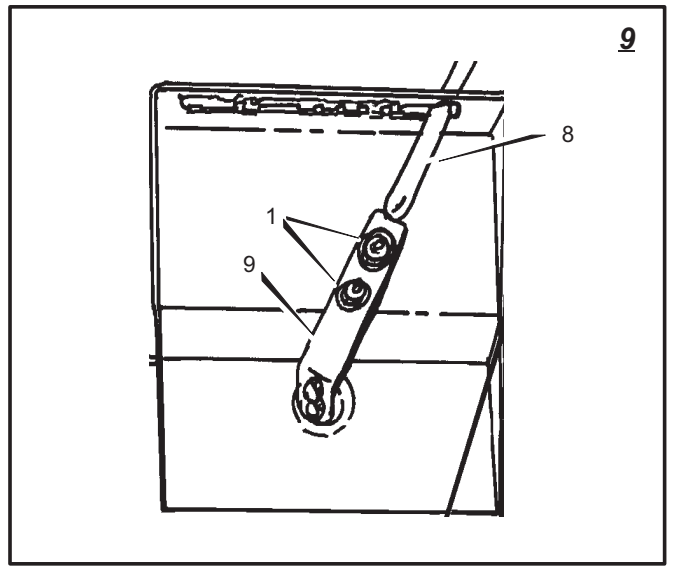
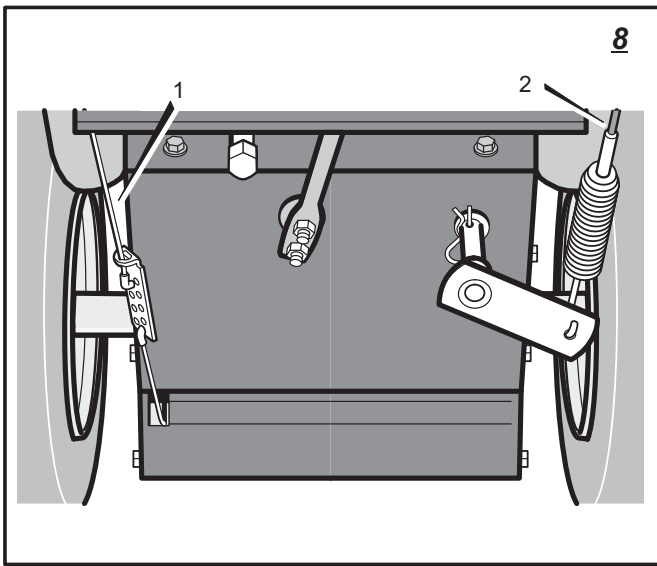


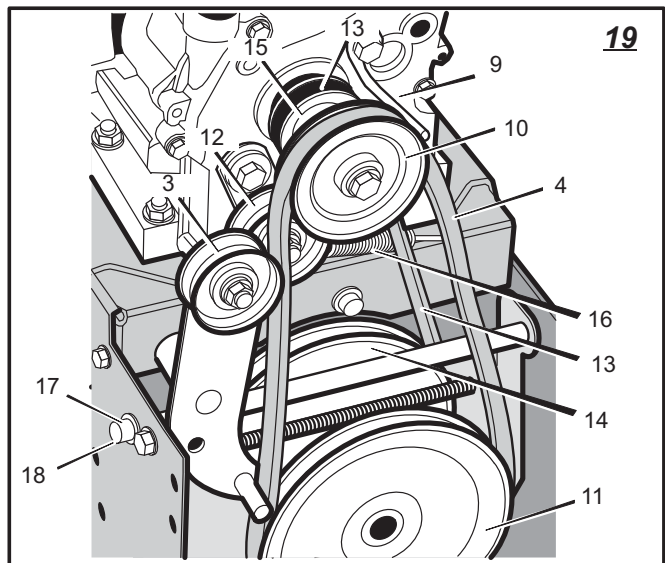
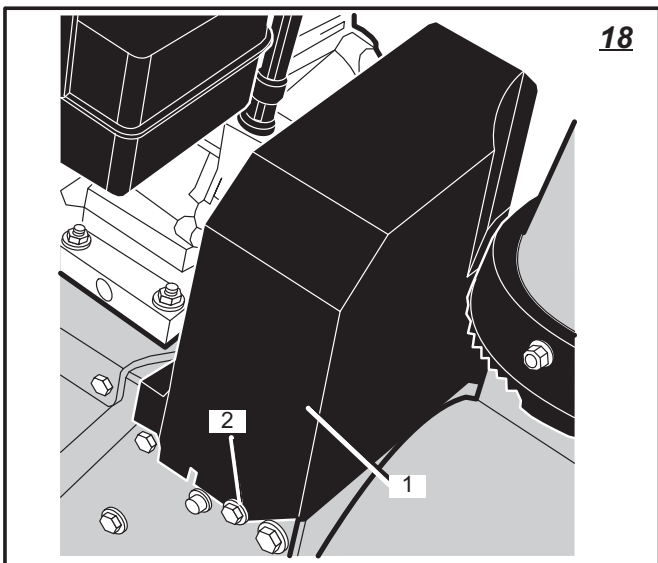
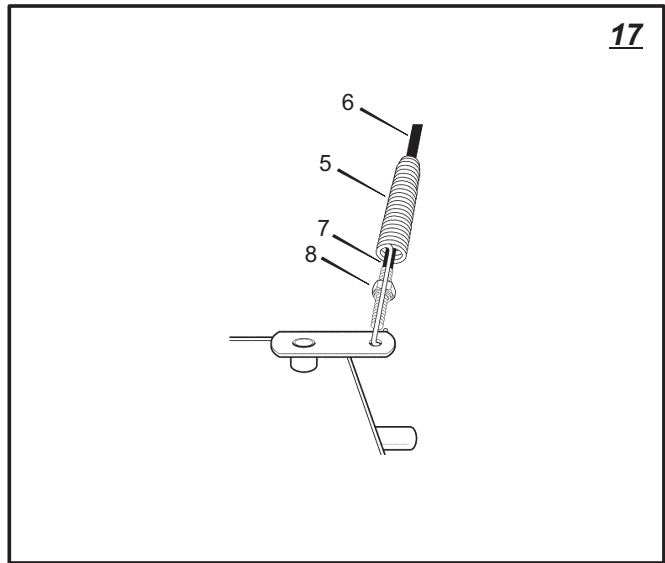
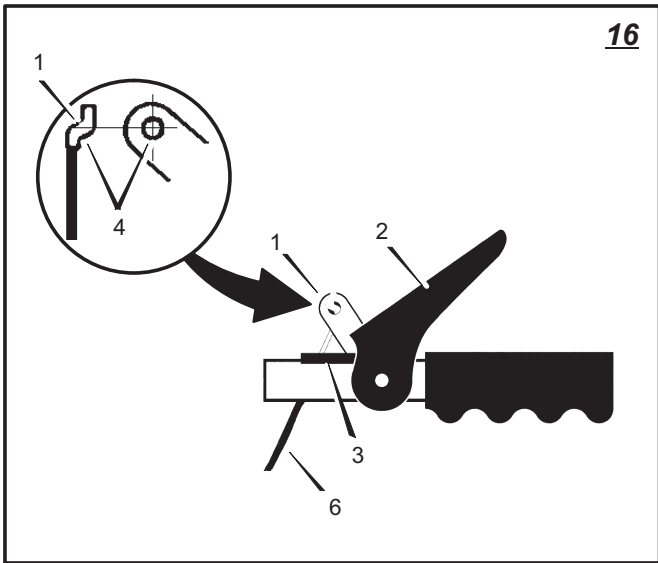
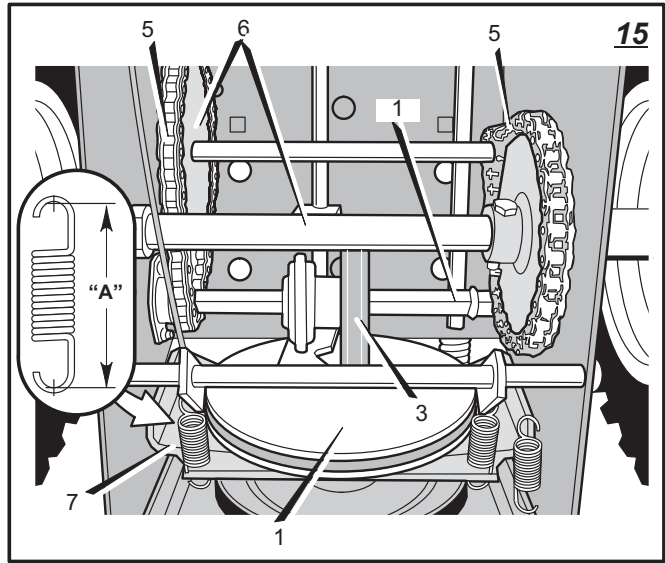
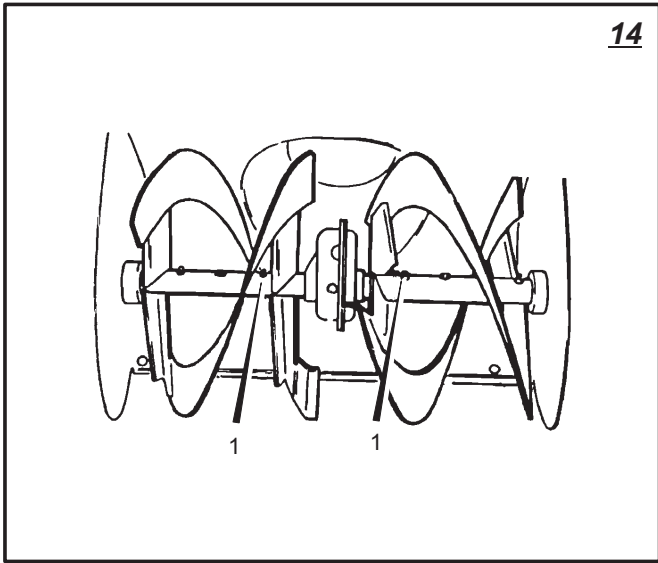
6

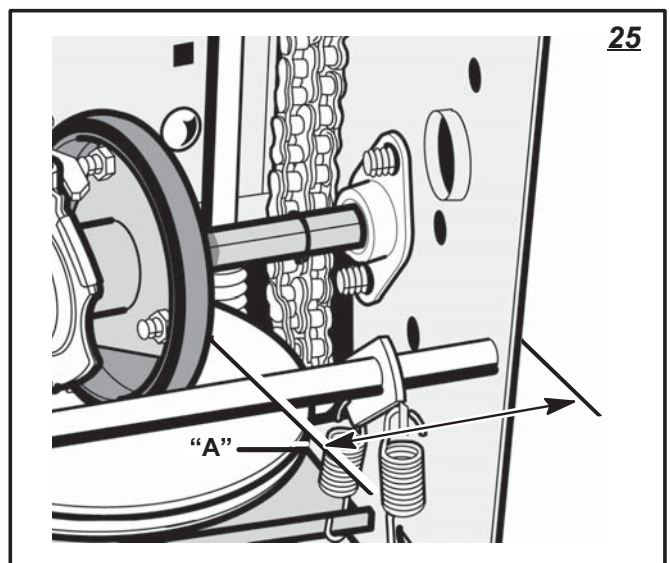
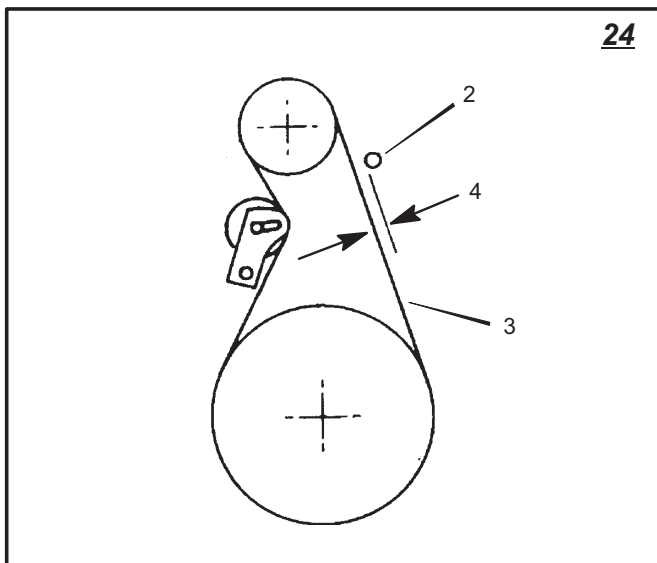
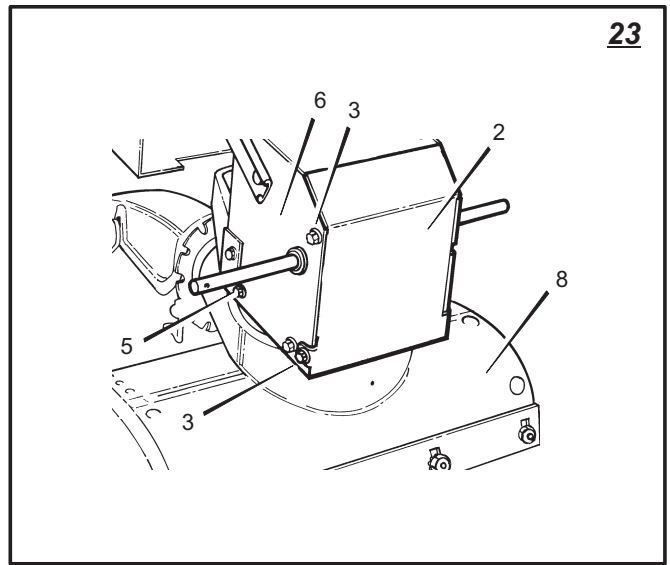
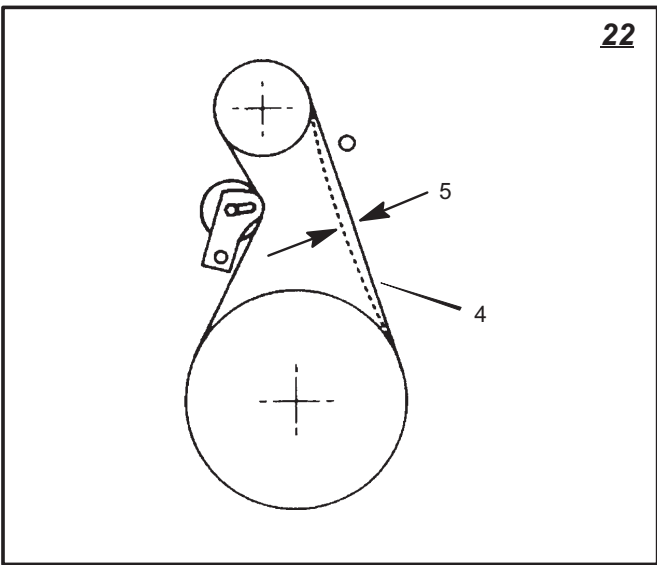
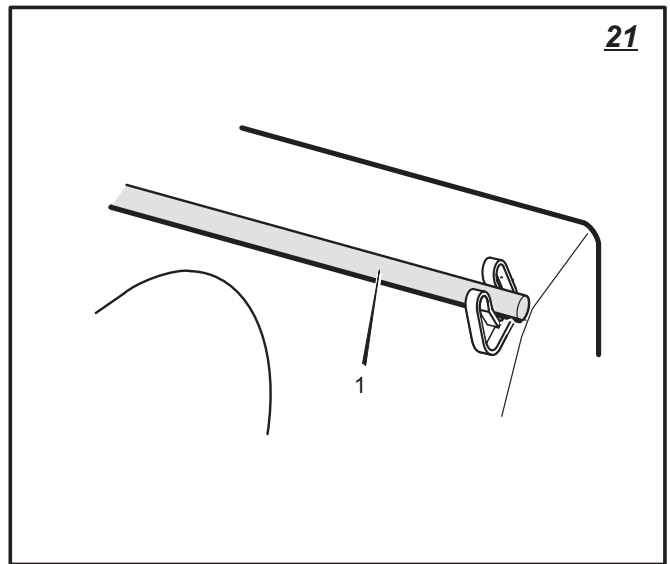
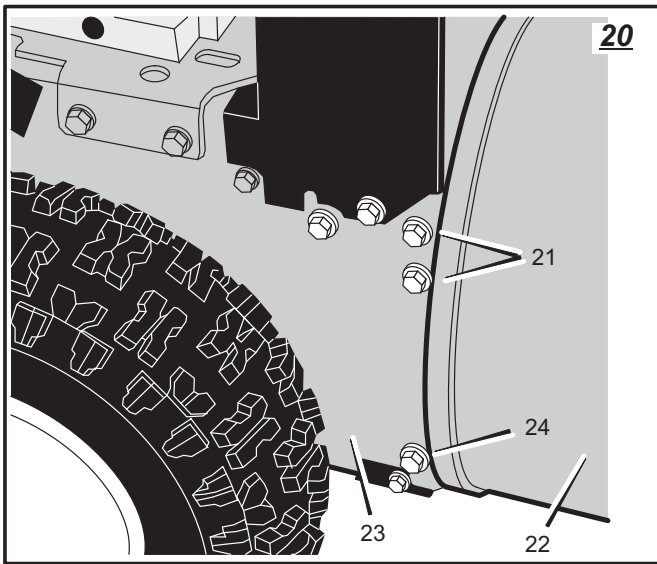


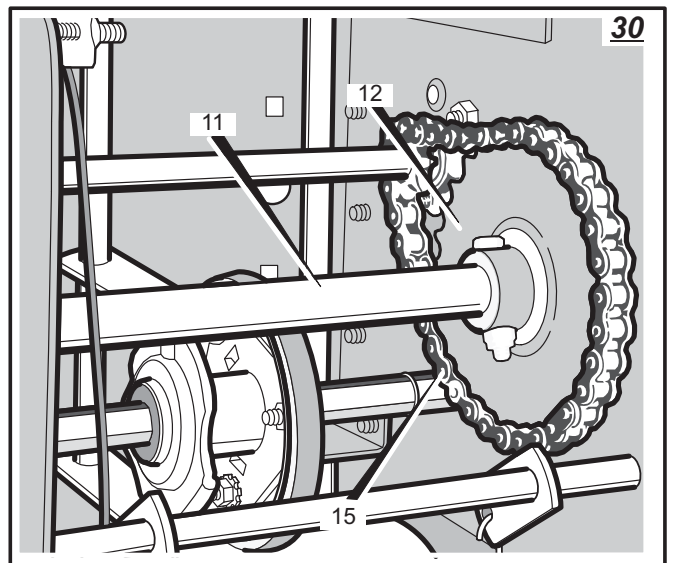
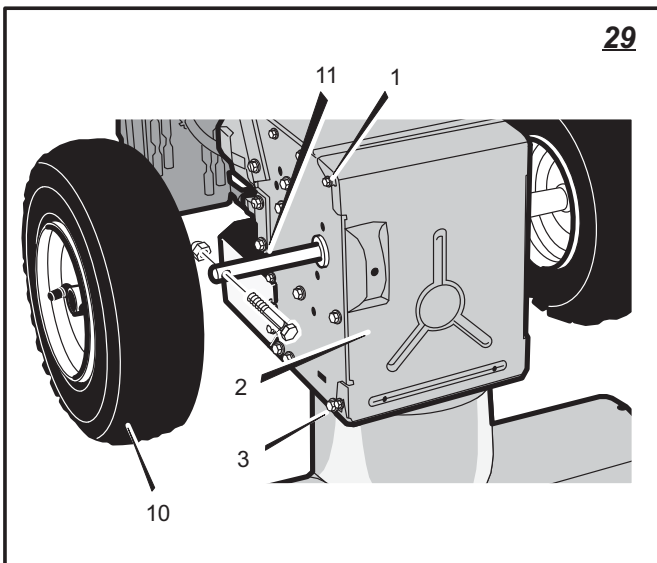
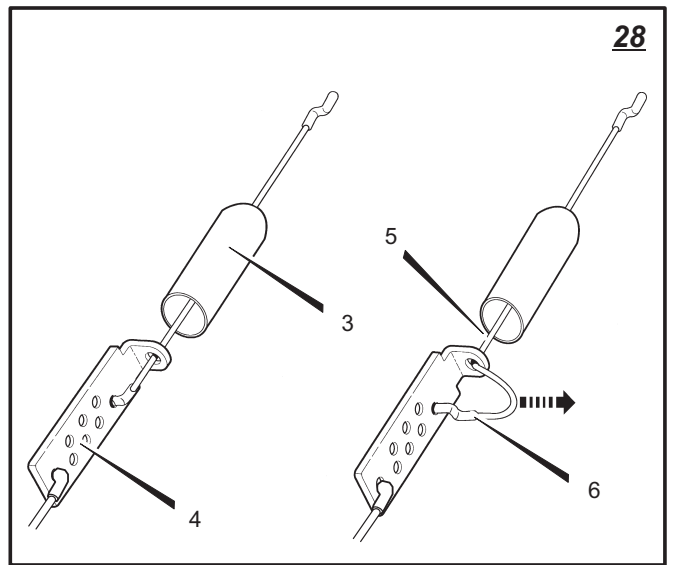
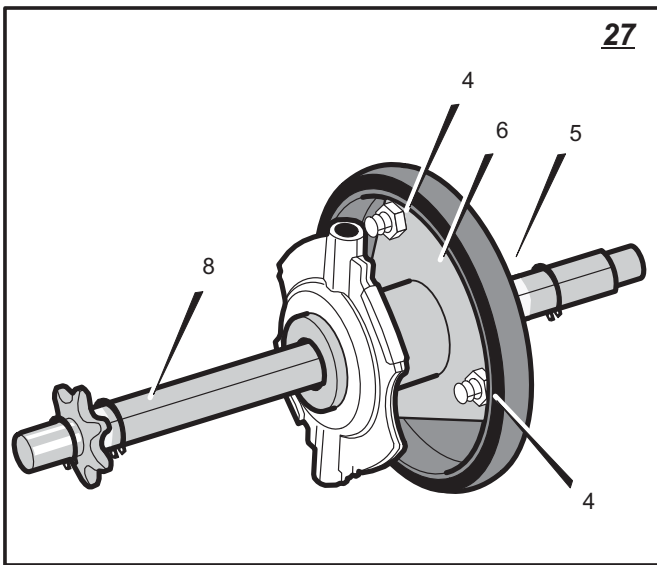
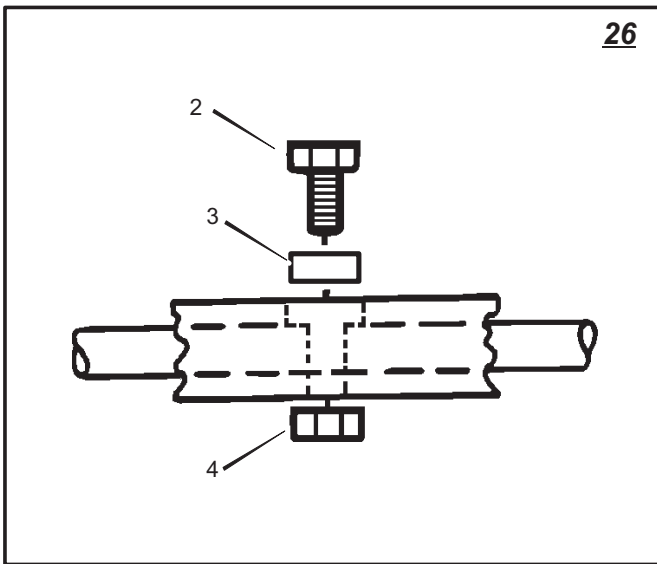
7

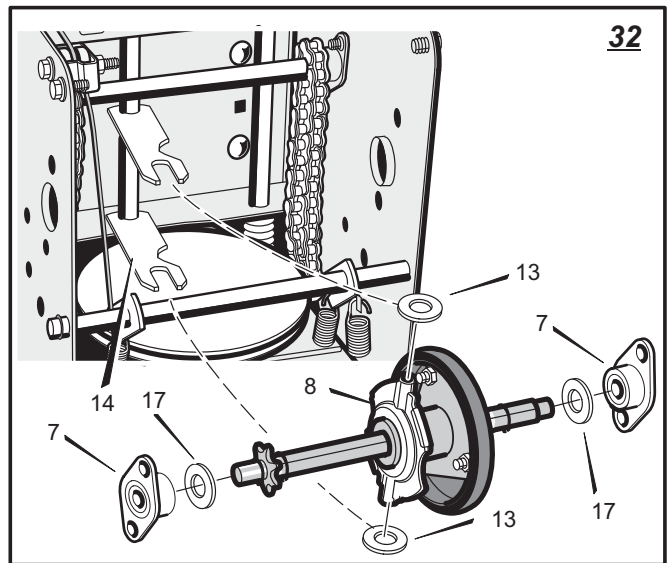
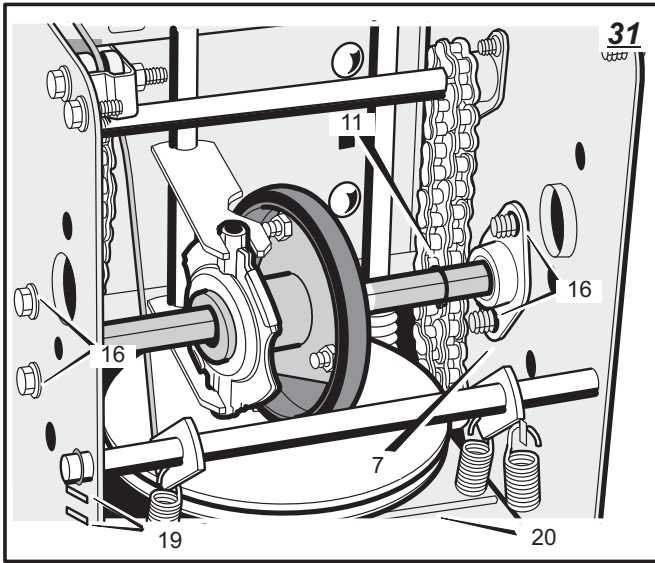


















## Free Manuals Download Website

<http://myh66.com>

<http://usermanuals.us>

<http://www.somanuals.com>

<http://www.4manuals.cc>

<http://www.manual-lib.com>

<http://www.404manual.com>

<http://www.luxmanual.com>

<http://aubethermostatmanual.com>

Golf course search by state

<http://golfingnear.com>

Email search by domain

<http://emailbydomain.com>

Auto manuals search

<http://auto.somanuals.com>

TV manuals search

<http://tv.somanuals.com>