

KW550

KW-SERIES TUBE INPUT INTEGRATED AMPLIFIER



INSTRUCTIONS FOR USE

Thank you for purchasing the Musical Fidelity KW550

This model uses our finely tuned pre- and power amplifier techniques to achieve both an excellent technical specification and unparalleled sound quality, using a top quality 6SL7 tube line level preamplifier stage and two monobloc power amps capable of driving over 550W.

The KW550 is a perfect answer to most integrated requirements in a single, beautifully engineered package.

Used properly and carefully, it should give many years of outstanding musical reproduction.

Dust regularly with a soft duster or soft brush, but be careful when using cleaning or polishing agents - they may harm the surface finish.

*If you have any questions about your audio system,
Please consult your dealer who is there to help and advise.*

MUSICAL FIDELITY

PAGE	Section	
3	Safety information	- Mains plug (U.K. only) - Modification warning
4	General advice	- Installation precautions - User information
5	Disposal information	EU disposal information
6	Installation	- Introduction - Installation - Audio connection - Cleaning
7	Facilities and connections	- Illustrations – Main unit front & rear panels
8		- Illustrations – Power unit front & rear panels
9	Remote control	- Operation and illustration
10	Amplifier connections	- Input connections, output connections
11	Amplifier operation	- Starting Volume, Phono, CD, AUX1, AUX2, AUX3, TAPE, recording
12	Amplifier problems?	- Basic amplifier fault finding
13	Amplifier specifications	
14	Manual history	

IMPORTANT! (U.K. only)

This unit is supplied in the U.K. with mains lead fitted with a moulded 13 amp plug. If, for any reason, you need to cut off the plug, please remove the fuse holder and dispose of the plug safely, out of reach of children.


It must not be plugged into a mains outlet.

The wires in the mains lead supplied with this appliance are coloured in accordance with the following code:

Green and yellow.....Earth
Blue.....Neutral
Brown.....Live

WARNING - This appliance MUST be earthed

As the colours of the wires of the mains lead of this appliance may not correspond with the coloured markings identifying the terminals in your plug, proceed as follows:

The wire which is coloured green-and-yellow must be connected to the terminal in the plug which is marked with the letter E or coloured green or green-and-yellow, or by the earth symbol : 

The wire which is coloured brown must be connected to the terminal which is marked with the letter L or coloured red.

The wire which is coloured blue must be connected to the terminal which is marked with the letter N or coloured black.

If connecting to a BS1363 plug, a 13 amp fuse must be used.

WARNING:

**ANY MODIFICATIONS TO THIS PRODUCT NOT EXPRESSLY APPROVED
BY MUSICAL FIDELITY WHO IS THE PARTY RESPONSIBLE FOR
STANDARDS COMPLIANCE COULD VOID THE USER'S AUTHORITY TO
OPERATE THIS EQUIPMENT.**

INSTALLATION PRECAUTIONS & USER INFORMATION

Your new KW550 is designed and built to provide trouble-free performance, but as with all electronic devices it is necessary to observe a few precautions:

Heed all warnings shown on the back of the product.

Only connect the KW550 to a mains outlet having the same voltage as marked at the back of the unit.

Always ensure that when disconnecting and reconnecting your audio equipment the mains supply is switched off.

Position the mains lead and signal interconnects where they are not likely to be walked on or trapped by items placed on them.

Do not use near water, or place water-filled containers on the KW550, for example, a flower vase or potted plants. **If water does spill inside, immediately pull out the mains plug from the wall socket and inform your dealer, who should then check the unit before further use. Entry of liquid into the KW550 is dangerous, and may cause electric shock or fire hazard.**

Do not place the unit near direct heat sources such as radiators, direct sunlight or other equipment.

Do not remove any covers or try to gain access to the inside. There are no internal adjustments or fuses you can replace yourself. Refer all service work to an authorised Musical Fidelity agent.

Note: Unauthorised opening of the equipment will invalidate any warranty claim.

Dust regularly with a soft cloth or soft brush but be careful when using cleaning or polishing agents - they may harm the surface finish.

The electronics in modern hi-fi equipment is complex and may, therefore, be adversely affected or damaged by lightning. For protection of your audio system during electrical storms, remove the mains plugs and disconnect any aerial lead.

If after-sales service is required, to help your dealer identify the KW550 please quote the serial number located on the rear panel of the unit.

**DISPOSAL**

The crossed out wheeled bin label that appears on the back panel of the product indicates that the product must not be disposed of as normal household waste. To prevent possible harm to the environment please separate the product from other waste to ensure that it can be recycled in an environmentally safe manner. Please contact your local government office or your retailer for available collection facilities.

**DISPOSITION**

La poubelle sur roulettes barrées X, qui apparaît en logo sur le panneau arrière du produit, indique que celui-ci ne doit pas être traité comme un déchet domestique commun. Afin de protéger l'environnement, ce produit électronique devra être géré séparément et donc recyclé selon les nouvelles normes Européennes Rohs concernant les déchets d'appareils électroniques. Prière de contacter les services concernés gouvernementaux ou votre point de vente pour l'élimination et l'enlèvement de déchets électroniques équipés de composants électroniques.

**DISPOSAL**

La etiqueta cruzada hacia fuera del compartimiento que aparece en el panel trasero del producto indica que el producto no se debe reciclar como basura normal de la casa. Para prevenir daños posible al ambiente separe por favor el producto de otras basura para asegurarse de que puede ser reciclada de una manera ambientalmente segura. Entre en contacto por favor a su oficina gubernamental local o a su minorista para las instalaciones disponibles de la colección.

**RIFIUTI**

L'etichetta del cassonetto barrato riportato sul retro dell'apparecchio indica che il prodotto non deve essere smaltito tramite la procedura normale di smaltimento dei rifiuti domestici. Per evitare eventuali danni all'ambiente, separare questo prodotto da altri rifiuti domestici in modo che possa venire riciclato in base alle procedure di rispetto ambientale. Per maggiori dettagli sulle aree di raccolta disponibili, contattate l'ufficio govenativo locale od il rivenditore del prodotto.

**FACHGERECHTE ENTSORGUNG:**

Das auf der Geräterückseite angebrachte Label deutet darauf hin, dass das Produkt nicht mit konventionellem Hauskehricht entsorgt werden darf. Um Schäden und Verschmutzungen an Umwelt und Mensch zu vermeiden, muss das Produkt fachgerecht entsorgt und von anderem Abfall getrennt werden. Wenden Sie sich bei Fragen hierzu an Ihren Fachhändler oder an eine öffentliche Informationsstelle.

AFVAL

Het label op de achterzijde van dit apparaat, een afvalbak op wielen met een kruis doorgehaald, geeft aan dat dit apparaat niet samen met gewoon huishoudafval mag worden weggegooid. Om mogelijke schade aan onze leefomgeving te voorkomen dient dit apparaat, gescheiden van gewoon huishoudelijk afval, te worden afgevoerd zodat het op een milieuvriendelijke manier kan worden gerecycled. Neem voor beschikbare inzamelplaatsen contact op met uw gemeentelijke reinigingsdienst of met uw elektronica leverancier.

**HÄVITTÄMINEN**

Yliüksattua jäteastiaa kuvaava tarra tuotteen takalevyssä kertoo, että tuotetta ei saa käsitellä normaalina talousjätteenä. Ympäristön suojelemiseksi on tuote pidettävä erillään muusta jätteestä ja se on kierrätettävä ekologisesti kestävällä tavalla. Ota yhteyttä laitteen myyjään tai Pirkanmaan Ympäristökeskukseen lähimmän kierrätyskeskuksen löytämiseksi.

**AFSKAFNING**

Logoet med en skraldespand med kryds over på bagsiden af apparatet indikerer at dette produkt ikke må kasseres som normal husholdningsaffald. For at forebygge mulig skade på miljøet, bedes De separere dette produkt fra andet affald, og sikre at det bliver genbrugt på en miljørigtig måde. Kontakt venligst de lokale myndigheder eller din forhandler for oplysning om nærmeste tilgængelige opsamlingssted for elektronikaffald.

**ΔΙΑΔΙΚΑΣΙΑ ΑΠΟΡΡΙΨΗΣ**

ΤΟ ΣΗΜΑ ΜΕ ΤΟΝ ΔΙΑΓΕΓΡΑΜΜΕΝΟ ΤΡΟΧΗΛΑΤΟ ΚΑΘΟ ΑΠΟΡΡΙΜΑΤΩΝ ΣΤΗΝ ΠΙΣΩ ΟΨΗ ΤΟΥ ΜΗΧΑΝΗΜΑΤΟΣ ΔΗΛΩΝΕΙ ΟΤΙ ΤΟ ΠΡΟΙΟΝ ΑΥΤΟ ΔΕΝ ΠΡΕΠΕΙ ΝΑ ΔΙΑΧΕΙΡΙΣΘΕΙ ΣΑΝ ΣΥΝΗΘΙΣΜΕΝΟ ΟΙΚΙΑΚΟ ΑΠΟΒΛΗΤΟ. ΠΡΟΣ ΑΠΟΦΥΓΗ ΕΝΔΕΧΟΜΕΝΗΣ ΕΠΙΒΑΡΥΝΣΗΣ ΤΟΥ ΠΕΡΙΒΑΛΛΟΝΤΟΣ, ΞΕΧΩΡΙΣΤΕ ΤΟ ΠΡΟΙΟΝ ΑΠΟ ΤΑ ΑΛΛΑ ΑΠΟΡΡΙΜΑΤΑ ΩΣΤΕ ΝΑ ΕΞΑΣΦΑΛΙΣΘΕΙ Η ΑΝΑΚΥΚΛΩΣΗ ΤΟΥ ΜΕ ΤΟΝ ΠΡΕΠΟΝΤΑ ΤΡΟΠΟ. ΠΑΡΑΚΑΛΟΥΜΕ ΝΑ ΕΠΙΚΟΙΝΩΝΗΣΕΤΕ ΜΕ ΤΗΝ ΤΟΠΙΚΗ ΥΠΗΡΕΣΙΑ ΑΝΑΚΥΚΛΩΣΗΣ Η ΜΕ ΤΟ ΚΑΤΑΣΤΗΜΑ ΑΓΟΡΑΣ ΓΙΑ ΠΕΡΙΣΣΟΤΕΡΕΣ ΛΕΠΤΟΜΕΡΕΙΕΣ.

INTRODUCTION

Congratulations on the purchase of your new KW550 integrated valve preamp dual mono power amp.

Great attention has been paid to internal layout, isolating each circuit section to prevent possible interaction.

The preamplifier sections are our finely tuned and tweaked tube input line level tube preamplifier which uses 6SL7s for smooth sound coupled with low noise and virtually no distortion. This also includes our top quality low noise phono stage which caters for both MM and MC cartridge users.

The power amplifier consists of two mono block amplifier modules with completely separate supplies for the absolute best in separation and imaging. Rated for 550W nominal they are enough to drive even the most demanding loudspeakers with ease. Low distortion and very quiet they will deliver all music types exactly as the artist originally intended.

The resultant performance achieved by this unit is among the best in the world. It has excellent signal to noise ratio, low distortion, wide bandwidth, huge dynamic range, extraordinary resolution and fine detail.

INSTALLATION

Position the KW550 on a stable, horizontal surface where there is no risk of it being knocked, or subjected to vibration such as from loudspeakers.

Protect your KW550 from humidity - if the unit is moved from a cold place to a warm room, or in generally humid conditions, moisture can form on the inside of the unit. If this happens, leave the unit for an hour or so to allow sufficient time for the moisture to evaporate.

AUDIO CONNECTIONS

Outputs: Connect your loudspeakers to the terminals on the back panel marked as **LEFT** and **RIGHT SPEAKER** outputs.

Preamp outputs RCA sockets are controlled by the volume and source controls. This allows connection of a second amplifier for bi-amping.

Tape outputs of nominal line level and are constant volume for recording to tape, CD-R/RW, or any other recordable format.

IMPORTANT

Do NOT ground either of the speaker output terminals. They are BOTH 'live', and grounding either will cause permanent damage to your KW550.

Inputs: The KW550 has five line level inputs and a Phono MM/MC input. PHONO MM/MC, CD, AUX 1/PDI, AUX 2, AUX 3, and TAPE inputs are available at the back for connection to signal sources.

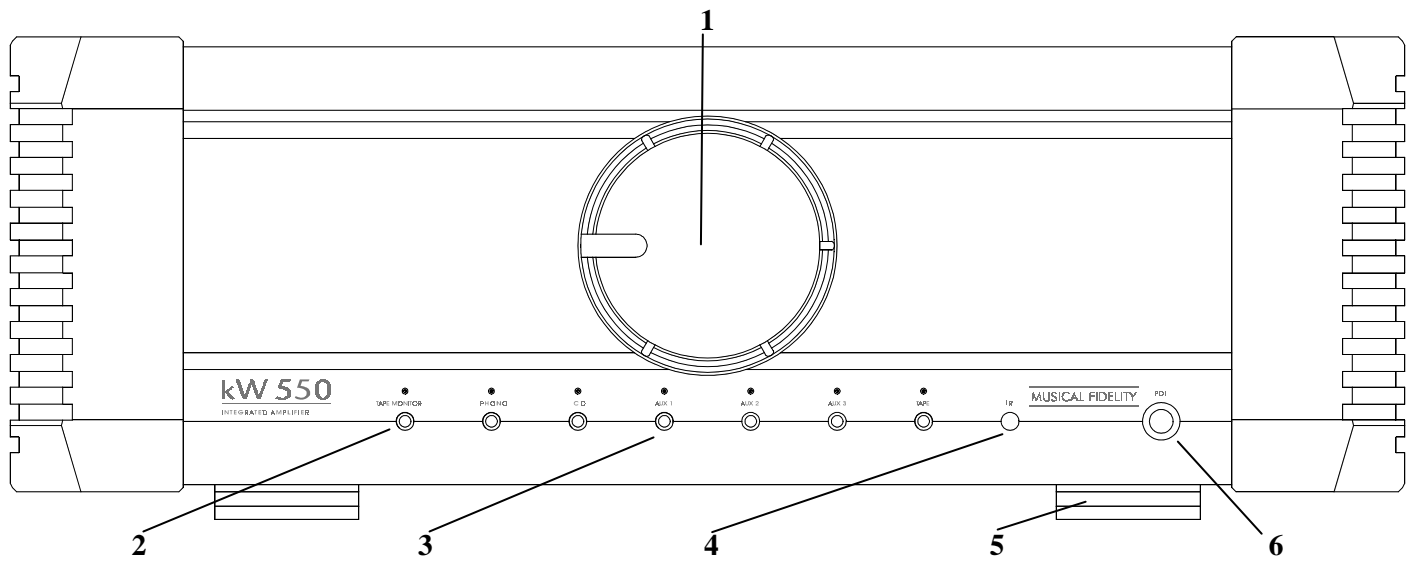
A Portable Device Input (PDI) 3.5mm stereo jack is provided at the front which is shared with the AUX 1 rear inputs. This allows easy connection of a portable player.

CLEANING

Before cleaning the unit, switch off power at the mains switch and remove the mains plug from the wall socket.

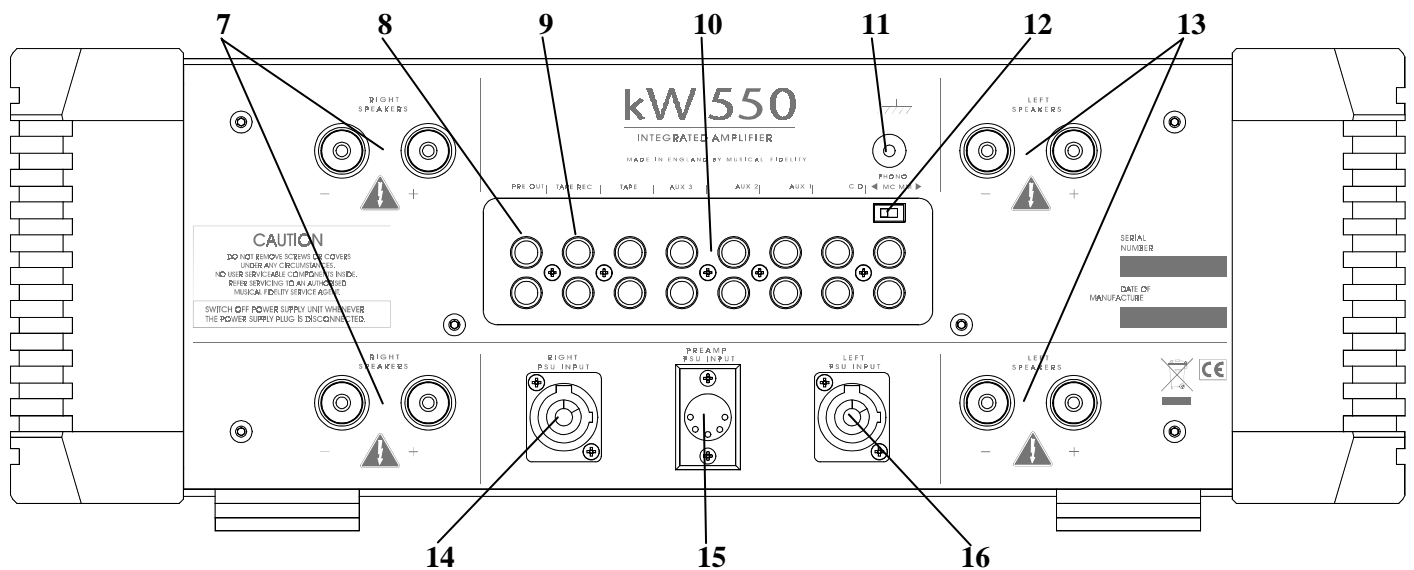
Clean the cabinet and remote control unit using a moist cloth. We do not advise using solvents, white spirit or thinners as they could damage the surface finish.

MAIN UNIT FRONT PANEL



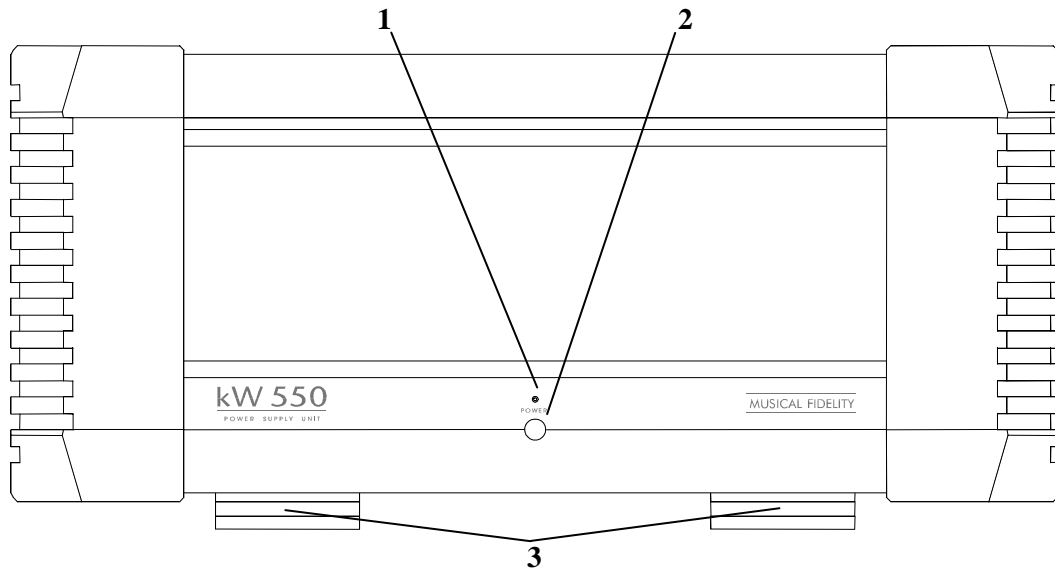
- | | |
|--|--|
| <p>1. VOLUME knob</p> <p>2. TAPE MONITOR Button</p> <p>3. INPUT SELECTOR Buttons and indicators</p> | <p>4. INFRA-RED LENS</p> <p>5. FOOT LED status indicator (all 4 feet)</p> <p>6. PDI (Portable Device Input), 3.5mm jack connector</p> |
|--|--|

MAIN UNIT REAR PANEL



- | | |
|---|--|
| <p>7. LOUDSPEAKER OUTPUTS Right hand side</p> <p>8. PRE OUTPUT RCA sockets</p> <p>9. TAPE OUTPUT RCA sockets</p> <p>10. PHONO, CD, AUX 1/PDI, AUX 2, AUX 3, TAPE INPUT RCA Sockets</p> <p>11. PHONO GROUNDING 4mm post</p> | <p>12. PHONO MM/MC Switch</p> <p>13. LOUDSPEAKER OUTPUTS Left hand side</p> <p>14. POWER SUPPLY Right hand power amp</p> <p>15. POWER SUPPLY Preamp</p> <p>16. POWER SUPPLY Left hand power amp</p> |
|---|--|

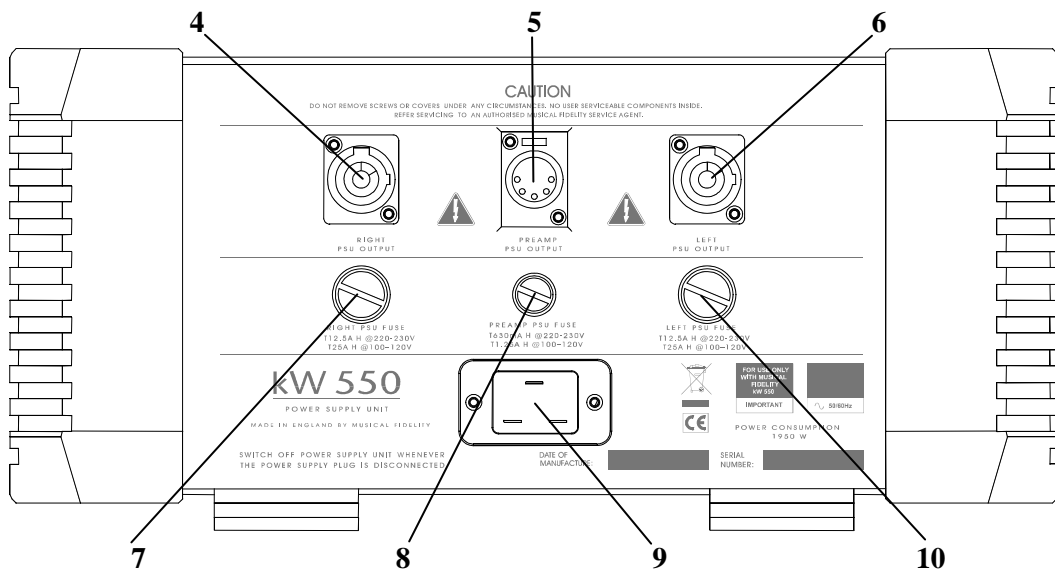
POWER SUPPLY FRONT PANEL



- 1. **POWER LED** Indicator
- 2. **POWER** mains on/off switch

- 3. **POWER LED** Indicator Feet

POWER SUPPLY REAR PANEL



- 4. **POWER OUTPUT** Right hand power amplifier
- 5. **POWER OUTPUT** Preamplifier sections
- 6. **POWER OUTPUT** Left hand power amplifier

- 7. **POWER FUSE** Right hand power amplifier
- 8. **POWER FUSE** Preamplifier sections
- 9. **IEC MAINS INLET**
- 10. **POWER FUSE** Left hand power amplifier

The universal remote control shown below enables functions from this and related units to be operated from a convenient distance. Equivalent buttons on the remote control have the same functions as those on the front panel of the unit. Other functions are only available by remote control.

As the handset uses an invisible infra-red light beam, the front edge must be pointed directly towards the receiver window at the front of the player, without visual obstruction between them.

If the range of the remote control greatly decreases, replace the batteries with new ones. Do not mix old and new batteries - two are required, size AAA, LR03 or SUM-4.

Please dispose of used batteries in accordance to local regulations.

Tuner Buttons:

INFO – To access broadcast information

MENU – to choose options

AUTO TUNE – finds previous/next broadcast

MONO/STEREO – Option for weaker FM stations

Amplifier Buttons:

PHONO – Selects Phono input

CD – Selects internal CD

TUNER – Selects internal tuner

AUX 1 – Select source AUX 1

AUX 2 – Select source AUX 2/PDI

CD Buttons:

TIME – Displays Track Time/Time remaining

0-9 Buttons – Used to select track numbers

CHECK – Check pre programmed tracks

PROGRAM – Programs selection and order of tracks

INTRO – Player plays first 10 seconds of each track

REPEAT – Repeats whole disk or selected tracks

SEARCH – Fast forward/backward through track

STOP – Stop playing/Eject CD



BAND – Selects DAB or FM

STORE – Stores station as preset

SELECT – To choose preset/DAB station

PRESET ↑ ↓ selects preset

TUNE ↑ ↓ steps up/down band

VOLUME UP/DOWN – sets volume level

MUTE – Mutes speaker outputs until pressed again

DISPLAY – Dims display

CLEAR – Clears selected pre programmed track

A/B Sets repeat start/end to repeat section of track

SHUFFLE – Plays back tracks in random order

TRACK – Next/previous track

PAUSE/PLAY – Stop/start CD playback

All input, output and power connections should be made with the mains power switched OFF.

INPUT CONNECTIONS

Phono: The KW550 has a pair of RCA type phono input sockets intended for use with moving magnet (MM) or moving coil (MC) pickups. Some turntable/pickup arm combinations are fitted with an extra wire for chassis earth. This should be connected to the earth terminal on the back panel.

Line level inputs: The unit also has five stereo pairs of RCA "line level" input sockets controlled by the internal volume setting.

They all have the same input sensitivity, and are therefore suitable for use with any source component having a line output of 300mV nominal. The sockets on the rear panel are marked, **CD, AUX 1, AUX 2, AUX 3** and **TAPE** corresponding with function selector buttons on the front panel. The **AUX1** input sockets on the back share the same input as the **PDI** input jack at the front.

Do not connect devices to both the **AUX 1** and **PDI** inputs simultaneously. Please see note P.11

OUTPUT CONNECTIONS

Speakers: Connect your loudspeakers to the terminals on the back panel marked as **LEFT** and **RIGHT SPEAKER** outputs. Make sure both speakers are connected with the same polarity.

PRE-: The KW550 has its pre-amplifier output available from RCA sockets on the back panel marked **PRE-OUT**, and is controlled by the volume adjustment.

This is to allow "bi-amplification" using suitable external amplifiers and crossover networks to power the speaker drive components separately, giving noticeable improvement in clarity, imaging and bass weight. In this arrangement, typically the KW550 speaker outputs may be used to drive the speaker's "tweeter" (high audio frequencies), and an external higher power stereo amplifier(s) could drive the "woofer" (low frequencies).

The KW550's **PRE OUT** RCA sockets would therefore be connected to the input of the external "woofer" amplifier in this example.

If you are in doubt about bi-amplification, please contact your dealer for advice.

TAPE OUT and MONITOR: The KW550 has a single tape output with facilities for recording material to a suitable line-level recorder such as tape, CD-R/RW, minidisk etc.

The tape deck's line inputs are connected to the units' **TAPE OUT** sockets to record the material being listened to. The line outs should be connected to the unused of the **AUX** inputs. The **TAPE MONITOR** button switches output to allow listening to material being recorded without swapping leads around.

STARTING

Once all connections are made, switch on the unit, using the POWER button to the bottom left of the front panel, the front panel of the KW550 and the feet will light indicating that the unit is on. The feet glow red to indicate speaker outputs are muted, for about fifteen seconds, so no sound will be heard from your speakers. Once the 15 seconds is up, the feet glow orange to indicate unit is usable, but still warming up. At this stage sound output is now available. After 30 minutes, the feet glow blue to indicate unit is fully warmed up.

VOLUME

The volume control knob should be adjusted for normal listening levels.

Note: As a safety precaution and to prevent damage to hearing and speakers, the volume control will reduce its own setting if severe output overload is experienced.

PHONO INPUT

To use the phono input, connect your turntable cartridge outputs to the phono input sockets (see p.8). The phono switch above the inputs selects the corresponding gain suitable for the cartridge being used, MM or MC.

You can also select the **PHONO** input by using the remote handset, (see p. 9) but MM/MC switching is *not* available on the remote.

Note- to reduce risk of damage to hearing and/or speakers, please reduce volume to minimum when changing the MM/MC switch.

CD

Selects the source connected to **CD** inputs.

AUX 1 or PDI

To use the **AUX 1**, connect your external source to the **AUX 1** input (see p.7). Pressing the **AUX 1** button selects the corresponding input. The **AUX 1/PDI** input is also available at the front of the unit in the form of a 3½ mm jack PDI (Portable Device Input) socket to enable personal/portable devices such as MP3 players and minidisk walkman to be played through the unit. **TIP:** For best listening experience using your portable device, we recommend you set its outputs for “line level” use, as opposed to “headphones”, if the option is available. Please refer to your portable device’s manual, for more details

Note: Please note the sockets PDI at the front and AUX 1/PDI at the back are electrically connected together:

If the front PDI socket is used, please ensure you disconnect any devices and wires connected to the rear AUX 1/PDI connectors.

If the rear AUX 1/PDI connectors are used, please ensure you disconnect any devices and wires connected to the front PDI socket.

Failure to do so could result in equipment malfunction.

AUX 2

To use the **AUX 2** input, connect your external source to the **AUX 2** input (see p.7). Pressing the **AUX 2** button selects the corresponding input.

AUX 3

To use the **AUX 3** input, connect your external source to the **AUX 3** input (see p.7). Pressing the **AUX 3** button selects the corresponding input.

TAPE

To use the **TAPE** input, connect your external source to the **TAPE** input (see p.7). Pressing the **TAPE** button selects the corresponding input.

RECORDING

To record, to any format of your choice, simply select the required source with the input selector button on the front panel or remote control. This source will now be routed to the KW550 **TAPE OUT** for recording by tape deck, CD recorder DAT, minidisk, or computer soundcard input. You will also be able to hear the selected source through the loudspeakers by pressing the **TAPE MONITOR** button from any other input. Press again to return back to the input being listened to.

Note - adjustment of the volume control has no effect on the recording level.

Basic problem-solving with an amplifier is similar to troubleshooting other electrical or electronic equipment. Always check the most obvious possible causes first, such as the following examples:

Problem	Probable Cause	Remedy
No power when POWER button is pressed	Mains power plug is not fully inserted into rear socket	Plug in securely
No sound	Mute function is still active Wrong connections between input sources and the unit Speakers not connected, or incorrectly wired Devices connected to both AUX1 rear connector and PDI front panel input simultaneously	Press the MUTE button on the remote control to cancel Check audio input lead connections Check speaker cables Remove one of the devices
Sound is not precise, lacking in bass and stereo image	Speakers are connected out of phase, i.e., connections to one speaker (+ and -) are reversed	Ensure speakers are connected correctly
Hum	Audio connector plug not fully pushed in	Insert plug securely
Remote control does not work	Amplifier's POWER switch is set to off One or more batteries fitted the wrong way round Batteries are flat Remote control is not pointed directly towards the front panel of the amplifier	Set switch to on Insert batteries correctly Change batteries for a new set Ensure there is no obstruction between the remote control and amplifier front
Remote control range has greatly reduced	Batteries are running out	Change batteries for a new set.
If none of these actions affect a cure, please contact your dealer, or an authorised Musical Fidelity service agent. Remember; never open the case of the KW550 yourself, as this will invalidate the guarantee.		

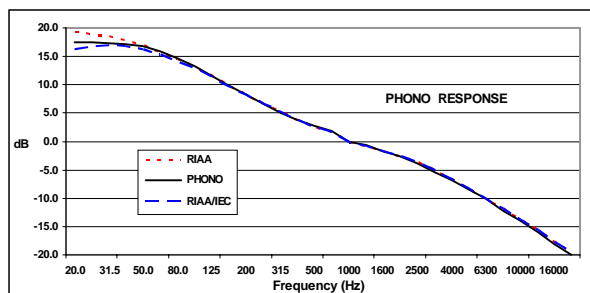
Output:

Voltage, RMS	70 Volts 20Hz to 20 kHz
Voltage, Peak-to-peak	201 Volts
Power	630 Watts per channel into 8 Ohms (28dBW), 910 Watts per channel into 4 Ohms
Current peak-to-peak	200 Amps
Damping factor	200
Output devices per channel	12
Pre-out impedance	50 Ohms

Line inputs:

Harmonic distortion at 1 kHz	0.005%
THD + noise, 20Hz to 20 kHz	< 0.01% typical
Signal / noise ratio	> 99dB 'A'-weighted
Input sensitivity for 630 Watts	450mV
Input impedance	220k Ohms
Overload margin	37dB
Channel separation	> 75dB typical
Frequency response	20Hz to 20 kHz, +0, -0.2dB 20Hz to 60kHz +0, -1.4 dB

Phono input: RIAA/IEC combined response



Signal / noise ratio	> 96dB 'A'-weighted
Input sensitivity	3.0mV (MM) 0.4mV (MC)
Input impedance	47k Ohms (MM and MC)
Overload margin	24dB (MM and MC)

Connections:

Line level inputs:	5 pairs line level RCA connectors, 1 front panel 3.5mm jack socket (sharing AUX 1 input)
Line level outputs:	1 pair phono (MM/MC) RCA connectors, 1 pair RCA [preamp] controlled by the volume, 1 pair RCA [tape record] fixed line level output.
Speaker outputs:	2 pairs 4mm banana plug/binding posts per channel.
Power requirement:	100 / 115 / 230Volts AC 50 / 60Hz (factory pre-set), 1950 Watts maximum into 8 Ohms, 120 Watts idle

Standard accessories:

- IEC type mains lead (16-Amp type),
- Power supply lead, main (two) 0.7M long, + (two) 1.2M long
- Power supply lead, for pre-amplifier (one) 0.7M long + (one) 1.2M long
- Remote control (KW, universal type),
- 2 batteries size LR03 or AAA, manganese alkaline type

Main unit	Power supply
-----------	--------------

Dimensions:	485 mm, 19.1 inches wide	365mm, 14.4 inches wide
	170 mm, 6.7 inches high inc. feet	170mm, 6.7 inches inc. feet
	470 mm, 18.5 inches deep inc. terminals	440mm, 18.5 inches inc. terminals

Weight	23 kg, 51lbs unboxed	32kg, 70lbs unboxed
	28kg, 62lbs in shipping carton	35kg, 77lbs in shipping carton



Musical Fidelity reserves the right to make improvements which may result in specification or feature changes without notice.

RELEASE	DATE	CHANGES
Issue 1	15 th August 2006	1 st issue

Free Manuals Download Website

<http://myh66.com>

<http://usermanuals.us>

<http://www.somanuals.com>

<http://www.4manuals.cc>

<http://www.manual-lib.com>

<http://www.404manual.com>

<http://www.luxmanual.com>

<http://aubethermostatmanual.com>

Golf course search by state

<http://golfingnear.com>

Email search by domain

<http://emailbydomain.com>

Auto manuals search

<http://auto.somanuals.com>

TV manuals search

<http://tv.somanuals.com>