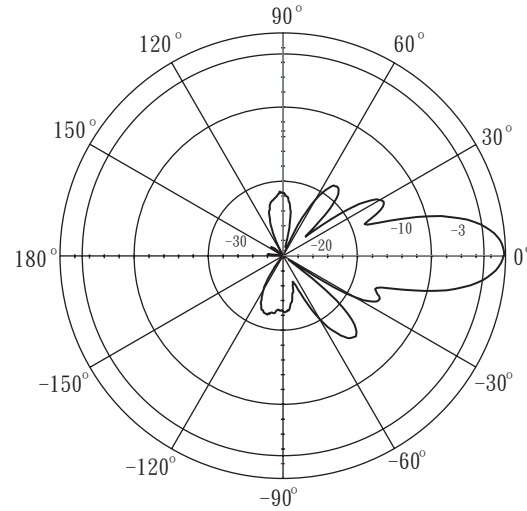


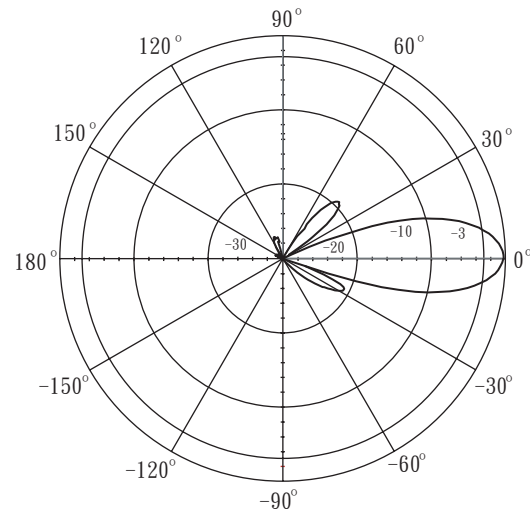
High Gain Panel Directional Antenna for 5.2 / 5.6 / 5.8 GHz



H-plane Co-polarization Pattern



V-plane Co-polarization Pattern

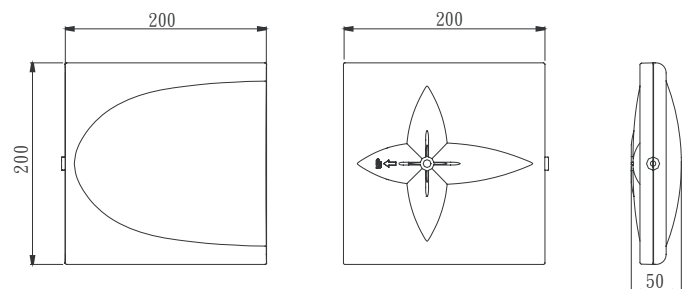


Electrical Specification

Frequency range	5.25 GHz – 5.875 GHz
Gain	18 dBi
VSWR	2.0 : 1 Max.
Polarization	Linear, vertical
HPBW / horizontal	18°
HPBW / vertical	18°
Front to back ratio	25 dB
Power handling	10W (cw)
Impedance	50 ohms
Connector	N jack

Environmental & Mechanical Characteristics

Survival wind speed	216 km/hr
Temperature	- 40 °C to +80 °C
Humidity	95% @ 25 °C
Radome color	Gray-white
Radome material	ABS, UV resistant
Weight	0.825 kg
Dimensions	215 x 200 x 48.5 mm



Free Manuals Download Website

<http://myh66.com>

<http://usermanuals.us>

<http://www.somanuals.com>

<http://www.4manuals.cc>

<http://www.manual-lib.com>

<http://www.404manual.com>

<http://www.luxmanual.com>

<http://aubethermostatmanual.com>

Golf course search by state

<http://golfingnear.com>

Email search by domain

<http://emailbydomain.com>

Auto manuals search

<http://auto.somanuals.com>

TV manuals search

<http://tv.somanuals.com>