

NEC



User's Manual
MultiSync LCD1970V
MultiSync LCD1970VX
MultiSync LCD1970NX

Index

Warning	1
Contents.....	2
Display Setup.....	3
Mounting.....	7
Flexible Arm Installation	8
Controls.....	9
Recommended Use	11
Specifications.....	13
Features	16
Troubleshooting	17
References	18
Limited Warranty	19
TCO'99	20
TCO'03	22
Manufacturer's Recycling and Energy Information	23
Avertissement	24
Contenu	25
Configuration de l'affichage	26
Montage	30
Installation du bras flexible	31
Commandes	32
Usage recommandé.....	34
Fiche technique	37
Fonctions.....	40
Dépannage	41
Références.....	42
Garantie limitée	43
TCO'99	44
TCO'03	46
Informations du fabricant relatives au recyclage et aux économies d'énergie	47



WARNING



TO PREVENT FIRE OR SHOCK HAZARDS, DO NOT EXPOSE THIS UNIT TO RAIN OR MOISTURE. ALSO, DO NOT USE THIS UNIT'S POLARIZED PLUG WITH AN EXTENSION CORD RECEPTACLE OR OTHER OUTLETS UNLESS THE PRONGS CAN BE FULLY INSERTED.
REFRAIN FROM OPENING THE CABINET AS THERE ARE HIGH VOLTAGE COMPONENTS INSIDE. REFER SERVICING TO QUALIFIED SERVICE PERSONNEL.



CAUTION



CAUTION: TO REDUCE THE RISK OF ELECTRIC SHOCK, MAKE SURE POWER CORD IS UNPLUGGED FROM WALL SOCKET. TO FULLY DISENGAGE THE POWER TO THE UNIT, PLEASE DISCONNECT THE POWER CORD FROM THE AC OUTLET. DO NOT REMOVE COVER (OR BACK). NO USER SERVICEABLE PARTS INSIDE. REFER SERVICING TO QUALIFIED SERVICE PERSONNEL.



This symbol warns user that uninsulated voltage within the unit may have sufficient magnitude to cause electric shock. Therefore, it is dangerous to make any kind of contact with any part inside this unit.



This symbol alerts the user that important literature concerning the operation and maintenance of this unit has been included. Therefore, it should be read carefully in order to avoid any problems.

Canadian Department of Communications Compliance Statement

DOC: This Class B digital apparatus meets all requirements of the Canadian Interference-Causing Equipment Regulations.

C-UL: Bears the C-UL Mark and is in compliance with Canadian Safety Regulations according to CAN/CSA C22.2 No. 60950-1.

FCC Information

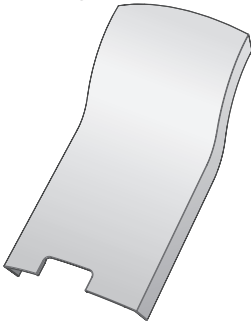
1. Use the attached specified cables with the MultiSync® LCD1970V™ (L194RK), LCD1970VX™ (L194RK) and LCD1970NX™ (L194RH) color monitor so as not to interfere with radio and television reception.
 - (1) Please use the supplied power cord or equivalent to ensure FCC compliance.
 - (2) Please use the supplied shielded video signal cable. Please use the supplied USB cable with ferrite cores.
Use of other cables and adapters may cause interference with radio and television reception.
2. This equipment has been tested and found to comply with the limits for a Class B digital device, pursuant to part 15 of the FCC Rules. These limits are designed to provide reasonable protection against harmful interference in a residential installation. This equipment generates, uses, and can radiate radio frequency energy, and, if not installed and used in accordance with the instructions, may cause harmful interference to radio communications. However, there is no guarantee that interference will not occur in a particular installation. If this equipment does cause harmful interference to radio or television reception, which can be determined by turning the equipment off and on, the user is encouraged to try to correct the interference by one or more of the following measures:
 - Reorient or relocate the receiving antenna.
 - Increase the separation between the equipment and receiver.
 - Connect the equipment into an outlet on a circuit different from that to which the receiver is connected.
 - Consult your dealer or an experienced radio/TV technician for help.

If necessary, the user should contact the dealer or an experienced radio/television technician for additional suggestions. The user may find the following booklet, prepared by the Federal Communications Commission, helpful: "How to Identify and Resolve Radio-TV Interference Problems." This booklet is available from the U.S. Government Printing Office, Washington, D.C., 20402, Stock No. 004-000-00345-4.

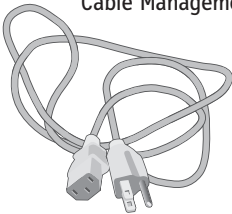
Contents

Your new NEC MultiSync® LCD monitor box* should contain the following:

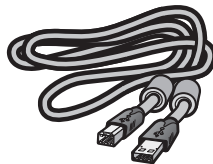
- MultiSync LCD1970V, LCD1970VX or LCD1970NX monitor with height adjustable stand
- Power Cord
- User's Manual
- USB Cable (NX only)
- Cable Management Cover
- Video Signal Cable (mini D-SUB 15 pin to mini D-SUB 15 pin)
- Video Signal Cable (DVI-D to DVI-D) (NX and VX only)



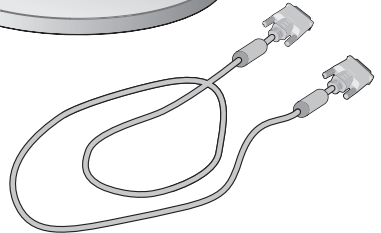
Cable Management Cover



Power Cord



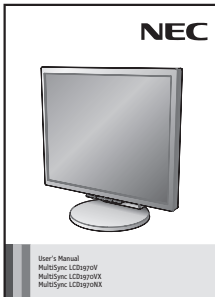
USB Cable (NX only)



DVI-D Cable (NX and VX only)



Mini D-SUB Cable



User's Manual

* Remember to save your original box and packing material to transport or ship the monitor.

Display Setup

To attach the MultiSync® LCD monitor to your system, follow these instructions:

1. Turn off the power to your computer.
2. For the PC or MAC with DVI digital output (NX and VX only): Connect the DVI signal cable to the connector of the display card in your system (**Figure 1**). Tighten all screws.
For the PC with Analog output: Connect the 15-pin mini D-SUB signal cable to the connector of the display card in your system (**Figure 2**). Tighten all screws.
For MAC setup: Connect the Macintosh cable adapter to the computer, then attach the 15-pin mini D-SUB signal cable to the Macintosh cable adapter (**Figure 3**). Tighten all screws.

NOTE: To obtain the MultiSync Macintosh cable adapter, call NEC Display Solutions of America, Inc. at (800) 632-4662.

3. Place hands on each side of the monitor to tilt the LCD panel to a 30-degree angle and lift up to the highest position (**Figure 4**).
4. Connect all cables to the appropriate connectors (**Figure 4**). Using the USB cable, connect the B type connector to the USB upstream port on the right side of the monitor and A type connector to the downstream port on the computer (**Figure 4-1**). If you can use the cord from the USB device, use one of the downstream ports on the side of the monitor.

NOTE: If connecting both DVI and D-sub cable, the DVI cable must be connected along side the rib on the power cord side (Figure 4).

5. For successful cable management, place the cables in this order into the cable management: power cable and DVI cable (**Figure 5**).
6. Place DVI cable and power cable into the specific hooks indicated in (**Figure 6**).
7. Place the D-Sub and the USB cable (NX only) into the specific hooks indicated in (**Figure 7**).
8. Make sure all cables are resting flat against the stand (**Figure 7**).
9. Hold all of the cables firmly and place the cable cover onto the stand (**Figure 8**). To remove the cable cover, lift the cover off as shown in (**Figure 9**).
10. Connect the power cord to the power outlet (**Figure 11**).

NOTE: If you have difficulty removing the cable cover, please push the cover up (towards the top of the monitor) in order to unhook the cover from the stand, then remove, as shown in (Figure 10). Handle with care when removing cable cover.

NOTE: If you use this monitor at AC125-240V, please refer to the Recommended Use section of this manual for proper selection of power cord.

11. The vacation switch on the back side of the monitor must be turned on (**Figure 11**). Turn on the monitor with the front power button and the computer.

NOTE: The vacation switch is a true on/off switch. If this switch is in the OFF position, the monitor cannot be turned on using the front button. DO NOT switch on/off repeatedly.

12. Analog input only: No-Touch Auto Adjust automatically adjusts the monitor to optimal settings upon initial setup for most timings. For further adjustments, use the following OSM® controls:

- Auto Adjust Contrast
- Auto Adjust

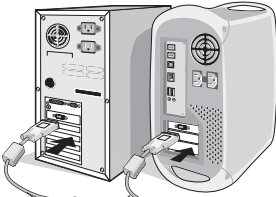
Refer to the Controls section of this User's Manual for a full description of these OSM controls.

NOTE: For download information on the Windows® 95/98/Me/2000/XP INF file for your monitor, refer to the **References section of this User's Manual.**

NOTE: If you have any problems, please refer to the **Troubleshooting section of this User's Manual.**

Display Setup -continued

Figure 1

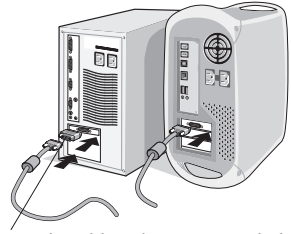


DVI Signal Cable
(NX and VX only)

Figure 2

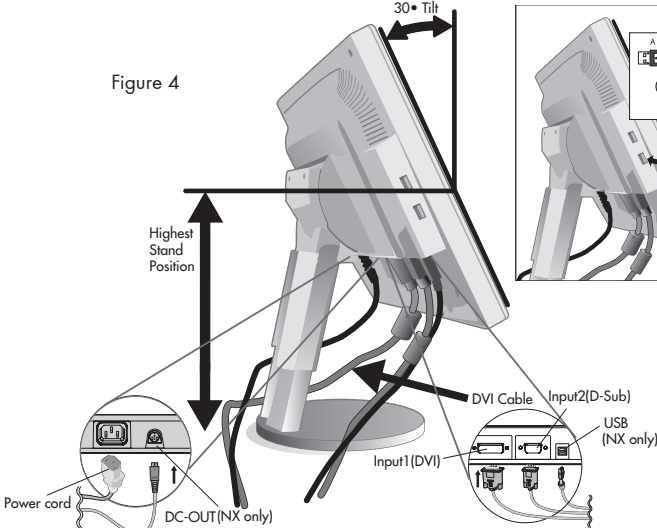


Figure 3



Macintosh Cable Adapter (not included)
Note: Some Macintosh systems do not require a Macintosh Cable Adapter

Figure 4



NEC optional product attachment.
Do not use this connector unless specified.

Figure 4-1

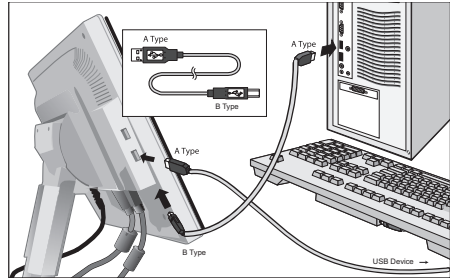


Figure 5

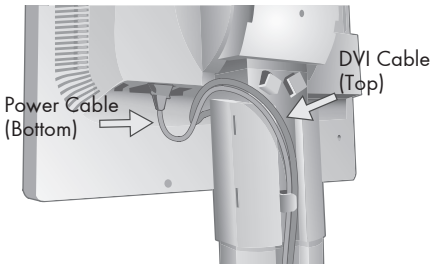
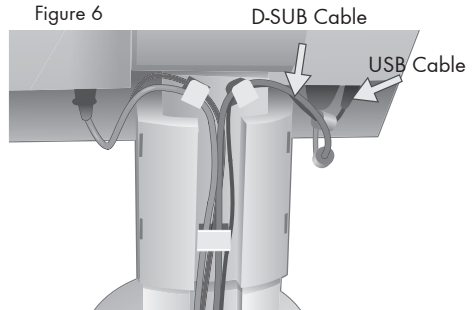


Figure 6



Display Setup -continued

Figure 7

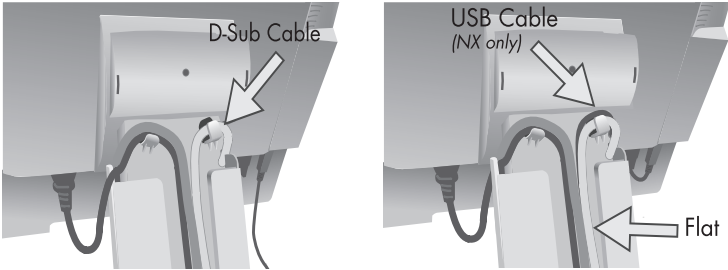


Figure 8

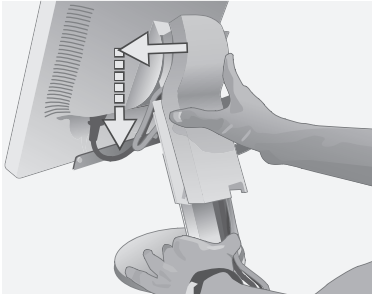


Figure 9

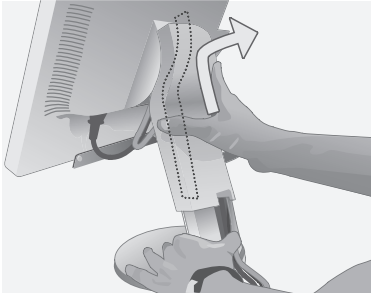


Figure 11

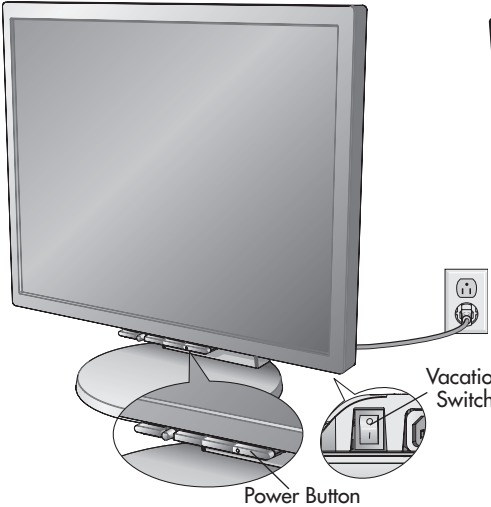
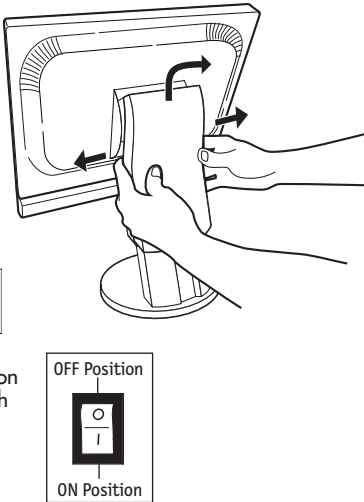


Figure 10



Display Setup *-continued*

Raise and Lower Monitor Screen

The monitor may be raised or lowered. To raise or lower screen, place hands on each side of the monitor and lift or lower to the desired height (Figure RL.1).

NOTE: Handle with care when raising or lowering the monitor screen.

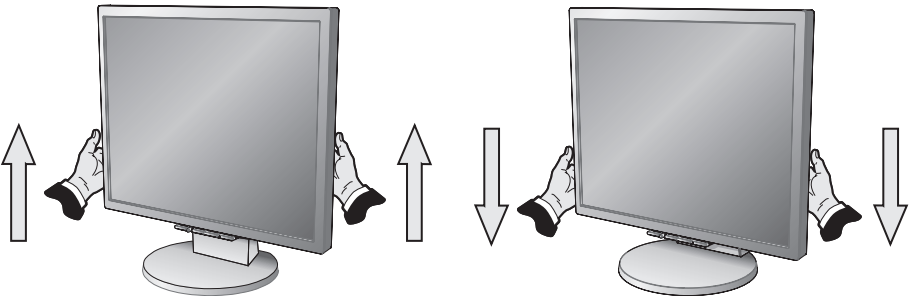


Figure RL.1

Tilt and Swivel

Grasp both sides of the monitor screen with your hands and adjust the tilt and swivel as desired (Figure TS.1).

NOTE: Handle with care when tilting and swiveling the monitor screen.

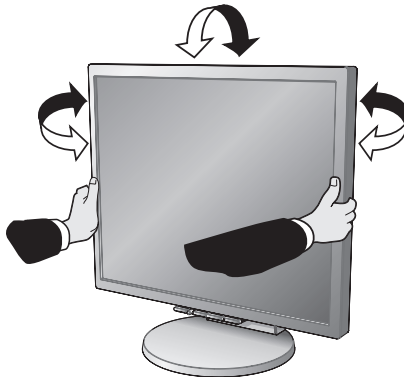


Figure TS.1

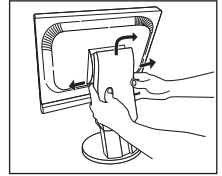
Mounting

Remove Monitor Stand for Mounting

To prepare the monitor for alternate mounting purposes:

1. Place hands on each side of the monitor and lift up to the highest position.
Remove the cable cover (Figure M.1).

NOTE: If you have difficulty removing the cable cover, please push the cover up (towards the top of the monitor) in order to unhook the cover from the stand, then remove, as shown in (Figure). Handle with care when removing cable cover.



Figure

2. Disconnect all cables.
3. Place monitor face down on a non-abrasive surface (Figure M.2).

NOTE: Handle with care when the monitor is facing down to avoid damaging the front buttons.

4. Remove the 2 screws connecting the stand to the monitor (Figure M.2).
5. Lift up the stand to unlatch the upper hooks and remove the stand (Figure M.3).
6. Remove the 2 screws on the top of the monitor (Figure M.4). The monitor is now ready for mounting in an alternate manner.
7. Connect the cables to the back of the monitor.
8. Reverse this process to reattach stand.

NOTE: Use only VESA-compatible alternative mounting method.
Handle with care when removing stand.

Figure M.1

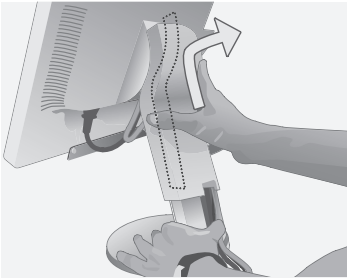


Figure M.2

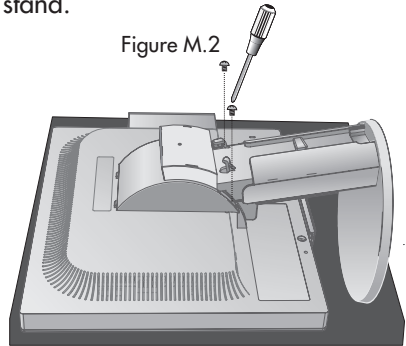


Figure M.3

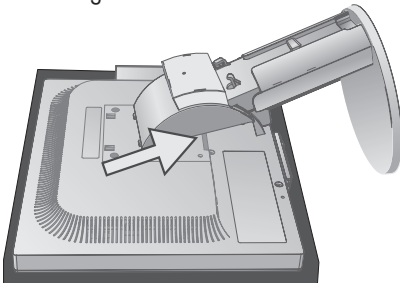
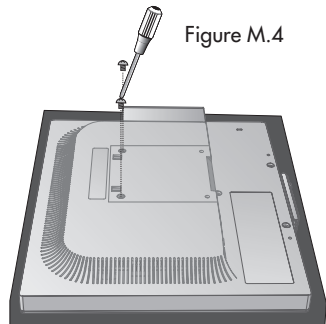


Figure M.4

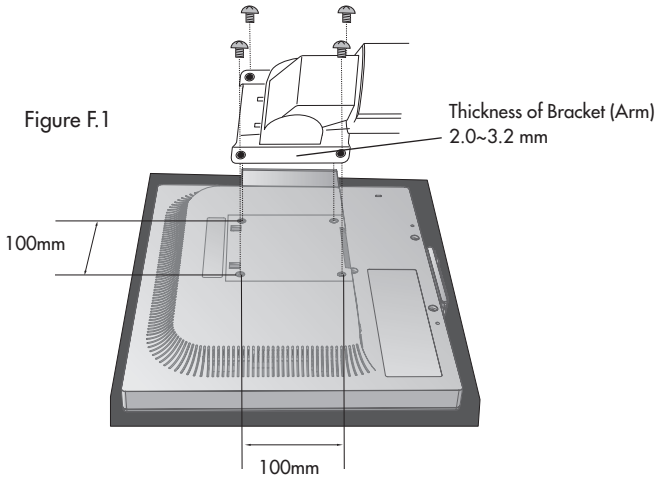


Flexible Arm Installation

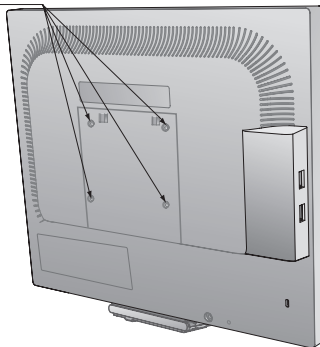
This LCD monitor is designed for use with a flexible arm. To mount the monitor to a flexible arm:

1. Follow the instruction on how to Remove Monitor Stand for Mounting to remove the stand.
2. Use the 4 screws from the stand removal to attach the arm to the monitor (Figure F.1).

NOTE: The LCD monitor should only be used with an approved arm (e.g. GS mark). To meet the safety requirements, the monitor must be mounted to an arm which guaranties the necessary stability under consideration of the weight of the monitor.



4 Screws (4M)
(Max Depth: 8.5mm)



Weight of LCD assembly:
4.9kg MAX (LCD1970V)
4.9kg MAX (LCD1970VX)
5.4kg MAX (LCD1970NX)

Controls

OSM® (On-Screen Manager) control buttons on the front of the monitor function as follows:

To access OSM menu, press any of the control buttons (MENU/EXIT, Left, Right, Down, Up).
To change signal input, press the SELECT button (NX and VX only).

NOTE: OSM must be closed in order to change signal input.

Button	Menu
MENU/EXIT	Exits the OSM controls. Exits to the OSM main menu.
Left/Right	Moves the highlighted area left/right to select control menus. Moves the bar left/right to increase or decrease the adjustment.
Down/Up	Moves the highlighted area down/up to select one of the controls.
SELECT	Active Auto Adjust function. Enter the OSM sub menu.
RESET	Resets the highlighted control menu to the factory setting.

NOTE: When **RESET** is pressed in the main and sub-menu, a warning window will appear allowing you to cancel the **RESET** function by pressing the MENU/EXIT button.



Brightness/Contrast Controls

BRIGHTNESS

Adjusts the overall image and background screen brightness.

CONTRAST

Adjusts the image brightness in relation to the background.

DV MODE (NX and VX only)

Allows you to select the setting suitable for Movie, Picture, etc.

AUTO Contrast (Analog input only)

Adjusts the image displayed to optimal settings.



Auto Adjust (Analog input only)

Automatically adjusts the Image Position, H. Size and Fine settings.



Image Controls (Analog input only)

LEFT / RIGHT

Controls Horizontal Image Position within the display area of the LCD.

DOWN / UP

Controls Vertical Image Position within the display area of the LCD.

H.SIZE

Adjusts the horizontal size by increasing or decreasing this setting.

FINE

Improves focus, clarity and image stability by increasing or decreasing this setting.

Controls -continued



AccuColor Control Systems

AccuColor® Control Systems: Six color presets select the desired color setting (sRGB and NATIVE color presets are standard and cannot be changed).

R,G,B: Increases or decreases Red, Green or Blue color depending upon which is selected. The change in color will appear on screen and the direction (increase or decrease) will be shown by the bars.

NATIVE: Original color presented by the LCD panel that is unadjustable.

sRGB: sRGB mode dramatically improves the color fidelity in the desktop environment by a single standard RGB color space. With this color supported environment, the operator could easily and confidently communicate color without further color management overhead in the most common situations.



Tools

OFF TIMER: Monitor will automatically power-down when the end user has selected a predetermined amount of time.

HOT KEY: You can adjust the brightness and contrast directly. When this function is set to ON, you can adjust the brightness with left or right control and contrast with up or down control while the OSM menu is off.

FACTORY PRESET: Selecting Factory Preset allows you to reset all OSM control settings back to the factory settings. The RESET button will need to be held down for several seconds to take effect. Individual settings can be reset by highlighting the control to be reset and pressing the RESET button.



Menu Tools

LANGUAGE: OSM® control menus are available in eight languages.

OSM LEFT/RIGHT: You can choose where you would like the OSM control image to appear horizontally on your screen.

OSM DOWN/UP: You can choose where you would like the OSM control image to appear vertically on your screen.

OSM TURN OFF: The OSM control menu will stay on as long as it is in use. In the OSM Turn Off submenu, you can select how long the monitor waits after the last touch of a button to shut off the OSM control menu.

OSM LOCK OUT: This control completely locks out access to all OSM control functions except Brightness and Contrast. When attempting to activate OSM controls while in the Lock Out mode, a screen will appear indicating the OSM controls are locked out. To activate the OSM Lock Out function, press SELECT, and right control button and hold down simultaneously. To deactivate the OSM Lock Out, press SELECT, and left control button and hold down simultaneously while in the OSM menu.

RESOLUTION NOTIFIER: This optimal resolution is 1280 x 1024. If the resolution notifier is turned ON, a message will appear on the screen after 30 seconds, notifying you that the resolution is not at 1280 x 1024.



Information

The Information menu indicates the current input, display resolution, horizontal and vertical frequency, and polarity settings of the monitor. The model and serial numbers of your monitor are also indicated.

Controls *-continued*

OSM® Warning: OSM Warning menus disappear with Exit button.

NO SIGNAL: This function gives a warning when there is no signal present. After power is turned on or when there is a change of input signal or video is inactive, the **No Signal** window will appear.

RESOLUTION NOTIFIER: This function gives a warning if the monitor is using a resolution other than the optimized resolution. After power is turned on or when there is a change of input signal or the video signal doesn't have proper resolution, the **Resolution Notifier** window will open. This function can be disabled in the Menu Tools.

OUT OF RANGE: This function gives a recommendation of the optimized resolution and refresh rate. After the power is turned on or there is a change of input signal or the video signal doesn't have timing, the **Out of Range** menu will appear.

Recommended Use

Safety Precautions and Maintenance



FOR OPTIMUM PERFORMANCE, PLEASE NOTE
THE FOLLOWING WHEN SETTING UP AND USING
THE MULTISYNC® LCD COLOR MONITOR:



- **DO NOT OPEN THE MONITOR.** There are no user serviceable parts inside and opening or removing covers may expose you to dangerous shock hazards or other risks. Refer all servicing to qualified service personnel.
- Do not spill any liquids into the cabinet or use your monitor near water.
- Do not insert objects of any kind into the cabinet slots, as they may touch dangerous voltage points, which can be harmful or fatal or may cause electric shock, fire or equipment failure.
- Do not place any heavy objects on the power cord. Damage to the cord may cause shock or fire.
- Do not place this product on a sloping or unstable cart, stand or table, as the monitor may fall, causing serious damage to the monitor.
- When operating the MultiSync LCD monitor with its AC 125-240V power supply, use a power supply cord that matches the power supply voltage of the AC power outlet being used. The power supply cord you use must have been approved by and comply with the safety standards of your country. (Type H05VV-F should be used in Europe)
- In UK, use a BS-approved power cord with molded plug having a black (5A) fuse installed for use with this monitor. If a power cord is not supplied with this monitor, please contact your supplier.
- Do not place any objects onto the monitor and do not use the monitor outdoors.
- The inside of the fluorescent tube located within the LCD monitor contains mercury. Please follow the bylaws or rules of your municipality to dispose of the tube properly.
- Do not bend power cord.
- Do not use monitor in high temperature, humid, dusty, or oily areas.
- Do not cover vent on monitor.

Immediately unplug your monitor from the wall outlet and refer servicing to qualified service personnel under the following conditions:

- When the power supply cord or plug is damaged.
- If liquid has been spilled, or objects have fallen into the monitor.
- If the monitor has been exposed to rain or water.
- If the monitor has been dropped or the cabinet damaged.
- If the monitor does not operate normally by following operating instructions.
- If glass is broken, handle with care.
- If monitor or glass is broken, do not come in contact with the liquid crystal and handle with care.
- Allow adequate ventilation around the monitor so that heat can properly dissipate. Do not block ventilated openings or place the monitor near a radiator or other heat sources. Do not put anything on top of monitor.
- The power cable connector is the primary means of detaching the system from the power supply. The monitor should be installed close to a power outlet which is easily accessible.
- Handle with care when transporting. Save packaging for transporting.



CAUTION

Image Persistence

Please be aware that LCD Technology may experience a phenomenon known as Image Persistence. Image Persistence occurs when a residual or "ghost" image of a previous image remains visible on the screen. Unlike CRT monitors, LCD monitors' image persistence is not permanent, but constant images being displayed for a long period of time should be avoided.

To alleviate image persistence, turn off the monitor for as long as the previous image was displayed. For example, if an image was on the monitor for one hour and a residual image remains, the monitor should be turned off for one hour to erase the image.

As with all personal display devices, NEC DISPLAY SOLUTIONS recommends displaying moving images and using a moving screen saver at regular intervals whenever the screen is idle or turning off the monitor when not in use.

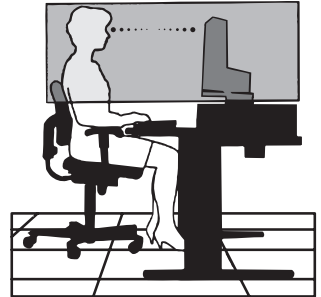
Recommended Use *-continued*



CORRECT PLACEMENT AND ADJUSTMENT OF THE MONITOR CAN REDUCE EYE, SHOULDER AND NECK FATIGUE. CHECK THE FOLLOWING WHEN YOU POSITION THE MONITOR:



- For optimum performance, allow 20 minutes for warm-up.
- Adjust the monitor height so that the top of the screen is at or slightly below eye level. Your eyes should look slightly downward when viewing the middle of the screen.
- Position your monitor no closer than 16 inches and no further away than 28 inches from your eyes. The optimal distance is 20 inches.
- Rest your eyes periodically by focusing on an object at least 20 feet away. Blink often.
- Position the monitor at a 90° angle to windows and other light sources to minimize glare and reflections. Adjust the monitor tilt so that ceiling lights do not reflect on your screen.
- If reflected light makes it hard for you to see your screen, use an anti-glare filter.
- Adjust the monitor's brightness and contrast controls to enhance readability.
- Use a document holder placed close to the screen.
- Position whatever you are looking at most of the time (the screen or reference material) directly in front of you to minimize turning your head while you are typing.
- Get regular eye checkups.



Ergonomics

To realize the maximum ergonomics benefits, we recommend the following:

- Use the preset Size and Position controls with standard signals
- Use the preset Color Setting
- Use non-interlaced signals with a vertical refresh rate between 60-75Hz
- Do not use primary color blue on a dark background, as it is difficult to see and may produce eye fatigue to insufficient contrast.

For more detailed information on setting up a healthy work environment, write the American National Standard for Human Factors Engineering of Visual Display Terminal Workstations – ANSI-HFS Standard No. 100-1988 – The Human Factors Society, Inc. P.O. Box 1369, Santa Monica, California 90406.

Cleaning the LCD Panel

- When the liquid crystal panel is dusty or dirty, please wipe gently with a soft cloth.
- Please do not rub the LCD panel with hard material.
- Please do not apply pressure to the LCD surface.
- Please do not use OA cleaner it will cause deterioration or discolor on the LCD surface.

Cleaning the Cabinet

- Unplug the power supply.
- Gently wipe the cabinet with a soft cloth.
- To clean the cabinet, dampen the cloth with a neutral detergent and water, wipe the cabinet and follow with a dry cloth.

NOTE: Many plastics are used on the surface of the cabinet. DO NOT clean with benzene, thinner, alkaline detergent, alcoholic system detergent, glass cleaner, wax, polish cleaner, soap powder, or insecticide. Do not touch rubber or vinyl to the cabinet for a long time. These types of fluids and fabrics can cause the paint to deteriorate, crack or peel.

Specifications

Monitor Specifications		MultiSync® LCD1970V™ Monitor	Notes
LCD Module	Diagonal : Viewable Image Size : Native Resolution (Pixel Count) :	19.0 inch 19.0 inch 1280 x1024	Active matrix; thin film transistor (TFT) liquid crystal display (LCD); 0.294 mm dot pitch; 250cd/m ² white luminance; 450:1 contrast ratio, typical
Input Signal	Video : Sync :	ANALOG 0.7 Vp-p/75 Ohms Separate sync. TTL Level Horizontal sync. Positive/Negative Vertical sync. Positive/Negative Composite sync. Positive/Negative Sync on Green (Video 0.7Vp-p and Sync Negative 0.3Vp-p)	
Display Colors		16,777,216	Dependent on display card used.
Maximum Viewing Angles	Left/Right : Up/Down :	80°/80° (CR>5) 80°/80° (CR>5)	
Synchronization Range	Horizontal : Vertical :	31.5 kHz to 81.1 kHz 56.0 Hz to 75.0 Hz	Automatically Automatically
Resolutions Supported		720 x 400*1 :VGA text 640 x 480*1 @ 60 Hz to 75 Hz 800 x 600*1 @ 56 Hz to 75 Hz 832 x 624*1 @ 75 Hz 1024 x 768*1 @ 60 Hz to 75 Hz 1152 x 870*1 @ 75 Hz 1280 x 1024 @ 60 Hz to 75 Hz	Some systems may not support all modes listed. NEC DISPLAY SOLUTIONS cites recommended resolution at 60 Hz for optimal display performance.
Active Display Area	Horizontal : Vertical :	376.3 mm/14.8 inches 301.1 mm/11.9 inches	
Power Supply		100 – 240 V~ 50/60 Hz	
Current Rating		0.65 – 0.35A	
Dimensions		412.5 mm (W) x 386.5-496.5 mm (H) x 220 mm (D) 16.2 inches (W) x 15.2-19.5 inches (H) x 8.7 inches (D)	
Weight		7.6 kg 16.8 lbs	
Environmental Considerations	Operating Temperature : Humidity : Feet : Storage Temperature : Humidity : Feet :	5°C to 35°C/41°F to 95°F 30% to 80% 0 to 10,000 Feet -10°C to 60°C/14°F to 140°F 10% to 85% 0 to 30,000 Feet	

*1 Interpolated Resolutions: When resolutions are shown that are lower than the pixel count of the LCD module, text may appear different. This is normal and necessary for all current flat panel technologies when displaying non-native resolutions full screen. In flat panel technologies, each dot on the screen is actually one pixel, so to expand resolutions to full screen, an interpolation of the resolution must be done.

NOTE: Technical specifications are subject to change without notice.

Specifications-continued

Monitor Specifications

MultiSync® LCD1970VX™ Notes

LCD Module	Diagonal : Viewable Image Size : Native Resolution (Pixel Count) :	19.0 inch 19.0 inch 1280 x1024	Active matrix; thin film transistor (TFT) liquid crystal display (LCD); 0.294 mm dot pitch; 250cd/m ² white luminance; 450:1 contrast ratio, typical
Input Signal	Video : Sync :	ANALOG 0.7 Vp-p/75 Ohms Separate sync. TTL Level Horizontal sync. Positive/Negative Vertical sync. Positive/Negative Composite sync. Positive/Negative Sync on Green (Video 0.7Vp-p and Sync Negative 0.3Vp-p)	Digital Input : DVI
Display Colors		16,777,216	Dependent on display card used.
Maximum Viewing Angles	Left/Right : Up/Down :	80°/80° (CR>5) 80°/80° (CR>5)	
Synchronization Range	Horizontal : Vertical :	31.5 kHz to 81.1 kHz 56.0 Hz to 75.0 Hz	Automatically Automatically
Resolutions Supported		720 x 400*1 :VGA text 640 x 480*1 @ 60 Hz to 75 Hz 800 x 600*1 @ 56 Hz to 75 Hz 832 x 624*1 @ 75 Hz 1024 x 768*1 @ 60 Hz to 75 Hz 1152 x 870*1 @ 75 Hz 1280 x 1024 @ 60 Hz to 75 Hz	Some systems may not support all modes listed. NEC DISPLAY SOLUTIONS cites recommended resolution at 60 Hz for optimal display performance.
Active Display Area	Horizontal : Vertical :	376.3 mm/14.8 inches 301.1 mm/11.9 inches	
Power Supply		100 – 240 V~ 50/60 Hz	
Current Rating		0.65 – 0.35A	
Dimensions		412.5 mm (W) x 386.5-496.5 mm (H) x 220 mm (D) 16.2 inches (W) x 15.2-19.5 inches (H) x 8.7 inches (D)	
Weight		7.6 kg 16.8 lbs	
Environmental Considerations	Operating Temperature : Humidity : Feet : Storage Temperature : Humidity : Feet :	5°C to 35°C/41°F to 95°F 30% to 80% 0 to 10,000 Feet -10°C to 60°C/14°F to 140°F 10% to 85% 0 to 30,000 Feet	

*1 Interpolated Resolutions: When resolutions are shown that are lower than the pixel count of the LCD module, text may appear different. This is normal and necessary for all current flat panel technologies when displaying non-native resolutions full screen. In flat panel technologies, each dot on the screen is actually one pixel, so to expand resolutions to full screen, an interpolation of the resolution must be done.

NOTE: Technical specifications are subject to change without notice.

Specifications -continued

Monitor Specifications	MultiSync® LCD1970NX		Notes
LCD Module	Diagonal : Viewable Image Size : Native Resolution (Pixel Count) :	19.0 inch 19.0 inch 1280 x1024 pitch;	Active matrix; thin film transistor (TFT) liquid crystal display (LCD); 0.294 mm dot 230cd/m ² white luminance; 800:1 contrast ratio, typical
Input Signal	Video : Sync :	ANALOG 0.7 Vp-p/75 Ohms Separate sync. TTL Level Horizontal sync. Positive/Negative Vertical sync. Positive/Negative Composite sync. Positive/Negative Sync on Green (Video 0.7Vp-p and Sync Negative 0.3Vp-p)	Digital Input: DVI
Display Colors		16,777,216	Dependent on display card used.
Maximum Viewing Angles	Left/Right : Up/Down :	88°/88° (CR>10) 88°/88° (CR>10)	
Synchronization Range	Horizontal : Vertical :	31.5 kHz to 81.1 kHz 56.0 Hz to 75.0 Hz	Automatically Automatically
Resolutions Supported		720 x 400*1 :VGA text 640 x 480*1 @ 60 Hz to 75 Hz 800 x 600*1 @ 56 Hz to 75 Hz 832 x 624*1 @ 75 Hz 1024 x 768*1 @ 60 Hz to 75 Hz 1152 x 870*1 @ 75 Hz 1280 x 1024 @ 60 Hz to 75 Hz	Some systems may not support all modes listed. NEC DISPLAY SOLUTIONS cites recommended resolution at 60 Hz for optimal display performance.
Active Display Area	Horizontal : Vertical :	376.3 mm/14.8 inches 301.1 mm/11.9 inches	
USB Hub	I/P: Port: Load Current:	USB Specification Revision 2.0 Upstream 1 Downstream 4 Maximum 0.5A per port	
Power Supply		100 – 240 V~ 50/60 Hz	
Current Rating		1.2 – 0.6A	
Dimensions		412.5 mm (W) x 386.5-496.5 mm (H) x 220.0 mm (D) 16.2 inches (W) x 15.2-19.5 inches (H) x 8.7 inches (D)	
Weight		8.1 kg 17.9 lbs	
Environmental Considerations	Operating Temperature : Humidity : Feet : Storage Temperature : Humidity : Feet :	5° C to 35° C/41° F to 95° F 30% to 80% 0 to 10,000 Feet -10° C to 60° C/14° F to 140° F 10% to 85% 0 to 40,000 Feet	

*1 Interpolated Resolutions: When resolutions are shown that are lower than the pixel count of the LCD module, text may appear different. This is normal and necessary for all current flat panel technologies when displaying non-native resolutions full screen. In flat panel technologies, each dot on the screen is actually one pixel, so to expand resolutions to full screen, an interpolation of the resolution must be done.

NOTE: Technical specifications are subject to change without notice.

Features

Thin-frame design creates more desktop space for you to work and play, while the flat screen's crisp, bright images and crystal-clear text deliver a comfortable viewing experience.

No Touch Auto Adjust™ automatically adjusts your optimal image settings upon initial power-on.

AccuColor® Control System allows you to change between six color settings on your display to match your personal preference.

Redesigned OSM® controls allow you to quickly and easily adjust all elements of your screen image.

NaViSet™ software offers an expanded and intuitive graphical interface, allowing you to more easily adjust OSM® display settings via mouse and keyboard.

Height adjustable stand with tilt, swivel and cable management adds flexibility to your viewing preferences.

USB 2.0 hub adds excitement to your computing by connecting you to digital cameras, scanners and more (NX only).

ErgoDesign® Features: Enhanced human ergonomics to improve the working environment, protect the health of the user and save money. Examples include OSM controls for quick and easy image adjustments, tilt base for preferred angle of vision, small footprint and compliance with MPRII and TCO guidelines for lower emissions.

Plug and Play: The Microsoft® solution with the Windows®95/98/Me/2000/XP operating system facilitates setup and installation by allowing the monitor to send its capabilities (such as screen size and resolutions supported) directly to your computer, automatically optimizing display performance.

IPM® (Intelligent Power Manager) System: Provides innovative power-saving methods that allow the monitor to shift to a lower power consumption level when on but not in use, saving two-thirds of your monitor energy costs, reducing emissions and lowering the air conditioning costs of the workplace.

Multiple Frequency Technology: Automatically adjusts monitor to the display card's scanning frequency, thus displaying the resolution required.

FullScan® Capability: Allows you to use the entire screen area in most resolutions, significantly expanding image size.

VESA Standard Mounting Interface: Allows users to connect their MultiSync® monitor to any VESA standard third party mounting arm or bracket. Allows for the monitor to be mounted on a wall or an arm using any third party compliant device.

Troubleshooting

No picture

- The signal cable should be completely connected to the display card/computer.
- The display card should be completely seated in its slot.
- Make sure the Vacation Switch is in the ON position.
- Front Power Switch and computer power switch should be in the ON position.
- Check to make sure that a supported mode has been selected on the display card or system being used. (Please consult display card or system manual to change graphics mode.)
- Check the monitor and your display card with respect to compatibility and recommended settings.
- Check the signal cable connector for bent or pushed-in pins.
- Check the signal input, "INPUT 1" or "INPUT 2".

Power Button does not respond

- Unplug the power cord of the monitor from the AC outlet to turn off and reset the monitor.
- Check the Vacation Switch on the back side of the monitor.

Image Persistence

- Please be aware that LCD Technology may experience a phenomenon known as Image Persistence. Image Persistence occurs when a residual or "ghost" image of a previous image remains visible on the screen. Unlike CRT monitors, LCD monitors' image persistence is not permanent, but constant images being displayed for a long period of time should be avoided.

To alleviate image persistence, turn off the monitor for as long as the previous image was displayed. For example, if an image was on the monitor for one hour and a residual image remains, the monitor should be turned off for one hour to erase the image.

As with all personal display devices, NEC DISPLAY SOLUTIONS recommends displaying moving images and using a moving screen saver at regular intervals whenever the screen is idle or turning off the monitor when not in use.

Image is unstable, unfocused or swimming is apparent

- Make sure Signal cable is properly attached.
- Use the OSM Image Adjust controls to focus and adjust display by increasing or decreasing the fine total. When the display mode is changed, the OSM Image Adjust settings may need to be re-adjusted.
- Check the monitor and your display card with respect to compatibility and recommended signal timings.
- If your text is garbled, change the video mode to non-interlace and use 60Hz refresh rate.

LED on monitor is not lit (no green or amber color can be seen)

- Power Switch should be in the ON position and power cord should be connected.
- Make sure the Vacation Switch is in the ON position.

Display image is not sized properly

- Use the OSM Image Adjust controls to increase or decrease the H.SIZE.
- Check to make sure that a supported mode has been selected on the display card or system being used. (Please consult display card or system manual to change graphics mode.)

No Video

- If no video is present on the screen, turn the Vacation Switch off and on again.
- Make certain the computer is not in a power-saving mode (touch the keyboard or mouse).

References

NEC Monitor Customer Service & Support

Customer Service and Technical Support: (800) 632-4662

Fax: (800) 695-3044

Parts and Accessories/Macintosh

Cable Adapter: (800) 632-4662

Warranty Information: www.necdisplay.com

Online Technical Support www.necdisplay.com

Sales and Product Information

Sales Information Line: (888) 632-6487

Canadian Customers: (866) 771-0266, Ext#: 4037

Government Sales: (800) 284-6320

Government Sales email: gov@necdisplay.com

Electronic Channels

World Wide Web: www.necdisplay.com

Product Registration: www.necdisplay.com

European Operations: www.nec-display-solutions.com

Drivers and Downloads www.necdisplay.com

Limited Warranty

NEC Display Solutions of America, Inc. (hereinafter "NEC DISPLAY SOLUTIONS") warrants this Product to be free from defects in material and workmanship and, subject to the conditions set forth below, agrees to repair or replace (at NEC DISPLAY SOLUTIONS's sole option) any part of the enclosed unit which proves defective for a period of three (3) years from the date of first consumer purchase. Spare parts are warranted for ninety (90) days. Replacement parts or unit may be new or refurbished and will meet specifications of the original parts or unit.

This warranty gives you specific legal rights and you may also have other rights, which vary from state to state. This warranty is limited to the original purchaser of the Product and is not transferable. This warranty covers only NEC DISPLAY SOLUTIONS-supplied components. Service required as a result of third party components is not covered under this warranty. In order to be covered under this warranty, the Product must have been purchased in the U.S.A. or Canada by the original purchaser. This warranty only covers Product distribution in the U.S.A. or Canada by NEC DISPLAY SOLUTIONS. No warranty service is provided outside of the U.S.A. or Canada. Proof of Purchase will be required by NEC DISPLAY SOLUTIONS to substantiate date of purchase. Such proof of purchase must be an original bill of sale or receipt containing name and address of seller, purchaser, and the serial number of the product.

It shall be your obligation and expense to have the Product shipped, freight prepaid, or delivered to the authorized reseller from whom it was purchased or other facility authorized by NEC DISPLAY SOLUTIONS to render the services provided hereunder in either the original package or a similar package affording an equal degree of protection. All Products returned to NEC DISPLAY SOLUTIONS for service MUST have prior approval, which may be obtained by calling 1-800-632-4662. The Product shall not have been previously altered, repaired, or serviced by anyone other than a service facility authorized by NEC DISPLAY SOLUTIONS to render such service, the serial number of the product shall not have been altered or removed. In order to be covered by this warranty the Product shall not have been subjected to displaying of fixed images for long periods of time resulting in image persistence (afterimage effects), accident, misuse or abuse or operated contrary to the instructions contained in the User's Manual. Any such conditions will void this warranty.

NEC DISPLAY SOLUTIONS SHALL NOT BE LIABLE FOR DIRECT, INDIRECT, INCIDENTAL, CONSEQUENTIAL, OR OTHER TYPES OF DAMAGES RESULTING FROM THE USE OF ANY NEC DISPLAY SOLUTIONS PRODUCT OTHER THAN THE LIABILITY STATED ABOVE. THESE WARRANTIES ARE IN LIEU OF ALL OTHER WARRANTIES EXPRESS OR IMPLIED, INCLUDING, BUT NOT LIMITED TO, THE IMPLIED WARRANTIES OF MERCHANTABILITY OR FITNESS FOR A PARTICULAR PURPOSE. SOME STATES DO NOT ALLOW THE EXCLUSION OF IMPLIED WARRANTIES OR THE LIMITATION OR EXCLUSION OF LIABILITY FOR INCIDENTAL OR CONSEQUENTIAL DAMAGES SO THE ABOVE EXCLUSIONS OR LIMITATIONS MAY NOT APPLY TO YOU.

This Product is warranted in accordance with the terms of this limited warranty. Consumers are cautioned that Product performance is affected by system configuration, software, the application, customer data, and operator control of the system, among other factors. While NEC DISPLAY SOLUTIONS Products are considered to be compatible with many systems, specific functional implementation by the customers of the Product may vary. Therefore, suitability of a Product for a specific purpose or application must be determined by consumer and is not warranted by NEC DISPLAY SOLUTIONS.

For the name of your nearest authorized NEC Display Solutions of America, Inc. service facility, contact NEC Display Solutions of America, Inc. at 1-800-632-4662.

TCO'99 -Black Models

Congratulations! You have just purchased a TCO'99 approved and labelled product! Your choice has provided you with a product developed for professional use. Your purchase has also contributed to reducing the burden on the environment and also to the further development of environmentally adapted electronics products.



Why do we have environmentally labelled computers?

In many countries, environmental labelling has become an established method for encouraging the adaptation of goods and services to the environment. The main problem, as far as computers and other electronics equipment are concerned, is that environmentally harmful substances are used both in the products and during the manufacturing. Since it has not been possible for the majority of electronics equipment to be recycled in a satisfactory way, most of these potentially damaging substances sooner or later enter Nature.

There are also other characteristics of a computer, such as energy consumption levels, that are important from the viewpoints of both the work (Internal) and natural (external) environments. Since all methods of conventional electricity generation have a negative effect on the environment (acidic and climate-influencing emissions, radioactive waste, etc.), it is vital to conserve energy. Electronics equipment in offices consume an enormous amount of energy since they are often left running continuously.

What does labelling involve?

This product meets the requirements for the TCO'99 scheme which provides for international and environmental labelling of personal computers. The labelling scheme was developed as a joint effort by the TCO (The Swedish Confederation of Professional Employees), Svenska Naturskyddsföreningen (The Swedish Society for Nature Conservation) and Statens Energimyndighet (The Swedish National Energy Administration).

The requirements cover a wide range of issues: environment, ergonomics, usability, emission of electrical and magnetic fields, energy consumption and electrical and fire safety.

The environmental demands concern restrictions on the presence and use of heavy metals, brominated and chlorinated flame retardants, CFCs (freons) and chlorinated solvents, among other things. The product must be prepared for recycling and the manufacturer is obliged to have an environmental plan which must be adhered to in each country where the company implements its operational policy. The energy requirements include a demand that the computer and/or display, after a certain period of inactivity, shall reduce its power consumption to a lower level in one or more stages. The length of time to reactivate the computer shall be reasonable for the user.

Labelled products must meet strict environmental demands, for example, in respect of the reduction of electric and magnetic fields, physical and visual ergonomics and good usability.

Environmental Requirements

Flame retardants

Flame retardants are present in printed circuit boards, cables, wires, casings and housings. In turn, they delay the spread of fire. Up to thirty percent of the plastic in a computer casing can consist of flame retardant substances. Most flame retardants contain bromine or chloride and these are related to another group of environmental toxins, PCBs, which are suspected to give rise to severe health effects, including reproductive damage in fish-eating birds and mammals, due to the bio-accumulative* processes. Flame retardants have been found in human blood and

TCO'99 -continued

researchers fear that disturbances in foetus development may occur.

TCO'99 demand requires that plastic components weighing more than 25 grams must not contain flame retardants with organically bound chlorine and bromine. Flame retardants are allowed in the printed circuit boards since no substitutes are available.

Lead**

Lead can be found in picture tubes, display screens, solders and capacitors. Lead damages the nervous system and in higher doses, causes lead poisoning.

TCO'99 requirement permits the inclusion of lead since no replacement has yet been developed.

Cadmium**

Cadmium is present in rechargeable batteries and in the colourgenerating layers of certain computer displays. Cadmium damages the nervous system and is toxic in high doses.

TCO'99 requirement states that batteries, the colourgenerating layers of display screens and the electrical or electronics components must not contain any cadmium.

Mercury**

Mercury is sometimes found in batteries, relays and switches, Mercury damages the nervous system and is toxic in high doses.

TCO'99 requirement states that batteries may not contain any Mercury. It also demands that no mercury is present in any of the electrical or electronics components associated with the display unit.

CFCs (freons)

CFCs (freons) are sometimes used for washing printed circuit boards. CFCs break down ozone and thereby damage the ozone layer in the stratosphere, causing increased reception on Earth of ultraviolet light with consequent increased risks of skin cancer (malignant melanoma).

The relevant TCO'99 requirement; Neither CFCs nor HCFCs may be used during the manufacturing and assembly of the product or its packaging.

*Bio-accumulative is defined as substances which accumulate within living organisms.

**Lead, Cadmium and Mercury are heavy metals which are Bio-accumulative.

To obtain complete information on the environmental criteria document, order from:

TCO Development Unit

SE-114 94 Stockholm

SWEDEN

FAX Number: +46 8 782 92 07

E-mail (Internet): development@tco.se

You may also obtain current information on TCO'99 approved and labelled products by visiting their website at: <http://www.tcodevelopment.com/>

TCO Development



Congratulations!

The display you have just purchased carries the TCO'03 Displays label. This means that your display is designed, manufactured and tested according to some of the strictest quality and environmental requirements in the world. This makes for a high performance product, designed with the user in focus that also minimizes the impact on our natural environment.

Some of the features of the TCO'03 Display requirements:

Ergonomics

- Good visual ergonomics and image quality in order to improve the working environment for the user and to reduce sight and strain problems. Important parameters are luminance, contrast, resolution, reflectance, colour rendition and image stability.

Energy

- Energy-saving mode after a certain time – beneficial both for the user and the environment
- Electrical safety

Emissions

- Electromagnetic fields
- Noise emissions

Ecology

- The product must be prepared for recycling and the manufacturer must have a certified environmental management system such as EMAS or ISO 14 001
- Restrictions on:
 - chlorinated and brominated flame retardants and polymers
 - heavy metals such as cadmium, mercury and lead.

The requirements included in this label have been developed by TCO Development in co-operation with scientists, experts, users as well as manufacturers all over the world. Since the end of the 1980s TCO has been involved in influencing the development of IT equipment in a more user-friendly direction. Our labelling system started with displays in 1992 and is now requested by users and IT-manufacturers all over the world.

For more information, please visit
www.tcodevelopment.com

Manufacturer's Recycling and Energy Information

NEC DISPLAY SOLUTIONS is strongly committed to environmental protection and sees recycling as one of the company's top priorities in trying to minimize the burden placed on the environment. We are engaged in developing environmentally-friendly products, and always strive to help define and comply with the latest independent standards from agencies such as ISO (International Organization for Standardization) and TCO (Swedish Trades Union). For more information, and for help in recycling your old NEC monitors, please visit our website at:

USA: <http://www.necdisplay.com>

Europe: <http://www.nec-display-solutions.com>

Japan: <http://www.nec-display.com>

Country-specific recycling programmes can also be found at:

Sweden - <http://www.el-retur.se>

Germany - <http://www.recyclingpartner.de/>

Holland - <http://www.mirec.nl/>

Japan - <http://www.diarcs.com/>

Energy saving:

This monitor features an advanced energy saving capability. When a VESA Display Power Management (DPM) Standard signal is sent to the monitor, the Energy Saving mode is activated. The monitor enters a single Energy Saving mode.

Mode	Power consumption	LED color
Normal Operation	Approx. 36W (LCD1970V) Approx. 36W (LCD1970VX) Approx. 52W (LCD1970NX)	Green
Energy Saving Mode	Less than 2W (LCD1970V) Less than 2W (LCD1970VX) Less than 4W (LCD1970NX)	Amber
Off Mode	Less than 1W(LCD1970V) Less than 1W(LCD1970VX) Less than 2W(LCD1970NX)	Unlit

Declaration of the Manufacturer

We hereby certify that the color monitor
MultiSync® LCD1970V™ (L194RK),
MultiSync LCD1970VX™ (L194RK) and
MultiSync® LCD1970NX™ (L194RH) are
in compliance with
Council Directive 73/23/EEC:
– EN 60950-1

Council Directive 89/336/EEC:
– EN 55022
– EN 61000-3-2
– EN 61000-3-3
– EN 55024

and marked with



NEC Display Solutions, Ltd.
4-13-23, Shibaura, Minato-Ku
Tokyo 108-0023, Japan

Disposing of your old NEC product



Within the European Union

EU-wide legislation, as implemented in each Member State, requires that waste electrical and electronic products carrying the mark (left) must be disposed of separately from normal household waste. This includes monitors and electrical accessories, such as signal cables or power cords. When you need to dispose of your NEC display products, please follow the guidance of your local authority, or ask the shop where you purchased the product, or if applicable, follow any agreements made between yourself and NEC.

The mark on electrical and electronic products only applies to the current European Union Member States.

Outside the European Union

If you wish to dispose of used electrical and electronic products outside the European Union, please contact your local authority so as to comply with the correct disposal method.



AVERTISSEMENT



AFIN D'ÉVITER TOUT RISQUE D'INCENDIE OU D'ÉLECTROCUTION, NE PAS EXPOSER CET APPAREIL À LA PLUIE OU À L'HUMIDITÉ. NE PAS UTILISER LA FICHE D'ALIMENTATION POLARISÉE AVEC UNE PRISE DE CORDON DE RALLONGE OU AUTRE PRISE SAUF SI LES BROCHES PEUVENT ÊTRE ENTIÈREMENT INTRODUITES. NE PAS OUVRIR LE BOÎTIER, LEQUEL CONTIENT DES COMPOSANTS À HAUTE TENSION. CONFIER TOUS TRAVAUX À DU PERSONNEL TECHNIQUE QUALIFIÉ.



ATTENTION



RISQUE DE DÉCHARGE ÉLECTRIQUE • NE PAS OUVRIR

ATTENTION : POUR ÉVITER TOUT RISQUE D'ÉLECTROCUTION, NE PAS OUVRIR LE COUVERCLE (L'ARRIÈRE). À L'INTÉRIEUR, AUCUNE PIÈCE NE NÉCESSITE L'INTERVENTION DE L'UTILISATEUR. EN CAS DE PROBLÈME, S'ADRESSER À DU PERSONNEL TECHNIQUE QUALIFIÉ.



Ce symbole est une mise en garde contre les risques d'électrocution que présentent certaines parties dépourvues d'isolation à l'intérieur de l'appareil. Il est donc dangereux d'établir le moindre contact avec ces parties.



Ce symbole prévient l'utilisateur que des directives d'utilisation et de maintenance de cet appareil sont fournies avec ce guide d'utilisateur. Par conséquent, celles-ci doivent être lues attentivement pour éviter tout incident.

Déclaration de conformité - Département des Communications du Canada

DOC : Cet appareil numérique de classe B respecte toutes les exigences du Règlement sur le matériel à l'origine d'interférences du Canada.

C-UL : Ce produit porte la marque «C-UL» et est conforme aux règlements de sécurité canadiens selon CAN/CSA C22.2 No. 60950-1.

Informations FCC

1. Utiliser les câbles spécifiés fournis avec le moniteur couleur MultiSync® LCD1970V™ (L194RK), LCD1970VX™ (L194RK) ou LCD1970NX™ (L194RH) afin de ne pas provoquer d'interférences avec la réception radio et télévision.

(1) Prière d'utiliser le câble d'alimentation fourni ou équivalent pour assurer la conformité FCC.

(2) Veuillez utiliser le câble de signal vidéo blindé fourni. Utilisez les câbles USB à tores magnétiques fournis.

L'utilisation d'autres câbles et adaptateurs peut provoquer des interférences avec la réception radio et télévision.

2. Cet appareil a été testé et s'avère conforme avec les spécifications d'équipements de Classe B, section 15 de la réglementation FCC. Ces spécifications ont été établies pour garantir une protection raisonnable contre les interférences nuisibles dans une installation résidentielle. Cet appareil génère, utilise et peut émettre des fréquences radio et, s'il n'est pas installé et utilisé selon les directives de ce guide, il peut perturber les communications radio. Cependant, il n'est pas garanti qu'aucune interférence ne se produira dans une installation donnée.

Si cet appareil provoque des interférences nuisibles à la réception radio ou télévision, ce que vous pouvez déterminer en allumant et en éteignant l'appareil, essayez de remédier au problème en prenant une ou plusieurs des mesures suivantes :

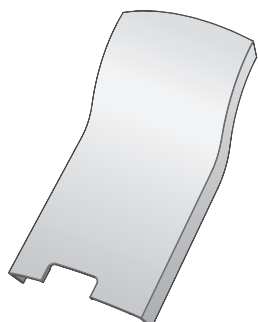
- Réorienter ou repositionner l'antenne de réception.
- Augmenter la distance entre l'appareil et le récepteur.
- Connecter l'appareil à une prise de courant sur un circuit différent de celui sur lequel le récepteur est connecté.
- Consulter son revendeur ou un technicien radio/TV pour obtenir de l'aide.

Si nécessaire, l'utilisateur doit contacter le revendeur ou un technicien radio/TV afin d'obtenir des informations supplémentaires. L'utilisateur peut se procurer le livret utile suivant, préparé par la Federal Communications Commission : «How to Identify and Resolve Radio-TV Interference Problems» (Comment cerner et résoudre les problèmes d'interférences radio/TV). Ce livret est disponible auprès du U.S. Government Printing Office, Washington, D.C., 20402, Stock No. 004-000-00345-4.

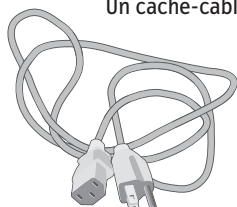
Contenu

La boîte* de votre nouveau moniteur NEC MultiSync® contient :

- Moniteur MultiSync LCD1970V, LCD1970VX ou LCD1970NX avec sa base ajustable en hauteur
- Cordon d'alimentation
- Câble d'USB (NX seulement)
- Câble pour le signal vidéo (Mini D-SUB mâle 15 broches vers D-SUB)
- Câble pour le signal vidéo (Câble DVI-D vers DVI-D) (NX ou VX seulement)
- Manuel de l'utilisateur
- Un cache-câbles



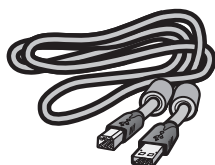
Un cache-câbles



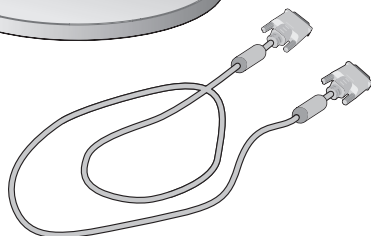
Cordon d'alimentation



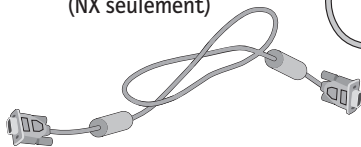
Manuel de l'utilisateur



Câble d'USB
(NX seulement)



Câble d'audio
(NX ou VX seulement)



Câble pour le signal vidéo

* Ne pas oublier de conserver la boîte et le matériel d'emballage d'origine pour transporter ou expédier le moniteur.

Configuration de l'affichage

Suivez ces instructions pour fixer le moniteur ACL MultiSync® à votre système:

1. Mettez votre ordinateur hors tension.
2. Pour le MAC ou le PC avec sortie numérique DVI (NX ou VX seulement): Branchez le câble de signal DVI au connecteur de la carte d'écran de votre système (**Figure 1**). Serrez toutes les vis avant de continuer.
Pour le PC avec sortie analogique: Branchez le mini D-SUB à 15 broches du câble de signal au connecteur de la carte d'écran de votre système (**Figure 2**). Serrez toutes les vis.
Pour une configuration MAC: Branchez l'adaptateur de câble Macintosh à l'ordinateur, puis fixez le mini D-SUB à 15 broches du câble de signal à l'adaptateur de câble Macintosh (**Figure 3**). Serrez toutes les vis.

REMARQUE: Pour vous procurer l'adaptateur de câble Macintosh MultiSync, contactez NEC Display Solutions of America, Inc. au 1-800-632-4662.

3. Placez les mains de chaque côté du moniteur pour incliner l'écran ACL dans un angle de 30 degrés tout en le soulevant dans sa position la plus haute (**Figure 4**).
4. Branchez tous les câbles dans les connecteurs appropriés (**Figure 4**). A l'aide du câble USB, connectez le connecteur de type B sur le port amont USB sur le côté inférieur du moniteur et le connecteur de type A sur le port aval sur l'ordinateur (**Figure 4-1**). Si vous utilisez le cordon du périphérique USB, utilisez l'un des ports aval sur le côté du moniteur.
REMARQUE: Si vous branchez les deux câbles DVI et D-sub, le câble DVI doit être branché tout près de la nervure sur le côté du cordon d'alimentation (Figure 4**).**
5. Pour une gestion des câbles réussie, placez les câbles dans cet ordre dans la gestion de câbles: câble d'alimentation et câble DVI (**Figure 5**).
6. Placez le câble DVI, le câble d'alimentation dans les crochets spécifiques indiqués dans la (**Figure 6**).
7. Placez le câble D-Sub et le câble USB (NX seulement) dans les crochets spécifiques indiqués dans la (**Figure 7**).
8. Assurez-vous que tous les câbles sont placés à plat contre le support (**Figure 7**).
9. Tenez les câbles fermement et placez la gaine de câble sur le support (**Figure 8**). Pour enlever la gaine de câble, soulevez le gaine tel qu'indiqué à la (**Figure 9**).
10. Branchez le cordon d'alimentation à la prise d'alimentation (**Figure 11**).

REMARQUE: Si vous avez la difficulté d'enlever la couverture de câble, soulevez svp la la couverture (vers le dessus du moniteur) afin de décrocher la couverture du stand, alors l'enlever, comme montré dedans (Figure 10**). Manipulez avec soin en enlevant la couverture de câble.**

REMARQUE: Si vous utilisez ce moniteur à 125 CA-240 V, veuillez vous reporter à la section Utilisation recommandée de ce manuel pour sélectionner le cordon d'alimentation approprié.

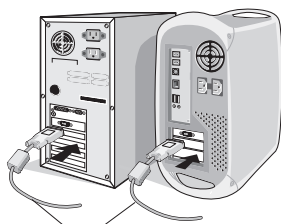
11. Le commutateur de veille à l'arrière du moniteur doit être mis sous tension (**Figure 11**). Mettez le moniteur avec le bouton de mise en marche frontal et l'ordinateur sous tension.
REMARQUE: Le commutateur de veille est un réel commutateur de mise sous/hors tension. Si ce commutateur est en position OFF (Arrêt), le moniteur ne peut être mis sous tension avec le bouton frontal. NE mettez PAS le moniteur sous et hors tension de façon répétitive.
12. Entrée analogique seulement: Le réglage automatique sans touche règle automatiquement le moniteur à la mise au point de l'image optimale après mise sous tension initiale pour la plupart des synchronisations. Pour des ajustements supplémentaires, utilisez les commandes OSM® suivantes:
 - Réglage automatique de contraste
 - Réglage automatiqueRéférez-vous à la section des commandes de ce manuel de l'utilisateur pour une description complète de ces commandes OSM.

REMARQUE: Pour de l'information sur le téléchargement du fichier INF de Windows® 95/98/Me/2000/XP pour votre moniteur, référez-vous à la section Références de ce manuel de l'utilisateur.

REMARQUE: Si vous rencontrez des problèmes, veuillez consulter la section Dépannage dans ce manuel de l'utilisateur.

Configuration de l'affichage (suite)

Figure 1

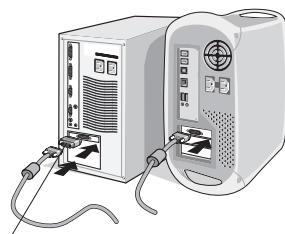


DVI Signal cable
(NX ou VX seulement)

Figure 2

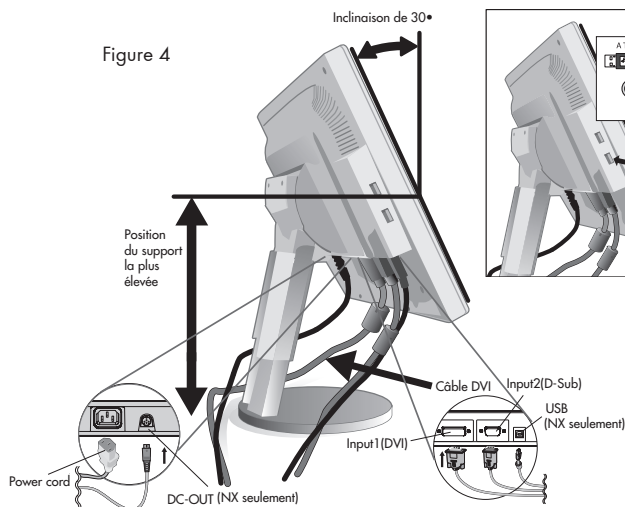


Figure 3



Adaptateur de câble (non fourni)
Remarque: Certains systèmes
Macintosh ne nécessitent pas un
adaptateur de câble Macintosh.

Figure 4



Fixation de produit NEC en option.
N'utilisez pas ce connecteur sauf indication contraire.

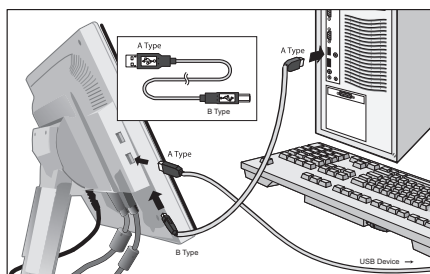


Figure 4-1

Figure 5

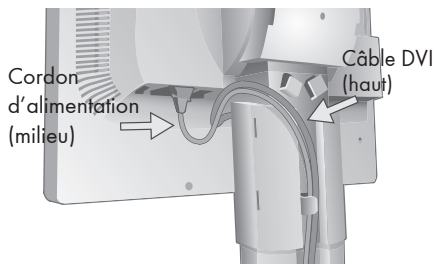
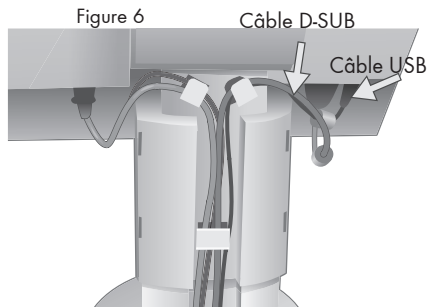


Figure 6



Configuration de l'affichage (suite)

Figure 7

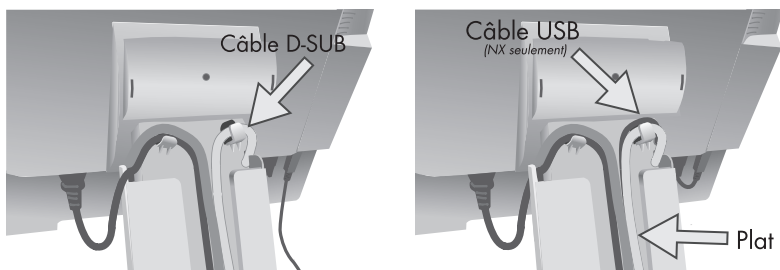


Figure 8

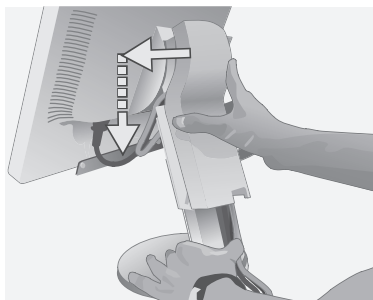


Figure 9

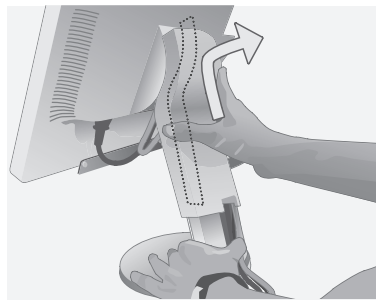


Figure 11

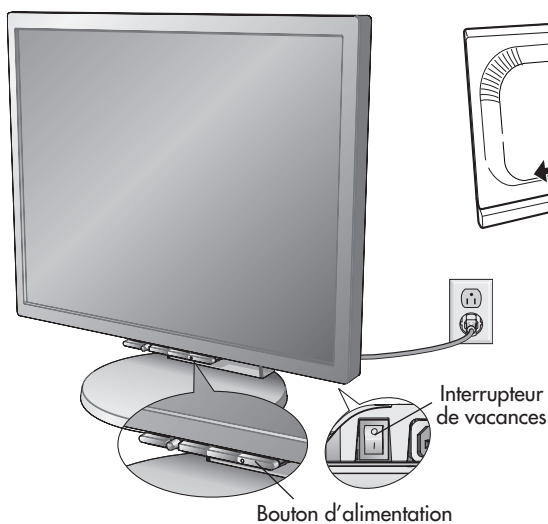
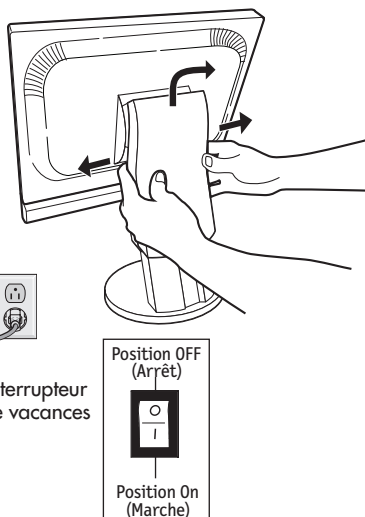


Figure 10



Configuration de l'affichage (suite)

Levez et baissez l'écran du moniteur

Le moniteur peut être élevé ou abaissé. Pour élever ou abaisser l'écran, placez les mains de chaque côté du moniteur et situez-le à la hauteur de votre choix (**Figure RL.1**).

REMARQUE: Manipulez sur soin quand augmentant ou l'écran diminuant écran.

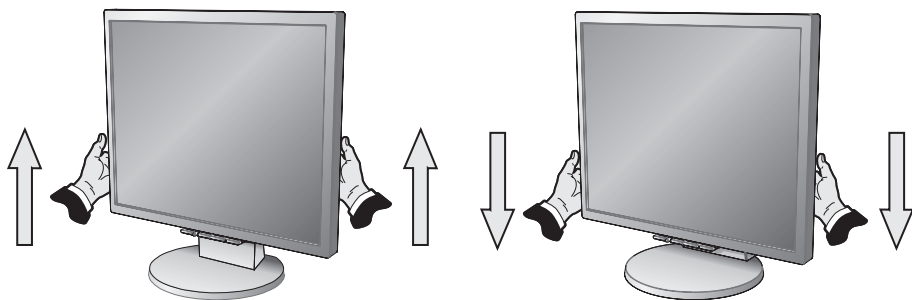


Figure RL.1

Inclinaison et pivotement

Maintenez les deux côtés du moniteur, puis ajustez l'inclinaison et l'orientation à votre convenance (**Figure TS.1**).

REMARQUE: Prenez des précautions lorsque vous inclinez ou basculez l'écran du moniteur.

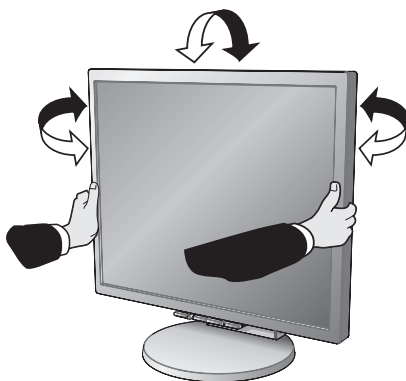


Figure TS.1

Montage

Enlevez le support du moniteur pour le montage

Pour préparer le moniteur à des fins de montage différents :

1. Placez les mains de chaque côté du moniteur en le soulevant dans sa position la plus haute. Enlevez la gaine de câble (Figure M.1).

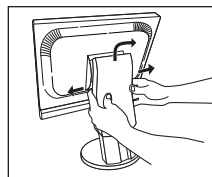
REMARQUE: Si vous avez la difficulté enlever la couverture de câble, soulevez svp la la couverture (vers le dessus du moniteur) afin de décrocher la couverture du stand, alors l'enlever, comme montré dedans (Figure). Manipulez avec soin en enlevant la couverture de câble.

2. Débranchez tous les câbles.
3. Placez le moniteur avec l'écran vers le bas sur une surface non abrasive (Figure M.2).

REMARQUE: Lors de manipulation du moniteur, le maintenir avec la face dirigée vers le bas pour éviter d'endommager les boutons.

4. Ôtez les 2 vis qui fixent le support au moniteur (Figure M.2).
5. Soulevez le support pour déclencher les crochets supérieurs et enlevez le support (Figure M.3).
6. Ôtez les 2 vis sur le dessus du moniteur (Figure M.4). Le moniteur est maintenant prêt à être monté de façon différente.
7. Branchez les câbles à l'arrière du moniteur.
8. Inversez ce processus pour remettre le support en place

REMARQUE: N'utilisez que la méthode de montage alternative compatible VESA. Prenez des précautions pour ôter le support du moniteur.



Figure

Figure M.1

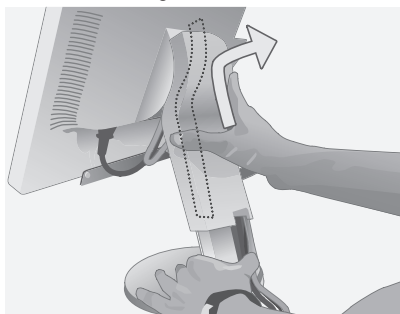


Figure M.3

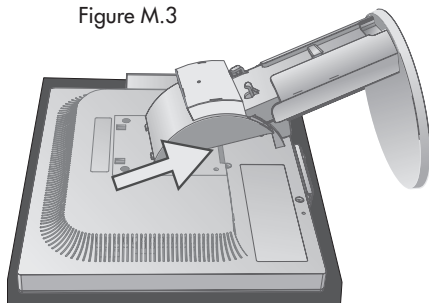


Figure M.2

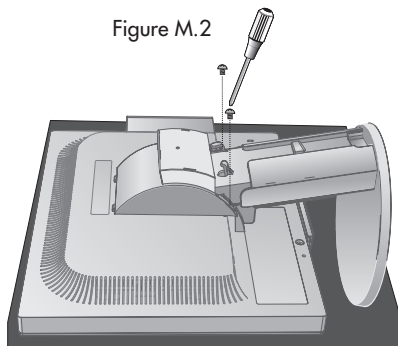
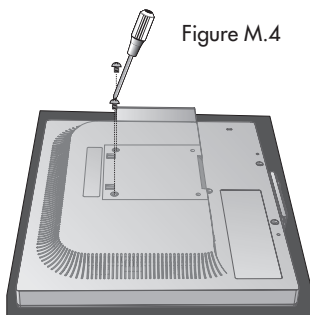


Figure M.4



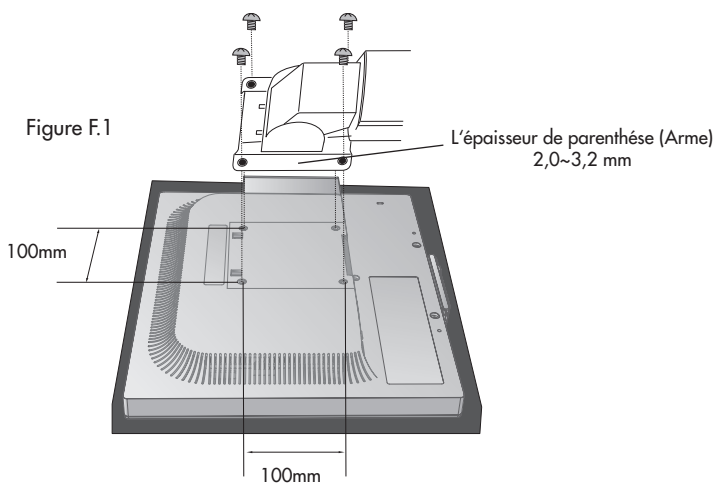
Installation du bras flexible

Installation du bras flexible

Ce moniteur ACL est conçu pour une utilisation avec un bras flexible. Pour fixer le moniteur à un bras flexible:

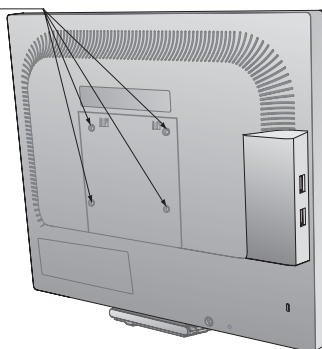
1. Suivez les instructions sur comment enlever le support de moniteur pour le montage afin d'enlever le support.
2. Utilisez les 4 vis provenant du retrait du support pour fixer le bras au moniteur (Figure F.1).

REMARQUE: Le moniteur ACL ne doit être utilisé qu'avec un bras homologué (par ex. de marque GS). Afin de répondre aux exigences relatives à la sécurité, le moniteur doit être monté sur un bras qui garantit la stabilité nécessaire en tenant compte du poids du moniteur.



4 Vis (4M)

(MAX depth: 8,5 mm)



Poids de l'assemblage du LCD:
4,9kg MAXI. (LCD1970V)
4,9kg MAXI. (LCD1970VX)
5,4kg MAXI. (LCD1970NX)

Commandes

Les boutons de réglage OSM® situés sur l'avant du moniteur fournissent les fonctions suivantes :

Pour accéder au menu OSM, appuyez sur une des touches de commande (MENU/EXIT, Left, Right, Down, Up).

Pour changer l'entrée du signal, appuyez sur le bouton SELECT (NX ou VX seulement).

REMARQUE: Le menu OSM doit être fermé pour pouvoir modifier le signal d'entrée.

Bouton	Menu principal
MENU/EXIT	Quitte les commandes OSM. Revient au menu principal OSM.
Left/Right	Déplace la zone en surbrillance vers la gauche ou la droite pour choisir un menu de commande. Déplace la barre vers la gauche ou la droite pour augmenter ou diminuer le réglage.
Down/Up	Déplace la zone en surbrillance vers le haut ou vers le bas pour choisir l'une des commandes.
SELECT	Active la fonction de réglage automatique. Entrez le sous-menu de OSM.
RESET	Réinitialise le menu de commandes en surbrillance aux réglages d'usine.

NOTA : En appuyant sur le bouton RESET dans un menu ou dans un sous-menu, une fenêtre s'affiche vous permettant d'annuler la fonction RESET en appuyant sur le bouton MENU/EXIT.



Commandes de luminosité et contraste

LUMINOSITÉ

Règle la luminosité de l'image générale et de l'écran d'arrière-plan.

CONTRASTE

Règle la luminosité de l'image par rapport à l'arrière-plan.

DV MODE (NX ou VX seulement)

Permet de sélectionner le réglage approprié pour film, image etc.

CONTRASTE AUTO. (Entée analogique seulement)

Ajuste l'image affichée au niveau optimal.



Réglage automatique (Entée analogique seulement)

Ajuste automatiquement la position de l'image et les paramètres de la taille H (ou la taille V) et les paramètres de précision.



Commandes de image (Entée analogique seulement)

GAUCHE/DROITE

Contrôle la position horizontale de l'image dans la zone d'affichage du LCD.

BAS/HAUT

Contrôle la position verticale de l'image dans la zone d'affichage du LCD.

HAUTEUR

Corrige automatiquement la position horizontale et verticale dans la zone d'affichage du LCD.

FINESSE

Améliore la mise au point, la netteté et la stabilité de l'image en augmentant ou en diminuant la valeur Fin.

Commandes (suite)



Système de contrôle des couleurs AccuColor®

Six couleurs pré-réglées sélectionnent la couleur désirée en réglant (sRGB et NATIVE couleur pré-réglée) les paramètres standards et ne peuvent pas être transformés). R, V, B: Augmente ou diminue le niveau des couleurs rouge, vert ou bleu, suivant celui qui a été sélectionné. Le changement de couleur apparaît à l'écran et le sens (augmentation ou diminution) est indiqué par les barres de couleur. Native: Original couleur présentée par le LCD panel qui est non ajustable.

sRGB: améliore dramatiquement la fidélité des couleurs dans l'environnement desktop qu'un RGB par défaut standard des couleurs de l'espace. Sur cette couleur soutenue de l'environnement, l'exploitant peut facilement et confidentiellement communiquer les couleurs sans autre moyen que la gestion aérienne dans les situations les plus courantes.



Outils

ARRÊT PROGRAMMATEUR : Le moniteur se mettra automatiquement hors tension lorsque l'utilisateur final a sélectionné une durée prédéterminée.

TOUCHE DE RACCOURCI : Vous pouvez ajuster la luminosité et le contraste directement. Lorsque cette fonction est réglée sur « ON », vous pouvez ajuster la luminosité à l'aide de la commande gauche ou droite et le contraste à l'aide de la commande haut et bas pendant que le menu OSM est éteint.

PRÉ-REGLAGE USINE (FACTORY PRESET) : Le fait de sélectionner le Pré-réglage d'usine vous permet de réinitialiser tous les paramètres de contrôle aux paramètres d'usine. Le bouton de RÉINITIALISATION devra être tenu enfoncé pendant plusieurs secondes avant de fonctionner. Les paramètres individuels peuvent être réinitialisés en mettant la commande à réinitialiser sur surbrillance et en appuyant sur le bouton de RÉINITIALISATION.



Menu Outils

LANGUE : Les menus de commandes OSM sont disponibles en huit langues.

OSM GAUCHE/DROITE : Vous pouvez choisir l'endroit où vous souhaitez que l'image de commandes OSM apparaisse horizontalement à l'écran.

OSM BAS/HAUT : Vous pouvez choisir l'endroit où vous souhaitez que l'image de commandes OSM apparaisse verticalement à l'écran.

EXTINCTION DE L'OSM : Le menu de commandes OSM reste affiché tant qu'il est utilisé. Dans le sous-menu Mise hors tension OSM, vous pouvez sélectionner la durée pendant laquelle le moniteur attend après la dernière pression d'un bouton pour fermer le menu de commandes OSM.

VERROUILLAGE OSM : Cette commande permet de verrouiller l'accès à toutes les fonctions de commandes OSM à l'exception de la luminosité et du contraste. Lorsque vous tentez d'activer les commandes OSM en mode de Verrouillage, un écran apparaîtra indiquant que les commandes OSM sont verrouillées. Pour activer la fonction Verrouillage OSM, appuyez sur SELECT, puis sur la touche de commande de droite en les maintenant enfoncées simultanément. Pour désactiver la fonction Verrouillage OSM, appuyez sur SELECT, puis sur la touche de commande de gauche en les maintenant enfoncées simultanément, tout en restant dans le menu OSM.

NOTIFICAT. RÉOLUTION : La résolution optimale est de 1280 x 1024. Si MARCHÉ est sélectionné, un message apparaît à l'écran après 30 secondes, indiquant que la résolution n'est pas à son niveau optimal de 1280x1024.



Information

Le menu d'information indique le port d'entrée de courant, la résolution de l'écran, la fréquence horizontale et verticale, et le réglage de polarité du moniteur. Les numéros de modèle et de série de votre moniteur sont également indiqués.

Commandes (suite)

Avertissement OSM®:OSM prémunissant menu disparaît sur Exit bouton.

PAS DE SIGNAL:Cette fonctionne vous avertit de l'absence de signal. Après la mise sous tension ou si le signal d'entrée a été changé ou si la vidéo est inactive, la fenêtre **PAS DE SIGNALS'** affiche.

NOTIFICAT RÉOLUTION:Cette fonction vous met en garde contre l'utilisation de la résolution optimale. Après la mise sous tension ou si le signal d'entrée a été changé ou si le signal vidéo ne présente pas la résolution appropriée, la fenêtre **NOTIFICAT SÉOLUTION** window's ouvre.Cette fonction peut être désactivée dans le menu Outils.

HORS LIMITE:Cette fonction recommande la résolution et la fréquence de rafraîchissement optimales. Après la mise sous tension ou si le signal d'entrée a été changé pu si le signal vidéo ne présente pas la synchronisation appropriée, le menu Hors Limite s'affiche.

Usage recommandé

Consignes de sécurité et d'entretien



POUR UN FONCTIONNEMENT OPTIMAL, PRIÈRE DE NOTER CE QUI SUIT POUR LE RÉGLAGE ET L'UTILISATION DU MONITEUR COULEUR MULTISYNC® LCD :



- **NE PAS OUVRIR LE MONITEUR.** Aucune pièce intérieure ne nécessite l'intervention de l'utilisateur, et l'ouverture ou la dépose des couvercles peut entraîner des risques de décharges électriques dangereuses ou d'autres risques. Confier tous travaux à du personnel technique qualifié.
- Ne pas renverser de liquides dans le boîtier, ni utiliser le moniteur près de l'eau.
- Ne pas introduire d'objets de quelque nature que ce soit dans les fentes du boîtier car ceux-ci pourraient toucher des endroits sous tension dangereuse, ce qui peut provoquer des blessures, voire être fatal, ou peut occasionner une décharge électrique, un incendie ou une panne de l'appareil.
- Ne pas placer d'objets lourds sur le cordon d'alimentation. Un cordon endommagé peut occasionner une décharge électrique ou un incendie.
- Ne pas placer cet appareil sur un chariot, un support ou une table inclinée ou instable, afin d'éviter que le moniteur ne tombe, occasionnant de sérieux dommages au moniteur.
- Pour l'utilisation du moniteur MultiSync LCD avec l'alimentation AC mondiale de 125-240 V, utiliser un cordon d'alimentation qui correspond à la tension de l'alimentation fournie à la prise de courant AC. Le cordon d'alimentation utilisé doit être agréé et en conformité avec les normes de sécurité de son pays. (Type H05VV-F à utiliser sauf au Europe.)
- Au R, -U-, utilisez avec ce moniteur un cordon d'alimentation approuvé BS avec fiche moulée d'un fusible noir (5A). Si un cordon d'alimentation n'a pas été fourni avec ce moniteur, veuillez contacter votre fournisseur.
- Ne placer aucun objet sur le moniteur et ne pas l'utiliser en extérieur.
- L'intérieur du tube fluorescent situé dans le moniteur contient du mercure. Pour l'élimination appropriée, observez les règlements en vigueur dans votre région.
- Ne courbe pas le pouvoir du cordon.
- N'utilise pas votre écran dans de hautes températures humides poussiéreuses près d'huile ou.
- Regal toujours glass sur soin.

Débrancher immédiatement le moniteur de la prise murale et confier la réparation à du personnel technique qualifié dans les cas suivants :

- Lorsque le cordon d'alimentation ou la fiche est endommagé(e).
- Si du liquide a été renversé ou des objets sont tombés à l'intérieur du moniteur.
- Si le moniteur a été exposé à la pluie ou à de l'eau.
- Si le moniteur est tombé ou le boîtier est endommagé.
- Si le moniteur ne fonctionne pas normalement en suivant les directives d'utilisation.
- Ne couvre pas l'armoire fente ou usage rayonnai mauvaise chaleur.
- Si écran ou verre est rodé, ne supporter pas ne venir pas touche le liquide crystal et manche sur soin.
 - Prévoir une aération suffisante autour du moniteur pour que la chaleur puisse se dissiper correctement. Ne pas obstruer les ouvertures de ventilation ni placer le moniteur près d'un radiateur ou autre source de chaleur. Ne rien poser sur le moniteur.
 - La fiche du cordon d'alimentation est le moyen principal de débrancher le système de l'alimentation. Le moniteur doit être installé à proximité d'une prise de courant facilement accessible.
 - Manipuler avec soin lors du transport. Conserver l'emballage pour le transport.



Persistence de l'image

Nous vous informons que la technologie LCD peut provoquer un phénomène appelé <<persistence de l'image >> La persistence de l'image se manifeste lorsqu'une image résiduelle ou << fantôme >> d'une image précédemment affichée reste visible sur l'écran. Contrairement aux moniteurs à tube cathodique, la persistence de l'image sur les moniteurs LCD n'est pas permanente, mais l'on doit éviter d'afficher des images immobiles pendant une longue période de temps. Pour remédier à la persistence de l'image, mettez le moniteur hors tension pendant une durée égale à celle de l'affichage de l'image précédemment affichée. Par exemple, si une image est restée affichée sur l'écran pendant une heure et qu'il reste une image résiduelle, le moniteur doit être mis hors tension pendant une heure pour effacer l'image. Comme pour tous les équipements d'affichage personnels, NEC DISPLAY SOLUTIONS recommande d'afficher des images animées et d'utiliser à intervalles réguliers un économiseur d'écran animé chaque fois que l'écran est en veille, ou d'éteindre le moniteur lorsqu'il n'est pas utilisé.

Usage recommandé (suite)



LA MODIFICATION DE LA POSITION ET DU RÉGLAGE DU MONITEUR PEUT RÉDUIRE LA FATIGUE DES YEUX, DES ÉPAULES ET DE LA NUQUE. OBSERVER LES DIRECTIVES CI-APRÈS LORS DU POSITIONNEMENT DU MONITEUR :



- Pour une performance optimale, laissez le moniteur se réchauffer pendant 20 minutes.
- Régler la hauteur du moniteur de sorte que le dessus de l'écran soit au niveau ou légèrement en-dessous du niveau des yeux. Les yeux doivent regarder légèrement vers le bas lorsque l'on regarde le milieu de l'écran.
- Positionner le moniteur à une distance minimale de 40 cm (16 po) et maximale de 70 cm (28 po) des yeux. La distance optimale est de 50 cm (20 po).
- Reposer ses yeux régulièrement en regardant vers un objet situé à au moins 6 m (20 pieds). Cligner régulièrement.
- Positionner le moniteur à un angle de 90° par rapport aux fenêtres et autres sources de lumière, afin de réduire au maximum les reflets et l'éblouissement. Régler l'inclinaison du moniteur de sorte que l'éclairage du plafond ne soit pas reflété sur l'écran.
- Si une lumière réfléchie rend la vision de l'écran difficile, utiliser un filtre anti-reflet.
- Régler les commandes de luminosité et de contraste du moniteur pour améliorer la lisibilité.
- Utiliser un support de document placé près de l'écran.
- Positionner ce que l'on regarde le plus souvent (l'écran ou les documents de référence) directement devant soi pour réduire au maximum les mouvements de la tête lorsque l'on dactylographie.
- Consulter régulièrement un ophtalmologiste.



Ergonomie

Pour optimiser les avantages ergonomiques, observez les directives suivantes :

- Utiliser les commandes de format et position préprogrammées avec signaux standard .
- Utiliser le réglage couleur et les commandes gauche/droite préprogrammés.
- Utiliser des signaux non entrelacés avec fréquence de rafraîchissement vertical de 60 à 75 Hz.
- Ne pas utiliser la couleur bleu primaire sur fond foncé car cela rend la lecture difficile et peut occasionner de la fatigue oculaire en raison de contraste insuffisant.

Pour des informations plus détaillées sur l'établissement d'un environnement de travail sain, écrire à American National Standard for Human Factors Engineering of Visual Display Terminal Workstations - ANSI-HFS Standard No. 100-1988 - The Human Factors Society, Inc. P.O. Box 1369, Santa Monica, California 90406.

Nettoyage de l'écran ACL

- Lorsque l'écran à cristaux liquides est tâché avec de la poussière ou de la saleté, veuillez essuyer la surface doucement avec un chiffon doux.
- Ne frottez pas l'écran ACL avec un matériel rigide.
- N'exercez pas de pression sur le panneau ACL.

Usage recommandé (suite)

- Veuillez ne pas utiliser du nettoyant OA parce qu'il causera une détérioration ou une décoloration sur la surface ACL.

Nettoyage du coffret

- Débranchez la source d'alimentation.
- Essuyez délicatement le coffret avec un chiffon doux.
- Pour nettoyer le coffret, humidifiez le chiffon avec un détergent neutre et de l'eau, essuyez-le et continuez avec un chiffon sec.

REMARQUE: De nombreux plastiques sont utilisés sur la surface du coffret. N'utilisez PAS de benzène, de diluant, de détergent alcalin, de détergent de système à base d'alcool, de produit nettoyant pour vitres, de cire, de nettoyant pour vernis, de poudre de savon ou d'insecticide. Ne touchez pas le coffret avec du caoutchouc ou du vinyle pendant une longue période. Ces types de liquides ou de matériaux peuvent détériorer, fissurer ou peler la peinture.

Fiche technique

Caracté. techn. du moniteur	Moniteur MultiSync LCD1970V	Remarques
Module LCD	Diagonale : 19,0 po Surface utile : 19,0 po Résolution (nombre de pixels) : 1280 x 1024	Matrice active; transistor à film fin (TFT); affichage à cristaux liquides (LCD); pas 0,294 mm; luminance blanche 250cd/m ² ; taux de contraste caractéristique 450:1.
Signal d'entrée	Vidéo : ANALOGIQUE 0,7 Vp-p/75 Ohms Sync : Synchro séparée niveau TTL Positif/négatif sync. horizontale Positif/négatif sync. verticale Sync. composite (positif/négatif)(niveau TTL) Synchro sur le vert (positive) 0,7 Vp-p et négative 0,3 Vp-p	
Couleurs d'affichage	16.777.216	Dépend de la carte vidéo et synchronisation utilisée.
Angles de visionnement maximal	Gauche/Droite : 80°/80° (CR>5) Haut/Bas : 80°/80° (CR>5)	
Gamme de synchronisation	Horizontale : 31,5 kHz à 81,1 kHz Verticale : 56,0 Hz à 75,0 Hz	Automatique Automatique
Résolutions acceptées	720 x 400*1 :texte VGA 640 x 480*1 @ 60 Hz à 75 Hz 800 x 600*1 @ 56 Hz à 75 Hz 832 x 624*1 @ 75 Hz 1024 x 768*1 @ 60 Hz à 75 Hz 1152 x 870*1 @ 75 Hz 1280 x 1024 @ 60 Hz à 75 Hz	Certains systèmes peuvent ne pas prendre en charge tous les modes listés. NEC DISPLAY SOLUTIONS recommande une résolution à 60 Hz pour des performances d'affichage optimales et couleurs.
Zone d'affichage active	Horizontale : 376,3 mm/14,8 pouces Verticale : 301,1 mm/11,9 pouces	
Alimentation	100 – 240 V~ 50/60 Hz	
Tension d'alimentation	0,65 – 0,35A	
Dimensions	412,5 mm (L) x 386,5-496,5 mm (H) x 220,0 mm (P) 16,2 pouces (L) x 15,2-19,5 pouces (H) x 8,7 pouces (P)	
Poids	7,6 kg 16,8 livres	
Considérations environnementales	Température de fonctionnement : 5 °C à +35 °C/41 °F à 95 °F Humidité : 30 % à 80 % Altitude : 0 à 10.000 pieds Température de stockage : -10 °C à +60 °C/14 °F à 140 °F Humidité : 10 % à 85 % Altitude : 0 à 30.000 pieds	

*1 Résolutions interpolées : Quand les résolutions affichées sont inférieures au nombre de pixels du module LCD, le texte peut apparaître craquelé et les lignes plus épaisses. Ceci est normal et nécessaire pour toutes les technologies d'affichage sur panneaux plats pour lesquels chaque point de l'écran occupe réellement un pixel. Pour agrandir la résolution à celle du plein écran, une interpolation mathématique de celle-ci est nécessaire. Quand cette résolution interpolée ne correspond pas exactement à un multiple entier de la résolution d'origine, la nécessaire interpolation mathématique peut faire que certaines lignes apparaissent plus épaisses que d'autres.

NOTA : Les spécifications techniques sont susceptibles d'être modifiées sans préavis.

Fiche technique (suite)

Caracté. techn. du moniteur	Moniteur MultiSync LCD1970VX	Remarques
Module LCD	Diagonale : 19,0 po Surface utile : 19,0 po Résolution (nombre de pixels) : 1280 x 1024	Matrice active; transistor à film fin (TFT); affichage à cristaux liquides (LCD); pas 0,294 mm; luminance blanche 250cd/m ² ; taux de contraste caractéristique 450:1.
Signal d'entrée	Vidéo : ANALOGIQUE 0,7 Vp-p/75 Ohms Sync : Synchro séparée niveau TTL Positif/négatif sync. horizontale Positif/négatif sync. verticale Sync. composite (positif/négatif)(niveau TTL) Synchro sur le vert (positive) 0,7 Vp-p et négative 0,3 Vp-p	Entrée numérique: DVI
Couleurs d'affichage	16.777.216	Dépend de la carte vidéo et synchronisation utilisée.
Angles de visionnement maximal	Gauche/Droite : 80°/80° (CR<5) Haut/Bas : 80°/80° (CR>5)	
Gamme de synchronisation	Horizontale : 31,5 kHz à 81,1 kHz Verticale : 56,0 Hz à 75,0 Hz	Automatique Automatique
Résolutions acceptées	720 x 400*1 :texte VGA 640 x 480*1 @ 60 Hz à 75 Hz 800 x 600*1 @ 56 Hz à 75 Hz 832 x 624*1 @ 75 Hz 1024 x 768*1 @ 60 Hz à 75 Hz 1152 x 870*1 @ 75 Hz 1280 x 1024 @ 60 Hz à 75 Hz	Certains systèmes peuvent ne pas prendre en charge tous les modes listés. NEC DISPLAY SOLUTIONS recommande une résolution à 60 Hz pour des performances d'affichage optimales et couleurs.
Zone d'affichage active	Horizontale : 376,3 mm/14,8 pouces Verticale : 301,1 mm/11,9 pouces	
Alimentation	100 – 240 V~ 50/60 Hz	
Tension d'alimentation	0,65 – 0,35A	
Dimensions	412,5 mm (L) x 386,5-496,5 mm (H) x 220,0 mm (P) 16,2 pouces (L) x 15,2-19,5 pouces (H) x 8,7 pouces (P)	
Poids	7,6 kg 16,8 livres	
Considérations environnementales	Température de fonctionnement : 5 °C à +35 °C/41 °F à 95 °F Humidité : 30 % à 80 % Altitude : 0 à 10.000 pieds Température de stockage : -10 °C à +60 °C/14 °F à 140 °F Humidité : 10 % à 85 % Altitude : 0 à 30.000 pieds	

*1 Résolutions interpolées : Quand les résolutions affichées sont inférieures au nombre de pixels du module LCD, le texte peut apparaître craquelé et les lignes plus épaisses. Ceci est normal et nécessaire pour toutes les technologies d'affichage sur panneaux plats pour lesquels chaque point de l'écran occupe réellement un pixel. Pour agrandir la résolution à celle du plein écran, une interpolation mathématique de celle-ci est nécessaire. Quand cette résolution interpolée ne correspond pas exactement à un multiple entier de la résolution d'origine, la nécessaire interpolation mathématique peut faire que certaines lignes apparaissent plus épaisses que d'autres.

NOTA : Les spécifications techniques sont susceptibles d'être modifiées sans préavis.

Fiche technique (suite)

Caracté. techn. du moniteur	Moniteur	Remarques
Module LCD	Diagonale : 19,0 po Surface utile : 19,0 po Résolution (nombre de pixels) : 1280 x 1024	Matrice active; transistor à film fin (TFT); affichage à cristaux liquides (LCD); pas 0,294 mm; luminance blanche 230cd/m ² ; taux de contraste caractéristique 800:1.
Signal d'entrée	Vidéo : ANALOGIQUE 0,7 Vp-p/75 Ohms Sync : Synchro séparée niveau TTL. Positif/négatif sync. horizontale Positif/négatif sync. verticale Sync. composite (positif/négatif)(niveau TTL) Synchro sur le vert (positive) 0,7 Vp-p et négative 0,3 Vp-p	Entrée numérique: DVI
Couleurs d'affichage	16.777.216	Dépend de la carte vidéo et synchronisation utilisée.
Angles de visionnement maximal	Gauche/Droite : 88°/88° (CR>10) Haut/Bas : 88°/88° (CR>10)	
Gamme de synchronisation	Horizontale : 31,5 kHz à 81,1 kHz Verticale : 56,0 Hz à 75,0 Hz	Automatique Automatique
Résolutions acceptées	720 x 400*1 : texte VGA 640 x 480*1 @ 60 Hz à 75 Hz 800 x 600*1 @ 56 Hz à 75 Hz 832 x 624*1 @ 75 Hz 1024 x 768*1 @ 60 Hz à 75 Hz 1152 x 870*1 @ 75 Hz 1280 x 1024 @ 60 Hz à 75 Hz	Certains systèmes peuvent ne pas prendre en charge tous les modes listés. NEC DISPLAY SOLUTIONS recommande une résolution à 60 Hz pour des performances d'affichage optimales et couleurs.
Zone d'affichage active	Horizontale : 376,3 mm/14,8 pouces Verticale : 301,1 mm/11,9 pouces	
Concentrateur USB	I/P: Révision 2.0 de spécification USB Port: En amont 1 En aval 4 Courant en charge: Maximum 0,5 A par port	
Alimentation	100 - 240 V~ 50/60 Hz	
Tension d'alimentation	1,2 - 0,6A	
Dimensions	412,5 mm (L) x 386,5-496,5 mm (H) x 220,0 mm (P) 16,2 pouces (L) x 15,2-19,5 pouces (H) x 8,7 pouces (P)	
Poids	8,1 kg 17,9 livres	
Considérations environnementales	Température de fonctionnement : 5 °C à +35 °C/41 °F à 95 °F Humidité : 30 % à 80 % Altitude : 0 à 10.000 pieds Température de stockage : -10 °C à +60 °C/14 °F à 140 °F Humidité : 10 % à 85 % Altitude : 0 à 40.000 pieds	

*1 Résolutions interpolées : Quand les résolutions affichées sont inférieures au nombre de pixels du module LCD, le texte peut apparaître craquelé et les lignes plus épaisses. Ceci est normal et nécessaire pour toutes les technologies d'affichage sur panneaux plats pour lesquels chaque point de l'écran occupe réellement un pixel. Pour agrandir la résolution à celle du plein écran, une interpolation mathématique de celle-ci est nécessaire. Quand cette résolution interpolée ne correspond pas exactement à un multiple entier de la résolution d'origine, la nécessaire interpolation mathématique peut faire que certaines lignes apparaissent plus épaisses que d'autres.

NOTA : Les spécifications techniques sont susceptibles d'être modifiées sans préavis.

Fonctions

Le design à mince encadrement vous permet de libérer davantage d'espace pour travailler et jouer, alors que les images brillantes et éclatantes et le texte aussi clair que du cristal de l'écran plat vous offrent une expérience de visionnement incomparable.

La fonction avancée Réglage automatique sans touche offre des réglages d'image optimaux dès la mise sous tension initiale.

Le système de contrôle AccuColor® vous permet de modifier le réglage de six couleurs sur votre écran selon vos préférences personnelles.

Les commandes OSM® reconçues vous permettent de régler rapidement et facilement tous les éléments des images sur votre écran.

Le logiciel NaViSet™ offre une interface graphique étendue et intuitive, vous permettant de régler les paramètres d'affichage OSM® plus aisément avec la souris et le clavier.

Socket à hauteur réglable avec fonction de pivotement et d'inclinaison et gestion des câbles ajoute de la souplesse à vos préférences de visionnement.

Le concentrateur USB 2.0 ajoute du dynamisme à votre système informatique en vous connectant aux caméras numériques, numériseurs et autres (NX seulement).

Fonctions ErgoDesign® : Améliore l'ergonomie humaine pour améliorer l'environnement de travail, protéger la santé de l'utilisateur et épargner de l'argent. On peut citer comme exemple les commandes OSM pour un réglage rapide et facile de l'image, un socle inclinable pour un meilleur confort de visualisation et la conformité aux directives MPRII et TCO concernant les réductions d'émissions.

Plug and Play : La solution Microsoft® avec le système d'exploitation Windows®95/98/Me/2000/XP facilite la configuration et l'installation en permettant au moniteur d'envoyer ses capacités (telles que le format et les résolutions d'écran acceptés) directement à l'ordinateur, optimisant ainsi automatiquement les performances d'affichage.

Système IPM® (Intelligent Power Manager/Gestionnaire d'énergie intelligent) : Procure des méthodes d'économie d'énergie novatrices qui permettent au moniteur de passer à un niveau de consommation d'énergie plus faible lorsqu'il est allumé mais non utilisé, épargnant deux tiers des coûts énergétiques, réduisant les émissions et diminuant les coûts de conditionnement d'air du lieu de travail.

Technologie à fréquence multiple : Règle automatiquement le moniteur à la fréquence de la carte vidéo, affichant ainsi la résolution requise.

Capacité FullScan® (balayage complet) : Permet d'utiliser la totalité de la surface d'écran dans la plupart des résolutions, augmentant ainsi de façon significative la taille de l'image.

Standard VESA de montage d'interface : Permet à l'utilisateur de raccorder son moniteur MultiSync® à n'importe quel autre bras au baie de montage conforme VESA. Permet de monter le moniteur sur un mur ou un bras à l'aide de n'importe quel autre dispositif compatible.

Dépannage

Pas d'image

- Le câble vidéo doit être bien connecté à la carte d'affichage et à l'ordinateur.
- La carte d'affichage doit être insérée à fond dans son logement.
- Vérifiez que l'interrupteur de vacances soit sur la position MARCHE.
- Les interrupteurs d'alimentation du moniteur à l'avant de l'ordinateur doivent être sur la position MARCHE.
- Vérifiez qu'un mode d'affichage autorisé a été sélectionné pour la carte d'affichage ou le système utilisé (veuillez consulter le manuel de votre carte d'affichage ou de votre système pour modifier le mode graphique).
- Vérifier la compatibilité et les paramètres recommandés de votre moniteur et de votre carte d'affichage.
- Vérifiez que le connecteur du câble vidéo ne comporte aucune broche tordue ou rentrée.
- Vérifiez l'entrée du signal, "INPUT1" ou "INPUT2".

L'interrupteur d'alimentation ne fonctionne pas

- Déconnectez le cordon d'alimentation de la prise secteur pour mettre le moniteur sous puis hors tension.
- Vérifiez le commutateur de veille à l'arrière du moniteur.

Persistence de l'image

- Nous vous informons que la technologie LCD peut provoquer un phénomène appelé <<persistence de l'image >> La persistence de l'image se manifeste lorsqu'une image résiduelle ou << fantôme >> d'une image précédemment affichée reste visible sur l'écran. Contrairement aux moniteurs à tube cathodique, la persistence de l'image sur les moniteurs LCD n'est pas permanente, mais l'on doit éviter d'afficher des images immobiles pendant une longue période de temps. Pour remédier à la persistence de l'image, mettez le moniteur hors tension pendant une durée égale à celle de l'affichage de l'image précédemment affichée. Par exemple, si une image est restée affichée sur l'écran pendant une heure et qu'il reste une image résiduelle, le moniteur doit être mis hors tension pendant une heure pour effacer l'image. Comme pour tous les équipements d'affichage personnels, NEC DISPLAY SOLUTIONS recommande d'afficher des images animées et d'utiliser à intervalles réguliers un économiseur d'écran animé chaque fois que l'écran est en veille, ou d'éteindre le moniteur lorsqu'il n'est pas utilisé.

L'image défile ou est instable

- Le câble vidéo doit être bien connecté à la carte d'affichage et à l'ordinateur.
- Utilisez les boutons de Réglage image OSM pour mettre au point et régler l'affichage en augmentant ou en diminuant la valeur Fin. Lorsque l'affichage est réglé, le Réglage image OSM peut nécessiter un réajustement.
- Vérifier la compatibilité et les réglages recommandés de votre moniteur et de votre carte d'affichage.
- Si votre texte n'est pas net, configurez le mode vidéo en non entrelacé à 60Hz.

La LED sur le moniteur n'est pas allumée (Couleur non verte ou ambrée peut être vue)

- L'interrupteur d'alimentation doit être en position MARCHE et le cordon d'alimentation doit être connecté.
- Vérifiez que l'interrupteur de vacances soit sur la position MARCHE.

L'image n'a pas la bonne taille

- Utilisez les boutons de Réglage image OSM pour augmenter ou diminuer le HAUTEUR.
- Vérifiez qu'un mode d'affichage supporté a été sélectionné pour la carte d'affichage ou le système utilisé (veuillez consulter le manuel de votre carte d'affichage ou de votre système pour modifier le mode graphique).

Pas de vidéo

- Si l'image vidéo ne s'affiche pas l'écran, tournez le bouton Vacation sur arrêt puis sur marche.
- Assurez-vous que l'ordinateur n'est pas en mode d'économie d'énergie (touchez le clavier ou la souris).

Références

Service à la clientèle et assistance technique du moniteur NEC

Service à la clientèle et assistance technique: (800) 632-4662

Télécopieur: (800) 695-3044

Pièces et accessoires/adaptateur
de câble Macintosh:

(800) 632-4662

Information sur la garantie:

www.necdisplay.com

Assistance technique en ligne

www.necdisplay.com

Ventes et information produit

Ligne d'information sur les ventes:

(888) 632-6487

Clientèle canadienne:

(866) 771-0266, Ext#: 4037

Ventes au gouvernement:

(800) 284-6320

Adresse électronique du service
des ventes au gouvernement:

gov@necdisplay.com

Courrier électronique

World Wide Web:

www.necdisplay.com

Produit enregistré:

www.necdisplay.com

Opérations Européennes:

www.nec-display-solutions.com

Pilotes et téléchargements

www.necdisplay.com

Garantie limitée

NEC Display Solutions of America, Inc. (ci-après «NEC DISPLAY SOLUTIONS») garantit que ce produit est exempt de vice de fabrication et de main-d'oeuvre et, selon les conditions énoncées ci-dessous, accepte de réparer ou remplacer, à sa discrétion, toute pièce de l'appareil concerné qui s'avérerait défectueuse et ce, pendant une période de trois (3) ans à partir de la date d'achat initial. Les pièces de rechange sont garanties pendant quatre-vingt dix (90) jours. Les pièces de rechange ou unités peuvent être neuves ou reconditionnées et seront conformes aux spécifications des pièces et des unités d'origine. Cette garantie vous accorde des droits légaux spécifiques auxquels peuvent s'ajouter d'autres droits pouvant varier d'une juridiction à l'autre. Cette garantie est limitée à l'acheteur d'origine du produit et n'est pas transférable. Cette garantie couvre uniquement les composants fournis par NEC DISPLAY SOLUTIONS. Une réparation requise à la suite de l'utilisation des pièces provenant d'un tiers n'est pas couverte par cette garantie. Pour être couvert par cette garantie, le produit doit avoir été acheté aux États-Unis ou au Canada par l'acheteur d'origine. Cette garantie couvre uniquement la distribution du produit aux États-Unis ou au Canada par NEC DISPLAY SOLUTIONS. Aucune garantie n'est offerte à l'extérieur des États-Unis et du Canada. La preuve d'achat sera exigée par NEC DISPLAY SOLUTIONS pour prouver la date d'achat. Une telle preuve d'achat doit être une facture de vente d'origine ou un reçu reprenant le nom et l'adresse du vendeur, de l'acheteur et le numéro de série du produit.

Pour obtenir un service au titre de la garantie, vous devez expédier le produit en port prépayé ou le déposer chez le revendeur agréé qui vous l'a vendu ou dans un autre centre autorisé par NEC DISPLAY SOLUTIONS, soit dans l'emballage d'origine, soit dans un emballage similaire procurant un niveau équivalent de protection. Avant de retourner tout produit à NEC DISPLAY SOLUTIONS, vous devez d'abord obtenir une autorisation de retour de marchandise en composant le 1-800-632-4662. Le produit ne pourra avoir été enlevé ou modifié, réparé ou entreposé au préalable par personne d'autre que du personnel technique autorisé par NEC DISPLAY SOLUTIONS, et le numéro de série du produit ne pourra pas avoir été enlevé. Pour être couvert par cette garantie, le produit ne pourra pas avoir été soumis à l'affichage d'une image fixe pendant de longues périodes de temps résultant en une persistance de l'image, un accident, une utilisation incorrecte ou abusive ou une utilisation contraire aux directives contenues dans le guide de l'utilisateur. Une seule de ces conditions annulera la garantie.

NEC DISPLAY SOLUTIONS NE POURRA ÊTRE TENUE RESPONSABLE DE DOMMAGES DIRECTS, INDIRECTS, ACCIDENTELS, SECONDAIRES OU D'AUTRES TYPES DE DOMMAGES RÉSULTANT DE L'UTILISATION D'UN PRODUIT QUI N'ENTRENT PAS SOUS LA RESPONSABILITÉ DÉCRITE CI-DESSUS. CES GARANTIES REMPLACENT TOUTE AUTRE GARANTIE EXPLICITE OU IMPLICITE, Y COMPRIS, MAIS SANS S'Y LIMITER, TOUTE GARANTIE DE QUALITÉ MARCHANDE OU D'APTITUDE À UNE FIN PARTICULIÈRE. CERTAINES JURIDICTIONS NE PERMETTANT PAS L'EXCLUSION DE GARANTIES IMPLICITES OU LA LIMITATION OU L'EXCLUSION DE RESPONSABILITÉ POUR DOMMAGES ACCIDENTELS OU SECONDAIRES, LES EXCLUSIONS OU LIMITATIONS CI-DESSUS POURRAIENT NE PAS S'APPLIQUER DANS VOTRE CAS.

Ce produit est garanti selon les termes de cette garantie limitée. Les consommateurs doivent savoir que les performances du produit peuvent varier selon la configuration du système, le logiciel, l'application, les données du client et la manière dont le produit est utilisé par l'opérateur, ainsi que d'autres facteurs. Bien que les produits NEC DISPLAY SOLUTIONS soient considérés compatibles avec de nombreux systèmes, la mise en oeuvre fonctionnelle du produit peut varier d'un client à l'autre. Par conséquent, l'adéquation d'un produit à un besoin ou une application spécifique doit être déterminée par le consommateur et n'est pas garantie par NEC DISPLAY SOLUTIONS.

Pour connaître le nom du centre de service technique agréé NEC Display Solutions of America, Inc. le plus proche, appeler NEC Display Solutions of America, Inc. au 1-800-632-4662.

TCO'99 -le mod e noir (C'est une traduction de portion Anglaise de TCO'99.)

Félicitations! Vous avez acheté un produit qui répond à la directive TCO'99. En choisissant ce produit conçu pour une utilisation professionnelle, vous contribuez aussi à la réduction des effets nuisibles sur l'environnement et aussi au développement continu de produits électroniques respectueux de l'environnement.



Pourquoi des ordinateurs <<éco-eiquetés>>?

Dans de nombreux pays, l'éco-étiquetage est devenu une méthode reconnue pour favoriser la mise au point de biens et de services respectueux de l'environnement. Pour ce qui est des ordinateurs et autre équipement électronique, le problème est double : des substances nuisibles à l'environnement sont utilisées à la fois dans le produit et au cours du processus de fabrication. Comme il n'a pas été possible de recycler de manière appropriée la majeure partie de l'équipement électronique, ces substances sont tôt ou tard introduites dans la nature.

L'ordinateur comporte d'autres caractéristiques comme les niveaux de consommation énergétique, qui influent à la fois sur l'environnement de travail (interne) et sur l'environnement naturel (externe). Étant donné que toutes les méthodes de génération d'électricité traditionnelle ont un impact négatif sur l'environnement (retombées acides et émissions provoquant des changements climatiques, déchets radioactifs, etc.), la conservation de l'énergie est cruciale. Les appareils électroniques utilisés dans des bureaux consomment une quantité énorme d'énergie puisqu'ils sont souvent laissés continuellement en marche.

Qu'est-ce qu'implique léco-étiquetage?

Ce produit répond aux exigences de la directive TCO'99 qui prévoit l'éco-étiquetage et étiquetage international d'ordinateurs personnels. La directive d'étiquetage a été élaborée par le TCO (Confédération suédoise des employés professionnels), Svenska Naturkyddsforeningen (Société suédoise de conservation de la nature) et Statens Energimyndighet (Administration nationale de l'énergie de la Suède).

La directive couvre plusieurs volets : environnement, ergonomie, facilité d'utilisation, émissions de champs électriques et magnétiques, consommation énergétique, sécurité-électrique et sécurité-incendie.

Les exigences environnementales concernent la restriction de la présence et de l'utilisation, entre autres, de métaux lourds, de retardateurs de flamme contenant du brome et du chlore, d'hydrocarbure chlorofluoré (fréon) et de solvants chlorés. Le produit doit être préparé en vue d'être éventuellement recyclé et le fabricant est tenu d'élaborer un plan environnemental qui doit être respecté dans chaque pays où la société met en oeuvre sa politique opérationnelle. Dans le cadre des exigences relatives à la consommation, l'ordinateur et/ou l'écran doit, après une certaine période d'inactivité, réduire sa consommation énergétique en une ou plusieurs phases. Le temps nécessaire à la réactivation de l'ordinateur devra être raisonnable. Les produits étiquetés doivent répondre à des exigences environnementales rigoureuses, par exemple, eu égard à la réduction des champs électriques et magnétiques, à l'ergonomie physique et visuelle et à la facilité d'utilisation.

Exigences environnementales

Retardateurs de flamme

Les retardateurs de flamme sont présents dans les cartes à circuits imprimés, les câbles, les fils, les châssis et les boîtiers. Leur présence permet de retarder la propagation du feu. Le plastique d'un boîtier d'ordinateur peut contenir jusqu'à trente pour cent de substances ignifuges. La plupart des retardateurs de flamme contiennent du brome ou du chlore et ces derniers s'apparentent à un autre groupe de toxines environnementales, les PCB, qui sont suspectés de provoquer des effets néfastes pour la santé, dont la modification de la reproduction chez les oiseaux piscivores et les mammifères, attribuable aux processus biocumulatifs*. La présence de retardateurs de flamme a été détectée dans le sang humain et les chercheurs craignent que le développement du foetus pourrait être perturbé. La directive TCO'99 exige que les composants en plastique pesant plus de 25 grammes ne contiennent pas de retardateurs de flamme contenant du chlore ou du brome

TCO'99 (suite)

organiquement liés. Les retardateurs de flammes sont autorisés dans les cartes à circuits imprimés étant donné qu'aucun substitut n'est encore disponible.

Plomb**

Le plomb peut être présent dans les tubes cathodiques, les écrans, les soudures et les condensateurs. Le plomb s'attaque au système nerveux et, à doses élevées, entraîne l'intoxication par le plomb. La directive TCO'99 permet l'inclusion du plomb étant donné qu'aucun remplacement n'a encore été mis au point.

Cadmium**

Le cadmium est présent dans les batteries rechargeables et dans les couches de génération des couleurs de certains écrans d'ordinateur. Le cadmium s'attaque au système nerveux et est toxique à doses élevées.

La directive TCO'99 stipule que les batteries, les couches de génération des couleurs d'écrans d'ordinateur et les composants électriques ou électroniques ne doivent pas contenir de cadmium.

Mercure**

Le mercure est parfois présent dans les batteries, les relais, les interrupteurs et les systèmes rétroéclairés. Le cadmium s'attaque au système nerveux et est toxique à doses élevées.

La directive TCO'99 stipule que les batteries ne peuvent pas contenir de mercure. Elle exige aussi que le mercure soit absent de tous les composants électriques ou électroniques associés à l'écran.

Hydrocarbures chlorofluorés (fréon)

Les hydrocarbures chlorofluorés (fréon) sont parfois utilisés dans le lavage des cartes à circuits imprimés. Les hydrocarbures chlorofluorés décomposent la couche d'ozone et endommagent la couche d'ozone dans la stratosphère, ce qui provoque l'augmentation de rayonnement ultraviolet sur la terre et entraîne le risque accru de cancer de la peau (mélanome malin).

La directive TCO'99 : les hydrocarbures chlorofluorés et les hydrocarbures partiellement halogénés ne peuvent pas être utilisés dans la fabrication ou l'assemblage du produit ou de son emballage.

*Biocumulatif signifie les substances qui s'accumulent au sein d'organismes vivants.

**Le plomb, le cadmium et le mercure sont des métaux lourds qui sont biocumulatifs.

Pour obtenir des informations détaillées sur le document des critères environnementaux, adressez-vous à :

TCO Development Unit

SE 114 94 Stockholm

SUÈDE

Numéro de télécopieur : +46 8 782 92 07

Courriel (Internet) : development@tco.se

Vous pouvez aussi obtenir des informations à jour sur les produits approuvés et étiquetés TCO'99 en visitant le site Web <http://www.tcodevelopment.com>

TCODevelopment



Félicitations !

L'écran que vous venez d'acheter porte l'étiquette « Displays TCO'03 ». Ceci signifie que votre écran a été conçu, fabriqué, et vérifié selon certaines des directives relatives à la qualité et aux exigences environnementales les plus strictes au monde. Cela permet à un produit de haute performance, conçu avec l'utilisateur comme priorité, de réduire son impact sur notre environnement naturel.

Voici certaines caractéristiques de ces directives « TCO'03 Display » :

Ergonomie

- Bonne ergonomie visuelle et qualité de l'image afin d'améliorer l'environnement de travail des utilisateurs, et afin de réduire les problèmes de vue et de tension nerveuse. Les paramètres importants sont la luminance, le contraste, la résolution, la rémission, le rendu des couleurs et la stabilité de l'image.

Consommation

- Mode économie d'énergie après un certain temps, un avantage à la fois pour l'utilisateur et l'environnement
- Sécurité électrique

Émissions

- Champs électromagnétiques
- Émissions de parasites

Écologie

- Le produit doit être conçu afin d'être recyclable et le fabricant doit disposer d'une certification relative à l'environnement telle qu'EMAS ou ISO 14 001
- Restrictions sur l'usage des :
 - polymères et retardants au feu chlorés ou bromés
 - métaux lourds tels que cadmium, mercure et plomb.

Les directives comprises sous cette étiquette ont été mises au point par « TCO Development » en coopération avec des scientifiques, des experts, des utilisateurs, ainsi que des fabricants du monde entier. Depuis la fin des années 1980, TCO s'est efforcée d'influencer le développement du matériel informatique grâce à une orientation plus conviviale. Notre système d'étiquetage a débuté avec des écrans en 1992 et se retrouve maintenant demandé par des utilisateurs et des fabricants informatiques du monde entier.

Pour obtenir des renseignements supplémentaires, veuillez visiter
www.tcodevelopment.com

Informations du fabricant relatives au recyclage et aux économies d'énergie

NEC DISPLAY SOLUTIONS est extrêmement résolu à protéger l'environnement et considère le recyclage comme l'une des principales priorités de l'entreprise en essayant de minimiser les répercussions sur l'environnement. Nous nous engageons à développer des produits qui n'ont pas d'impact négatif sur l'environnement et nous nous efforçons toujours de favoriser la définition et le respect des normes indépendantes les plus récentes édictées par les organismes tels ISO (International Organization for Standardization) et TCO (Swedish Trades Union). Pour de plus amples informations et pour obtenir de l'aide pour recycler votre ancien moniteur NEC, veuillez visiter notre site Web au:

É.-U.: <http://www.necdisplay.com>

Europe: <http://www.nec-display-solutions.com>

Japon: <http://www.nec-display.com>

Vous pouvez trouver également des programmes de recyclage sur les sites suivants :

Suède - <http://www.el-retur.se>

Allemagne - <http://www.recyclingpartner.de/>

Hollande - <http://www.mirec.nl/>

Japon - <http://www.diarcs.com/>

Économie d'énergie :

Ce moniteur est équipé d'une capacité d'économie d'énergie avancée. Lorsqu'un signal standard VESA de signalisation de gestion de la consommation de l'affichage (DPM) est envoyé au moniteur, le mode Économie d'énergie est activé. Le moniteur entre en mode simple Économie d'énergie.

Mode	Consommation d'énergie	Couleur DEL
Fonctionnement normal	Approx. 36w (LCD1970V) Approx. 36w (LCD1970VX) Approx. 52w (LCD1970NX)	Vert
Mode Économie d'énergie	Moins de 2w (LCD1970V) Moins de 2w (LCD1970VX) Moins de 4w (LCD1970NX)	Orange
Mode Arrêt	Moins de 1w (LCD1970V) Moins de 1w (LCD1970VX) Moins de 2w (LCD1970NX)	Non allumé

Déclaration du fabricant

Nous certifions par la présente que les moniteurs
MultiSync® LCD1970V™ (L194RK),
MultiSync® LCD1970VX™ (L194RK) ou
MultiSync® LCD1970NX™ (L194RH)

conformes à

la directive 73/23/EEC du Conseil:

- EN 60950-1

la directive 89/336/EEC du Conseil:

- EN 55022
- EN 61000-3-2
- EN 61000-3-3
- EN 55024

et porte le sigle



NEC Display Solutions, Ltd.
4-13-23, Shibaura,
Minato-Ku
Tokyo 108-0023, Japan

Elimination des anciens produits NEC



Au sein de l'Union Européenne

La législation en vigueur dans tous les états membres de l'Union Européenne exige que tous les déchets électriques et électroniques portant le symbole ci-contre (à gauche) ne soient pas mélangés au reste des déchets ménagers lors de leur élimination. Ceci inclut notamment les moniteurs et accessoires électriques, tels que les câbles-signaux et les cordons d'alimentation. Lorsque vous devez vous débarrasser de vos produits d'affichage NEC, des autorités veuillez suivre les recommandations locales ou demander conseil auprès du revendeur qui vous a vendu le produit en question. Vous pouvez aussi respecter tout accord passé entre NEC et vous-même, le cas échéant. Ce symbole présent sur les produits électriques et électroniques ne s'applique qu'aux membres actuels de l'Union Européenne.

En dehors de l'Union Européenne

Si vous souhaitez vous débarrasser de produits électriques ou électroniques usagés en dehors de l'Union Européenne, veuillez contacter les autorités locales concernées pour respecter les modes de traitement acceptés.

AVIS DE PROPRIÉTÉ EXCLUSIVE ET DE DÉGAGEMENT DE RESPONSABILITÉ

Les informations contenues dans ce document, y compris tous les designs et matériel s'y rapportant, sont la propriété de NEC Display Solutions of America, Inc. et/ou ses concédants. NEC Display Solutions of America, Inc. se réserve les droits de fabrication brevetée, les droits d'auteurs et autres propriétés exclusives à ce document, y compris tous les droits de design, de fabrication, de reproduction, d'utilisation et de vente y afférent, à condition que ces droits n'ont pas été directement délivrés à d'autres.

Les produits de NEC Display Solutions of America, Inc. dont il est question dans ce document sont garantis conformément aux termes de la déclaration de garantie limitée accompagnant chaque produit. Cependant, les performances réelles de chaque produit dépendent de facteurs tels que la configuration du système, les données du client et la manière dont le produit est utilisé. Étant donné que la mise en oeuvre fonctionnelle du produit peut varier d'un client à l'autre, l'adéquation et l'application de configurations spécifiques du produit peuvent être déterminées par le client et ne sont pas garanties par NEC Display Solutions of America, Inc.

Afin de permettre l'amélioration du design et des caractéristiques techniques, les informations contenues dans ce document sont sujettes à modifications sans préavis. La reproduction totale ou partielle de ce document sans l'accord préalable de NEC Display Solutions of America, Inc. est interdite.

DÉCLARATION DE CONFORMITÉ

Cet appareil est conforme à l'article 15 du règlement de la FCC. L'utilisation est soumise à deux conditions. 1) Cet appareil ne peut pas occasionner d'interférences nuisibles, et 2) cet appareil doit accepter toutes interférences reçues, y compris les interférences qui peuvent occasionner un mauvais fonctionnement.

Partie responsable américaine :	NEC Display Solutions of America, Inc.
Adresse :	500 Park Blvd, Suite 1100 Itasca, Illinois 60143
N° tél. :	(630) 467-3000

Type de produit : Moniteur d'affichage
Classification de l'appareil : Périphérique classe B
Modèle : MultiSync LCD1970V (L194RK) / LCD1970VX (L194RK) / LCD1970NX (L194RH)

FC *Nous déclarons par la présente que les appareils mentionnés ci-dessus sont conformes aux normes techniques spécifiées dans le règlement de la FCC.*

Windows est une marque déposée de Microsoft Corporation. NEC est une marque déposée de NEC Corporation. ENERGY STAR est une marque déposée aux États-Unis. Tous les autres noms de marques et de produits sont des marques de commerce ou des marques déposées de leurs propriétaires respectifs.

En tant que partenaire ENERGY STAR®, NEC Display Solutions of America, Inc. a veillé à ce que ce produit respecte les normes ENERGY STAR en matière de rendement énergétique. Le logo ENERGY STAR ne représente aucun aval par l'EPA de quelque produit ou service que ce soit.

NEC

PROPRIETARY NOTICE AND LIABILITY DISCLAIMER

The information disclosed in this document, including all designs and related materials, is the valuable property of NEC Display Solutions of America, Inc. and/or its licensors, as appropriate, reserve all patent, copyright and other proprietary rights to this document, including all design, manufacturing, reproduction, use and sales rights thereto, except to the extent said rights are expressly granted to others.

The NEC Display Solutions of America, Inc. product(s) discussed in this document are warranted in accordance with the terms of the Limited Warranty Statement accompanying each product. However, actual performance of each such product is dependent upon factors such as system configuration, customer data and operator control. Since implementation by customers of each product may vary, the suitability of specific product configurations and applications must be determined by the customer and is not warranted by NEC Display Solutions of America, Inc.

To allow for design and specification improvements, the information in this document is subject to change at any time without notice. Reproduction of this document or portions thereof without prior approval of NEC Display Solutions of America, Inc. is prohibited.

DECLARATION OF CONFORMITY

This device complies with Part 15 of FCC Rules. Operation is subject to the following two conditions. (1) This device may not cause harmful interference, and (2) this device must accept any interference received, including interference that may cause undesired operation.

U. S. Responsible Party:	NEC Display Solutions of America, Inc.
Address:	500 Park Blvd, Suite 1100 Itasca, Illinois 60143
Tel. No.:	(630) 467-3000

Type of Product: Display Monitor

Equipment Classification: Class B Peripheral

Model: MultiSync LCD1970V (L194RK) / LCD1970VX (L194RK) / LCD1970NX (L194RH)



We hereby declare that the equipment specified above conforms to the technical standards as specified in the FCC Rules.

Windows is a registered trademark of Microsoft Corporation. NEC is a registered trademark of NEC Corporation. ENERGY STAR is a U.S. registered trademark. All other brands and product names are trademarks or registered trademarks of their respective owners.

As an ENERGY STAR® Partner, NEC Display Solutions of America, Inc. has determined that this product meets the ENERGY STAR guidelines for energy efficiency. The ENERGY STAR emblem does not represent EPA endorsement of any product or service.

NEC

Part No. 1E504183
Printed in China

Free Manuals Download Website

<http://myh66.com>

<http://usermanuals.us>

<http://www.somanuals.com>

<http://www.4manuals.cc>

<http://www.manual-lib.com>

<http://www.404manual.com>

<http://www.luxmanual.com>

<http://aubethermostatmanual.com>

Golf course search by state

<http://golfingnear.com>

Email search by domain

<http://emailbydomain.com>

Auto manuals search

<http://auto.somanuals.com>

TV manuals search

<http://tv.somanuals.com>