

MultiSync® IntelliBase™ USB Hub

User's Manual

MultiSync

CONTROL
PROCEED
RESET

NEC
IntelliBase



NEC
NEC Technologies

Index

Contents	1
Quick Start	2-15
Controls	16
Specifications	17
Troubleshooting	18
References	19
Limited Warranty	20

Table des matières

Contenu	23
Démarrage rapide	24-37
Commandes	38
Caractéristiques	39
Dépannage	40
Références	41
Garantie limitée	42

IMPORTANT



The lightning flash with arrowhead, within an equilateral triangle, is intended to alert the user to the presence of uninsulated "dangerous voltage" within the product's enclosure that may be of sufficient magnitude to constitute a risk of electric shock to persons.

CAUTION

**RISK OF ELECTRIC SHOCK
DO NOT OPEN**

CAUTION: TO PREVENT THE RISK OF ELECTRIC SHOCK, DO NOT REMOVE COVER (OR BACK). NO USER-SERVICEABLE PARTS INSIDE. REFER SERVICING TO QUALIFIED SERVICE PERSONNEL.



The exclamation point within an equilateral triangle is intended to alert the user to the presence of important operating and maintenance (servicing) instructions in the literature accompanying the appliance.

Safety Precautions and Maintenance



FOR OPTIMUM PERFORMANCE, PLEASE NOTE THE FOLLOWING WHEN SETTING UP AND USING THE MULTISYNC® INTELLIBASE™ WITH USB HUB:



Read Instructions — All the safety and operating instructions should be read before the appliance is operated.

Retain Instructions — The operating instructions should be retained for future reference.

Heed Warning — All warnings on the appliance and in the operating instructions should be adhered to.

Follow Instructions — All operating and use instructions should be followed.

Water and Moisture — The appliance should not be used near water — for example, near a bathtub, washbowl, kitchen sink, laundry tub, in a wet basement, or near a swimming pool, etc.

Outdoor Use — Warning: To reduce the risk of fire or electric shock, do not expose this appliance to rain or moisture.

Location — The appliance should be installed in a stable location. Do not use the monitor while the base is removed.

Ventilation — The appliance should be situated so that its location or position does not interfere with its proper ventilation.

For example, the appliance should not be situated on a bed, sofa, rug, or similar surface that may block the ventilation openings; or placed in a built-in installation, such as a closed bookcase or cabinet that may impede the flow of air through the ventilation openings.

Heat — The appliance should be situated away from heat sources such as radiators, heat registers, stoves, or other appliances (including amplifiers) that produce heat.

Power Sources — Use the supplied AC adapter. The appliance should be connected to a power supply only of the type described in the operating instructions or as marked on the appliance.

Power-Cord Protection — Power-supply cords should be routed so that they are not likely to be walked on or pinched by items placed upon or against them. Pay particular attention to cords at plugs, convenience receptacles, and the point where they exit from the appliance.

Grounding or Polarization — Precautions should be taken so that the grounding or polarization means of an appliance is not defeated.

Cleaning — The appliance should be cleaned only with a polishing cloth or a soft dry cloth. Never clean with furniture wax, benzene, insecticides or other volatile liquids since they may corrode the cabinet.

Non-Use Periods — The power cord of the appliance should be unplugged from the outlet when left unused for a long period of time.

Object and Liquid Entry — Care should be taken so that objects do not fall and liquids are not spilled into the enclosure through openings.

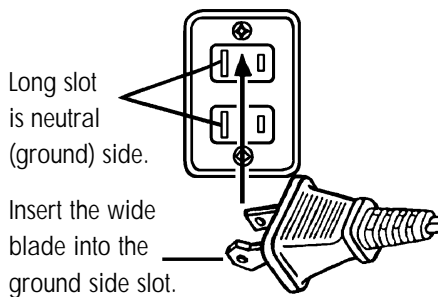
Damage Requiring Service — The appliance should be serviced by qualified service personnel when:

- The power-supply cord or the plug has been damaged.
- Objects have fallen, or liquid has been spilled into the appliance.
- The appliance has been exposed to rain.
- The appliance does not appear to operate normally or exhibits a marked change in performance.
- The appliance has been dropped or the enclosure damaged.

Servicing — The user should not attempt to service the appliance. Servicing should be referred to qualified service personnel or returned to the dealer or call the NEC TECH service line for assistance at 1-800-632-4662.

Connecting the Power Cord

AC Wall Socket



CAUTION: To prevent electric shock do not use this (polarized) plug with an extension cord, receptacle or other outlet unless the blades can be fully inserted to prevent blade exposure.

WARNING

TO REDUCE THE RISK OF FIRE OR ELECTRIC SHOCK, DO NOT EXPOSE THIS APPLIANCE TO RAIN OR MOISTURE.

The FCC Wants You to Know

1. Use the attached specified cable with the MultiSync IntelliBase so as not to interfere with radio and television reception.

Please use the supplied power cable or equivalent to ensure FCC compliance.

2. This equipment has been tested and found to comply with the limits for a Class B digital device, pursuant to Part 15 of the FCC rules. These limits are designed to provide reasonable protection against harmful interference in a residential installation. This equipment generates, uses and can radiate radio frequency energy and, if not installed and used in accordance with the instructions, may cause harmful interference to radio communications. However, there is no guarantee that interference will not occur in a particular installation. If this equipment does cause harmful interference to radio or television reception, which can be determined by turning the equipment off and on, the user is encouraged to try to correct the interference by one or more of the following measures:

- a) Reorient or relocate the receiving antenna.
- b) Increase the separation between the equipment and receiver.
- c) Connect the equipment to an outlet on a circuit different from that to which the receiver is connected.
- d) Consult the dealer or an experienced radio/TV technician for help.

If necessary, the user should contact the dealer or an experienced radio/television technician for additional suggestions. The user may find the following booklet, prepared by the Federal Communications Commission, helpful: "How to Identify and Resolve Radio-TV Interference Problems." This booklet is available from the U.S. Government Printing Office, Washington, D.C., 20402, Stock No. 004-000-00345-4

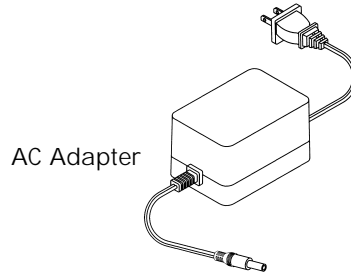
Contents

Your new NEC Technologies MultiSync® IntelliBase™ USB Hub carton box* should contain the following:

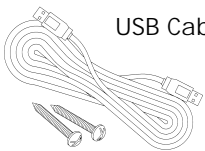
- MultiSync IntelliBase USB Hub (IB-USB)
- AC Adapter
- User's Manual
- Registration Card
- USB Cable
- Screws
- Adapter Plate A
- Adapter Plate B



User's Manual

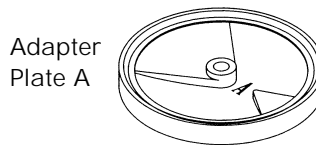


AC Adapter

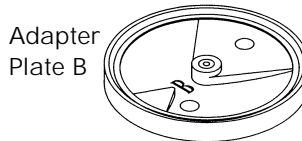


USB Cable

Screws

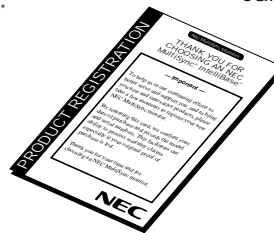


Adapter Plate A



Adapter Plate B

Registration Card



MultiSync
IntelliBase
USB Hub

* Remember to save your original box and packaging material to transport or ship the MultiSync IntelliBase USB Hub.

Note: You can register your product on the Internet at <http://www.prodreg.com/nec>

Quick Start

How to attach IntelliBase™ USB Hub to your MultiSync® brand monitor



THE INTELLIBASE USB HUB WILL ONLY WORK WITH THE MULTISYNC BRAND MONITORS LISTED BELOW. DO NOT ATTEMPT TO CONNECT THE INTELLIBASE WITH ANY OTHER MONITOR BRANDS.



MAKE SURE THE MONITOR IS DISCONNECTED FROM THE SYSTEM AND IS UNPLUGGED FROM THE WALL OUTLET BEFORE ANY WORK IS DONE ON THE MONITOR.



FOR 21-INCH MONITORS, IT IS ADVISED THAT TWO PEOPLE ARE INVOLVED DURING THE ENTIRE INSTALLATION PROCESS.

To attach the IntelliBase to your MultiSync brand monitor, the original base must first be removed. Depending on the model of your MultiSync brand monitor, the removal procedure of the original base and the attachment of the IntelliBase will vary. Locate the model name (located in the lower right corner of your monitor's bezel) of your MultiSync brand monitor in the table below. Follow the removal procedure to detach the original base from your monitor using the diagrams on the following pages and attach the IntelliBase to your monitor.

MultiSync Monitor Model Names	Original Monitor Base Removal and IntelliBase Installation Instructions
MultiSync 50, MultiSync 70, XV15 and XV15+	Page 3
MultiSync XE15, XE17, XP15, XP17, XV17, XV17+, A500, A500+, A700, A700+, A900, E500, E700, E900, E900+, M500, M700 and P750	Page 5
MultiSync XE21, XP21, E1100, E1100+, P1150 and P1250+	Page 7

MultiSync® Monitor Model Names

MultiSync 50, MultiSync 70, XV15 and XV15+

Step 1 With the monitor unplugged from your system and the wall outlet, carefully turn the monitor upside down on a firm table so that the base is facing up as shown in Figure 1.

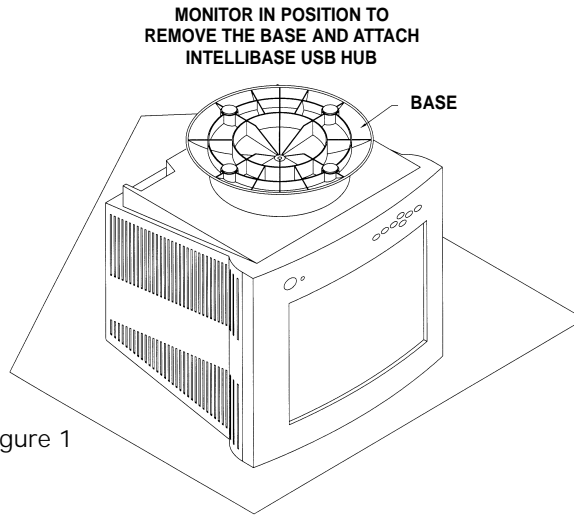
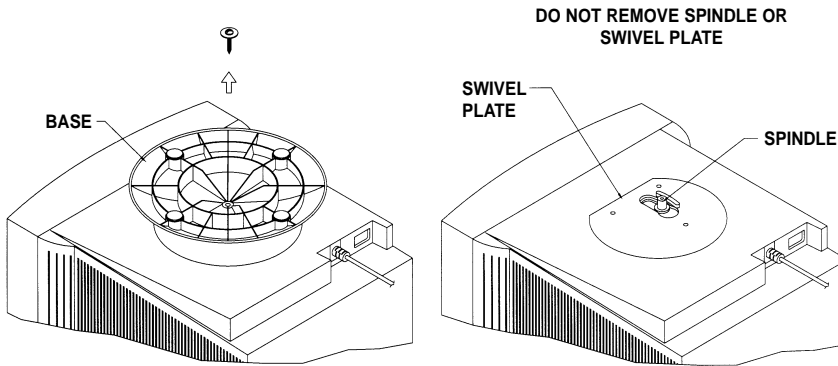


Figure 1

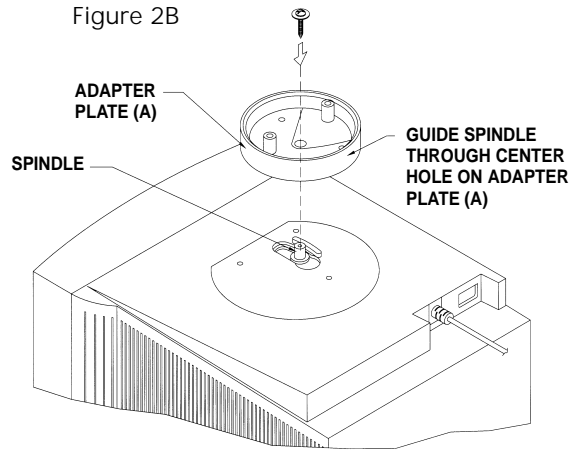
Step 2 Using a Phillips screwdriver, remove the screw securing the original base to the monitor as shown in Figure 2A. Remove and save the original base for possible future use.

Note: Do not remove the spindle or swivel plate.

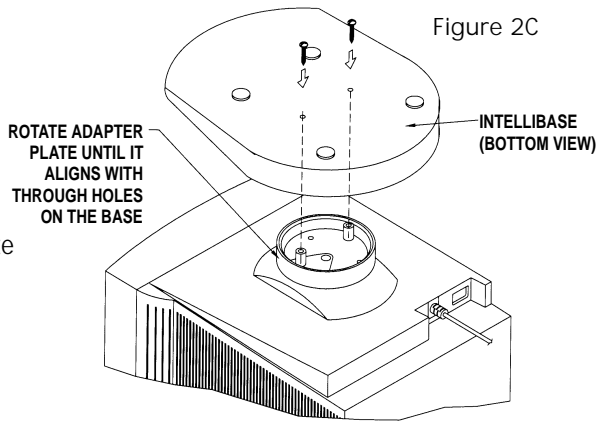
Figure 2A



Step 3 Locate Adapter Plate "A" that is supplied with the IntelliBase™ and secure it to the spindle using the screw that was removed in Step 2 as shown in Figure 2B.



Step 4 Locate the two screws that are supplied with the IntelliBase and attach the IntelliBase to the adapter plate and monitor as shown in Figure 2C.



Proceed to Page 10 to connect your MultiSync® monitor with the IntelliBase USB Hub to your system.

MultiSync® Monitor Model Names

MultiSync XE15, XE17, XP15, XP17, XV17, XV17+, A500, A500+ A700, A700+, A900, E500, E700, E900, E900+, M500, M700 and P750

Step 1 With the monitor unplugged from your system and wall outlet, carefully turn the monitor upside down on a firm table so that the base is facing up as shown in Figure 1.

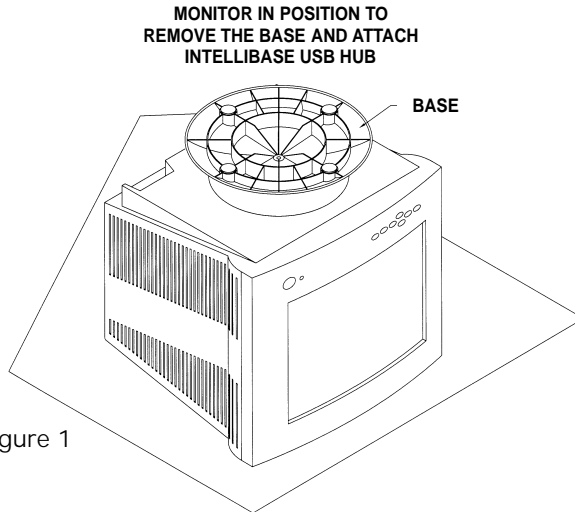
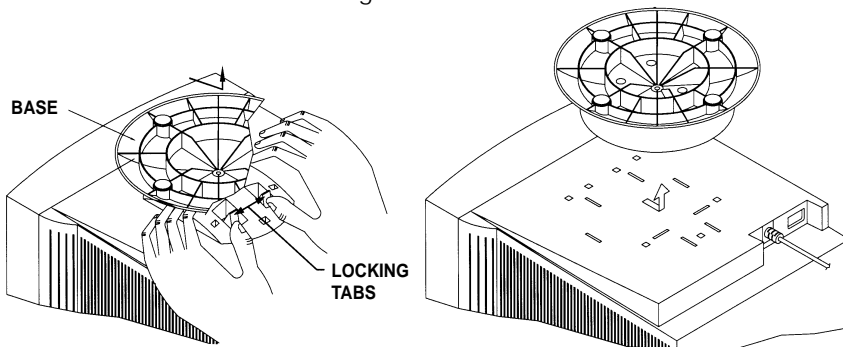


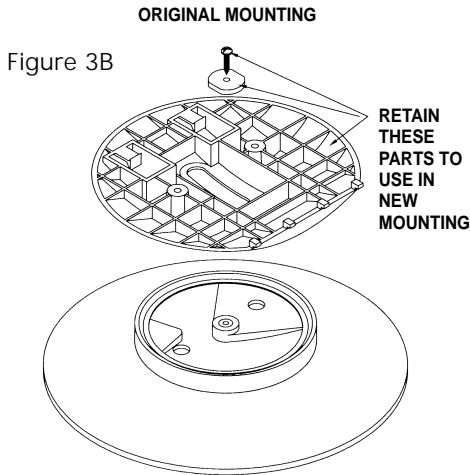
Figure 1

Step 2 Using your thumbs, push on the locking tabs while pulling forward and up as shown by the directional arrow in Figure 3A. This action releases the base from the monitor. Remove and save the original base for possible future use.

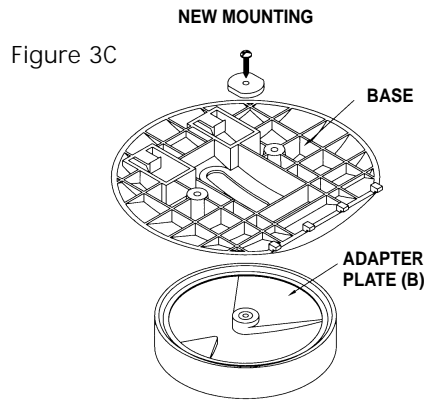
Figure 3A



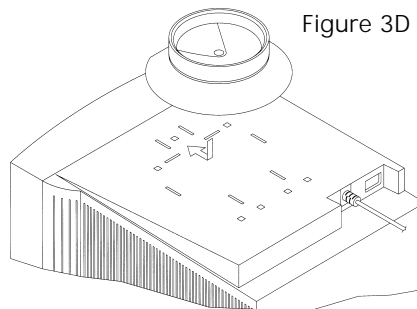
Step 3 Using a Phillips screwdriver, remove the screw securing the two base halves together as shown in Figure 3B. Retain the screw and black nylon washer for use in the next step.



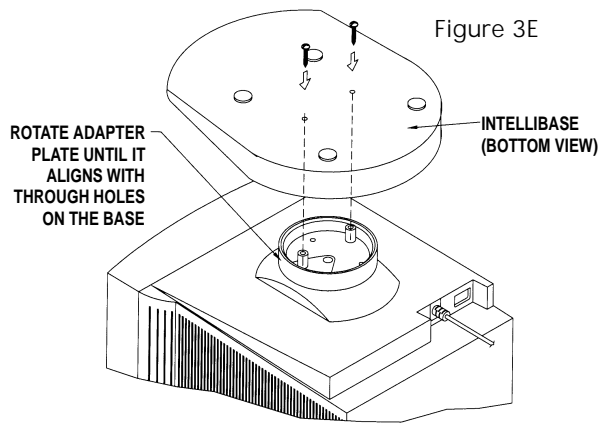
Step 4 Locate Adapter Plate "B" that is supplied with the IntelliBase™ and secure it to the spindle using the screw and black nylon washer that was removed in Step 2 as shown in Figure 3C.



Step 5 After the adapter plate has been attached to the base, snap the base assembly to the monitor. To accomplish this, position all the locking tabs on the base so they mate with the holes in the monitor. Slide the base assembly in place as shown in Figure 3D.



Step 6 Locate the two screws that are supplied with the IntelliBase™ and attach the IntelliBase to the adapter plate and monitor as shown in Figure 3E.

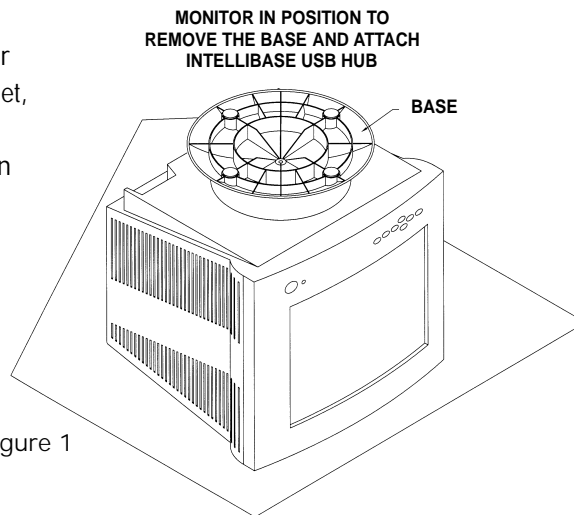


Proceed to Page 10 to connect your MultiSync® monitor with IntelliBase USB Hub to your system.

MultiSync Monitor Model Names

MultiSync XE21, XP21, E1100, E1100+, P1150 and P1250+

Step 1 With the monitor unplugged from your system and wall outlet, carefully turn the monitor upside down onto a firm table so that the base is facing up as shown in Figure 1.



Step 2 Using a Phillips screwdriver, remove the three screws securing the original base to the monitor. Remove the base by sliding and lifting as shown in Figure 4A. Save these screws for use in Steps 6 and 7. Save the original base for possible future use.

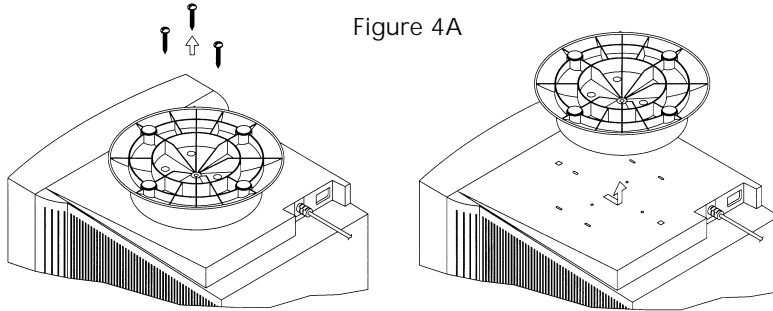
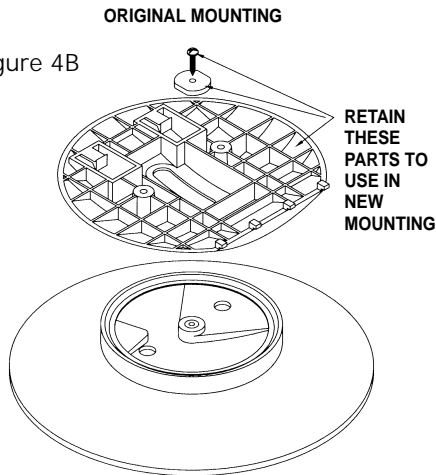


Figure 4A

Step 3 Using a Phillips screwdriver, remove the screw securing the two base halves together as shown in Figure 4B. Retain the screw and black nylon washer for use in the next step.

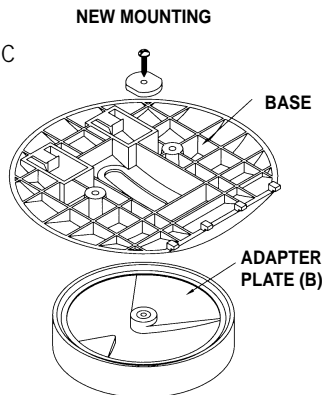
Figure 4B



ORIGINAL MOUNTING

Step 4 Locate Adapter Plate "B" that is supplied with the IntelliBase™ and secure it to the spindle using the screw and black nylon washer that was removed in Step 3 as shown in Figure 4C.

Figure 4C



NEW MOUNTING

Step 5 After the adapter plate has been attached to the base, snap the base assembly to the monitor. To accomplish this, position all the locking tabs on the base so they mate with the holes in the monitor. Slide the base assembly in place as shown in Figure 4D.

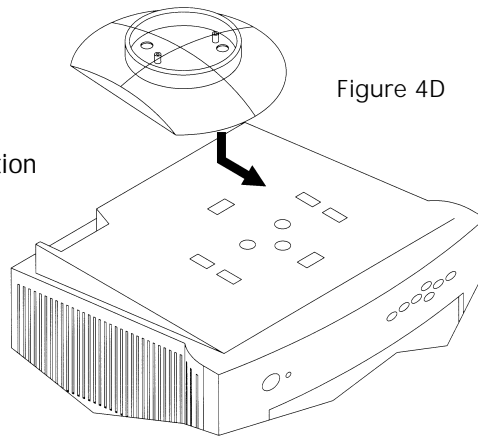


Figure 4D

Step 6 Using two of the screws that were removed in Step 2, attach the adapter plate assembly to the monitor. To accomplish this, it will be necessary to turn the adapter plate fully counter-clockwise while sliding it forward as shown in Figure 4E. This will allow you to install the two rear screws.

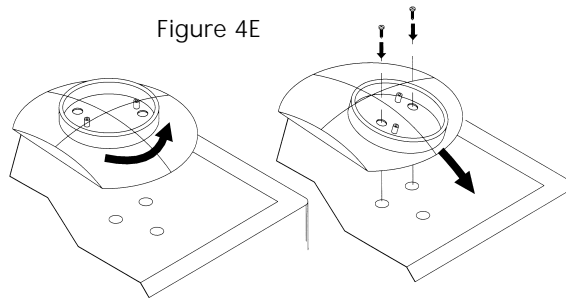


Figure 4E

Step 7 Using the remaining screw that was removed in Step 2, complete attachment of the adapter plate assembly. To accomplish this, it will be necessary to slide the adapter plate backwards as shown in Figure 4F.

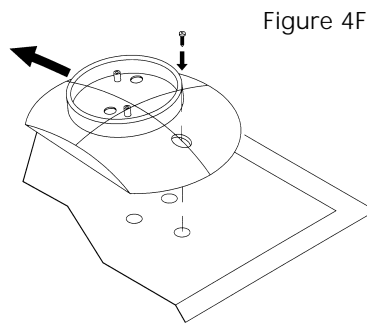
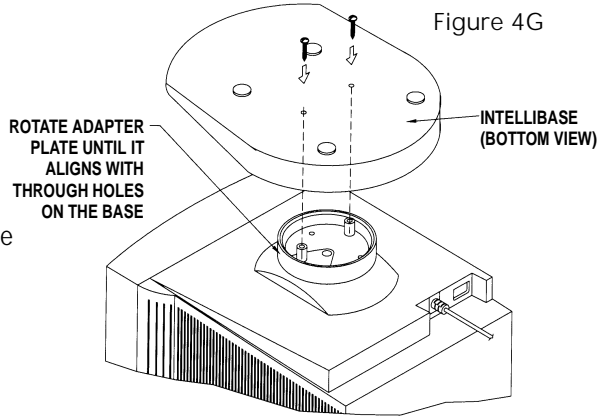


Figure 4F

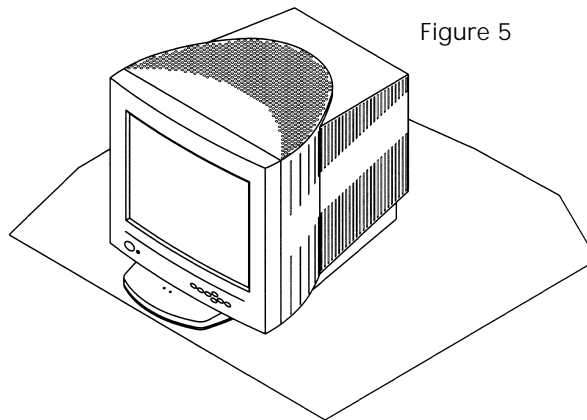
Step 8 Locate the two screws that are supplied with the IntelliBase™ and attach the IntelliBase to the adapter plate and monitor as shown in Figure 4G.



Proceed below to connect your MultiSync® monitor with the IntelliBase USB Hub to your system.

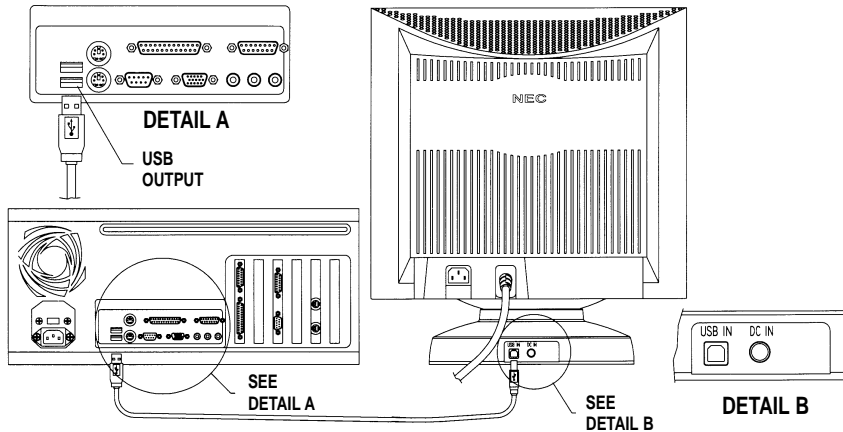
How to connect your MultiSync monitor with IntelliBase USB Hub to your system

Step 1 Having successfully installed your new IntelliBase, carefully turn the monitor right side up as shown in Figure 5.



Step 2 Connect one end of the supplied USB cable to the USB input jack on the rear of the IntelliBase™ (Detail B) and the other end to the USB output jack of your computer system (Detail A) as shown in Figure 6.

Figure 6 - REAR VIEW



Step 3 Connect one end of the supplied AC adapter to the DC input jack on the rear of the IntelliBase and the other end into any 110-120V AC wall outlet as shown in Figure 7.

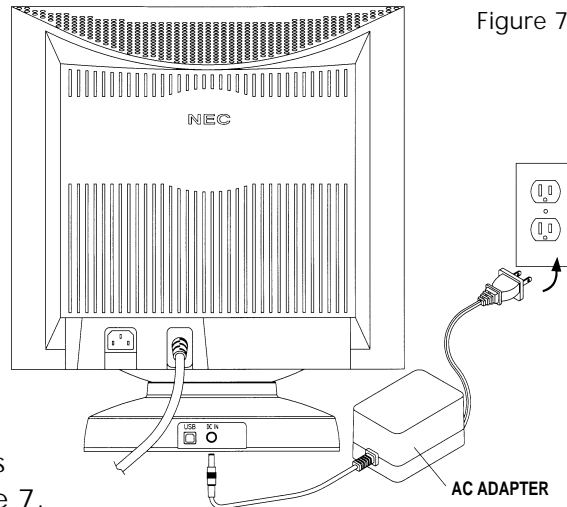


Figure 7

NOTE: The IntelliBase front green LED power indicator should be on after this step.

Step 4 Reconnect your MultiSync® monitor to your computer system as shown in the monitor user's manual.

Note: Steps 5-11 describe USB driver installation for the Windows® 98 operating system. Other operating systems which support USB may follow a different procedure.

Step 5 Turn your computer on. The computer will automatically recognize your IntelliBase™. The Add Hardware Wizard will search for, locate and install the USB Controller and Hub Device drivers needed by the IntelliBase.



Step 6 Click on Next > button to begin driver installation.



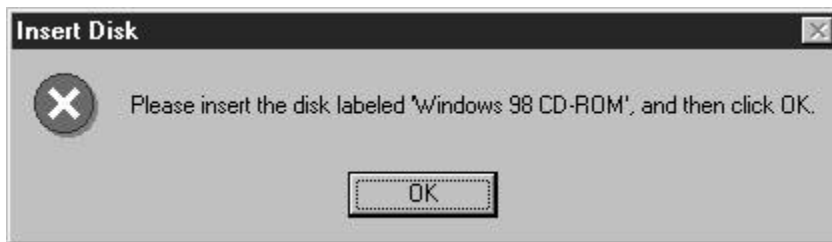
Step 7 Select Search for the best driver for your device and then click the Next > button.



Step 8 Click Next > button to select default driver location.



Step 9 Click on Next > button to install drivers. The Hardware Wizard will copy the necessary files and install the drivers.



Step 10 Insert the Windows® 98 CD-ROM and then click OK. The required files are copied from the Windows 98 CD-ROM.



Step 11 The software has been successfully loaded and you are now ready to use your IntelliBase™.

Controls

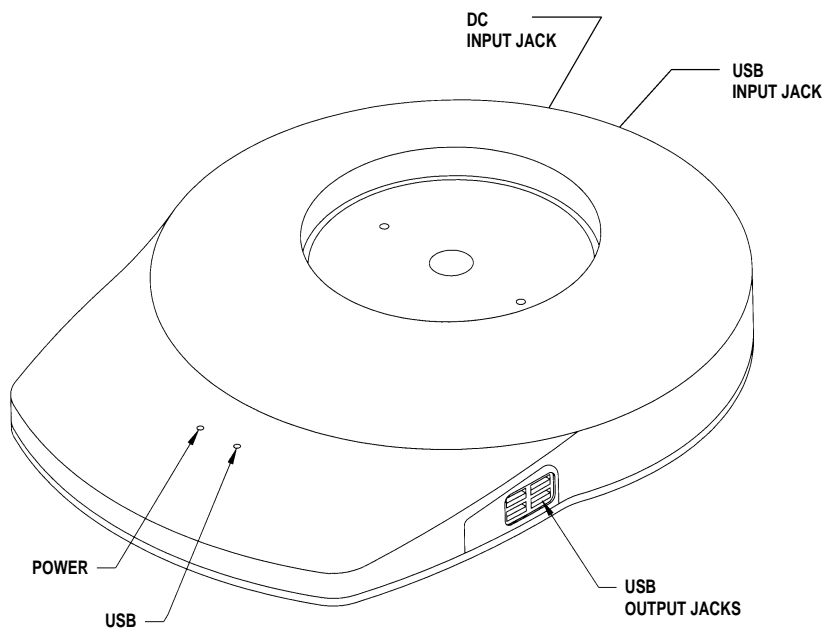
POWER: Indicator light illuminates when power is applied to the IntelliBase™ USB Hub.

USB: Indicator light illuminates when the IntelliBase is connected to a computer with an active USB port.

USB INPUT JACK: This connection provides bi-directional communication with the host computer using the USB cable provided with the IntelliBase.

USB OUTPUT JACK: Can be connected to virtually any USB device using a standard USB cable terminated with a Series A plug. Includes both high and low speed and high and low power USB devices.

NOTE: All four USB output jacks are identical and may be used interchangeably.



Specifications

USB Input Jacks	One Series B (rear-mounted)
USB Input Type	High Speed or Low Speed
USB Output Jacks	Four Series A (right side-mounted)
USB Output Type	High Speed or Low Speed High Power or Low Power
USB Output Current	Maximum per jack – 500mA
Power Requirements	AC 110-120V / 60Hz
Current Rating	0.3A @ 120V
Dimensions	265 mm (W) x 85 mm (H) x 320 mm (D) 10.4 inches (W) x 3.3 inches (H) x 12.6 inches (D)
Weight	0.9 kg/2.0 lbs
Environmental Considerations	
Operating Temperature	0° to +40°C
Humidity	10% to 90% (Non-Condensing)
Altitude	0 to 10,000 Feet
Storage Temperature	-40° to +60°C
Humidity	5% to 95% (Non-Condensing)
Altitude	0 to 45,000 Feet
System Hardware Requirements	
	PC with MS Windows® 98 and USB capabilities

NOTE: Technical specifications are subject to change without notice.

Troubleshooting

<i>SYMPTOMS</i>	<i>POSSIBLE PROBLEM</i>	<i>SOLUTION</i>	<i>NOTE</i>
<i>USB devices plugged into the IntelliBase do not work.</i>	No power to unit.	Make sure all connecting plugs between the IntelliBase and computer are fully seated. Make sure the wall power outlet or power strip has power. Make sure the power switch on the power strip is turned on.	The green power indicator on the IntelliBase will light when power is applied.
	USB cable is not properly connected.	Make sure both ends of the USB cable are fully seated in the computer and IntelliBase.	The green USB indicator will light when the USB line is active.
	USB device is plugged into the wrong USB port.	USB devices connected to the IntelliBase must be plugged into the output ports. These ports are found on the right side of the IntelliBase.	Do not plug a USB device into the rear of the IntelliBase. This USB port must be used to connect the host computer.
	There is a problem with the host computer or software.	Verify that USB devices will work when connected directly to the host computer.	For this check, disconnect the IntelliBase from the computer and plug the USB device (mouse, keyboard, etc.) directly into the computer.
	There is a problem with the specific USB device.	Using the same USB output port, try substituting a different USB device.	

NOTE: If the IntelliBase™ must be returned for repair, the unit must be disconnected from the monitor and packed in its original packaging.

References

- BBS (978) 742-8706
NEC Technologies Remote Bulletin Board System is an electronic service accessible with your system and a modem. Communication parameters are:
300/1200/2400/9600/14.4k/28.8k bps, no parity, 8-data bits, 1 stop bit
- Customer Service
 - Technical Support (800) 632-4662
 - Fax (978) 742-7049
- Electronic Channels:
 - Internet e-mail: tech-support@nectech.com
 - Internet ftp site: ftp.nectech.com
 - World Wide Web: http://www.nectech.com
- FastFacts™ Information (800) 366-0476

<u>INFORMATION</u>	<u>DESCRIPTION</u>	<u>DOCUMENT #</u>
MultiSync® IntelliBase™ USB Hub	Detailed multimedia base information	2010304
- Literature & Sales Info (800) NEC-INFO [(800) 632-4636]
- MultiSync Fulfillment (800) 820-1230
[For software & accessories]
- TeleSales (800) 284-4484

Declaration of the Manufacturer

We hereby certify that the multimedia base MultiSync IntelliBase USB Hub is in compliance with the relevant clauses of IEC 65 fifth edition/EN60950:1993 covering clauses 5, 7, 9, 10, 11, 12, 13, 14, 15, 16 and 17 only.

The IntelliBase™ complies with the safety objectives of the low voltage directive 73/23/EEC and EMC directive 89/336/EEC (EN 50082-1:1992 and EN 55013:1990, plus A12 1994 and A13 1996 incorporating EN 61000-3-2:1995 and EN 61000-3-3: 1995).

and marked with



Altec Lansing Technologies, Inc.
Milford, PA 18337-0227

Limited Warranty

NEC Technologies, Inc. (hereinafter "NECTECH"), warrants this Product to be free from defects in material and workmanship and, subject to the conditions set forth below, agrees to repair or replace (at NECTECH's sole option) any part of the enclosed unit which proves defective for a period of three (3) years from the date of first consumer purchase. Spare parts are warranted for ninety (90) days. Replacement parts or units may be new or refurbished and will meet all of the specifications of the original parts or unit.

This warranty gives you specific legal rights and you may also have other rights, which vary, from state to state. This warranty is limited to the original purchaser of the Product and is not transferable. This warranty covers only NECTECH-supplied components. Service required as a result of third party components is not covered under this warranty. In order to be covered under this warranty, the Product must have been purchased in the U.S.A. or Canada by the original purchaser. This warranty only covers Product distribution in the U.S.A. or Canada by NECTECH. No warranty service is provided outside of the U.S.A. or Canada. Proof of Purchase will be required by NECTECH to substantiate date of purchase. Such proof of purchase must be an original bill of sale or receipt containing name and address of seller, purchaser, and the serial number of the product.

It shall be your obligation and expense to have the Product shipped, freight prepaid, or delivered to the authorized reseller from whom it was purchased or other facility authorized by NECTECH to render the services provided hereunder in either the original package or a similar package affording an equal degree of protection. All Products returned to NECTECH for service MUST have prior approval, which may be obtained by calling 1-800-632-4662. The Product shall not have been previously altered, repaired, or serviced by anyone other than a service facility authorized by NECTECH to render such service, the serial number of the product shall not have been subjected to accident, misuse or abuse or operated contrary to the instructions contained in the User's Manual. Any such conditions will void this warranty.

NECTECH SHALL NOT BE LIABLE FOR DIRECT, INDIRECT INCIDENTAL, CONSEQUENTIAL, OR OTHER TYPES OF DAMAGES RESULTING FROM THE USE OF ANY NECTECH PRODUCT OTHER THAN THE LIABILITY STATED ABOVE. THESE WARRANTIES ARE IN LIEU OF ALL OTHER WARRANTIES EXPRESS OR IMPLIED, INCLUDING, BUT NOT LIMITED TO, THE IMPLIED WARRANTIES OF MERCHANTABILITY OR FITNESS FOR A PARTICULAR PURPOSE. SOME STATES DO NOT ALLOW THE EXCLUSION OF IMPLIED WARRANTIES OR THE LIMITATION OR EXCLUSION OF LIABILITY FOR INCIDENTAL OR CONSEQUENTIAL DAMAGES SO THE ABOVE EXCLUSIONS OR LIMITATIONS MAY NOT APPLY TO YOU.

This Product is warranted in accordance with the terms of this limited warranty. Consumers are cautioned that Product performance is affected by system configuration, software, the application, consumer data, and operator control of the system, among other factors. While NECTECH Products are considered to be compatible with many systems, specific functional implementation by the customers of the Product may vary. Therefore, suitability of a Product for a specific purpose or application must be determined by consumer and is not warranted by NECTECH.

For the name of your nearest authorized NECTECH service facility, contact NECTECH at 1-800-632-4662.

IMPORTANT

L'éclair avec tête de flèche, à l'intérieur d'un triangle équilatéral, est destiné à aviser l'utilisateur de la présence d'une « tension dangereuse » non isolée dans l'enceinte du produit qui peut être d'ampleur suffisante à créer un risque de secousses électriques aux personnes.

CAUTION

**RISK OF ELECTRIC SHOCK
DO NOT OPEN**

ATTENTION : POUR PRÉVENIR LE RISQUE DE SECOUSSÉS ÉLECTRIQUES, NE PAS RETIRER LE COUVERCLE NI LE DOS. ON NE TROUVE, À L'INTÉRIEUR, AUCUNE PIÈCE SUSCEPTIBLE D'ÊTRE ENTRETENUE PAR L'UTILISATEUR. CONFIER L'ENTRETIEN À DU PERSONNEL QUALIFIÉ.



Le point d'exclamation à l'intérieur d'un triangle équilatéral est destiné à aviser l'utilisateur de la présence d'importantes consignes d'utilisation et d'entretien dans la documentation accompagnant l'appareil.

Consignes de sécurité et entretien



POUR UNE PERFORMANCE OPTIMALE, PRIÈRE DE NOTER CE QUI SUIT LORS DE L'INSTALLATION ET DE L'UTILISATION DU PRODUIT MULTISYNC® INTELLIBASE™ AVEC LE MOYEU USB :



Lire les instructions — Il convient de lire toutes les instructions de sécurité et de fonctionnement avant d'utiliser l'appareil.

Conservier les instructions — Les instructions de fonctionnement doivent être conservées pour consultation future.

Observer les mises en garde — Il faut observer toutes les mises en garde inscrites sur l'appareil et dans les instructions de fonctionnement.

Suivre les instructions — Il faut suivre toutes les instructions de fonctionnement et d'utilisation.

Eau et humidité — L'appareil ne doit pas être utilisé à proximité d'eau - par exemple, près d'une baignoire, d'un lavabo, d'un évier de cuisine, d'une cuve à lessive, dans un sous-sol mouillé ou près d'une piscine, etc.

Utilisation extérieure — Mise en garde : Pour réduire le risque d'incendie ou de chocs électriques, ne pas exposer cet appareil à la pluie ou à l'humidité.

Emplacement — L'appareil doit être installé à un endroit stable. Ne pas utiliser le moniteur pendant le retrait de la base.

Ventilation — L'appareil doit être placé à un endroit où il recevra une ventilation adéquate. Ainsi, l'appareil ne doit pas être placé sur un lit, un sofa, un tapis ou une surface similaire pouvant bloquer les prises d'air ; il ne doit pas être placé dans une installation encastrée, comme dans une armoire ou une bibliothèque fermée qui peut gêner la circulation d'air à travers les prises d'air.

Chaleur — L'appareil doit être placé à l'écart des sources de chaleur telles que radiateurs, bouches de chaleur, poêles ou autres appareils (y compris les amplificateurs) qui produisent de la chaleur.

Sources de courant — Utiliser l'adaptateur c.a. fourni. L'appareil doit être branché sur une prise de courant uniquement du type décrit dans les instructions de fonctionnement ou comme indiqué sur l'appareil.

Protection du cordon d'alimentation — Les cordons d'alimentation doivent être acheminés de manière à ce qu'ils ne soient pas piétinés ni pincés par des objets placés sur eux ou contre eux. On doit porter une attention particulière aux cordons au niveau des fiches, des prises et du point où ils sortent de l'appareil.

Mise à la terre ou polarisation — Des précautions doivent être prises de manière à ne pas détourner les éléments de mise à la terre ou de polarisation d'un appareil.

Nettoyage — L'appareil doit être nettoyé uniquement avec un chiffon à polir ou un chiffon sec doux. Ne jamais nettoyer à l'aide de cire à meubles, de benzène, d'insecticides ou d'autres liquides volatils étant donné qu'ils peuvent corroder le boîtier.

Périodes de non-utilisation — Le cordon de l'appareil doit être débranché de la prise lorsque l'appareil ne doit pas être utilisé pendant une période prolongée.

Entrée d'objets et de liquide — Il faut veiller à ce qu'aucun objet ne tombe dans l'enceinte à travers ses ouvertures et qu'aucun liquide n'y soit déversé.

Dommages nécessitant une intervention de service — L'appareil ne doit être réparé que par le personnel de service qualifié lorsque :

- le cordon d'alimentation ou la fiche a été endommagé ;
- des objets sont tombés dans l'appareil ou un liquide y a été déversé ;
- l'appareil a été exposé à la pluie ;
- l'appareil ne semble pas fonctionner normalement ou son rendement a subi un changement significatif ;
- l'appareil est tombé ou son enceinte a été abîmée.

Service — L'utilisateur ne doit pas tenter de réparer l'appareil. Toutes les interventions de service doivent être confiées au personnel de service qualifié.

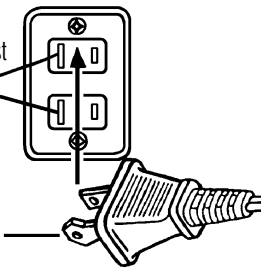
On peut également renvoyer l'appareil au vendeur ou appeler la ligne de service NEC TECH pour assistance au 1-800-632-4662.

Raccordement du cordon

Prise murale c.a.

La fente longue est le côté neutre (mise à la terre).

Insérer la lame large dans la fente du côté de mise à la terre.



ATTENTION : Pour prévenir les secousses électriques, ne pas utiliser cette fiche (polarisée) avec un cordon de rallonge ou une prise à moins que les lames ne puissent être insérées à fond pour prévenir l'exposition des lames.

MISE EN GARDE

POUR RÉDUIRE LE RISQUE D'INCENDIE OU DE SECOUSSES ÉLECTRIQUES, NE PAS EXPOSER CET APPAREIL À LA PLUIE OU À L'HUMIDITÉ.

Informations qui doivent vous être communiquées en vertu de la réglementation de la FCC

1. Utiliser le câble précisé et fourni avec le produit MultiSync IntelliBase de manière à ne pas gêner la réception de la radio et de la télévision.

Prière d'utiliser le câble d'alimentation fourni ou l'équivalent pour assurer la conformité aux normes de la FCC.

2. Ce matériel a été testé et s'est avéré conforme aux limites d'un dispositif numérique de classe B, conformément à la Partie 15 des règles de la FCC. Ces limites sont conçues de manière à offrir une protection raisonnable contre les interférences nuisibles dans une installation résidentielle. Ce matériel génère, utilise et peut émettre une énergie haute fréquence et, s'il n'est pas installé et utilisé conformément aux instructions, il peut causer des interférences nuisibles aux communications radio. Cependant, il n'y a aucune garantie que les interférences ne surviendront pas dans une installation particulière. Si ce matériel cause effectivement des interférences nuisibles à la réception de la radio ou de la télévision, ce qu'on peut établir en allumant et en fermant l'appareil, il est recommandé à l'utilisateur de tenter de remédier à l'interférence en prenant une ou plusieurs des mesures ci-après :

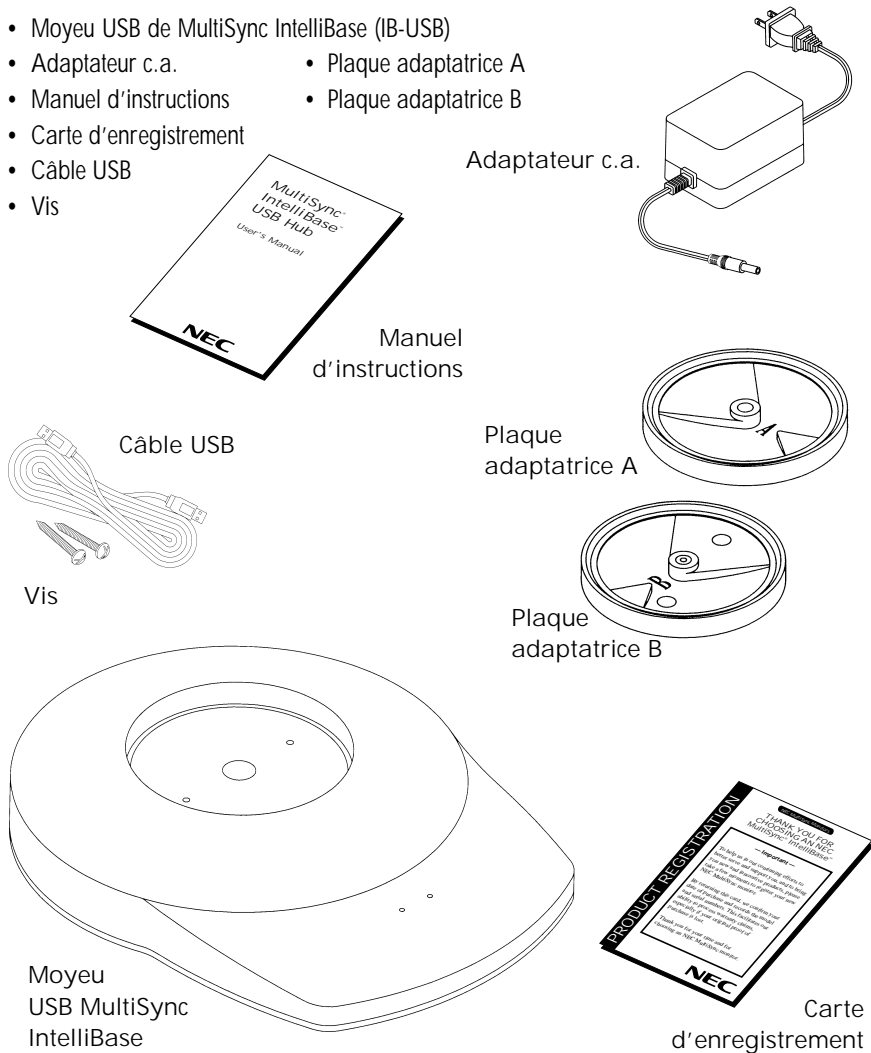
- a) Réorienter ou déplacer l'antenne de réception.
- b) Accroître la distance séparant le matériel et le récepteur.
- c) Brancher le matériel sur une prise ou un circuit autre que celui sur lequel le récepteur est branché.
- d) Consulter le vendeur ou un technicien radio/TV expérimenté pour obtenir de l'aide.

Au besoin, l'utilisateur doit se mettre en contact avec le vendeur ou un technicien radio/TV expérimenté pour des suggestions supplémentaires. La brochure intitulée « How to Identify and Resolve Radio-TV Interference Problems », préparée par la Federal Communications Commission, pourra peut-être aider l'utilisateur. On peut se la procurer auprès du U.S. Government Printing Office, Washington, D.C. 20402, No. de lot 004-000-00345-4.

Contenu

Votre nouveau carton* de moyeu USB de MultiSync® IntelliBase^{mc} de NEC Technologies doit contenir ce qui suit :

- Moyeu USB de MultiSync IntelliBase (IB-USB)
- Adaptateur c.a.
 - Plaque adaptatrice A
 - Plaque adaptatrice B
- Manuel d'instructions
- Carte d'enregistrement
- Câble USB
- Vis



* N'oubliez pas de conserver votre carton et votre matériel d'emballage d'origine pour transporter ou expédier le produit Moyeu USB MultiSync IntelliBase.

Remarque : Vous pouvez enregistrer votre produit sur l'Internet à <http://www.prodreg.com/nec>

Démarrage rapide

Mode de fixation du Moyeu USB IntelliBase^{mc} à votre moniteur de marque MultiSync[®]



LE MOYEU USB INTELLIBASE FONCTIONNERA UNIQUEMENT AVEC LES MONITEURS DE MARQUE MULTISYNC ÉNUMÉRÉS CI-APRÈS. NE PAS TENTER DE RACCORDER L'INTELLIBASE À UN MONITEUR DE QUELQUE AUTRE MARQUE.



S'ASSURER QUE LE MONITEUR EST DÉBRANCHÉ DU SYSTÈME ET DÉBRANCHÉ DE LA PRISE DE COURANT AVANT D'EFFECTUER QUELQUE TRAVAIL QUE CE SOIT SUR LE MONITEUR.



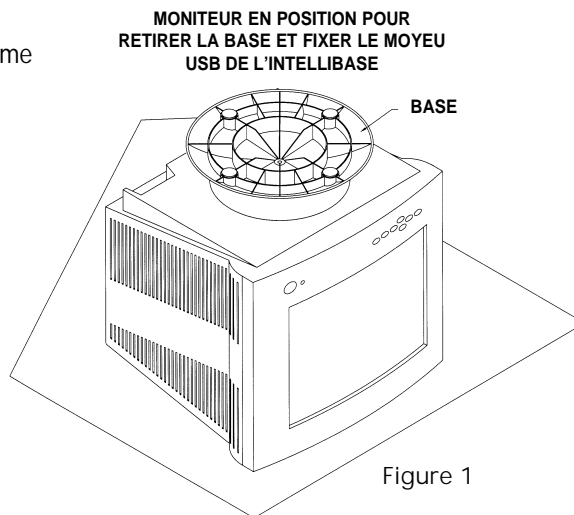
POUR LES MONITEURS DE 21 POUCHES, IL EST RECOMMANDÉ DE FAIRE PARTICIPER DEUX PERSONNES À L'ENSEMBLE DU PROCESSUS D'INSTALLATION.

La base d'origine doit d'abord être déposée afin de fixer l'IntelliBase au moniteur de marque MultiSync. Le mode de dépose de la base d'origine et la fixation de l'IntelliBase varieront en fonction du modèle du moniteur de marque MultiSync. Repérer le nom du modèle (inscrit dans le coin inférieur droit du biseau du moniteur) du moniteur de marque MultiSync dans le tableau ci-après. Suivre la procédure de dépose afin de détacher la base d'origine de son moniteur en se reportant aux schémas donnés sur les pages qui suivent, et de poser l'IntelliBase au moniteur.

Noms des modèles de moniteurs MultiSync	Instructions de dépose de la base d'origine du moniteur et d'installation de l'IntelliBase
MultiSync 50, MultiSync 70, XV15 et XV15+	Page 25
MultiSync XE15, XE17, XP15, XP17, XV17, XV17+, A500, A500+, A700, A700+, A900, E500, E700, E900, E900+, M500, M700 et P750	Page 27
MultiSync XE21, XP21, E1100, E1100+, P1150 et P1250+	Page 29

Noms des modèles de moniteurs MultiSync® MultiSync 50, MultiSync 70, XV15 et XV15+

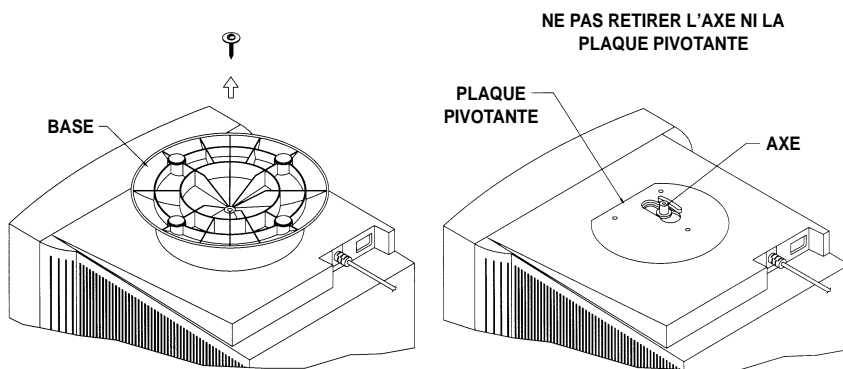
Étape 1 Le moniteur étant débranché du système et de la prise de courant, renverser soigneusement le moniteur sur une table solide de manière à ce que la base soit dirigée vers le haut comme illustré à la Figure 1.



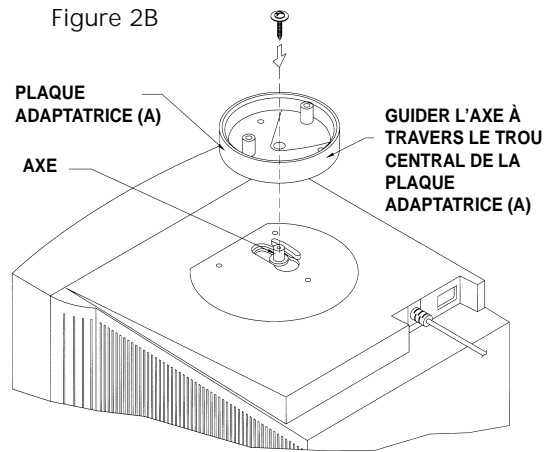
Étape 2 À l'aide d'un tournevis à empreinte cruciforme, retirer la vis retenant la base d'origine au moniteur comme illustré à la Figure 2A. Déposer et conserver la base d'origine en vue d'une éventuelle utilisation future.

Remarque : Ne pas retirer l'axe ni la plaque pivotante.

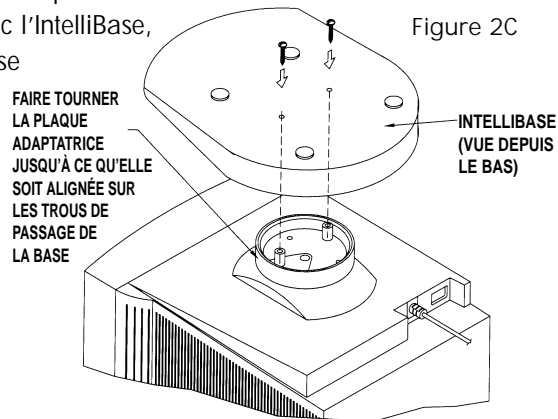
Figure 2A



Étape 3 Repérer la plaque adaptatrice « A » fournie avec l'IntelliBase^{mc}, et la fixer à l'axe à l'aide de la vis qui a été déposée à l'étape 2, comme illustré à la Figure 2B.



Étape 4 Repérer les deux vis qui sont fournies avec l'IntelliBase, et fixer l'IntelliBase à la plaque adaptatrice et au moniteur comme illustré à la Figure 2C.



Passer à la page 32 pour raccorder le moniteur MultiSync[®] avec moyeu USB IntelliBase à votre système.

Noms des modèles de moniteurs MultiSync®
 MultiSync XE15, XE17, XP15, XP17, XV17, XV17+, A500, A500+
 A700, A700+, A900, E500, E700, E900, E900+, M500, M700 et P750

Étape 1 Le moniteur étant débranché du système et de la prise de courant, renverser soigneusement le moniteur sur une table solide de manière à ce que la base soit dirigée vers le haut comme illustré à la Figure 1.

MONITEUR EN POSITION POUR
 RETIRER LA BASE ET FIXER LE MOYEU
 USB INTELLIBASE

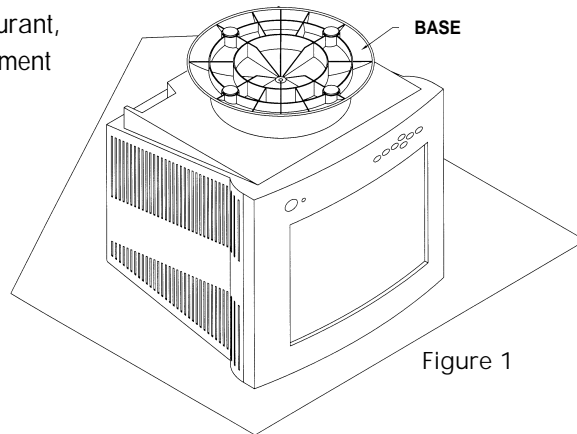
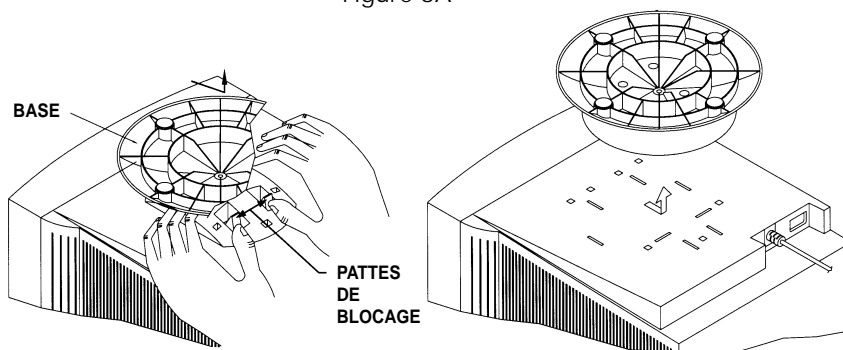


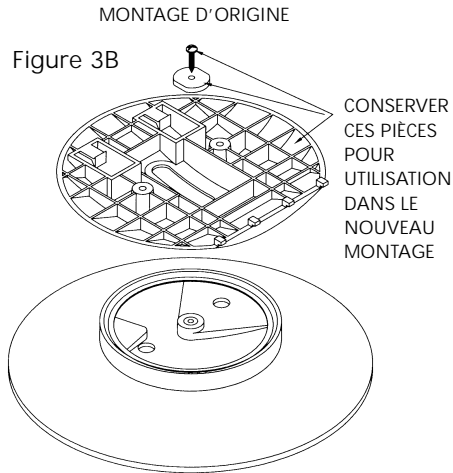
Figure 1

Étape 2 À l'aide de ses pouces, pousser sur les pattes de blocage tout en tirant vers l'avant et vers le haut comme illustré par la flèche directionnelle à la Figure 3A. Cette action détache la base du moniteur. Déposer et conserver la base d'origine en vue d'une éventuelle utilisation future.

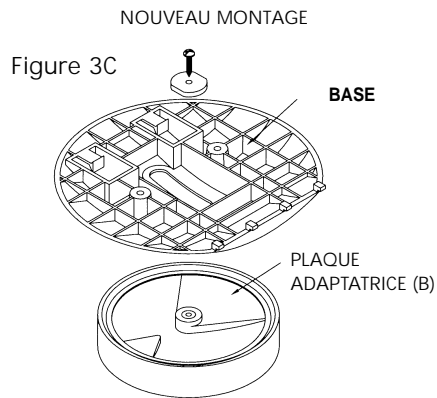
Figure 3A



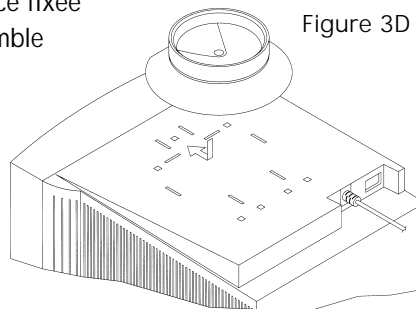
Étape 3 À l'aide d'un tournevis à empreinte cruciforme, retirer la vis retenant les deux moitiés de base ensemble comme illustré à la Figure 3B. Conserver la vis et la rondelle en nylon noir pour utilisation à l'étape suivante.



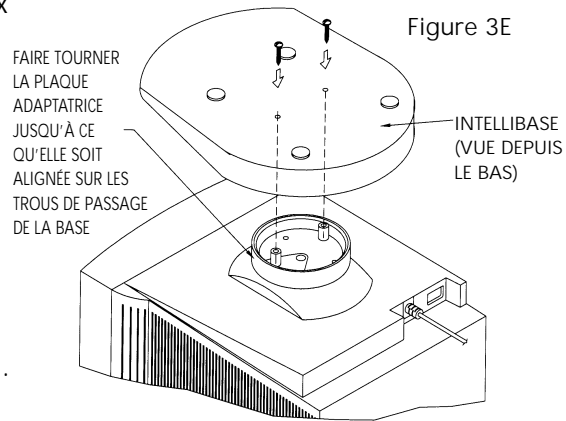
Étape 4 Repérer la plaque adaptatrice « B » fournie avec l'IntelliBase™, et la fixer à l'axe à l'aide de la vis et de la rondelle en nylon noir qui ont été déposées à l'étape 2, comme illustré à la Figure 3C.



Étape 5 Une fois la plaque adaptatrice fixée à la base, enclencher l'ensemble de base au moniteur. À cette fin, positionner toutes les pattes de blocage sur la base de manière à les assortir aux trous du moniteur. Faire glisser l'ensemble de base en place comme illustré à la Figure 3D.



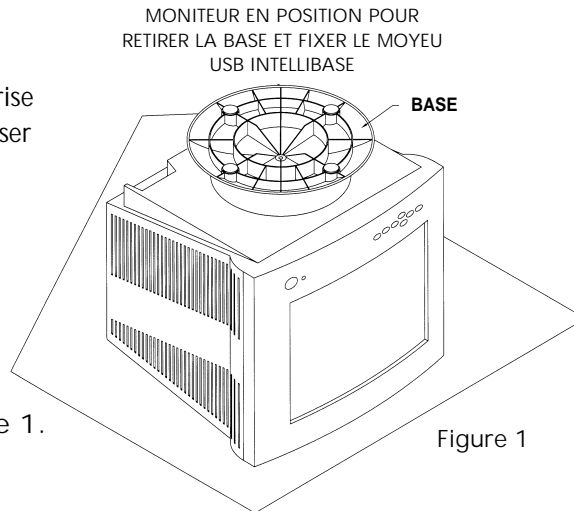
Étape 6 Repérer les deux vis qui sont fournies avec l'IntelliBase^{mc}, et fixer l'IntelliBase à la plaque adaptatrice et au moniteur comme illustré à la Figure 3E.



Passer à la page 32 pour raccorder le moniteur MultiSync[®] avec moyen USB IntelliBase à votre système.

Noms des modèles de moniteurs MultiSync MultiSync XE21, XP21, E1100, E1100+, P1150 et P1250+

Étape 1 Le moniteur étant débranché du système et de la prise de courant, renverser soigneusement le moniteur sur une table solide de manière à ce que la base soit dirigée vers le haut comme illustré à la Figure 1.



Étape 2 À l'aide d'un tournevis à empreinte cruciforme, retirer les trois vis retenant la base d'origine au moniteur. Retirer la base en la faisant glisser et en la soulevant comme illustré à la Figure 4A. Conserver ces vis pour utilisation aux étapes 6 et 7. Conserver la base d'origine en vue d'une éventuelle utilisation future.

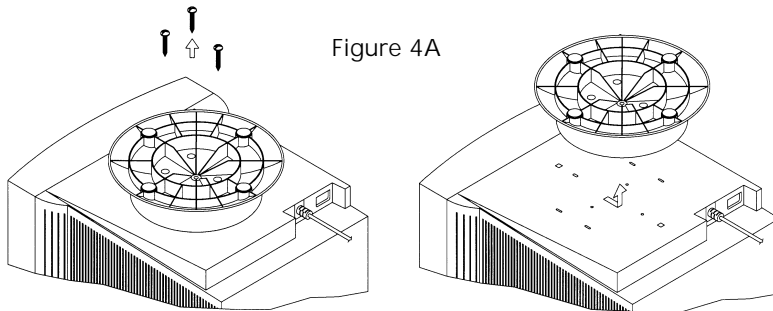


Figure 4A

Étape 3 À l'aide d'un tournevis à empreinte cruciforme, retirer la vis retenant les deux moitiés de base ensemble comme illustré à la Figure 4B. Conserver la vis et la rondelle en nylon noir pour utilisation à l'étape suivante.

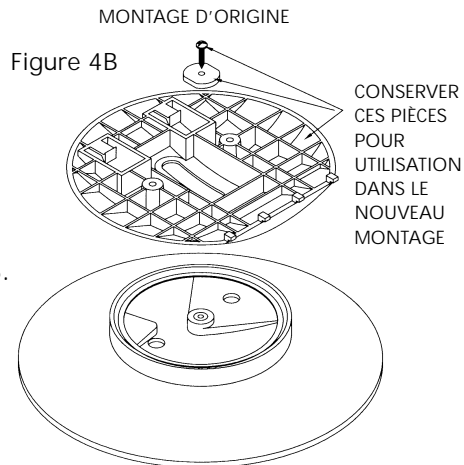


Figure 4B

MONTAGE D'ORIGINE

Étape 4 Repérer la plaque adaptatrice « B » fournie avec l'IntelliBase^{mc}, et la fixer à l'axe à l'aide de la vis et de la rondelle en nylon noir qui ont été déposées à l'étape 3, comme illustré à la Figure 4C.

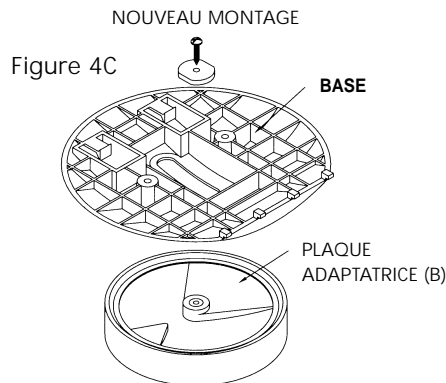


Figure 4C

NOUVEAU MONTAGE

Étape 5 Une fois la plaque adaptatrice fixée à la base, enclencher l'ensemble de base au moniteur. À cette fin, positionner toutes les pattes de blocage sur la base de manière à les assortir aux trous du moniteur. Faire glisser l'ensemble de base en place comme illustré à la Figure 4D.

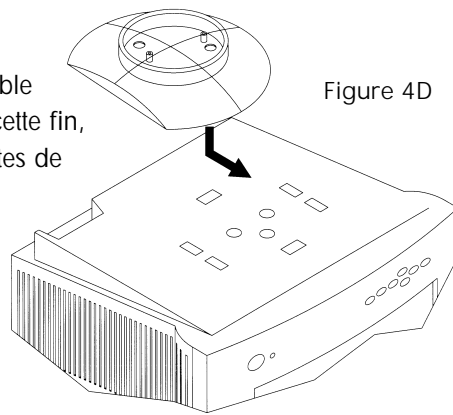


Figure 4D

Étape 6 En utilisant deux des vis qui ont été retirées à l'étape 2, fixer l'ensemble de plaque adaptatrice au moniteur. À cette fin, il faudra tourner la plaque adaptatrice entièrement en sens anti-horaire tout en la faisant glisser vers l'avant comme illustré à la Figure 4E. Ceci vous permettra de poser les deux vis arrière.

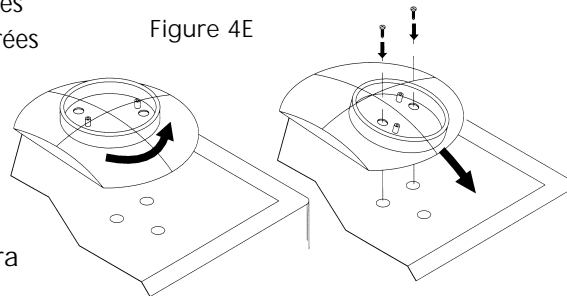


Figure 4E

Étape 7 En utilisant la vis restante qui a été retirée à l'étape 2, terminer la fixation de l'ensemble de plaque adaptatrice. À cette fin, il faudra faire glisser la plaque adaptatrice vers l'arrière comme illustré à la Figure 4F.

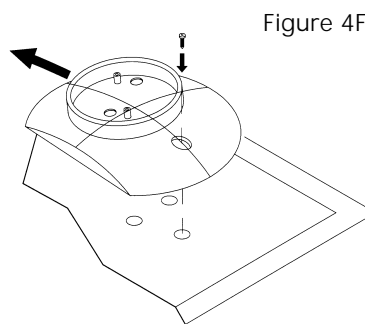


Figure 4F

Étape 8 Repérer les deux vis qui sont fournies avec l'IntelliBase^{mc}, et fixer l'IntelliBase à la plaque adaptatrice et au moniteur comme illustré à la Figure 4G.

FAIRE TOURNER LA PLAQUE ADAPTATRICE JUSQU'À CE QU'ELLE SOIT ALIGNÉE SUR LES TROUS DE PASSAGE DE LA BASE

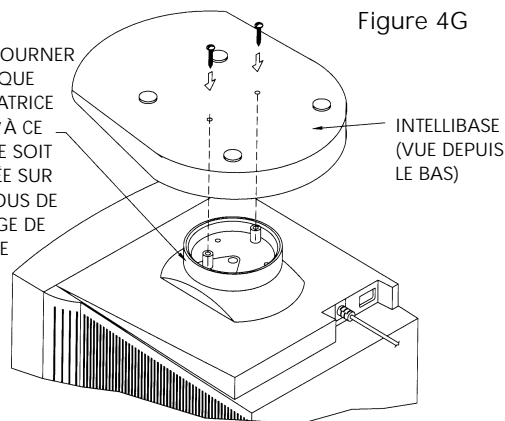


Figure 4G

Passer à la section ci-après pour raccorder le moniteur MultiSync[®] avec moyen USB IntelliBase à votre système.

Raccordement du moniteur MultiSync avec moyen USB IntelliBase à votre système

Étape 1 Une fois la nouvelle IntelliBase posée, remettre soigneusement le moniteur à l'endroit comme illustré à la Figure 5.

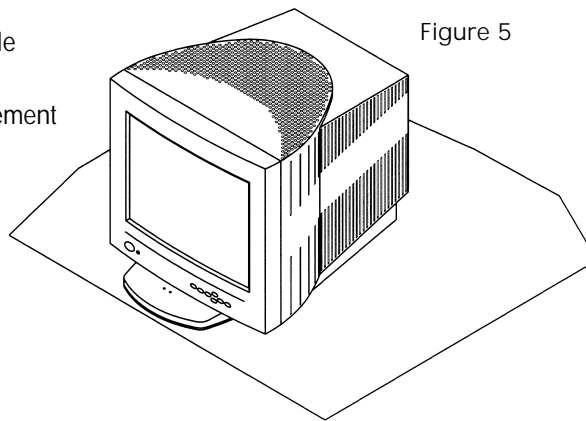
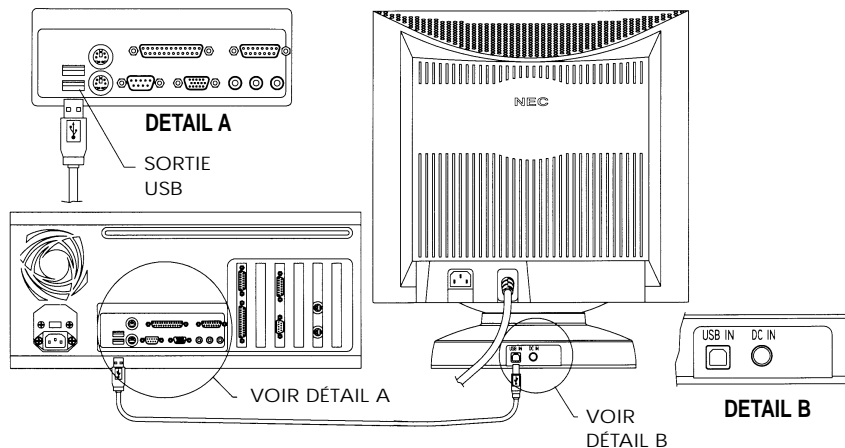


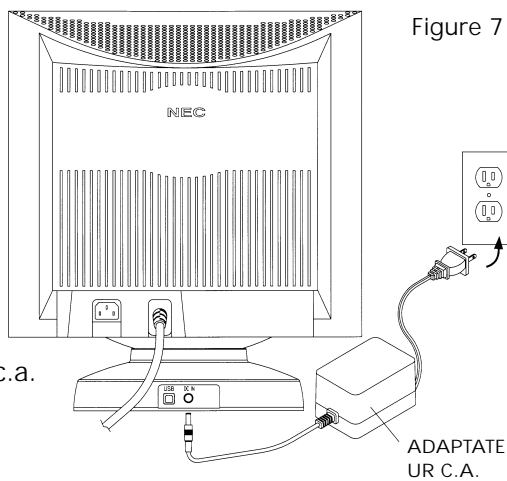
Figure 5

Étape 2 Brancher une extrémité du câble USB fourni à la prise d'entrée USB située à l'arrière de l'IntelliBase[™] (Détail B) et l'autre extrémité à la prise de sortie USB de votre système informatique (Détail A) comme illustré à la Figure 6.

Figure 6 - VUE ARRIÈRE



Étape 3 Brancher une extrémité de l'adaptateur c.a. fourni à la prise d'entrée c.c. située à l'arrière de l'IntelliBase, et l'autre extrémité dans n'importe quelle prise de courant 110-120 V c.a. comme illustré à la Figure 7.



REMARQUE : La DEL verte de tension à l'avant de l'IntelliBase doit être allumée après cette étape.

Étape 4 Rebrancher le moniteur MultiSync[®] à votre système informatique comme illustré dans le manuel d'instructions du moniteur.

Remarque : Les étapes 5 à 11 décrivent l'installation du lecteur USB pour le système d'exploitation Windows® 98. Les autres systèmes d'exploitation qui supportent l'USB peuvent suivre une procédure différente.

Étape 5 Mettre l'ordinateur sous tension. L'ordinateur reconnaîtra automatiquement votre IntelliBase™. L'Add Hardware Wizard recherchera, repérera et installera les lecteurs du contrôleur USB et du dispositif de moyeu dont l'IntelliBase a besoin.



Étape 6 Cliquer sur le bouton Next > pour commencer l'installation du lecteur.



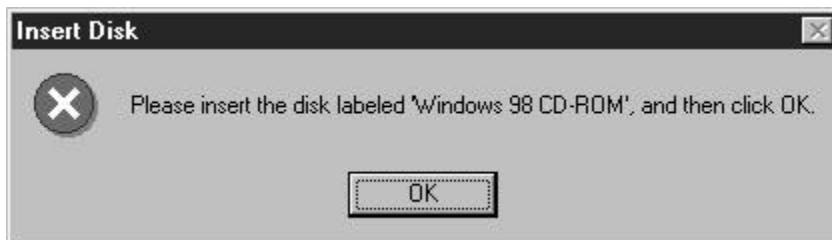
Étape 7 Sélectionner Search for the best driver for your device (Rechercher le meilleur lecteur pour votre dispositif), puis cliquer sur le bouton Next >.



Étape 8 Cliquer sur le bouton Next > pour sélectionner l'emplacement implicite du lecteur.



Étape 9 Cliquer sur le bouton Next > pour installer les lecteurs.
L'Hardware Wizard copiera les fichiers nécessaires et installera les lecteurs.



Étape 10 Insérer le CD-ROM Windows® 98, puis cliquer sur OK. Les fichiers nécessaires sont copiés du CD-ROM Windows 98.



Étape 11 Le logiciel a été chargé efficacement, et vous êtes maintenant prêt à utiliser votre IntelliBase^{mc}.

Commandes

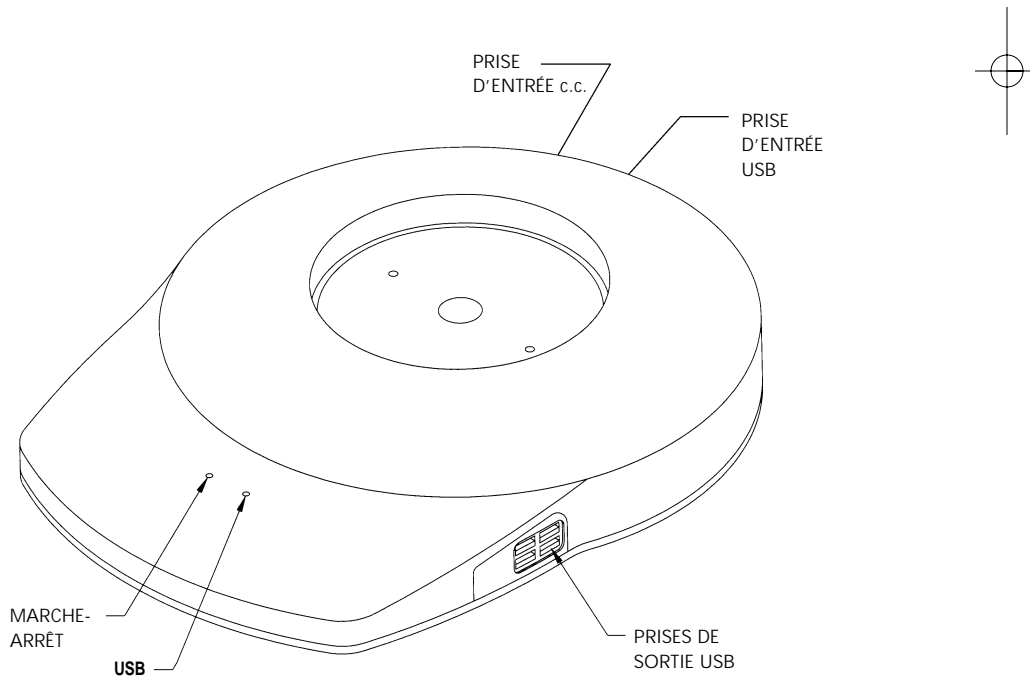
POWER : Un témoin lumineux s'allume lorsque le moyeu USB IntelliBase^{mc} est mis sous tension.

USB : Un témoin lumineux s'allume lorsque l'IntelliBase est raccordée à un ordinateur avec port USB actif.

PRISE D'ENTRÉE USB : Ce raccordement assure une communication bidirectionnelle avec l'ordinateur hôte à l'aide du câble USB fourni avec l'IntelliBase.

PRISE DE SORTIE USB : Peut être raccordée à essentiellement tout dispositif USB à l'aide d'un câble USB standard qui se termine par une fiche de série A. Comprend les dispositifs USB à la fois à haute vitesse et à basse vitesse et haute puissance aussi bien que basse puissance.

REMARQUE : Les quatre prises de sortie USB sont identiques et elles peuvent être utilisées de manière interchangeable.



Caractéristiques

Prises d'entrée USB	Une de série B (montage arrière)
Type d'entrée USB	Haute vitesse ou basse vitesse
Prises de sortie USB	Quatre de série A (montage du côté droit)
Type de sortie USB	Haute vitesse ou basse vitesse Haute puissance ou basse puissance
Courant de sortie USB	Maximum par prise - 500 mA
Alimentation nécessaire	110-120 V c.a. / 60 Hz
Courant nominal	0,3 A à 120 V
Dimensions	265 mm (La) x 85 mm (H) x 320 mm (P) 10,4 po (La) x 3,3 po (H) x 12,6 po (P)
Poids	0,9 kg (2,0 lbs)
Environnement	
Température de service	0 à 40oC
Humidité	10 à 90 % (sans condensation)
Altitude	0 à 10 000 pi
Température de stockag	-40 à +60oC
Humidité	5 à 95 % (sans condensation)
Altitude	0 à 45 000 pi
Exigences en matériel informatique	PC avec capacités MS Windows® 98 et USB

REMARQUE : Les caractéristiques techniques peuvent être modifiées sans préavis.

Dépannage

SYMPTÔMES	PROBLÈME POSSIBLE	SOLUTION	REMARQUE
Les dispositifs USB branchés dans l'IntelliBase ne fonctionnent pas.	L'appareil n'est pas sous tension.	S'assurer que toutes les fiches de connexion entre l'IntelliBase et l'ordinateur sont bien enfoncées. Vérifier que la prise électrique murale ou la multiprise est alimentée en courant. S'assurer que l'interrupteur de la multiprise est mis en marche.	Le témoin lumineux vert de tension de l'IntelliBase s'allume lorsque l'appareil est mis sous tension.
	Le câble USB n'est pas branché adéquatement.	S'assurer que les deux extrémités du câble USB sont bien calées dans l'ordinateur et l'IntelliBase.	Le témoin lumineux USB vert s'allume lorsque la ligne USB est active.
	Le dispositif USB est branché dans le mauvais port USB.	Les dispositifs USB raccordés à l'IntelliBase doivent être branchés dans les ports de sortie. Ces ports se trouvent sur le côté droit de l'IntelliBase.	Ne pas brancher un dispositif USB à l'arrière de l'IntelliBase. Ce port USB doit être utilisé pour raccorder l'ordinateur hôte.
	Il y a un problème avec l'ordinateur hôte ou le logiciel.	que les dispositifs USB fonctionnent lorsqu'ils sont branchés directement sur l'ordinateur hôte.	Aux fins de cette vérification, débrancher l'IntelliBase de l'ordinateur et brancher le dispositif USB (souris, clavier, etc.) directement dans l'ordinateur.
	Il y a un problème avec le dispositif USB spécifique.	En utilisant le même port de sortie USB, essayer de substituer un dispositif USB différent.	

REMARQUE : Si l'IntelliBase^{mc} doit être renvoyée pour réparation, l'appareil doit être débranché du moniteur et emballé dans son emballage d'origine.

Références

- BBS (978) 742-8706
Le NEC Technologies Remote Bulletin Board System est un service électronique accessible par l'intermédiaire de votre système et d'un modem. Les paramètres de communication sont les suivants : 300/1200/2400/9600/14,4 k/28,8 k bps, aucune parité, 8 bits de données, 1 bit stop
 - Service clientèle
Assistance technique (800) 632-4662
Télécopieur (978) 742-7049
 - Moyens électroniques :
Courrier électronique Internet : tech-support@nectech.com
Site ftp Internet : ftp.nectech.com
World Wide Web : http://www.nectech.com
 - Informations FastFacts^{mc} (800) 366-0476
- | <u>INFORMATIONS</u> | <u>DESCRIPTION</u> | <u>NO. DOCUMENT</u> |
|---|--|---------------------|
| MultiSync [®] IntelliBase ^{mc}
Moyeu USB | Informations détaillées
sur la base multimédias | 2010304 |
- Documentation et info commerciale (800) NEC-INFO [(800) 632-4636]
 - MultiSync Fulfillment (800) 820-1230
[Pour logiciels et accessoires]
 - Téléventes (800) 284-4484

Déclaration du fabricant

Nous attestons par les présentes que la base multimédias MultiSync IntelliBase Moyeu USB est conforme aux clauses pertinentes de l'IEC 65 cinquième édition/EN60950 : clauses 1993 pertinentes 5, 7, 9, 10, 11, 12, 13, 14, 15, 16 et 17 seulement.

L'IntelliBase^{mc} se conforme aux objectifs de sécurité de la directive basse tension 73/23/CEE et des directives EMC 89/336/EEC (EN 50082-1: 1992 et EN 55013 : 1990, plus A12 1994 et A13 1996 incorporant EN 61000-3-2 : 1995 et EN 61000-3-3 : 1995).

et marqué à l'aide de



Altec Lansing Technologies, Inc.
Milford, PA 18337-0227

Garantie limitée

NEC Technologies, Inc. (ci-après « NECTECH ») garantit que ce produit est exempt de vices de matériaux et d'exécution et, sous réserve des conditions énoncées ci-après, convient de réparer ou de remplacer (au choix exclusif de NECTECH) toute pièce de l'appareil qui s'avère défectueuse pendant une période de trois (3) ans depuis la date d'achat par le consommateur d'origine. Les pièces de rechange sont garanties pendant quatre-vingt-dix (90) jours. Les appareils ou les pièces de rechange peuvent être neufs ou refaits et ils satisferont à toutes les caractéristiques des pièces ou de l'appareil d'origine.

Cette garantie vous donne des droits précis et vous pouvez également avoir d'autres droits qui varient d'une province à l'autre. Cette garantie est accordée uniquement à l'acheteur d'origine du produit et elle n'est pas cessible. Cette garantie couvre uniquement les composants fournis par NECTECH. Le service rendu nécessaire sur les composants de tiers n'est pas couvert par cette garantie. Pour être couvert par cette garantie, le produit doit avoir été acheté aux États-Unis ou au Canada par l'acheteur d'origine. Cette garantie couvre uniquement la distribution de produits aux États-Unis ou au Canada par NECTECH. Aucun service n'est fourni sous couvert de garantie à l'extérieur des États-Unis ou du Canada. NECTECH exigera une preuve d'achat au soutien de la date d'achat. Cette preuve d'achat doit être sur la facture ou le reçu d'origine contenant le nom et l'adresse du vendeur, ceux de l'acheteur, ainsi que le numéro de série du produit.

Il vous incombera de faire expédier le produit à vos frais, port prépayé, ou de le faire livrer, toujours à vos frais, au revendeur agréé à qui il a été acheté ou à un autre centre agréé par NECTECH pour rendre les services prévus aux présentes, soit dans l'emballage d'origine soit dans un emballage similaire offrant une protection équivalente. Tous les produits renvoyés à NECTECH pour service DOIVENT faire l'objet d'une approbation préalable, laquelle peut être obtenue en composant le 1-800-632-4662. Le produit ne doit pas avoir été altéré, réparé ou entretenu précédemment par une personne autre qu'un centre de service agréé par NECTECH pour rendre ce service ; le numéro de série du produit ne doit pas avoir fait l'objet d'un accident, d'une utilisation abusive ou erronée, ou d'une utilisation contraire aux instructions contenues dans le manuel d'instructions. Toutes ces conditions annuleront cette garantie.

NECTECH NE SERA RESPONSABLE D'AUCUNS DOMMAGES DIRECTS, INDIRECTS, ACCESSOIRES, ANCILLAIRES OU AUTRES TYPES DE DOMMAGES PAR SUITE DE L'UTILISATION DE TOUT PRODUIT NECTECH, SA RESPONSABILITÉ SE LIMITANT UNIQUEMENT À CE QUI EST INDIQUÉ CI-DESSUS. CES GARANTIES TIENNENT LIEU DE TOUTE AUTRE GARANTIE EXPLICITE OU IMPLICITE, Y COMPRIS, DE MANIÈRE NON LIMITATIVE, LES GARANTIES IMPLICITES DE COMMERCIALISATION OU D'APTITUDE À UNE FIN PARTICULIÈRE. CERTAINES JURIDICTIONS N'AUTORISENT PAS L'EXCLUSION DES GARANTIES IMPLICITES NI LA LIMITATION OU L'EXCLUSION DE RESPONSABILITÉ AU TITRE DE DOMMAGES INDIRECTS OU ACCESSOIRES. IL SE PEUT DONC QUE LES EXCLUSIONS OU LES LIMITATIONS SUSVISÉES NE S'APPLIQUENT PAS À VOUS.

Ce produit est garanti conformément aux modalités de cette garantie limitée. Les consommateurs sont avisés que la performance du produit est affectée, entre autres, par la configuration du système, le logiciel, l'application, les données du consommateur et le contrôle du système par l'opérateur. Bien que les produits NECTECH soient considérés comme étant compatibles avec de nombreux systèmes, la mise en oeuvre fonctionnelle spécifique du produit peut varier suivant les clients. Par conséquent, il incombe au consommateur de déterminer si un produit convient au but ou à une application spécifique qu'il veut en faire, et NECTECH n'assume aucune responsabilité à cet égard.

Pour connaître le nom du centre de service NECTECH agréé le plus proche de vous, contactez NECTECH au 1-800-632-4662.

AVIS DE PROPRIÉTÉ EXCLUSIVE ET DÉNÉGATION DE RESPONSABILITÉ

Les informations divulguées dans ce document, y compris tous les dessins et matériel connexe, constituent la propriété précieuse de NEC Technologies et/ou de ses licenciées, le cas échéant, réservent tous les droits de brevet, de copyright et autres droits de propriété exclusive à ce document, y compris tous les droits de dessin, de fabrication, de reproduction, d'utilisation et de vente à celui-ci, sauf dans la mesure où lesdits droits sont explicitement accordés à d'autres.

Le ou les produits de NEC Technologies abordés dans ce document sont garantis conformément aux modalités de l'énoncé de garantie limitée accompagnant chaque produit. Cependant, la performance effective de chacun de ces produits dépend de facteurs tels que la configuration du système, les données du client et le contrôle par l'opérateur. Étant donné que la mise en oeuvre de chaque produit peut varier suivant les clients, il incombe au client de déterminer le caractère adéquat des configurations et des applications particulières des produits qui n'est pas garanti par NEC Technologies.

Dans le but d'améliorer les conceptions et les caractéristiques, les informations contenues dans ce document peuvent être modifiées sans préavis. La reproduction de ce document ou de parties de ceux-ci sans l'approbation préalable de NEC Technologies est interdite.

DÉCLARATION DE CONFORMITÉ

Ce dispositif est conforme à la Partie 15 des Règles de la FCC. L'utilisation est sujette aux deux conditions ci-après : (1) ce dispositif ne peut causer des interférences nuisibles, et (2) ce dispositif doit accepter toute interférence reçue, y compris une interférence qui peut causer un fonctionnement non désiré.

Responsable aux É.U. :	NEC Technologies, Inc. 1250 N. Arlington Heights Road Itasca, Illinois 60143
No. de téléphone :	(630) 467-5000

Type de produit : Périphérique informatique
 Classification du matériel : Périphériques de classe B
 Modèles : IB-USB



Nous déclarons par les présentes que le matériel décrit ci-dessus est conforme aux normes techniques précisées dans les règles de la FCC.



Pièce No. A3844
 Imprimé en Chine

MultiSync est une marque déposée de NEC Technologies, Inc. aux É.U. et de NEC Home Electronics Ltd. au Canada, au R.U., en Allemagne, en France, en Espagne, en Italie, en Autriche, au Bénélux, en Suisse, au Danemark, en Finlande, en Norvège et en Arabie saoudite. IntelliBase et Fastfacts sont des marques de commerce de NEC Technologies, Inc. aux États-Unis et au Canada. NEC est une marque déposée de NEC Corporation Copyright 1998 par NEC Technologies, Inc. Altec Lansing est une marque déposée de la société Altec Lansing Technologies, Inc. Windows est une marque déposée de Microsoft Corporation. Toutes les autres marques et tous les autres noms de produit sont des marques de commerce ou des marques déposées de leurs titulaires respectif.

PROPRIETARY NOTICE AND LIABILITY DISCLAIMER

The information disclosed in this document, including all designs and related materials, is the valuable property of NEC Technologies and/or its licensors, as appropriate, reserve all patent, copyright and other proprietary rights to this document, including all design, manufacturing, reproduction, use and sales rights thereto, except to the extent said rights are expressly granted to others.

The NEC Technologies product(s) discussed in this document are warranted in accordance with the terms of the Limited Warranty Statement accompanying each product. However, actual performance of each such product is dependent upon factors such as system configuration, customer data and operator control. Since implementation by customers of each product may vary, the suitability of specific product configurations and applications must be determined by the customer and is not warranted by NEC Technologies.

To allow for design and specification improvements, the information in this document is subject to change without notice. Reproduction of this document or portions thereof without prior approval of NEC Technologies is prohibited.

DECLARATION OF CONFORMITY

This device complies with Part 15 of FCC Rules. Operation is subject to the following two conditions. (1) This device may not cause harmful interference, and (2) this device must accept any interference received, including interference that may cause undesired operation.

U.S. Responsible Party:	NEC Technologies, Inc. 1250 N. Arlington Heights Road Itasca, Illinois 60143
Tel.No.:	(630) 467-5000

Type of Product: Computer Peripheral
 Equipment Classification: Class B Peripherals
 Models: IB-USB



We hereby declare that the equipment specified above conforms to the technical standards as specified in the FCC rules



Part No. A3844
Printed in China

MultiSync is a registered trademark of NEC Technologies, Inc. in the U.S. and of NEC Home Electronics Ltd. In Canada, UK, Germany, France, Spain, Italy, Austria, Benelux, Switzerland, Denmark, Finland, Norway and Saudi Arabia. IntelliBase and Fastfacts are trademarks of NEC Technologies, Inc. in the U.S. and Canada. NEC is a registered trademark of NEC Corporation Copyright 1998 by NEC Technologies, Inc. Altec Lansing is a registered trademark of Altec Lansing Technologies, Inc. Windows is a registered trademark of Microsoft Corporation. All other brands and product names are trademarks or registered trademarks of their respective owners.

Free Manuals Download Website

<http://myh66.com>

<http://usermanuals.us>

<http://www.somanuals.com>

<http://www.4manuals.cc>

<http://www.manual-lib.com>

<http://www.404manual.com>

<http://www.luxmanual.com>

<http://aubethermostatmanual.com>

Golf course search by state

<http://golfingnear.com>

Email search by domain

<http://emailbydomain.com>

Auto manuals search

<http://auto.somanuals.com>

TV manuals search

<http://tv.somanuals.com>