

MultiSync® IntelliBase™ Audio

User's Manual

MultiSync

CONTROL

PROCEED

RESET

NEC

IntelliBase



NEC
NEC Technologies

Index

| | |
|------------------|------|
| Contents | 1 |
| Quick Start | 2-11 |
| Controls | 12 |
| Specifications | 13 |
| Troubleshooting | 14 |
| References | 15 |
| Limited Warranty | 16 |

Table des matières

| | |
|------------------|-------|
| Contenu | 19 |
| Démarrage rapide | 20-29 |
| Commandes | 30 |
| Caractéristiques | 31 |
| Dépannage | 32 |
| Références | 33 |
| Garantie Limitée | 34 |

Safety Precautions and Maintenance



FOR OPTIMUM PERFORMANCE, PLEASE NOTE THE FOLLOWING
WHEN SETTING UP AND USING THE MULTISYNC INTELLIBASE AUDIO:



Read Instructions — All the safety and operating instructions should be read before the appliance is operated.

Retain Instructions — The operating instructions should be retained for future reference.

Heed Warning — All warnings on the appliance and in the operating instructions should be adhered to.

Follow Instructions — All operating and use instructions should be followed.

Water and Moisture — The appliance should not be used near water — for example, near a bathtub, washbowl, kitchen sink, laundry tub, in a wet basement, or near a swimming pool, etc.

Outdoor Use — **Warning:** To reduce the risk of fire or electric shock, do not expose this appliance to rain or moisture.

Location — The appliance should be installed in a stable location. Do not use the monitor while the base is removed.

Ventilation — The appliance should be situated so that its location or position does not interfere with its proper ventilation. For example, the appliance should not be situated on a bed, sofa, rug, or similar surface that may block the ventilation openings; or placed in a built-in installation, such as a closed bookcase or cabinet that may impede the flow of air through the ventilation openings.

Heat — The appliance should be situated away from heat sources such as radiators, heat registers, stoves, or other appliances (including amplifiers) that produce heat.

Power Sources — Use the supplied AC adapter. The appliance should be connected to a power supply only of the type described in the operating instructions or as marked on the appliance. Do not use the supplied AC adapter with any other devices.

Power-Cord Protection — Power-supply cords should be routed so that they are not likely to be walked on or pinched by items placed upon or against them. Pay particular attention to cords at plugs, convenience receptacles, and the point where they exit from the appliance.

Image and Sound — Adjust the sound output for optimal image and speaker clarity.

Grounding or Polarization — Precautions should be taken so that the grounding or polarization means of an appliance is not defeated.

Cleaning — The appliance should be cleaned only with a polishing cloth or a soft dry cloth. Never clean with furniture wax, benzene, insecticides or other volatile liquids since they may corrode the cabinet.

Non-Use Periods — The power cord of the appliance should be unplugged from the outlet when left unused for a long period of time.

Object and Liquid Entry — Care should be taken so that objects do not fall and liquids are not spilled into the enclosure through openings.

Damage Requiring Service — The appliance should be serviced by qualified service personnel when:

- The power-supply cord or the plug has been damaged.
- Objects have fallen, or liquid has been spilled into the appliance.
- The appliance has been exposed to rain.
- The appliance does not appear to operate normally or exhibits a marked change in performance.
- The appliance has been dropped or the enclosure damaged.

Service — The user should not attempt to service the appliance. Servicing should be referred to qualified service personnel or returned to the dealer or call the NEC TECH service line for assistance at 1-800-632-4662.

The FCC Wants You to Know

1. Use the attached specified cable with the MultiSync IntelliBase so as not to interfere with radio and television reception.

Please use the supplied power cable or equivalent to ensure FCC compliance.

2. This equipment has been tested and found to comply with the limits for a Class B digital device, pursuant to Part 15 of the FCC rules. These limits are designed to provide reasonable protection against harmful interference in a residential installation. This equipment generates, uses and can radiate radio frequency energy and, if not installed and used in accordance with the instructions, may cause harmful interference to radio communications. However, there is no guarantee that interference will not occur in a particular installation. If this equipment does cause harmful interference to radio or television reception, which can be determined by turning the equipment off and on, the user is encouraged to try to correct the interference by one or more of the following measures:

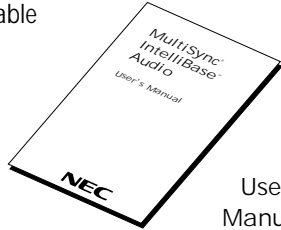
- a) Reorient or relocate the receiving antenna.
- b) Increase the separation between the equipment and receiver.
- c) Connect the equipment to an outlet on a circuit different from that to which the receiver is connected.
- d) Consult the dealer or an experienced radio/TV technician for help.

If necessary, the user should contact the dealer or an experienced radio/television technician for additional suggestions. The user may find the following booklet, prepared by the Federal Communications Commission, helpful: "How to Identify and Resolve Radio-TV Interference Problems." This booklet is available from the U.S. Government Printing Office, Washington, D.C., 20402, Stock No. 004-000-00345-4

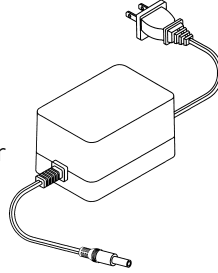
Contents

Your new NEC Technologies MultiSync® IntelliBase™ Audio carton box* should contain the following:

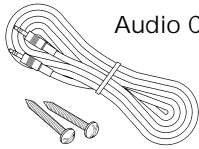
- MultiSync IntelliBase Audio (IB-AUDIO)
- AC Adapter
- User's Manual
- Registration Card
- Audio Cable
- Screws
- Adapter Plate A
- Adapter Plate B



User's Manual

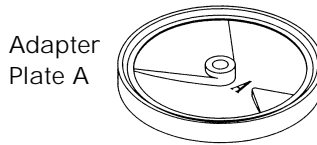


AC Adapter

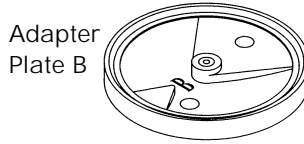


Audio Cable

Screws

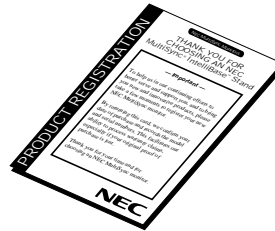


Adapter Plate A



Adapter Plate B

Registration Card



MultiSync
IntelliBase Audio

* Remember to save your original box and packaging material to transport or ship the MultiSync IntelliBase Audio.

Note: You can register your product on the Internet at <http://www.prodreg.com/nec>

Quick Start

How to attach IntelliBase™ Audio to your MultiSync® brand monitor



MAKE SURE THE MONITOR IS DISCONNECTED FROM THE SYSTEM AND IS UNPLUGGED FROM THE WALL OUTLET BEFORE ANY WORK IS DONE ON THE MONITOR.



FOR 21-INCH MONITORS, IT IS ADVISED THAT TWO PEOPLE ARE INVOLVED DURING THE ENTIRE INSTALLATION PROCESS.

To attach the IntelliBase to your MultiSync brand monitor, the original base must first be removed. Depending on the model of your MultiSync brand monitor, the removal procedure of the original base and the attachment of the IntelliBase will vary. Locate the model name (located in the lower right corner of your monitor's bezel) of your MultiSync brand monitor in the table below. Follow the removal procedure to detach the original base from your monitor using the diagrams on the following pages and attach the IntelliBase to your monitor.

| MultiSync Monitor Model Names | Original Monitor Base Removal and IntelliBase Installation Instructions |
|---|---|
| MultiSync 50, MultiSync 70, XV15 and XV15+ | Page 3 |
| MultiSync 90, XE15, XE17, XP15, XP17, XV17, XV17+, A500, A500+, A700, A700+, A900, E500, E700, E900, E900+, M500, M700 and P750 | Page 5 |
| MultiSync XE21, XP21, E1100, E1100+, P1150 and P1250+ | Page 7 |

MultiSync Monitor Model Names

MultiSync 50, MultiSync 70, XV15 and XV15+

Step 1 With the monitor unplugged from your system and the wall outlet, carefully turn the monitor upside down on a firm table so that the base is facing up as shown in Figure 1.

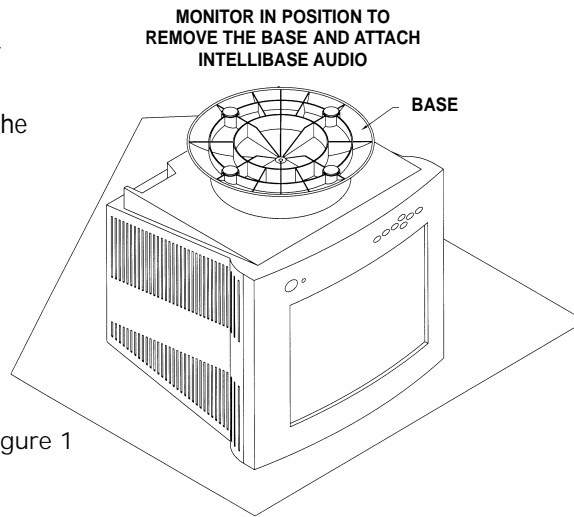
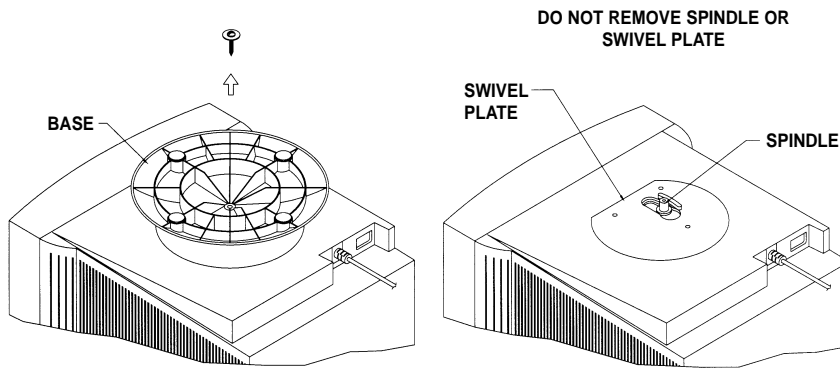


Figure 1

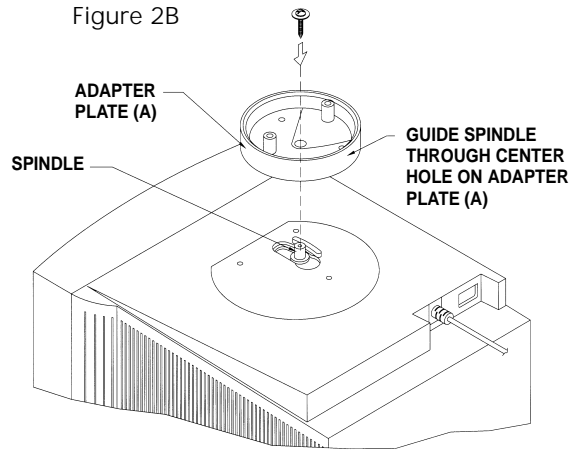
Step 2 Using a Phillips screwdriver, remove the screw securing the original base to the monitor as shown in Figure 2A. Remove and save the original base for possible future use.

Note: Do not remove the spindle or swivel plate.

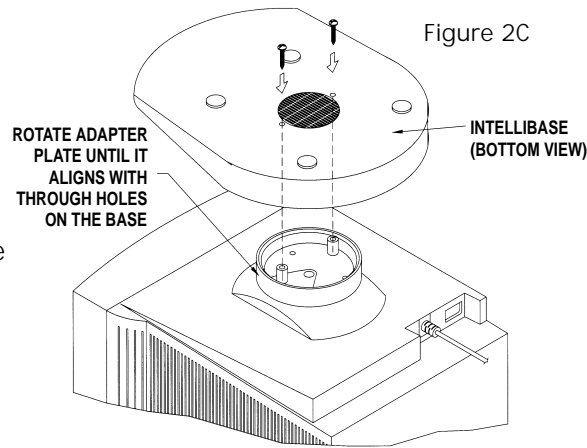
Figure 2A



Step 3 Locate Adapter Plate "A" that is supplied with the IntelliBase and secure it to the spindle using the screw that was removed in Step 2 as shown in Figure 2B.



Step 4 Locate the two screws that are supplied with the IntelliBase and attach the IntelliBase to the adapter plate and monitor as shown in Figure 2C.



Proceed to Page 10 to connect your MultiSync monitor with IntelliBase Audio to your system.

MultiSync Monitor Model Names

MultiSync 90, XE15, XE17, XP15, XP17, XV17, XV17+, A500, A500+, A700, A700+, A900, E500, E700, E900, E900+, M500, M700 and P750

Step 1 With the monitor unplugged from your system and wall outlet, carefully turn the monitor upside down on a firm table so that the base is facing up as shown in Figure 1.

MONITOR IN POSITION TO REMOVE THE BASE AND ATTACH INTELLIBASE AUDIO

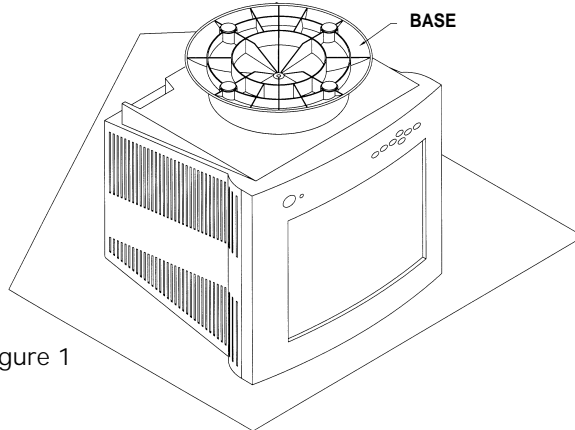
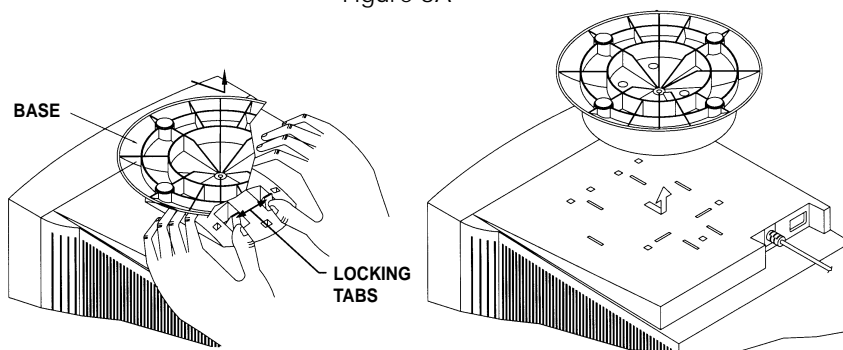


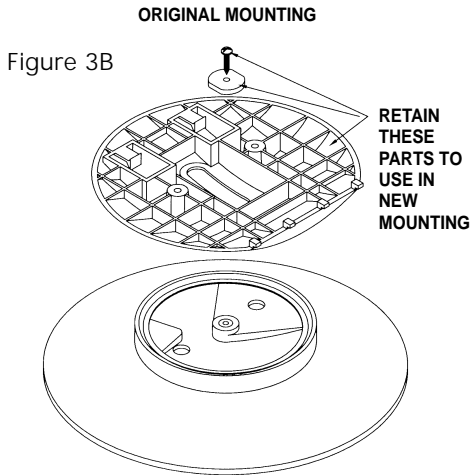
Figure 1

Step 2 Using your thumbs, push on the locking tabs while pulling forward and up as shown by the directional arrow in Figure 3A. This action releases the base from the monitor. Remove and save the original base for possible future use.

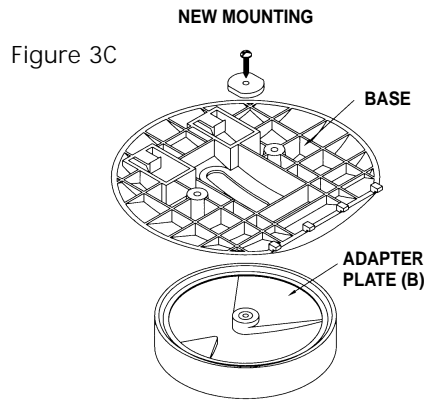
Figure 3A



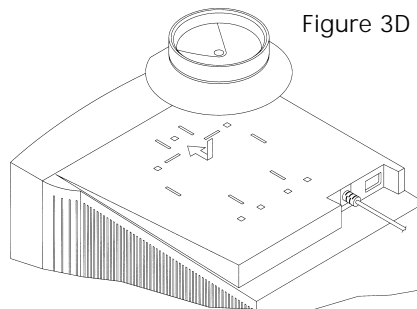
Step 3 Using a Phillips screwdriver, remove the screw securing the two base halves together as shown in Figure 3B. Retain the screw and black nylon washer for use in the next step.



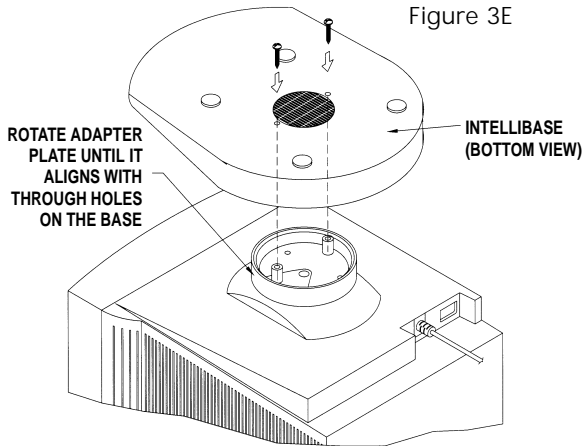
Step 4 Locate Adapter Plate "B" that is supplied with the IntelliBase and secure it to the spindle using the screw and black nylon washer that was removed in Step 2 as shown in Figure 3C.



Step 5 After the adapter plate has been attached to the base, snap the base assembly to the monitor. To accomplish this, position all the locking tabs on the base so they mate with the holes in the monitor. Slide the base assembly in place as shown in Figure 3D.



Step 6 Locate the two screws that are supplied with the IntelliBase and attach the IntelliBase to the adapter plate and monitor as shown in Figure 3E.

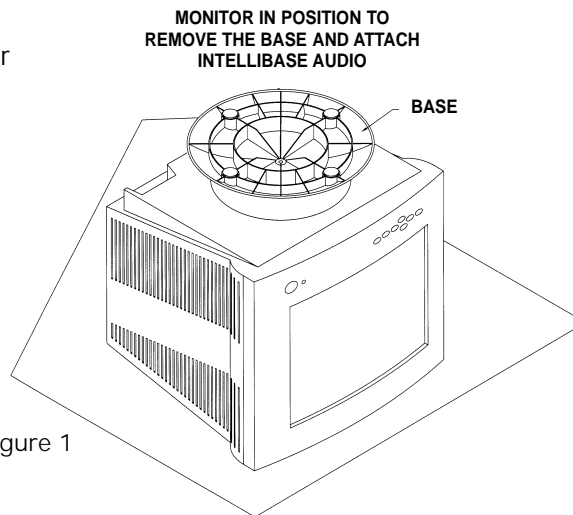


Proceed to Page 10 to connect your MultiSync monitor with IntelliBase Audio to your system.

MultiSync Monitor Model Names

MultiSync XE21, XP21, E1100, E1100+, P1150 and P1250+

Step 1 With the monitor unplugged from your system and the wall outlet, carefully turn the monitor upside down on a firm table so that the base is facing up as shown in Figure 1.



Step 2 Using a Phillips screwdriver, remove the three screws securing the original base to the monitor. Remove the base by sliding and lifting as shown in Figure 4A. Save these screws for use in Step 5. Save the original base for possible future use.

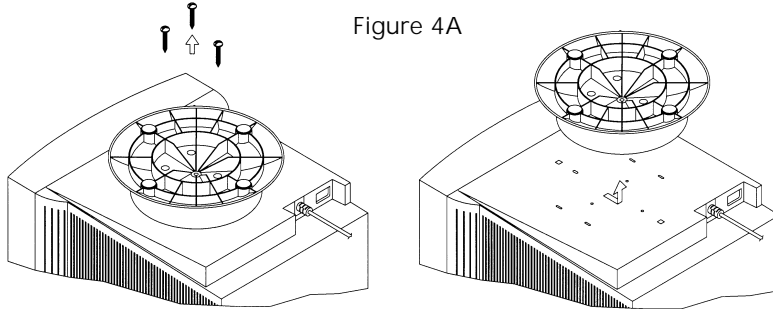
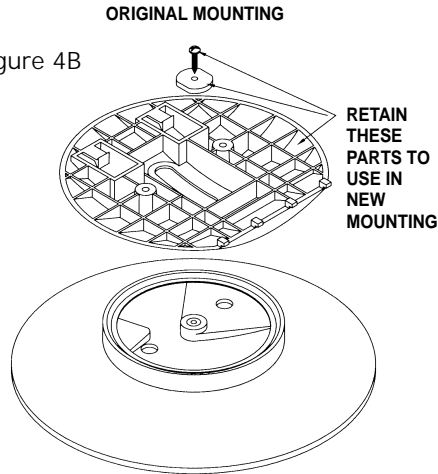


Figure 4A

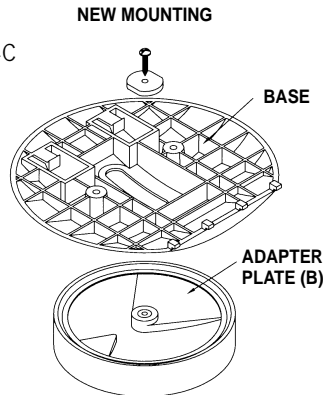
Step 3 Using a Phillips screwdriver, remove the screw securing the two base halves together as shown in Figure 4B. Retain the screw and black nylon washer for use in the next step.

Figure 4B



Step 4 Locate Adapter Plate "B" that is supplied with the IntelliBase and secure it to the spindle using the screw and black nylon washer that was removed in Step 3 as shown in Figure 4C.

Figure 4C



Step 5 After the adapter plate has been attached to the base, snap the base assembly to the monitor. To accomplish this, position all the locking tabs on the base so they mate with the holes in the monitor. Slide the base assembly in place as shown in Figure 4D.

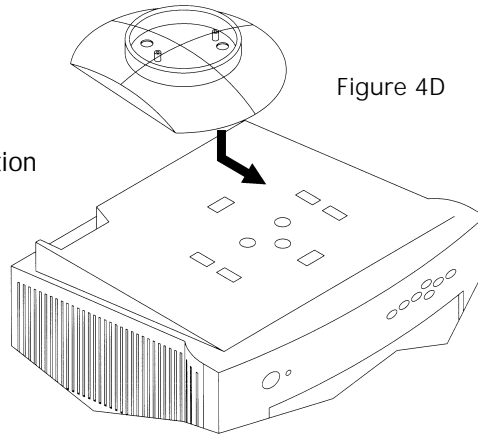


Figure 4D

Step 6 Using two of the screws that were removed in Step 2, attach the adapter plate assembly to the monitor. To accomplish this, it will be necessary to turn the adapter plate fully counter-clockwise while sliding it forward as shown in Figure 4E. This will allow you to install the two rear screws.

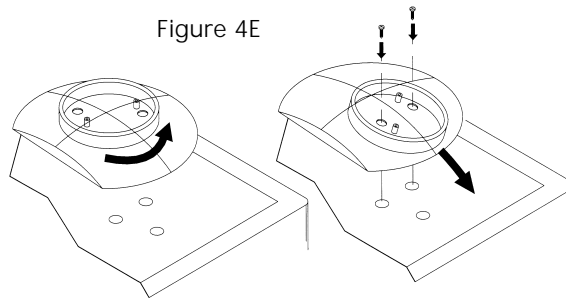


Figure 4E

Step 7 Using the remaining screw that was removed in Step 2, complete attachment of the adapter plate assembly. To accomplish this, it will be necessary to slide the adapter plate rearward as shown in Figure 4F.

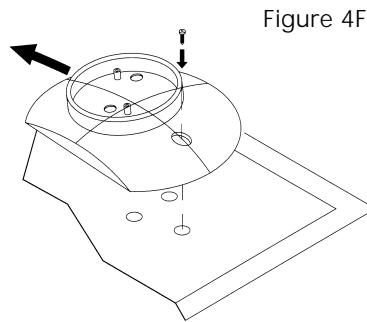
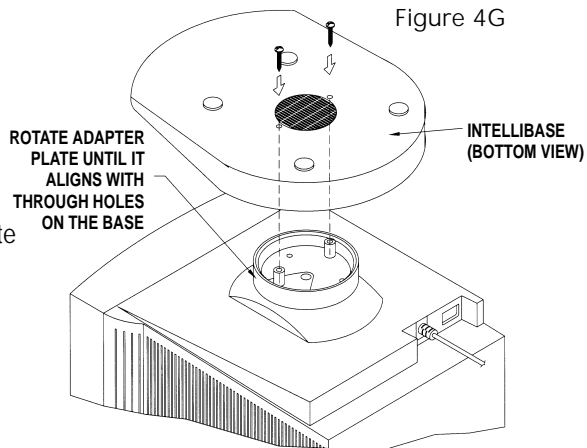


Figure 4F

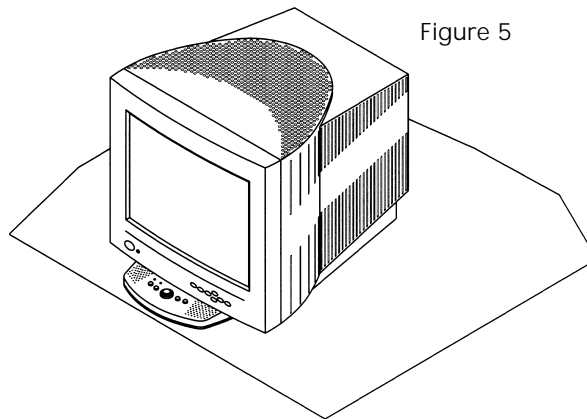
Step 8 Locate the two screws that are supplied with the IntelliBase and attach the IntelliBase to the adapter plate and monitor as shown in Figure 4G.



Proceed below to connect your MultiSync monitor with IntelliBase Audio to your system.

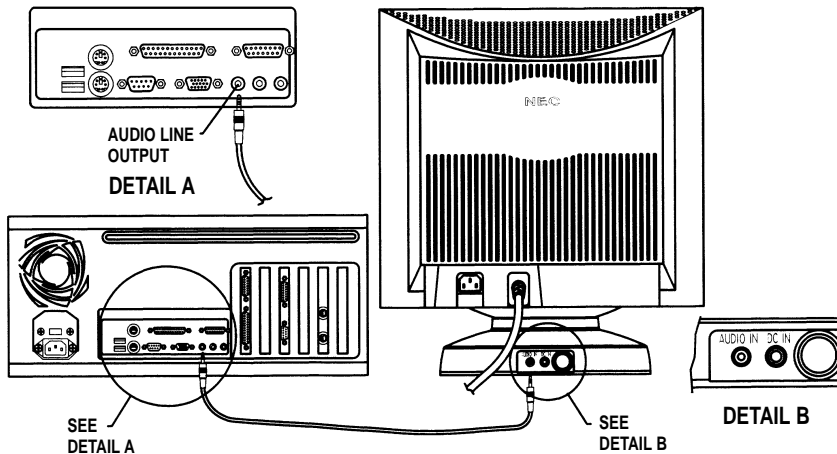
How to connect your MultiSync® monitor with IntelliBase™ Audio to your system

Step 1 Having successfully installed your new IntelliBase, carefully turn the monitor right side up as shown in Figure 5.



Step 2 Connect one end of the supplied audio cable to the audio input jack on the rear of the IntelliBase (Detail B) and the other end to the audio (line) output jack of your computer system (Detail A) as shown in Figure 6.

Figure 6 - REAR VIEW



Step 3 Connect one end of the supplied AC adapter to the DC input jack on the rear of the IntelliBase and the other end into any 110-120V AC wall outlet as shown in Figure 7.

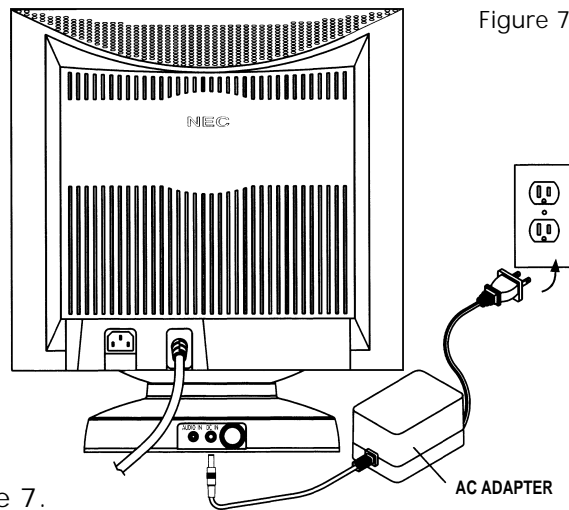


Figure 7

Step 4 Reconnect your MultiSync monitor to your computer system as shown in the monitor user's manual.

Step 5 Turn on the IntelliBase and adjust the controls for best sound performance.

Controls

POWER: Press the power button to turn the IntelliBase™ on or off. An indicator light above the button will glow to show power is on.

MUTE: If it is necessary to temporarily mute the sound, press this button. When the indicator light above the button glows, the sound is muted. Press the button again to restore sound.

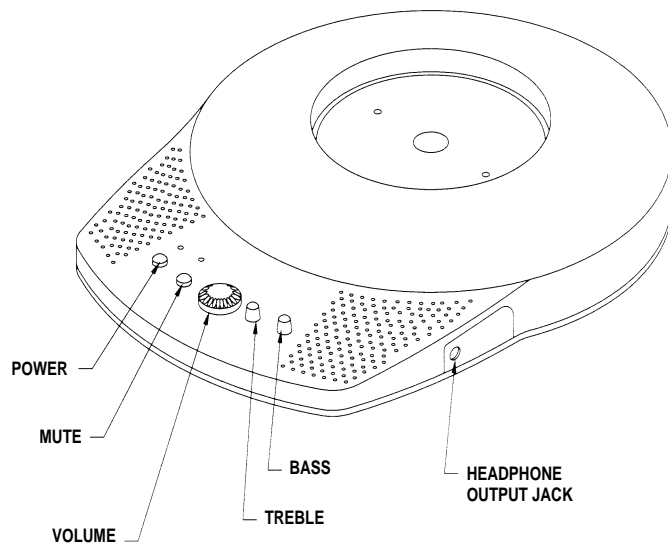
VOLUME: Turn this control clockwise to increase volume level. Turn counter-clockwise to decrease volume level.

TREBLE: This control increases the high frequency response when rotated clockwise and decreases the high frequency response when rotated counter-clockwise.

BASS: This control increases the bass response when rotated clockwise and decreases the bass response when rotated counter-clockwise.

HEADPHONE OUTPUT JACK: Headphones can be used to listen to audio in private. When the headphone plug is inserted into the headphone jack, the speakers are automatically disconnected and sound is heard through the headphones.

NOTE: Headphones not included. The headphone plug required is a mini stereo type measuring 3.5mm (1/8"). The headphone impedance should be approximately 32 ohms.



Specifications

| | |
|------------------------------|---|
| Speakers | One 75 mm / 3 inch woofer Four 28 mm / 1.1 inch full range |
| Power (Satellites) | 4 + 4 Watts @ 4 Ohms with 10% THD |
| Power (Subwoofer) | 5 Watts @ 4 Ohms with 10% THD |
| Input Impedance | >10k Ohms |
| Input Sensitivity | 300mV input for full output |
| Frequency Response | 80Hz - 20kHz |
| S/N Ratio | > 60 dB |
| Power Requirements | AC 110-120V / 60Hz |
| Current Rating | 0.2A @ 120V |
| Headphone Output Impedance | 32 Ohms |
| Headphone Jack Type | 3.5 mm Stereo |
| Audio Input Jack Type | 3.5 mm Stereo |
| Dimensions | 265 mm (W) x 85 mm (H) x 320 mm (D) 10.4 inches (W) x 3.3 inches (H) x 12.6 inches (D) |
| Weight | 0.9 kg/2.0 lbs |
| Environmental Considerations | |
| Operating Temperature | 0° to +40°C |
| Humidity | 10% to 90% (Non-Condensing) |
| Altitude | 0 to 10,000 Feet |
| Storage Temperature | -40° to +60°C |
| Humidity | 5% to 95% (Non-Condensing) |
| Altitude | 0 to 45,000 Feet |
| System Hardware | |
| Requirements | PC or MAC with sound capabilities |

NOTE: Technical specifications are subject to change without notice.

Troubleshooting

| <i>SYMPTOMS</i> | <i>POSSIBLE PROBLEM</i> | <i>SOLUTION</i> | <i>NOTE</i> |
|---|--|--|---|
| <i>No Sound From Speakers</i> | No power to unit. | Make sure all connecting plugs between the IntelliBase and computer are fully seated. Make sure the wall power outlet or power strip has power. Make sure the power switches on the power strip and IntelliBase are turned on. | Provided power has been verified, it is possible to test the unit by disconnecting the audio cable that is connected to the computer and reconnecting it to an alternate audio source such as a portable CD player. |
| | Volume level on sound card or other audio source may be too low. | Check volume level of sound card, audio source and Windows mixer and raise as necessary. | Check with an alternate audio source as mentioned above. |
| | IntelliBase is muted. | Make sure the mute button is off and the indicator for mute doesn't glow. | |
| | Volume is too low. | Make sure the volume control is not at zero. | |
| <i>Distortion (i.e. static, crackling, hissing)</i> | Speaker is being overdriven by an amplified audio source. | Make sure the IntelliBase is connected to line-out jack (unamplified) of sound card and not speaker-out jack (amplified). | Depending on your sound card, you may also turn off amplifier on sound card (check your sound card manual). |
| | Volume level on sound card or other audio source may be too high and causing speaker to be overdriven. | Check volume level of sound card or audio source and lower as necessary. | |
| | Sound card or specific sound file/track may be root of problem. | Check speakers with another audio source (CD-ROM player) to see if sound card or specific file/track may be the problem. | For this check, disconnect speakers from sound card and plug into headphone jack on front of CD-ROM player or alternate line-level audio source. |
| <i>Sound from only one speaker</i> | Audio cable is not properly connected. | Make sure the audio connector is properly inserted in the audio jack on the rear side. | |

NOTE: If the IntelliBase must be returned for repair, the unit must be disconnected from the monitor and packed in its original packaging.

References

- BBS (978) 742-8706
NEC Technologies Remote Bulletin Board System is an electronic service accessible with your system and a modem. Communication parameters are:
300/1200/2400/9600/14.4k/28.8k bps, no parity, 8-data bits, 1 stop bit
- Customer Service
Technical Support (800) 632-4662
Fax (978) 742-7049
- Electronic Channels:
Internet e-mail: tech-support@nectech.com
Internet ftp site: ftp.nectech.com
World Wide Web: http://www.nec.com
- FastFacts™ Information (800) 366-0476

| <u>INFORMATION</u> | <u>DESCRIPTION</u> | <u>DOCUMENT #</u> |
|----------------------------------|---|-------------------|
| MultiSync® IntelliBase™ Audio | Detailed multimedia base information | 2010304 |
- Literature & Sales Info (800) NEC-INFO [(800) 632-4636]
- MultiSync Fulfillment (800) 820-1230
[For software & accessories]
- TeleSales (800) 284-4484

Declaration of the Manufacturer

We hereby certify that the multimedia base MultiSync IntelliBase Audio is in compliance with the relevant clauses of IEC 65 fifth edition:1993 covering clauses 5, 7, 9, 10, 11, 12, 13, 14, 15, 16 and 17 only.

The IntelliBase™ complies with the safety objectives of the low voltage directive 73/23/EEC and EMC directives EN 50082-1:1992 and EN 55013:1990, plus A12 1994 and A13 1996 incorporating EN 61000-3-2:1995 and EN 61000-3-3: 1995

and marked with



Altec Lansing Technologies, Inc.
Milford, PA 18337-0227

Limited Warranty

NEC Technologies, Inc. (hereinafter "NECTECH"), warrants this Product to be free from defects in material and workmanship and, subject to the conditions set forth below, agrees to repair or replace (at NECTECH's sole option) any part of the enclosed unit which proves defective for a period of three (3) years from the date of first consumer purchase. Spare parts are warranted for ninety (90) days. Replacement parts or units may be new or refurbished and will meet all of the specifications of the original parts or unit.

This warranty gives you specific legal rights and you may also have other rights, which vary, from state to state. This warranty is limited to the original purchaser of the Product and is not transferable. This warranty covers only NECTECH-supplied components. Service required as a result of third party components is not covered under this warranty. In order to be covered under this warranty, the Product must have been purchased in the U.S.A. or Canada by the original purchaser. This warranty only covers Product distribution in the U.S.A. or Canada by NECTECH. No warranty service is provided outside of the U.S.A. or Canada. Proof of Purchase will be required by NECTECH to substantiate date of purchase. Such proof of purchase must be an original bill of sale or receipt containing name and address of seller, purchaser, and the serial number of the product.

It shall be your obligation and expense to have the Product shipped, freight prepaid, or delivered to the authorized reseller from whom it was purchased or other facility authorized by NECTECH to render the services provided hereunder in either the original package or a similar package affording an equal degree of protection. All Products returned to NECTECH for service MUST have prior approval, which may be obtained by calling 1-800-632-4662. The Product shall not have been previously altered, repaired, or serviced by anyone other than a service facility authorized by NECTECH to render such service, the serial number of the product shall not have been subjected to accident, misuse or abuse or operated contrary to the instructions contained in the User's Manual. Any such conditions will void this warranty.

NECTECH SHALL NOT BE LIABLE FOR DIRECT, INDIRECT INCIDENTAL, CONSEQUENTIAL, OR OTHER TYPES OF DAMAGES RESULTING FROM THE USE OF ANY NECTECH PRODUCT OTHER THAN THE LIABILITY STATED ABOVE. THESE WARRANTIES ARE IN LIEU OF ALL OTHER WARRANTIES EXPRESS OR IMPLIED, INCLUDING, BUT NOT LIMITED TO, THE IMPLIED WARRANTIES OF MERCHANTABILITY OR FITNESS FOR A PARTICULAR PURPOSE. SOME STATES DO NOT ALLOW THE EXCLUSION OF IMPLIED WARRANTIES OR THE LIMITATION OR EXCLUSION OF LIABILITY FOR INCIDENTAL OR CONSEQUENTIAL DAMAGES SO THE ABOVE EXCLUSIONS OR LIMITATIONS MAY NOT APPLY TO YOU.

This Product is warranted in accordance with the terms of this limited warranty. Consumers are cautioned that Product performance is affected by system configuration, software, the application, consumer data, and operator control of the system, among other factors. While NECTECH Products are considered to be compatible with many systems, specific functional implementation by the customers of the Product may vary. Therefore, suitability of a Product for a specific purpose or application must be determined by consumer and is not warranted by NECTECH.

For the name of your nearest authorized NECTECH service facility, contact NECTECH at 1-800-632-4662.

Notes

Consignes de sécurité et entretien



POUR UNE PERFORMANCE OPTIMALE, PRIÈRE DE NOTER CE QUI SUIT LORS DE L'INSTALLATION ET DE L'UTILISATION DU PRODUIT MULTISYNC INTELLIBASE AUDIO :



Lire les instructions — Il convient de lire toutes les instructions de sécurité et de fonctionnement avant d'utiliser l'appareil.

Conserver les instructions — Les instructions de fonctionnement doivent être conservées pour consultation future.

Observer les mises en garde — Il faut observer toutes les mises en garde inscrites sur l'appareil et dans les instructions de fonctionnement.

Suivre les instructions — Il faut suivre toutes les instructions de fonctionnement et d'utilisation.

Eau et humidité — L'appareil ne doit pas être utilisé à proximité d'eau - par exemple, près d'une baignoire, d'un lavabo, d'un évier de cuisine, d'une cuve à lessive, dans un sous-sol mouillé ou près d'une piscine, etc.

Utilisation extérieure — Mise en garde : Pour réduire le risque d'incendie ou de chocs électriques, ne pas exposer cet appareil à la pluie ou à l'humidité.

Emplacement — L'appareil doit être installé à un endroit stable. Ne pas utiliser le moniteur pendant le retrait de la base.

Ventilation — L'appareil doit être placé à un endroit où il recevra une ventilation adéquate. Ainsi, l'appareil ne doit pas être placé sur un lit, un sofa, un tapis ou une surface similaire pouvant bloquer les prises d'air ; il ne doit pas être placé dans une installation encastrée, comme dans une armoire ou une bibliothèque fermée qui peut gêner la circulation d'air à travers les prises d'air.

Chaleur — L'appareil doit être placé à l'écart des sources de chaleur telles que radiateurs, bouches de chaleur, poêles ou autres appareils (y compris les amplificateurs) qui produisent de la chaleur.

Sources de courant — Utiliser l'adaptateur c.a. fourni. L'appareil doit être branché sur une prise de courant uniquement du type décrit dans les instructions de fonctionnement ou comme indiqué sur l'appareil. N'utiliser l'adaptateur c.a. fourni avec aucun autre dispositif.

Protection du cordon d'alimentation — Les cordons d'alimentation doivent être acheminés de manière à ce qu'ils ne puissent être piétinés ni pincés par des objets placés sur ou contre eux. Accorder une attention particulière aux cordons au niveau des fiches, des prises et du point où ils sortent des appareils.

Image et son — Ajuster la production sonore pour une image optimale et une clarté optimale au haut-parleur.

Mise à la terre et polarisation — Des précautions doivent être prises de manière à ne pas détourner les éléments de mise à la terre ou de polarisation.

Nettoyage — L'appareil doit être nettoyé uniquement avec un chiffon à polir ou un chiffon sec doux. Ne jamais nettoyer à l'aide de cire à meubles, de benzène, d'insecticides ou d'autres liquides volatils étant donné qu'ils peuvent corroder le boîtier.

Périodes de non-utilisation — Le cordon de l'appareil doit être débranché de la prise lorsque l'appareil ne doit pas être utilisé pendant une période prolongée.

Entrée d'objets et de liquide — Il faut veiller à ce qu'aucun objet ne tombe dans l'enceinte à travers ses ouvertures et qu'aucun liquide n'y soit déversé.

Dommages nécessitant une intervention de service — L'appareil ne doit être réparé que par le personnel de service qualifié lorsque :

- le cordon d'alimentation ou la fiche a été endommagé ;
- des objets sont tombés dans l'appareil ou un liquide y a été déversé ;
- l'appareil a été exposé à la pluie ;
- l'appareil ne semble pas fonctionner normalement ou son rendement a subi un changement significatif ;
- l'appareil est tombé ou son enceinte a été abîmée.

Service — L'utilisateur ne doit pas tenter de réparer l'appareil. Toutes les interventions de service doivent être confiées au personnel de service qualifié. On peut également renvoyer l'appareil au vendeur ou appeler la ligne de service NEC TECH pour assistance au 1-800-632-4662.

Informations qui doivent vous être communiquées en vertu de la réglementation de la FCC

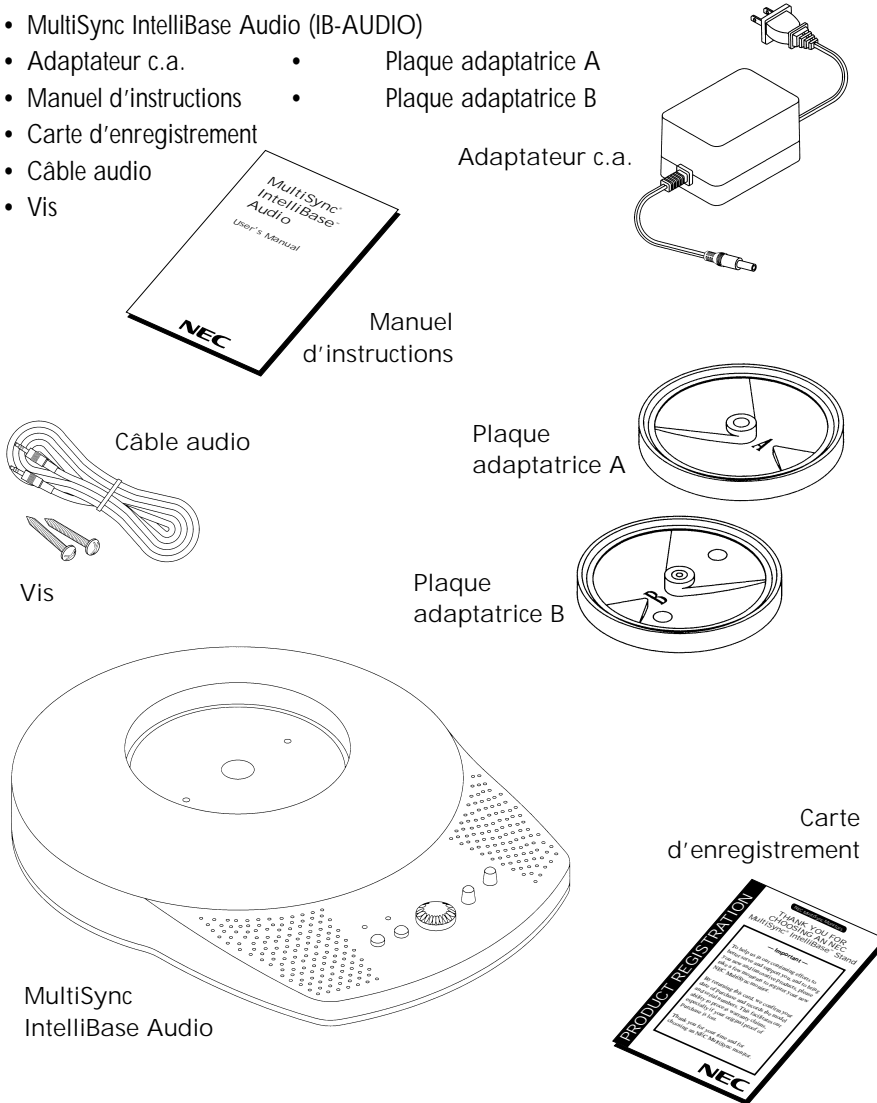
1. Utiliser le câble précisé et fourni avec le produit MultiSync IntelliBase de manière à ne pas gêner la réception de la radio et de la télévision.
2. Ce matériel a été testé et s'est avéré conforme aux limites d'un dispositif numérique de classe B, conformément à la Partie 15 des règles de la FCC. Ces limites sont conçues de manière à offrir une protection raisonnable contre les interférences nuisibles dans une installation résidentielle. Ce matériel génère, utilise et peut émettre une énergie haute fréquence et, s'il n'est pas installé et utilisé conformément aux instructions, il peut causer des interférences nuisibles aux communications radio. Cependant, il n'y a aucune garantie que les interférences ne surviendront pas dans une installation particulière. Si ce matériel cause effectivement des interférences nuisibles à la réception de la radio ou de la télévision, ce qu'on peut établir en allumant et en fermant l'appareil, il est recommandé à l'utilisateur de tenter de remédier à l'interférence en prenant une ou plusieurs des mesures ci-après :
 - a) réorienter ou déplacer l'antenne de réception ;
 - b) accroître la distance séparant le matériel et le récepteur ;
 - c) brancher le matériel sur une prise ou un circuit autre que celui sur lequel le récepteur est branché ;
 - d) consulter le vendeur ou un technicien radio/TV expérimenté pour obtenir de l'aide.

Au besoin, l'utilisateur doit se mettre en contact avec le vendeur ou un technicien radio/TV expérimenté pour des suggestions supplémentaires. La brochure intitulée « How to Identify and Resolve Radio-TV Interference Problems », préparée par la Federal Communications Commission, pourra peut-être aider l'utilisateur. On peut se la procurer auprès du U.S. Government Printing Office, Washington, D.C. 20402, No. de lot 004-000-00345-4.

Contenu

Votre nouveau carton* MultiSync® IntelliBasemc Audio de NEC Technologies doit contenir ce qui suit :

- MultiSync IntelliBase Audio (IB-AUDIO)
- Adaptateur c.a.
- Manuel d'instructions
- Carte d'enregistrement
- Câble audio
- Vis
- Plaque adaptatrice A
- Plaque adaptatrice B



* N'oubliez pas de conserver votre carton et votre matériel d'emballage d'origine pour transporter ou expédier le produit MultiSync IntelliBase Audio.

Remarque : Vous pouvez enregistrer votre produit sur l'Internet à <http://www.prodreg.com/nec>

Démarrage rapide

Mode de fixation du système IntelliBase^{mc} Audio à votre moniteur de marque MultiSync[®]



S'ASSURER QUE LE MONITEUR EST DÉBRANCHÉ DU SYSTÈME ET DÉBRANCHÉ DE LA PRISE DE COURANT AVANT D'EFFECTUER QUELQUE TRAVAIL QUE CE SOIT SUR LE MONITEUR.



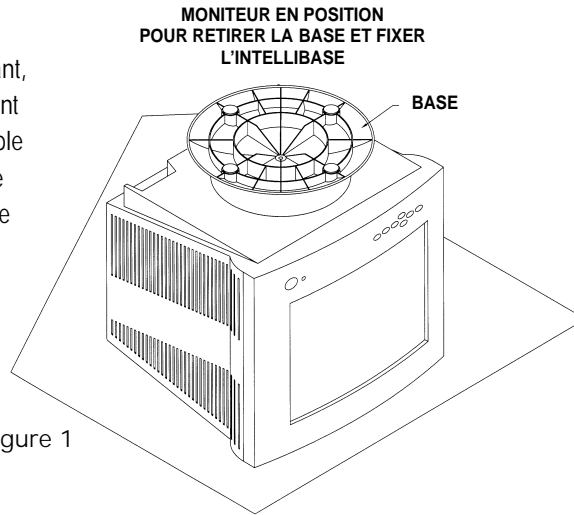
POUR LES MONITEURS DE 21 POUCES, IL EST RECOMMANDÉ DE FAIRE PARTICIPER DEUX PERSONNES À L'ENSEMBLE DU PROCESSUS D'INSTALLATION.

La base d'origine doit d'abord être déposée afin de fixer l'IntelliBase au moniteur de marque MultiSync. Le mode de dépose de la base d'origine et la fixation de l'IntelliBase varieront en fonction du modèle du moniteur de marque MultiSync. Repérer le nom du modèle (inscrit dans le coin inférieur droit du biseau du moniteur) du moniteur de marque MultiSync dans le tableau ci-après. Suivre la procédure de dépose afin de détacher la base d'origine de son moniteur en se reportant aux schémas donnés sur les pages qui suivent, et de poser l'IntelliBase au moniteur.

| Noms des modèles de moniteurs | Instructions de dépose de la base d'origine MultiSync du moniteur et d'installation de l'IntelliBase |
|--|--|
| MultiSync 50, MultiSync 70, XV15 et XV15+ | Page 21 |
| MultiSync 90, XE15, XE17, XP15, XP17, XV17, XV17+, A500, A500+, A700, A700+, A900, E500, E700, E900, E900+, M500, M700 et P750 | Page 23 |
| MultiSync XE21, XP21, E1100, E1100+, P1150 et P1250+ | Page 25 |

Noms des modèles de moniteurs MultiSync MultiSync 50, MultiSync 70, XV15 et XV15+

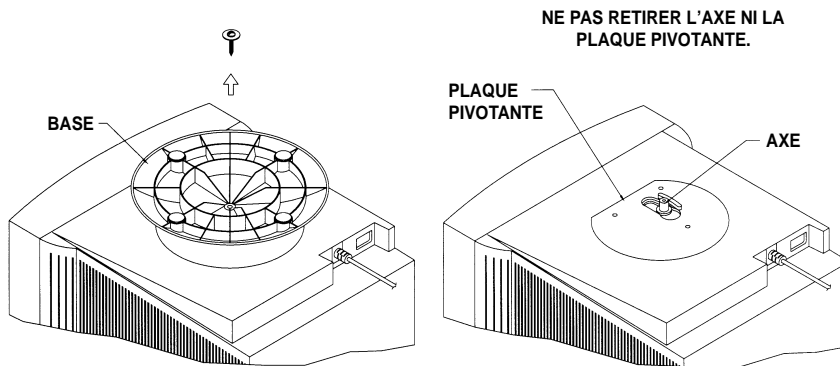
Étape 1 Le moniteur étant débranché du système et de la prise de courant, renverser soigneusement le moniteur sur une table solide de manière à ce que la base soit dirigée vers le haut comme illustré à la Figure 1.



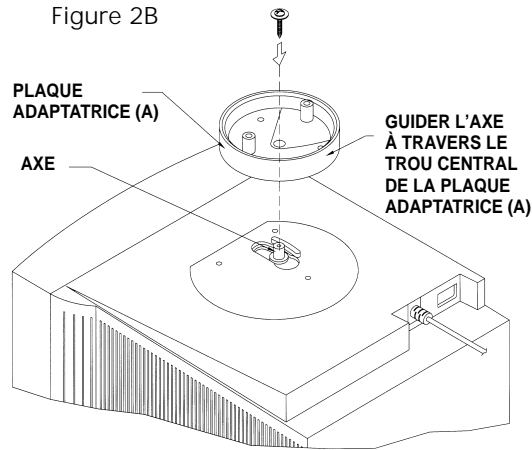
Étape 2 À l'aide d'un tournevis à empreinte cruciforme, retirer la vis retenant la base d'origine au moniteur comme illustré à la Figure 2A. Déposer et conserver la base d'origine en vue d'une éventuelle utilisation future.

Remarque : Ne pas retirer l'axe ni la plaque pivotante.

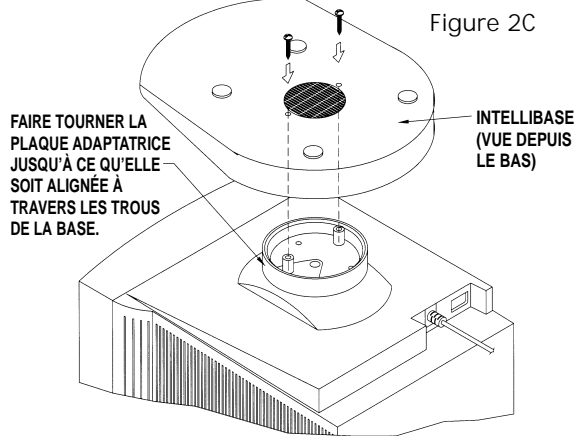
Figure 2A



Étape 3 Repérer la plaque adaptatrice « A » fournie avec l'IntelliBase, et la fixer à l'axe à l'aide de la vis qui a été déposée à l'étape 2, comme illustré à la Figure 2B.



Étape 4 Repérer les deux vis qui sont fournies avec l'IntelliBase, et fixer l'IntelliBase à la plaque adaptatrice et au moniteur comme illustré à la Figure 2C.



Passer à la page 28 pour raccorder le moniteur MultiSync avec IntelliBase Audio à votre système.

Noms des modèles de moniteurs MultiSync

MultiSync 90, XE15, XE17, XP15, XP17, XV17, XV17+, A500, A500+
A700, A700+, A900, E500, E700, E900, E900+, M500, M700 et P750

Étape 1

Le moniteur étant débranché du système et de la prise de courant, renverser soigneusement le moniteur sur une table solide de manière à ce que la base soit dirigée vers le haut comme illustré à la Figure 1.

**MONITEUR EN POSITION
POUR RETIRER LA BASE ET FIXER
L'INTELLIBASE**

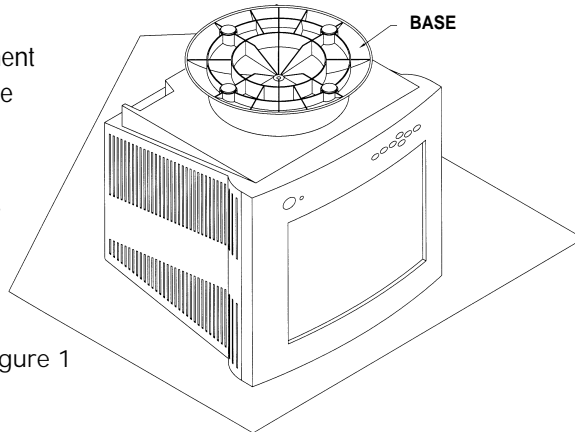
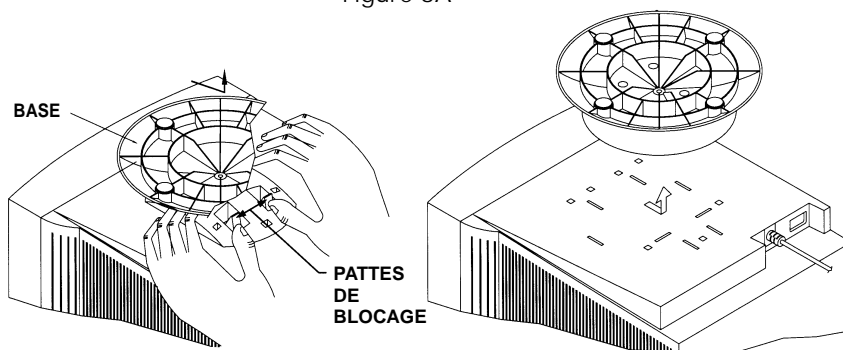


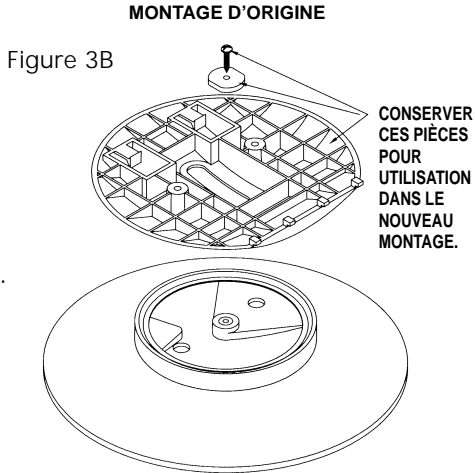
Figure 1

Étape 2 À l'aide de ses pouces, pousser sur les pattes de blocage tout en tirant vers l'avant et vers le haut comme illustré par la flèche directionnelle à la Figure 3A. Cette action détache la base du moniteur. Déposer et conserver la base d'origine en vue d'une éventuelle utilisation future.

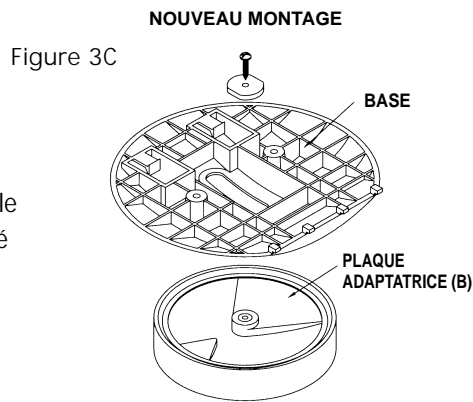
Figure 3A



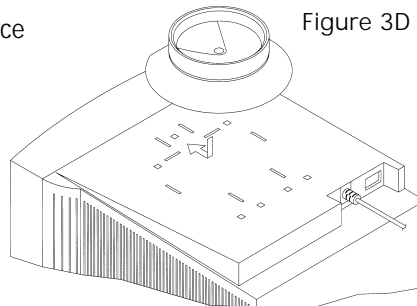
Étape 3 À l'aide d'un tournevis à empreinte cruciforme, retirer la vis retenant les deux moitiés de base ensemble comme illustré à la Figure 3B. Conserver la vis et la rondelle en nylon noir pour utilisation à l'étape suivante.



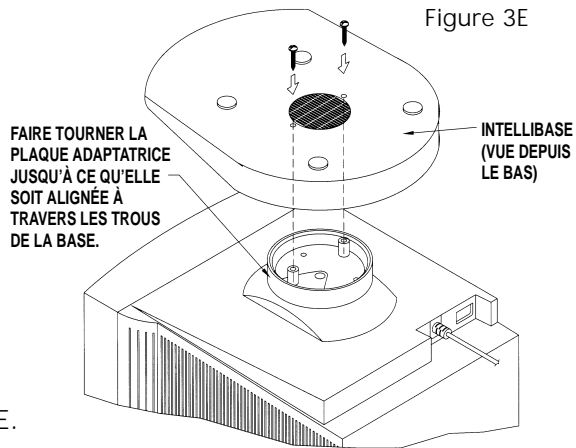
Étape 4 Repérer la plaque adaptatrice « B » fournie avec l'IntelliBase, et la fixer à l'axe à l'aide de la vis et de la rondelle en nylon noir qui ont été déposées à l'étape 2, comme illustré à la Figure 3C.



Étape 5 Une fois la plaque adaptatrice fixée à la base, enclencher l'ensemble de base au moniteur. À cette fin, positionner toutes les pattes de blocage sur la base de manière à les assortir aux trous du moniteur. Faire glisser l'ensemble de base en place comme illustré à la Figure 3D.



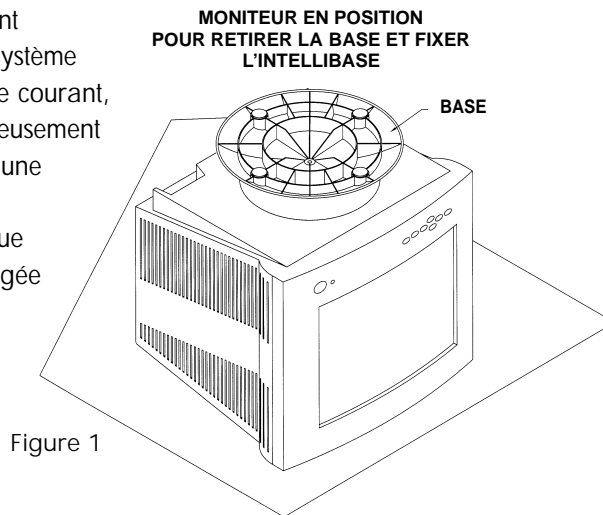
Étape 6 Repérer les deux vis qui sont fournies avec l'IntelliBase, et fixer l'IntelliBase à la plaque adaptatrice et au moniteur comme illustré à la Figure 3E.



Passer à la page 28 pour raccorder le moniteur MultiSync avec IntelliBase Audio à votre système.

Noms des modèles de moniteurs MultiSync MultiSync XE21, XP21, E1100, E1100+, P1150 et P1250+

Étape 1 Le moniteur étant débranché du système et de la prise de courant, renverser soigneusement le moniteur sur une table solide de manière à ce que la base soit dirigée vers le haut comme illustré à la Figure 1.



Étape 2 À l'aide d'un tournevis à empreinte cruciforme, retirer les trois vis retenant la base d'origine au moniteur. Retirer la base en la faisant glisser et en la soulevant comme illustré à la Figure 4A. Conserver ces vis pour utilisation à l'étape 5. Conserver la base d'origine en vue d'une éventuelle utilisation future.

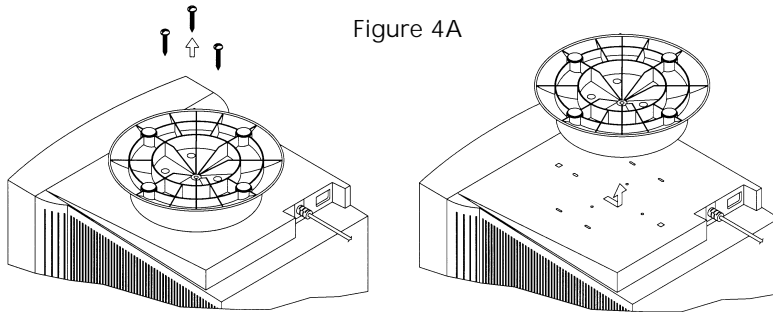
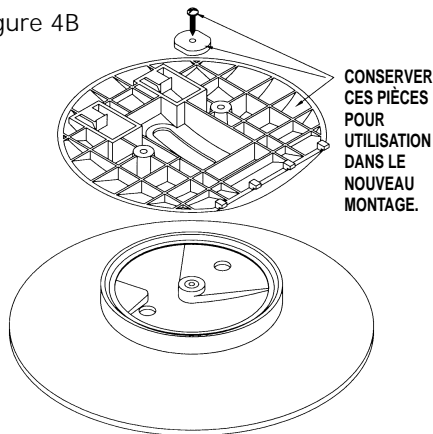


Figure 4A

MONTAGE D'ORIGINE

Étape 3 À l'aide d'un tournevis à empreinte cruciforme, retirer la vis retenant les deux moitiés de base ensemble comme illustré à la Figure 4B. Conserver la vis et la rondelle en nylon noir pour utilisation à l'étape suivante.

Figure 4B

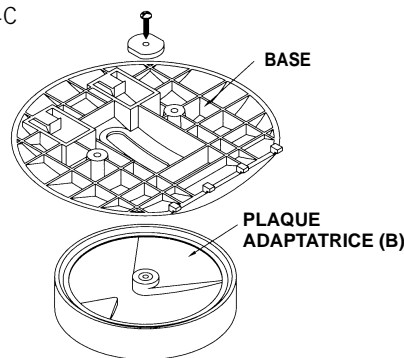


CONSERVER CES PIÈCES POUR UTILISATION DANS LE NOUVEAU MONTAGE.

NOUVEAU MONTAGE

Étape 4 Repérer la plaque adaptatrice « B » fournie avec l'IntelliBase, et la fixer à l'axe à l'aide de la vis et de la rondelle en nylon noir qui ont été déposées à l'étape 3, comme illustré à la Figure 4C.

Figure 4C



Étape 5 Une fois la plaque adaptatrice fixée à la base, enclencher l'ensemble de base au moniteur. À cette fin, positionner toutes les pattes de blocage sur la base de manière à les assortir aux trous du moniteur. Faire glisser l'ensemble de base en place comme illustré à la Figure 4D.

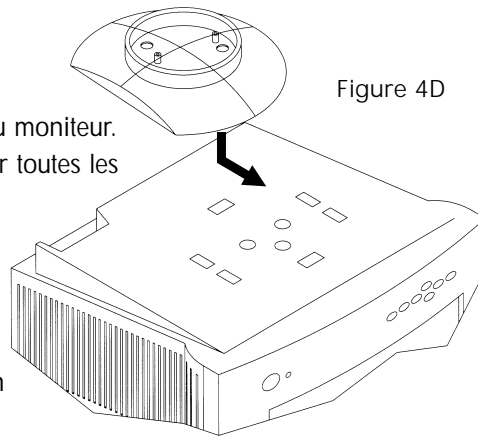


Figure 4D

Étape 6 En utilisant deux des vis qui ont été retirées à l'étape 2, fixer l'ensemble de plaque adaptatrice au moniteur. À cette fin, il faudra tourner la plaque adaptatrice entièrement en sens anti-horaire tout en la faisant glisser vers l'avant comme illustré à la Figure 4E. Ceci vous permettra de poser les deux vis arrière.

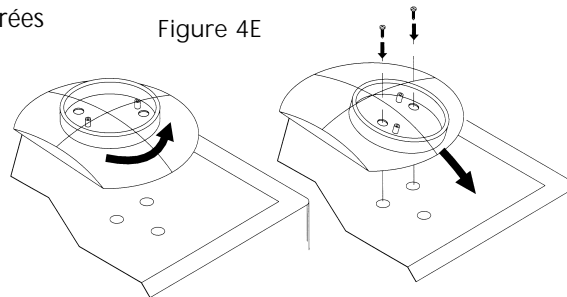


Figure 4E

Étape 7 En utilisant la vis restante qui a été retirée à l'étape 2, terminer la fixation de l'ensemble de plaque adaptatrice. À cette fin, il faudra faire glisser la plaque adaptatrice vers l'arrière comme illustré à la Figure 4F.

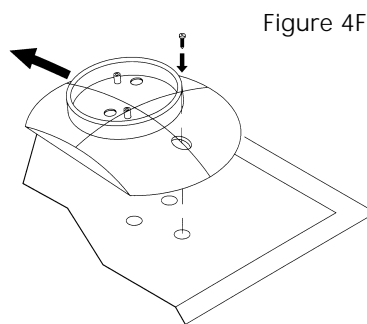
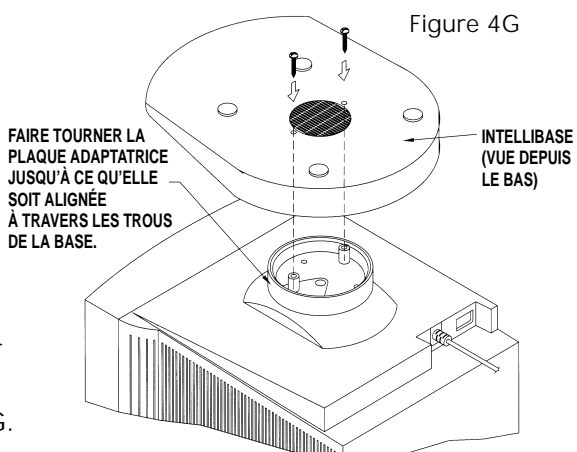


Figure 4F

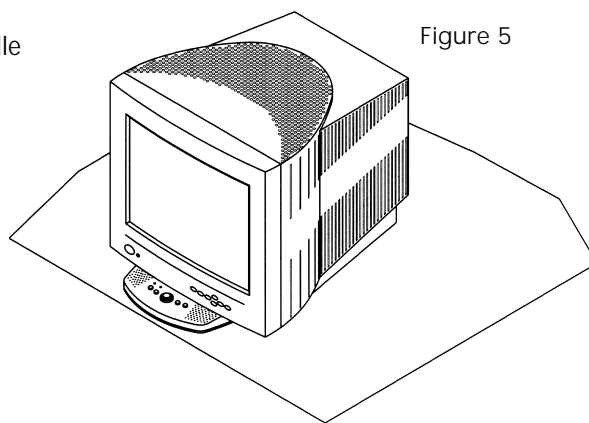
Étape 8 Repérer les deux vis qui sont fournies avec l'IntelliBase, et fixer l'IntelliBase à la plaque adaptatrice et au moniteur comme illustré à la Figure 4G.



Passer à la section ci-après pour raccorder le moniteur MultiSync avec IntelliBase Audio à votre système.

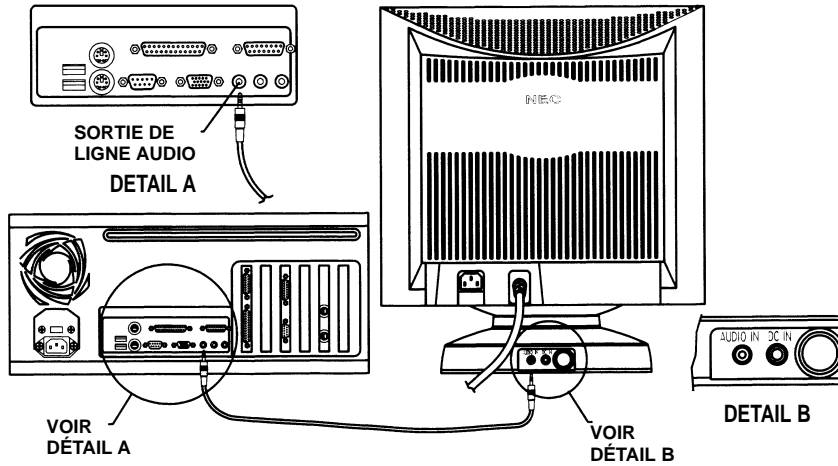
Raccordement du moniteur MultiSync® avec IntelliBasemc Audio à votre système

Étape 1 Une fois la nouvelle IntelliBase posée, remettre soigneusement le moniteur à l'endroit comme illustré à la Figure 5.



Étape 2 Brancher une extrémité du câble audio fourni à la prise d'entrée audio située à l'arrière de l'IntelliBase (Détail B) et l'autre extrémité à la prise de sortie audio (ligne) de votre système informatique (Détail A) comme illustré à la Figure 6.

Figure 6 - VUE ARRIERE



Étape 3 Brancher une extrémité de l'adaptateur c.a. fourni à la prise d'entrée c.c. située à l'arrière de l'IntelliBase, et l'autre extrémité dans n'importe quelle prise de courant 110-120 V c.a. comme illustré à la Figure 7.

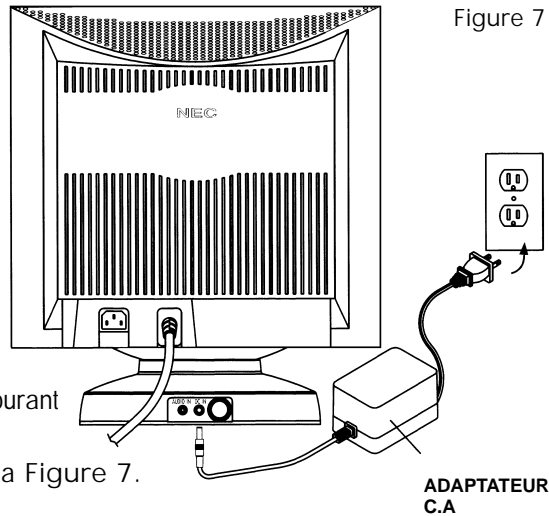


Figure 7

Étape 4 Rebrancher le moniteur MultiSync à votre système informatique comme illustré dans le manuel d'instructions du moniteur.

Étape 5 Mettre l'IntelliBase en marche et ajuster les commandes en vue d'une performance sonore optimale.

Commandes

POWER : Appuyer sur le bouton POWER pour mettre l'IntelliBasemc en marche ou à l'arrêt. Un témoin lumineux au-dessus du bouton s'allumera pour montrer que l'appareil est sous tension.

MUTE : Appuyer sur ce bouton pour couper temporairement le son. Le son est coupé lorsque le témoin lumineux au-dessus du bouton s'allume. Appuyer à nouveau sur ce bouton pour remettre le son.

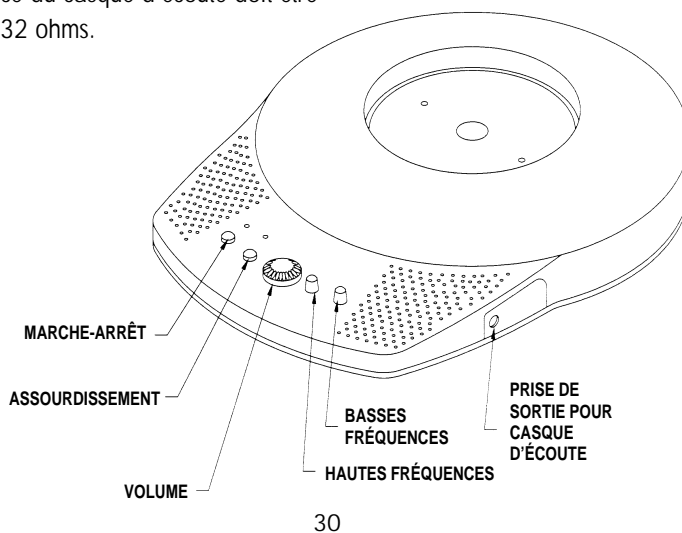
VOLUME : Tourner cette commande en sens horaire pour augmenter le niveau sonore. Tourner en sens anti-horaire pour baisser le niveau sonore.

TREBLE : Cette commande accroît la réponse hautes fréquences lorsqu'elle est tournée en sens horaire, et elle diminue la réponse hautes fréquences lorsqu'elle est tournée en sens anti-horaire.

BASS : Cette commande accroît la réponse basses fréquences lorsqu'elle est tournée en sens horaire, et elle diminue la réponse basses fréquences lorsqu'elle est tournée en sens anti-horaire.

PRISE DE SORTIE POUR CASQUE D'ÉCOUTE : On peut utiliser un casque d'écoute pour écoute privée. Lorsque la fiche du casque d'écoute est insérée dans la prise du casque d'écoute, les haut-parleurs sont débranchés automatiquement et le son se fait entendre à travers les écouteurs.

REMARQUE : Le casque d'écoute n'est pas compris. La fiche requise pour le casque d'écoute est une mini-fiche de type stéréo mesurant 3,5 mm (1/8 po). L'impédance du casque d'écoute doit être d'environ 32 ohms.



Caractéristiques

| | |
|------------------------------------|---|
| Haut-parleurs | Un haut-parleur pour basses fréquences (woofer) 75 mm / 3 pouces Quatre haut-parleurs gamme complète 28 mm / 1,1 pouce |
| Puissance (satellites) | 4 + 4 watts à 4 Ohms avec THD 10 % |
| Puissance (caisson de basses) | 5 watts à 4 Ohms avec THD 10 % |
| Impédance d'entrée | Supérieure à 10 k Ohms |
| Sensibilité d'entrée | Entrée de 300 mV pour sortie complète |
| Plage de fréquences | 80 Hz à 20 kHz |
| Rapport signal sur bruit | Supérieur à 60 dB |
| Alimentation nécessaire | 110-120 V c.a. / 60 Hz |
| Courant nominal | 0,2 A à 120 V |
| Impédance de sortie du casque | 32 Ohms |
| Type de prise du casque d'écoute | 3,5 mm stéréo |
| Type de prise d'entrée audio | 3,5 mm stéréo |
| Dimensions | 265 mm (La) x 85 mm (H) x 320 mm (P) 10,4 po (La) x 3,3 po (H) x 12,6 po (P) |
| Poids | 0,9 kg (2,0 lbs) |
| Environnement | |
| Température de service | 0 à 40°C |
| Humidité | 10 à 90 % (sans condensation) |
| Altitude | 0 à 10 000 pi |
| Température de stockage | -40 à +60°C |
| Humidité | 5 à 95 % (sans condensation) |
| Altitude | 0 à 45 000 pi |
| Exigences en matériel informatique | PC ou MAC avec capacités sonores |

REMARQUE : Les caractéristiques techniques peuvent être modifiées sans préavis.

Dépannage

| SYMPTÔME | PROBLÈME POSSIBLE | SOLUTION | REMARQUE |
|--|---|---|---|
| <i>Pas de son dans les haut-parleurs</i> | L'appareil n'est pas branché. | S'assurer que toutes les prises de connexion entre l'IntelliBase et l'ordinateur sont bien enfoncées. Vérifier que la prise électrique murale ou la multiprise est alimentée en courant. S'assurer que les interrupteurs de la multiprise et l'IntelliBase sont bien ouverts. | Après s'être assuré de l'alimentation en courant, il est possible, pour vérifier l'appareil, de débrancher le câble audio qui va à l'ordinateur et de le relier à une autre source audio, telle qu'un lecteur de CD portable. |
| | Le niveau du volume de la carte son ou de l'autre source audio est peut-être trop faible. | Vérifier le volume de la carte son, de la source audio et du mélangeur Windows et, si besoin est, l'augmenter. | Effectuer la vérification avec une autre source audio, comme on l'a mentionné plus haut. |
| | Assourdissement de l'IntelliBase. | S'assurer que le bouton d'assourdissement est inactivé et que le témoin lumineux de l'assourdissement est éteint. | |
| | Le volume est trop faible. | S'assurer que la commande du volume n'est pas à zéro. | |
| <i>Distorsion (à savoir, parasites, crépitements, sifflements)</i> | Surcharge du haut-parleur due à une amplification de la source audio. | S'assurer que l'IntelliBase est raccordée à la prise de sortie de ligne (non amplifiée) de la carte son et non à la prise de sortie de haut-parleur (amplifiée). | En fonction de la carte son que vous avez, il peut être possible de déconnecter l'amplificateur de la carte son (se reporter au manuel de description de votre carte son). |
| | Le volume de la carte son ou de toute autre source audio est peut-être trop élevé, causant une surcharge du haut-parleur. | Vérifier le volume de la carte son ou de la source audio et, si besoin est, le baisser. | |
| | La carte son ou la piste sonore spécifique est peut-être à l'origine du problème. | Vérifier les haut-parleurs en les reliant à une autre source audio (lecteur de CD-ROM) pour voir si le problème provient de la carte son ou de la piste sonore spécifique. | Pour cette vérification, déconnecter les haut-parleurs de la carte son et se brancher sur la prise pour casque d'écoute située sur le devant du lecteur de CD-ROM, ou sur toute autre source audio semblable. |
| <i>Son provenant d'un seul haut-parleur</i> | Le câble audio n'est pas raccordé adéquatement. | S'assurer que le connecteur audio est bien inséré dans la prise audio située à l'arrière. | |

REMARQUE : Si l'IntelliBase doit être renvoyée pour réparation, l'appareil doit être débranché du moniteur et emballé dans son emballage d'origine.

Références


- BBS (978) 742-8706

Le NEC Technologies Remote Bulletin Board System est un service électronique accessible par l'intermédiaire de votre système et d'un modem. Les paramètres de communication sont les suivants : 300/1200/2400/9600/14,4 k/28,8 k bps, aucune parité, 8 bits de données, 1 bit stop

- Service clientèle
 - Assistance technique (800) 632-4662
 - Télécopieur (978) 742-7049

- Moyens électroniques :
 - Courrier électronique Internet : tech-support@necotech.com
 - Site ftp Internet : ftp.necotech.com
 - World Wide Web : http://www.nec.com

- | | | |
|--|--|---------------------|
| • Informations FastFactsmc | (800) 366-0476 | |
| <u>INFORMATIONS</u> | <u>DESCRIPTION</u> | <u>NO. DOCUMENT</u> |
| MultiSync® IntelliBase™ Audio | Informations détaillées sur la base multimédias | 2010304 |
| • Documentation et info commerciale | (800) NEC-INFO [(800) 632-4636] | |
| • MultiSync Fulfillment | (800) 820-1230 [Pour logiciels et accessoires] | |
| • Télévente | (800) 284-4484 | |

| Déclaration du fabricant |
|---|
| <p>Nous attestons par les présentes que la base multimédias MultiSync IntelliBase Audio est conforme aux clauses pertinentes de l'IEC 65 cinquième édition : clauses 1993 pertinentes 5, 7, 9, 10, 11, 12, 13, 14, 15, 16 et 17 seulement.</p> <p>L'IntelliBasemc se conforme aux objectifs de sécurité de la directive basse tension 73/23/CEE et des directives EMC EN 50082-1 : 1992 et EN 55013 : 1990, plus A12 1994 et A13 1996 incorporant EN 61000-3-2 : 1995 et EN 61000-3-3 : 1995.</p> <p style="text-align: center;">et marqué à l'aide de</p> <div style="text-align: center; font-size: 2em; font-weight: bold; margin: 10px 0;">  </div> <p style="text-align: center; margin-top: 10px;">Altec Lansing Technologies, Inc. Milford, PA 18337-0227</p> |

Garantie limitée

NEC Technologies, Inc. (ci-après « NECTECH ») garantit que ce produit est exempt de vices de matériaux et d'exécution et, sous réserve des conditions énoncées ci-après, convient de réparer ou de remplacer (au choix exclusif de NECTECH) toute pièce de l'appareil qui s'avère défectueuse pendant une période de trois (3) ans depuis la date d'achat par le consommateur d'origine. Les pièces de rechange sont garanties pendant quatre-vingt-dix (90) jours. Les appareils ou les pièces de rechange peuvent être neufs ou refaits et ils satisferont à toutes les caractéristiques des pièces ou de l'appareil d'origine.

Cette garantie vous donne des droits précis et vous pouvez également avoir d'autres droits qui varient d'une province à l'autre. Cette garantie est accordée uniquement à l'acheteur d'origine du produit et elle n'est pas cessible. Cette garantie couvre uniquement les composants fournis par NECTECH. Le service rendu nécessaire sur les composants de tiers n'est pas couvert par cette garantie. Pour être couvert par cette garantie, le produit doit avoir été acheté aux États-Unis ou au Canada par l'acheteur d'origine. Cette garantie couvre uniquement la distribution de produits aux États-Unis ou au Canada par NECTECH. Aucun service n'est fourni sous couvert de garantie à l'extérieur des États-Unis ou du Canada. NECTECH exigera une preuve d'achat au soutien de la date d'achat. Cette preuve d'achat doit être sur la facture ou le reçu d'origine contenant le nom et l'adresse du vendeur, ceux de l'acheteur, ainsi que le numéro de série du produit.

Il vous incombera de faire expédier le produit à vos frais, port prépayé, ou de le faire livrer, toujours à vos frais, au revendeur agréé à qui il a été acheté ou à un autre centre agréé par NECTECH pour rendre les services prévus aux présentes, soit dans l'emballage d'origine soit dans un emballage similaire offrant une protection équivalente. Tous les produits renvoyés à NECTECH pour service DOIVENT faire l'objet d'une approbation préalable, laquelle peut être obtenue en composant le 1-800-632-4662. Le produit ne doit pas avoir été altéré, réparé ou entretenu précédemment par une personne autre qu'un centre de service agréé par NECTECH pour rendre ce service ; le numéro de série du produit ne doit pas avoir fait l'objet d'un accident, d'une utilisation abusive ou erronée, ou d'une utilisation contraire aux instructions contenues dans le manuel d'instructions. Toutes ces conditions annuleront cette garantie.

NECTECH NE SERA RESPONSABLE D'AUCUNS DOMMAGES DIRECTS, INDIRECTS, ACCESSOIRES, ANCILLAIRES OU AUTRES TYPES DE DOMMAGES PAR SUITE DE L'UTILISATION DE TOUT PRODUIT NECTECH, SA RESPONSABILITÉ SE LIMITANT UNIQUEMENT À CE QUI EST INDIQUÉ CI-DESSUS. CES GARANTIES TIENNENT LIEU DE TOUTE AUTRE GARANTIE EXPLICITE OU IMPLICITE, Y COMPRIS, DE MANIÈRE NON LIMITATIVE, LES GARANTIES IMPLICITES DE COMMERCIALISATION OU D'APTITUDE À UNE FIN PARTICULIÈRE. CERTAINES JURIDICTIONS N'AUTORISENT PAS L'EXCLUSION DES GARANTIES IMPLICITES NI LA LIMITATION OU L'EXCLUSION DE RESPONSABILITÉ AU TITRE DE DOMMAGES INDIRECTS OU ACCESSOIRES. IL SE PEUT DONC QUE LES EXCLUSIONS OU LES LIMITATIONS SUSVISÉES NE S'APPLIQUENT PAS À VOUS.

Ce produit est garanti conformément aux modalités de cette garantie limitée. Les consommateurs sont avisés que la performance du produit est affectée, entre autres, par la configuration du système, le logiciel, l'application, les données du consommateur et le contrôle du système par l'opérateur. Bien que les produits NECTECH soient considérés comme étant compatibles avec de nombreux systèmes, la mise en oeuvre fonctionnelle spécifique du produit peut varier suivant les clients. Par conséquent, il incombe au consommateur de déterminer si un produit convient au but ou à une application spécifique qu'il veut en faire, et NECTECH n'assume aucune responsabilité à cet égard.

Pour connaître le nom du centre de service NECTECH agréé le plus proche de vous, contactez NECTECH au 1-800-632-4662.

Notes

AVIS DE PROPRIÉTÉ EXCLUSIVE ET DÉNÉGATION DE RESPONSABILITÉ

Les informations divulguées dans ce document, y compris tous les dessins et matériel connexe, constituent la propriété précieuse de NEC Technologies et/ou de ses licenciées, le cas échéant, réservent tous les droits de brevet, de copyright et autres droits de propriété exclusive à ce document, y compris tous les droits de dessin, de fabrication, de reproduction, d'utilisation et de vente à celui-ci, sauf dans la mesure où lesdits droits sont explicitement accordés à d'autres.

Le ou les produits de NEC Technologies abordés dans ce document sont garantis conformément aux modalités de l'énoncé de garantie limitée accompagnant chaque produit. Cependant, la performance effective de chacun de ces produits dépend de facteurs tels que la configuration du système, les données du client et le contrôle par l'opérateur. Étant donné que la mise en oeuvre de chaque produit peut varier suivant les clients, il incombe au client de déterminer le caractère adéquat des configurations et des applications particulières des produits, et NECTECH n'assume aucune responsabilité à cet égard.

Dans le but d'améliorer les conceptions et les caractéristiques, les informations contenues dans ce document peuvent être modifiées sans préavis. La reproduction de ce document ou de parties de ceux-ci sans l'approbation préalable de NEC Technologies est interdite.

DÉCLARATION DE CONFORMITÉ

Ce dispositif est conforme à la Partie 15 des Règles de la FCC. L'utilisation est sujette aux deux conditions ci-après : (1) ce dispositif ne peut causer des interférences nuisibles, et (2) ce dispositif doit accepter toute interférence reçue, y compris une interférence qui peut causer un fonctionnement non désiré.

| | |
|------------------------|--|
| Responsable aux É.U. : | NEC Technologies, Inc. 1250 N. Arlington Heights Road Itasca, Illinois 60143 |
| No. de téléphone : | (630) 467-5000 |

Type de produit : Périphérique informatique

Classification du matériel : Périphériques de classe B

Modèles : IB-AUDIO



Nous déclarons par les présentes que le matériel décrit ci-dessus est conforme aux normes techniques précisées dans les règles de la FCC.



Pièce No. A3842
Imprimé en Chine

MultiSync est une marque déposée de NEC Technologies, Inc. aux É.U. et de NEC Home Electronics Ltd. au Canada, au R.U., en Allemagne, en France, en Espagne, en Italie, en Autriche, au Bénélux, en Suisse, au Danemark, en Finlande, en Norvège et en Arabie saoudite. IntelliBase et Fastfacts sont des marques de commerce de NEC Technologies, Inc. aux États-Unis et au Canada. NEC est une marque déposée de NEC Corporation Copyright 1998 par NEC Technologies, Inc. Altec Lansing est une marque déposée de la société Altec Lansing Technologies, Inc. Windows est une marque déposée de Microsoft Corporation. Toutes les autres marques et tous les autres noms de produit sont des marques de commerce ou des marques déposées de leurs titulaires respectifs.

PROPRIETARY NOTICE AND LIABILITY DISCLAIMER

The information disclosed in this document, including all designs and related materials, is the valuable property of NEC Technologies and/or its licensors, as appropriate, reserve all patent, copyright and other proprietary rights to this document, including all design, manufacturing, reproduction, use and sales rights thereto, except to the extent said rights are expressly granted to others.

The NEC Technologies product(s) discussed in this document are warranted in accordance with the terms of the Limited Warranty Statement accompanying each product. However, actual performance of each such product is dependent upon factors such as system configuration, customer data and operator control. Since implementation by customers of each product may vary, the suitability of specific product configurations and applications must be determined by the customer and is not warranted by NEC Technologies.

To allow for design and specification improvements, the information in this document is subject to change without notice. Reproduction of this document or portions thereof without prior approval of NEC Technologies is prohibited.

DECLARATION OF CONFORMITY

This device complies with Part 15 of FCC Rules. Operation is subject to the following two conditions. (1) This device may not cause harmful interference, and (2) this device must accept any interference received, including interference that may cause undesired operation.

| | |
|-------------------------|--|
| U.S. Responsible Party: | NEC Technologies, Inc. 1250 N. Arlington Heights Road Itasca, Illinois 60143 |
| Tel.No.: | (630) 467-5000 |

Type of Product: Computer Peripheral
 Equipment Classification: Class B Peripherals
 Models: IB-AUDIO



We hereby declare that the equipment specified above conforms to the technical standards as specified in the FCC rules



Part No. A3842
Printed in China

MultiSync is a registered trademark of NEC Technologies, Inc. in the U.S. and of NEC Home Electronics Ltd. In Canada, UK, Germany, France, Spain, Italy, Austria, Benelux, Switzerland, Denmark, Finland, Norway and Saudi Arabia. IntelliBase and Fastfacts are trademarks of NEC Technologies, Inc. in the U.S. and Canada. NEC is a registered trademark of NEC Corporation Copyright 1998 by NEC Technologies, Inc. Altec Lansing is a registered trademark of Altec Lansing Technologies, Inc. Windows is a registered trademark of Microsoft Corporation. All other brands and product names are trademarks or registered trademarks of their respective owners.

Free Manuals Download Website

<http://myh66.com>

<http://usermanuals.us>

<http://www.somanuals.com>

<http://www.4manuals.cc>

<http://www.manual-lib.com>

<http://www.404manual.com>

<http://www.luxmanual.com>

<http://aubethermostatmanual.com>

Golf course search by state

<http://golfingnear.com>

Email search by domain

<http://emailbydomain.com>

Auto manuals search

<http://auto.somanuals.com>

TV manuals search

<http://tv.somanuals.com>