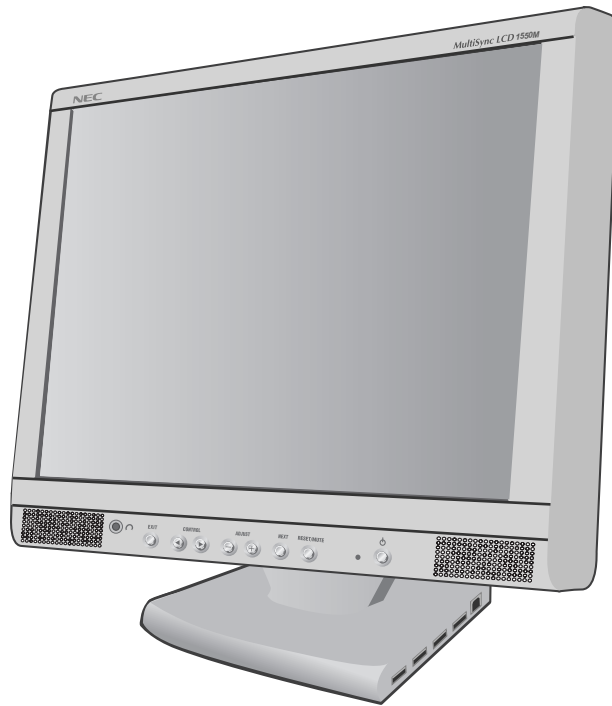


**NEC**



USER'S MANUAL

# MultiSync® LCD1550M™

To learn about other special offers, register online at [www.necmitsubishi.com/productregistration](http://www.necmitsubishi.com/productregistration)



# Index

---


Warning .....	1
Contents .....	2
Quick Start .....	3
Controls .....	8
Recommended Use .....	11
Specifications .....	13
Features .....	14
Troubleshooting .....	15
References .....	17
Limited Warranty .....	18
TCO'95 .....	19
TCO'99 .....	21
Avertissement .....	24
Contenu .....	25
Mise en marche rapide .....	26
Commandes .....	31
Usage recommandé .....	34
Fiche technique .....	36
Fonctions .....	37
Dépannage .....	38
Références .....	40
Garantie limitée .....	41
TCO'95 .....	42
TCO'99 .....	44


 **WARNING** 

TO PREVENT FIRE OR SHOCK HAZARDS, DO NOT EXPOSE THIS UNIT TO RAIN OR MOISTURE. ALSO, DO NOT USE THIS UNIT'S POLARIZED PLUG WITH AN EXTENSION CORD RECEPTACLE OR OTHER OUTLETS UNLESS THE PRONGS CAN BE FULLY INSERTED.  
REFRAIN FROM OPENING THE CABINET AS THERE ARE HIGH VOLTAGE COMPONENTS INSIDE. REFER SERVICING TO QUALIFIED SERVICE PERSONNEL.

 **CAUTION** 

CAUTION: TO REDUCE THE RISK OF ELECTRIC SHOCK, MAKE SURE POWER CORD IS UNPLUGGED FROM WALL SOCKET. TO FULLY DISENGAGE THE POWER TO THE UNIT, PLEASE DISCONNECT THE POWER CORD FROM THE AC OUTLET. DO NOT REMOVE COVER (OR BACK). NO USER SERVICEABLE PARTS INSIDE. REFER SERVICING TO QUALIFIED SERVICE PERSONNEL.

 This symbol warns user that uninsulated voltage within the unit may have sufficient magnitude to cause electric shock. Therefore, it is dangerous to make any kind of contact with any part inside this unit.

 This symbol alerts the user that important literature concerning the operation and maintenance of this unit has been included. Therefore, it should be read carefully in order to avoid any problems.

### Canadian Department of Communications Compliance Statement

DOC: This Class B digital apparatus meets all requirements of the Canadian Interference-Causing Equipment Regulations.

C-UL: Bears the C-UL Mark and is in compliance with Canadian Safety Regulations according to CAN/CSA C22.2 No. 950.

### FCC Information

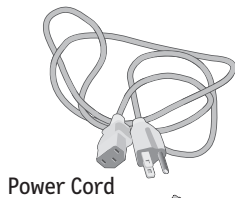
- Use the attached specified cables with the MultiSync LCD1550M (LA-15R03 and LA-15R03-BK) color monitor so as not to interfere with radio and television reception.
  - Please use the supplied power cord or equivalent to ensure FCC compliance.
  - Please use the supplied shielded video signal cable.
  - Please use supplied USB cable.
  - Please use supplied audio cable.Use of other cables and adapters may cause interference with radio and television reception.
- This equipment has been tested and found to comply with the limits for a Class B digital device, pursuant to part 15 of the FCC Rules. These limits are designed to provide reasonable protection against harmful interference in a residential installation. This equipment generates, uses, and can radiate radio frequency energy, and, if not installed and used in accordance with the instructions, may cause harmful interference to radio communications. However, there is no guarantee that interference will not occur in a particular installation. If this equipment does cause harmful interference to radio or television reception, which can be determined by turning the equipment off and on, the user is encouraged to try to correct the interference by one or more of the following measures:
  - Reorient or relocate the receiving antenna.
  - Increase the separation between the equipment and receiver.
  - Connect the equipment into an outlet on a circuit different from that to which the receiver is connected.
  - Consult your dealer or an experienced radio/TV technician for help.

If necessary, the user should contact the dealer or an experienced radio/television technician for additional suggestions. The user may find the following booklet, prepared by the Federal Communications Commission, helpful: "How to Identify and Resolve Radio-TV Interference Problems." This booklet is available from the U.S. Government Printing Office, Washington, D.C., 20402, Stock No. 004-000-00345-4.

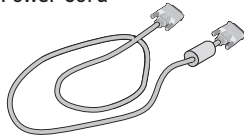
# Contents

Your new NEC MultiSync® LCD monitor box\* should contain the following:

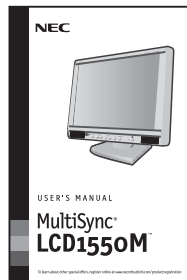
- MultiSync LCD1550M™ monitor with tilt / swivel base
- Power Cord
- Video Signal Cable
- Audio Cable
- USB Cable
- User's Manual



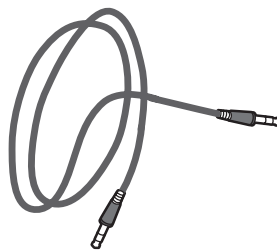
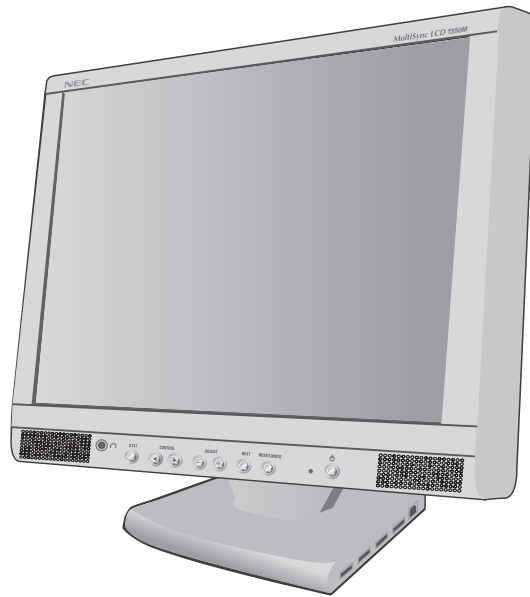
Power Cord



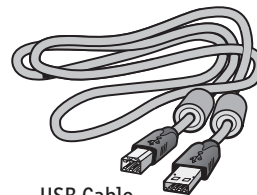
Video Signal Cable



User's Manual



Audio Cable



USB Cable

\* Remember to save your original box and packing material to transport or ship the monitor.

# Quick Start

To attach the MultiSync® LCD monitor to your system, follow these instructions:

1. Turn off the power to your computer.
2. Remove connector cover and cable cover. Connect the audio cable to "Line-in" on the back of the monitor and the other end to the "Audio out" terminal of the computer. Place the Audio cable under Clip B (**Figure A.1**).
3. For the PC: Connect the 15-pin mini D-SUB of the appropriate signal cable to the connector of the display card in your system (**Figure B.1**). Tighten all screws.  
For the Mac: Connect the MultiSync LCD1550M™ Macintosh cable adapter to the computer (**Figure C.1**). Attach the 15-pin mini D-SUB end of the appropriate signal cable to the MultiSync LCD1550M Macintosh cable adapter (**Figure C.1**). Tighten all screws.

**NOTE: To obtain the MultiSync LCD1550M Macintosh cable adapter, call NEC-Mitsubishi Electronics Display of America, Inc. at (800) 820-1230.**

4. Connect the 15-pin mini D-SUB of the video signal cable to the appropriate connector on the back of the monitor. Place the Video Signal Cable under Clip B (**Figure D.1**).
5. Headphones may be connected to the "Headphones" output on the front of the monitor's bezel marked "H" (**Figure E.1**). While the headphones are connected, the sound from the speakers will be disabled. Headphones can be purchased from your local electronics store.
6. Using the USB cable, connect the B type connector to the USB upstream port on the right side of the monitor and A type connector to the downstream port on the computer (**Figure F.1**). If you are using the cord from the USB device, use one of the downstream port on the side of the monitor (**Figure G.1**).
7. Connect one end of the power cord to the MultiSync LCD Series monitor and the other end to the power outlet. Place the Video Signal Cable and AC power cord under Clips (**Figure D.1**). Replace connector cover and cable cover.

**NOTE: Adjust position of cable that place under clips, to avoid damage for cable or monitor.**

**NOTE: If you use this monitor at AC220-240V, please refer to Recommended Use section of this manual for proper selection of AC power cord.**

8. The Vacation Switch on the left side of the monitor must be turned on (**Figure H.1**). Turn on the monitor with the front power button and the computer.

**NOTE: The Vacation Switch is a true on/off switch. If this switch is on the OFF position, the monitor cannot be turned on using the front button. DO NOT switch on/off repeatedly.**

9. No-touch auto adjust automatically adjusts the monitor to optimal settings (native resolution only) upon initial setup for most timings. For further adjustments, use the following OSM™ controls:

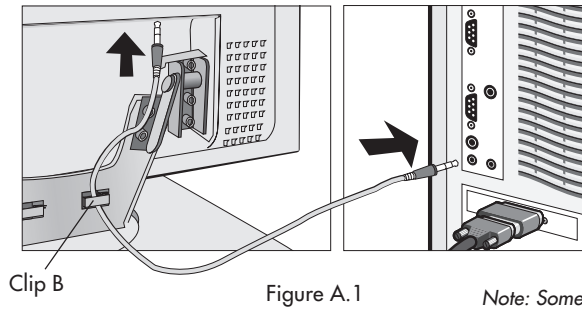
- Auto Adjust Contrast
- Auto Adjust

Refer to the Controls section of this User's Manual for a full description of these OSM controls.

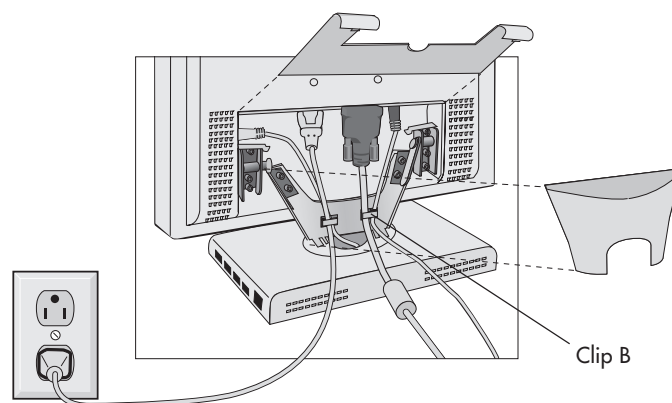
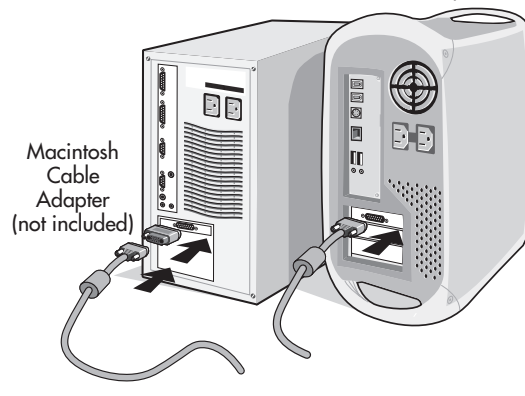
**NOTE:** For download information on the Windows® 95/98/2000 INF file for your MultiSync LCD1550M monitor, refer to the **References** section of this User's Manual.

**NOTE:** If you have any problems, please refer to the **Troubleshooting** section of this User's Manual.

## Quick Start *-continued*



*Note: Some Macintosh systems do not require a Macintosh Cable Adapter*



## Quick Start *-continued*

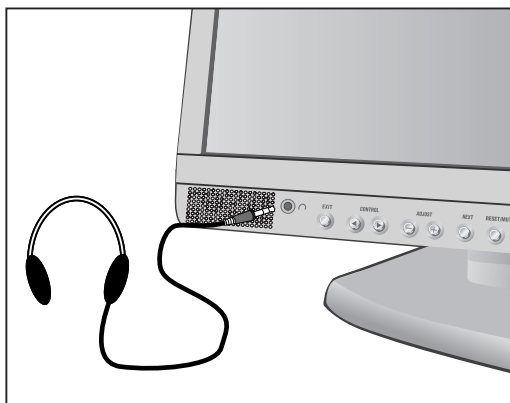


Figure E.1

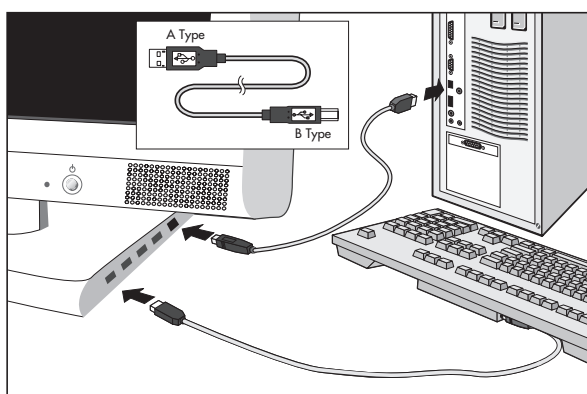


Figure F.1/G.1

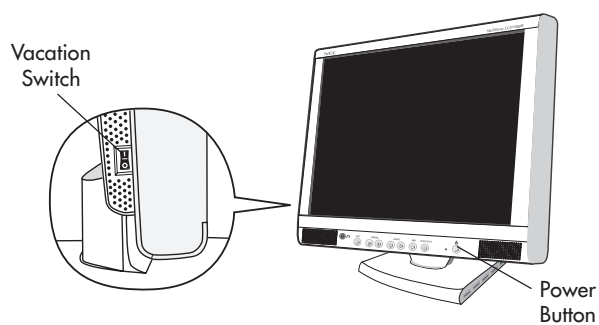


Figure H.1

## Quick Start *–continued*

### Tilt and swivel

Grasp both sides of the monitor screen with your hands and adjust the tilt and swivel as desired (Figure TS.1).

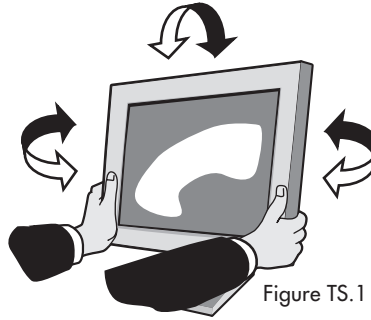


Figure TS.1

### Remove Monitor Stand for Mounting

To prepare the monitor for alternate mounting purposes:

1. Remove the connector cover and the cable cover (Figure R.1).
2. Disconnect all cables.
3. Place monitor face down on a non-abrasive surface (Figure R.2).
4. Remove the 4 screws connecting the monitor to the stand and lift off the stand assembly (Figure R.2).  
The monitor is now ready for mounting in an alternate manner.

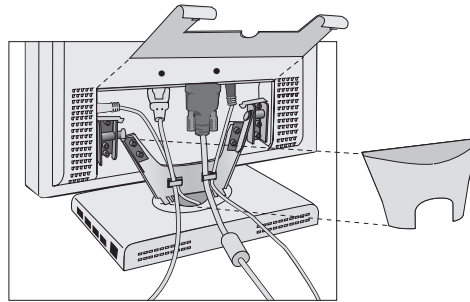


Figure R.1

5. Connect the AC cord, signal cable and Audio cable to the back of the monitor (Figure R.3).
6. Reverse this process to reattach stand.

**NOTE:** Use only VESA-compatible alternative mounting method.

When the monitor stand is removed, the USB capabilities will be disabled.

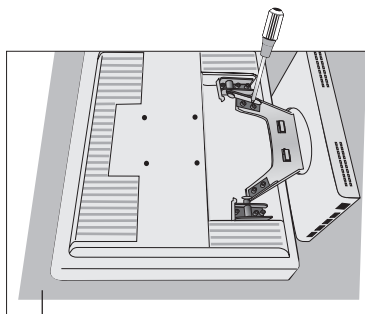


Figure R.2

Non-abrasive  
surface

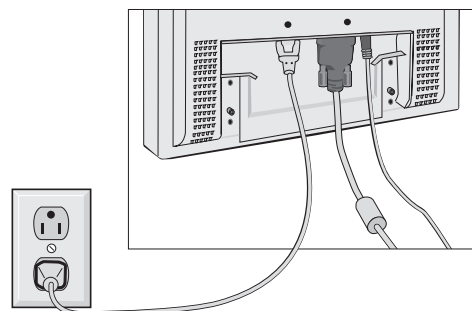


Figure R.3



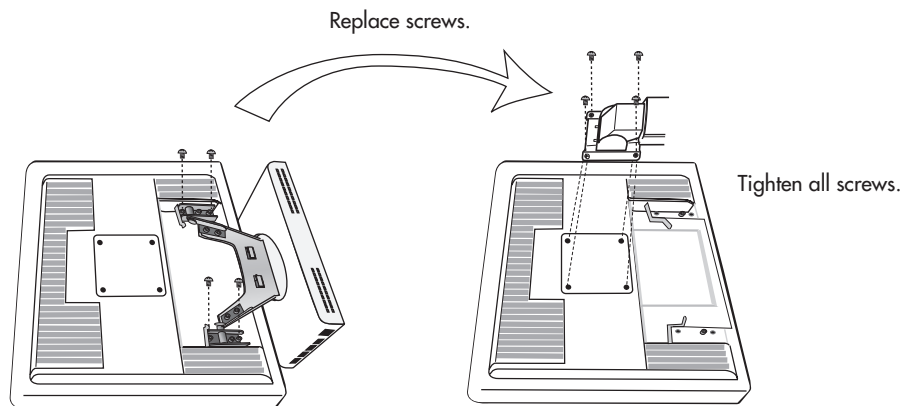
## Quick Start *-continued*

7. This LCD monitor is designed for use with a flexible arm.

Please use the attached screws (4pcs) as shown in the picture when installing.

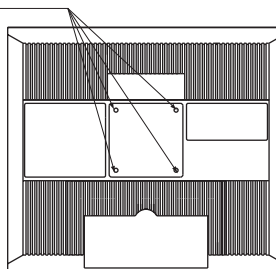
To meet the safety requirements, the monitor must be mounted to an arm which guaranties the necessary stability under consideration of the weight of the monitor.

The LCD monitor shall only be used with an approved arm (e.g. GS mark).



### Specifications

4-SCREWS  
(MAX depth: 10mm)



Weight of LCD Assembly:  
3.5kg (MAX)

# Controls

## OSM™ (On-Screen Manager) control buttons on the front of the monitor function as follows:

To access OSM menu, press any of the control buttons ( ◀ , ▶ , - , + , NEXT ).

	Menu
<b>EXIT</b>	Exits the OSM controls. Exits to the OSM main menu.
<b>CONTROL</b> ◀ / ▶	Moves the highlighted area left/right to select control menus. Moves the highlighted area up/down to select one of the controls.
<b>ADJUST</b> -/+	Moves the bar left/right to increase or decrease the adjustment. Active Auto Adjust function. Enter the Sub Menu.
<b>NEXT</b>	Moves the highlighted area of main menu right to select one of the controls.
<b>RESET / MUTE</b>	Resets the highlighted control to the factory setting. When no OSM menu is shown, the speaker sound will be muted.

NOTE: When **RESET** is pressed in the main and sub-menu, a warning window will appear allowing you to cancel the **RESET** function by pressing the **EXIT** button.

### **Sound**

#### **Volume**

Control the sound volume of speakers and headphone.

### **Brightness/Contrast Controls**

#### **BRIGHTNESS**

Adjusts the overall image and background screen brightness.

#### **CONTRAST**

Adjusts the image brightness in relation to the background.

#### AUTO **AUTO**

Adjusts the image displayed for non-standard video inputs.

### AUTO **Auto Adjust**

Automatically adjusts the Image Position and H. Size settings and Fine settings.

### **Image Controls**

#### **LEFT / RIGHT**

Controls Horizontal Image Position within the display area of the LCD.

#### **DOWN / UP**

Controls Vertical Image Position within the display area of the LCD.

#### **H.SIZE**

Adjusts the horizontal size by increasing or decreasing this setting.

#### **FINE**

Improves focus, clarity and image stability by increasing or decreasing this setting.

## Controls *–continued*

### **AccuColor® Control Systems**


**AccuColor® Control Systems:** Six color presets select the desired color setting (sRGB and NATIVE color presets are standard and cannot be changed). Color temperature increases or decreases, in each preset. **R,Y,G,C,B,M,S:** Increases or decreases Red, Yellow, Green, Cyan, Blue, Magenta and Saturation depending upon which is selected. The change in color will appear on screen and the direction (increase or decrease) will be shown by the color bars.


**NATIVE:** Original color presented by the LCD panel that is unadjustable.


**sRGB:** sRGB mode dramatically improves the color fidelity in the desktop environment by a single standard RGB color space. With this color supported environment, the operator could easily and confidently communicate color without further color management overhead in the most common situations.


### **Tools**


 **LANGUAGE:** OSM™ control menus are available in seven languages.

 **OSM POSITION:** You can choose where you would like the OSM control image to appear on your screen. Selecting OSM Location allows you to manually adjust the position of the OSM control menu left, right, down or up.

 **OSM TURN OFF:** The OSM control menu will stay on as long as it is in use. In the OSM Turn Off submenu, you can select how long the monitor waits after the last touch of a button to shut off the OSM control menu. The preset choices are 10, 20, 30, 45, 60 and 120 seconds.

 **OSM LOCK OUT:** This control completely locks out access to all OSM control functions. When attempting to activate OSM controls while in the Lock Out mode, a screen will appear indicating the OSM controls are locked out. To activate the OSM Lock Out function, press ◀, then ▶ and hold down simultaneously. To de-activate the OSM Lock Out, press ◀, then ▶ and hold down simultaneously.

 **RESOLUTION NOTIFIER:** This optimal resolution is 1024 x 768. If ON is selected, a message will appear on the screen after 30 seconds, notifying you that the resolution is not at 1024 x 768.

 **FACTORY PRESET:** Selecting Factory Preset allows you to reset all OSM control settings back to the factory settings. The RESET button will need to be held down for several seconds to take effect. Individual settings can be reset by highlighting the control to be reset and pressing the RESET button.

## Controls *–continued*

---

### **Information**

**MODE DISPLAY MODE:** Indicates the current display resolution and frequency setting of the monitor.

 **MONITOR INFO:** Indicates the model and serial numbers of your monitor.

**OSM™ Warning:** OSM Warning menus disappear with Exit button.

**NO SIGNAL:** This function gives a warning when there is no signal present. After power is turned on or when there is a change of input signal or video is inactive, the **No Signal** window will appear.

**RESOLUTION NOTIFIER:** This function gives a warning of use with optimized resolution. After power is turned on or when there is a change of input signal or the video signal doesn't have proper resolution, the **Resolution Notifier** window will open. This function can be disabled in the TOOL menu.

**OUT OF RANGE:** This function gives a recommendation of the optimized resolution and refresh rate. After the power is turned on or there is a change of input signal or the video signal doesn't have proper timing, the **Out Of Range** menu will appear.

**CHECK CABLE:** This function will advise you to check all Video Inputs on the monitor and computer to make sure they are properly connected.

# Recommended Use

## Safety Precautions and Maintenance



FOR OPTIMUM PERFORMANCE, PLEASE NOTE THE FOLLOWING WHEN SETTING UP AND USING THE MULTISYNC® LCD COLOR MONITOR:



- **DO NOT OPEN THE MONITOR.** There are no user serviceable parts inside and opening or removing covers may expose you to dangerous shock hazards or other risks. Refer all servicing to qualified service personnel.
- Do not spill any liquids into the cabinet or use your monitor near water.
- Do not insert objects of any kind into the cabinet slots, as they may touch dangerous voltage points, which can be harmful or fatal or may cause electric shock, fire or equipment failure.
- Do not place any heavy objects on the power cord. Damage to the cord may cause shock or fire.
- Do not place this product on a sloping or unstable cart, stand or table, as the monitor may fall, causing serious damage to the monitor.
- When operating the MultiSync LCD monitor with its AC 220-240V power supply, use a power supply cord that matches the power supply voltage of the AC power outlet being used. The power supply cord you use must have been approved by and comply with the safety standards of your country. (Type H05VV-F should be used in Europe)
- In UK, use a BS-approved power cord with molded plug having a black (5A) fuse installed for use with this monitor. If a power cord is not supplied with this monitor, please contact your supplier.
- Do not place any objects onto the monitor and do not use the monitor outdoors.
- The inside of the fluorescent tube located within the LCD monitor contains mercury. Please follow the bylaws or rules of your municipality to dispose of the tube properly.

Immediately unplug your monitor from the wall outlet and refer servicing to qualified service personnel under the following conditions:

- When the power supply cord or plug is damaged.
- If liquid has been spilled, or objects have fallen into the monitor.
- If the monitor has been exposed to rain or water.
- If the monitor has been dropped or the cabinet damaged.
- If the monitor does not operate normally by following operating instructions.
- Do not bend power cord.
- Do not use monitor in high temperature, humid, dusty, or oily areas.
- If glass is broken, handle with care.
- Do not cover vent on monitor.
- If monitor or glass is broken, do not come in contact with the liquid crystal and handle with care.
- Allow adequate ventilation around the monitor so that heat can properly dissipate. Do not block ventilated openings or place the monitor near a radiator or other heat sources. Do not put anything on top of monitor.
- The power cable connector is the primary means of detaching the system from the power supply. The monitor should be installed close to a power outlet which is easily accessible.
- Handle with care when transporting. Save packaging for transporting.



**CAUTION**

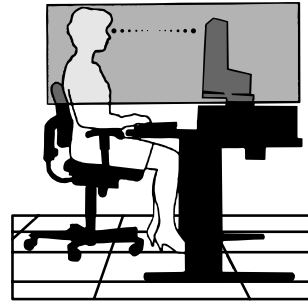
## Recommended Use *–continued*



CORRECT PLACEMENT AND ADJUSTMENT OF THE MONITOR CAN REDUCE EYE, SHOULDER AND NECK FATIGUE. CHECK THE FOLLOWING WHEN YOU POSITION THE MONITOR:



- For optimum performance, allow 20 minutes for warm-up.
- Adjust the monitor height so that the top of the screen is at or slightly below eye level. Your eyes should look slightly downward when viewing the middle of the screen.
- Position your monitor no closer than 16 inches and no further away than 28 inches from your eyes. The optimal distance is 21 inches.
- Rest your eyes periodically by focusing on an object at least 20 feet away. Blink often.
- Position the monitor at a 90° angle to windows and other light sources to minimize glare and reflections. Adjust the monitor tilt so that ceiling lights do not reflect on your screen.
- If reflected light makes it hard for you to see your screen, use an anti-glare filter.
- Clean the LCD monitor surface with a lint-free, non-abrasive cloth. Avoid using any cleaning solution or glass cleaner!
- Adjust the monitor's brightness and contrast controls to enhance readability.
- Use a document holder placed close to the screen.
- Position whatever you are looking at most of the time (the screen or reference material) directly in front of you to minimize turning your head while you are typing.
- Avoid displaying fixed patterns on the monitor for long periods of time to avoid image persistence (after-image effects).
- Get regular eye checkups.



### **Ergonomics**

To realize the maximum ergonomics benefits, we recommend the following:

- Adjust the Brightness until the background raster disappears
- Do not position the Contrast control to its maximum setting
- Use the preset Size and Position controls with standard signals
- Use the preset Color Setting
- Use non-interlaced signals with a vertical refresh rate between 60-75Hz
- Do not use primary color blue on a dark background, as it is difficult to see and may produce eye fatigue to insufficient contrast

*For more detailed information on setting up a healthy work environment, call NEC-Mitsubishi Electronics Display of America at (800) 820-1230, NEC FastFacts™ information at (800) 366-0476 and request document #900108 or write the American National Standard for Human Factors Engineering of Visual Display Terminal Workstations – ANSI-HFS Standard No. 100-1988 – The Human Factors Society, Inc. P.O. Box 1369, Santa Monica, California 90406.*

# Specifications

Monitor Specifications	MultiSync® LCD1550M™	Notes
LCD Module Viewable Image Size: Native Resolution (Pixel Count):	Diagonal: 15.0 inch 15.0 inch 1024 x 768	Active matrix; thin film transistor (TFT) liquid crystal display (LCD); 0.30 mm dot pitch; 300cd/m <sup>2</sup> white luminance; 450:1 contrast ratio, typical
Input Signal	Video: Sync: ANALOG 0.7 Vp-p/75 Ohms Separate sync. TTL Level Horizontal sync. Positive/Negative Vertical sync. Positive/Negative	
Display Colors	Analog input: 16,777,216	Depends on display card used.
Synchronization Range	Horizontal: Vertical: 31.5 kHz to 60 kHz 56.2 Hz to 75.1 Hz	Automatically Automatically
Resolutions Supported	720 x 400* <sup>1</sup> : VGA text 640 x 480* <sup>1</sup> at 60 Hz to 75 Hz 800 x 600* <sup>1</sup> at 56 Hz to 75 Hz 832 x 624* <sup>1</sup> at 75 Hz 1024 x 768 at 60 Hz to 75 Hz .....	Some systems may not support all modes listed.  NEC-Mitsubishi Electronics Display cites recommended resolution at 75 Hz for optimal display performance.
Active Display Area	Horizontal : Vertical : 304 mm/12.0 inches 228 mm/9.0 inches	
USB Hub	I/F: Port: Load Current: USB Specification Revision 1.1 Upstream 1 Downstream 4 Maximum 0.5A per port	
Speakers	Practical Audio Output: 1.0W + 1.0W	
Power Supply	AC 100 - 120 V/ 220-240 V @ 50/60 Hz	
Current Rating	0.75 A @ 100-120 V, 0.45 A @ 220-240 V	
Dimensions	345 mm (W) x 363 mm (H) x 162 mm (D) 13.6 inches (W) x 14.3 inches (H) x 6.4 inches (D)	
Weight	4.9 kg 10.8 lbs	
Environmental Considerations	Operating Temperature: Humidity: Feet: Storage Temperature: Humidity: Feet: 5°C to 35°C/41°F to 95°F 30% to 80% 0 to 10,000 Feet -10°C to 60°C/14°F to 140°F 10% to 85% 0 to 31,500 Feet	

\*<sup>1</sup> Interpolated Resolutions: When resolutions are shown that are lower than the pixel count of the LCD module, text may appear different. This is normal and necessary for all current flat panel technologies when displaying non-native resolutions full screen. In flat panel technologies, each dot on the screen is actually one pixel, so to expand resolutions to full screen, an interpolation of the resolution must be done.

NOTE: Technical specifications are subject to change without notice.

# Features

---

**Reduced Footprint:** Provides the ideal solution for environments requiring superior image quality but with size and weight limitations. The monitor's small footprint and low weight allow it to be moved or transported easily from one location to another.

**AccuColor® Control Systems:** Six color presets select the desired color setting (sRGB and NATIVE color presets are standard and cannot be changed). Color temperature increases or decreases, in each preset. R,Y,G,C,B,M,S: Increases or decreases Red, Yellow, Green, Cyan, Blue, Magenta and Saturation depending upon which is selected. The change in color will appear on screen and the direction (increase or decrease) will be shown by the color bars. NATIVE: Original color presented by the LCD panel that is unadjustable.

**sRGB Color Control:** A new optimized color management standard which allows for color matching on computer displays and other peripherals. The sRGB, which is based on the calibrated color space, allows for optimal color representation and backward compatibility with other common color standards.

**OSM™ (On-Screen Manager) Controls:** Allow you to quickly and easily adjust all elements of your screen image via simple to use on-screen menus.

**No-touch Auto Adjust:** No-touch auto adjust automatically adjusts the monitor to optimal settings upon initial setup.

**ErgoDesign® Features:** Enhance human ergonomics to improve the working environment, protect the health of the user and save money. Examples include OSM controls for quick and easy image adjustments, tilt base for preferred angle of vision, small footprint and compliance with MPRII and TCO guidelines for lower emissions.

**Plug and Play:** The Microsoft® solution with the Windows®95/98/2000 operating system facilitates setup and installation by allowing the monitor to send its capabilities (such as screen size and resolutions supported) directly to your computer, automatically optimizing display performance.

**IPM™ (Intelligent Power Manager) System:** Provides innovative power-saving methods that allow the monitor to shift to a lower power consumption level when on but not in use, saving two-thirds of your monitor energy costs, reducing emissions and lowering the air conditioning costs of the workplace.

**Multiple Frequency Technology:** Automatically adjusts monitor to the display card's scanning frequency, thus displaying the resolution required.

**FullScan™ Capability:** Allows you to use the entire screen area in most resolutions, significantly expanding image size.

**VESA Standard Mounting Interface:** Allows users to connect their MultiSync monitor to any VESA standard third party mounting arm or bracket. Allows for the monitor to be mounted on a wall or an arm using any third party compliant device.

OSM Display Screen Copyright 2001 by  
NEC-Mitsubishi Electronics Display of America, Inc.



# Troubleshooting

---

## No picture

- The signal cable should be completely connected to the display card/computer.
- The display card should be completely seated in its slot.
- Check the Vacation Switch should be in the ON position.
- Front Power Switch and computer power switch should be in the ON position.
- Check to make sure that a supported mode has been selected on the display card or system being used. (Please consult display card or system manual to change graphics mode.)
- Check the monitor and your display card with respect to compatibility and recommended settings.
- Check the signal cable connector for bent or pushed-in pins.

## Power Button does not respond

- Unplug the power cord of the monitor from the AC outlet to turn off and reset the monitor.
- Check the Vacation Switch on the left side of the monitor.

## Image persistence

- Image persistence is when a "ghost" of an image remains on the screen even after the monitor has been turned off. Unlike CRT monitors, LCD monitors' image persistence is not permanent. To alleviate image persistence, turn the monitor off for as long as an image was displayed. If an image was on the monitor for one hour and a "ghost" of that image remains, the monitor should be turned off for one hour to erase the image.  
**NOTE: As with all personal display devices, NEC-Mitsubishi Electronics Display of America recommends using a screen saver at regular intervals whenever the screen is idle.**

## Image is unstable, unfocused or swimming is apparent

- Signal cable should be completely attached to the computer.
- Use the OSM Image Adjust controls to focus and adjust display by increasing or decreasing the fine total. When the display mode is changed, the OSM Image Adjust settings may need to be re-adjusted.
- Check the monitor and your display card with respect to compatibility and recommended signal timings.
- If your text is garbled, change the video mode to non-interlace and use 60Hz refresh rate.

## LED on monitor is not lit *(no green or amber color can be seen)*

- Power Switch should be in the ON position and power cord should be connected.
- Make certain the computer is not in a power-saving mode (touch the keyboard or mouse).

## Display image is not sized properly

- Use the OSM Image Adjust controls to increase or decrease the Coarse total.
- Check to make sure that a supported mode has been selected on the display card or system being used. (Please consult display card or system manual to change graphics mode.)

# Troubleshooting *–continued*

---

## **Selected resolution is not displayed properly**

- Use OSM Display Mode to enter Information menu and confirm that the appropriate resolution has been selected. If not, select corresponding option.

## **No Sound**

- Check to see if speaker cable is properly connected.
- Check to see if mute is activated.
- Check to see if volume in OSM is set at minimum.

## **USB Hub does not operate**

- Check to make sure the USB cord is properly connected. Refer to your USB device User's Manual.

# References

---

- **BBS** **(978) 742-8706**  
 NEC-Mitsubishi Electronics Display of America Remote Bulletin Board System is an electronic service accessible with your system and a modem. Communication parameters are: 300/1200/2400/9600/14.4k/28.8k/33.6k bps, no parity, 8-data bits, 1 stop bit
- **Customer Service/ Technical Support** **(800) 632-4662**  
**Fax** **(978) 742-7049**
- **Electronic Channels:**  
 Internet e-mail: [tech-support@necmitsubishi.com](mailto:tech-support@necmitsubishi.com)  
 Internet ftp site: <ftp.necmitsubishi.com>  
 World Wide Web: <http://www.necmitsubishi.com>  
 Product Registration: <http://www.necmitsubishi.com/productregistration>  
 European Operations: <http://www.nec-monitors.com>  
 Windows® 95/98/2000 INF File: <http://support.necmitsubishi.com/software.htm>  
 then download the file NECMSINF.ZIP
- **FastFacts™ Information** **(800) 366-0476**

INFORMATION	DESCRIPTION	DOCUMENT #
Glossary	Definition of terms related to functions, features and installation of the MultiSync® monitor	900203
More Information	Names and addresses of other groups involved in standards and features of the MultiSync monitor	900204
Macintosh Connection	Detailed information on connecting the MultiSync monitor to a Macintosh	153006
Healthy Work Environment	Detailed information on setting up a healthy work environment	900108
- **Literature & Sales Info** **(800) NEC-INFO [(800) 632-4636]**
- **MultiSync Fulfillment** **(800) 820-1230**  
 [For software & accessories]
- **TeleSales** **(800) 284-4484**

## Limited Warranty

---

NEC-Mitsubishi Electronics Display of America, Inc. (hereinafter "NMD-A") warrants this Product to be free from defects in material and workmanship and, subject to the conditions set forth below, agrees to repair or replace (at NMD-A's sole option) any part of the enclosed unit which proves defective for a period of three (3) years from the date of first consumer purchase. Spare parts are warranted for ninety (90) days. Replacement parts or unit may be new or refurbished and will meet specifications of the original parts or unit.

This warranty gives you specific legal rights and you may also have other rights, which vary from state to state. This warranty is limited to the original purchaser of the Product and is not transferable. This warranty covers only NMD-A-supplied components. Service required as a result of third party components is not covered under this warranty. In order to be covered under this warranty, the Product must have been purchased in the U.S.A. or Canada by the original purchaser. This warranty only covers Product distribution in the U.S.A. or Canada by NMD-A. No warranty service is provided outside of the U.S.A. or Canada. Proof of Purchase will be required by NMD-A to substantiate date of purchase. Such proof of purchase must be an original bill of sale or receipt containing name and address of seller, purchaser, and the serial number of the product.

It shall be your obligation and expense to have the Product shipped, freight prepaid, or delivered to the authorized reseller from whom it was purchased or other facility authorized by NMD-A to render the services provided hereunder in either the original package or a similar package affording an equal degree of protection. All Products returned to NMD-A for service MUST have prior approval, which may be obtained by calling 1-800-632-4662. The Product shall not have been previously altered, repaired, or serviced by anyone other than a service facility authorized by NMD-A to render such service, the serial number of the product shall not have been altered or removed. In order to be covered by this warranty the Product shall not have been subjected to displaying of fixed images for long periods of time resulting in image persistence (afterimage effects), accident, misuse or abuse or operated contrary to the instructions contained in the User's Manual. Any such conditions will void this warranty.

NMD-A SHALL NOT BE LIABLE FOR DIRECT, INDIRECT, INCIDENTAL, CONSEQUENTIAL, OR OTHER TYPES OF DAMAGES RESULTING FROM THE USE OF ANY NMD-A PRODUCT OTHER THAN THE LIABILITY STATED ABOVE. THESE WARRANTIES ARE IN LIEU OF ALL OTHER WARRANTIES EXPRESS OR IMPLIED, INCLUDING, BUT NOT LIMITED TO, THE IMPLIED WARRANTIES OF MERCHANTABILITY OR FITNESS FOR A PARTICULAR PURPOSE. SOME STATES DO NOT ALLOW THE EXCLUSION OF IMPLIED WARRANTIES OR THE LIMITATION OR EXCLUSION OF LIABILITY FOR INCIDENTAL OR CONSEQUENTIAL DAMAGES SO THE ABOVE EXCLUSIONS OR LIMITATIONS MAY NOT APPLY TO YOU.

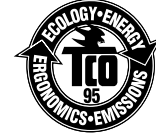
This Product is warranted in accordance with the terms of this limited warranty. Consumers are cautioned that Product performance is affected by system configuration, software, the application, customer data, and operator control of the system, among other factors. While NMD-A Products are considered to be compatible with many systems, specific functional implementation by the customers of the Product may vary. Therefore, suitability of a Product for a specific purpose or application must be determined by consumer and is not warranted by NMD-A.

For the name of your nearest authorized NEC-Mitsubishi Electronics Display service facility, contact NEC-Mitsubishi Electronics Display of America at 1-800-632-4662.

# TCO'95

## MultiSync LCD1550M Black Model (LA-15R03-BK)

Congratulations! You have just purchased a TCO'95 approved and labeled product! Your choice has provided you with a product developed for professional use. Your purchase has also contributed to reducing the burden on the environment and also, to the further development of environmentally adapted electronics products.



### Why do we have environmentally labelled computers?

In many countries, environmental labelling has become an established method for encouraging the adaptation of goods and services to the environment. The main problem, as far as computers and other electronics equipment are concerned, is that environmentally harmful substances are used both in the products and during the manufacturing. Since it has not been possible for the majority of electronics equipment to be recycled in a satisfactory way, most of these potentially damaging substances sooner or later enter Nature.

There are also other characteristics of a computer, such as energy consumption levels, that are important from the viewpoints of both the work (Internal) and natural (external) environments. Since all methods of conventional electricity generation have a negative effect on the environment (acidic and climate-influencing emissions, radioactive waste, etc.), it is vital to conserve energy. Electronics equipment in offices consume an enormous amount of energy since they are often left running continuously.

### What does labelling involve?

This product meets the requirements for the TCO'95 scheme which provides for international and environmental labelling of personal computers. The labelling scheme was developed as a joint effort by the TCO (The Swedish Confederation of Professional Employees), Naturskyddsforeningen (The Swedish Society for Nature Conservation) and NUTEK (The National Board for Industrial and Technical Development in Sweden).

The requirements cover a wide range of issues: environment, ergonomics, usability, emission of electrical and magnetic fields, energy consumption and electrical and fire safety.

The environmental demands concern restrictions on the presence and use of heavy metals, brominated and chlorinated flame retardants, CFCs (freons) and chlorinated solvents, among other things. The product must be prepared for recycling and the manufacturer is obliged to have an environmental plan which must be adhered to in each country where the company implements its operational policy. The energy requirements include a demand that the computer and/or display, after a certain period of inactivity, shall reduce its power consumption to a lower level in one or more stages. The length of time to reactivate the computer shall be reasonable for the user.

Labelled products must meet strict environmental demands, for example, in respect of the reduction of electric and magnetic fields, physical and visual ergonomics and good usability.

TCO'95 is a co-operative project between TCO (The Swedish Confederation of Professional Employees), Naturskyddsforeningen (The Swedish Society for Nature Conservation) and NUTEK (The National Board for Industrial and Technical Development in Sweden).

### Environmental Requirements

#### Brominated flame retardants

Brominated flame retardants are present in printed circuit boards, cables, wires, casings and housings. In turn, they delay the spread of fire. Up to thirty percent of the plastic in a computer casing can consist of flame retardant substances. These are related to another group of environmental toxins, PCBs, which are suspected to give rise to similar harm, including

## TCO'95 –continued

---

reproductive damage in fish eating birds and mammals, due to the bio-accumulative\* processes. Flame retardants have been found in human blood and researchers fear that disturbances in foetus development may occur.

TCO'95 demand requires that plastic components weighing more than 25 grams must not contain organically bound chlorine and bromine.

### **Lead\*\***

Lead can be found in picture tubes, display screens, solders and capacitors. Lead damages the nervous system and in higher doses, causes lead poisoning.

TCO'95 requirement permits the inclusion of lead since no replacement has yet been developed.

### **Cadmium\*\***

Cadmium is present in rechargeable batteries and in the color generating layers of certain computer displays. Cadmium damages the nervous system and is toxic in high doses.

TCO'95 requirement states that batteries may not contain more than 25 ppm (parts per million) of cadmium. The color generating layers of display screens must not contain any cadmium.

### **Mercury\*\***

Mercury is sometimes found in batteries, relays, switches, and back-light systems, Mercury damages the nervous system and is toxic in high doses.

TCO'95 requirement states that batteries may not contain more than 25 ppm (parts per million) of mercury. It also demands that no mercury is present in any of the electrical or electronics components concerned with the display unit, except the back-light system.

### **CFCs (freons)**

CFCs (freons) are sometimes used for washing printed circuit boards and in the manufacturing of expanded foam for packaging. CFCs break down ozone and thereby damage the ozone layer in the stratosphere, causing increased reception on Earth of ultraviolet light with consequent increased risks of skin cancer (malignant melanoma).

The relevant TCO'95 requirement; Neither CFCs nor HCFCs may be used during the manufacturing of the product or its packaging.

\*Bio-accumulative is defined as substances which accumulate within living organisms.

\*\*Lead, Cadmium and Mercury are heavy metals which are Bio-accumulative.

To obtain complete information on the environmental criteria document, order from:

TCO Development Unit  
SE-114 94 Stockholm  
SWEDEN  
FAX Number: +46 8 782 92 07  
E-mail (Internet): [development@tco.se](mailto:development@tco.se)

You may also obtain current information on TCO'95 approved and labelled products by visiting their website at: <http://www.tco-info.com/>

# TCO'99

## MultiSync LCD1550M White Model (LA-15R03)

Congratulations! You have just purchased a TCO'99 approved and labeled product! Your choice has provided you with a product developed for professional use. Your purchase has also contributed to reducing the burden on the environment and also to the further development of environmentally adapted electronics products.



## Why do we have environmentally labelled computers?

In many countries, environmental labelling has become an established method for encouraging the adaptation of goods and services to the environment. The main problem, as far as computers and other electronics equipment are concerned, is that environmentally harmful substances are used both in the products and during the manufacturing. Since it has not been possible for the majority of electronics equipment to be recycled in a satisfactory way, most of these potentially damaging substances sooner or later enter Nature.

There are also other characteristics of a computer, such as energy consumption levels, that are important from the viewpoints of both the work (Internal) and natural (external) environments. Since all methods of conventional electricity generation have a negative effect on the environment (acidic and climate-influencing emissions, radioactive waste, etc.), it is vital to conserve energy. Electronics equipment in offices consume an enormous amount of energy since they are often left running continuously.

## What does labelling involve?

This product meets the requirements for the TCO'99 scheme which provides for international and environmental labelling of personal computers. The labelling scheme was developed as a joint effort by the TCO (The Swedish Confederation of Professional Employees), Svenska Naturskyddsforeningen (The Swedish Society for Nature Conservation) and Statens Energimyndighet (The Swedish National Energy Administration).

The requirements cover a wide range of issues: environment, ergonomics, usability, emission of electrical and magnetic fields, energy consumption and electrical and fire safety.

The environmental demands concern restrictions on the presence and use of heavy metals, brominated and chlorinated flame retardants, CFCs (freons) and chlorinated solvents, among other things. The product must be prepared for recycling and the manufacturer is obliged to have an environmental plan which must be adhered to in each country where the company implements its operational policy. The energy requirements include a demand that the computer and/or display, after a certain period of inactivity, shall reduce its power consumption to a lower level in one or more stages. The length of time to reactivate the computer shall be reasonable for the user.

Labelled products must meet strict environmental demands, for example, in respect of the reduction of electric and magnetic fields, physical and visual ergonomics and good usability.

## Environmental Requirements

### Flame retardants

Flame retardants are present in printed circuit boards, cables, wires, casings and housings. In turn, they delay the spread of fire. Up to thirty percent of the plastic in a computer casing can consist of flame retardant substances. Most flame retardants contain bromine or chloride and these are related to another group of environmental toxins, PCBs, which are suspected to give rise to severe

## TCO'99 –continued

---

health effects, including reproductive damage in fish eating birds and mammals, due to the bio-accumulative\* processes. Flame retardants have been found in human blood and researchers fear that disturbances in foetus development may occur.

TCO'99 demand requires that plastic components weighing more than 25 grams must not contain flame retardants with organically bound chlorine and bromine. Flame retardants are allowed in the printed circuit boards since no substitutes are available.

### **Lead\*\***

Lead can be found in picture tubes, display screens, solders and capacitors. Lead damages the nervous system and in higher doses, causes lead poisoning.

TCO'99 requirement permits the inclusion of lead since no replacement has yet been developed.

### **Cadmium\*\***

Cadmium is present in rechargeable batteries and in the color generating layers of certain computer displays. Cadmium damages the nervous system and is toxic in high doses.

TCO'99 requirement states that batteries, the color generating layers of display screens and the electrical or electronics components must not contain any cadmium.

### **Mercury\*\***

Mercury is sometimes found in batteries, relays and switches, Mercury damages the nervous system and is toxic in high doses.

TCO'99 requirement states that batteries may not contain any Mercury. It also demands that no mercury is present in any of the electrical or electronics components associated with the display unit.

### **CFCs (freons)**

CFCs (freons) are sometimes used for washing printed circuit boards. CFCs break down ozone and thereby damage the ozone layer in the stratosphere, causing increased reception on Earth of ultraviolet light with consequent increased risks of skin cancer (malignant melanoma).

The relevant TCO'99 requirement; Neither CFCs nor HCFCs may be used during the manufacturing and assembly of the product or its packaging.

\*Bio-accumulative is defined as substances which accumulate within living organisms.

\*\*Lead, Cadmium and Mercury are heavy metals which are Bio-accumulative.

To obtain complete information on the environmental criteria document, order from:

TCO Development Unit  
SE-114 94 Stockholm  
SWEDEN  
FAX Number: +46 8 782 92 07  
E-mail (Internet): [development@tco.se](mailto:development@tco.se)

You may also obtain current information on TCO'99 approved and labelled products by visiting their website at: <http://www.tco-info.com/>



### Declaration of the Manufacturer

We hereby certify that the color monitor  
MultiSync® LCD1550M™ (LA-15R03) and  
MultiSync® LCD1550M™ (LA-15R03-BK)  
are in compliance with  
Council Directive 73/23/EEC:  
– EN 60950

Council Directive 89/336/EEC:  
– EN 55022  
– EN 61000-3-2  
– EN 61000-3-3  
– EN 55024

and marked with




NEC-Mitsubishi Electric Visual  
Systems Corporation  
4-13-23, Shibaura,  
Minato-Ku  
Tokyo 108-0023, Japan



Power consumption of the monitor is less  
than 3 W when in power-saving mode.

	<b>AVERTISSEMENT</b>	
<p>AFIN D'ÉVITER TOUT RISQUE D'INCENDIE OU D'ÉLECTROCUTION, NE PAS EXPOSER CET APPAREIL À LA PLUIE OU À L'HUMIDITÉ. NE PAS UTILISER LA FICHE D'ALIMENTATION POLARISÉE AVEC UNE PRISE DE CORDON DE RALLONGE OU AUTRE PRISE SAUF SI LES BROCHES PEUVENT ÊTRE ENTIÈREMENT INTRODUITES. NE PAS OUVRIR LE BOÎTIER, LEQUEL CONTIENT DES COMPOSANTS À HAUTE TENSION. CONFIER TOUS TRAVAUX À DU PERSONNEL TECHNIQUE QUALIFIÉ.</p>		

	<b>ATTENTION</b>	
<b>RISQUE DE DÉCHARGE ÉLECTRIQUE • NE PAS OUVRIR</b>		
<p>ATTENTION : POUR ÉVITER TOUT RISQUE D'ÉLECTROCUTION, NE PAS OUVRIR LE COUVERCLE (L'ARRIÈRE), À L'INTÉRIEUR, AUCUNE PIÈCE NE NÉCESSITE L'INTERVENTION DE L'UTILISATEUR. EN CAS DE PROBLÈME, S'ADRESSER À DU PERSONNEL TECHNIQUE QUALIFIÉ.</p>		
	<p>Ce symbole est une mise en garde contre les risques d'électrocution que présentent certaines parties dépourvues d'isolation à l'intérieur de l'appareil. Il est donc dangereux d'établir le moindre contact avec ces parties.</p>	
	<p>Ce symbole prévient l'utilisateur que des directives d'utilisation et de maintenance de cet appareil sont fournies avec ce guide d'utilisateur. Par conséquent, celles-ci doivent être lues attentivement pour éviter tout incident.</p>	

### Déclaration de conformité – Département des Communications du Canada

DOC : Cet appareil numérique de classe B respecte toutes les exigences du Règlement sur le matériel à l'origine d'interférences du Canada.

C-UL : Ce produit porte la marque «C-UL» et est conforme aux règlements de sécurité canadiens selon CAN/CSA C22.2 No. 950.

### Informations FCC

1. Utiliser les câbles spécifiés fournis avec les moniteur couleur MultiSync LCD1550M (LA-15R03 et LA-15R03-BK) afin de ne pas provoquer d'interférences avec la réception radio et télévision.
  - (1) Prière d'utiliser le câble d'alimentation fourni ou équivalent pour assurer la conformité FCC.
  - (2) Veuillez utiliser le câble de signal vidéo blindé fourni.
  - (3) Prière d'utiliser le câble d'USB fourni.
  - (4) Prière d'utiliser le câble d'audio.L'utilisation d'autres câbles et adaptateurs peut provoquer des interférences avec la réception radio et télévision.

2. Cet appareil a été testé et s'avère conforme avec les spécifications d'équipements de Classe B, section 15 de la réglementation FCC. Ces spécifications ont été établies pour garantir une protection raisonnable contre les interférences nuisibles dans une installation résidentielle. Cet appareil génère, utilise et peut émettre des fréquences radio et, s'il n'est pas installé et utilisé selon les directives de ce guide, il peut perturber les communications radio. Cependant, il n'est pas garanti qu'aucune interférence ne se produira dans une installation donnée.

Si cet appareil provoque des interférences nuisibles à la réception radio ou télévision, ce que vous pouvez déterminer en allumant et en éteignant l'appareil, essayez de remédier au problème en prenant une ou plusieurs des mesures suivantes :

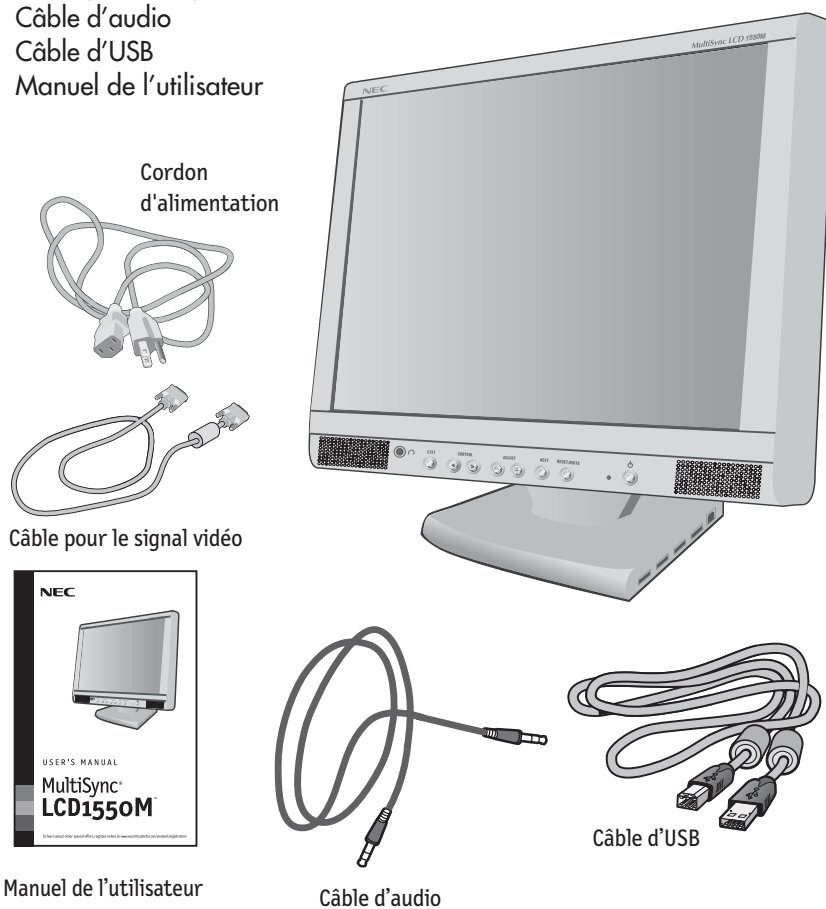
- Réorienter ou repositionner l'antenne de réception.
- Augmenter la distance entre l'appareil et le récepteur.
- Connecter l'appareil à une prise de courant sur un circuit différent de celui sur lequel le récepteur est connecté.
- Consulter son revendeur ou un technicien radio/TV pour obtenir de l'aide.

Si nécessaire, l'utilisateur doit contacter le revendeur ou un technicien radio/TV afin d'obtenir des informations supplémentaires. L'utilisateur peut se procurer le livret utile suivant, préparé par la Federal Communications Commission : «How to Identify and Resolve Radio-TV Interference Problems» (Comment cerner et résoudre les problèmes d'interférences radio/TV). Ce livret est disponible auprès du U.S. Government Printing Office, Washington, D.C., 20402, Stock No. 004-000-00345-4.

# Contenu

La boîte\* de votre nouveau moniteur NEC MultiSync® contient :

- Moniteur MultiSync LCD1550M<sup>MC</sup> avec socle inclinable
- Cordon d'alimentation
- Câble pour le signal vidéo
- Câble d'audio
- Câble d'USB
- Manuel de l'utilisateur



\* Ne pas oublier de conserver la boîte et le matériel d'emballage d'origine pour transporter ou expédier le moniteur.

# Mise en marche rapide

Pour raccorder le moniteur MultiSync® LCD au système, suivez les directives ciaprès:

1. Mettez l'ordinateur hors tension.
2. Retirez le cache-connecteurs au dos du moniteur. Branchez le câble d'audio aux "dans ligne" à l'arrière du moniteur et l'autre extrémité à la prise de sortie audio fichesur l'ordinateur. Branchez le câble d'audio sous l'attache B (Figure A.1).
3. PC : Branchez le mini-connecteur D-SUB à 15 broches du câble vidéo approprié dans le connecteur de la carte vidéo de votre ordinateur (Figure B.1). Serrez toutes les vis.  
Macintosh : Branchez l'adaptateur de câble Macintosh pour MultiSync LCD1550M<sup>MC</sup> dans l'ordinateur (Figure C.1). Branchez le du câble vidéo dans l'adaptateur de câble Macintosh pour MultiSync LCD1550M (Figure C.1). Serrez toutes les vis.

**NOTA : Pour obtenir un adaptateur de câble Macintosh pour le MultiSync LCD1550M appelez NEC-Mitsubishi Electronics Display of America, Inc. au (800) 820-1230.**

4. Branchez le mini-connecteur D-SUB à 15 broches de câble vidéo aux connecteurs appropriés à l'arrière du moniteur. Branchez le câble vidéo sous l'attache B (Figure D.1).
5. Connectez une écouteur à "écouteur" fiche à devant le moniteur biseau marqué "G" (Figure E.1). Lorsque la fiche du casque d'écoute est insérée dans la prise du casque d'écoute, les haut-parleurs sont débranchés automatiquement et le son se fait entendre à travers les écouteurs. Vous pouvez vous procurer une écouteur chez votre magasin d'électronique local.
6. Branchez le connecteur USB de série B du câble USB en amont sur le port USB à le côté droit du moniteur et le connecteur USB de série A du câble USB en aval sur le port USB de l'ordinateur (Figure F.1). Si vous utilisez le corde USB de l'expédient usage un d'en amont sur le port le moniteur de la côte (Figure G.1).
7. Connectez une extrémité du câble d'alimentation sur l'adaptateur CA et l'autre extrémité sur la prise de secteur. Faites glisser le câble à signal vidéo et le câble d'alimentation électrique ca dans les fixations (Figure D.1). Remplace connecteur étui et étui câble.

**NOTA : Disposez les câbles dans les fixations de telle sorte à éviter toute détérioration des câbles proprement dits ou du moniteur.**  
**NOTA : Si vous utilisez ce moniteur à AC220-240V, s'il vous plaît faites référence à section de l'Usage Recommandée de ce manuel pour sélection adéquate d'AC pouvoir cordon.**

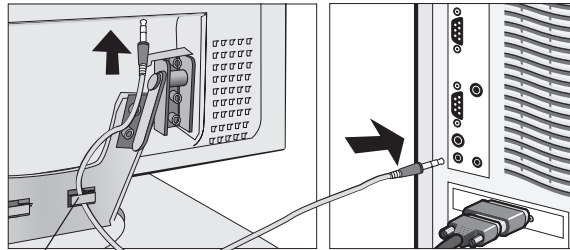
8. L'Interrupteur de Vacances sur le côté gauche de l'écran doit être allumai (Figure H.1). Allume l'écran de Silhouette de bouton et l'ordinateur.  
**NOTA : L'interrupteur de désactivation permanente est un vrai interrupteur marche/arrêt. Lorsque cet interrupteur est en position OFF (arrêt), le moniteur ne peut pas être allumé en utilisant la touche avant. NE PAS commuter entre les positions marche/arrêt à répétitions.**
9. Auto aucune de tact ajuste automatiquement ajuste l'écran à réglages optimaux (la résolution native seulement) sur setup initial pour les les plus nombreux minutages. Pour les réajustements plus further, following OSM<sup>MC</sup> utilise des réglages :
  - Contraste automatique
  - Réglage automatique

Pour une description complète de ces commandes OSM, consultez la section Commandes de ce manuel.

**NOTA:** des informations sur le télé chargement du fichier INF Windows® 95/98/2000 pour le moniteur MultiSync LCD1550M, consultez la section **Références** de ce manuel.

**NOTA:** case de probl è me, consultez la section **Dépannage** de ce manuel.

## Mise en marche rapide (suite)



L'attache B

Figure A.1

Remarque : Certains systèmes Macintosh ne nécessitent pas un adaptateur de câble Macintosh.



Figure B.1

Adaptateur Macintosh (non fourni)

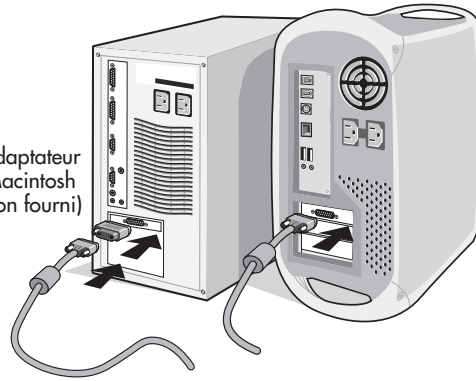


Figure C.1

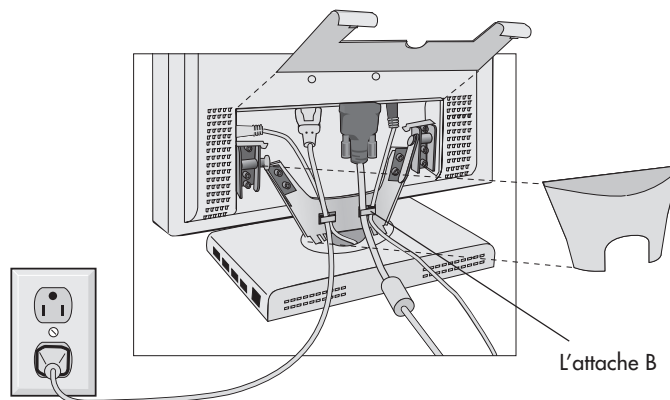


Figure D.1

## Mise en marche rapide (suite)

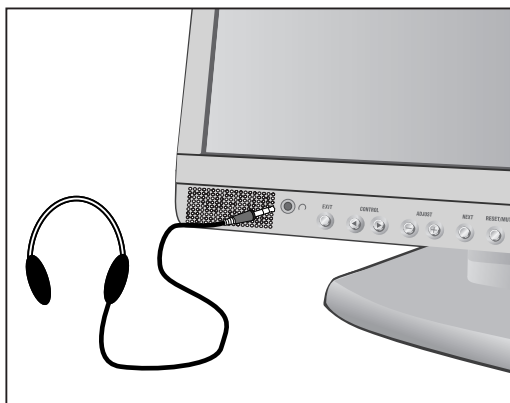


Figure E.1

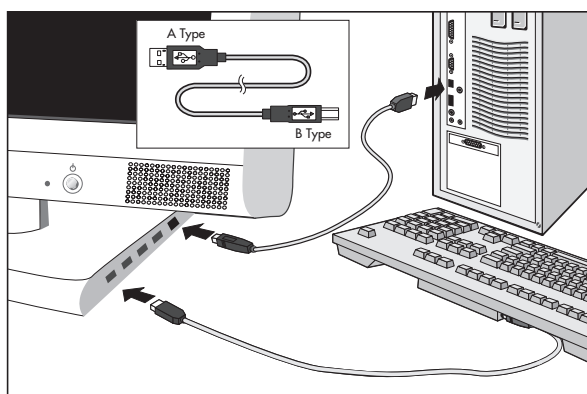


Figure F.1/G.1

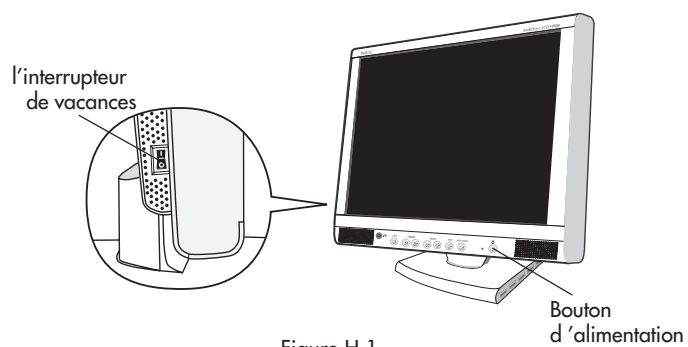
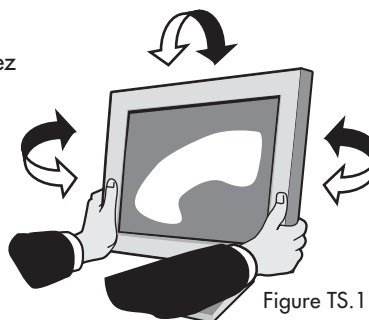


Figure H.1

## Mise en marche rapide (suite)

### Incliner et pivoter

Placez les mains de chaque côté du moniteur et réglez l'inclinaison et la position souhaitées (Figure TS.1).



### Enlever le support du moniteur pour le montage

Pour préparer le moniteur à différents types de montage :

1. Retirez le couvercle arrière et le couvercle du câble (Figure R.1).
2. Déconnectez tous les câbles.
3. Placez le moniteur la face vers le bas sur une surface non abrasive (Figure R.2).
4. Retirez les 4 vis connectant le moniteur au socle et soulevez le socle pour l'ôter (Figure R.2). Vous pouvez à présent modifier le montage du moniteur.
5. Connectez les AC attachent avec une corde, câble du signal et câble Sonore au dos du moniteur (Figure R.3).
6. Inversez la marche à suivre pour réinstaller le support.

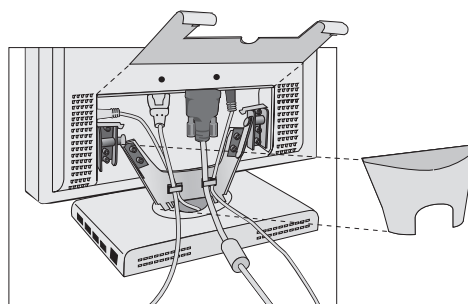


Figure R.1

**NOTA : Utilisez uniquement une méthode de montage compatible VESA.**

**NOTA : Quand l'écran se place est enlevé, les capacités de USB seront désactivées.**

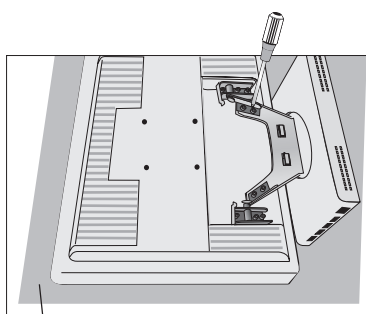


Figure R.2

Non-abrasive surface

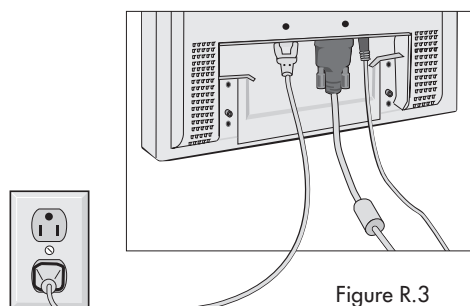


Figure R.3

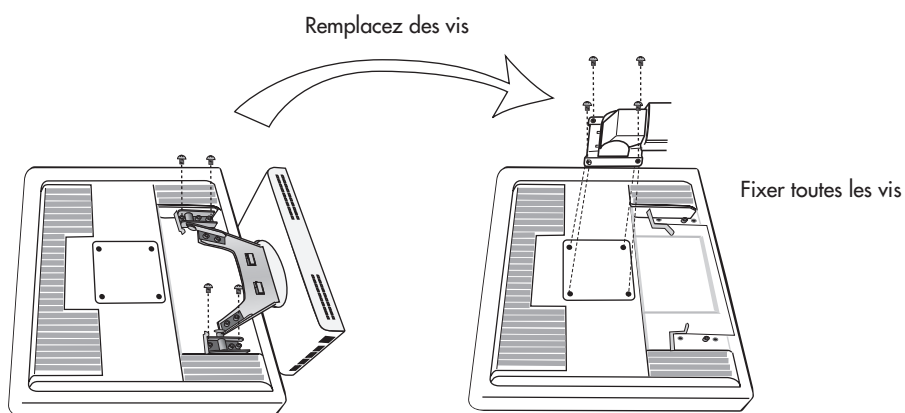
## Mise en marche rapide *(suite)*

7. Ce moniteur LCD a été conçu pour être utilisé avec un bras flexible.

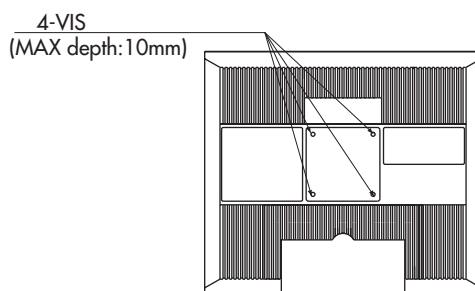
Utiliser les vis fournies (4 pièces) lors de l'installation comme indiqué sur la figure.

Le moniteur doit être installé sur un bras garantissant la stabilité nécessaire correspondant au poids du moniteur.

Ce moniteur LCD ne peut être utilisé qu'avec un bras homologué (par ex. marque GS).



### Spécifications



Poids de LCD Assemblée:  
3,5kg (MAX)



# Commandes

## Les boutons de réglage OSM<sup>MC</sup> situés sur l'avant du moniteur fournissent les fonctions suivantes :

Pour accéder au menu OSM, appuyez sur une des touches de commande ( <, >, -, +, NEXT ).

	Menu principal
<b>EXIT</b>	Quitte les commandes OSM. Retour au menu principal OSM.
<b>CONTROL</b> ◀ / ▶	Déplace la zone en surbrillance vers la gauche/droite pour sélectionner une des commande. Déplace la zone en surbrillance vers le haut ou vers le bas pour choisir l'une des commandes.
<b>ADJUST</b> - / +	Déplace la curseur vers la gauche/la droite pour augmenter la valeur du réglage. Active la fonction de réglage automatique. Entre le Menu du Sous.
<b>NEXT</b>	Déplace correctement pour sélectionner la souligné région de menu principal one of les réglages. Verrouille réglage automatique fonction. En mode Outils et d'Information, ouvre, supplémentaire le window.
<b>RESET / MUTE</b>	Rappel des paramètres usines de la commande en surbrillance. Quand menu aucun de OSM est disparu, le locuteur sonne être muted.

NOTA : En appuyant sur le bouton **RESET** dans un menu ou dans un sous-menu, une fenêtre s'affiche vous permettant d'annuler la fonction **RESET** en appuyant sur le bouton EXIT.

### **Son**

#### **Volume**

Contrôle le volume sain de locuteurs et headphone.

### **Commandes de luminosité/contraste**

#### **LUMINOSITÉ**

Règle la luminosité de l'image générale et de l'écran d'arrière-plan.

#### **CONTRASTE**

Règle la luminosité de l'image par rapport à l'arrière-plan.

#### **AUTO AUTO**

Règle l'image affichée pour les modes vidéo non standard.

### **AUTO Réglage automatique**

Règle automatiquement la position, le format horizontal ou la résolution fine.

### **Commandes de image**

#### **GAUCHE/DROITET**

Contrôle la position horizontale de l'image dans la zone d'affichage du LCD.

#### **BAS/HAUT**

Contrôle la position verticale de l'image dans la zone d'affichage du LCD.

#### **SIMPLE**

Corrige automatiquement la position horizontale et verticale dans la zone d'affichage du LCD.

#### **FIN**

Améliore la mise au point, la netteté et la stabilité de l'image en augmentant ou en diminuant la valeur Fin.

## Commandes (suite)



### Systeme de contrôle des couleurs AccuColor®

Six couleurs préréglées sélectionnent la couleur désirée (sRGB et INDIGÈNE couleur préréglée standard et ne peut être transformée). De la température Color augmente préréglée ou chacune diminue.

**R,Y,G,C,B,M,S:** Augmentations ou diminutions Rouge, Jaune, Vert, Cyan, Bleu, Magenta et Saturation dépendant sur qui est sélectionné. Le changement dans couleur apparaîtra sur écran et la direction (augmentation ou diminue) être transparent par la couleur des barres. **Native:** Couleur originale présentée par le LCD panel qui est unajustable.

**sRGB:** Améliore dramatiquement la fidélité color dans l'environnement desktop qu'un RGB by seul standard color de l'espace. Sur cette couleur soutien de l'environnement, l'exploitant pourriez facilement et confidently communiquer color sans autrement color la gérance aérien in the most common des situations.



### Outils



**LANGAGE :** Les menus de l'OSM sont disponibles en sept langues.



**POSITION DE L'OSM :** Vous pouvez choisir l'emplacement ou vous souhaitez que la fenêtre des commandes OSM apparaisse sur l'écran. En choisissant Position OSM, vous pouvez régler manuellement la position du menu de commande OSM : droite, bas ou haut.



**EXTINCTION DE L'OSM :** Le menu de l'OSM restera actif aussi longtemps que vous l'utiliserez. Dans le menu d'extinction de l'OSM, vous pouvez choisir le temps que mettra l'affichage pour s'effacer après la dernière pression sur une touche. Les temps préréglés sont de 10, 20, 30, 45, 60 et de 120 secondes.



**VERROUILLAGE OSM :** Cette fonction vous permet de verrouiller l'accès aux fonctions de l'OSM sous les commandes de contraste et de luminosité. En essayant d'accéder au menu lorsqu'il est verrouillé, une fenêtre s'ouvrira à l'écran et vous indiquera que les réglages ne sont pas accessibles. Pour verrouiller, appuyer sur les touches ◀ et ▶ simultanément. Pour déverrouiller, appuyer sur les touches ◀ et ▶ simultanément.



**ERREUR RESOLUTION :** La résolution optimale est 1024 x 768. Lorsque ON est sélectionné pour cette fonction, le message Notification de résolution apparaît de 30 secondes après la non reconnaissance du signal d'entrée en tant que signal 1024 x 768.



**PRÉRÉGLAGE USINE :** Cette fonction vous permet de remettre tous les paramètres de l'OSM<sup>MC</sup> à leur état d'origine. Une fenêtre d'alerte vous demandera de confirmer si vous désirez rappeler tous les réglages usine. Les réglages individuels peuvent être réinitialisés en mettant en surbrillance la commande à réinitialiser, puis en appuyant sur le bouton RESET.

## Commandes (suite)



### Information

**MODE** **MODE D’AFFICHAGE** : Indique le courant de l’affichage résolution et fréquence mettant de l’écran.



**INFORMATION ÉCRAN** : Le numéro du modèle et le numéro de série y sont indiqués.

**Avertissement OSM<sup>MC</sup>**: OSM prémunissant menu disparaît sur Exit bouton.

**PAS DE SIGNAL** : Cette fonction vous avertit de l’absence de signal. Après la mise sous tension ou si le signal d’entrée a été changé ou si la vidéo est inactive, la fenêtre **PAS DE SIGNAL** s’affiche.

**ERREUR RESOLUTION** : Cette fonction vous met en garde contre l’utilisation de la résolution optimale. Après la mise sous tension ou si le signal d’entrée a été changé ou si le signal vidéo ne présente pas la résolution appropriée, la fenêtre Resolution Notifier window s’ouvre. Cette fonction peut être désactivée dans le menu TOOL.

**HORS LIMITE** : Cette fonction recommande la résolution et la fréquence de rafraîchissement optimales. Après la mise sous tension ou si le signal d’entrée a été changé ou si le signal vidéo ne présente pas la synchronisation appropriée, le menu **Hors Limite** s’affiche.

**CONTROLER LE CABLE** : Cette fonction vous demande de vérifier toutes les entrées vidéo sur le moniteur et l’ordinateur pour s’assurer quelles sont bien branchées.

# Usage recommandé

## Consignes de sécurité et d'entretien




POUR UN FONCTIONNEMENT OPTIMAL, PRIÈRE DE NOTER CE QUI SUIT POUR LE RÉGLAGE ET L'UTILISATION DU MONITEUR COULEUR MULTISYNC® LCD :



- **NE PAS OUVRIR LE MONITEUR.** Aucune pièce intérieure ne nécessite l'intervention de l'utilisateur, et l'ouverture ou la dépose des couvercles peut entraîner des risques de décharges électriques dangereuses ou d'autres risques. Confier tous travaux à du personnel technique qualifié.
- Ne pas renverser de liquides dans le boîtier, ni utiliser le moniteur près de l'eau.
- Ne pas introduire d'objets de quelque nature que ce soit dans les fentes du boîtier car ceux-ci pourraient toucher des endroits sous tension dangereuse, ce qui peut provoquer des blessures, voire être fatal, ou peut occasionner une décharge électrique, un incendie ou une panne de l'appareil.
- Ne pas placer d'objets lourds sur le cordon d'alimentation. Un cordon endommagé peut occasionner une décharge électrique ou un incendie.
- Ne pas placer cet appareil sur un chariot, un support ou une table inclinée ou instable, afin d'éviter que le moniteur ne tombe, occasionnant de sérieux dommages au moniteur.
- Pour l'utilisation du moniteur MultiSync LCD avec l'alimentation CA mondiale de 220-240 V, utiliser un cordon d'alimentation qui correspond à la tension de l'alimentation fournie à la prise de courant CA. Le cordon d'alimentation utilisé doit être agréé et en conformité avec les normes de sécurité de son pays. (Type H05VV-F à utiliser sauf au Europe.)
- Au R, -U., utilisez avec ce moniteur un cordon d'alimentation approuvé BS avec fiche moulée d'un fusible noir (5A). Si un cordon d'alimentation n'a pas été fourni avec ce moniteur, veuillez contacter votre fournisseur.
- Ne pas placer aucun objet sur le moniteur et ne pas l'utiliser en extérieur.
- L'intérieur du tube fluorescent situé dans le moniteur contient du mercure. Pour l'élimination appropriée, observez les règlements en vigueur dans votre région.

Débrancher immédiatement le moniteur de la prise murale et confier la réparation à du personnel technique qualifié dans les cas suivants :

- Lorsque le cordon d'alimentation ou la fiche est endommagé(e).
  - Si du liquide a été renversé ou des objets sont tombés à l'intérieur du moniteur.
  - Si le moniteur a été exposé à la pluie ou à de l'eau.
  - Si le moniteur est tombé ou le boîtier est endommagé.
  - Si le moniteur ne fonctionne pas normalement en suivant les directives d'utilisation.
  - Ne courbe pas le pouvoir du cordon.
  - N'utilise pas votre écran dans de hautes températures humides poussiéreuses près d'huile ou.
  - Ne couvre pas l'armoire fente ou usage rayonnai mauvaise chaleur.
  - Regal toujours glass sur soin.
  - Si écran ou verre est rodé, ne supporter pas ne venir pas touche le liquide crystal et manche sur soin.
-  **AVERTISSEMENT**
- Prévoir une aération suffisante autour du moniteur pour que la chaleur puisse se dissiper correctement. Ne pas obstruer les ouvertures de ventilation ni placer le moniteur près d'un radiateur ou autre source de chaleur. Ne rien poser sur le moniteur.
  - La fiche du cordon d'alimentation est le moyen principal de débrancher le système de l'alimentation. Le moniteur doit être installé à proximité d'une prise de courant facilement accessible.
  - Manipuler avec soin lors du transport. Conserver l'emballage pour le transport.

## Usage recommandé (suite)

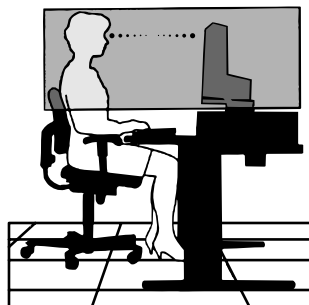


LA MODIFICATION DE LA POSITION ET DU RÉGLAGE DU MONITEUR PEUT RÉDUIRE LA FATIGUE DES YEUX, DES ÉPAULES ET DE LA NUQUE. OBSERVER LES DIRECTIVES CI-APRÈS LORS DU POSITIONNEMENT



DU MONITEUR :

- Pour une performance optimale, laissez le moniteur se réchauffer pendant 20 minutes.
- Régler la hauteur du moniteur de sorte que le dessus de l'écran soit au niveau ou légèrement en-dessous du niveau des yeux. Les yeux doivent regarder légèrement vers le bas lorsque l'on regarde le milieu de l'écran.
- Positionner le moniteur à une distance minimale de 40 cm (16 po) et maximale de 70 cm (28 po) des yeux. La distance optimale est de 53 cm (21 po).
- Reposer ses yeux régulièrement en regardant vers un objet situé à au moins 6 m (20 pieds). Cligner régulièrement.
- Positionner le moniteur à un angle de 90° par rapport aux fenêtres et autres sources de lumière, afin de réduire au maximum les reflets et l'éblouissement. Régler l'inclinaison du moniteur de sorte que l'éclairage du plafond ne soit pas reflété sur l'écran.
- Si une lumière réfléchi rend la vision de l'écran difficile, utiliser un filtre anti-reflet.
- Nettoyer régulièrement le moniteur. Utiliser un chiffon sans peluches et non abrasif et une solution de nettoyage sans alcool, neutre, non abrasive ou un produit nettoyant pour vitres pour éliminer au maximum la poussière.
- Régler les commandes de luminosité et de contraste du moniteur pour améliorer la lisibilité.
- Utiliser un support de document placé près de l'écran.
- Positionner ce que l'on regarde le plus souvent (l'écran ou les documents de référence) directement devant soi pour réduire au maximum les mouvements de la tête lorsque l'on dactylographie.
- Pour éviter la persistance d'images (images rémanentes), n'affichez pas des motifs fixes sur le moniteur pendant de longues périodes.
- Consulter régulièrement un ophtalmologiste.



### Ergonomie

Pour optimiser les avantages ergonomiques, observez les directives suivantes :

- Régler la luminosité jusqu'à ce que la trame de fond disparaisse.
- Ne pas placer la commande de contraste à son réglage maximum.
- Utiliser les commandes de format et position préprogrammées avec signaux standard .
- Utiliser le réglage couleur et les commandes gauche/droite préprogrammés.
- Utiliser des signaux non entrelacés avec fréquence de rafraîchissement vertical de 60 à 75 Hz.
- Ne pas utiliser la couleur bleu primaire sur fond foncé car cela rend la lecture difficile et peut occasionner de la fatigue oculaire en raison de contraste insuffisant.

Pour des informations plus détaillées sur l'établissement d'un environnement de travail sain, appeler NEC-Mitsubishi Electronics Display of America au (800) 820-1230, demander le service d'information par télécopieur NEC FastFacts au (800) 366-0476 et demander le document n° 900108 ou écrire à American National Standard for Human Factors Engineering of Visual Display Terminal Workstations - ANSI-HFS Standard No. 100-1988 - The Human Factors Society, Inc. P.O. Box 1369, Santa Monica, California 90406.

# Fiche technique

Caractér. techn. du moniteur	Moniteur MultiSync® LCD1550M <sup>MC</sup>	Remarques
Module LCD	Diagonale : 15,0 po Surface utile : 15,0 po Résolution (nombre de pixels) : 1024 x 768	Matrice active; transistor à film fin (TFT); affichage à cristaux liquides (LCD); pas 0,30 mm; technologie XtraView <sup>MC</sup> ; luminance blanche 300cd/m <sup>2</sup> ; taux de contraste caractéristique 450:1.
Signal d'entrée	Vidéo : ANALOGIQUE 0,7 V <sub>p-p</sub> /75 Ohms Sync : Synchro séparée niveau TTL Positif/négatif sync. horizontale Positif/négatif sync. verticale	
Couleurs d'affichage	Entrée analogique : 16,777,216	Dépend de la carte vidéo et synchronisation utilisée.
Gamme de synchronisation	Horizontale : 31.5 kHz à 60 kHz Verticale : 56.2 Hz à 75.1 Hz	Automatique Automatique
Résolutions acceptées	720 x 400*1 :texte VGA 640 x 480*1 @ 60 Hz à 75 Hz 800 x 600*1 @ 56 Hz à 75 Hz 832 x 624*1 @ 75 Hz 1 024 x 768 @ 60 Hz à 75 Hz .....	NEC-Mitsubishi Electronics Display recommande une résolution à 75 Hz pour des performances d'affichage optimales et couleurs.
Zone d'affichage active	Horizontale : 304 mm/12,0 pouces Verticale : 228mm/9,0 pouces	
USB Hub	I/F : Revision 1,1 le fiche technique d'USB Port : En amont 1 En aval 4 Courant de chargement : Maximum 0,5A par port	
Haut-parleurs	Sortie audio réelle : 1.0W + 1.0W	
Alimentation	CA 100 – 120 V/220 – 240 V, 50-60 Hz	
Tension d'alimentation	0,75 A @ 100-120 V/0,45 A @ 220-240 V	
Dimensions	Paysage : 345 mm (L) x 363 mm (H) x 162 mm (P) 13,6 pouces (L) x 14,3 pouces (H) x 6,4 pouces (P)	
Poids	4,9 kg 10,8 livres	
Considérations environnementales	Température de fonctionnement : 5 °C à +35 °C/41 °F à 95 °F Humidité : 30 % à 80 % Altitude : 0 à 10 000 pieds Température de stockage : -10 °C à +60 °C/14 °F à 140 °F Humidité : 10 % à 85 % Altitude : 0 à 31500 pieds	

\*1 Résolutions interpolées : Quand les résolutions affichées sont inférieures au nombre de pixels du module LCD, le texte peut apparaître craquelé et les lignes plus épaisses. Ceci est normal et nécessaire pour toutes les technologies d'affichage sur panneaux plats pour lesquels chaque point de l'écran occupe réellement un pixel. Pour agrandir la résolution à celle du plein écran, une interpolation mathématique de celle-ci est nécessaire. Quand cette résolution interpolée ne correspond pas exactement à un multiple entier de la résolution d'origine, la nécessaire interpolation mathématique peut faire que certaines lignes apparaissent plus épaisses que d'autres.

NOTA : Les spécifications techniques sont susceptibles d'être modifiées sans préavis.

# Fonctions

**Encombrement réduit :** Constitue la solution idéale pour les environnements qui nécessitent une image de haute qualité et un encombrement et un poids limités. L'encombrement réduit et le faible poids du moniteur permettent de le déplacer ou de le transporter rapidement d'un point à un autre.

**Système de commande AccuColor® :** Six que couleur prérégle sélectionner que couleur color mettant le désiré (sRGB et NATIF prérégle sommes standards et cannot être transformé). De la température Color augmente préréglé ou chacun diminue. R,Y,G,C,B,M,S : ou diminutions Rouge, Jaune, Vert, Cyan, Blue, Magenta et Saturation dépendant sur quels est sélectionné. Le changement dans couleur apparaîtra sur écran et la direction (augmentation ou diminue) être transparu par la couleur des bars. NATIVE: Originale couleur présenta par le LCD panel qu'est unadjustable.

**sRGB Colore l'un nouveau Contrôler :** optimisé couleur la gérance standard qui tient montant de couleur assortissant sur affichages informatiques et autre peripherals. Le sRGB, qui est basa sur étalonné color de l'espace, tient montant d'optimal color de la représentation et rétrograde la compatibilité sur autrement common color des standards.

**Commandes OSM<sup>MC</sup> Display Screen (Gestionnaire à l'écran) :** Permet de régler facilement et rapidement tous les éléments de l'image de l'écran via les menus à l'écran simples à utiliser.

**Auto aucune de tact n'Ajuste :** pas qu'auto de tact ajuste automatiquement ajuste l'écran à réglages optimaux sur setup initial.

**Fonctions ErgoDesign® :** Améliore l'ergonomie humaine pour améliorer l'environnement de travail, protéger la santé de l'utilisateur et épargner de l'argent. On peut citer comme exemple les commandes OSM pour un réglage rapide et facile de l'image, un socle inclinable pour un meilleur confort de visualisation et la conformité aux directives MPRII et TCO concernant les réductions d'émissions.

**Plug and Play :** La solution Microsoft® avec le système d'exploitation Windows®95/98/2000 facilite la configuration et l'installation en permettant au moniteur d'envoyer ses capacités (telles que le format et les résolutions d'écran acceptés) directement à l'ordinateur, optimisant ainsi automatiquement les performances d'affichage.

**Système IPM<sup>MC</sup> (Intelligent Power Manager/Gestionnaire d'énergie intelligent) :** Procure des méthodes d'économie d'énergie novatrices qui permettent au moniteur de passer à un niveau de consommation d'énergie plus faible lorsqu'il est allumé mais non utilisé, épargnant deux tiers des coûts énergétiques, réduisant les émissions et diminuant les coûts de conditionnement d'air du lieu de travail.

**Technologie à fréquence multiple :** Règle automatiquement le moniteur à la fréquence de la carte vidéo, affichant ainsi la résolution requise.

**Capacité FullScan<sup>MC</sup> (balayage complet) :** Permet d'utiliser la totalité de la surface d'écran dans la plupart des résolutions, augmentant ainsi de façon significative la taille de l'image.

**Standard VESA de montage d'interface :** Permet à l'utilisateur de raccorder son moniteur MultiSync à n'importe quel autre bras au baie de montage conforme VESA. Permet de monter le moniteur sur un mur ou un bras à l'aide de n'importe quel autre dispositif compatible.

OSM Display Screen Copyright 2001 par NEC-Mitsubishi Electronics Display of America, Inc.

# Dépannage

---

## Pas d'image

- Le câble vidéo doit être bien connecté à la carte d'affichage et à l'ordinateur.
- La carte d'affichage doit être insérée à fond dans son logement.
- Vérifiez que l'interrupteur de vacances soit sur la position MARCHÉ.
- Les interrupteurs d'alimentation du moniteur à l'avant et de l'ordinateur doivent être sur la position MARCHÉ.
- Vérifiez qu'un mode d'affichage autorisé a été sélectionné pour la carte d'affichage ou le système utilisé (veuillez consulter le manuel de votre carte d'affichage ou de votre système pour modifier le mode graphique).
- Vérifier la compatibilité et les paramètres recommandés de votre moniteur et de votre carte d'affichage.
- Vérifiez que le connecteur du câble vidéo ne comporte aucune broche tordue ou rentrée.

## L'interrupteur d'alimentation ne fonctionne pas

- Déconnectez le cordon d'alimentation de la prise secteur pour mettre le moniteur sous puis hors tension.
- Le pouvoir de chèque bouton sur le côté gauche de l'écran.

## Persistance de l'image

- La persistance de l'image se produit lorsque «le fantôme» d'une image reste sur l'écran même après la mise hors tension du moniteur. À la différence de la persistance d'image sur les moniteurs TRC, celle observée sur les moniteurs LCD n'est pas permanente. Pour remédier à la persistance de l'image, mettre le moniteur hors tension pendant une durée égale à celle de l'affichage de l'image. Si une image est restée affichée sur l'écran pendant une heure et qu'il y a «fantôme» de cette image, il faut mettre le moniteur hors tension pendant une heure pour effacer l'image.

**NOTA : Tout comme dans le cas des écrans personnels, NEC-Mitsubishi Electronics Display recommande l'utilisation d'un économiseur d'énergie à intervalles réguliers lorsque l'écran n'est pas utilisé.**

## L'image défile ou est instable

- Le câble vidéo doit être bien connecté à la carte d'affichage et à l'ordinateur.
- Utilisez les boutons de Réglage image OSM<sup>MC</sup> pour mettre au point et régler l'affichage en augmentant ou en diminuant la valeur Fin. Lorsque l'affichage est réglé, le Réglage image OSM peut nécessiter un réajustement.
- Vérifier la compatibilité et les réglages recommandés de votre moniteur et de votre carte d'affichage.
- Si votre texte n'est pas net, con Figurez le mode vidéo en non entrelacé à 60Hz.

## La LED sur le moniteur n'est pas allumée (*aucune couleur, verte, orange ou jaune, n'est visible*)

- L'interrupteur d'alimentation doit être en position MARCHÉ et le cordon d'alimentation doit être connecté.
- Assurez-vous que l'ordinateur n'est pas réglé dans le mode d'économie d'énergie (touchez le clavier ou la souris).

## L'image n'a pas la bonne taille

- Utilisez les boutons de Réglage image OSM pour augmenter ou diminuer le format horizontal.
- Vérifiez qu'un mode d'affichage supporté a été sélectionné pour la carte d'affichage ou le système utilisé (veuillez consulter le manuel de votre carte d'affichage ou de votre système pour modifier le mode graphique).



## Dépannage *(suite)*

---

### **La résolution choisie ne s'affiche pas correctement**

- Sélectionnez le mode d'affichage OSM pour entrer dans le menu Information OSM et confirmez que la bonne résolution a bien été sélectionnée. Sinon, choisi.

### **Pas de son**

- Vérifiez si le câble des haut-parleurs est bien branché.
- Vérifiez si "sourdine" est activé.
- Vérifiez si le volume dans OSM est réglé au minimum.

### **USB Hub ne fonctionne pas**

- Vérifiez qu'un de câble USB est correctement relié. Référez-vous au manuel de l'utilisateur d'USB Hub dispositif.

# Références

• **BBS** **(978) 742-8706**

Le système de babillard électronique NEC-Mitsubishi Electronics Display of America, Inc. est un service électronique accessible avec votre système et un modem. Les paramètres de communication sont : 300/1200/2400/9600/1,4 k/28,8 k/33,6 k bps, pas de parité, 8 bits de données, 1 bit d'arrêt

• **Service à la clientèle/  
Assistance technique** **(800) 632-4662**  
**Télécopieur** **(978) 742-7049**

• **Canaux électroniques :**

Courrier électronique

Internet (e-mail) : [tech-support@necmitsubishi.com](mailto:tech-support@necmitsubishi.com)

Site internet ftp : <ftp.necmitsubishi.com>

World Wide Web : <http://www.necmitsubishi.com>

Produit enregistré: <http://www.necmitsubishi.com/productregistration>

Opérations Européennes: <http://www.nec-monitors.com>

Fichier INF Windows® 95/98/2000: <http://support.necmitsubishi.com/software.htm>  
Ensuite, télécharger le fichier NECMSINF.ZIP

• **Informations FastFacts<sup>MC</sup>** **(800) 366-0476**

INFORMATION	DESCRIPTION	N° DOCUMENT
Glossaire	Définition des termes en relation avec les fonctions, les caractéristiques et l'installation du moniteur MultiSync®	900203
Informations complémentaires	Noms et adresses d'autres groupes impliqués dans les normes et les fonctions du moniteur MultiSync	900204
Connexion Macintosh	Informations détaillées sur le raccordement du moniteur MultiSync à un Macintosh	153006
Environnement de travail sain	Informations détaillées sur l'établissement d'un environnement de travail sain	900108

• **Info docum. & vente** **(800) NEC-INFO [(800) 632-4636]**

• **Commande de produits MultiSync** **(800) 820-1230**  
[Pour logiciels et accessoires]

• **Téléventes** **(800) 284-4484**

## Garantie limitée

NEC-Mitsubishi Electronics Display of America, Inc. (ci-après «NMD-A») garantit que ce produit est exempt de vice de fabrication et de main-d'oeuvre et, selon les conditions énoncées ci-dessous, accepte de réparer ou remplacer, à sa discrétion, toute pièce de l'appareil concerné qui s'avérerait défectueuse et ce, pendant une période de trois (3) ans à partir de la date d'achat initial. Les pièces de rechange sont garanties pendant quatre-vingt dix (90) jours. Les pièces de rechange ou unités peuvent être neuves ou reconditionnées et seront conformes aux spécifications des pièces et des unités d'origine. Cette garantie vous accorde des droits légaux spécifiques auxquels peuvent s'ajouter d'autres droits pouvant varier d'une juridiction à l'autre. Cette garantie est limitée à l'acheteur d'origine du produit et n'est pas transférable. Cette garantie couvre uniquement les composants fournis par NMD-A. Une réparation requise à la suite de l'utilisation des pièces provenant d'un tiers n'est pas couverte par cette garantie. Pour être couvert par cette garantie, le produit doit avoir été acheté aux États-Unis ou au Canada par l'acheteur d'origine. Cette garantie couvre uniquement la distribution du produit aux États-Unis ou au Canada par NMD-A. Aucune garantie n'est offerte à l'extérieur des États-Unis et du Canada. La preuve d'achat sera exigée par NMD-A pour prouver la date d'achat. Une telle preuve d'achat doit être une facture de vente d'origine ou un reçu reprenant le nom et l'adresse du vendeur, de l'acheteur et le numéro de série du produit.

Pour obtenir un service au titre de la garantie, vous devez expédier le produit en port prépayé ou le déposer chez le revendeur agréé qui vous l'a vendu ou dans un autre centre autorisé par NMD-A, soit dans l'emballage d'origine, soit dans un emballage similaire procurant un niveau équivalent de protection. Avant de retourner tout produit à NMD-A, vous devez d'abord obtenir une autorisation de retour de marchandise en composant le 1-800-632-4662. Le produit ne pourra avoir été enlevé ou modifié, réparé ou entretenu au préalable par personne d'autre que du personnel technique autorisé par NMD-A, et le numéro de série du produit ne pourra pas avoir été enlevé. Pour être couvert par cette garantie, le produit ne pourra pas avoir été soumis à l'affichage d'une image fixe pendant de longues périodes de temps résultant en une persistance de l'image, un accident, une utilisation incorrecte ou abusive ou une utilisation contraire aux directives contenues dans le guide de l'utilisateur. Une seule de ces conditions annulera la garantie.

NMD-A NE POURRA ÊTRE TENUE RESPONSABLE DE DOMMAGES DIRECTS, INDIRECTS, ACCIDENTELS, SECONDAIRES OU D'AUTRES TYPES DE DOMMAGES RÉSULTANT DE L'UTILISATION D'UN PRODUIT QUI N'ENTRENT PAS SOUS LA RESPONSABILITÉ DÉCRITE CI-DESSUS. CES GARANTIES REMPLACENT TOUTE AUTRE GARANTIE EXPLICITE OU IMPLICITE, Y COMPRIS, MAIS SANS S'Y LIMITER, TOUTE GARANTIE DE QUALITÉ MARCHANDE OU D'APTITUDE À UNE FIN PARTICULIÈRE. CERTAINES JURIDICTIONS NE PERMETTANT PAS L'EXCLUSION DE GARANTIES IMPLICITES OU LA LIMITATION OU L'EXCLUSION DE RESPONSABILITÉ POUR DOMMAGES ACCIDENTELS OU SECONDAIRES, LES EXCLUSIONS OU LIMITATIONS CI-DESSUS POURRAIENT NE PAS S'APPLIQUER DANS VOTRE CAS.

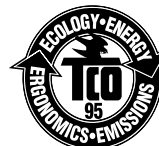
Ce produit est garanti selon les termes de cette garantie limitée. Les consommateurs doivent savoir que les performances du produit peuvent varier selon la configuration du système, le logiciel, l'application, les données du client et la manière dont le produit est utilisé par l'opérateur, ainsi que d'autres facteurs. Bien que les produits NMD-A soient considérés compatibles avec de nombreux systèmes, la mise en oeuvre fonctionnelle du produit peut varier d'un client à l'autre. Par conséquent, l'adéquation d'un produit à un besoin ou une application spécifique doit être déterminée par le consommateur et n'est pas garantie par NMD-A.

Pour connaître le nom du centre de service technique agréé NEC-Mitsubishi Electronics Display le plus proche, appeler NEC-Mitsubishi Electronics Display of America au 1-800-632-4662.

## TCO'95 (C'est une traduction de portion Anglaise de TCO'95.)

### MultiSync LCD1550M Pour Noir la Modèle (LA-15R03-BK)

Félicitations! Vous avez acheté un produit qui répond à la directive TCO'95. En choisissant ce produit conçu pour une utilisation professionnelle, vous contribuez aussi à la réduction des effets nuisibles sur l'environnement et aussi au développement continu de produits électroniques respectueux de l'environnement.



### Pourquoi des ordinateurs «éco-étiquetés»?

Dans de nombreux pays, l'éco-étiquetage est devenu une méthode reconnue pour favoriser la mise au point de biens et de services respectueux de l'environnement. Pour ce qui est des ordinateurs et autre équipement électronique, le problème est double : des substances nuisibles à l'environnement sont utilisées à la fois dans le produit et u cours du processus de fabrication. Comme il n'a pas été possible de recycler de manière appropriée la majeure partie de l'équipement électronique, ces substances sont tôt ou tard introduites dans la nature.

L'ordinateur comporte d'autres caractéristiques comme les niveaux de consommation énergétique, qui influent à la fois sur l'environnement de travail (interne) et sur l'environnement naturel (externe). Étant donné que toutes les méthodes de génération d'électricité traditionnelle ont un impact négatif sur l'environnement (retombées acides et émissions provoquant des changements climatiques, déchets radioactifs, etc.), la conservation de l'énergie est cruciale. Les appareils électroniques utilisés dans des bureaux consomment une quantité énorme d'énergie puisqu'ils sont souvent laissés continuellement en marche.

### Qu'est-ce qu'implique l'éco-étiquetage?

Ce produit répond aux exigences de la directive TCO'95 qui prévoit l'éco-étiquetage et l'étiquetage international d'ordinateurs personnels. La directive d'étiquetage a été élaborée par le TCO (Confédération suédoise des employés professionnels), Naturskyddsforeningen (Société suédoise de conservation de la nature) et NUTEK (Conseil suédois de développement industriel et technique).

La directive couvre plusieurs volets : environnement, ergonomie, facilité d'utilisation, émissions de champs électriques et magnétiques, consommation énergétique, sécurité-électrique et sécurité-incendie.

Les exigences environnementales concernent la restriction de la présence et de l'utilisation, entre autres, de métaux lourds, de retardateurs de flamme contenant du brome et du chlore, d'hydrocarbure chlorofluoré (fréon) et de solvants chlorés. Le produit doit être préparé en vue d'être éventuellement recyclé et le fabricant est tenu d'élaborer un plan environnemental qui doit être respecté dans chaque pays où la société met en œuvre sa politique opérationnelle. Dans le cadre des exigences relatives à la consommation, l'ordinateur et/ou l'écran doit, après une certaine période d'inactivité, réduire sa consommation énergétique en une ou plusieurs phases. Le temps nécessaire à la réactivation de l'ordinateur devra être raisonnable. Les produits étiquetés doivent répondre à des exigences environnementales rigoureuses, par exemple, eu égard à la réduction des champs électriques et magnétiques, à l'ergonomie physique et visuelle et à la facilité d'utilisation. TCO'95 est un projet coopératif entre TCO (Confédération suédoise des employés professionnels), Naturskyddsforeningen (Société suédoise de conservation de la nature) et NUTEK (Conseil suédois de développement industriel et technique).

### Exigences environnementales

#### Retardateurs de flamme contenant du brome

Les retardateurs de flamme contenant du brome sont présents dans les cartes à circuits imprimés, les câbles, les fils, les châssis et les boîtiers. Leur présence permet de retarder la propagation du feu. Le plastique d'un boîtier d'ordinateur peut contenir jusqu'à trente pour cent de substances ignifuges. Ces dernières s'apparentent à un autre groupe de toxines environnementales, les PCB, qui sont suspectés de provoquer les mêmes effets néfastes, dont la modification de la reproduction chez les oiseaux piscivores et les mammifères, attribuable aux processus biocumulatifs\*. La présence

## TCO'95 (suite)

---

de retardateurs de flamme a été détectée dans le sang humain et les chercheurs craignent que le développement du fœtus pourrait être perturbé.

La directive TCO'95 exige que les composants en plastique pesant plus de 25 grammes ne contiennent pas de chlore ou de brome organiquement liés.

### **Plomb\*\***

Le plomb peut être présent dans les tubes cathodiques, les écrans, les soudures et les condensateurs. Le plomb s'attaque au système nerveux et, à doses élevées, entraîne l'intoxication par le plomb. La directive TCO'95 permet l'inclusion du plomb était donné qu'aucun remplacement n'ait encore été mis au point.

### **Cadmium\*\***

Le cadmium est présent dans les batteries rechargeables et dans les couches de génération des couleurs de certains écrans d'ordinateur. Le cadmium s'attaque au système nerveux et est toxique à doses élevées.

La directive TCO'95 stipule que les batteries ne peuvent contenir plus de 25 ppm (parties par million) de cadmium. La présence de cadmium dans les couches de génération de couleurs d'écrans d'ordinateur est interdite.

### **Mercure\*\***

Le mercure est parfois présent dans les batteries, les relais, les interrupteurs et les systèmes rétroéclairés. Le cadmium s'attaque au système nerveux et est toxique à doses élevées.

La directive TCO'95 stipule que les batteries ne peuvent contenir plus de 25 ppm (parties par million) de mercure. Elle exige aussi que le mercure soit absent de tous les composants électriques ou électroniques de l'écran, sauf pour les systèmes rétroéclairés.

### **Hydrocarbures chlorofluorés (fréon)**

Les hydrocarbures chlorofluorés (fréon) sont parfois utilisés dans le lavage des cartes à circuits imprimés et dans la fabrication de la mousse de polystyrène pour l'emballage. Les hydrocarbures chlorofluorés décomposent la couche d'ozone et endommagent la couche d'ozone dans la stratosphère, ce qui provoque l'augmentation de rayonnement ultraviolet sur la terre et entraîne le risque accru de cancer de la peau (mélanome malin).

La directive TCO'95 : les hydrocarbures chlorofluorés et les hydrocarbures partiellement halogénés ne peuvent pas être utilisés dans la fabrication du produit ou de son emballage.

\*Biocumulatif signifie les substances qui s'accumulent au sein d'organismes vivants.

\*\*Le plomb, le cadmium et le mercure sont des métaux lourds qui sont biocumulatifs.

Pour obtenir des informations détaillées sur le document des critères environnementaux, adressez-vous à :

TCO Development Unit  
SE-114 94 Stockholm  
SUÈDE  
Numéro de télécopieur : +46 8 782 92 07  
Courriel (Internet) : [development@tco.se](mailto:development@tco.se)

Vous pouvez aussi obtenir des informations à jour sur les produits approuvés et étiquetés TCO'95 en visitant le site Web <http://www.tco-info.com>

## TCO'99 *(C'est une traduction de portion Anglaise de TCO'99.)*

### MultiSync LCD1550M Pour Blanche la Modèle (LA-15R03)

Félicitations! Vous avez acheté un produit qui répond à la directive TCO'99. En choisissant ce produit conçu pour une utilisation professionnelle, vous contribuez aussi à la réduction des effets nuisibles sur l'environnement et aussi au développement continu de produits électroniques respectueux de l'environnement.



### Pourquoi des ordinateurs «éco-étiquetés»?

Dans de nombreux pays, l'éco-étiquetage est devenu une méthode reconnue pour favoriser la mise au point de biens et de services respectueux de l'environnement. Pour ce qui est des ordinateurs et autre équipement électronique, le problème est double : des substances nuisibles à l'environnement sont utilisées à la fois dans le produit et au cours du processus de fabrication. Comme il n'a pas été possible de recycler de manière appropriée la majeure partie de l'équipement électronique, ces substances sont tôt ou tard introduites dans la nature.

L'ordinateur comporte d'autres caractéristiques comme les niveaux de consommation énergétique, qui influent à la fois sur l'environnement de travail (interne) et sur l'environnement naturel (externe). Étant donné que toutes les méthodes de génération d'électricité traditionnelle ont un impact négatif sur l'environnement (retombées acides et émissions provoquant des changements climatiques, déchets radioactifs, etc.), la conservation de l'énergie est cruciale. Les appareils électroniques utilisés dans des bureaux consomment une quantité énorme d'énergie puisqu'ils sont souvent laissés continuellement en marche.

### Qu'est-ce qu'implique l'éco-étiquetage?

Ce produit répond aux exigences de la directive TCO'99 qui prévoit l'éco-étiquetage et étiquetage international d'ordinateurs personnels. La directive d'étiquetage a été élaborée par le TCO (Confédération suédoise des employés professionnels), Svenska Naturkyddsforeningen (Société suédoise de conservation de la nature) et Statens Energimyndighet (Administration nationale de l'énergie de la Suède).

La directive couvre plusieurs volets : environnement, ergonomie, facilité d'utilisation, émissions de champs électriques et magnétiques, consommation énergétique, sécurité-électrique et sécurité-incendie.

Les exigences environnementales concernent la restriction de la présence et de l'utilisation, entre autres, de métaux lourds, de retardateurs de flamme contenant du brome et du chlore, d'hydrocarbure chlorofluoré (fréon) et de solvants chlorés. Le produit doit être préparé en vue d'être éventuellement recyclé et le fabricant est tenu d'élaborer un plan environnemental qui doit être respecté dans chaque pays où la société met en oeuvre sa politique opérationnelle. Dans le cadre des exigences relatives à la consommation, l'ordinateur et/ou l'écran doit, après une certaine période d'inactivité, réduire sa consommation énergétique en une ou plusieurs phases. Le temps nécessaire à la réactivation de l'ordinateur devra être raisonnable. Les produits étiquetés doivent répondre à des exigences environnementales rigoureuses, par exemple, eu égard à la réduction des champs électriques et magnétiques, à l'ergonomie physique et visuelle et à la facilité d'utilisation.

### Exigences environnementales

#### Retardateurs de flamme

Les retardateurs de flamme sont présents dans les cartes à circuits imprimés, les câbles, les fils, les châssis et les boîtiers. Leur présence permet de retarder la propagation du feu. Le plastique d'un boîtier d'ordinateur peut contenir jusqu'à trente pour cent de substances ignifuges. La plupart des retardateurs de flamme contiennent du brome ou du chlore et ces derniers s'apparentent à un autre groupe de toxines environnementales, les PCB, qui sont suspectés de provoquer des effets néfastes pour la santé, dont la modification de la reproduction chez les oiseaux piscivores et les mammifères, attribuable aux processus biocumulatifs\*. La présence de retardateurs de flamme a été détectée dans le sang humain et les chercheurs craignent que le développement du fœtus pourrait être perturbé. La directive TCO'99 exige que les composants en plastique pesant plus de

## TCO'99 (suite)

---

25 grammes ne contiennent pas de retardateurs de flamme contenant du chlore ou du brome organiquement liés. Les retardateurs de flamme sont autorisés dans les cartes à circuits imprimés étant donné qu'aucun substitut n'est encore disponible.

### **Plomb\*\***

Le plomb peut être présent dans les tubes cathodiques, les écrans, les soudures et les condensateurs. Le plomb s'attaque au système nerveux et, à doses élevées, entraîne l'intoxication par le plomb. La directive TCO'99 permet l'inclusion du plomb étant donné qu'aucun remplacement n'ait encore été mis au point.

### **Cadmium\*\***

Le cadmium est présent dans les batteries rechargeables et dans les couches de génération des couleurs de certains écrans d'ordinateur. Le cadmium s'attaque au système nerveux et est toxique à doses élevées.

La directive TCO'99 stipule que les batteries, les couches de génération de couleurs d'écrans d'ordinateur et les composants électriques ou électroniques ne doivent pas contenir de cadmium.

### **Mercure\*\***

Le mercure est parfois présent dans les batteries, les relais, les interrupteurs et les systèmes rétroéclairés. Le cadmium s'attaque au système nerveux et est toxique à doses élevées.

La directive TCO'99 stipule que les batteries ne peuvent de mercure. Elle exige aussi que le mercure soit absent de tous les composants électriques ou électroniques associés à l'écran.

### **Hydrocarbures chlorofluorés (fréon)**

Les hydrocarbures chlorofluorés (fréon) sont parfois utilisés dans le lavage des cartes à circuits imprimés. Les hydrocarbures chlorofluorés décomposent la couche d'ozone et endommagent la couche l'ozone dans la stratosphère, ce qui provoque l'augmentation de rayonnement ultraviolet sur la terre et entraîne le risque accru de cancer de la peau (mélanome malin).

La directive TCO'99 : les hydrocarbures chlorofluorés et les hydrocarbures partiellement halogénés ne peuvent pas être utilisés dans la fabrication ou l'assemblage du produit ou de son emballage.

\*Biocumulatif signifie les substances qui s'accumulent au sein d'organismes vivants.

\*\*Le plomb, le cadmium et le mercure sont des métaux lourds qui sont biocumulatifs.

Pour obtenir des informations détaillées sur le document des critères environnementaux, adressez-vous à :

TCO Development Unit  
SE 114 94 Stockholm  
SUÈDE  
Numéro de télécopieur : +46 8 782 92 07  
Courriel (Internet) : development@tco.se

Vous pouvez aussi obtenir des informations à jour sur les produits approuvés et étiquetés TCO'99 en visitant le site Web <http://www.tco-info.com>

## Déclaration du fabricant

Nous certifions par la présente que les  
moniteurs  
MultiSync® LCD1550M<sup>MC</sup> (LA-15R03) à  
MultiSync® LCD1550M<sup>MC</sup> (LA-15R03-BK)  
sont conformes à  
la directive 73/23/EEC du Conseil:  
– EN 60950

la directive 89/336/EEC du Conseil:  
– EN 55022  
– EN 61000-3-2  
– EN 61000-3-3  
– EN 55024

et porte le sigle



NEC-Mitsubishi Electric Visual  
Systems Corporation  
4-13-23, Shibaura,  
Minato-Ku  
Tokyo 108-0023, Japan



La consommation du moniteur en mode  
économie d'énergie est inférieure à 3W.



## Série LCD NEC

### AVIS DE PROPRIÉTÉ EXCLUSIVE ET DE DÉGAGEMENT DE RESPONSABILITÉ

Les informations contenues dans ce document, y compris tous les designs et matériel s'y rapportant, sont la propriété de NEC-Mitsubishi Electronics Display of America et/ou ses concédants. NEC-Mitsubishi Electronics Display of America se réserve les droits de fabrication brevetée, les droits d'auteurs et autres propriétés exclusives à ce document, y compris tous les droits de design, de fabrication, de reproduction, d'utilisation et de vente y afférent, à condition que ces droits n'ont pas été directement délivrés à d'autres.

Les produits de NEC-Mitsubishi Electronics Display of America dont il est question dans ce document sont garantis conformément aux termes de la déclaration de garantie limitée accompagnant chaque produit. Cependant, les performances réelles de chaque produit dépendent de facteurs tels que la configuration du système, les données du client et la manière dont le produit est utilisé. Étant donné que la mise en oeuvre fonctionnelle du produit peut varier d'un client à l'autre, l'adéquation et l'application de configurations spécifiques du produit peuvent être déterminées par le client et ne sont pas garanties par NEC-Mitsubishi Electronics Display of America .

Afin de permettre l'amélioration du design et des caractéristiques techniques, les informations contenues dans ce document sont sujettes à modifications sans préavis. La reproduction totale ou partielle de ce document sans l'accord préalable de NEC-Mitsubishi Electronics Display of America est interdite.

### DÉCLARATION DE CONFORMITÉ

Cet appareil est conforme à l'article 15 du règlement de la FCC. L'utilisation est soumise à deux conditions. 1) Cet appareil ne peut pas occasionner d'interférences nuisibles, et 2) cet appareil doit accepter toutes interférences reçues, y compris les interférences qui peuvent occasionner un mauvais fonctionnement.

Partie responsable américaine :	NEC-Mitsubishi Electronics Display of America, Inc.
Adresse :	1250 N. Arlington Heights Road, Suite 500 Itasca, Illinois 60143-1248
N° tél. :	(630) 467-3000

Type de produit :	Moniteur d'ordinateur
Classification de l'appareil :	Périphérique classe B
Modèle :	MultiSync LCD1550M



*Nous déclarons par la présente que les appareils mentionnés ci-dessus sont conformes aux normes techniques spécifiées dans le règlement de la FCC.*

Windows est une marque déposée de Microsoft Corporation. NEC est une marque déposée de NEC Corporation. ENERGY STAR® est une marque déposée aux États-Unis. Tous les autres noms de marques et de produits sont des marques de commerce ou des marques déposées de leurs propriétaires respectifs.

En tant que partenaire ENERGY STAR®, NEC-Mitsubishi Electronics Display of America a veillé à ce que ce produit respecte les normes ENERGY STAR® en matière de rendement énergétique. Le logo ENERGY STAR ne représente aucun aval par l'EPA de quelque produit ou service que ce soit.

# NEC

N° de pièce 7A811261  
Imprimé au Taiwan

## NEC LCD Series

### PROPRIETARY NOTICE AND LIABILITY DISCLAIMER

The information disclosed in this document, including all designs and related materials, is the valuable property of NEC-Mitsubishi Electronics Display of America and/or its licensors, as appropriate, reserve all patent, copyright and other proprietary rights to this document, including all design, manufacturing, reproduction, use and sales rights thereto, except to the extent said rights are expressly granted to others.

The NEC-Mitsubishi Electronics Display of America product(s) discussed in this document are warranted in accordance with the terms of the Limited Warranty Statement accompanying each product. However, actual performance of each such product is dependent upon factors such as system configuration, customer data and operator control. Since implementation by customers of each product may vary, the suitability of specific product configurations and applications must be determined by the customer and is not warranted by NEC-Mitsubishi Electronics Display of America.

To allow for design and specification improvements, the information in this document is subject to change at any time without notice. Reproduction of this document or portions thereof without prior approval of NEC-Mitsubishi Electronics Display of America is prohibited.

---

---

### DECLARATION OF CONFORMITY

---

---

This device complies with Part 15 of FCC Rules. Operation is subject to the following two conditions. (1) This device may not cause harmful interference, and (2) this device must accept any interference received, including interference that may cause undesired operation.

<b>U.S. Responsible Party:</b>	<b>NEC-Mitsubishi Electronics Display of America, Inc.</b>
<b>Address:</b>	<b>1250 North Arlington Heights Road, Suite 500</b>
	<b>Itasca, Illinois 60143-1248</b>
<b>Tel. No.:</b>	<b>(630) 467-3000</b>

Type of Product:	Computer Monitor
Equipment Classification:	Class B Peripheral
Model:	MultiSync LCD1550M



*We hereby declare that the equipment specified above conforms to the technical standards as specified in the FCC Rules.*

---

Windows is a registered trademark of Microsoft Corporation. NEC is a registered trademark of NEC Corporation. ENERGY STAR® is a U.S. registered trademark. All other brands and product names are trademarks or registered trademarks of their respective owners.

As an ENERGY STAR® Partner, NEC-Mitsubishi Electronics Display of America has determined that this product meets the Energy Star guidelines for energy efficiency. The ENERGY STAR® emblem does not represent EPA endorsement of any product or service.

# NEC

Part No. 7A811261  
Printed in Taiwan

## Free Manuals Download Website

<http://myh66.com>

<http://usermanuals.us>

<http://www.somanuals.com>

<http://www.4manuals.cc>

<http://www.manual-lib.com>

<http://www.404manual.com>

<http://www.luxmanual.com>

<http://aubethermostatmanual.com>

Golf course search by state

<http://golfingnear.com>

Email search by domain

<http://emailbydomain.com>

Auto manuals search

<http://auto.somanuals.com>

TV manuals search

<http://tv.somanuals.com>