

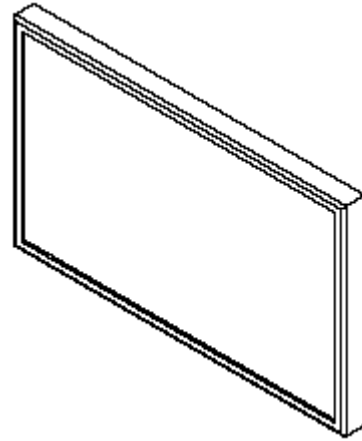
LCD4620-2 Installation Guide

46" LCD Display

Rev 1.0

Contents:

| | |
|--------------------------------------------------|--------|
| Product Description and Notes | Page 1 |
| Tilt Angle and Rotation | Page 1 |
| Ventilation Requirements | Page 2 |
| Display Dimensions | |
| Front, Top & Right Side | Page 3 |
| Rear & Bottom | Page 4 |
| Display Dimensions w/Optional Speakers and Stand | Page 5 |
| Optional Table Top Stand Dimensions | Page 6 |
| Optional Speaker Dimensions | Page 7 |
| Optional Wall Mount Dimensions | Page 8 |
| Control Codes | Page 9 |



Product Description

Type: LCD Display
Resolution: 1366 x 768
Aspect Ratio: 16:9
FCC: Class B
Power Consumption: 235W (max)

Screen Surface: Anti-Reflective
Dimensions: 41.6"(W) x 24.0"(H) x 5.5"(D)
Weight: 79.6 lbs
BTU's: 802 BTU/hour

Notes

This document is intended to be used as a reference guide to supply useful information for a design or installation. It is not intended to be a step-by-step procedure for installation.

Any ceilings or walls must be strong enough to support the monitor and the installation must be in accordance with any local building codes. All mounts should make secure contact to wood studs.

4:3 sources can be displayed on the 16:9 screen in either normal aspect ratio with bars on the left or right, or stretched horizontally to fill the screen using the menus (see "Aspect Modes" in menus and user manual).

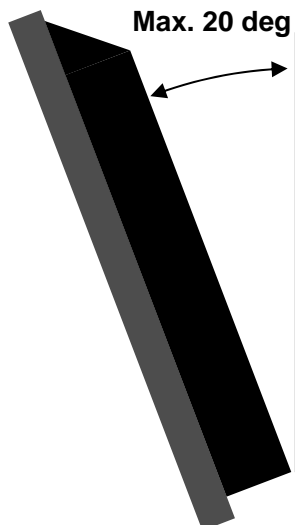
Distances are in inches, for millimeters multiply by 25.4.

Distances may vary $\pm 5\%$.

Tilt Angle and Rotation

Below are the maximum angles that the monitor can be tilted in the landscape position only.

Landscape 20deg



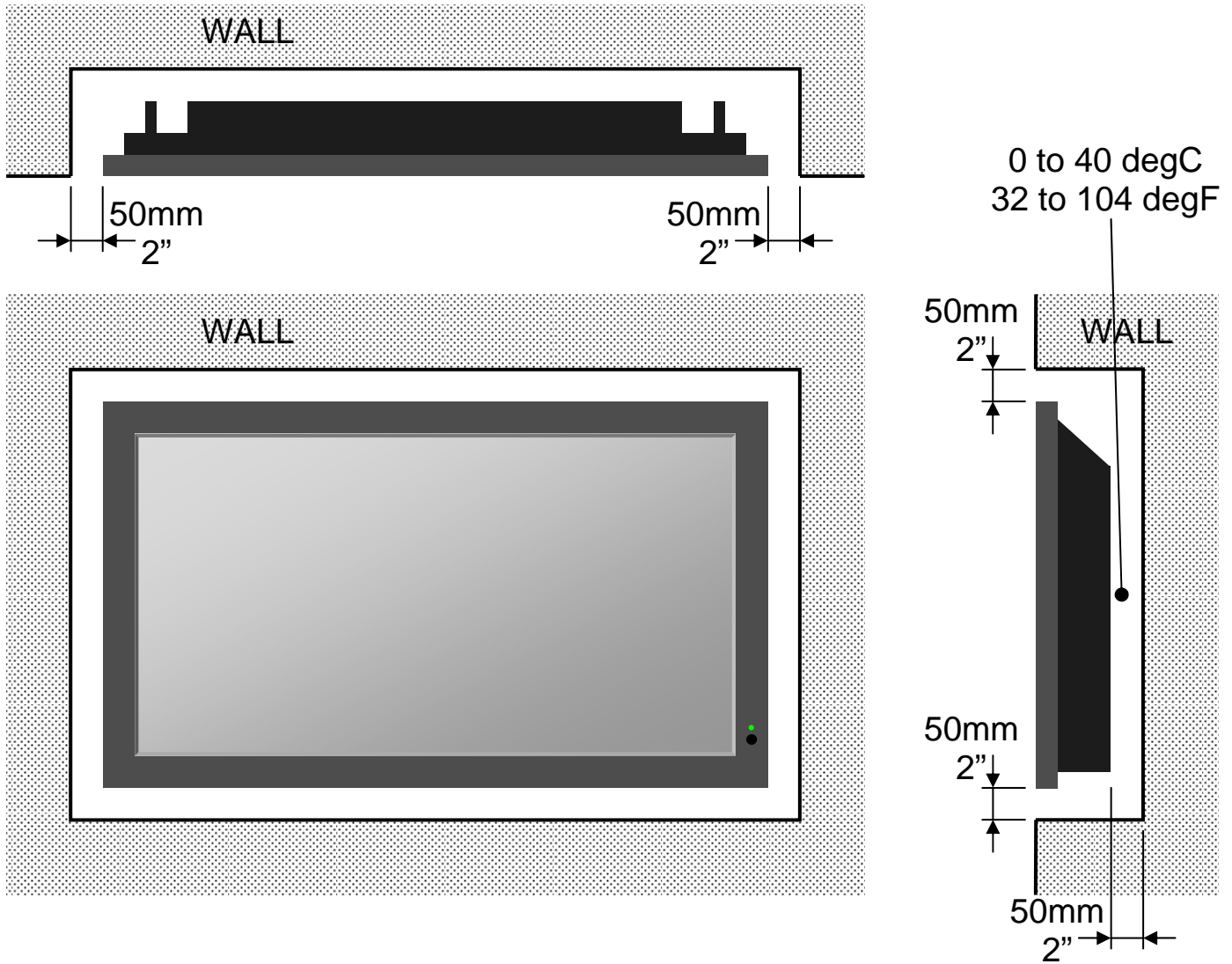
LCD4620-2 Installation Guide

46" LCD Display

Rev 1.0

Ventilation Requirements (all models)

Dimensions below are minimum required for proper ventilation.



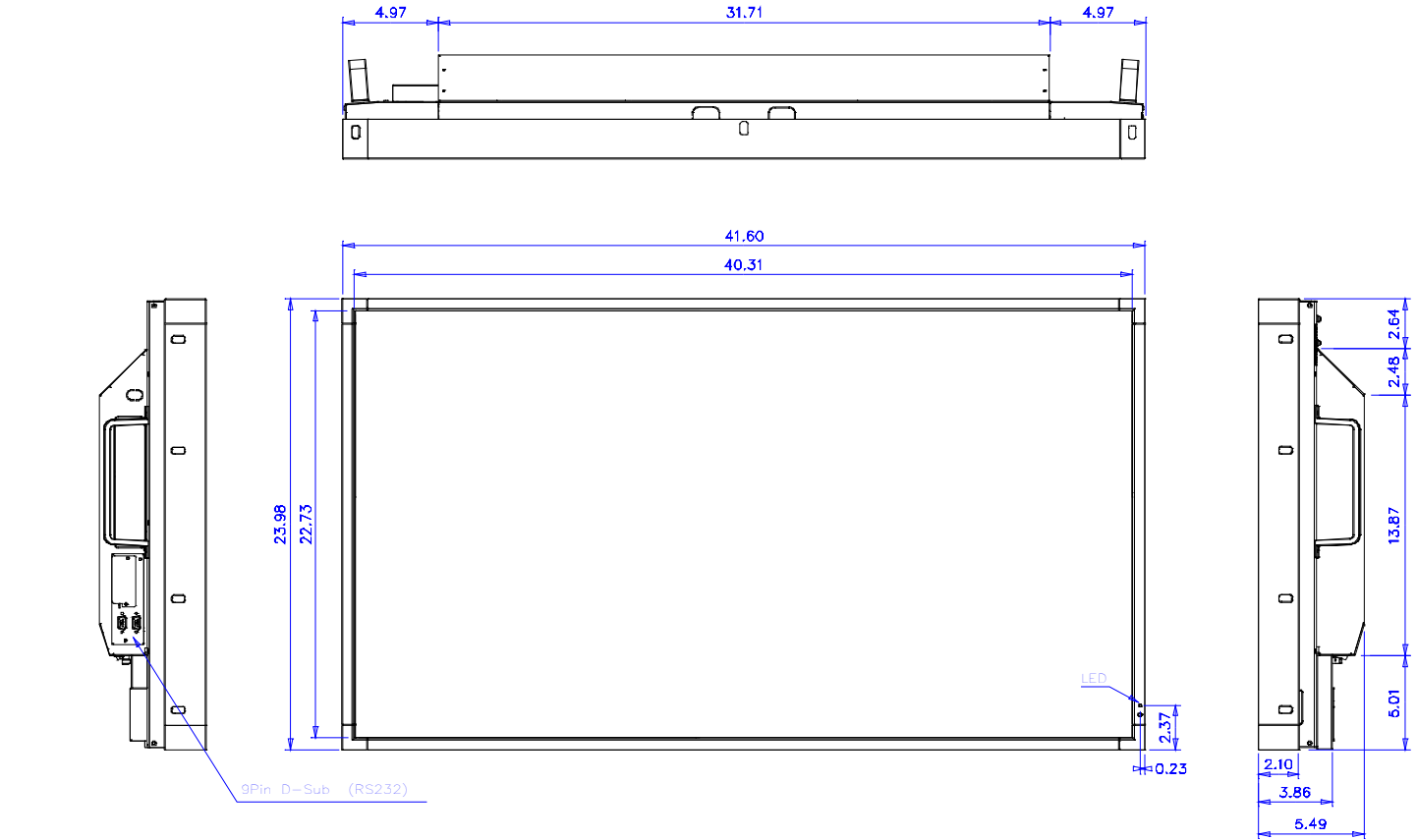
NOTE: The ventilation space should not be covered or closed off at the front of the opening. If for some reason the opening needs to be covered, other means of ventilation will need to be incorporated into the design. Contact NEC for design review and recommendations.

LCD4620-2 Installation Guide

46" LCD Display

Rev 1.0

Display dimensions

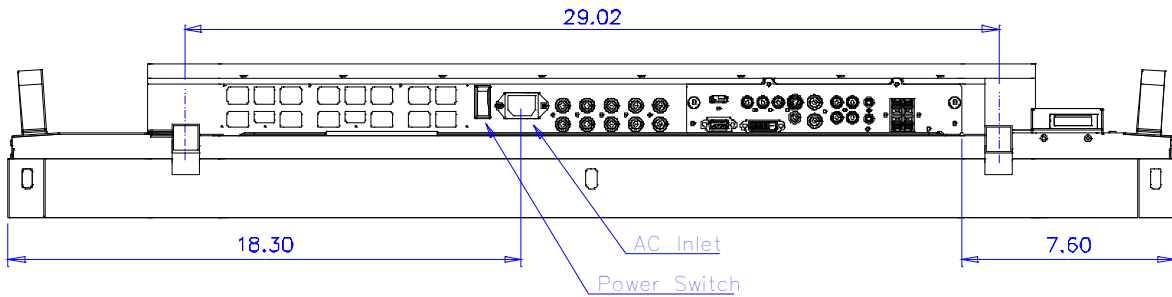
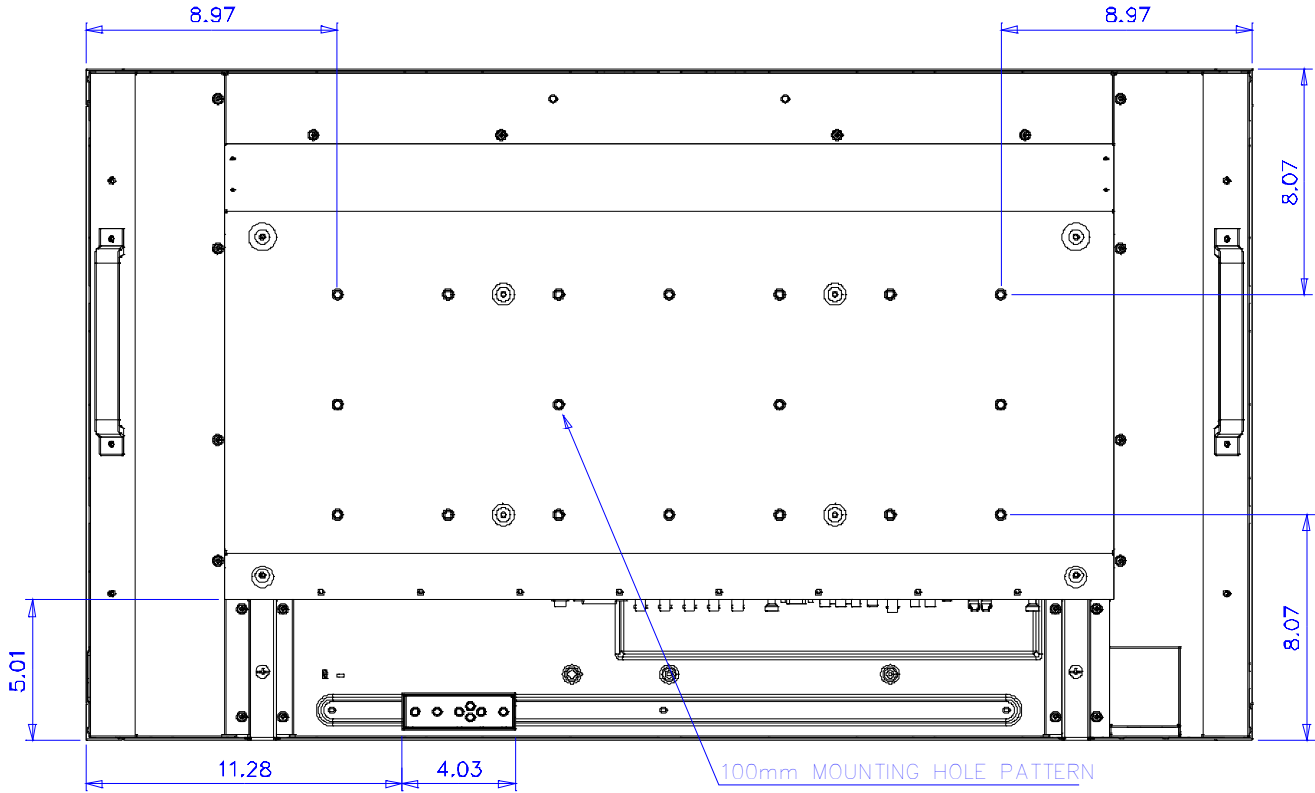


LCD4620-2 Installation Guide

46" LCD Display

Rev 1.0

Display dimensions (cont.)

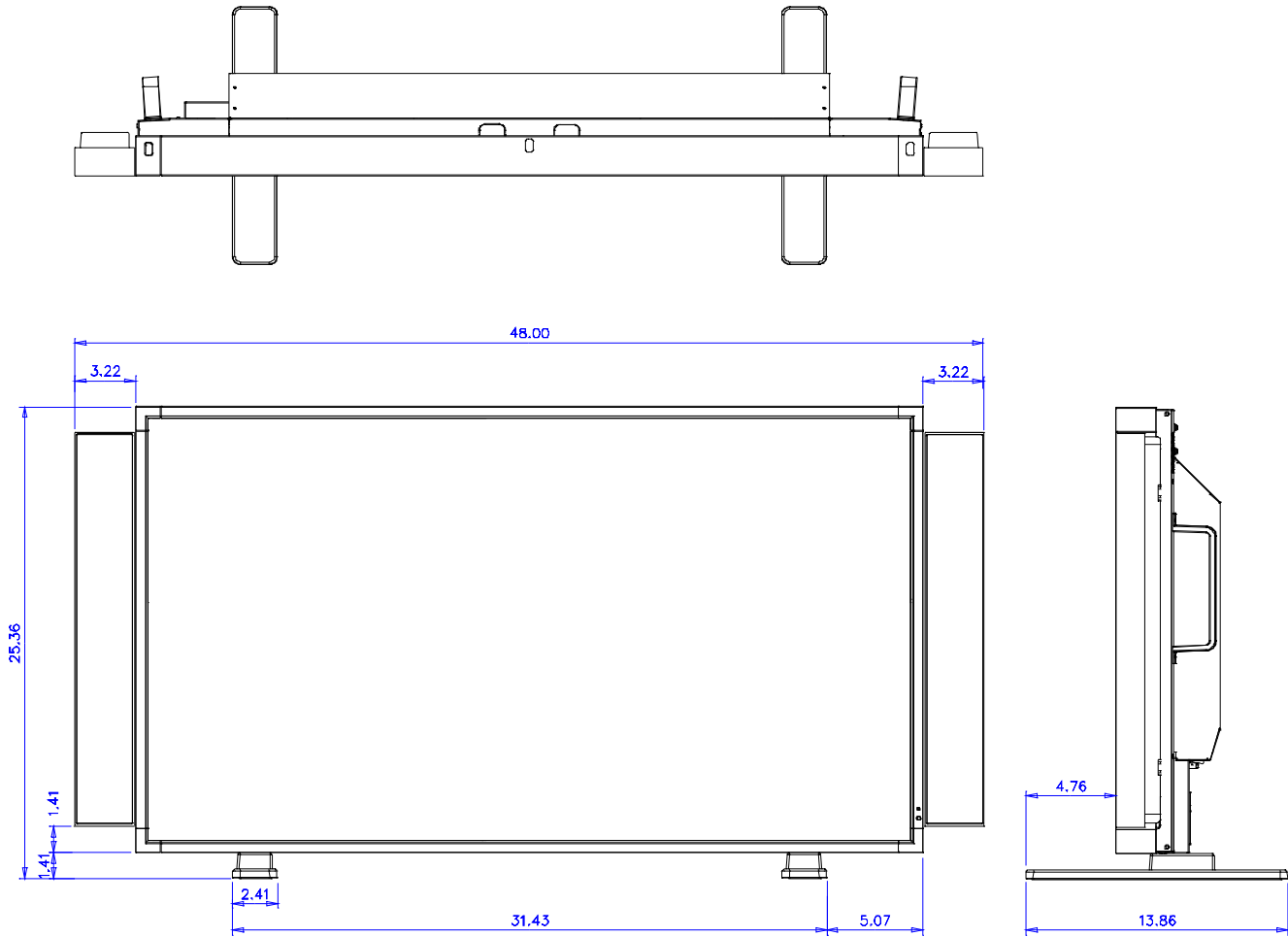


LCD4620-2 Installation Guide

46" LCD Display

Rev 1.0

Dimensions with optional speakers and stand



LCD4620-2 Installation Guide

46" LCD Display

Rev 1.0

Optional Table Top Stand Dimensions (ST-4620)

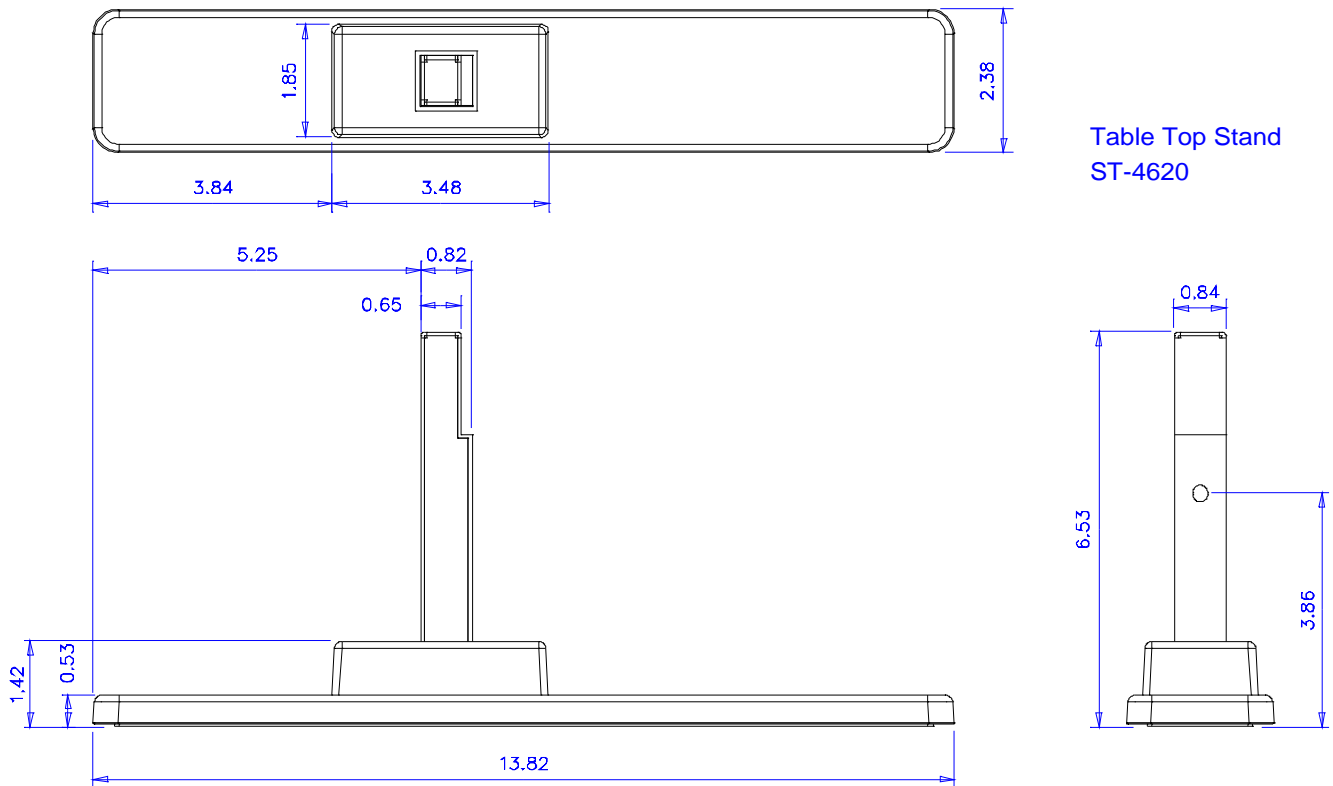


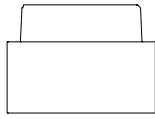
Table Top Stand
ST-4620

LCD4620-2 Installation Guide

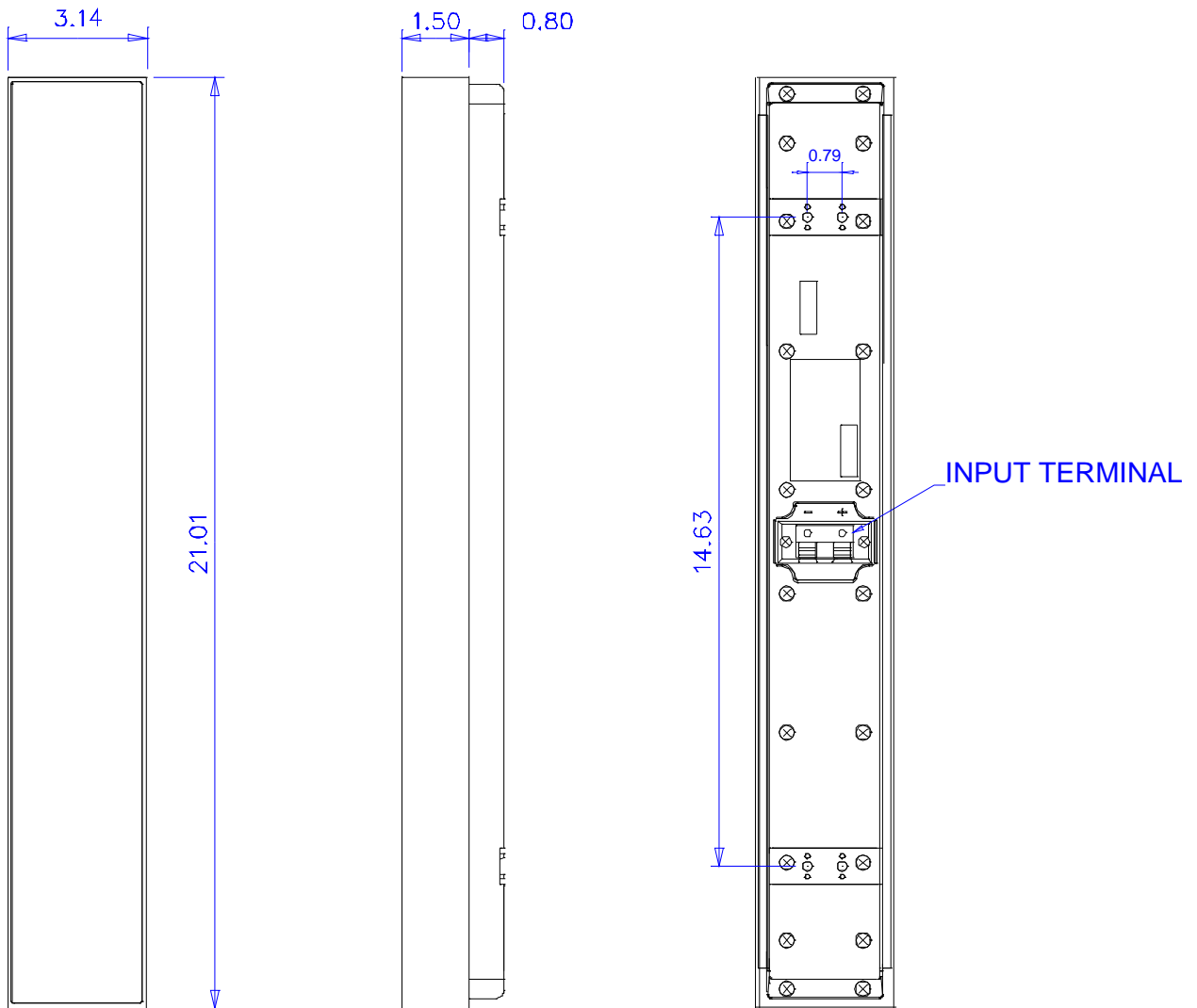
46" LCD Display

Rev 1.0

Optional Speaker Dimensions (SP4020-4620)



Optional Speakers SP4020-4620

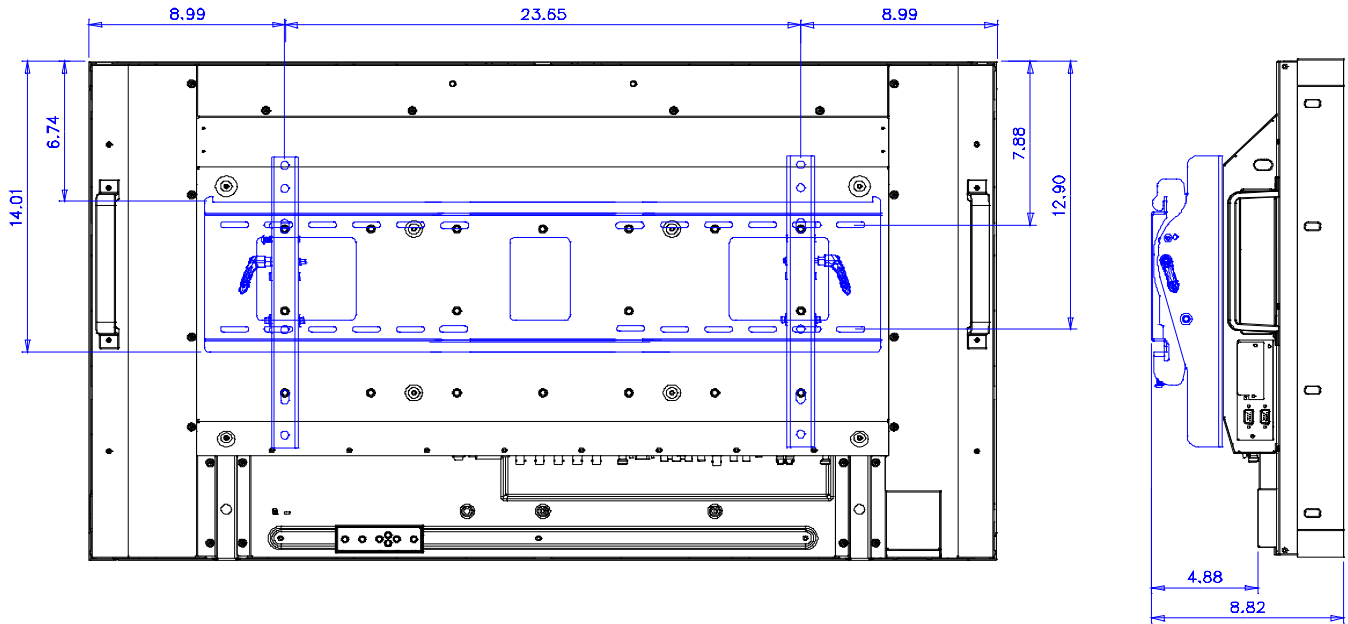


LCD4620-2 Installation Guide

46" LCD Display

Rev 1.0

Dimensions with Optional Wall Mount Kit (WMK3260-L)



LCD4620-2 Installation Guide

46" LCD Display

Rev 1.0

Control Codes

| Function | | Code Data |
|--------------|-------------------|----------------------------------------------------------------|
| POWER | ON | 01 30 41 30 41 30 43 02 43 32 30 33 44 36 30 30 30 31 03 73 0D |
| | OFF | 01 30 41 30 41 30 43 02 43 32 30 33 44 36 30 30 30 34 03 76 0D |
| INPUT SWITCH | VGA (15pin HD) | 01 30 41 30 45 30 41 02 30 30 36 30 30 30 30 31 03 73 0D |
| | RGBHV | 01 30 41 30 45 30 41 02 30 30 36 30 30 30 30 32 03 70 0D |
| | DVI | 01 30 41 30 45 30 41 02 30 30 36 30 30 30 30 33 03 71 0D |
| | HDMI | 01 30 41 30 45 30 41 02 30 30 36 30 30 30 30 34 03 76 0D |
| | VIDEO (Composite) | 01 30 41 30 45 30 41 02 30 30 36 30 30 30 30 35 03 77 0D |
| | DVD/HD | 01 30 41 30 45 30 41 02 30 30 36 30 30 30 30 43 03 01 0D |
| | S-Video | 01 30 41 30 45 30 41 02 30 30 36 30 30 30 30 37 03 75 0D |
| | TV (Analog) | 01 30 41 30 45 30 41 02 30 30 36 30 30 30 30 39 03 7B 0D |
| AUDIO MUTE | ON | 01 30 41 30 45 30 41 02 30 30 38 44 30 30 30 31 03 09 0D |
| | OFF | 01 30 41 30 45 30 41 02 30 30 38 44 30 30 30 32 03 0A 0D |
| PICTURE MODE | sRGB | 01 30 41 30 45 30 41 02 30 32 31 41 30 30 30 31 03 07 0D |
| | HIBRIGHT | 01 30 41 30 45 30 41 02 30 32 31 41 30 30 30 33 03 05 0D |
| | STANDARD | 01 30 41 30 45 30 41 02 30 32 31 41 30 30 30 34 03 02 0D |
| | CINEMA | 01 30 41 30 45 30 41 02 30 32 31 41 30 30 30 35 03 03 0D |
| SCREEN MODE: | NORMAL | 01 30 41 30 45 30 41 02 30 32 37 30 30 30 30 31 03 70 0D |
| | FULL | 01 30 41 30 45 30 41 02 30 32 37 30 30 30 30 32 03 73 0D |
| | WIDE | 01 30 41 30 45 30 41 02 30 32 37 30 30 30 30 33 03 72 0D |
| | ZOOM | 01 30 41 30 45 30 41 02 30 32 37 30 30 30 30 34 03 75 0D |
| AUTO SETUP | EXECUTE | 01 30 41 30 45 30 41 02 30 30 31 45 30 30 30 31 03 01 0D |
| FILM MODE | OFF | 01 30 41 30 45 30 41 02 30 30 30 32 30 30 30 31 03 77 0D |
| | AUTO | 01 30 41 30 45 30 41 02 30 30 30 32 30 30 30 32 03 74 0D |

NOTE: Contact your NEC rep for codes not listed.

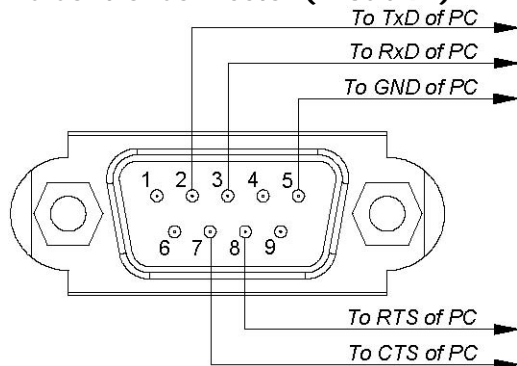
NOTE: Use a cross/reverse/null modem cable.

Cable Connection

Communication Protocol:

| | | | |
|----------------|--------------|---------------------|-------|
| Interface: | RS-232C | Parity: | None |
| Communication: | Asynchronous | Stop Bit: | 1 bit |
| Baud Rate: | 9600 bps | Communication Code: | Hex |
| Data Length: | 8 bits | | |

PC Control Connector (D-Sub 9P)



NOTE: If so desired, jumper "Request to send" and "Clear to Send" together on both ends of the cable to simplify cable connection. These connections are not required. The only connections required are pins 2 (Rx), 3 (Tx) and 5 (GND).

Free Manuals Download Website

<http://myh66.com>

<http://usermanuals.us>

<http://www.somanuals.com>

<http://www.4manuals.cc>

<http://www.manual-lib.com>

<http://www.404manual.com>

<http://www.luxmanual.com>

<http://aubethermostatmanual.com>

Golf course search by state

<http://golfingnear.com>

Email search by domain

<http://emailbydomain.com>

Auto manuals search

<http://auto.somanuals.com>

TV manuals search

<http://tv.somanuals.com>