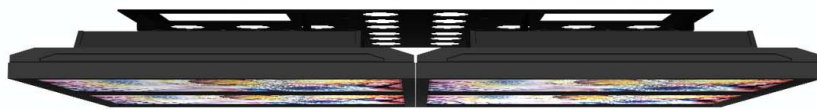


NEC 2x2 LCD TileMatrix™ Video Wall Solution

46" LCD Displays/Mounting System/Cabling/Power Suppression



TOP VIEW

NEC Display Solutions complete 46" 2x2 LCD TileMatrix Video Wall Solution delivers an all-in-one, easy-to-configure and cost-effective solution that is ideal for dynamic digital signage, information display and command & control applications. Exclusive TileMatrix and TileComp™ technologies, combined with the ultra-thin bezel design of the LCD4620-2-IT, provide for a near seamless video wall without the need for additional third-party equipment.



SIDE VIEW

Solution Features and Benefits

TileMatrix allows you to build video walls up to 25 displays using only one video source. This helps avoid the hassle and extra costs of using splitters or connecting monitors to multiple sources.

TileComp works in tandem with TileMatrix to compensate for the bezel width and create a more seamless video wall

The ultra-thin-bezel design of the MultiSync LCD4620 (16.5mm) helps create near-seamless video walls

XtraView® wide-angle viewing technology delivers flexible horizontal and vertical viewing angles with less glare, reflection and distortion

Rapid Response™ technology delivers virtually uninterrupted, undistorted viewing of high-speed, full-motion video

6-axis color control engine allows for precise and simplified color, color temperature and saturation adjustment

The high-efficiency backlight reduces not only the power consumption but also the heat generation at the front of the screen. In addition, two thermally controlled fans and sensors continuously monitor the interior temperature of the display.

Real-time clock allows for content scheduling and monitor sleep/wake management, improving energy savings and extending display life

Digital Factory PerfectAlign™ Mounting System is compact and slim, which allows the displays to be mounted as close to the wall as possible

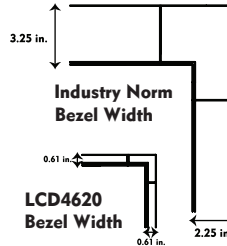
Extron® cables are premium quality and provide uncompromising high resolution signal distribution and multipurpose interconnectivity solutions for a wide range of professional, commercial, residential, themed entertainment and live event AV environments

Tripp Lite Isobar6 surge suppressor, featuring six outlets and \$50,000 ultimate lifetime insurance, prevents system crashes, reboots and performance problems

NEC 2x2 LCD TileMatrix Video Wall Solution (LCD4620-TMX4)

46" NEC MultiSync LCD4620-2-IT (4)

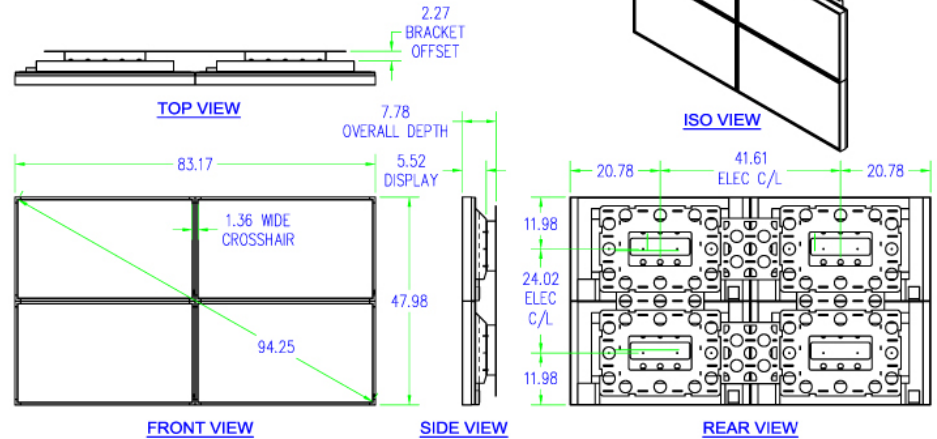
Your digital signage applications will never look the same. The 46" NEC MultiSync LCD4620 gives your messages and images the "wow factor" they need to reach audiences with maximum impact. In addition to the exclusive Digital Signage Technology Suite, which boasts 20+ advanced features, this display touts an ultra-thin bezel for tiled-wall configurations, a built-in expansion slot that future-proofs it for emerging technologies and HD resolution that turns heads and draws crowds. In addition, Onsite Overnight Service (OnsiteOn-46) ensures that a comparable new or refurbished LCD unit will be replaced by a technician within one business day of a customer's call.



Model	LCD4620-2-IT	
Display	Viewable Size Image	46"
	Brightness (typical)	700 cd/m ²
	Contrast Ratio (typical)	1800:1
Display Colors	Viewing Angle (typical)	178° Vert., 178° Hor. (89U/89D/89L/89R) @ CR > 10
	Screen Aspect Ratio	256 RGB Level, more than 16 million 16:9
Input	RGB1	DVI-D
	RGB2	Analog D-sub
	RGB3	Analog BNC
	External Control	RS232, DDC/CI
Output	RGB	Daisychain BNC - RGB3
	Control	RS-232 for multiple monitor control
Native Resolution	1366 x 768	
Net Weight (without stand)	79.6 lbs. / 36.1 kg	

Digital Factory PerfectAlign 2x2 Video Wall System

Designed to support NEC's ultra-thin-bezel large-screen LCD displays, PerfectAlign allows installers to quickly assemble any video wall configuration imaginable. Easy to install and very simple to maintain, this mounting system ensures that every display is "perfectly aligned" the first time.



Extron Cables

SYM BNCM Series

15-pin HD Male to BNC Male Mini High Resolution Cables

- High-performance cable designed for transmission of computer video
- Utilizes Extron MHR-5 Cable, part # 22-020-03
- Smaller diameter, more flexible and easier to pull than regular coax cable, improving ease of installation
- NEC CM-rated, non-plenum cable
- Terminated with five high-quality 75-ohm BNC male connectors at one end



MHR-5P BNC Series

BNC Male to Male Five Conductor MHR - Mini High Resolution Cables - Plenum

- High-performance coaxial cable for high-resolution video signal distribution
- Lighter, smaller in diameter and more convenient to install than standard coaxial cable
- Provides five 26 AWG, 75-ohm coaxial conductors in a single jacket
- Double-shielded to reduce crosstalk, maintaining the integrity of the video signal
- NEC CMP rated, plenum cable
- Terminated with high-quality 75-ohm BNC connectors



MultiSync and XtraView are registered trademarks, and Rapid Response, TileComp and TileMatrix are trademarks of NEC Display Solutions. All other brand or product names are trademarks or registered trademarks of their respective holders. Product specifications subject to change. 2/08 ver. 1.

©2008 NEC Display Solutions of America, Inc. All rights reserved.

NEC Display Solutions

500 Park Boulevard, Suite 1100
Itasca, IL 60143
866-NEC-MORE



Free Manuals Download Website

<http://myh66.com>

<http://usermanuals.us>

<http://www.somanuals.com>

<http://www.4manuals.cc>

<http://www.manual-lib.com>

<http://www.404manual.com>

<http://www.luxmanual.com>

<http://aubethermostatmanual.com>

Golf course search by state

<http://golfingnear.com>

Email search by domain

<http://emailbydomain.com>

Auto manuals search

<http://auto.somanuals.com>

TV manuals search

<http://tv.somanuals.com>