

## P350W Installation Guide Ceiling Mounted and Desktop

Rev 1.0

### Contents

Product Description, Lens Specs, Notes and Formulas	Pg 1
Diagrams & Distance Charts	Pg 2
Cabinet Dimensions	Pg 3-4
Ceiling Mount Dimensions	Pg 5
Input Panel and Control Codes	Pg 6



### Product Description

Type:	3 panel LCD projector, 0.59" p-Si TFT w/MLA Resolution: 1280 x 800	Dimensions: 15.7" (W) x 4.5" (H) x 11.1" (D) Weight: 8.6 lbs
Fan Noise:	35 dB / 29dB @ 1 meter	Brightness: 3500 Lumens
Power Consumption:	311W (max)	BTU's: 1222 BTU/hour

### Lens Specifications

Throw Ratio:	1.3 – 2.2:1 (for 100" diagonal)	Focal Length:	17.4mm – 29.0mm
Offset Angle:	4.8° - 8.0° (for 100" diagonal)	F/#:	1.7 - 2.0
Screen Sizes:	25" - 300" diagonal (4:3)	Manual Focus/Manual Zoom	

### Notes

- For screen sizes not indicated on the projection tables, use the formulas below. If the figures on the tables do not match the results of formulas, use the figures in the table.
- All calculations are based on a 4:3 aspect ratio.
- Distances are in inches, for millimeters multiply by 25.4.
- Distances may vary  $\pm 5\%$ .

### Formulas

The Projection Formulas use the image width for calculation. For proper projection placement, determine the image width for the desired screen size. Use the Screen Formulas below to calculate all screen dimensions. Plug in the width for "W" in the Projection Formulas.

Refer to the diagrams and charts for popular screen sizes on page 2:

#### Definitions:

W = Image Width  
H = Image Height (size)  
B = Vertical distance between lens center and screen center  
C = Throw distance  
D = Vertical distance between lens center and screen top  
(screen bottom for desktop application)

#### 4:3 Screen Formulas:

W = H x 16/10  
H = W x 10/16  
Screen Diagonal = W x 18.868/16

#### Projection Formulas:

B = 0.188W  
C (wide) = 1.36W – 1.68  
C (tele) = 2.26W – 1.68  
D = -0.125W  
 $\alpha$  (wide) =  $\tan^{-1}$  (B/C(wide))  
 $\alpha$  (tele) =  $\tan^{-1}$  (B/C(tele))

## P350W Installation Guide

### Ceiling Mounted and Desktop

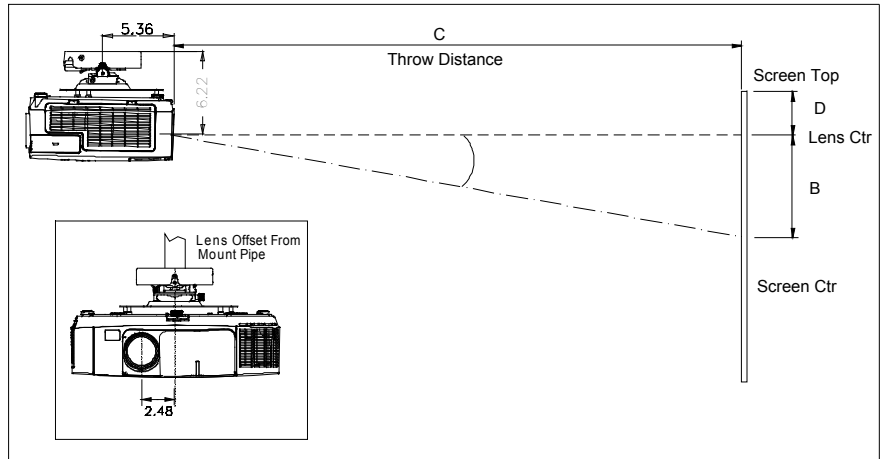
Rev 1.0

### Diagrams and Distance Charts

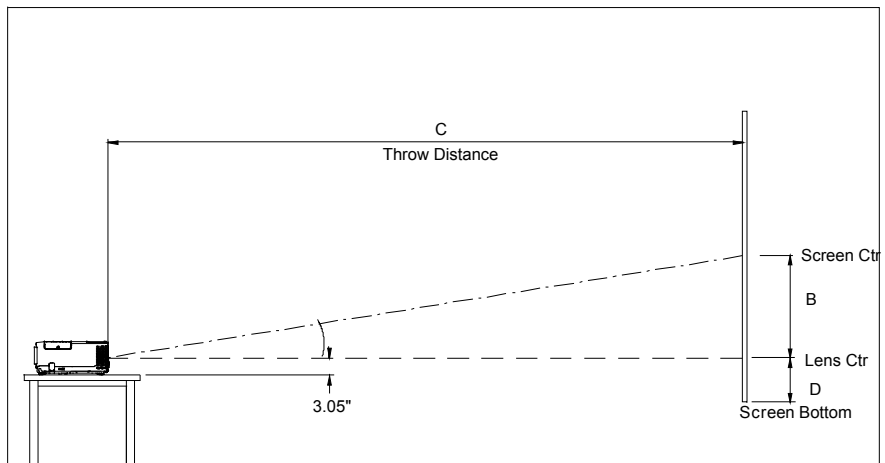
The following shows the proper relative positions of the projector and screen. Refer to the table to determine the position of installation.

Distances are in inches. For millimeters multiply by 25.4.

#### Ceiling Mounted



#### Desktop



#### Distance Chart for popular 16:10 screens

Screen Size (16:10)			B	C		D	α		
Diagonal	Width(W)	Height (H)	inches	wide - tele		inches	wide - tele		
inches	inches	inches	inches	inches		inches	degrees		
57	48	30	9	64	- 107	-6	8.1	-	4.8
66	56	35	11	74	- 125	-7	8.0	-	4.8
68	58	36	11	77	- 128	-7	8.0	-	4.8
75	64	40	12	85	- 143	-8	8.0	-	4.8
79	67	42	13	90	- 150	-8	8.0	-	4.8
85	72	45	14	96	- 161	-9	8.0	-	4.8
92	78	49	15	105	- 176	-10	8.0	-	4.8
98	83	52	16	111	- 186	-10	8.0	-	4.8
102	86	54	16	116	- 194	-11	8.0	-	4.8
111	94	59	18	127	- 212	-12	8.0	-	4.8
113	96	60	18	129	- 215	-12	8.0	-	4.8
123	104	65	20	140	- 233	-13	8.0	-	4.8
125	106	66	20	142	- 237	-13	8.0	-	4.8
147	125	78	23	168	- 280	-16	7.9	-	4.8
149	126	79	24	170	- 284	-16	7.9	-	4.8
213	181	113	34	244	- 407	-23	7.9	-	4.8
255	216	135	41	292	- 486	-27	7.9	-	4.8

**Note:** For screen sizes not indicated on the projection tables, use the formulas on page 1.

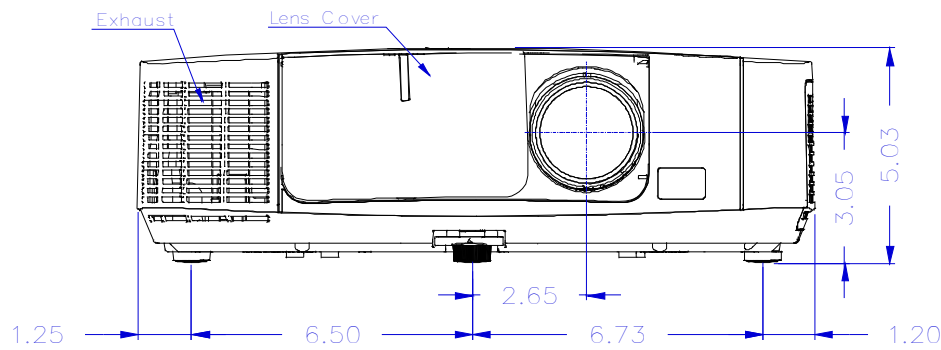
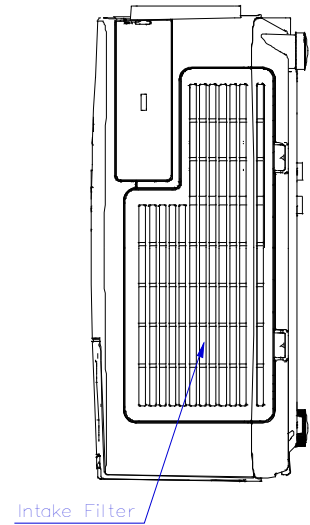
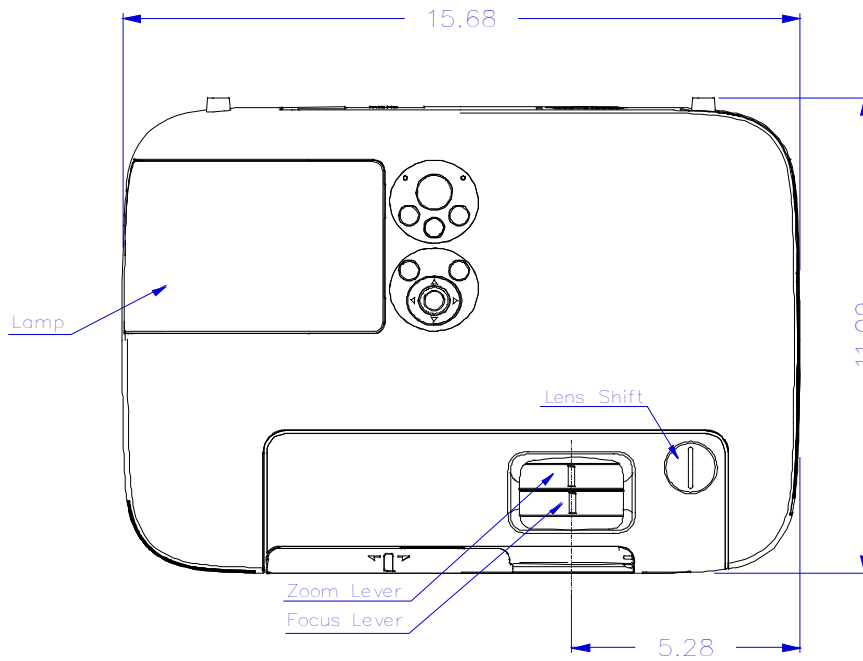
## P350W Installation Guide

### Ceiling Mounted and Desktop

Rev 1.0

#### Cabinet Dimensions

The following drawings show the cabinet dimensions. Dimensions are in inches. For millimeters multiply by 25.4.



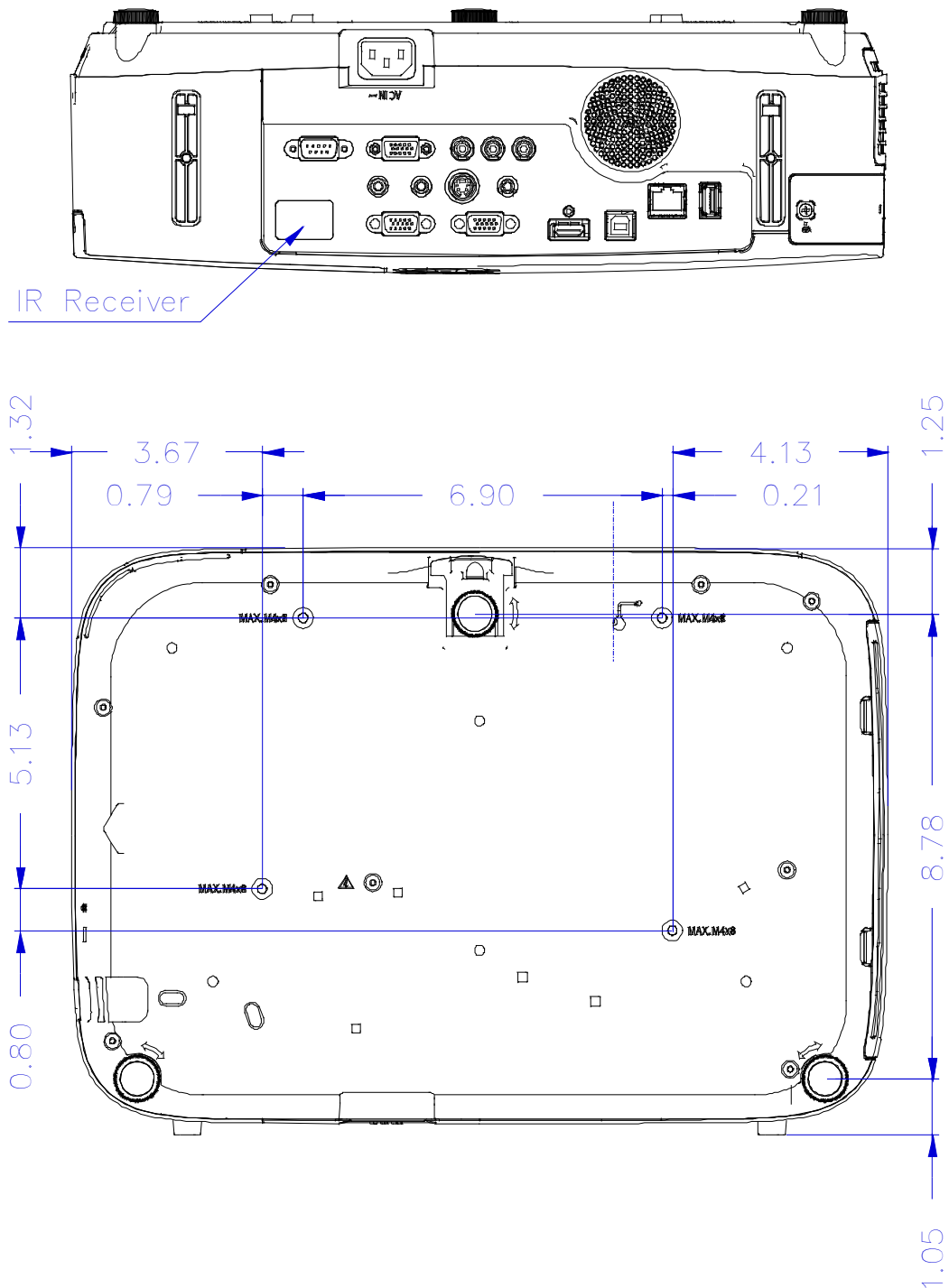
## P350W Installation Guide

### Ceiling Mounted and Desktop

Rev 1.0

#### Cabinet Dimensions (continued)

The following drawings show the cabinet dimensions.  
Dimensions are in inches. For millimeters multiply by 25.4.  
Requires (4) M4x8mm screws for mount attachment.



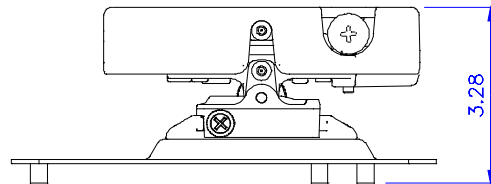
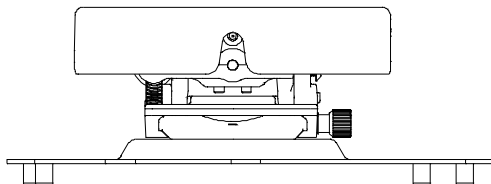
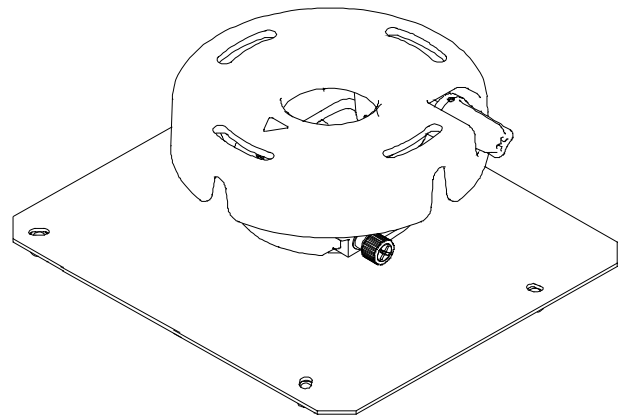
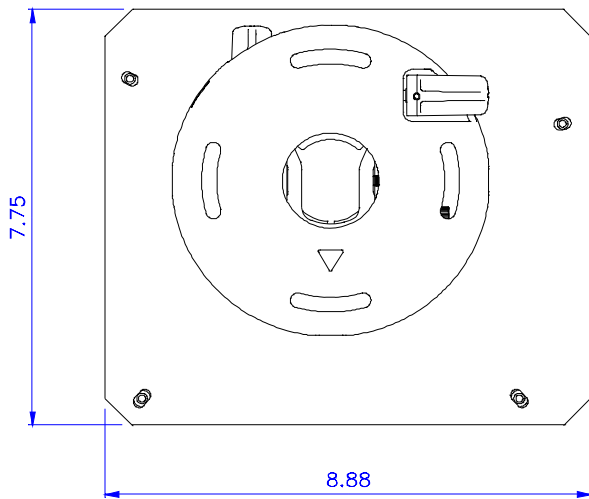
## P350W Installation Guide

### Ceiling Mounted and Desktop

Rev 1.0

#### Optional Ceiling Mount Dimensions (Model #: MP300CM)

The following drawings show the ceiling mount dimensions. Dimensions are in inches. For millimeters multiply by 25.4.



## P350W Installation Guide

Ceiling Mounted and Desktop

Rev 1.0

### Input / Output Panel



### PC Control Codes

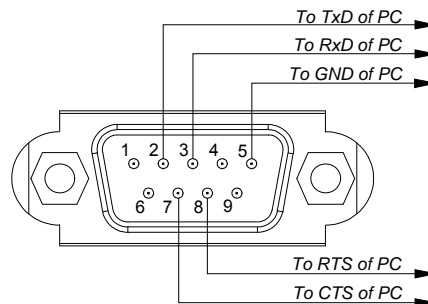
Function	Code Data
POWER ON	02H 00H 00H 00H 00H 02H
POWER OFF	02H 01H 00H 00H 00H 03H
INPUT SELECT COMPUTER1	02H 03H 00H 00H 02H 01H 01H 09H
INPUT SELECT COMPUTER21	02H 03H 00H 00H 02H 01H 02H 0AH
INPUT SELECT HDMI	02H 03H 00H 00H 02H 01H 1AH 22H
INPUT SELECT VIDEO	02H 03H 00H 00H 02H 01H 06H 0EH
INPUT SELECT S-VIDEO	02H 03H 00H 00H 02H 01H 0BH 13H
INPUT SELECT VIEWER	02H 03H 00H 00H 02H 01H 1FH 27H
INPUT SELECT NETWORK	02H 03H 00H 00H 02H 01H 20H 28H
INPUT SELECT USB DISPLAY	02H 03H 00H 00H 02H 01H 22H 2AH
PICTURE MUTE ON	02H 10H 00H 00H 00H 12H
PICTURE MUTE OFF	02H 11H 00H 00H 00H 13H
SOUND MUTE ON	02H 12H 00H 00H 00H 14H
SOUND MUTE OFF	02H 13H 00H 00H 00H 15H
PROJECTOR INFORMATION REQUEST	00H BFH 00H 00H 01H 02H C2H
ERROR STATUS REQUEST	00H 88H 00H 00H 00H 88H
INFORMATION REQUEST	03H 8AH 00H 00H 00H 8DH

**Note:** Contact your NEC rep for codes not listed.

### Cable Connection

#### Communication Protocol:

Baud Rate: 38400 bps  
 Data Length: 8 bits  
 Parity: No Parity  
 Stop Bit: One Bit  
 X on/off: None  
 Communications: Full duplex



#### PC Control Connector (D-Sub 9P)

**NOTE 1:** Pins 1, 4, 6, and 9 are used inside the projector.

**NOTE 2:** For long cable runs it is recommended to set communication speed within the projector to 9600 bps.

**NOTE 3:** Jumper "Request to Send" and "Clear to Send" together on both ends of the cable to simplify cable connection.

## Free Manuals Download Website

<http://myh66.com>

<http://usermanuals.us>

<http://www.somanuals.com>

<http://www.4manuals.cc>

<http://www.manual-lib.com>

<http://www.404manual.com>

<http://www.luxmanual.com>

<http://aubethermostatmanual.com>

Golf course search by state

<http://golfingnear.com>

Email search by domain

<http://emailbydomain.com>

Auto manuals search

<http://auto.somanuals.com>

TV manuals search

<http://tv.somanuals.com>