



NEC Display Solutions of America, Inc.

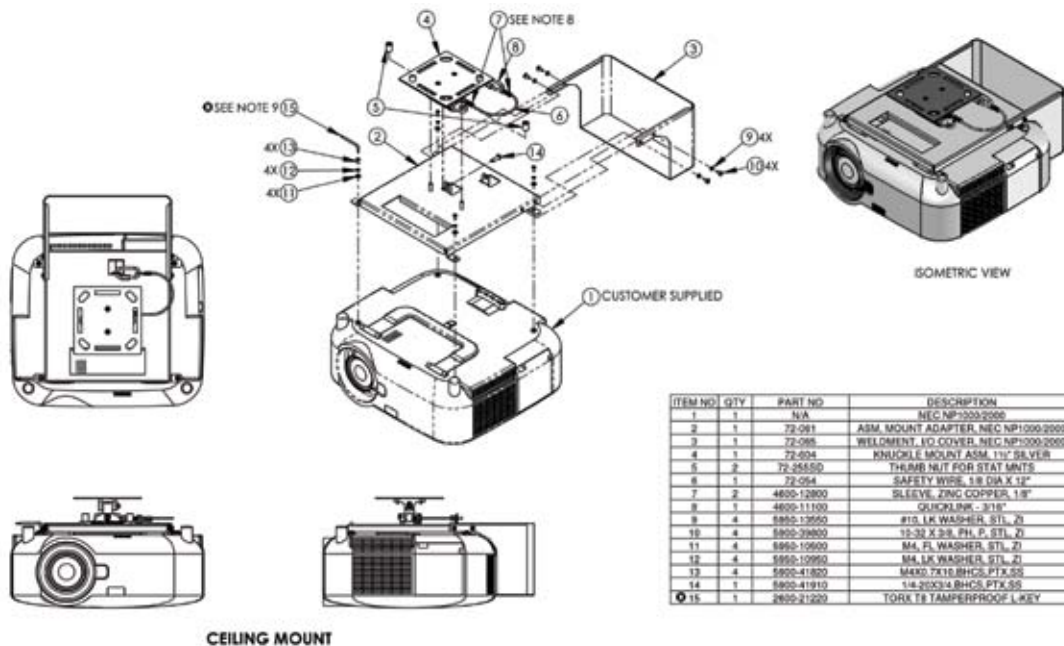
Installation and Assembly Manual:

Custom Ceiling Mount for NEC NP1000, NP2000, NP1150, NP2150, NP3150, NP3151W, NP1250, NP2250, NP3250, and NP3250W Projectors

Model: NP3150CM

Ceiling Mount

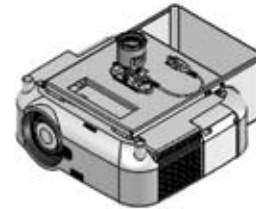
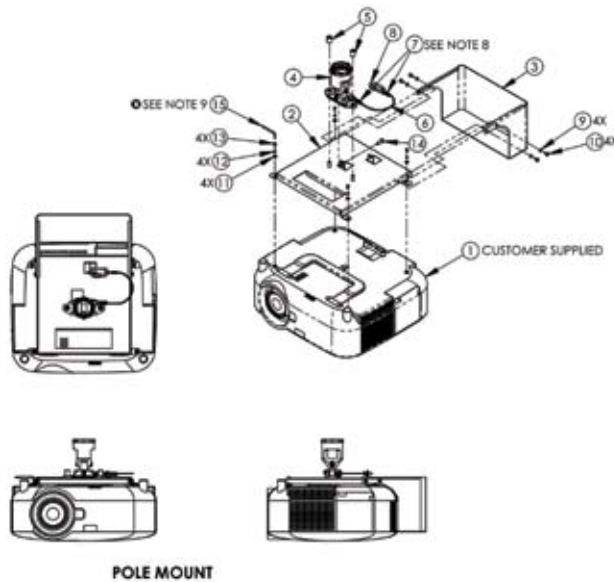
1. Remove 1/4"-20 button head bolt on ceiling plate to remove lower portion of mount.
2. Install the ceiling plate with (4) 5/16" bolts to structural attachment points. Lag screws may be used when attaching to wood joists.
3. Reattach the lower portion of the mount.
4. Attach interface plate (pn 72-061) to projector with (4) M4 x 10 pan head Phillips screws.
5. Align interface plate into holes on mount, slide stand off bolts into slots and tighten. Add center locking Torx cap screw which attach secures the interface plate to the mount.
6. Attach the wire safety rope to the interface plate with the enclosed coupler.
7. Attach power and signal cables to projector.
8. Attach the I/O cover (pn 72-065) to the interface plate with (4) 10-32 x 3/8 pan head Phillips screws and #10 lock washers.
9. Loosen tilt adjustment cap screw with enclosed tool and level the projected image to the screen. Tighten cap screw when a level image is achieved.
10. Loosen up-down pitch adjustment cap screw with enclosed tool and adjust the pitch angle of the projector. Tighten cap screw when at desired projection position.
11. If desired, add Kensington lock through the opening of the mount head, loop through cable end and attach to projector.



5880 Sheridan Boulevard, Arvada, Colorado 80003
 Ph: 303-412-0399 ▪ Fax: 303-412-9346
www.displaydevices.com

Pole Mount

1. Install a 1 1/2" NPT pipe with male threads on lower end from the ceiling. Aftermarket mounting pans and accessories are available.
2. Thread locking ring onto pipe. Thread mount onto pipe and leave locking ring loose.
3. Attach interface plate (pn 72-061) to projector with (4) M4 x 10 pan head Phillips screws.
4. Align interface plate into holes on mount, slide stand off bolts into slot and tighten. Add center locking Torx cap screw which attach secures the interface plate to the mount.
5. Attach the wire safety rope to the interface plate with the enclosed coupler.
6. Insert power and signal cables through pipe and out the top of the mount head to the projector and attach to projector.
7. Attach the I/O cover (pn 72-065) to the interface plate with (4) 10-32 x 3/8 pan head Phillips screws and #10 lock washers.
8. Adjust left-to-right yaw. When desired position is attained, tighten locking ring on pipe to mount.
9. Loosen tilt adjustment cap screw with enclosed tool and level the projected image to the screen. Tighten cap screw when a level image is achieved.
10. Loosen up-down pitch adjustment cap screw with enclosed tool and adjust the pitch angle of the projector. Tighten cap screw when at desired projection position.
11. If desired, add Kensington lock through the opening of the mount head, loop through cable end and attach to projector.



| ITEM NO | QTY | PART NO | DESCRIPTION |
|---------|-----|------------|--------------------------------------|
| 1 | 1 | 15A | NEC NP-2000/2000 |
| 2 | 1 | 72-061 | ASM MOUNT ADAPTER, NEC NP1000/2000 |
| 3 | 1 | 72-065 | WELDMENT, I/O COVER, NEC NP1000/2000 |
| 4 | 1 | 72-004 | KNUCKLE MOUNT ASM, 1 1/2" SS VER |
| 5 | 2 | 72-26550 | THUMB NUT FOR STAT MNTS |
| 6 | 1 | 72-054 | SAFETY WIRE, 1/8" DIA X 12" |
| 7 | 2 | 4600-12800 | SLEEVE, ZINC COPPER, 1/8" |
| 8 | 1 | 4600-11100 | QUICKLINK - 3/16" |
| 9 | 4 | 5800-13500 | #10, LK WASHER, STL, ZI |
| 10 | 4 | 5800-30600 | 10-32 X 3/8, PH. P, STL, ZI |
| 11 | 4 | 5800-10500 | M4, FL WASHER, STL, ZI |
| 12 | 4 | 5800-10950 | M4, LK WASHER, STL, ZI |
| 13 | 4 | 5800-41800 | WASHER, 7X10, RHCS, PTX, SS |
| 14 | 1 | 5800-41910 | 1/4-20X3/4, RHCS, PTX, SS |
| 15 | 1 | 8600-21220 | TORX T8 TAMPERPROOF L KEY |

5880 Sheridan Boulevard, Arvada, Colorado 80003
 Ph: 303-412-0399 ▪ Fax: 303-412-9346
www.displaydevices.com

Free Manuals Download Website

<http://myh66.com>

<http://usermanuals.us>

<http://www.somanuals.com>

<http://www.4manuals.cc>

<http://www.manual-lib.com>

<http://www.404manual.com>

<http://www.luxmanual.com>

<http://aubethermostatmanual.com>

Golf course search by state

<http://golfingnear.com>

Email search by domain

<http://emailbydomain.com>

Auto manuals search

<http://auto.somanuals.com>

TV manuals search

<http://tv.somanuals.com>