

NADY

HM-1

Headmic™

The HM-1 is a miniature cardioid polar pattern headworn dynamic microphone, specifically designed to provide enhanced professional quality vocal pick-up in applications for which hands-free operation is required. With the introduction of the original Headmic™ over 15 years ago, Nady pioneered the first headworn mics on the market. Now, Nady sets the latest performance standard for headset mics with the new Nady HM-1 Headmic™.

With the HM-1, singers/musicians, DJ's, Aerobic instructors, TV broadcasters, and others who require the highest quality vocals with improved gain before feedback can achieve better performance than is available with small omnidirectional lapel microphones or even full-sized stand-mounted cardioid microphones. With its high sensitivity and wide band width, the HM-1 is optimally designed for both singing and speaking applications. The close-up unidirectional vocal pickup provides a full sound while suppressing irritating background noises.

FEATURES

The HM-1 features an adjustable gooseneck which can be set at any angle required by the user. The head worn support system is extremely light and comfortable, and is designed to be visually unobtrusive while worn. Its ear rests and temple provide maximum stability during use, even while moving, dancing, or shaking the head. The durable cable assembly and internal construction are designed to minimize handling noise from contact and movement.

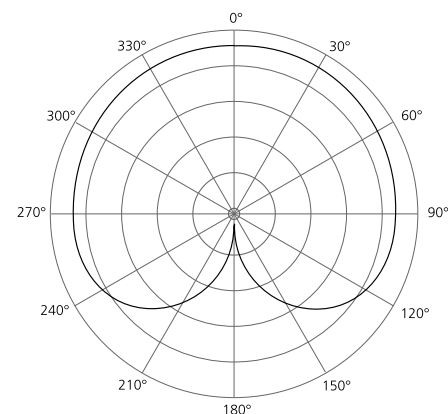
The HM-1 is Nady's newest headworn mic and it incorporates state-of-the-art technology for the best frequency and transient response available. The advanced design offers improved reliability under adverse operating conditions and negligible distortion as compared to other head worn mics. The result is remarkably stable performance.

The HM-1 is designed to operate either with hardwired or wireless microphone transmitters. And unlike condenser mics used on many other headworn mics, the dynamic mic on the HM-1 requires no draining phantom power or troublesome batteries.

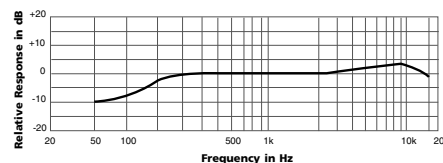
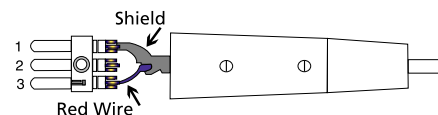
USE & CARE

The head band's shaped rests are placed on top of each ear and the rest of the band extends around the back of the head. The pad supporting the gooseneck rests on the temple in front of the ear providing the necessary stability during use. The temple pad can be adjusted forward or back as necessary for a perfect fit for anyone. The flexible mic boom descends from the ear on the left side.

The entire HM-1 assembly has been moisture-proofed to guard against deterioration during use. After use in a high moisture application such as aerobics or a stage performance, remove the foam screen, wipe off the headset with a towel, and permit it to air-dry. Do not store the unit in a closed space (e.g., a plastic bag) until all moisture has evaporated, and avoid conditions of extremely high humidity. This will help maintain the HM-1's excellent performance. While the HM-1 is not unusually sensitive to the outside environment, extremes in temperature can be harmful. Therefore, for example, avoid leaving the microphone in direct sunlight for long periods of time.



Polar Pattern Directional Characteristic
Top Level: -50 dB
Frequency: 1k Hz
Type: HM-1



SPECIFICATIONS

Element: Dynamic (UM-4)
Polar Pattern: Cardioid (Unidirectional)
Frequency response: 100Hz~15kHz
Sensitivity: -78dB ±3dB(@1kHz, 74dB SPL)
Impedance: 800 ohms ±30% @ 1kHz
Cable Length: 52" (1300 mm)
Dimensions: Headset: 5.66" (144 mm) nominal at widest point; 3.74" (95 mm) flexible boom, .187" (4.4 mm) diameter
Weight: 1.65 oz. (46.2 grams) with cable



Nady Systems, Inc.

6701 Shellmound Street, Emeryville, CA 94608 • 510.652.2411 • Fax 510.652.5075
www.nadywireless.com

Free Manuals Download Website

<http://myh66.com>

<http://usermanuals.us>

<http://www.somanuals.com>

<http://www.4manuals.cc>

<http://www.manual-lib.com>

<http://www.404manual.com>

<http://www.luxmanual.com>

<http://aubethermostatmanual.com>

Golf course search by state

<http://golfingnear.com>

Email search by domain

<http://emailbydomain.com>

Auto manuals search

<http://auto.somanuals.com>

TV manuals search

<http://tv.somanuals.com>