



### Compact Studio Monitor

# CSM-5

## Two-Way Compact Studio Monitor Speaker

Thank you for your purchase of the CSM-5 — you have just purchased one of the finest studio monitor speakers on the market today. The CSM-5 was developed using the expertise of professional sound engineers and working musicians. You will find your new NADY AUDIO speaker has superior performance and greater flexibility than any other speaker in its price range.

We recommend that you read this instruction sheet carefully to get the most out of your new unit. Thanks for selecting NADY AUDIO and the CSM-5 as your choice in studio monitor speakers.

**An indispensable audio tool, the CSM-5 compact studio monitor combines exceptional performance and amazing affordability, and offers the best value available in small monitor speakers.**

### FEATURES AND SPECIFICATIONS

- Two-way nearfield passive speaker ideal for desktop recording, computer music, and many home stereo and multimedia applications
- Full-frequency sound reproduction and super compact size—ideal for use in crowded desktop environments
- 1/4" Ferrofluid-cooled soft-dome tweeter and 5 1/4" robust woofer deliver uncompromised aural accuracy and transparency, enabling mixes that translate exceptionally well to other playback systems.
- Gold plated binding posts for easy hookup to banana plugs, spade connectors, or bare wires
- Mounting bracket included for optional wall-mounting convenience
- 60W peak power rating
- Frequency range: 89Hz-20KHz
- Sensitivity: 8dB +/-2dB (1W/1m)
- Impedance: 8Ω
- Dimension and weight: 10.2" X 6.7" X 6.3" (25.8X17 X16 cm), 4.1 lbs (1.53Kg)

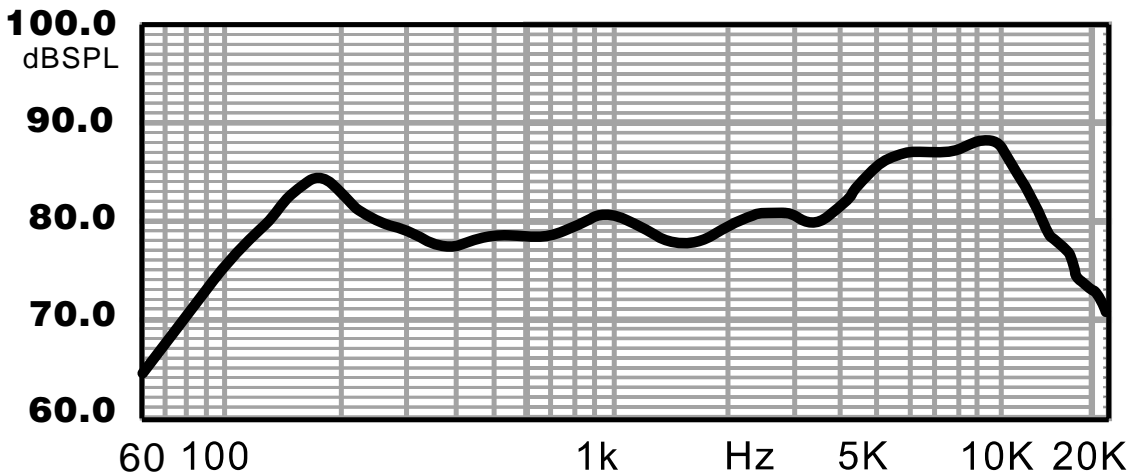
### WARNINGS IMPORTANT SAFETY INSTRUCTIONS

When using this speaker, basic precautions should always be taken, including the following:

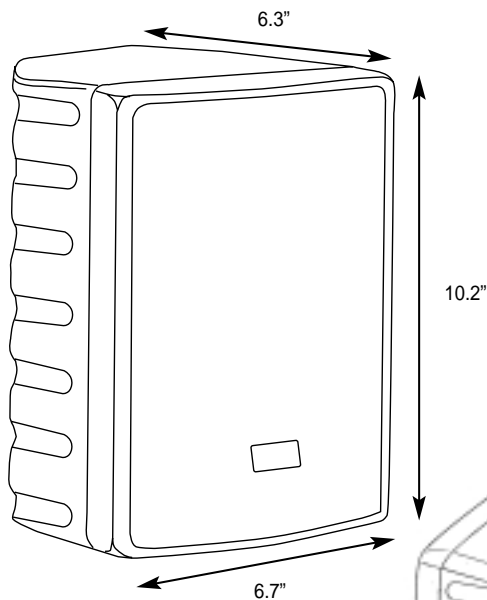
- Read all instructions before using the product.
- This product may be capable of producing sound levels that could cause permanent hearing loss. Do not operate for a long period of time at a high volume level or at a level that is uncomfortable. If you experience any hearing loss or ringing in the ears, you should consult an audiologist.
- To avoid damage to the drivers, never overload the speaker.
- To avoid the risk of fire, do not ever expose the speaker to a source of naked flames. Also, it should be located away from heat sources such as radiators, heat vents, or other devices (including amplifiers) that produce heat.
- The product should be positioned so that proper ventilation is maintained.
- This speaker is designed for indoor use only. Do not expose to weather or high humidity, rain, etc.
- Care should be taken so that objects do not fall into, and liquids are not spilled through, the enclosure's openings. Do not place containers of liquids on the speaker.
- Don't place any heavy appliance or object (>130lbs/60kg) on the speaker enclosure.
- This unit is to be installed by qualified personnel only.
- This speaker is only to be used with power amplifiers complying with the safety requirement of EN or IEC60065.
- The maximum input peak voltage to this speaker should always be less than 50V.
- This product should be serviced by qualified service personnel if:
  - A. Objects have fallen into, or liquid has been spilled onto the product.
  - B. The product has been exposed to rain.
  - C. The product does not appear to operate normally or exhibits a marked change in performance.
  - D. The product has been dropped, or the enclosure damaged.
- Do not attempt to service this unit. All servicing should be referred to qualified service personnel.

# SPECIFICATIONS TECHNICAL DATA

## FREQUENCY RESPONSE

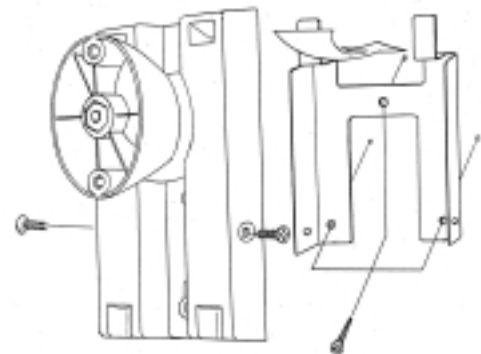
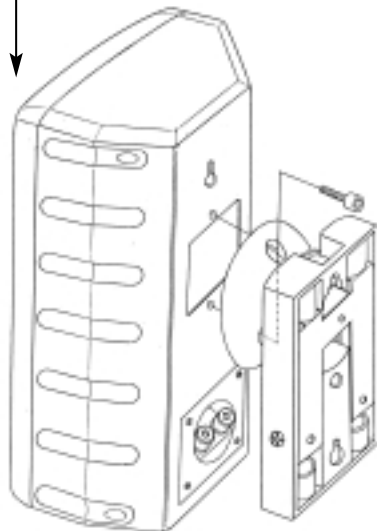


File: SP52-RED.sin CHA dB SPL 1/2 Octave Stepped Delay [ms]: 0.000 Dist Rise [dB]: 30.00

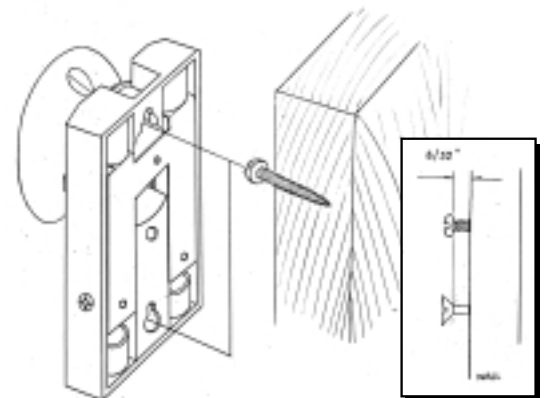


Front View

Back View / installing speaker holder



Speaker holder mounting to the wall



Speaker holder hanging to the wall

## SERVICE FOR YOUR NADY AUDIO PRODUCT

**(U.S.)** Should your NADY AUDIO product require service, please contact the Nady Service Department via telephone at (510) 652-2411 or e-mail at [service@nady.com](mailto:service@nady.com).

**(International)** For service, please contact the NADY AUDIO distributor in your country through the dealer from whom you purchased this product.



NADY SYSTEMS, INC. • 6701 SHELLMOUND STREET, EMERYVILLE, CA 94608  
Tel: 510.652.2411 • Fax: 510.652.5075 • [www.nady.com](http://www.nady.com)

## Free Manuals Download Website

<http://myh66.com>

<http://usermanuals.us>

<http://www.somanuals.com>

<http://www.4manuals.cc>

<http://www.manual-lib.com>

<http://www.404manual.com>

<http://www.luxmanual.com>

<http://aubethermostatmanual.com>

Golf course search by state

<http://golfingnear.com>

Email search by domain

<http://emailbydomain.com>

Auto manuals search

<http://auto.somanuals.com>

TV manuals search

<http://tv.somanuals.com>