

# SPC-25 Condenser Microphone

## USER GUIDE

To take full advantage of the superb features of the SPC-25, and to enjoy long and trouble-free use, please read this User's Guide carefully.



Congratulations on purchasing the Nady SPC-25 Condenser Microphone. The SPC-25 is designed for the most critical live sound and recording applications and is ideal for handheld vocal and mid-high frequency instrument miking.

### UNPACKING, INSPECTION, STORAGE AND TRANSPORT

Your SPC-25 microphone was carefully packed at the factory in a carrying case designed to protect the unit during shipping. Please examine your microphone before using and retain the external shipping package for reuse should you ever need to return your microphone for servicing. A foam padded plastic carrying case is provided for safe, convenient transport and storage.

#### STANDARD ITEMS SUPPLIED

- SPC-25 microphone
- Microphone clip
- User Guide
- Warranty card
- Foam padded plastic carrying case
- (1x) AA battery

#### OPTIONAL ACCESSORIES

- Foam windscreen
- XC-10 — 10' XLR to XLR mic cable
- XC-20 — 20' XLR to XLR mic cable
- XC-25 — 25' XLR to XLR mic cable
- XC-50 — 50' XLR to XLR mic cable

#### FEATURES

- Unique 2-layer ballscreen "pop" filter for elimination of breath noises
- Pressure gradient back electret condenser and transformerless FET circuitry for ultra transparency and enhanced transient response
- Lockable noise-free audio ON/OFF switch
- Supercardioid polar pattern for maximum feedback rejection
- Rugged die-cast body, hardened steel mesh
- Superior internal shockmounting to eliminate handling noise
- Lightweight, rugged and durable
- Operates on a single internal AA battery with no phantom power required

#### USING YOUR SPC-25

Depending on the application, the SPC-25 can either be handheld or mounted on a microphone stand with a standard mic clip.

Be aware of the proximity effect (an increase in bass response) when the mic is placed close to the mouth or instrument. This may or may not be desirable. Experimenting with the position of the mic with respect to the audio source will ensure the optimum results you are seeking in any given application. Also, never place your hand over the ballscreen of the mic during use, as this can degrade the performance.

If the microphone is placed too near a speaker, an unpleasant howling effect (acoustic feedback) may occur. Although all microphones are prone to feedback to some extent, those with a unidirectional polar pattern (such as the SPC-25) are specially

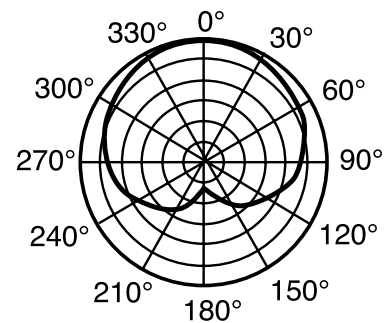
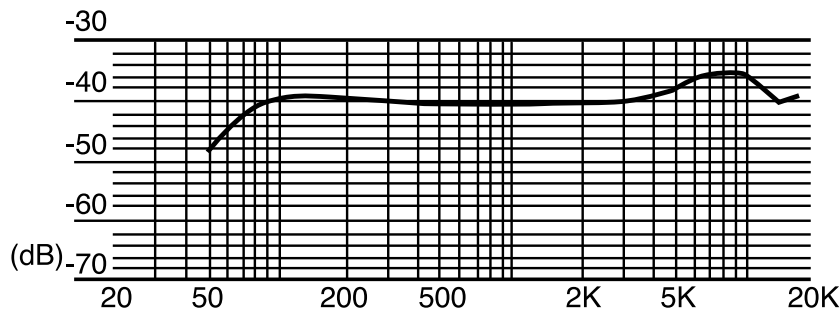
designed to accept only signals from the audio source directly in front of the mic cartridge. Thus, the cardioid pattern of the SPC-25 ensures that it will deliver only the desired audio in front of the mic, rejecting the unwanted audio from the rear, even in noisy ambient conditions with high sound pressure levels from the PA and monitor speakers. This means that feedback will be greatly minimized with the SPC-25 in all live performance miking applications.

Some useful ways in which to totally eliminate annoying feedback include: experimenting with mic positions with respect to the speakers, decreasing speaker volume (whenever possible), and adjusting the equalization of the mic audio with the mixer.

## PRECAUTIONS AND CARE OF YOUR SPC-25

- The capsule is the heart of the condenser microphone. If it become dirty or wet, the sound will be degraded. Never spray any liquid on the microphone head. Always use a foam windscreen if you talk or sing close to the microphone grill screen.
- The microphone should never be dropped or subjected to extreme shock. Store only in a padded case to protect it during transport.
- Keep the microphone away from extremely high temperatures (above 140°F or 60°C) and humidity. Avoid leaving the microphone in direct sunlight for long periods of time.
- When using the microphone outdoors, avoid getting it wet.
- After use in a high-moisture application such as a stage performance, wipe off the microphone with a dry cloth and permit it to air dry. Do not store the unit in a closed space (e.g., a plastic bag) until all moisture has evaporated.
- The optional foam windscreen for the SPC-25 is designed primarily to decrease bass rumble (from wind noise pickup) during outdoor live or recording use. It is also useful in keeping mouth spray out of the microphone head. The windscreen should be used whenever someone is close miked to both protect the microphone and to also eliminate "popping" sounds from percussive breath sounds.  
*(Note: Be aware that the foam windscreen will slightly attenuate the high frequency response of the microphone.)*

## FREQUENCY RESPONSE



## SERVICE

**(U.S.)** Should your Nady microphone require service, please contact the Nady Service Department via telephone at (510) 652- 2411 or e-mail at [service@nady.com](mailto:service@nady.com). **(INTERNATIONAL)** For service, please contact the Nady distributor in your country through the dealer from whom you purchased this product.

Date of purchase \_\_\_\_\_  
Dealer's Name \_\_\_\_\_  
Street \_\_\_\_\_  
City \_\_\_\_\_ State \_\_\_\_\_ Zip \_\_\_\_\_

*Note: Do not attempt to service this unit yourself as it will void your warranty.*

## SPECIFICATIONS

**CARTRIDGE TYPE:** Black Electret Condenser

**POLAR PATTERN:** Uni-directional

**FREQUENCY RESPONSE:** 50Hz to 18KHz

**SENSITIVITY (0dB=1V/Pa @ 1kHz):** -45dB ±3dB

**OUTPUT IMPEDANCE:** 1500Ω ±30%

**MAXIMUM S.P.L. (1% THD @≤0.5% @ 1KHz):** 136dB

**SIGNAL TO NOISE RATIO:** Over 60dB

**BATTERY TYPE:** AA alkaline battery

**CONNECTOR:** 3-pin XLR

**MIC CABLE:** 3-pin XLR standard cable (not supplied)

**DIMENSIONS:** 2.25" Diam. x 7.25" (58 Diam. x 184 mm)

**WEIGHT:** .69lb (313g)

**BALLSCREEN:** Steel mesh

*Specifications and design subject to change for improvement purposes without prior notice.*

## Free Manuals Download Website

<http://myh66.com>

<http://usermanuals.us>

<http://www.somanuals.com>

<http://www.4manuals.cc>

<http://www.manual-lib.com>

<http://www.404manual.com>

<http://www.luxmanual.com>

<http://aubethermostatmanual.com>

Golf course search by state

<http://golfingnear.com>

Email search by domain

<http://emailbydomain.com>

Auto manuals search

<http://auto.somanuals.com>

TV manuals search

<http://tv.somanuals.com>