

# USER GUIDE AND SPECIFICATIONS

# NI USB-6525

This user guide describes how to use the National Instruments USB-6525 data acquisition (DAQ) device.

## Introduction

The NI USB-6525 is a full-speed USB 2.0 device that provides eight  $\pm 60$  VDC channel-to-channel isolated digital inputs (DI), eight 60 VDC/30 Vrms channel-to-channel isolated solid-state relay (SSR) outputs, and a 32-bit counter.

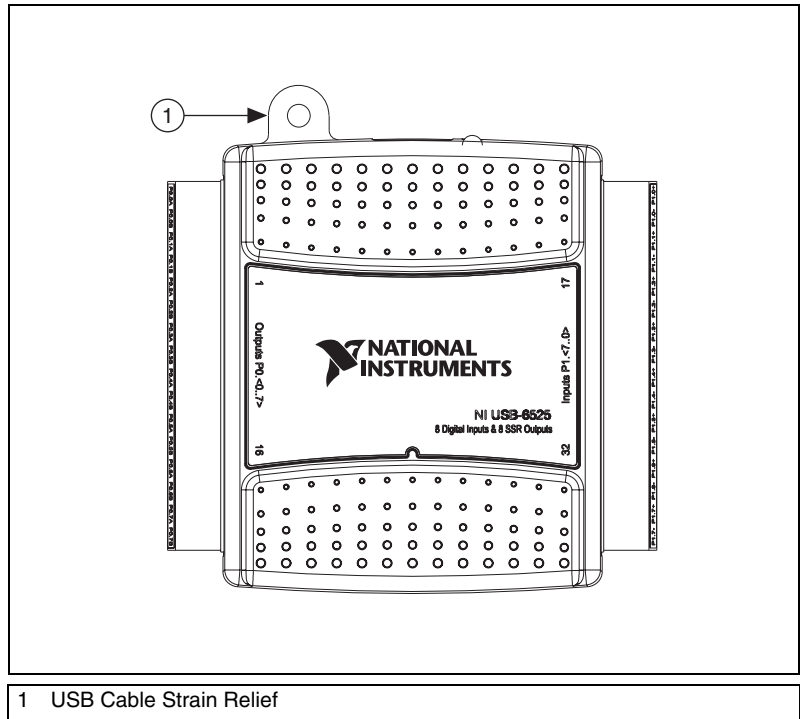
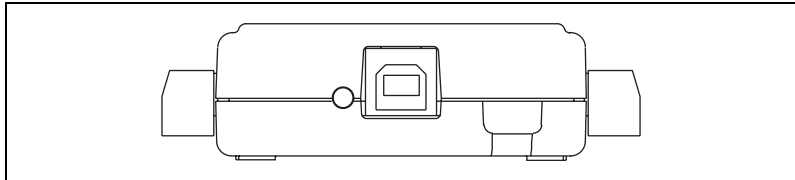


Figure 1. USB-6525 Top View



**Figure 2.** USB-6525 Back View

## Installing Software

Software support for the USB-6525 for Windows 2000/XP is provided by NI-DAQmx.

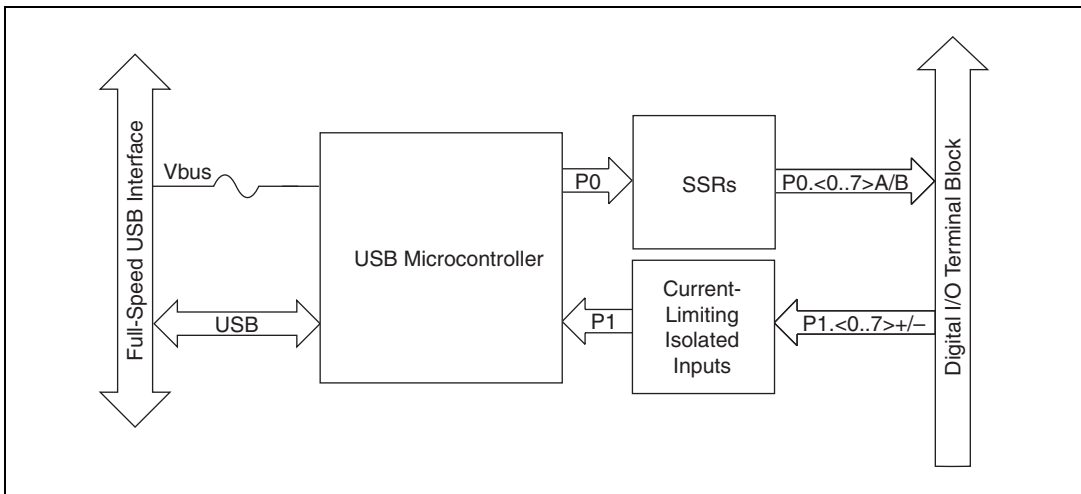
The NI-DAQmx CD contains example programs that you can use to get started programming with the USB-6525. Refer to the *NI-DAQmx for USB Devices Getting Started Guide*, that shipped with your device and is also accessible from **Start»All Programs»National Instruments»NI-DAQ** for more information.



**Note** For information about non-Windows operating system support, refer to [ni.com/info](http://ni.com/info) and enter rddq1d.

## Hardware

The block diagram in Figure 3 shows key functional components of the USB-6525.



**Figure 3.** USB-6525 Block Diagram

Refer to the *Safety Guidelines* section of this document for important safety information.

## Setting Up Hardware

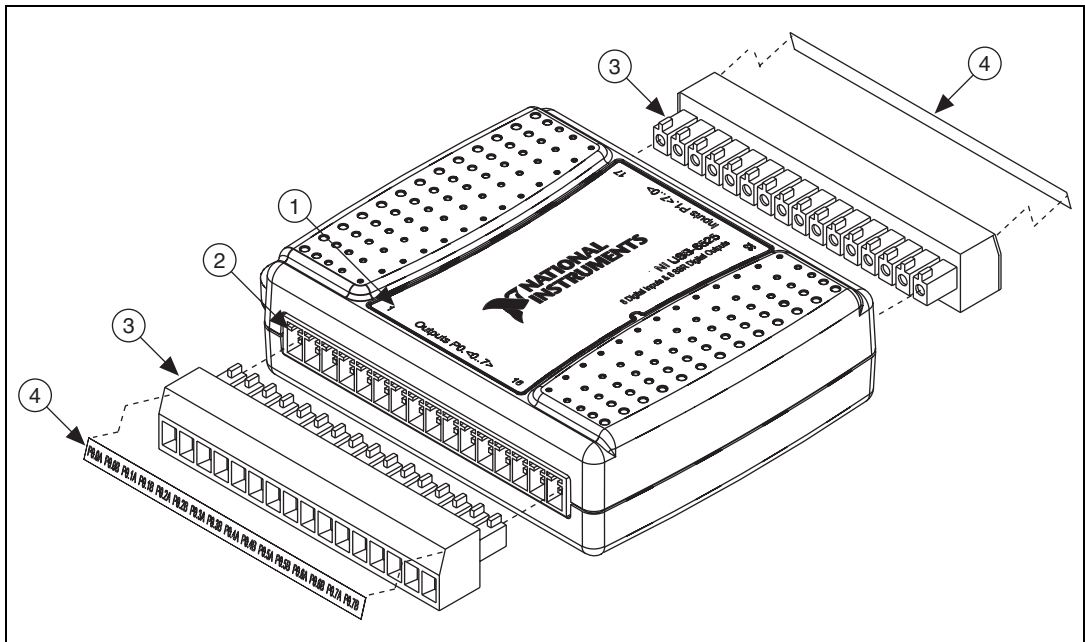
Complete the following steps to set up the hardware:

1. Install combicon screw terminal blocks by inserting them into the combicon jacks.



**Note** The USB-6525 kit ships with signal labels. You can apply the signal labels on the screw terminal blocks for easy signal identification.

2. Refer to Table 1 and Figure 4 for label orientation and affix provided signal labels to the screw terminal blocks. Insert the screw terminal blocks into their respective matching combicon jacks. Refer to Figure 4 for more information about signal label orientation.



1 Overlay Label with Pin Orientation Guides  
2 Combicon Jack

3 Screw Terminal Blocks  
4 Signal Labels

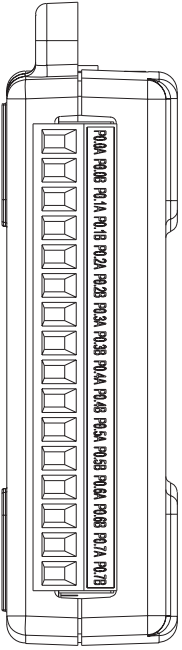
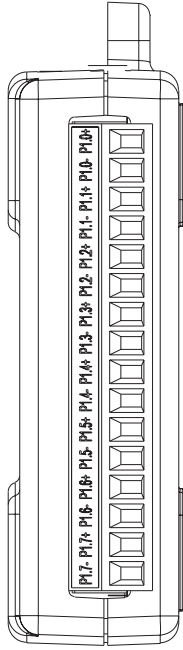
**Figure 4.** Signal Label Application Diagram

3. Connect the wiring to the appropriate screw terminals.

# I/O Connector

The USB-6525 device ships with two detachable terminal blocks for digital signals. Each individual terminal accepts a wire gauge between 16 AWG–28 AWG.

**Table 1.** Digital Terminal Assignments

Module	Terminal	Signal	Module	Terminal	Signal
	1	P0.0A		17	P1.0+
	2	P0.0B		18	P1.0-
	3	P0.1A		19	P1.1+
	4	P0.1B		20	P1.1-
	5	P0.2A		21	P1.2+
	6	P0.2B		22	P1.2-
	7	P0.3A		23	P1.3+
	8	P0.3B		24	P1.3-
	9	P0.4A		25	P1.4+
	10	P0.4B		26	P1.4-
	11	P0.5A		27	P1.5+
	12	P0.5B		28	P1.5-
	13	P0.6A		29	P1.6+
	14	P0.6B		30	P1.6-
	15	P0.7A		31	P1.7+/PFI 0+
	16	P0.7B		32	P1.7-/PFI 0-

## Signal Descriptions

Table 2 describes the signals available on the I/O connectors.

**Table 2.** Signal Descriptions

Signal Name	Direction	Description
P0.<0..7>A/B	Output	Solid-state relay 60 VDC/30 Vrms (42.4 V <sub>pk</sub> ) output
P1.<0..6>+/-	Input	±60 VDC digital input. P1.<0..6>+ corresponds to the positive input terminal. P1.<0..6>- corresponds to the negative input terminal.
P1.7+/- or PFI 0+/-	Input	This channel is configurable as either a digital input or an event counter. <b>Digital Input Signal</b> —±60 VDC digital input. P1.7+ corresponds to the positive input terminal. P1.7- corresponds to the negative input terminal. <b>CTR</b> —As a counter, this signal can be used as an event counter input source. PFI 0+ corresponds to the positive counter terminal. PFI 0- corresponds to the negative counter terminal.

## Digital I/O

USB-6525 has eight channel-to-channel optically isolated inputs, P1.<0..7>, and eight channel-to-channel optically isolated solid-state relay outputs, P0.<0..7>. P1.7/PFI 0 can also function as a 32-bit counter. Refer to the [Event Counter](#) section for more information about the counter.

## Optically Isolated Inputs

The USB-6525 provides eight channels of isolated digital inputs. These inputs consist of an optocoupler, a depletion-mode MOSFET-based current-limiting circuit, and Schottky diode.

Each channel has its own positive and negative terminals. The input range on the channels is -60 VDC to +60 VDC.

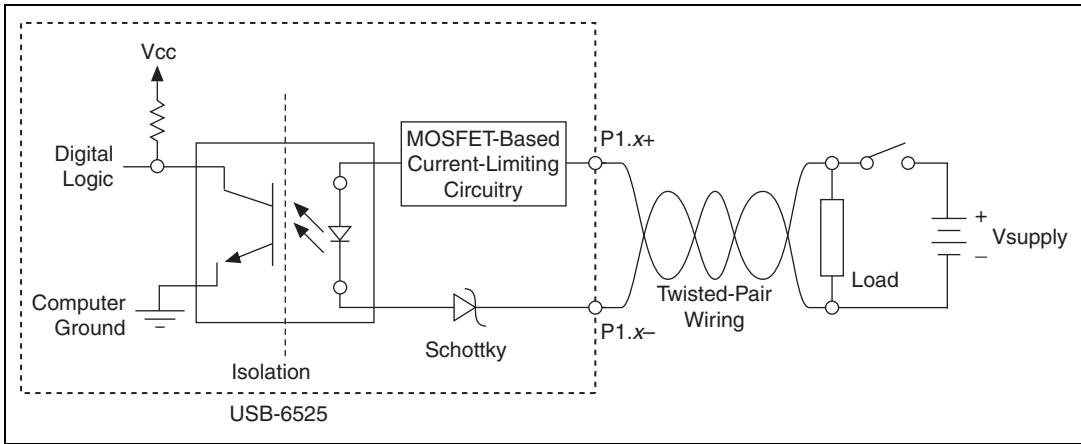
## Sensing DC Voltages

The USB-6525 detects a wide range of DC signals, from TTL-like logic levels to DC power supply levels up to 60 V.

Applying a DC voltage of at least 3.2 V across two input terminals registers logic high. Applying no voltage or a voltage difference of 1 V or less registers logic low. DC voltages between 1 V and 3.2 V may not register a consistent or usable value.

## Signal Connection Example

Figure 5 shows signal connections for a power supply and load connected to an isolated input.



**Figure 5.** Connecting a Power Supply and Load to the Isolated Input



**Caution** Use twisted-pair field wiring to reduce EMC noise.

In Figure 5, the USB-6525 is sensing a powered load that is connected to the power supply through a switch.

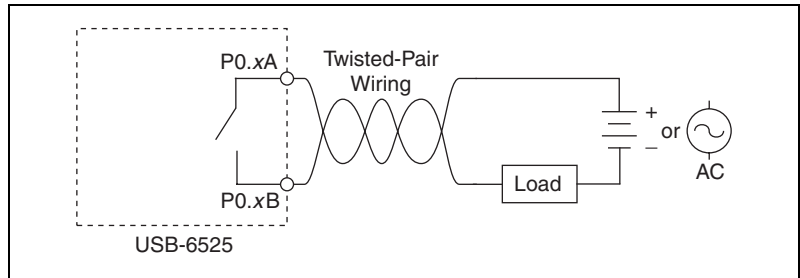


**Note** Power supplies must be within the USB-6525 device range. Refer to the [Specifications](#) section for information about these ranges.

When the switch is open, no current flows through the load and no voltage is applied to the load or to the USB-6525 input. The digital logic of the USB-6525 then registers a logic low for the channel. When the switch is closed, current flows through both the load and the USB-6525 optocoupler, and the USB-6525 registers a logic high for the channel.

## Solid-State Relay (SSR) Outputs

You can connect loads to the USB-6525. Connect the load to one of the leads of the power source. Connect either the P0.xA or the P0.xB terminal to the load and the other terminal to the other lead of the AC or DC power source. Figure 6 shows a possible configuration where the load is connected to the P0.xB terminal and the DC or AC power source.



**Figure 6.** Connecting a Load to the USB-6525



**Caution** Use twisted-pair field wiring to reduce EMC noise.

## Power-On and Power-Off Conditions

The default power-on state of the solid-state relays is open. By default, the solid-state relays remain open when the chassis and the USB-6525 device are powered off.

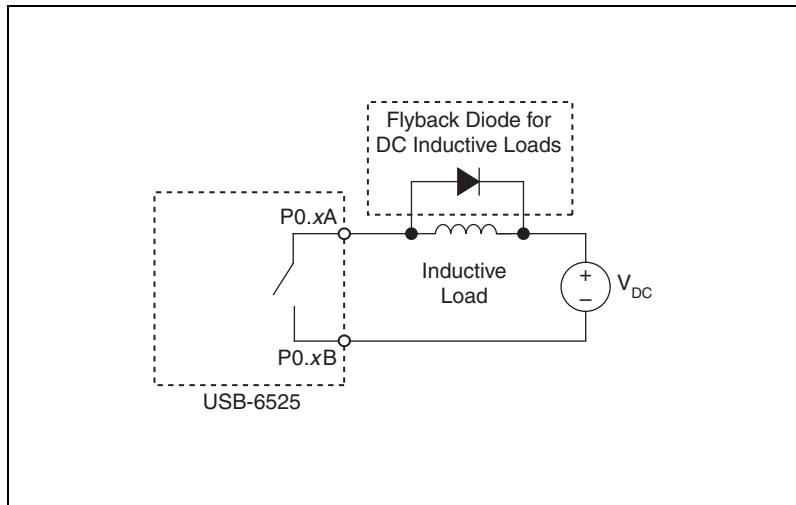
## Protecting Inductive Loads

When inductive loads are connected to the USB-6525 SSR outputs, a large counter-electromotive force may occur at switching time because of the energy stored in the inductive load. These flyback voltages can damage the SSR outputs and/or the external power supply.

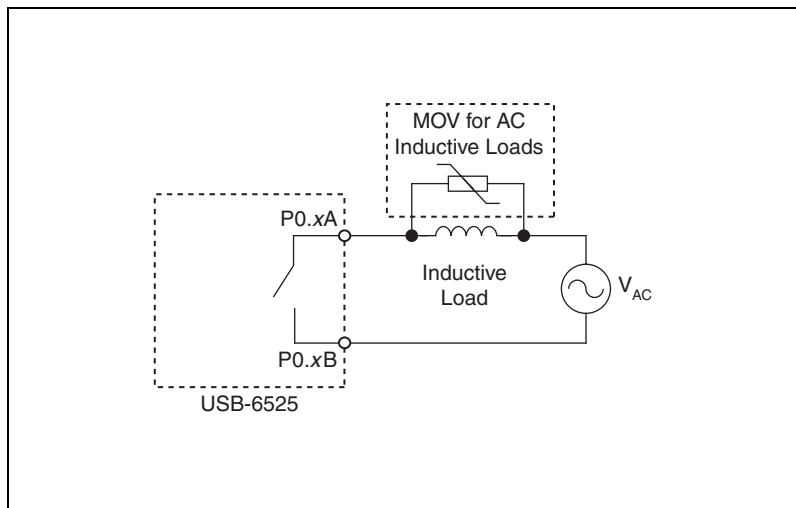
Limit flyback voltages at your inductive load by installing one of the following:

- For DC loads—Install a flyback diode within 18 in. of the load.
- For AC loads—Install a metal oxide varistor (MOV) rated for 30 V<sub>rms</sub> or slightly higher.

Figures 7 and 8 show examples of using an external flyback diode to protect DC inductive loads and an MOV to protect AC inductive loads, respectively.



**Figure 7.** Contact Protection for DC Inductive Loads

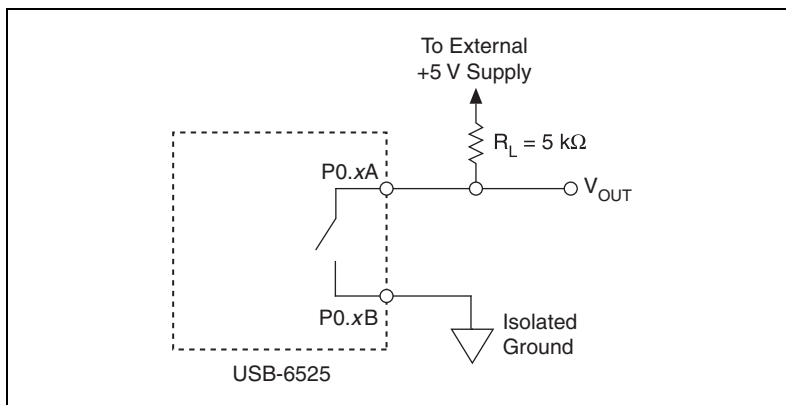


**Figure 8.** Contact Protection for AC Inductive Loads



## Using the USB-6525 as a TTL Output Device

Figure 9 shows a signal connection example for a TTL-level application with an external supply voltage of +5 V.



**Figure 9.** TTL Device Signal Connection Example

When the SSR is open, a small amount of current flows through  $R_L$  and the output voltage is close to 5 V, a logic high. When the SSR is closed, current flows through  $R_L$  and the output voltage is close to 0 V, a logic low.

Choose an  $R_L$  value small enough to provide the necessary source current but large enough to reduce sink current and to avoid consuming unnecessary power. Many TTL-level applications use an  $R_L$  value of 5 k $\Omega$ .

## Event Counter

You can configure PFI 0 (an alias to P1.7) as the source for a 32-bit counter. In this mode, the device counts low to high transitions on P1.7. The counter can be armed and disarmed and the count can be read or reset through software. For more information about event timing requirements, refer to the *Specifications* section. Refer to your software documentation for more information about counter programming techniques.

## Specifications

The following specifications are typical at 25 °C, unless otherwise noted.

### Isolated Inputs

Number of input channels ..... 8, ch-ch isolated

Input voltage range..... –60 VDC to 60 VDC

Level	Min	Max
Input low voltage	-60 VDC	1 VDC
Input high voltage	3.2 VDC	60 VDC

Input current .....3.0 mA/channel max

## Solid-State Relay Outputs

Number of output channels.....8, ch-ch isolated

Relay type .....Normally open solid-state relay (SSR)

Switching voltage .....60 VDC/30 Vrms max

Switching current (per channel).....500 mA max, full operation temperature range

Switching rate (90% duty cycle) .....5 operations per second

Relay open time .....60  $\mu$ s typ

Relay close time.....1.2 ms typ

On resistance.....550 m $\Omega$  max

Off state leakage .....0.6  $\mu$ A typ

## Counter

Number of counters .....1 (P1.7 can be configured as a counter)

Resolution .....32 bits

Counter measurements .....Rising edge counting

Maximum input frequency .....5 KHz

Minimum high pulse width.....20  $\mu$ s

Minimum low pulse width.....180  $\mu$ s

## Bus Interface

USB specification .....USB 2.0 full-speed (12 Mb/s)

## Power Requirements

### USB

Input voltage .....	4.5 to 5.25 VDC in configured state
Active current .....	150 mA max
Suspend current.....	350 $\mu$ A typ

## Physical Characteristics

### Dimensions

Without connectors .....	6.35 cm $\times$ 8.51 cm $\times$ 2.31 cm (2.50 in. $\times$ 3.35 in. $\times$ 0.91 in.)
With connectors .....	8.18 cm $\times$ 8.51 cm $\times$ 2.31 cm (3.22 in. $\times$ 3.35 in. $\times$ 0.91 in.)

I/O connectors ..... USB series B receptacle,  
(2) 16 position (screw terminal)  
plug headers

Screw-terminal wiring..... 16 to 28 AWG copper conductor  
wire with 10 mm (0.39 in.) of  
insulation stripped from the end

Torque for screw terminals ..... 0.22 – 0.25 N  $\cdot$  m  
(2.0 – 2.2 lb  $\cdot$  in.)

### Weight

With connectors .....	Approx. 87 g (3.1 oz)
Without connectors .....	Approx. 64 g (2.3 oz)

## Safety

### Standards

The USB-6525 is designed to meet the requirements of the following standards of safety for electrical equipment for measurement, control, and laboratory use:

- IEC 61010-1, EN 61010-1
- UL 61010-1, CSA 61010-1



**Note** For UL and other safety certifications, refer to the product label, or visit [ni.com/certification](http://ni.com/certification), search by model number or product line, and click the appropriate link in the Certification column.

## Isolation

Channel-to-channel.....60 VDC continuous

Channel-to-earth ground.....60 VDC continuous

Withstand.....60 VDC continuous



**Caution** Do not use this module for connection to signals or for measurements within Measurement Categories II, III, or IV.

## Hazardous Locations

The USB-6525 is not certified for use in hazardous locations.

## Environmental

The USB-6525 device is intended for indoor use only.

Operating temperature

(IEC 60068-2-1 and IEC 60068-2-2).....0 to 55 °C

Operating humidity

(IEC 60068-2-56) .....10 to 90% RH, noncondensing

Maximum altitude.....2,000 m (at 25 °C ambient temperature)

Storage temperature

(IEC 60068-2-1 and IEC 60068-2-2).....-40 to 85 °C

Storage humidity

(IEC 60068-2-56) .....5 to 90% RH, noncondensing

Pollution Degree (IEC 60664).....2

## Electromagnetic Compatibility

This product is designed to meet the requirements of the following standards of EMC for electrical equipment for measurement, control, and laboratory use:

- EN 61326 EMC requirements; Minimum Immunity
- EN 55011 Emissions; Group 1, Class A
- CE, C-Tick, ICES, and FCC Part 15 Emissions; Class A



**Note** For EMC compliance, operate this device according to product documentation.

## CE Compliance

This product meets the essential requirements of applicable European Directives, as amended for CE marking, as follows:

- 73/23/EEC; Low-Voltage Directive (safety)
- 89/336/EEC; Electromagnetic Compatibility Directive (EMC)



**Note** Refer to the Declaration of Conformity (DoC) for this product for any additional regulatory compliance information. To obtain the DoC for this product, visit [ni.com/certification](http://ni.com/certification), search by model number or product line, and click the appropriate link in the Certification column.

## Waste Electrical and Electronic Equipment (WEEE)



**EU Customers** At the end of their life cycle, all products *must* be sent to a WEEE recycling center. For more information about WEEE recycling centers and National Instruments WEEE initiatives, visit [ni.com/environment/weee.htm](http://ni.com/environment/weee.htm).

## Safety Guidelines

---



**Caution** Operate the hardware only as described in these operating instructions.

The following section contains important safety information that you must follow when installing and using the USB-6525.

Do not operate the USB-6525 in a manner not specified in this document. Misuse of the device can result in a hazard. You can compromise the safety protection built into the device if the device is damaged in any way. If the device is damaged, contact National Instruments for repair.

Do not substitute parts or modify the device except as described in this document. Use the device only with the chassis, modules, accessories, and cables specified in the installation instructions. You must have all covers and filler panels installed during operation of the device.

Do not operate the device in an explosive atmosphere or where there may be flammable gases or fumes. If you must operate the device in such an environment, it must be in a suitably rated enclosure.

If you need to clean the device, use a dry cloth. Make sure that the device is completely dry and free from contaminants before returning it to service.

Operate the device only at or below Pollution Degree 2. Pollution is foreign matter in a solid, liquid, or gaseous state that can reduce dielectric strength or surface resistivity. The following is a description of pollution degrees:

- Pollution Degree 1 means no pollution or only dry, nonconductive pollution occurs. The pollution has no influence.
- Pollution Degree 2 means that only nonconductive pollution occurs in most cases. Occasionally, however, a temporary conductivity caused by condensation must be expected.
- Pollution Degree 3 means that conductive pollution occurs, or dry, nonconductive pollution occurs that becomes conductive due to condensation.

You must insulate signal connections for the maximum voltage for which the device is rated. Do not exceed the maximum ratings for the device. Do not install wiring while the device is live with electrical signals. Do not remove or add connector blocks when power is connected to the system. Avoid contact between your body and the connector block signal when hot swapping modules. Remove power from signal lines before connecting them to or disconnecting them from the device.

Operate the device at or below the Measurement Category I<sup>1</sup>. Measurement circuits are subjected to working voltages<sup>2</sup> and transient stresses (overvoltage) from the circuit to which they are connected during measurement or test. Measurement categories establish standard impulse withstand voltage levels that commonly occur in electrical distribution systems. The following is a description of measurement categories:

- Measurement Category I is for measurements performed on circuits not directly connected to the electrical distribution system referred to as MAINS<sup>3</sup> voltage. This category is for measurements of voltages from specially protected secondary circuits. Such voltage measurements include signal levels, special equipment, limited-energy parts of equipment, circuits powered by regulated low-voltage sources, and electronics.
- Measurement Category II is for measurements performed on circuits directly connected to the electrical distribution system. This category refers to local-level electrical distribution, such as that provided by a standard wall outlet (for example, 115 V for U.S. or 230 V for Europe). Examples of Measurement Category II are measurements performed on household appliances, portable tools, and similar USB devices.

---

<sup>1</sup> Measurement Category as defined in electrical safety standard IEC 61010-1. Measurement Category is also referred to as Installation Category.

<sup>2</sup> Working Voltage is the highest rms value of an AC or DC voltage that can occur across any particular insulation.

<sup>3</sup> MAINS is defined as a hazardous live electrical supply system that powers equipment. Suitably rated measuring circuits may be connected to the MAINS for measuring purposes.

- Measurement Category III is for measurements performed in the building installation at the distribution level. This category refers to measurements on hard-wired equipment such as equipment in fixed installations, distribution boards, and circuit breakers. Other examples are wiring, including cables, bus-bars, junction boxes, switches, socket-outlets in the fixed installation, and stationary motors with permanent connections to fixed installations.

Measurement Category IV is for measurements performed at the primary electrical supply installation (<1,000 V). Examples include electricity meters and measurements on primary overcurrent protection devices and on ripple control units.

## Where to Go for Support

---

The National Instruments Web site is your complete resource for technical support. At [ni.com/support](http://ni.com/support) you have access to everything from troubleshooting and application development self-help resources to email and phone assistance from NI Application Engineers.

A Declaration of Conformity (DoC) is our claim of compliance with the Council of the European Communities using the manufacturer's declaration of conformity. This system affords the user protection for electronic compatibility (EMC) and product safety. You can obtain the DoC for your product by visiting [ni.com/certification](http://ni.com/certification). If your product supports calibration, you can obtain the calibration certificate for your product at [ni.com/calibration](http://ni.com/calibration).

National Instruments corporate headquarters is located at 11500 North Mopac Expressway, Austin, Texas, 78759-3504. National Instruments also has offices located around the world to help address your support needs. For telephone support in the United States, create your service request at [ni.com/support](http://ni.com/support) and follow the calling instructions or dial 512 795 8248. For telephone support outside the United States, contact your local branch office:

Australia 1800 300 800, Austria 43 0 662 45 79 90 0,  
Belgium 32 0 2 757 00 20, Brazil 55 11 3262 3599,  
Canada 800 433 3488, China 86 21 6555 7838,  
Czech Republic 420 224 235 774, Denmark 45 45 76 26 00,  
Finland 385 0 9 725 725 11, France 33 0 1 48 14 24 24,  
Germany 49 0 89 741 31 30, India 91 80 51190000,  
Israel 972 0 3 6393737, Italy 39 02 413091, Japan 81 3 5472 2970,  
Korea 82 02 3451 3400, Lebanon 961 0 1 33 28 28,  
Malaysia 1800 887710, Mexico 01 800 010 0793,  
Netherlands 31 0 348 433 466, New Zealand 0800 553 322,

Norway 47 0 66 90 76 60, Poland 48 22 3390150,  
Portugal 351 210 311 210, Russia 7 495 783 68 51,  
Singapore 1800 226 5886, Slovenia 386 3 425 42 00,  
South Africa 27 0 11 805 8197, Spain 34 91 640 0085,  
Sweden 46 0 8 587 895 00, Switzerland 41 56 200 51 51,  
Taiwan 886 02 2377 2222, Thailand 662 278 6777,  
United Kingdom 44 0 1635 523545

National Instruments, NI, ni.com, and LabVIEW are trademarks of National Instruments Corporation. Refer to the *Terms of Use* section on [ni.com/legal](http://ni.com/legal) for more information about National Instruments trademarks. Other product and company names mentioned herein are trademarks or trade names of their respective companies. For patents covering National Instruments products, refer to the appropriate location: **Help»Patents** in your software, the `patents.txt` file on your CD, or [ni.com/patents](http://ni.com/patents).



## Free Manuals Download Website

<http://myh66.com>

<http://usermanuals.us>

<http://www.somanuals.com>

<http://www.4manuals.cc>

<http://www.manual-lib.com>

<http://www.404manual.com>

<http://www.luxmanual.com>

<http://aubethermostatmanual.com>

Golf course search by state

<http://golfingnear.com>

Email search by domain

<http://emailbydomain.com>

Auto manuals search

<http://auto.somanuals.com>

TV manuals search

<http://tv.somanuals.com>