

The DP8400 Family of Memory Interface Circuits

National Semiconductor
Application Note 302
Charles Carinalli
Mike Evans
February 1986



INTRODUCTION

The rapid development in dynamic random access memory (DRAM) chip storage capability, coupled with significant component cost reductions, has allowed designers to build large memory arrays with high performance specifications. However, the development of memory arrays continues to have a common set of problems generated by the complex timing and refresh requirements of DRAMs. These include: how to quickly drive the memories to take advantage of their speed, minimization of board space required by the support circuitry and the need for error detection and correction. Unfortunately, these problems must be addressed with each new system design. Full system solutions will vary greatly, depending on the DRAM array size, memory speed, and the processor.

This application note introduces a complete family of DRAM support circuits that provides a straightforward solution to the above problems while allowing a high degree of flexibility in application with little or no performance penalty. The DP8400 family (Table I) includes DRAM controllers, error detection/correction circuits, octal address buffers and system control circuits. The LSI blocks are designed with flexible interfaces, making application possible with all existing DRAMs including the recently announced 1 Mbit devices. Additionally, interface is easy to all popular microprocessors with memory word widths possible from 8 to 80 bits.

TABLE I. DP8400 Family Members

DP8400-2, DP8402A	16 and 32 Bit Error Checker/Correctors
DP8408A, DP8409A, DP8417, DP8418, DP8419, DP8428, DP8429	DRAM Controller/Drivers
DP8420, DP84244	DRAM Buffer Drivers
DP84XX2	Microprocessor Interface Circuits

FULL FUNCTION DRAM CONTROLLER

The heart of any DRAM array design is the controller function. Previous LSI controllers supplied a minimum function of address multiplexing with an on-board refresh counter. This required external delay line timing and logic to control memory access, additional logic to perform memory refresh, and external drivers to drive the capacitive memory array. The complete solution results in significant access delay in relation to DRAM speeds and skews in output sequencing, as well as a large component count.

A previous LSI solution brought much of this logic on-chip. However, it is limited in application to certain microprocessors and has the disadvantage of all access timing originating from an external clock, whose phase uncertainty generates a delay in actually knowing when an access has started.

The DP8409A multi-mode dynamic RAM controller/driver was the first controller to resolve all of these problems. This Schottky bipolar device provides the flexibility of external access control, along with automatic access timing generation, without the need for an external timing generator clock. In addition, on-board capacitive drivers allow direct drive for over 88 DRAMs. With the simple addition of refresh clocks, the circuit can perform hidden refresh automatically. It is the DP8409A design that has been used as the spring board for a whole family of controllers with faster speed performance while maintaining maximum pin upgrade compatibility.

All Control On-Chip

Figure 1 is a block diagram of the DP8409A. the ADS input strobes the parallel memory address into the row latches R0-8, the column latches C0-8, and bank select B0 and B1. The nine output drivers may be multiplexed between the row or column input latches, or the 9-bit on-chip refresh counter. One of four \overline{RAS} outputs is selected during an access cycle by setting the bank select inputs B0 or B1. All four \overline{RAS} outputs are active during refresh. Either external or automatic control is available on-chip for the CAS output, while an on-chip buffer is provided to minimize skew associated with WE output generation.

All DRAM address and control outputs on the DP8409A can directly drive in excess of 500 pF, or the equivalent of 88 DRAMs (4 banks of 22 DRAMs). All output drivers are closely matched, significantly reducing output skew. Each output stage has symmetrical high and low logic level drive capability, insuring matched rise and fall time characteristics.

Flexibility and Upgradability to 256k or 1 Mbit DRAMs

The 9 multiplexed address outputs and 9-bit internal refresh counter of the DP8409A direct addressing capability for 256k DRAMs. Careful design of memory boards, using 64k DRAMs with the DP8409A, insures direct upgradability to 256k DRAMs. This can be done by simply allowing for board address extension by two bits and designing the ninth address trace (Q8) of the DP8409A to connect to pin 1 of the DRAMs (A8). This is, in general, a non-connected pin in 64ks and the ninth address in 256ks. All that need be done is to remove the 64ks and replace them with 256ks, thereby increasing the memory on the same board by a 4 to 1 ratio. The resulting development cost saving can be significant.

Although the new 1 Mbit DRAMs require the larger 18 pin package, which will require a memory board redesign, upgrading the controller portion of the board may need no redesign when converting from the DP8409A or DP8419 to the new DP8429 1 Mbit DRAM controller driver.

Three mode pins (M0, M1 and M2) offer externally selectable modes of operation, a key reason for the DP8409A's application flexibility (Table II). The operational modes are divided between external and automatic memory control.

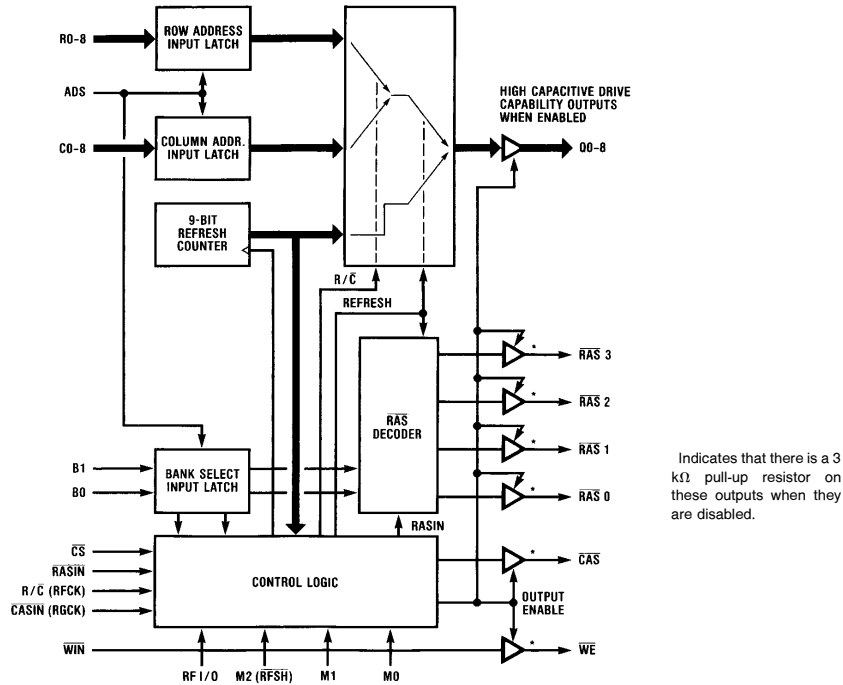


FIGURE 1. DP8409A Block Diagram

TL/F/5012-1

TABLE II. DP8409A Mode Select Options

Mode	($\overline{\text{RFSH}}$) M2	M1	M0	Mode of Operation	Conditions
0	0	0	0	Externally Controlled Refresh	$\text{RF I/O} = \overline{\text{EOC}}$
1	0	0	1	Auto Refresh—Forced	$\text{RF I/O} = \text{Refresh Request (RFRQ)}$
2	0	1	0	Internal Auto Burst Refresh	$\text{RF I/O} = \overline{\text{EOC}}$
3a	0	1	1	All $\overline{\text{RAS}}$ Auto Write	$\text{RF I/O} = \overline{\text{EOC}}$
3b	0	1	1	Externally Controlled All $\overline{\text{RAS}}$ Access	All $\overline{\text{RAS}}$ Active
4	1	0	0	Externally Controlled Access	
5	1	0	1	Auto Access, Slow t_{RAH} , Hidden Refresh	
6	1	1	0	Auto Access, Fast t_{RAH}	
7	1	1	1	Set End of Count	

Modes 0, 3b, and 4 provide full control of access and refresh for systems with external memory controllers or for special purpose applications. Here all timing can be directly controlled by the external system as shown in Figure 2.

Modes 1, 5 and 6 provide on-chip automatic access sequencing with hidden refresh capability. A graphic example of the automatic access modes of the DP8409A is shown in Figure 3. All DRAM access timing and control is generated from one input strobe, $\overline{\text{RASIN}}$; no external clock is required. On-chip delays insure proper address and control sequencing once the valid parallel address is presented to the fall-through input latches of the DP8409A. When the $\overline{\text{RASIN}}$ transitions high-to-low, the decoded $\overline{\text{RAS}}$ output transitions low, strobing the row address into the DRAM array. An on-chip delay automatically generates a guaranteed selectable (mode 5 or 6) row address hold time. At this point, the

DP8409A switches the address outputs from the row latch to the column latch. Then another on-chip delay generates a guaranteed column address set-up time before $\overline{\text{CAS}}$, so that the $\overline{\text{CAS}}$ output automatically strobes the column address into the DRAM array. Read or write cycles are controlled by the system through independent control of the $\overline{\text{WE}}$ buffer that is provided on-chip to minimize delay skewing. The automatic access mode makes the dynamic RAM appear static with respect to access timing. In this mode, only one signal, $\overline{\text{RASIN}}$, is needed after valid parallel addresses are presented to the DP8409A to initiate proper access sequencing. Access timing ($\overline{\text{RASIN}}$ to $\overline{\text{CAS}}$), with full output loading of 88 DRAMs in the auto access mode, is determined by the dash number given on the DP8409A data sheet. All performance characteristics are specified over the full operating temperature and supply ranges.

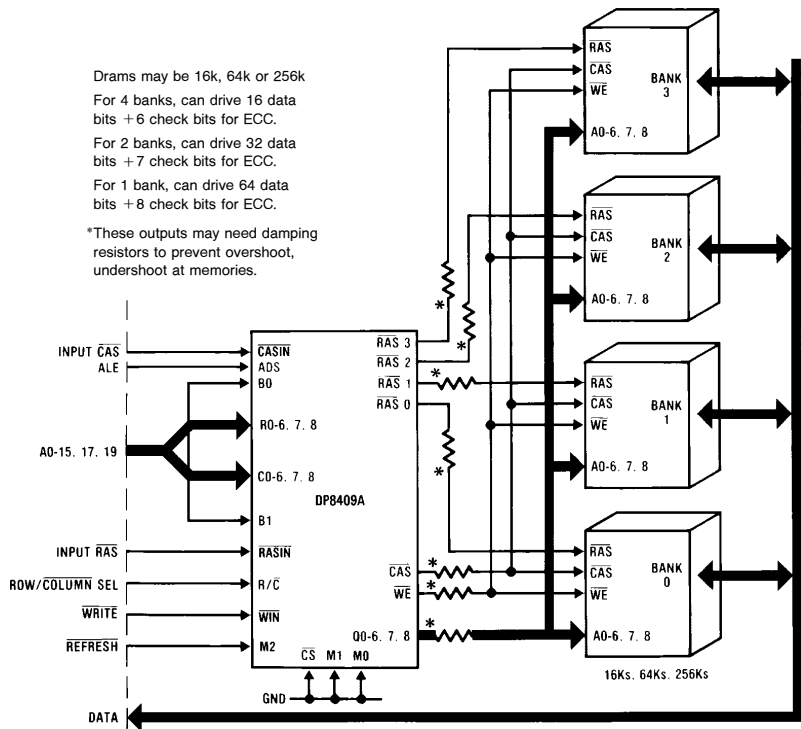


FIGURE 2. Typical Application of DP8409A Using External Control and Refresh in Modes 0 and 4

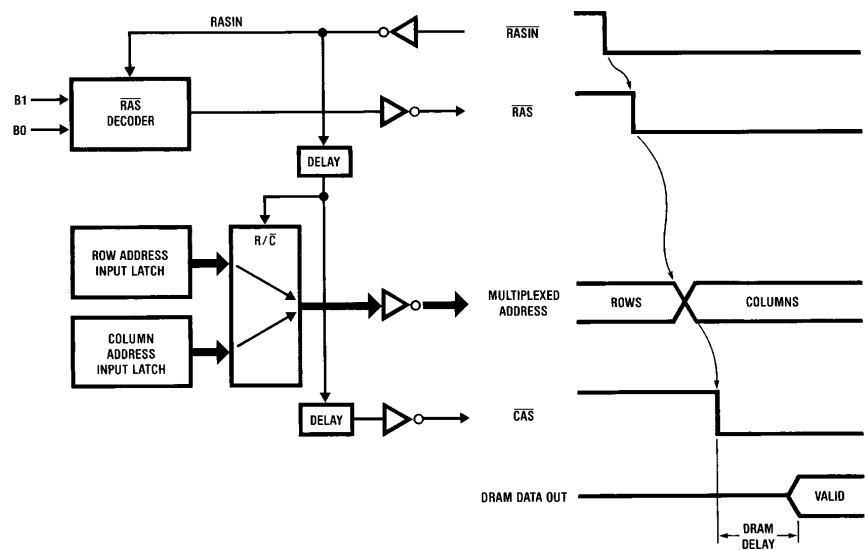


FIGURE 3. This figure demonstrates the automatic accessing capability of the DP8409A. Only one strobing edge, RASIN, is required for generation of all DRAM access timing signals. This is accomplished with on-chip delay generators, eliminating the need for external delay lines. No access timing clock is necessary.

Refreshing

The DP8409A also provides hidden refresh capability while in one of the automatic access modes (Figure 4). In this mode, it will automatically perform a refresh without the system being interrupted. To do this, the DP8409A requires two clock signals, refresh clock (RFCK) which defines the refresh period (usually 16 μ s), and $\overline{\text{RAS}}$ generator clock (RGCK), which is typically the microprocessor clock.

Highest priority is given to hidden refreshing through use of level sensing of RFCK. A refresh cycle begins when RFCK transitions to a high level. If during the time RFCK is high the DP8409A is deselected ($\overline{\text{CS}}$ in the high state) and the processor is accessing another portion of the system such as another memory segment, or ROM, or a peripheral, then a hidden refresh is performed. When a read or write cycle is initiated by the processor, the $\overline{\text{RASIN}}$ input on the DP8409A transitions low. With $\overline{\text{CS}}$ high, this causes the present state of the internal refresh counter to be placed on the address outputs, followed by the four $\overline{\text{RAS}}$ outputs transitioning low, strobing the refresh address into the DRAM array. When the cycle ends, $\overline{\text{RASIN}}$ will terminate, thus forcing the $\overline{\text{RAS}}$ outputs back to their inactive state and ending the hidden refresh. The refresh counter is then incremented and another microprocessor cycle can begin immediately. However, to save power, the DP8409A will allow only one hidden refresh to occur during a given RFCK cycle.

In the event that a hidden refresh does not occur, the DP8409A must force a refresh before the RFCK's next positive-going transition. The system is notified after the negative-going RFCK transition that a hidden refresh has not oc-

curred, via the refresh request output (RF I/O pin). The system acknowledges the request for a forced refresh by setting M2 (refresh) low on the DP8409A and preventing further access to the DP8409A. The DP8409A then uses RGCK to generate an automatic forced refresh. The refresh request pin then returns to the inactive state, and the DP8409A allows the processor to take full system control after the forced refresh has been completed.

OCTAL MEMORY DRIVERS

For those applications where the memory array is extremely large or the controller design is unique to a particular application requirement, specialized high capacitive load address and control buffers are required. However, like any other element in a DRAM system, selection of the improper driver can have significant impact on system performance.

In the past, this function has been performed using Schottky logic family circuits such as the DM74S240 octal inverter or the DM74S244 octal buffer. The output stages of these devices have good drive capability, but their performance with heavy capacitive loads is not ideal for DRAM arrays. The key disadvantage of these devices is their non-symmetrical rise and fall time characteristics and their long propagation delays with heavy load capacitance. The former is a result of impedance mismatch in the upper and lower output stages. The latter stems from process capability and circuit design techniques not tailored to the DRAM application. The combined result of all these factors is increased output skew in address and control lines when these devices are used as buffers.

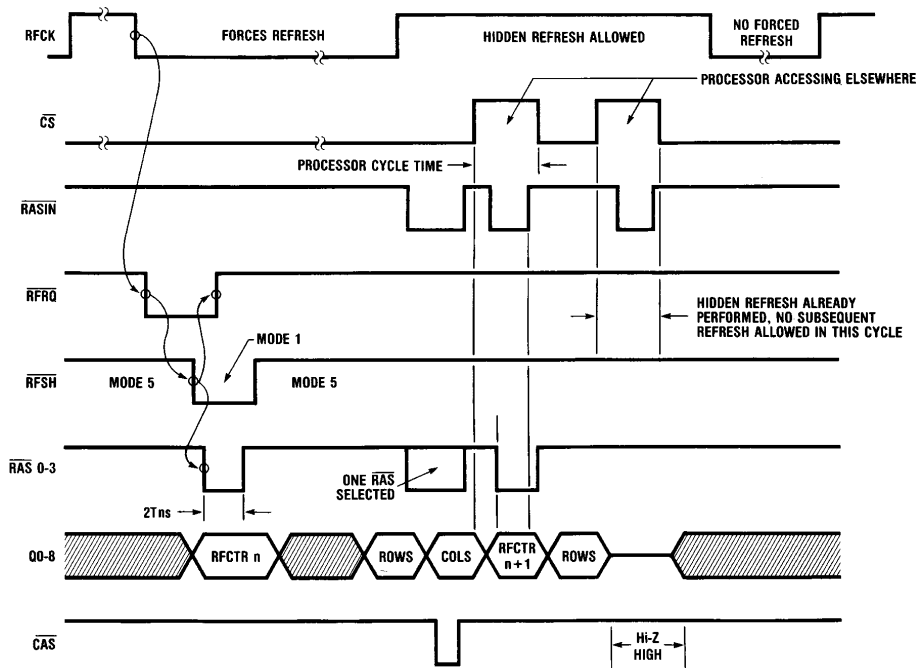


FIGURE 4. Hidden and Forced Refresh Timing of the DP8409A

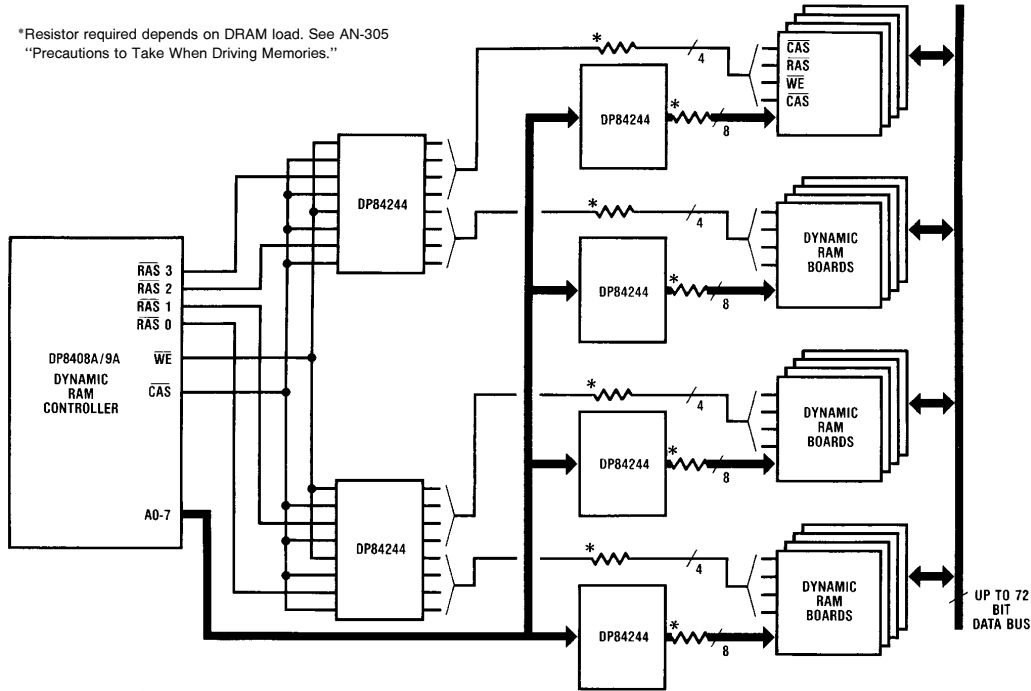
TL/F/5012-4

Two new devices are now available for this application. The DP84240 is pin and function compatible with the DM74S240. The DP84244 is likewise compatible with the DM74S244. However, this is where the similarity between the devices ends. Both the DP84240 and the DP84244 have been designed specifically to drive DRAM arrays. *Figure 5* shows a typical application of the DP84244, used in conjunction with the DP8409A, to drive a very large memory array.

Figures 6a, 6b show some typical performance curves for these circuits. Note that, at over 500 pF, the propagation delay through these drivers is on the order of 15 ns. This delay includes propagation delay and rise or fall time. Even

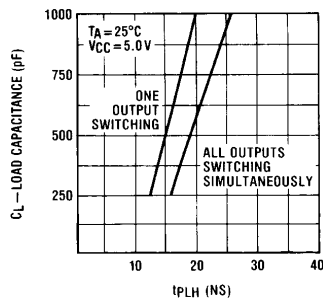
with this high speed, chip power dissipation is still maintained at a reasonable level as demonstrated by the graphs shown in *Figures 7a, 7b* of power versus frequency.

The DP84240 and the DP84244 are fabricated on a high performance oxide-isolated Schottky bipolar process. Special circuit techniques have been used to minimize internal delays and skews. Additionally, both rise and fall time characteristics track closely as a function of load capacitance. This has been accomplished through impedance matching of the upper and lower output stages. The result of these characteristics is a substantial reduction of skew in both the address and control lines to the DRAM array.



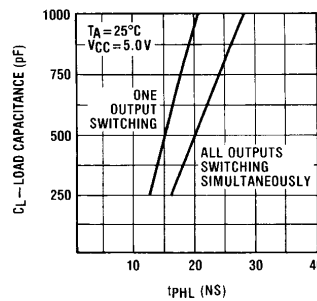
TL/F/5012-5

FIGURE 5. The DP84244 Used as a Buffer in a Large Memory Array (greater than 88 DRAMs) Controlled by the DP8409A



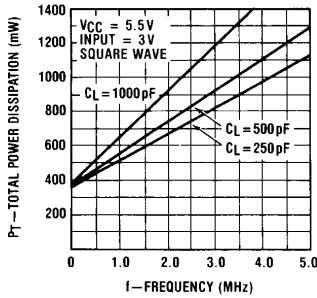
TL/F/5012-6

FIGURE 6a. t_{PLH} Measured to 2.7V on Output vs. C_L



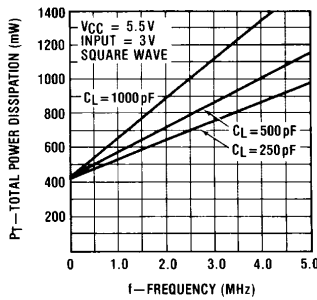
TL/F/5012-7

FIGURE 6b. t_{PHL} Measured to 0.8V on Output vs. C_L



TL/F/5012-8

FIGURE 7a. Typical Power Dissipation for DP84240 at $V_{CC} = 5.5V$ (All 8 drivers switching simultaneously)



TL/F/5012-9

FIGURE 7b. Typical Power Dissipation for DP84244 at $V_{CC} = 5.5V$ (All 8 drivers switching simultaneously)

The output stages of the DP84240 and the DP84244, although well matched, are relatively low impedance. Output impedance is under 10Ω . Some DRAM arrays will require the addition of damping resistors in series with the outputs of the drivers. These damping resistors are used to minimize undershoot which may have a harmful effect on the DRAMs if allowed to become large. This undershoot is caused by the high transient currents from the drivers necessary to drive the capacitive loads. These high currents pass through a distributed inductive/capacitive circuit created by the board traces and the DRAM load, causing the undershoot.

The damping resistor has specifically not been placed on-chip because its value is dependent on the DRAM array size and board layout. In fact, address lines will quite often require a different resistor value from the DRAM control lines. The resistor must be tuned for a particular board layout since too high a resistor will produce an excessively slow edge and too low a resistor will not remove the undershoot. Values for damping resistors may vary from 15Ω to 150Ω , depending on the application. Placing any value of damping resistor on-chip, other than a value less than the minimum, severely restricts the application of these high performance circuits.

Another key advantage of both the DP84240 and the DP84244 is their low input capacitance. Previous address buffer/drivers (such as the DM74S240/244) have high input capacitance. Fast edges at the inputs of these drivers become slower and distorted due to this dynamic input capacitance. This problem must be factored as an additional delay

through these drivers—a delay not shown by the data sheet specifications. Additionally, the problem becomes increasingly severe as multiple driver inputs are used in parallel for bus expansion applications.

Both the DP84240 and the DP84244 are designed to significantly reduce both static and dynamic input capacitance. When these devices are driven with standard logic circuits, no appreciable overhead delay need be added to the basic device delay specifications due to input pulse distortion.

ERROR CORRECTION

The determination of whether a DRAM system requires error correction must be resolved early in the system design. A positive answer to this question may have far-reaching impact on board development time and component cost. It is clear, however, that such a decision cannot be taken lightly.

The type and origin of errors in DRAM systems are many and can result from a number of sources (Table III). Current estimates of soft error rates due to alpha particles in 64k RAMs indicate some hope that these error rates will be similar or possibly better than those found in 16k DRAMs—but the facts are still somewhat unclear. However, it is clear that the use of 256k DRAMs and the introduction in the near future of 1 Mbit DRAMs with even smaller memory cells and greater chip densities will place a significant challenge on DRAM chip designers to keep these rates down. It is believed by some that error correction may become mandatory in future DRAM system designs. Currently, the decision to add error correction is not so straightforward. It depends on many factors, not the least of which is the end user's perception of its value to system uptime and reliability.

TABLE III. The Sources and Types of Memory Errors

Error Type	Sources	System Action
Soft	<ul style="list-style-type: none"> • Alpha Particles • System Noise • Chip Patterns • Power Glitches 	Temporary system error—may be overwritten with a low probability of repetition
Hard	<ul style="list-style-type: none"> • Stuck Memory Bit • Memory Chip Interface • Interface Circuit Failure 	Permanent failure—may act as logic 1 or 0

Generally, error correction will always be found in highly reliable systems during DRAMs, such as process control equipment, banking terminals, and military systems where high data integrity and minimum downtime are priorities. However, the importance of error correction has grown substantially, to the point that it is now used as selling feature in the vast majority of large memory-based systems. In fact, some major computer houses have adopted guidelines for use by their designers in the development of DRAM arrays. A somewhat common set has been found—if the memory array is on the order of $\frac{1}{4}$ million bytes, then word parity should be used. This permits the detection of single bit errors but does not allow error correction. When the total memory approaches $\frac{1}{2}$ million bytes, then double bit error detection and single bit error correction should be added.

The decision to add error correction to a system is costly, both in memory overhead and control hardware. Table IV

TABLE IV. Check Bit Overhead for Multiple Bit Error Detection and Single Bit Error Correction

Number of Bits in Memory Data Word	Number of Check Bits Required	Percentage of Excess Memory
8	5	63%
16	6	38%
24	6 (7)	25% (29%)
32	7	22%
48	7 (8)	15% (17%)
64	8	13%

Note: The number stated assumes the use of the DP8400; the number in parentheses is required by other error correction circuits.

lists the number of additional memory chips required to support single bit error correction and double bit error detection as a function of the memory data word width.

This table also shows the percentage of DRAM overhead required to implement this function. Adding error correction also increases the memory access delay, since the information contained in the overhead chips must be analyzed in each read and generated in each write operation.

DP8400 16-Bit Expandable Error Correction Chip

The DP8400 expandable error checker/corrector is shown in block diagram form in Figure 8. This circuit offers a high degree of flexibility in applications which range from 8-bit

to 80-bit data words. It is a 16-bit chip that is easily expandable with the simple addition of more DP8400s for each 16-bit word increment.

Figures 9a, 9b and 9c demonstrate its basic operation in the write and read memory access cycles. Figure 9a shows the normal write cycle, where system data is used by the DP8400 to generate parity bits, called check bits, based on certain combinations of the data bits. This combination is defined by the DP8400's matrix shown in Figure 10. Whenever a "1" occurs in any row, the corresponding input data bit at the top of the column helps determine the parity for that check bit labeled at the end of the row. These check bits are written along with the data at the same memory address. Also, during a memory write cycle the DP8400 checks system byte parity. This is parity associated with the data bytes transmitted between the processor and the memory card. This is an optional feature that may prove very valuable in multiple board memory systems.

Sometime later a read will occur at this same memory address. The reading of memory data may be performed in two ways, as shown in Figures 9b and 9c. In the read cycle, the DP8400 uses the data read from memory and internally regenerates check bits using the same matrix. These newly generated check bits are then compared (using X-OR gates) with the check bits read from memory to detect errors. The result of this comparison is called a syndrome word. Any differences in the generated versus read check bits will result in at least one syndrome bit true. This indicates an error in either the read data or check bit field or both.

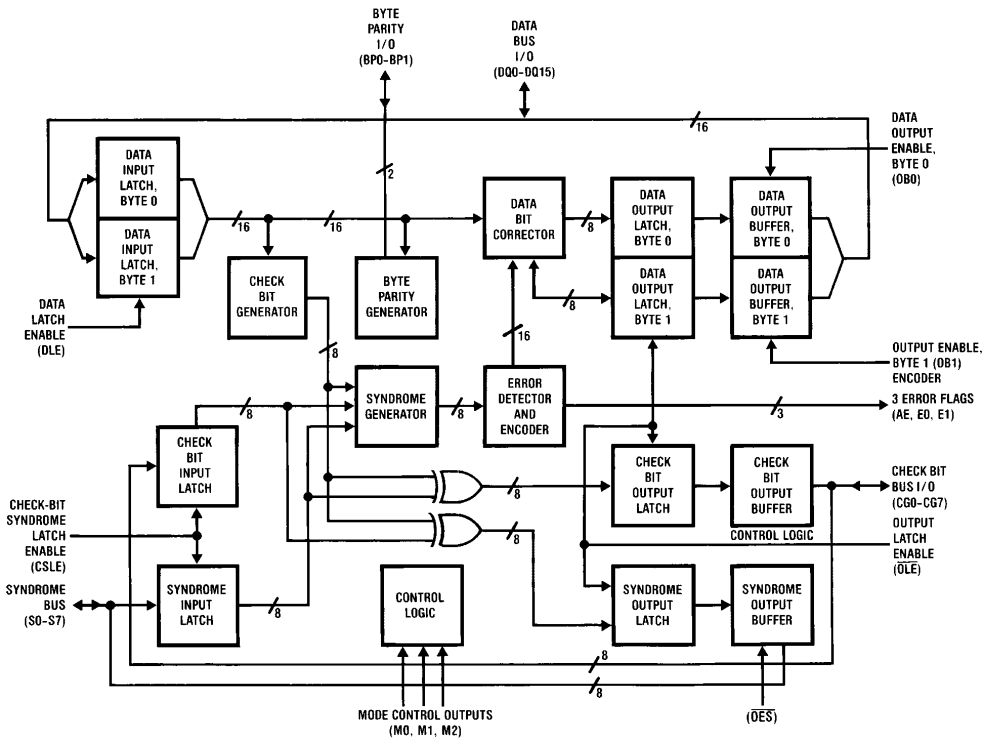


FIGURE 8. DP8400 Simplified Block Diagram

TL/F/5012-10

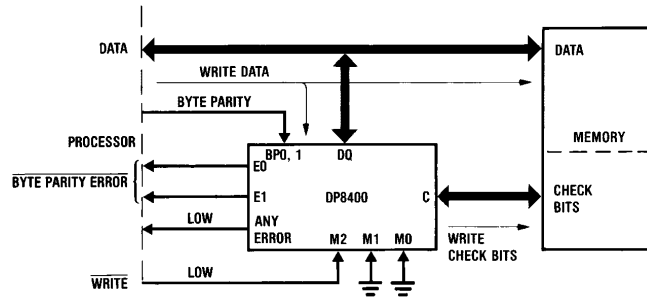


FIGURE 9a. Normal Write Mode with DP8400

TL/F/5012-11

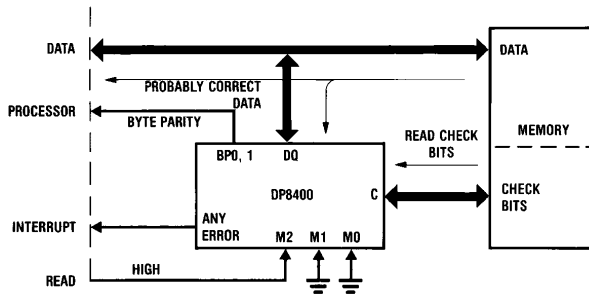


FIGURE 9b. Normal Read Mode Using the Error Monitoring Method with the DP8400

TL/F/5012-12

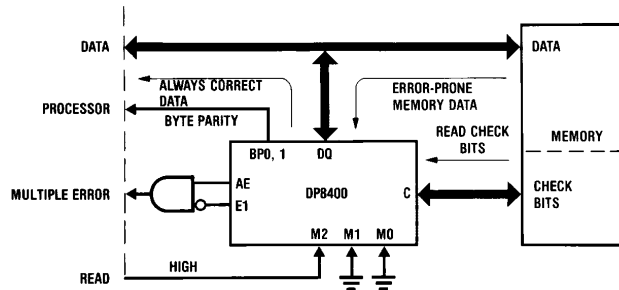


FIGURE 9c. Normal Read Mode Using the Always Correct Method with the DP8400

TL/F/5012-13

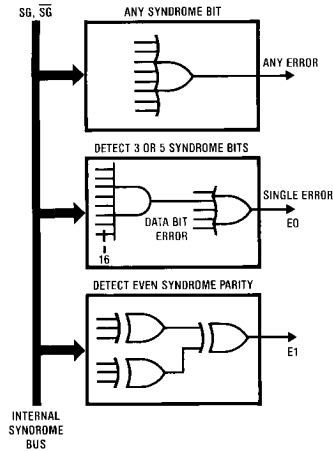
	0	1	2	3	4	5	6	7	8	9	0	1	2	3	4	5	} DQ0-15	
	GENERATE CHECK BITS																	
GENERATED SYNDROMES	0	0	0	1	1	1	1	1	1	0	1	1	1	0	1	1	1	} GENERATED CHECK BITS
	1	0	0	0	1	0	0	1	0	1	1	0	1	0	1	1	1	
	2	1	0	0	1	1	0	0	0	1	0	1	0	1	1	1	1	
	3	0	1	1	0	0	0	0	1	1	1	1	0	1	0	1	1	
	4	1	1	0	0	0	1	0	1	1	0	0	1	0	1	0	1	
	5	1	1	1	0	1	1	1	0	1	0	0	0	1	1	1	0	
	4	8	9	7	5	1	3	9	E	B	D	3	C	7	F	F	0	
	3	3	2	0	2	3	2	1	3	0	0	1	2	3	2	1	1	
	HEXADECIMAL EQUIVALENT OF SYNDROME BITS																	

*C2, C3 generate odd parity

FIGURE 10. DP8400 Matrix

TL/F/5012-14

A key advantage of the DP8400 is that it has three error flags detailing the type of error occurrence. These are generated using the syndrome word in the manner shown in *Figure 11*. The resulting error type identifications are shown in *Table V*. The three error flags allow complete error type identification, plus the unique determination of double bit errors, which will be key during the discussion of double bit error correction. Also, on a memory read, the DP8400 generates byte parity bits for transmission to the processor along with the data.



TL/F/5012-15

TABLE V. Error Flags after Normal Read

AE	E1	E0	Error Type
0	0	0	No Error
1	1	0	Single Check Bit Error
1	1	1	Single Data Error
1	0	0	Double-Bit Error
All Others			Invalid Conditions

There are two basic memory read methods that may be used with the DP8400. The first is shown in *Figure 9b* and is called the error monitoring method. Here, the read data is assumed to be correct and the processor immediately acts on the data. If the DP8400 detects an error, the processor is interrupted using the any error flag (AE). Using this method, there is no detection delay in most memory reads since errors seldom occur, but when an error does occur, the processor must be capable of accepting an interrupt and a read cycle extension to obtain the corrected data from the DP8400.

A second approach is called the always correct method, *Figure 9c*. In this case, the data is always assumed to be in error and the processor always waits for the DP8400 to analyze whether an error exists. Then the corrected or unchanged data is read from the DP8400. Although this method results in longer memory read time, every memory read will always be of the same delay except when a double error occurs. The selection of which method to use depends on many factors, including the processor, system structure, and performance.

Double Bit Error Correct

The probability of double bit errors in DRAM systems is relatively low, but as memory array sizes grow, the occurrence of these error types must be considered. Adopting certain practices, such as rewriting a memory location whenever an error is detected, or using "memory scrubbing" techniques, can significantly reduce the probability of a double soft error occurrence. Memory scrubbing is when the system, during low usage, actually accesses memory solely for the purpose of identifying and correcting single soft errors. This is an important technique if there are segments of the memory that are not always being accessed so that soft error occurrences would not be quickly found.

The occurrence of a double error comprising one soft and one hard must now be considered. This type of error has a higher probability than two soft errors. The hard error may be due to a catastrophic chip failure, and a subsequent soft error will create two errors. This can be a source of concern since most error correction chips cannot handle double errors of this type. Therefore, most systems will "crash" when a catastrophic chip failure is coupled with a soft error in the same memory address.

The DP8400 has been designed to handle just such an occurrence. It can correct any double bit error, as long as at least one of the errors is a hard error. The DP8400 does this without the need for extra hardware required for the basic double bit detect/single bit correct system implementation. This method is called the double complement correct technique and is demonstrated in *Figure 12* using a 4-bit data word for simplicity. In this example, a single hard error is located in the most significant bit of a particular memory location and a soft error occurs at the next bit. The position of the errors is not important since the errors may be distributed in either the data or check bit field or both. First, the data word and corresponding check bits are written to this memory location. When a later read of this location occurs, step A, two errors are directly reported by the DP8400 error flags. The system detects this, disables memory; and places the DP8400 in the complement write mode. This causes the previously read data and check bits to be complemented in the DP8400 and written back to the same memory address, step B, writing over the previous soft error. Obviously this does not modify the cell where the hard error exists. The system then reads from the same address again, but this time it places the DP8400 in the complement read mode, step C. The DP8400 again complements the memory data and check bits and generates new check bits based on the new data word. At this point, the chip detects a single bit error in the bit position where the soft error occurred, and using the conventional single error correction procedure, returns corrected data to the system, step D.

In the second read, the complement read, the hard error repeats since this bit location again receives a bit which is complemented with respect to itself. But the soft error has been overwritten and does not repeat. Effectively, the memory has complemented the hard bit error position twice and the soft bit error position only once, while the DP8400 complements both positions twice. Therefore, after the second read, there is only one error left, the soft error. Since this is now a single error it can be directly corrected.

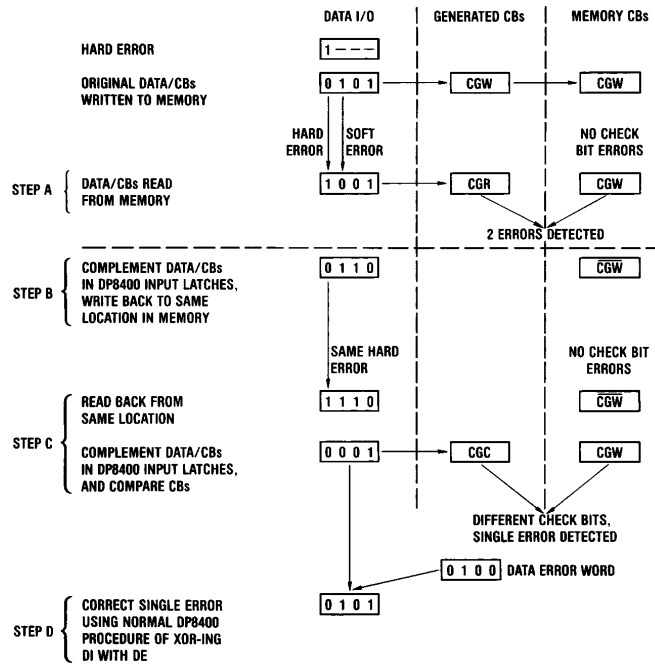
After the complement correct cycle, the memory must be rewritten with the corrected data since the address now contains data that is complemented. Full error reporting is available from the DP8400 after the second read, the complement read, of memory. This is shown in Table VI.

This method is a very effective tool to avoid system crash due to memory chip failure, and can do much to reduce unscheduled field service calls. The only time the system will see a double error that is not directly correctable is when a double soft error occurs. The probability of this is very low if the previously discussed techniques are used. The extra time taken to do an additional read and write of memory is insignificant when the alternative is a system that has a catastrophic failure that requires immediate field serv-

ice. Using this technique, software may be provided in the system to warn the operator that the system is in a degraded operational mode and that field service should occur shortly. In the meantime, the system will continue to operate properly. The key to the effectiveness of the DP8400 in this application is its three error flags which allow complete error reporting—including a unique double error indication.

DP8402A, 3, 4, 5 32-Bit Error Detector and Corrector (EDAC)

In addition to the popular DP8400-2 16-bit error checker/corrector, National offers a family of 32-bit Error Detector and Correctors (EDACs). With a few exceptions, the DP8402A, 3, 4, 5 function in a similar manner to the DP8400-2. One major exception is that the DP8402A, 3, 4, 5 are not expandable beyond 32 bits.



TL/F/5012-16

FIGURE 12. Double Error Correct Complement Hard Error Method—1 Hard Error and 1 Soft Error in Data Bits

TABLE VI. DP8400 Error Flags after a Complement Read

AE	E1	E0	Error Type
0	0	0	Two Hard Errors
1	1	0	One Hard Error, One Soft Check Bit Error
1	1	1	One Hard Error, One Soft Data Bit Error
1	0	0	Two Soft Errors, Not Corrected

MICROPROCESSOR INTERFACE CIRCUITS

The major 8-bit, 16-bit and 32-bit microprocessors have different control signal timing. There are also a number of speed options. The DP8400 family was designed, not for a specific microprocessor, but rather, significant control flexibility has been provided on both the DP84XX DRAM controller/drivers and the DP84XX error correction devices for easy interface to any microprocessor. However, a certain amount of "glue" is necessary to interface to these LSI circuits, usually in the form of a number of MSI/SSI logic circuits. Not only can this be costly in board space utilization, but it is usually the one place where the most design related problems occur in system development.

Figures 13 and 14 show the DP8400 family solution to this problem—the DP84XX2 series of microprocessor interface circuits. Figure 13 shows how the DP84300 refresh timer and the DP84XX2 microprocessor interface circuit connect to the DP8409A and various microprocessors for a typical application. Figure 14 shows the DP8409A and the DP8400 together in a microprocessor-based memory system using DRAMs, with double bit error detect and single bit error correct capability. In addition, it shows that with the simple addition of some standard data buffers, how the system can implement byte writing to the DRAM array.

This system structure requires the insertion of few or no wait states during a memory access cycle, thus maximizing throughput. The DP84XX2 circuits have been designed to work with all of National's DRAM controller/drivers to control refreshing so that system throughput is affected only when absolutely necessary. First, in any refresh clock period of 16 μ s, hidden refreshing is given maximum opportunity. This can be helped with the optional DP84300 refresh interval generator which offers maximum high-to-low ratioing of RFCK. Second, when a hidden refresh does not occur in a particular RFCK cycle, a forced refresh may still not affect a slow access cycle. The worst-case is when an access is pending during a forced refresh, in which case a three wait state delay is usually the maximum penalty.

Usually two DP84XX2 type chips would be required to interface between any microprocessor and the DP8400/DP8409A combined system. These chips would handle the read/write control as well as error detection and correction control. Table VII shows the individual DP84XX2 circuits that would be used in systems with no error correction, thus requiring only the DP84XX DRAM controller/driver function.

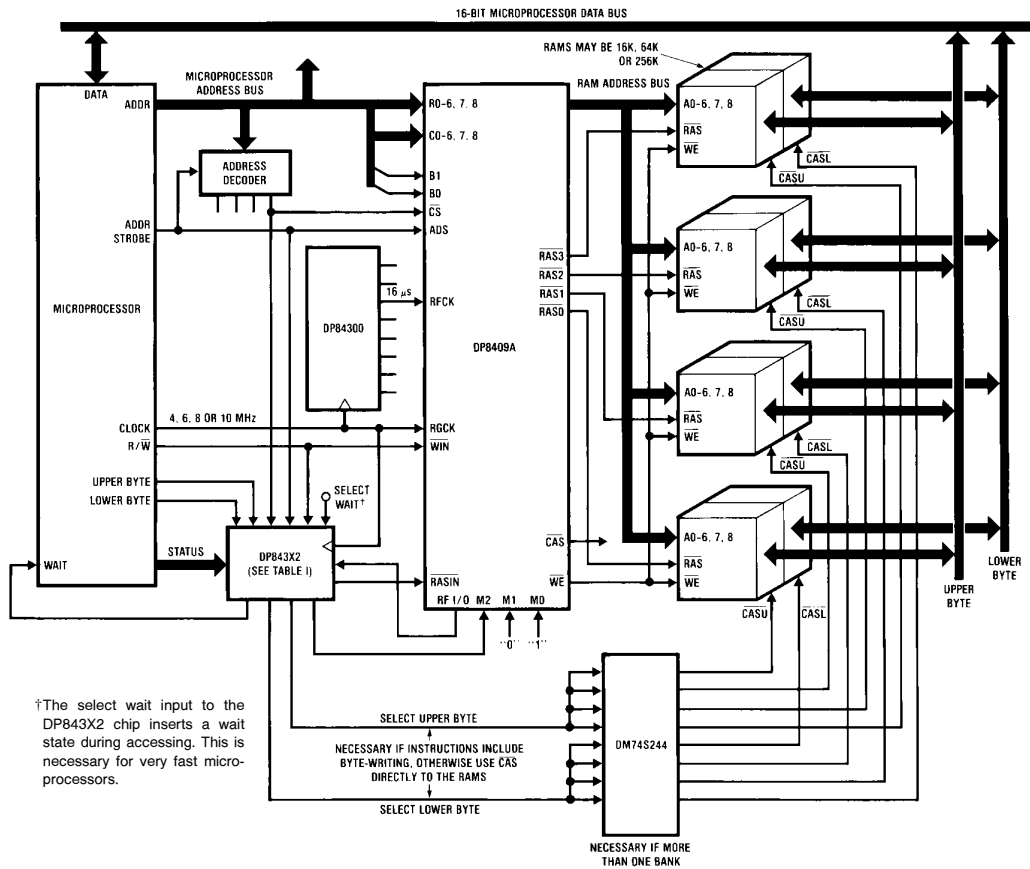


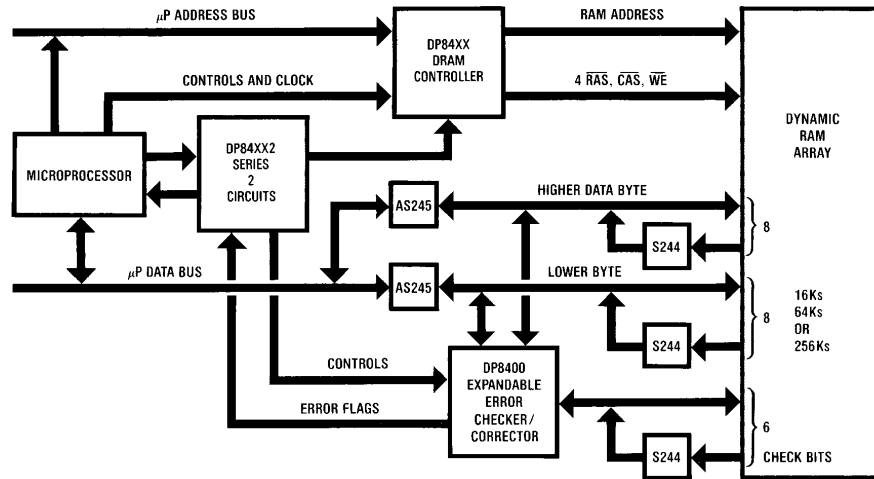
FIGURE 13. Connecting the DP8409A between 16-Bit Microprocessor and Memory

TL/F/5012-17

The DP8400 DRAM interface family provides complete solutions to memory support. This begins with the LSI functions such as the DP8400 expandable error checker/corrector and the DP8409A DRAM controller/driver. It continues with the DP84240 and the DP84244 high performance buffer/drivers. Finally, it concludes with easy interface to popular microprocessors with the use of the DP84XX2 series. It is the first family of DRAM support circuits designed

for universal applications with multiple microprocessors, with no manufacturers CPU enjoying a favorite role.

Data sheets and more detailed application information are available for all the members of the DP8400 family. Contact your local National Semiconductor representative or National Semiconductor directly.



TL/F/5012-18

FIGURE 14. Flexible Application of the DP8409A and DP8400.
This Figure Shows an Application with a 16-Bit Microprocessor.

TABLE VII. The DP84300 Series of Interface Circuits for Various 16-Bit Microprocessors

Microprocessor	System Using DP84XX DRAM Controller/Driver
National & TI Series 32000	DP84412
National & TI Series 32332	DP84512
Motorola 68000/08/10	DP84322 or DP84422
Motorola 68020	DP84522
Intel 80286	DP84532
Intel 8086/186/88/188	DP84432
Zilog 8000	(2) 74S64 (1) 74S04



LIFE SUPPORT POLICY

NATIONAL'S PRODUCTS ARE NOT AUTHORIZED FOR USE AS CRITICAL COMPONENTS IN LIFE SUPPORT DEVICES OR SYSTEMS WITHOUT THE EXPRESS WRITTEN APPROVAL OF THE PRESIDENT OF NATIONAL SEMICONDUCTOR CORPORATION. As used herein:

1. Life support devices or systems are devices or systems which, (a) are intended for surgical implant into the body, or (b) support or sustain life, and whose failure to perform, when properly used in accordance with instructions for use provided in the labeling, can be reasonably expected to result in a significant injury to the user.
2. A critical component is any component of a life support device or system whose failure to perform can be reasonably expected to cause the failure of the life support device or system, or to affect its safety or effectiveness.



National Semiconductor Corporation
 1111 West Bardin Road
 Arlington, TX 76017
 Tel: 1(800) 272-9959
 Fax: 1(800) 737-7018

National Semiconductor Europe
 Fax: (+49) 0-180-530 85 86
 Email: onjwge@tevm2.nsc.com
 Deutsch Tel: (+49) 0-180-530 85 85
 English Tel: (+49) 0-180-532 78 32
 Français Tel: (+49) 0-180-532 93 58
 Italiano Tel: (+49) 0-180-534 16 80

National Semiconductor Hong Kong Ltd.
 19th Floor, Straight Block,
 Ocean Centre, 5 Canton Rd.
 Tsimshatsui, Kowloon
 Hong Kong
 Tel: (852) 2737-1600
 Fax: (852) 2736-9960

National Semiconductor Japan Ltd.
 Tel: 81-043-299-2309
 Fax: 81-043-299-2408

National does not assume any responsibility for use of any circuitry described, no circuit patent licenses are implied and National reserves the right at any time without notice to change said circuitry and specifications.

Free Manuals Download Website

<http://myh66.com>

<http://usermanuals.us>

<http://www.somanuals.com>

<http://www.4manuals.cc>

<http://www.manual-lib.com>

<http://www.404manual.com>

<http://www.luxmanual.com>

<http://aubethermostatmanual.com>

Golf course search by state

<http://golfingnear.com>

Email search by domain

<http://emailbydomain.com>

Auto manuals search

<http://auto.somanuals.com>

TV manuals search

<http://tv.somanuals.com>