

# PXI

## NI PXI-1056 User Manual

September 2005  
371551A-01



## **Worldwide Technical Support and Product Information**

ni.com

### **National Instruments Corporate Headquarters**

11500 North Mopac Expressway Austin, Texas 78759-3504 USA Tel: 512 683 0100

### **Worldwide Offices**

Australia 1800 300 800, Austria 43 0 662 45 79 90 0, Belgium 32 0 2 757 00 20, Brazil 55 11 3262 3599, Canada 800 433 3488, China 86 21 6555 7838, Czech Republic 420 224 235 774, Denmark 45 45 76 26 00, Finland 385 0 9 725 725 11, France 33 0 1 48 14 24 24, Germany 49 0 89 741 31 30, India 91 80 51190000, Israel 972 0 3 6393737, Italy 39 02 413091, Japan 81 3 5472 2970, Korea 82 02 3451 3400, Lebanon 961 0 1 33 28 28, Malaysia 1800 887710, Mexico 01 800 010 0793, Netherlands 31 0 348 433 466, New Zealand 0800 553 322, Norway 47 0 66 90 76 60, Poland 48 22 3390150, Portugal 351 210 311 210, Russia 7 095 783 68 51, Singapore 1800 226 5886, Slovenia 386 3 425 4200, South Africa 27 0 11 805 8197, Spain 34 91 640 0085, Sweden 46 0 8 587 895 00, Switzerland 41 56 200 51 51, Taiwan 886 02 2377 2222, Thailand 662 278 6777, United Kingdom 44 0 1635 523545

For further support information, refer to the *Technical Support and Professional Services* appendix. To comment on National Instruments documentation, refer to the National Instruments Web site at [ni.com/info](http://ni.com/info) and enter the info code `feedback`.

© 2005 National Instruments Corporation. All rights reserved.

# Important Information

---

## Warranty

The NI PXI-1056 is warranted against defects in materials and workmanship for a period of one year from the date of shipment, as evidenced by receipts or other documentation. National Instruments will, at its option, repair or replace equipment that proves to be defective during the warranty period. This warranty includes parts and labor.

The media on which you receive National Instruments software are warranted not to fail to execute programming instructions, due to defects in materials and workmanship, for a period of 90 days from date of shipment, as evidenced by receipts or other documentation. National Instruments will, at its option, repair or replace software media that do not execute programming instructions if National Instruments receives notice of such defects during the warranty period. National Instruments does not warrant that the operation of the software shall be uninterrupted or error free.

A Return Material Authorization (RMA) number must be obtained from the factory and clearly marked on the outside of the package before any equipment will be accepted for warranty work. National Instruments will pay the shipping costs of returning to the owner parts which are covered by warranty.

National Instruments believes that the information in this document is accurate. The document has been carefully reviewed for technical accuracy. In the event that technical or typographical errors exist, National Instruments reserves the right to make changes to subsequent editions of this document without prior notice to holders of this edition. The reader should consult National Instruments if errors are suspected. In no event shall National Instruments be liable for any damages arising out of or related to this document or the information contained in it.

EXCEPT AS SPECIFIED HEREIN, NATIONAL INSTRUMENTS MAKES NO WARRANTIES, EXPRESS OR IMPLIED, AND SPECIFICALLY DISCLAIMS ANY WARRANTY OF MERCHANTABILITY OR FITNESS FOR A PARTICULAR PURPOSE. CUSTOMER'S RIGHT TO RECOVER DAMAGES CAUSED BY FAULT OR NEGLIGENCE ON THE PART OF NATIONAL INSTRUMENTS SHALL BE LIMITED TO THE AMOUNT THEREFORE PAID BY THE CUSTOMER. NATIONAL INSTRUMENTS WILL NOT BE LIABLE FOR DAMAGES RESULTING FROM LOSS OF DATA, PROFITS, USE OF PRODUCTS, OR INCIDENTAL OR CONSEQUENTIAL DAMAGES, EVEN IF ADVISED OF THE POSSIBILITY THEREOF. This limitation of the liability of National Instruments will apply regardless of the form of action, whether in contract or tort, including negligence. Any action against National Instruments must be brought within one year after the cause of action accrues. National Instruments shall not be liable for any delay in performance due to causes beyond its reasonable control. The warranty provided herein does not cover damages, defects, malfunctions, or service failures caused by owner's failure to follow the National Instruments installation, operation, or maintenance instructions; owner's modification of the product; owner's abuse, misuse, or negligent acts; and power failure or surges, fire, flood, accident, actions of third parties, or other events outside reasonable control.

## Copyright

Under the copyright laws, this publication may not be reproduced or transmitted in any form, electronic or mechanical, including photocopying, recording, storing in an information retrieval system, or translating, in whole or in part, without the prior written consent of National Instruments Corporation.

## Trademarks

National Instruments, NI, ni.com, and LabVIEW are trademarks of National Instruments Corporation. Refer to the *Terms of Use* section on [ni.com/legal](http://ni.com/legal) for more information about National Instruments trademarks.

Other product and company names mentioned herein are trademarks or trade names of their respective companies.

Members of the National Instruments Alliance Partner Program are business entities independent from National Instruments and have no agency, partnership, or joint-venture relationship with National Instruments.

## Patents

For patents covering National Instruments products, refer to the appropriate location: **Help»Patents** in your software, the `patents.txt` file on your CD, or [ni.com/patents](http://ni.com/patents).

## WARNING REGARDING USE OF NATIONAL INSTRUMENTS PRODUCTS

(1) NATIONAL INSTRUMENTS PRODUCTS ARE NOT DESIGNED WITH COMPONENTS AND TESTING FOR A LEVEL OF RELIABILITY SUITABLE FOR USE IN OR IN CONNECTION WITH SURGICAL IMPLANTS OR AS CRITICAL COMPONENTS IN ANY LIFE SUPPORT SYSTEMS WHOSE FAILURE TO PERFORM CAN REASONABLY BE EXPECTED TO CAUSE SIGNIFICANT INJURY TO A HUMAN.

(2) IN ANY APPLICATION, INCLUDING THE ABOVE, RELIABILITY OF OPERATION OF THE SOFTWARE PRODUCTS CAN BE IMPAIRED BY ADVERSE FACTORS, INCLUDING BUT NOT LIMITED TO FLUCTUATIONS IN ELECTRICAL POWER SUPPLY, COMPUTER HARDWARE MALFUNCTIONS, COMPUTER OPERATING SYSTEM SOFTWARE FITNESS, FITNESS OF COMPILERS AND DEVELOPMENT SOFTWARE USED TO DEVELOP AN APPLICATION, INSTALLATION ERRORS, SOFTWARE AND HARDWARE COMPATIBILITY PROBLEMS, MALFUNCTIONS OR FAILURES OF ELECTRONIC MONITORING OR CONTROL DEVICES, TRANSIENT FAILURES OF ELECTRONIC SYSTEMS (HARDWARE AND/OR SOFTWARE), UNANTICIPATED USES OR MISUSES, OR ERRORS ON THE PART OF THE USER OR APPLICATIONS DESIGNER (ADVERSE FACTORS SUCH AS THESE ARE HEREAFTER COLLECTIVELY TERMED "SYSTEM FAILURES"). ANY APPLICATION WHERE A SYSTEM FAILURE WOULD CREATE A RISK OF HARM TO PROPERTY OR PERSONS (INCLUDING THE RISK OF BODILY INJURY AND DEATH) SHOULD NOT BE RELIANT SOLELY UPON ONE FORM OF ELECTRONIC SYSTEM DUE TO THE RISK OF SYSTEM FAILURE. TO AVOID DAMAGE, INJURY, OR DEATH, THE USER OR APPLICATION DESIGNER MUST TAKE REASONABLY PRUDENT STEPS TO PROTECT AGAINST SYSTEM FAILURES, INCLUDING BUT NOT LIMITED TO BACK-UP OR SHUT DOWN MECHANISMS. BECAUSE EACH END-USER SYSTEM IS CUSTOMIZED AND DIFFERS FROM NATIONAL INSTRUMENTS' TESTING PLATFORMS AND BECAUSE A USER OR APPLICATION DESIGNER MAY USE NATIONAL INSTRUMENTS PRODUCTS IN COMBINATION WITH OTHER PRODUCTS IN A MANNER NOT EVALUATED OR CONTEMPLATED BY NATIONAL INSTRUMENTS, THE USER OR APPLICATION DESIGNER IS ULTIMATELY RESPONSIBLE FOR VERIFYING AND VALIDATING THE SUITABILITY OF NATIONAL INSTRUMENTS PRODUCTS WHENEVER NATIONAL INSTRUMENTS PRODUCTS ARE INCORPORATED IN A SYSTEM OR APPLICATION, INCLUDING, WITHOUT LIMITATION, THE APPROPRIATE DESIGN, PROCESS AND SAFETY LEVEL OF SUCH SYSTEM OR APPLICATION.

# Contents

---

## About This Manual

Conventions .....	vii
Related Documentation.....	viii

## Chapter 1

### Getting Started

Unpacking .....	1-1
What You Need to Get Started .....	1-1
Key Features .....	1-2
Chassis Description.....	1-3
Optional Equipment .....	1-4
EMC Filler Panels .....	1-4
Rear Rack Mount Kits .....	1-4
PXI-1056 Backplane Overview .....	1-5
Interoperability with CompactPCI .....	1-5
System Controller Slot .....	1-5
Star Trigger Slot .....	1-5
Peripheral Slots.....	1-6
Local Bus .....	1-6
Trigger Bus .....	1-8
System Reference Clock.....	1-8

## Chapter 2

### Installation and Configuration

Safety Information .....	2-1
Chassis Cooling Considerations .....	2-2
Providing Adequate Clearance .....	2-2
Setting Fan Speed .....	2-3
Installing Filler Panels .....	2-3
Rack Mounting .....	2-4
Connecting Safety Ground.....	2-4
Connecting to Power Source.....	2-4
Installing a PXI Controller.....	2-5
Installing PXI Modules .....	2-7
Power Switch LED Indicator .....	2-8
Front Panel LED Indicators .....	2-8

Remote Voltage, Temperature, and Fan Monitoring.....	2-9
Serial Communication Command Set.....	2-10
Terminal Settings.....	2-10
RS-232 Command Syntax .....	2-10
PXI System Configuration with MAX.....	2-14
Basic PXI System Configuration .....	2-15
Trigger Configuration in MAX.....	2-16
PXI Trigger Bus Routing .....	2-16
Using System Configuration and Initialization Files .....	2-17

## **Chapter 3**

### **Maintenance**

Service Interval.....	3-1
Preparation.....	3-1
Cleaning.....	3-1
Interior Cleaning .....	3-2
Exterior Cleaning .....	3-2
Cleaning and Replacing the Fan Filter .....	3-2
Resetting the AC Mains Circuit Breaker.....	3-3
Replacing the Modular Power Supply.....	3-3
Removal .....	3-4
Installation.....	3-4
Configuration .....	3-4
Connecting Safety Ground.....	3-4
Connecting to Power Source.....	3-4

## **Appendix A**

### **Specifications**

## **Appendix B**

### **Pinouts**

## **Appendix C**

### **Technical Support and Professional Services**

## **Glossary**

## **Index**

# About This Manual

---

The *NI PXI-1056 User Manual* contains information about installing, configuring, using, and maintaining the NI PXI-1056 18-slot chassis.

## Conventions

---

The following conventions are used in this manual:

»

The » symbol leads you through nested menu items and dialog box options to a final action. The sequence **File»Page Setup»Options** directs you to pull down the **File** menu, select the **Page Setup** item, and select **Options** from the last dialog box.



This icon denotes a note, which alerts you to important information.



This icon denotes a caution, which advises you of precautions to take to avoid injury, data loss, or a system crash. When this symbol is marked on the product, refer to the *Read Me First: Safety and Radio-Frequency Interference* document, shipped with the product, for precautions to take.

**bold**

Bold text denotes items that you must select or click in the software, such as menu items and dialog box options. Bold text also denotes parameter names.

*italic*

Italic text denotes variables, emphasis, a cross reference, or an introduction to a key concept. Italic text also denotes text that is a placeholder for a word or value that you must supply.

monospace

Text in this font denotes text or characters that you should enter from the keyboard, sections of code, programming examples, and syntax examples. This font is also used for the proper names of disk drives, paths, directories, programs, subprograms, subroutines, device names, functions, operations, variables, filenames and extensions, and code excerpts.

## Related Documentation

---

The following documents contain information that you might find helpful as you read this manual:

- *CompactPCI Specification PICMG 2.0 R 3.0*
- *PXI Hardware Specification, Revision 2.2*
- *PXI Software Specification, Revision 2.2*
- *IEEE 1101.1-1991, IEEE Standard for Mechanical Core Specifications for Microcomputers Using IEC 603-2 Connectors*
- *IEEE 1101.10, IEEE Standard for Additional Mechanical Specifications for Microcomputers Using IEEE 1101.1 Equipment Practice*

---

# Getting Started

This chapter describes the key features of the PXI-1056 chassis and lists the kit contents and optional equipment you can order from National Instruments.

## Unpacking

---

Carefully inspect the shipping container and the chassis for damage. Check for visible damage to the metal work. Check to make sure all handles, hardware, and switches are undamaged. Inspect the inner chassis for any possible damage, debris, or detached components. If damage appears to have been caused during shipment, file a claim with the carrier. Retain the packing material for possible inspection and/or reshipment.

## What You Need to Get Started

---

The PXI-1056 kit contains the following items:

- PXI-1056 chassis
- Filler panels
- AC power cable (refer to Table 1-1 for AC power cables)
- NI PXI-1056 User Manual*
- Read Me First: Safety and Radio-Frequency Interference*
- Driver CD-ROM containing NI PXI chassis software
- Chassis number labels



**Table 1-1.** AC Power Cables

Power Cable	Reference Standards
Standard 120 V (USA)	NEMA 5-15
Switzerland 220 V	SEV
Australia 240 V	AS C112
Universal Euro 230 V	CEE (7), II, IV, VII IEC83
North America 240 V	NEMA 6-15
United Kingdom 230 V	BS 1363/IEC83

If you are missing any of the items listed in Table 1-1, or if you have the incorrect AC power cable, contact National Instruments.

## Key Features

The PXI-1056 combines a high-performance 18 slot 3U-sized (or 4 3U and 7 6U slot) PXI backplane with a high-output power supply and a structural design that has been optimized for maximum usability in a wide range of applications. The modular design of the chassis ensures a high level of maintainability, resulting in a very low mean time to repair (MTTR). The PXI-1056 complies with the *PXI Hardware Specification, Revision 2.2* (32-bit), offering advanced timing and synchronization features.



**Note** The PXI-1056 chassis only complies with the 32-bit/33 MHz operational specs of the *PXI Hardware Specification*.

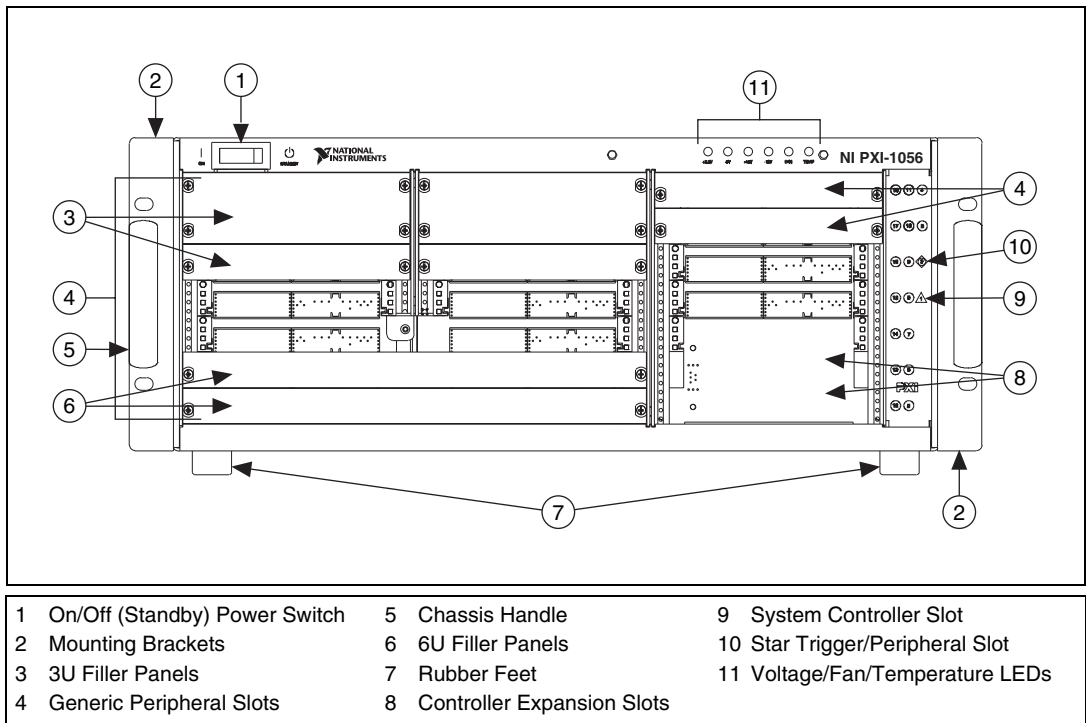
The key features of the PXI-1056 include the following:

- PXI and CompactPCI (PICMG 2.0 R 3.0) module compatibility
- 4 3U-sized and 7 6U-sized dual-stack capable slots
- Universal AC input: automatic voltage and frequency ranging
- Over-current protection through push-reset circuit breaker (no AC-input fuses to replace)
- Removable modular power-supply shuttle
- Remote voltage, temperature, and fan monitoring through a rear-panel RS-232 connector
- On/Off (Standby) power switch on the front panel for easy access

- Temperature-sensing module that can adjust fan speed based on air-intake temperature to minimize audible noise
- Front-panel LEDs that indicate a voltage regulation failure, a fan failure, or over-temperature condition
- Programmable PXI trigger routing between PXI bus segments
- Optional carrying handle and feet for portability
- Front rack mount brackets and handles

## Chassis Description

Figures 1-1 and 1-2 show the key features of the PXI-1056 chassis front and rear panels. Figure 1-1 shows the front view of the PXI-1056. Figure 1-2 shows the rear view.



**Figure 1-1.** Front View of the PXI-1056 Chassis

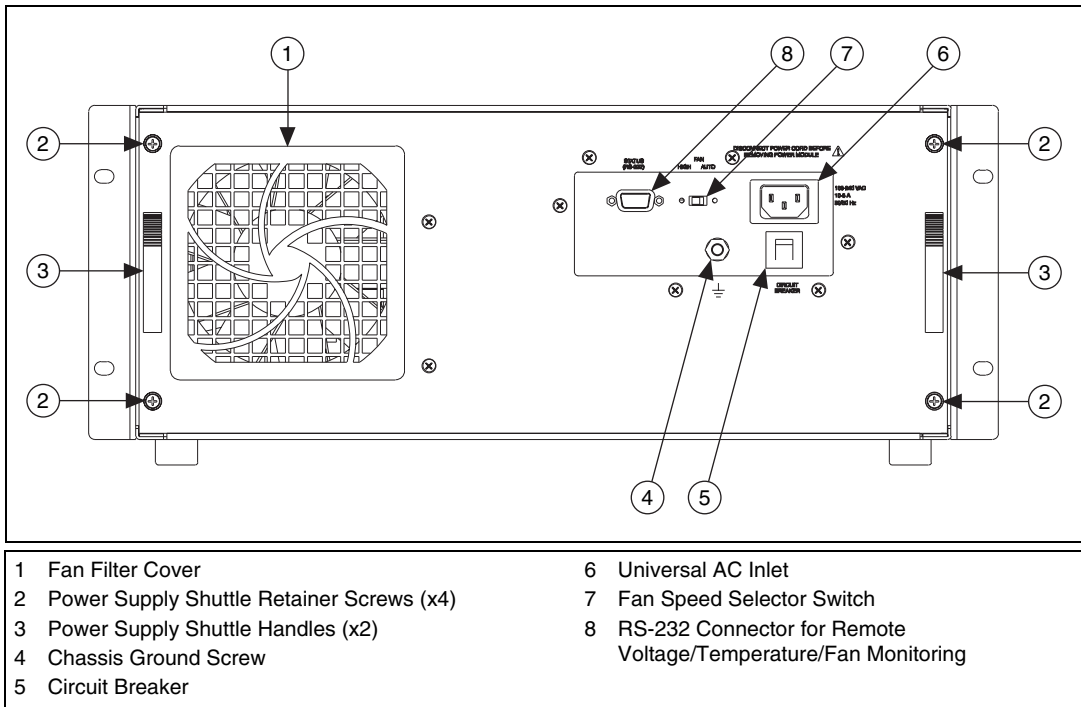


Figure 1-2. Rear View of the PXI-1056 Chassis

## Optional Equipment

Contact National Instruments to order the following options for the PXI-1056 chassis.

### EMC Filler Panels

Optional EMC filler panel kits are available from National Instruments.

### Rear Rack Mount Kits

A rear rack mount kit option is available for mounting the PXI-1056 chassis into a 19 in. instrument cabinet.

# PXI-1056 Backplane Overview

---

## Interoperability with CompactPCI

The PXI-1056 backplane is interoperable with 5 V and universal PXI-compatible products and standard CompactPCI products. This is an important feature, because some PXI systems may require components that do not implement PXI-specific features. For example, you may want to use a standard CompactPCI network interface card in a PXI chassis.

The signals on the backplane P1 connectors meet the requirements of the CompactPCI specification for both peripheral and system modules. Refer to Appendix B, *Pinouts*, for pinout information.

The PXI-specific signals are on the backplane P2 connectors and are found only on those signal lines reserved or not used in the CompactPCI 64-bit specification. Therefore, all modules that meet the requirements of the CompactPCI 64-bit specification will function in the PXI-1056. Refer to Appendix B, *Pinouts*, for pinout information.



**Note** The PXI-1056 backplane is 32-bit PCI. 64-bit CompactPCI cards will operate in 32-bit mode in this chassis.

The PXI-1056 backplane has +5 V V(I/O). Refer to the *CompactPCI Specification PICMG 2.0 R 3.0* for details regarding V(I/O).

## System Controller Slot

The system controller slot is slot 1 of the chassis as defined by the PXI Specification. It has one controller expansion slot for system controller modules that are wider than one slot. As defined in the PXI Specification, these slots allow the controller to expand to the left to prevent the controller from using peripheral slots.

## Star Trigger Slot

The star trigger (ST) slot is slot 2. This slot has dedicated equal-length trigger lines between slot 2 and peripheral slots 3 through 15 (refer to Figure 1-3). The PXI Specification defines only 13 star trigger lines; therefore, the last three slots do not receive a star trigger. Slot 2 is intended for modules with ST functionality that can provide individual triggers to all other peripheral modules. However, if you do not require advanced trigger functionality, you can install any standard peripheral module in this slot.

The star trigger slot can also be used to provide a PXI\_CLK10 signal to the backplane. For more information regarding PXI\_CLK10, refer to the [System Reference Clock](#) section.

## Peripheral Slots

There are 17 3U-sized peripheral slots including the star trigger slot. Three of these slots can only be used for 3U modules. The chassis has a number of peripheral slots that can also be used in a 6U configuration. They can be used for a mix of 3U and 6U modules, or they can be used to hold up to 7 6U modules.

## Local Bus

The PXI backplane local bus is a daisy-chained bus that connects each peripheral slot with adjacent peripheral slots (refer to Figure 1-3). For example, slot 2's right local bus connects to slot 3's left local bus, and so on.

The left local bus signal lines on slot 2 are used for star trigger and do not connect to slot 1. The right local bus signal lines on slots 4, 11, and 18 are not routed anywhere. Likewise, the left local bus signal lines on slots 5 and 12 are not routed anywhere.

Each local bus is 13 lines wide and can pass analog signals up to 42 V between cards or provide a high-speed TTL side-band digital communication path that does not reduce the PXI bus bandwidth.

Initialization software uses the configuration information specific to adjacent peripheral modules to evaluate local bus compatibility.

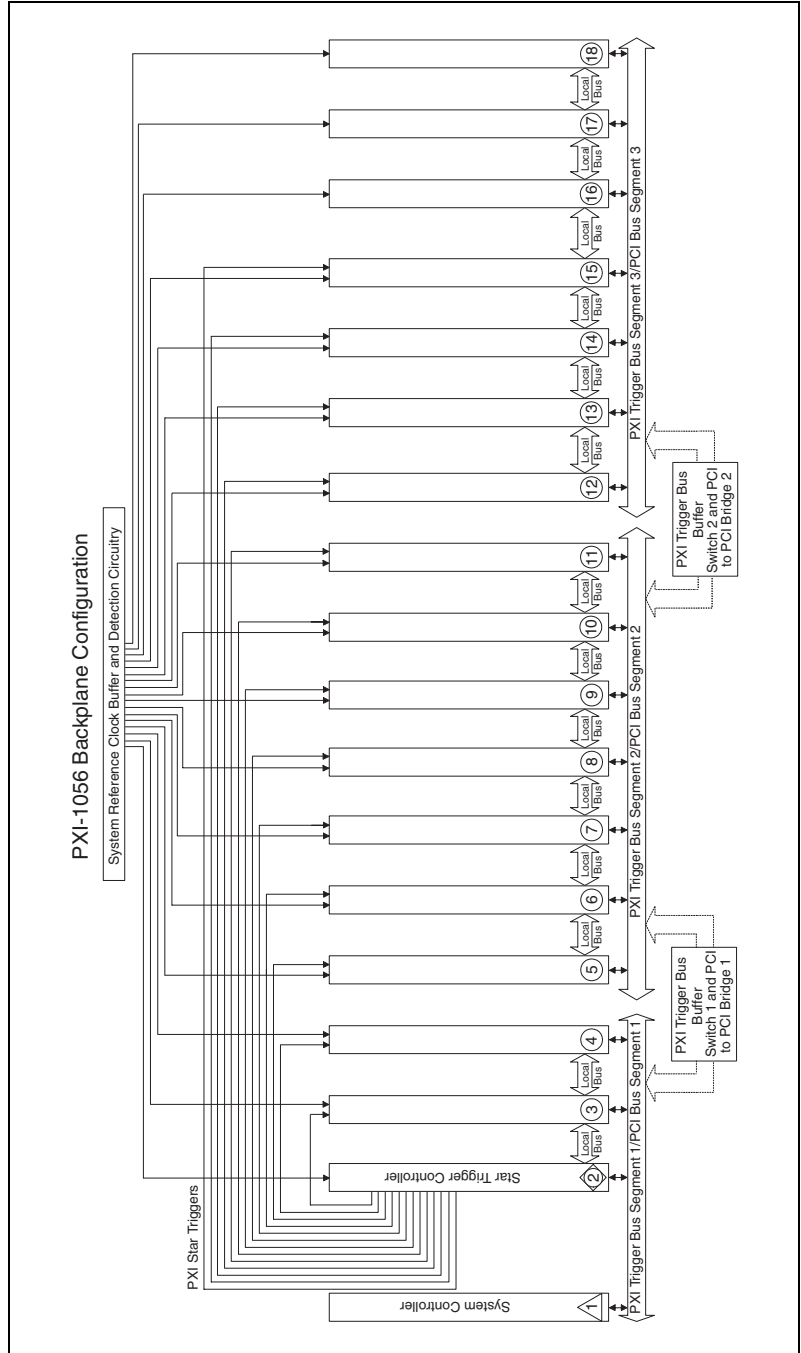


Figure 1-3. PXI CLK\_10 and Star Trigger Routing

## Trigger Bus

All slots on each PXI bus segment share eight PXI trigger lines. You can use these trigger lines in a variety of ways. For example, you can use triggers to synchronize the operation of several different PXI peripheral modules. In other applications, one module located in slot 2 can control carefully timed sequences of operations performed on other modules in the system. Modules can pass triggers to one another, allowing precisely timed responses to asynchronous external events the system is monitoring or controlling.

The PXI trigger lines from adjacent PXI trigger bus segments can be routed in either direction across the PXI bridges through buffers. This allows you to send trigger signals to, and receive trigger signals from, every slot in the chassis. Static trigger routing (user-specified line and directional assignments) can be configured through Measurement & Automation Explorer (MAX). Dynamic routing of triggers (automatic line assignments) is supported through certain National Instruments drivers like NI-DAQmx.



**Note** Although any trigger line may be routed in either direction, it cannot be routed in more than one direction at a time.

## System Reference Clock

The PXI-1056 supplies the PXI 10 MHz system clock signal (PXI\_CLK10) independently to each peripheral slot. An independent buffer (having a source impedance matched to the backplane and a skew of less than 250 ps between slots) drives the clock signal to each peripheral slot. You can use this common reference clock signal to synchronize multiple modules in a measurement or control system. You can drive PXI\_CLK10 from an external source through the PXI\_CLK10\_IN pin on the P2 connector of the star trigger slot. Refer to Table B-4, [P2 \(J2\) Connector Pinout for the Star Trigger Slot](#). Sourcing an external clock on this pin automatically overrides the backplane's 10 MHz source.

---

# Installation and Configuration

This chapter describes how to install, configure, and use the PXI-1056 chassis.

Before connecting the chassis to a power source, read this chapter and the *Read Me First: Safety and Radio-Frequency Interference* document included with your chassis.

---

## Safety Information



**Caution** Before undertaking any troubleshooting, maintenance, or exploratory procedure, carefully read the following caution notices.

This equipment contains voltage hazardous to human life and safety, and is capable of inflicting personal injury.

- **Chassis Grounding**—The PXI-1056 requires a connection from the premise wire safety ground to the PXI-1056 chassis ground. The earth safety ground *must* be connected during use of this equipment to minimize shock hazards. Refer to the [Connecting Safety Ground](#) section for instructions on connecting safety ground.
- **Live Circuits**—Operating personnel and service personnel *must* not remove protective covers when operating or servicing the PXI-1056. Adjustments and service to internal components must be undertaken by qualified service technicians. During service of this product, the mains connector to the premise wiring must be disconnected. Dangerous voltages may be present under certain conditions; use extreme caution.
- **Explosive Atmosphere**—Do *not* operate the chassis in conditions where flammable gases are present. Under such conditions this equipment is unsafe and may ignite the gases or gas fumes.
- **Part Replacement**—Only service this equipment with parts that are exact replacements, both electrically and mechanically. Contact National Instruments for replacement part information. Installation of parts with those that are not direct replacements may cause harm to



personnel operating the chassis. Furthermore, damage or fire may occur if replacement parts are unsuitable.

- **Modification**—Do *not* modify any part of the chassis from its original condition. Unsuitable modifications may result in safety hazards.

## Chassis Cooling Considerations

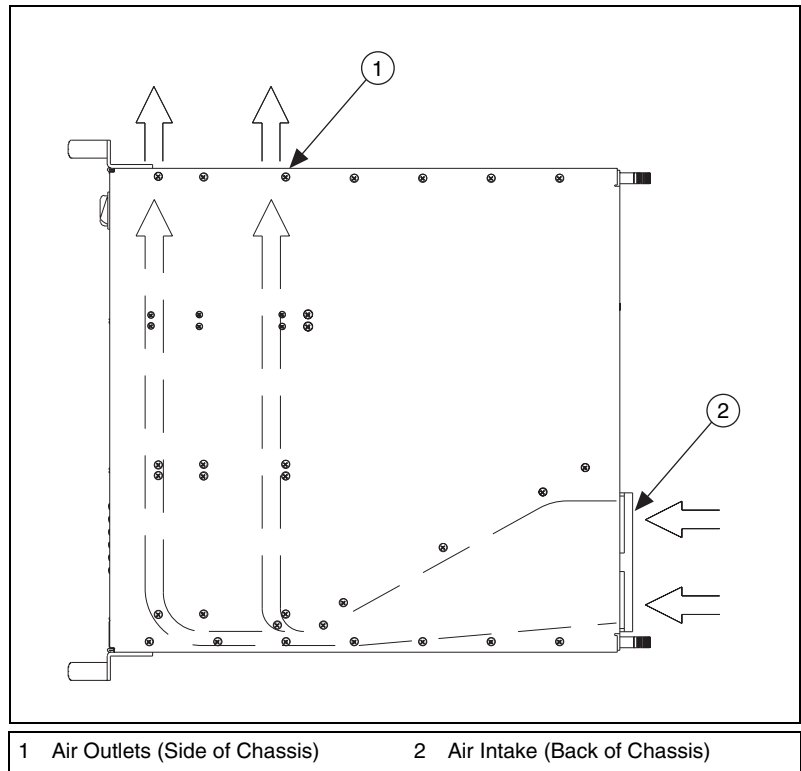
---

The PXI-1056 is designed to operate on a bench or in an instrument rack. Determine how you want to use the PXI-1056 and follow the appropriate installation instructions.

### Providing Adequate Clearance

Apertures in the rear and along the left side of the chassis facilitate power supply and module cooling. Air enters through a filter and fan inlet in the right rear of the chassis and exits through the left side of the chassis, as shown in Figure 2-1. Place the PXI-1056 on a bench top or in an instrument rack so that the fan (air inlet) and the air outlet apertures along the right side of the chassis have adequate ventilation. Keep other equipment a minimum of 76.2 mm (3 in.) away from the air inlet on the rear of the chassis.

When rack mounting the PXI-1056, provide at least 44.5 mm (1.75 in.) clearance on the right side of the unit for adequate venting. High-power applications may require additional clearance.



**Figure 2-1.** PXI-1056 Chassis Airflow Side View

Install the chassis so that you can easily access the rear panel. This simplifies replacing the air filter or power supply shuttle, if necessary.

## Setting Fan Speed

The fan-speed selector switch is on the rear panel of the PXI-1056. Refer to Figure 1-2, *Rear View of the PXI-1056 Chassis*, to locate the fan-speed selector switch. Select **HIGH** for maximum cooling performance (recommended) or **AUTO** for quieter operation. When set to **AUTO**, the fan speed is determined by chassis intake air temperature.

## Installing Filler Panels

To improve module cooling performance, install filler panels (provided with the chassis) in unused or empty slots. Secure with the captive mounting screws provided.

## Rack Mounting

---

Rack-mount applications may require the optional rear rack mount kit available from National Instruments. Refer to Figure A-3, [PXI-1056 Rack Mount Components](#), and the instructions supplied with the rack mount kits to install your PXI-1056 in an instrument rack.



**Note** You may want to remove the feet from the PXI-1056 when rack mounting. To do so, remove the screws holding the feet in place.

## Connecting Safety Ground

---



**Caution** The PXI-1056 chassis is designed with a three-position NEMA 5-15 style plug for the U.S. that connects the ground line to the chassis ground. To minimize shock hazard, make sure the electrical power outlet you use to power the chassis has an appropriate earth safety ground.

If your power outlet does not have an appropriate ground connection, you must connect the premise safety ground to the chassis grounding screw located on the rear panel. Refer to Figure 1-2, [Rear View of the PXI-1056 Chassis](#), to locate the chassis grounding screw. Complete the following steps to connect the safety ground.

1. Connect a 16 AWG (1.3 mm) wire to the chassis grounding screw using a grounding lug. The wire must have green insulation with a yellow stripe or must be noninsulated (bare).
2. Attach the opposite end of the wire to permanent earth ground using toothed washers or a toothed lug.

## Connecting to Power Source

---



**Caution** Do *not* install modules prior to performing the following power-on test.

Attach input power through the rear AC inlet using the appropriate AC power cable supplied. Refer to Figure 1-2, [Rear View of the PXI-1056 Chassis](#), to locate the AC inlet.



**Caution** To completely remove power, you *must* disconnect the AC power cable.

The power switch allows you to power on the chassis or place it in standby mode. Push the power switch to the On (Left) position (if not already on). Observe that the fan becomes operational and the power switch LED is a steady green.

## Installing a PXI Controller

---

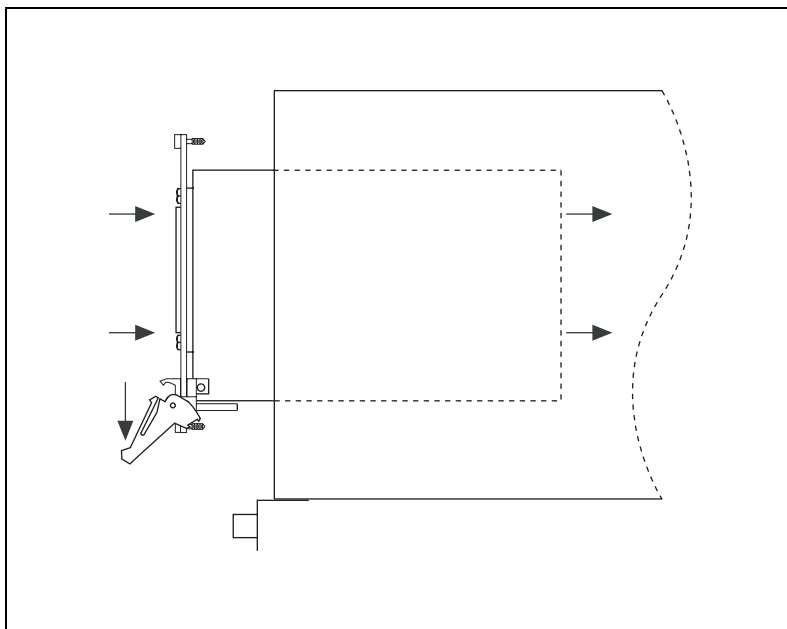
This section contains general instructions for installing a PXI controller in the PXI-1056 chassis. Refer to your PXI controller user manual for specific instructions and cautions. Complete the following steps to install a controller.

1. Plug in the PXI chassis before installing the controller. The power cord grounds the chassis and protects it from electrical damage while you install the controller. Make sure the chassis power switch is in the Off (Standby) position.



**Caution** To protect both yourself and the chassis from electrical hazards, leave the chassis off until you finish installing the controller.

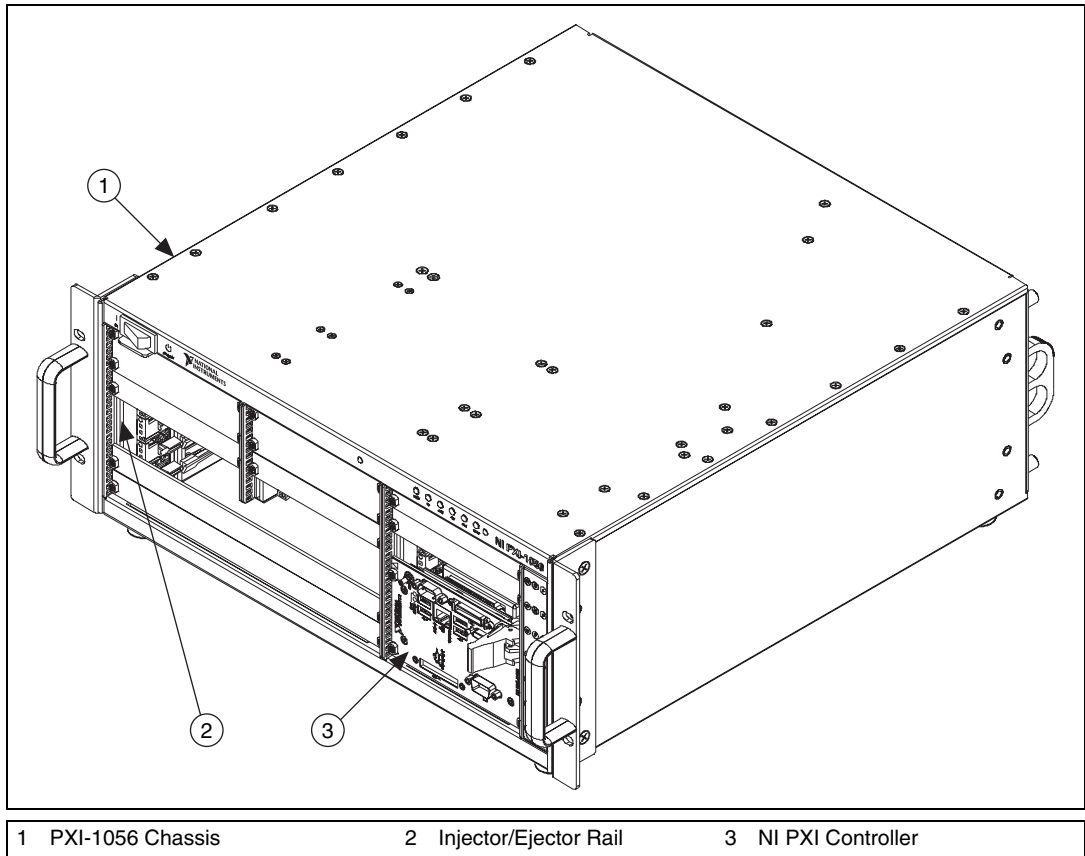
2. Install the controller into the system controller slot (slot 1, indicated by the red card guides) by first placing the controller edges into the front controller guides (right and left). Slide the controller to the rear of the chassis (making sure that the injector/ejector handle is pushed down as shown in Figure 2-2).



**Figure 2-2.** Injector/Ejector Handle Position during Controller or Peripheral Module Insertion

3. When you begin to feel resistance, push up on the injector/ejector handle to inject the controller fully into the chassis frame. Secure the controller front panel to the chassis using the controller front-panel mounting screws.
4. Connect the keyboard, mouse, and monitor to the appropriate connectors. Connect devices to ports as required by your system configuration.
5. Power on the chassis. Verify that the controller boots. If the controller does not boot, refer to your controller user manual.

Figure 2-3 shows a PXI controller installed in the system controller slot of a PXI-1056 chassis. You can place CompactPCI or PXI modules in any other slot.



**Figure 2-3.** NI PXI Controller Installed in a PXI-1056 Chassis

## Installing PXI Modules

Complete the following steps to install a module.

1. Make sure the power switch is in the Off (Standby) position.
2. Install a module into a chassis slot by first placing the module card edges into the front module guides (left and right), as shown in Figure 2-4. Slide the module to the rear of the chassis, making sure that the injector/ejector handle is pushed down as shown in Figure 2-2.
3. When you begin to feel resistance, push up on the injector/ejector handle to fully inject the module into the chassis frame. Secure the module front panel to the chassis using the module front-panel mounting screws.

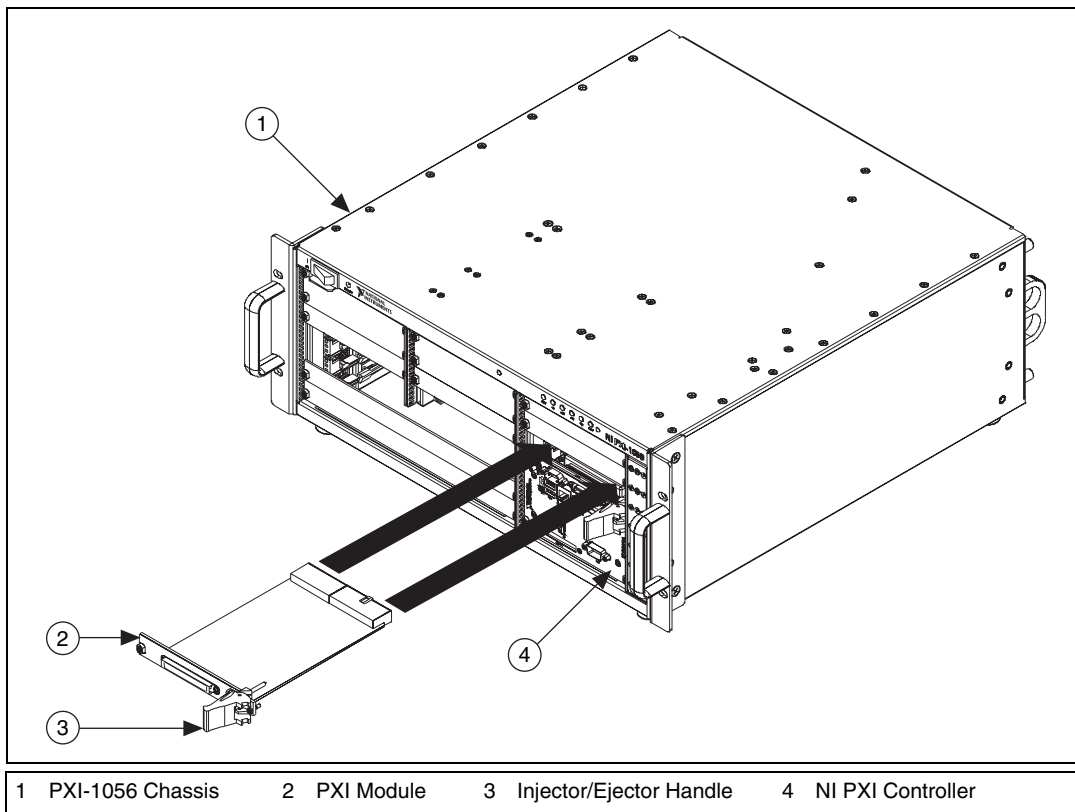


Figure 2-4. Installing PXI or CompactPCI Modules

## Power Switch LED Indicator

The chassis power switch has an integrated LED. This LED indicates the chassis is powered on and operating normally.

## Front Panel LED Indicators



**Cautions** Operating the PXI system outside of the specified temperature range may result in loss of data, reduction of chassis life, or damage to equipment.

Power supply output voltages out of regulation may result in equipment malfunction, incorrect data, or failure of system to boot.

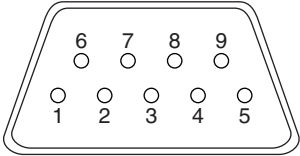
There are six dual-color LED indicators on the front panel of the chassis. Four of the LEDs indicate the status of voltage supply regulation (+3.3 V, 5 V, +12 V, -12 V). The FAN LED indicates the operational status of the fan. The TEMP LED indicates whether the chassis is maintaining a proper operating temperature, or whether there is an over-temperature condition. The operating temperature of the chassis should not exceed 60 °C.

## Remote Voltage, Temperature, and Fan Monitoring

The PXI-1056 chassis supports remote voltage, temperature, and fan monitoring through a RS-232 9-pin D-sub connector located on the rear panel. Table 2-1 shows the pinout of the 9-pin D-sub connector.

**Table 2-1.** Voltage Monitoring Connector Pinout

D-sub Pin	Signal
1	Ground
2	Receive data input
3	Request to send, input
4	Transmit data, output
5	Clear to send, output
6	Reserved
7	Reserved
8	Reserved
9	Reserved


**Caution** Use the rear-panel 9-pin D-sub connector to connect to an RS-232-capable device. Do *not* use the connector to supply power to external devices, or damage to the chassis may result.



## Serial Communication Command Set

Voltage, temperature, and fan speed statuses may be read using the following defined command set. Any monitored parameter having a trip point to indicate a fail status will also generate an autonomous status message to indicate the fault condition.

### Terminal Settings

The communication terminal must be set to the following settings.

Parameter	Value
Baud rate	9600
Data bits	8
Parity	None
Stop bits	1
Flow control	None

### RS-232 Command Syntax

The following tables contain each available command in the set, along with proper syntax and brief descriptions of their effects. In each example, the *Command* column lists each command that can be sent through the RS-232 terminal to the monitoring system, the *Response* column lists the syntax of the return value from the monitoring system, and *X* represents the returned value itself (in single-digit integer, multiple digit integer, and decimalized values).



**Notes** The commands are case sensitive.

The order of the <CR><LF> commands is the ideal order, and may not be implemented as such in older versions of the SMM code.

## Temperature Measurement Commands



**Note** Units are in degrees Celsius.

Command	Response	Description
<b>TA</b>	TA:<CR><LF> T1: +XX<CR><LF> T2: +XX<CR><LF> T3: +XX<CR><LF>	Transmit all temperatures
<b>T1</b>	T1: +XX<CR><LF>	Transmit temperature sensor #1 value
<b>T2</b>	T2: +XX<CR><LF>	Transmit temperature sensor #2 value
<b>T3</b>	T3: +XX<CR><LF>	Transmit temperature sensor #3 value
<b>ST</b>	ST:T1: x <CR><LF>	Temperature sensor #1, x = OK or FAIL
	ST:T2: x <CR><LF>	Temperature sensor #2, x = OK or FAIL
	ST:T3: x <CR><LF>	Temperature sensor #3, x = OK or FAIL

## Fan Speed Measurement Commands

Command	Response	Description
<b>FA</b>	FA:<CR><LF> F1: XXXX RPM<CR><LF> F2: XXXX RPM<CR><LF> F3: XXXX RPM<CR><LF> F4: XXXX RPM<CR><LF>	Transmit all fan speeds
<b>F1</b>	F1: XXXX RPM<CR><LF>	Transmit fan speed #1 value
<b>F2</b>	F2: XXXX RPM<CR><LF>	Transmit fan speed #2 value
<b>F3</b>	F3: XXXX RPM<CR><LF>	Transmit fan speed #3 value
<b>F4</b>	F4: XXXX RPM<CR><LF>	Transmit fan speed #4 value

Command	Response	Description
<b>SF</b>	SF:F1: x<CR><LF>	Fan #1, x = OK or FAIL
	SF:F2: x<CR><LF>	Fan #2, x = OK or FAIL
	SF:F3: x<CR><LF>	Fan #3, x = OK or FAIL
	SF:F4: x<CR><LF>	Fan #4, x = OK or FAIL

## Voltage Measurement Commands



**Note** Units are in V<sub>DC</sub>.

Command	Response	Description
<b>VA</b>	VA: <CR><LF> V1: +X.XXX<CR><LF> V2: +X.XXX<CR><LF> V3: +XX.XX<CR><LF> V4: -XX.XX<CR><LF> V5: +X.XXX<CR><LF>	Transmit all voltages as listed below: Voltage of the +3.3VDC Power supply Voltage of the +5VDC Power supply Voltage of the +12VDC Power supply Voltage of the -12VDC Power supply Voltage of the +5 VDC VSB Power Supply
<b>V1</b>	V1: +X.XXX<CR><LF>	Voltage of the +3.3VDC Power supply
<b>V2</b>	V2: +X.XXX<CR><LF>	Voltage of the +5VDC Power supply
<b>V3</b>	V3: +XX.XX<CR><LF>	Voltage of the +12VDC Power supply
<b>V4</b>	V4: -XX.XX<CR><LF>	Voltage of the -12VDC Power supply
<b>V5</b>	V5: +X.XXX<CR><LF>	Voltage of the +5 VDC VSB Power Supply
<b>SP</b>	SP:PS: x <CR><LF>	Power supply status, x = OK or FAIL
<b>SV</b>	SV:V1: x<CR><LF>	+3.3VDC supply, x = OK or FAIL
	SV:V2: x<CR><LF>	+5VDC supply, x = OK or FAIL
	SV:V3: x<CR><LF>	+12VDC supply, x = OK or FAIL
	SV:V4: x<CR><LF>	-12VDC supply, x = OK or FAIL
	SV:V5: x<CR><LF>	+5VDC VSB supply, x = OK or FAIL

## Request for All Status



**Note** Voltage units are in  $V_{DC}$ , and temperature units are in degrees Celsius.

Command	Response	Description
SA	<CR><LF>MONITOR, 209-2xxx-Cxx-00 Rx <CR><LF><CR><LF>	Header information
	SP:PS: x <CR><LF>	Power supply status, x = OK or FAIL
	ST:T1: x <CR><LF>	Temperature sensor #1, x = OK or FAIL
	ST:T2: x <CR><LF>	Temperature sensor #2, x = OK or FAIL
	ST:T3: x <CR><LF>	Temperature sensor #3, x = OK or FAIL
	SV:V1: x<CR><LF>	+3.3VDC supply, x = OK or FAIL
	SV:V2: x<CR><LF>	+5VDC supply, x = OK or FAIL
	SV:V3: x<CR><LF>	+12VDC supply, x = OK or FAIL
	SV:V4: x<CR><LF>	-12VDC supply, x = OK or FAIL
	SV:V5: x<CR><LF>	+5VDC VSB supply, x = OK or FAIL
	SF:F1: x<CR><LF>	Fan #1, x = OK or FAIL
	SF:F2: x<CR><LF>	Fan #2, x = OK or FAIL
	SF:F3: x<CR><LF>	Fan #3, x = OK or FAIL
	SF:F4: x<CR><LF>	Fan #4, x = OK or FAIL

## Help Menu Requests



**Note** This is not available on older SMM code versions.

Command	Response
?	<p>&lt;CR&gt;&lt;LF&gt;Commands are 2 letters in length as follows:</p> <p>&lt;CR&gt;&lt;LF&gt;VA - Report the 4 voltages defined as</p> <p>&lt;CR&gt;&lt;LF&gt; -V1 = +3.3 VDC</p> <p>&lt;CR&gt;&lt;LF&gt; -V2 = +5 VDC</p> <p>&lt;CR&gt;&lt;LF&gt; -V3 = +12 VDC</p> <p>&lt;CR&gt;&lt;LF&gt; -V4 = -12 VDC</p> <p>&lt;CR&gt;&lt;LF&gt;FA - Report the 3 Fan speeds</p> <p>&lt;CR&gt;&lt;LF&gt;SA - All status</p> <p>&lt;CR&gt;&lt;LF&gt;TA - Report the 3 temperature sensors</p>

## PXI System Configuration with MAX

Configuration of the PXI system is handled through Measurement & Automation Explorer (MAX), included on the NI Driver CD-ROM packaged with your kit. MAX creates the `pxisys.ini` file which defines the layout and parameters of your PXI system. After installing the software on the NI Driver CD-ROM, the MAX icon will be present on the desktop. The configuration steps for single- or multiple-chassis systems are the same.

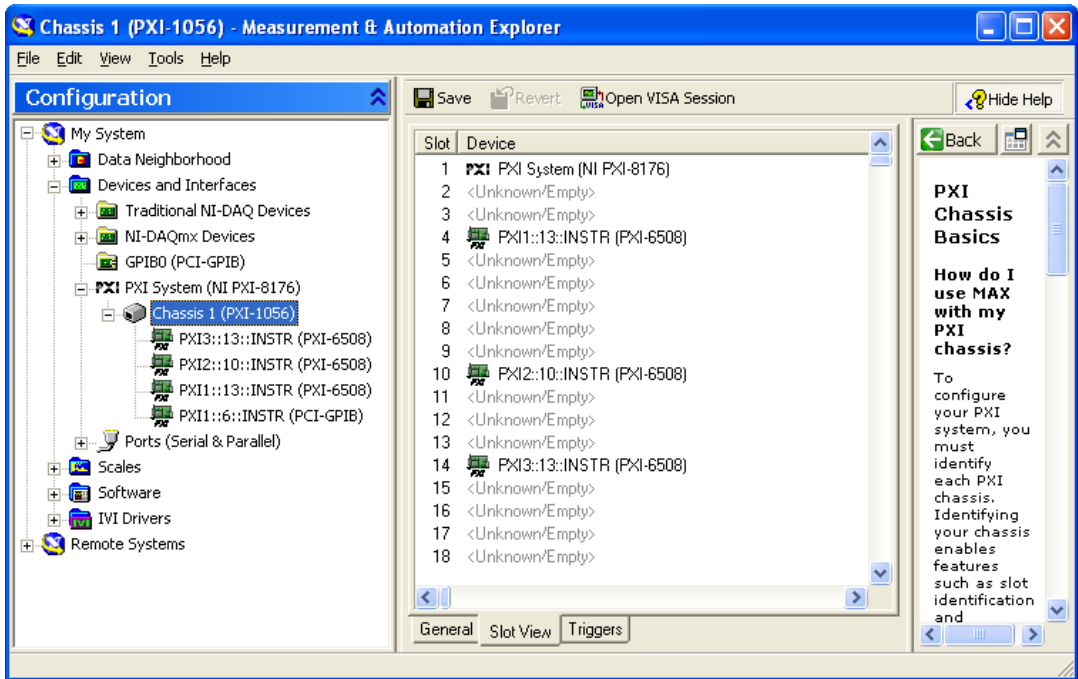
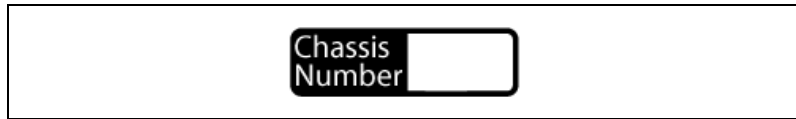


Figure 2-5. Multichassis Configuration in MAX

## Basic PXI System Configuration

1. Launch MAX.
2. In the **Configuration** tree, click on the **Devices and Interfaces** branch to expand it.
3. If the PXI system controller has not yet been configured, it will be labeled “PXI System (Unidentified).” Right-click on this entry to display the popup menu, then select the appropriate controller model from the **Identify As** submenu.
4. Click on the **PXI System** controller and the chassis (or multiple chassis, in a multi-chassis configuration) will be listed below it. Identify each chassis by right-clicking on its entry, then selecting the appropriate chassis model through the **Identify As** submenu. Further expanding the **PXI System** branch will show all of the devices in the system that can be recognized by NI-VISA. Once your controller and all of your chassis have been identified, the required `pxisys.ini` file will be complete.

5. Apply the chassis number labels (shown in Figure 2-6) included with your kit to each chassis in your PXI system, and write in the chassis number accordingly in the white space.



**Figure 2-6.** Chassis Number Label

## Trigger Configuration in MAX

Each chassis has one or more trigger buses, each with eight lines numbered 0 through 7 that can be reserved and routed statically or dynamically. Static reservation “pre-allocates” a trigger line to prevent its configuration by a user program. Dynamic reservation/routing/deallocation is “on the fly” within a user program based upon National Instruments APIs such as NI-DAQmx. Static reservation of trigger lines can be implemented by the user in MAX through the **Triggers** tab. Reserved trigger lines will not be used by PXI modules dynamically configured by programs such as NI-DAQmx. This prevents the instruments from double-driving the trigger lines, possibly damaging devices in the chassis. In the default configuration, trigger lines on each bus are independent. For example, if trigger line 3 is asserted on trigger bus 0, by default it will not be automatically asserted on any other trigger bus.

Complete the following steps to reserve these trigger lines in MAX.

1. In the **Configuration** tree, click on the PXI chassis branch you want to configure.
2. Then, in the right-hand pane, toward the bottom, click on the **Triggers** tab.
3. Select which trigger lines you would like to statically reserve.
4. Click the **Apply** button.

## PXI Trigger Bus Routing

Some National Instruments chassis, such as the PXI-1045 and the PXI-1056, have the capability to route triggers from one bus to others within the same chassis using the **Trigger Routing** tab in MAX, as shown in Figure 2-5. This tab allows the routing of triggers from any single trigger bus to all of the other trigger buses in the chassis.



**Note** Selecting any non-disabled routing automatically reserves the line in all trigger buses being routed to. If you are using NI-DAQmx, it will reserve and route trigger lines for you, so you won't have to route trigger lines manually.

Complete the following steps to configure trigger routings in MAX.

1. In the **Configuration** tree, select the chassis in which you want to route trigger lines.
2. In the right-hand pane, select the **Trigger Routing** tab near the bottom.
3. For each trigger line, select **Route Right**, **Route Outward From Middle**, or **Route Left** to route triggers on that line in the described direction, or select **Disabled** for the default behavior with no manual routing.
4. Click the **Apply** button.

## Using System Configuration and Initialization Files

---

The PXI specification allows many combinations of PXI chassis and system modules. To assist system integrators, the manufacturers of PXI chassis and system modules must document the capabilities of their products. The minimum documentation requirements are contained in `.ini` files, which consist of ASCII text. System integrators, configuration utilities, and device drivers can use these `.ini` files.

The capability documentation for the PXI-1056 chassis is contained in the `chassis.ini` file on the software media that comes with the chassis. The information in this file is combined with information about the system controller to create a single system initialization file called `pxisys.ini` (PXI System Initialization). The system controller manufacturer either provides a `pxisys.ini` file for the particular chassis model that contains the system controller or provides a utility that can read an arbitrary `chassis.ini` file and generate the corresponding `pxisys.ini` file. System controllers from National Instruments use the Measurement & Automation Explorer (MAX) to generate the `pxisys.ini` file from the `chassis.ini` file.

Device drivers and other utility software read the `pxisys.ini` file to obtain system information. Device drivers should have no need to directly read the `chassis.ini` file. For detailed information regarding initialization files, refer to the PXI specification at [www.pxisa.org](http://www.pxisa.org).



---

# Maintenance

This chapter describes basic maintenance procedures you can perform on the PXI-1056 chassis.



**Caution** Disconnect the power cable prior to servicing the PXI-1056 chassis.

---

## Service Interval

Clean the chassis fan filter at a maximum interval of six months. Depending on the amount of use and ambient dust levels in the operating environment, the filter may require more frequent cleaning.

Clean dust from the chassis exterior (and interior) as needed, based on the operating environment. Periodic cleaning increases reliability.

---

## Preparation

The information in this chapter is designed for use by qualified service personnel. Read the *Read Me First: Safety and Radio-Frequency Interference* document included with your kit before attempting any procedures in this chapter.



**Caution** Many components within the chassis are susceptible to static discharge damage. Service the chassis only in a static-free environment. Observe standard handling precautions for static-sensitive devices while servicing the chassis. Always wear a grounded wrist strap, or equivalent, while servicing the chassis.

---

## Cleaning



**Caution** Always disconnect the AC power cable before cleaning or servicing the chassis.

Cleaning procedures consist of exterior and interior cleaning of the chassis and cleaning the fan filters. Refer to your module user documentation for information on cleaning individual CompactPCI or PXI modules.

## Interior Cleaning

Use a dry, low-velocity stream of air to clean the interior of the chassis. Use a soft-bristle brush for cleaning around components.

## Exterior Cleaning



**Cautions** Avoid getting moisture inside the chassis during exterior cleaning, especially through the top vents. Use just enough moisture to dampen the cloth.

Do *not* wash the front- or rear-panel connectors or switches. Cover these components while cleaning the chassis.

Do *not* use harsh chemical cleaning agents; they may damage the chassis. Avoid chemicals that contain benzene, toluene, xylene, acetone, or similar solvents.

Clean the exterior surfaces of the chassis with a dry lint-free cloth or a soft-bristle brush. If any dirt remains, wipe with a cloth moistened in a mild soap solution. Remove any soap residue by wiping with a cloth moistened with clear water. Do *not* use abrasive compounds on any part of the chassis.

## Cleaning and Replacing the Fan Filter

---

A dirty fan filter can dramatically reduce the cooling performance of the PXI-1056 chassis. Clean the filter whenever they become visibly dirty. You can easily remove the chassis air filter from the rear of the chassis by removing the filter retainer. The filter cover and retainer are shown in Figure 1-2, [Rear View of the PXI-1056 Chassis](#).

Clean the fan filter by washing it in a mild soap solution and then vacuuming or blowing air through it. Rinse the filter with water and allow it to dry before reinstalling it on the chassis.

If desired, you can replace the fan filter with part number 150139-C from Air Filtration Products, Inc., Tucson, AZ 85705.

The same filter media can be purchased in sheets, and cut to the appropriate size.

## Resetting the AC Mains Circuit Breaker

---

If the PXI-1056 is connected to an AC source and encounters an over-current condition, the circuit breaker on the rear panel will trip to prevent damage to the chassis. Complete the following steps to reset the circuit breaker.

1. Set the front-panel power switch to the Off position.
2. Disconnect the AC power cable.
3. Depress the circuit breaker to reset it.
4. Reconnect the AC power cable.
5. Set the power switch to the On position.

If the circuit breaker trips again, complete the following steps.

1. Press the front-panel power switch to the Standby position.
2. Disconnect the AC power cable.
3. Remove all modules from the chassis.
4. Complete the procedure described in the [Connecting to Power Source](#) section of Chapter 2, [Installation and Configuration](#). If any of the monitoring LEDs are not a steady green, contact National Instruments.
5. Verify that the PXI-1056 can meet the power requirements of your CompactPCI or PXI modules. Overloading the chassis can cause the breaker to trip. Refer to Appendix A, [Specifications](#).
6. The over-current condition that caused the circuit breaker to trip may be due to a faulty CompactPCI or PXI module. Refer to the documentation supplied with the modules for troubleshooting information.

## Replacing the Modular Power Supply

---

This section describes how to remove, configure, and install the PXI-1056 power-supply shuttle.



**Caution** Disconnect the power cable prior to replacing the power supply shuttle.

Before connecting the power-supply shuttle to a power source, read this section and the *Read Me First: Safety and Radio-Frequency Interference* document included with the kit.

## Removal

The PXI-1056 power-supply shuttle is a replacement part for the PXI-1056 chassis. Before attempting to replace the power-supply shuttle, verify that there is adequate clearance behind the chassis. Set the power switch on the front panel to the Off position. Disconnect the power cable and any other cables from the power-supply shuttle on the rear of the chassis. Identify the 4 screws that attach the power-supply shuttle back cover to the chassis. Refer to Figure 1-2, *Rear View of the PXI-1056 Chassis*, for the screw locations. Using a number 1 Phillips screwdriver, remove the screws. Pull on the two rear handles of the power-supply shuttle cover to remove it. Unscrew the two thumbscrews on the bottom of the power supply shuttle and remove the shuttle from the rear of the chassis.



**Note** The 4 power supply shuttle screws (4-40 × 1/4 in.) are not explicitly identified in Figure 1-2, *Rear View of the PXI-1056 Chassis*, but it can be used as a visual reference. There are four screws evenly spaced along the left and right edges.

## Installation

Ensure that there is no visible damage to the new power-supply shuttle. Verify that the housing and connector on the new power-supply shuttle have no foreign material inside. Install the new power-supply shuttle into the opening on the rear of the chassis. Tighten the two thumbscrews with a flat-head screwdriver using 5 in. lbs of torque, install the back cover, and tighten the 4 screws with a Phillips screwdriver (maximum torque of 5 in. lbs).

## Configuration

The fan-speed selector switch is on the rear panel of the power-supply shuttle. Refer to Figure 1-2, *Rear View of the PXI-1056 Chassis*, to locate the fan-speed selector. Select HIGH for maximum cooling performance (recommended) or AUTO for quieter operation. When set to AUTO, air-intake temperature determines the fan speed.

## Connecting Safety Ground

Refer to the *Connecting Safety Ground* section of Chapter 2, *Installation and Configuration*.

## Connecting to Power Source

Refer to the *Connecting to Power Source* section of Chapter 2, *Installation and Configuration*.

---

## Specifications



**Caution** If the PXI-1056 chassis is used in a manner inconsistent with the instructions or specifications listed by National Instruments, the protective features of the chassis may be impaired.

This appendix contains specifications for the PXI-1056 chassis.

### Electrical

#### AC Input

Input voltage range.....	100–240 VAC
Operating voltage range <sup>1</sup> .....	90–264 VAC
Input frequency .....	50/60 Hz
Operating frequency range <sup>1</sup> .....	47–63 Hz
Input current rating.....	10–5 A
Over-current protection.....	12 A circuit breaker
Line regulation	
3.3 V.....	<±1%
5 V.....	<±1%
±12 V .....	<±1%
Efficiency .....	70% minimum

---

<sup>1</sup> The operating range is guaranteed by design.

Power disconnect.....The AC power cable provides main power disconnect. Depressing the front-panel power switch controls the internal chassis power supply that provides DC power to the CompactPCI/PXI backplane.

## DC Output

DC current capacity ( $I_{MP}$ )

Voltage	0–55 °C
+3.3 V	40 A
+5 V	59 A
+12 V	9 A
–12 V	4.5 A

Load regulation

Voltage	Load Regulation
+3.3 V	<0.5%
+12 V	<0.5%
+5 V	<0.5%
–12 V	<0.5%

Maximum ripple and noise (20 MHz bandwidth)

Voltage	Maximum Ripple and Noise
+3.3 V	50 mV <sub>pp</sub>
+12 V	120 mV <sub>pp</sub>
+5 V	50 mV <sub>pp</sub>
–12 V	120 mV <sub>pp</sub>



**Caution** Be sure to limit DC output to 500 W above 50° C.

Over-current protection .....	All outputs protected from short circuit and overload with automatic recovery when the short or overload is removed.
Over-voltage protection <sup>1</sup>	
3.3 V, 5 V, +12 V, -12 V .....	130% above nominal output voltage
Power-supply shuttle MTTR.....	Replacement in under 5 minutes

## Chassis Cooling

Per slot cooling capacity .....	Slot cooling capacity is 25 W with fan speed set to HIGH
Slot airflow direction .....	P1 to P2, bottom of module to top of module

### Module cooling

System.....	Forced air circulation (positive pressurization) through one 220 cfm fan with HIGH/AUTO speed selector
Intake .....	Right rear of chassis
Exhaust.....	Along left side of chassis

### Power supply cooling

System.....	Forced air circulation through integrated fan
Intake .....	Right rear of chassis
Exhaust.....	Along left side of chassis

---

<sup>1</sup> To reset over-voltage protection, remove the mains for 30 seconds and then power back up.

## Safety

The PXI-1056 was designed to meet the requirements of the following standards of safety for electrical equipment for measurement, control, and laboratory use:

- EN 61010-1, IEC 61010-1
- UL 61010-1
- CAN/CSA-C22.2 No. 61010-1



**Note** For UL and other safety certifications, refer to the product label, or visit [ni.com/certification](http://ni.com/certification), search by model number or product line, and click the appropriate link in the Certification column.

## Electromagnetic Compatibility

EMC.....CE, C-Tick, and FCC Part 15 (Class A) compliant

Emissions .....EN 55011 Class A @ 10 m  
FCC Part 15A above 1 GHz

Immunity .....Evaluated to EN 61326:1997 +  
A2:2001, Table 1



**Note** For EMC compliance, operate this device with shielded cabling.

## CE Compliance

This product meets the essential requirements of applicable European Directives, as amended for CE marking, as follows:

Low-Voltage Directive (safety).....73/23/EEC

Electromagnetic Compatibility  
Directive (EMC) .....89/336/EEC



**Note** Refer to the Declaration of Conformity (DoC) for this product for any additional regulatory compliance information. To obtain the DoC for this product, visit [ni.com/certification](http://ni.com/certification), search by model number or product line, and click the appropriate link in the Certification column.



## Environmental

Operating temperature.....	0 to 55 °C
Storage temperature .....	-40 to 71 °C
Relative humidity	
Operating .....	10 to 90% non condensing
Nonoperational (storage) .....	5 to 95% non conducting
Shock	
Operational <sup>1,2</sup> .....	30 g peak, half sine, 11 ms pulse
Nonoperational <sup>1,2</sup> .....	30 g, half sine, 11 ms pulse
Operating location.....	Indoor use
Random vibration	
Operational <sup>1,3</sup> .....	5 to 500 Hz, 0.31 g <sub>RMS</sub>
Nonoperational <sup>1,3</sup> .....	5 to 500 Hz, 2.46 g <sub>RMS</sub>
Altitude.....	2,000 m
Measurement Category .....	II
Pollution Degree .....	2

---

<sup>1</sup> Ambient temperature 25 °C.

<sup>2</sup> Tested in accordance with IEC-60068-2-27. Test profile developed in accordance with MIL-PRF-28800F.

<sup>3</sup> Tested in accordance with IEC-60068-2-64. Nonoperating test profile developed in accordance with MIL-PRF-28800F and MIL-STD-810E Method 514.

## Backplane

Size .....	3U/6U-sized; one 3U system slot (with three system expansion slots) and 17 3U peripheral slots, or any combination up to 7 6U cards and 3U cards. Compliant with IEEE 1101.10 mechanical packaging. <i>PXI Hardware Specification, Revision 2.2</i> compliant. Accepts both PXI and CompactPCI (PICMG 2.0 R 3.0) 3U and 6U modules.
V(I/O) <sup>1</sup> .....	+5 V
Backplane bare-board material .....	UL 94 V-0 Recognized
Backplane connectors .....	Conforms to IEC 917 and IEC 1076-4-101, and are UL 94 V-0 rated

### 10 MHz System Reference Clock (10 MHz REF)

Maximum clock skew between slots.....	250 ps
Built-in 10 MHz clock	
Accuracy .....	±25 ppm (guaranteed over the operating temperature range)
Maximum jitter.....	.5 ps RMS in 10 Hz to 1 MHz range
External clock sources	
Connectors .....	Slot 2 J2 (pin D17; refer to Table B-4, <i>P2 (J2) Connector Pinout for the Star Trigger Slot</i> )
Input frequency.....	10 MHz ±100 ppm or better
Input amplitude	
Slot 2 .....	5 V or 3.3 V, 10 MHz TTL signal

---

<sup>1</sup> V(I/O) is connected to the +5 V DC power plane, so the same specs apply to V(I/O) and +5 V.

Maximum jitter introduced  
by backplane circuitry..... 1 ps RMS in 10 Hz to 1 MHz  
range

## Mechanical

Overall dimensions (standard chassis)

Height..... 177.8 mm (7.0 in.)



**Note** 14.5 mm (0.57 in.) is added to height when feet are installed.

Width ..... 431.8 mm (17.0 in.)

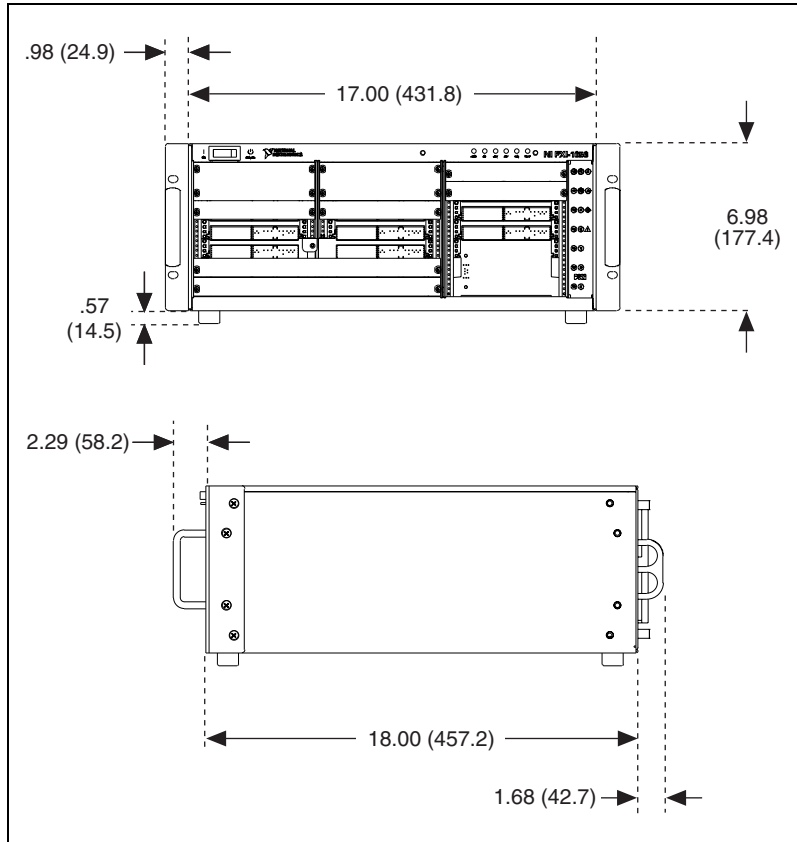
Depth..... 457.2 mm (18.0 in.)

Weight..... 11 kg (24.3 lbs)

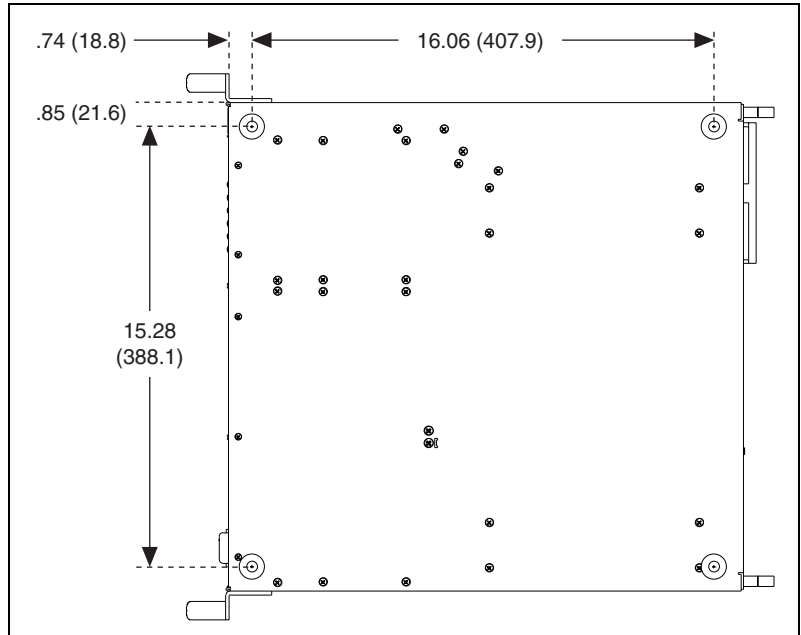
Chassis materials..... Sheet Aluminum (5052-H32,  
3003-H14, and 6061-T6),  
Extruded Aluminum (6060-T6),  
Cold Rolled Steel, PC-ABS,  
Santoprene, Nylon

Finish..... Conductive Clear Iridite  
on Aluminum  
Clear Chromate Zinc Plating  
on Cold Rolled Steel  
Polyurethane Enamel

Figures A-1 and A-2 show the PXI-1056 dimensions. The holes shown are for the installation of the optional rack-mount kits as shown in Figure A-3. Notice that the front and rear rack mounting holes (size M4) are symmetrical.

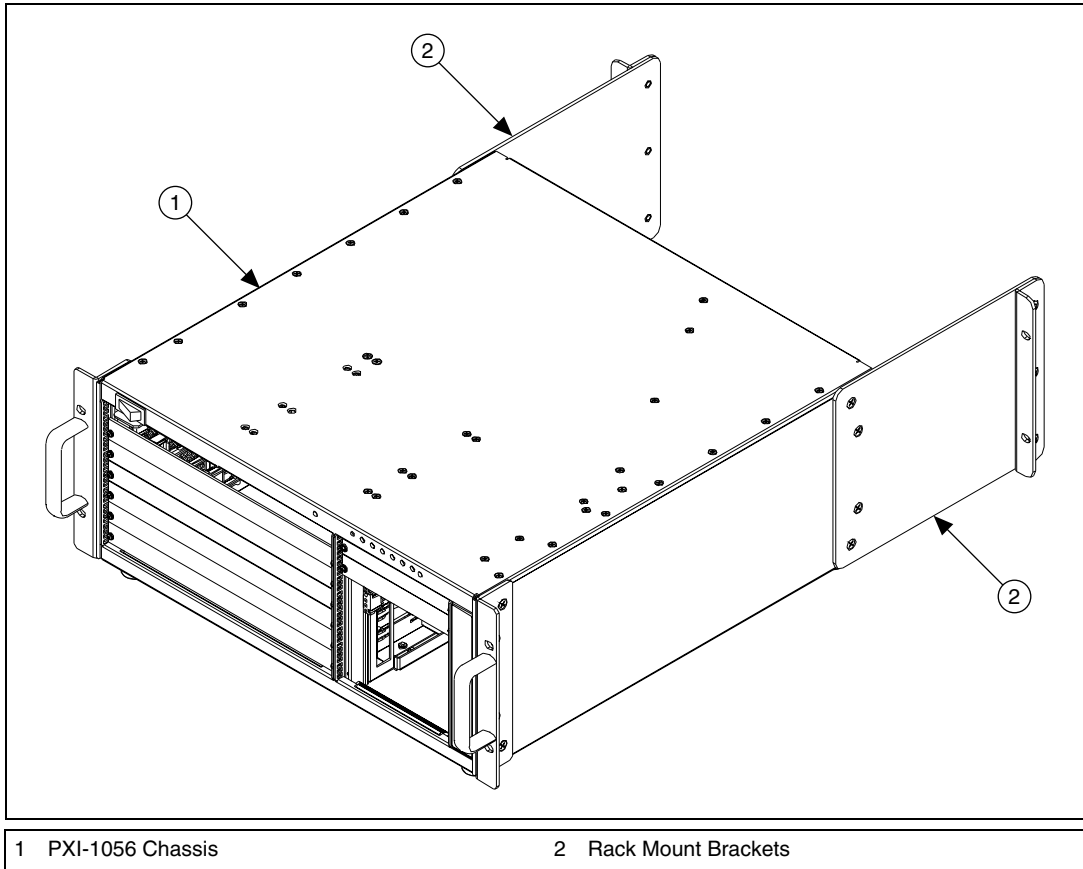


**Figure A-1.** PXI-1056 Dimensions (Front and Side) in Inches (mm)



**Figure A-2.** PXI-1056 Dimensions (Bottom) in Inches (mm)

Figure A-3 shows the PXI-1056 rack-mount kit components.



**Figure A-3.** PXI-1056 Rack Mount Components

---

# Pinouts

This appendix describes the P1 and P2 connector pinouts for the PXI-1056 backplane.

Table B-1 shows the P1 (J1) connector pinout for the System Controller slot.

Table B-2 shows the P2 (J2) connector pinout for the System Controller slot.

Table B-3 shows the P1 (J1) connector pinout for the star trigger slot.

Table B-4 shows the P2 (J2) connector pinout for the star trigger slot.

Table B-5 shows the P1 (J1) connector pinout for the peripheral slots.

Table B-6 shows the P2 (J2) connector pinout for the peripheral slots.



**Note** PXI signals are shown in bold.

For more detailed information, refer to the *PXI Hardware Specification, Revision 2.1*. Contact the PXI Systems Alliance for a copy of the specification or visit [www.pxisa.org](http://www.pxisa.org).

**Table B-1.** P1 (J1) Connector Pinout for the System Controller Slot

Pin	Z	A	B	C	D	E	F
25	GND	5V	REQ64#	ENUM#	3.3V	5V	GND
24	GND	AD[1]	5V	V(I/O)	AD[0]	ACK64#	GND
23	GND	3.3V	AD[4]	AD[3]	5V	AD[2]	GND
22	GND	AD[7]	GND	3.3V	AD[6]	AD[5]	GND
21	GND	3.3V	AD[9]	AD[8]	M66EN	C/BE[0]#	GND
20	GND	AD[12]	GND	V(I/O)	AD[11]	AD[10]	GND
19	GND	3.3V	AD[15]	AD[14]	GND	AD[13]	GND
18	GND	SERR#	GND	3.3V	PAR	C/BE[1]#	GND
17	GND	3.3V	IPMB_SCL	IPMB_SDA	GND	PERR#	GND
16	GND	DEVSEL#	GND	V(I/O)	STOP#	LOCK#	GND
15	GND	3.3V	FRAME#	IRDY#	GND	TRDY#	GND
12–14	Key Area						
11	GND	AD[18]	AD[17]	AD[16]	GND	C/BE[2]#	GND
10	GND	AD[21]	GND	3.3V	AD[20]	AD[19]	GND
9	GND	C/BE[3]#	GND	AD[23]	GND	AD[22]	GND
8	GND	AD[26]	GND	V(I/O)	AD[25]	AD[24]	GND
7	GND	AD[30]	AD[29]	AD[28]	GND	AD[27]	GND
6	GND	REQ0#	GND	3.3V	CLK0	AD[31]	GND
5	GND	BRSVP1A5	BRSVP1B5	RST#	GND	GNT0#	GND
4	GND	IPMB_PWR	HEALTHY#	V(I/O)	INTP	INTS	GND
3	GND	INTA#	INTB#	INTC#	5V	INTD#	GND
2	GND	TCK	5V	TMS	TDO	TDI	GND
1	GND	5V	-12V	TRST#	+12V	5V	GND



**Table B-2.** P2 (J2) Connector Pinout for the System Controller Slot

Pin	Z	A	B	C	D	E	F
22	GND	GA4	GA3	GA2	GA1	GA0	GND
21	GND	CLK6	GND	RSV	RSV	RSV	GND
20	GND	CLK5	GND	RSV	GND	RSV	GND
19	GND	GND	GND	SMB_SDA	SMB_SCL	SMB_ALERT#	GND
18	GND	<b>PXI_TRIG3</b>	<b>PXI_TRIG4</b>	<b>PXI_TRIG5</b>	GND	<b>PXI_TRIG6</b>	GND
17	GND	<b>PXI_TRIG2</b>	GND	PRST#	REQ6#	GNT6#	GND
16	GND	<b>PXI_TRIG1</b>	<b>PXI_TRIG0</b>	DEG#	GND	<b>PXI_TRIG7</b>	GND
15	GND	<b>PXI_BRSVA15</b>	GND	FAL#	REQ5#	GNT5#	GND
14	GND	BP(I/O)	BP(I/O)	BP(I/O)	GND	BP(I/O)	GND
13	GND	BP(I/O)	GND	V(I/O)	BP(I/O)	BP(I/O)	GND
12	GND	BP(I/O)	BP(I/O)	BP(I/O)	GND	BP(I/O)	GND
11	GND	BP(I/O)	GND	V(I/O)	BP(I/O)	BP(I/O)	GND
10	GND	BP(I/O)	BP(I/O)	BP(I/O)	GND	BP(I/O)	GND
9	GND	BP(I/O)	GND	V(I/O)	BP(I/O)	BP(I/O)	GND
8	GND	BP(I/O)	BP(I/O)	BP(I/O)	GND	BP(I/O)	GND
7	GND	BP(I/O)	GND	V(I/O)	BP(I/O)	BP(I/O)	GND
6	GND	BP(I/O)	BP(I/O)	BP(I/O)	GND	BP(I/O)	GND
5	GND	BP(I/O)	64EN#	V(I/O)	BP(I/O)	BP(I/O)	GND
4	GND	V(I/O)	<b>PXI_BRSVB4</b>	BP(I/O)	GND	BP(I/O)	GND
3	GND	CLK4	GND	GNT3#	REQ4#	GNT4#	GND
2	GND	CLK2	CLK3	SYSEN#	GNT2#	REQ3#	GND
1	GND	CLK1	GND	REQ1#	GNT1#	REQ2#	GND

**Table B-3.** P1 (J1) Connector Pinout for the Star Trigger Slot

Pin	Z	A	B	C	D	E	F
25	GND	5V	REQ64#	ENUM#	3.3V	5V	GND
24	GND	AD[1]	5V	V(I/O)	AD[0]	ACK64#	GND
23	GND	3.3V	AD[4]	AD[3]	5V	AD[2]	GND
22	GND	AD[7]	GND	3.3V	AD[6]	AD[5]	GND
21	GND	3.3V	AD[9]	AD[8]	M66EN	C/BE[0]#	GND
20	GND	AD[12]	GND	V(I/O)	AD[11]	AD[10]	GND
19	GND	3.3V	AD[15]	AD[14]	GND	AD[13]	GND
18	GND	SERR#	GND	3.3V	PAR	C/BE[1]#	GND
17	GND	3.3V	IPMB_SCL	IPMB_SDA	GND	PERR#	GND
16	GND	DEVSEL#	GND	V(I/O)	STOP#	LOCK#	GND
15	GND	3.3V	FRAME#	IRDY#	BD_SEL#	TRDY#	GND
12–14	Key Area						
11	GND	AD[18]	AD[17]	AD[16]	GND	C/BE[2]#	GND
10	GND	AD[21]	GND	3.3V	AD[20]	AD[19]	GND
9	GND	C/BE[3]#	IDSEL	AD[23]	GND	AD[22]	GND
8	GND	AD[26]	GND	V(I/O)	AD[25]	AD[24]	GND
7	GND	AD[30]	AD[29]	AD[28]	GND	AD[27]	GND
6	GND	REQ#	GND	3.3V	CLK	AD[31]	GND
5	GND	BRSVP1A5	BRSVP1B5	RST#	GND	GNT#	GND
4	GND	IPMB_PWR	HEALTHY#	V(I/O)	INTP	INTS	GND
3	GND	INTA#	INTB#	INTC#	5V	INTD#	GND
2	GND	TCK	5V	TMS	TDO	TDI	GND
1	GND	5V	-12V	TRST#	+12V	5V	GND

**Table B-4.** P2 (J2) Connector Pinout for the Star Trigger Slot

Pin	Z	A	B	C	D	E	F
22	GND	GA4	GA3	GA2	GA1	GA0	GND
21	GND	PXI_LBR0	RSV	PXI_LBR1	PXI_LBR2	PXI_LBR3	GND
20	GND	PXI_LBR4	PXI_LBR5	PXI_STAR0	GND	PXI_STAR1	GND
19	GND	PXI_STAR2	RSV	PXI_STAR3	PXI_STAR4	PXI_STAR5	GND
18	GND	PXI_TRIG3	PXI_TRIG4	PXI_TRIG5	GND	PXI_TRIG6	GND
17	GND	PXI_TRIG2	GND	RSV	PXI_CLK10_IN	PXI_CLK10	GND
16	GND	PXI_TRIG1	PXI_TRIG0	RSV	GND	PXI_TRIG7	GND
15	GND	PXI_BRSVA15	GND	RSV	PXI_STAR6	PXI_LBR6	GND
14	GND	RSV	RSV	RSV	GND	RSV	GND
13	GND	RSV	GND	V(I/O)	RSV	RSV	GND
12	GND	RSV	RSV	RSV	GND	RSV	GND
11	GND	RSV	GND	V(I/O)	RSV	RSV	GND
10	GND	RSV	RSV	RSV	GND	RSV	GND
9	GND	RSV	GND	V(I/O)	RSV	RSV	GND
8	GND	RSV	RSV	RSV	GND	RSV	GND
7	GND	RSV	GND	V(I/O)	RSV	RSV	GND
6	GND	RSV	RSV	RSV	GND	RSV	GND
5	GND	RSV	GND	V(I/O)	RSV	RSV	GND
4	GND	V(I/O)	PXI_BRSVB4	RSV	GND	RSV	GND
3	GND	PXI_LBR7	GND	PXI_LBR8	PXI_LBR9	PXI_LBR10	GND
2	GND	PXI_LBR11	PXI_LBR12	UNC	PXI_STAR7	PXI_STAR8	GND
1	GND	PXI_STAR9	GND	PXI_STAR10	PXI_STAR11	PXI_STAR12	GND

**Table B-5.** P1 (J1) Connector Pinout for the Generic Peripheral Slot

Pin	Z	A	B	C	D	E	F
25	GND	5V	REQ64#	ENUM#	3.3V	5V	GND
24	GND	AD[1]	5V	V(I/O)	AD[0]	ACK64#	GND
23	GND	3.3V	AD[4]	AD[3]	5V	AD[2]	GND
22	GND	AD[7]	GND	3.3V	AD[6]	AD[5]	GND
21	GND	3.3V	AD[9]	AD[8]	M66EN	C/BE[0]#	GND
20	GND	AD[12]	GND	V(I/O)	AD[11]	AD[10]	GND
19	GND	3.3V	AD[15]	AD[14]	GND	AD[13]	GND
18	GND	SERR#	GND	3.3V	PAR	C/BE[1]#	GND
17	GND	3.3V	IPMB_SCL	IPMB_SDA	GND	PERR#	GND
16	GND	DEVSEL#	GND	V(I/O)	STOP#	LOCK#	GND
15	GND	3.3V	FRAME#	IRDY#	BD_SEL#	TRDY#	GND
12–14	Key Area						
11	GND	AD[18]	AD[17]	AD[16]	GND	C/BE[2]#	GND
10	GND	AD[21]	GND	3.3V	AD[20]	AD[19]	GND
9	GND	C/BE[3]#	IDSEL	AD[23]	GND	AD[22]	GND
8	GND	AD[26]	GND	V(I/O)	AD[25]	AD[24]	GND
7	GND	AD[30]	AD[29]	AD[28]	GND	AD[27]	GND
6	GND	REQ#	GND	3.3V	CLK	AD[31]	GND
5	GND	BRSVP1A5	BRSVP1B5	RST#	GND	GNT#	GND
4	GND	IPMB_PWR	HEALTHY#	V(I/O)	INTP	INTS	GND
3	GND	INTA#	INTB#	INTC#	5V	INTD#	GND
2	GND	TCK	5V	TMS	TDO	TDI	GND
1	GND	5V	-12V	TRST#	+12V	5V	GND

**Table B-6.** P2 (J2) Connector Pinout for the Generic Peripheral Slot

Pin	Z	A	B	C	D	E	F
22	GND	GA4	GA3	GA2	GA1	GA0	GND
21	GND	PXI_LBR0	RSV	PXI_LBR1	PXI_LBR2	PXI_LBR3	GND
20	GND	PXI_LBR4	PXI_LBR5	PXI_LBL0	GND	PXI_LBL1	GND
19	GND	PXI_LBL2	RSV	PXI_LBL3	PXI_LBL4	PXI_LBL5	GND
18	GND	PXI_TRIG3	PXI_TRIG4	PXI_TRIG5	GND	PXI_TRIG6	GND
17	GND	PXI_TRIG2	GND	RSV	PXI_STAR	PXI_CLK10	GND
16	GND	PXI_TRIG1	PXI_TRIG0	RSV	GND	PXI_TRIG7	GND
15	GND	PXI_BRSVA15	GND	RSV	PXI_LBL6	PXI_LBR6	GND
14	GND	RSV	RSV	RSV	GND	RSV	GND
13	GND	RSV	GND	V(I/O)	RSV	RSV	GND
12	GND	RSV	RSV	RSV	GND	RSV	GND
11	GND	RSV	GND	V(I/O)	RSV	RSV	GND
10	GND	RSV	RSV	RSV	GND	RSV	GND
9	GND	RSV	GND	V(I/O)	RSV	RSV	GND
8	GND	RSV	RSV	RSV	GND	RSV	GND
7	GND	RSV	GND	V(I/O)	RSV	RSV	GND
6	GND	RSV	RSV	RSV	GND	RSV	GND
5	GND	RSV	GND	V(I/O)	RSV	RSV	GND
4	GND	V(I/O)	64EN#	RSV	GND	RSV	GND
3	GND	PXI_LBR7	GND	PXI_LBR8	PXI_LBR9	PXI_LBR10	GND
2	GND	PXI_LBR11	PXI_LBR12	UNC	PXI_LBL7	PXI_LBL8	GND
1	GND	PXI_LBL9	GND	PXI_LBL10	PXI_LBL11	PXI_LBL12	GND



---

# Technical Support and Professional Services

Visit the following sections of the National Instruments Web site at [ni.com](http://ni.com) for technical support and professional services:

- **Support**—Online technical support resources at [ni.com/support](http://ni.com/support) include the following:
  - **Self-Help Resources**—For answers and solutions, visit the award-winning National Instruments Web site for software drivers and updates, a searchable KnowledgeBase, product manuals, step-by-step troubleshooting wizards, thousands of example programs, tutorials, application notes, instrument drivers, and so on.
  - **Free Technical Support**—All registered users receive free Basic Service, which includes access to hundreds of Application Engineers worldwide in the NI Developer Exchange at [ni.com/exchange](http://ni.com/exchange). National Instruments Application Engineers make sure every question receives an answer.

For information about other technical support options in your area, visit [ni.com/services](http://ni.com/services) or contact your local office at [ni.com/contact](http://ni.com/contact).

- **Training and Certification**—Visit [ni.com/training](http://ni.com/training) for self-paced training, eLearning virtual classrooms, interactive CDs, and Certification program information. You also can register for instructor-led, hands-on courses at locations around the world.
- **System Integration**—If you have time constraints, limited in-house technical resources, or other project challenges, National Instruments Alliance Partner members can help. To learn more, call your local NI office or visit [ni.com/alliance](http://ni.com/alliance).
- **Declaration of Conformity (DoC)**—A DoC is our claim of compliance with the Council of the European Communities using the manufacturer's declaration of conformity. This system affords the user protection for electronic compatibility (EMC) and product safety. You can obtain the DoC for your product by visiting [ni.com/certification](http://ni.com/certification).

- **Calibration Certificate**—If your product supports calibration, you can obtain the calibration certificate for your product at [ni.com/calibration](http://ni.com/calibration).

If you searched [ni.com](http://ni.com) and could not find the answers you need, contact your local office or NI corporate headquarters. Phone numbers for our worldwide offices are listed at the front of this manual. You also can visit the Worldwide Offices section of [ni.com/niglobal](http://ni.com/niglobal) to access the branch office Web sites, which provide up-to-date contact information, support phone numbers, email addresses, and current events.

# Glossary

---

Symbol	Prefix	Value
p	pico	$10^{-12}$
n	nano	$10^{-9}$
$\mu$	micro	$10^{-6}$
m	milli	$10^{-3}$
k	kilo	$10^3$
M	mega	$10^6$
G	giga	$10^9$
T	tera	$10^{12}$

## Symbols

°	Degrees.
≥	Equal or greater than.
≤	Equal or less than.
%	Percent.
Ω	Ohms.

## A

A	Amperes.
AC	Alternating current.
ANSI	American National Standards Institute.
AUTO	Automatic fan speed control.
AWG	American Wire Gauge.



## B

- backplane An assembly, typically a printed circuit board, with connectors and signal paths that bus the connector pins.
- BNC Bayonet Neill Concelman connector; a commonly used coaxial connector.

## C

- C Celsius.
- cfm Cubic feet per minute.
- CFR Code of Federal Regulations.
- cm Centimeters.
- CompactPCI An adaptation of the Peripheral Component Interconnect (PCI) Specification 2.1 or later for industrial and/or embedded applications requiring a more robust mechanical form factor than desktop PCI. It uses industry standard mechanical components and high-performance connector technologies to provide an optimized system intended for rugged applications. It is electrically compatible with the PCI Specification, which enables low-cost PCI components to be utilized in a mechanical form factor suited for rugged environments.
- CSA Canadian Standards Association.

## D

- daisy-chain A method of propagating signals along a bus, in which the devices are prioritized on the basis of their position on the bus.
- DB-9 A 9-pin D-sub connector.
- DC Direct current.
- DoC Declaration of Conformity.
- D-sub Subminiature D connector.

**E**

efficiency	Ratio of output power to input power, expressed as a percentage.
EIA	Electronic Industries Association.
Embedded system controller	A module configured for installation in slot 1 of a PXI chassis. This device is unique in the PXI system in that it performs the system controller functions, including clock sourcing and arbitration for data transfers across the backplane. Installing such a device into any other slot can damage the device, the PXI backplane, or both.
EMC	Electromagnetic Compatibility.
EMI	Electromagnetic Interference.

**F**

FCC	Federal Communications Commission.
filler panel	A blank module front panel used to fill empty slots in the chassis.

**G**

g	(1) grams; (2) a measure of acceleration approximately equal to 9.8 m/s <sup>2</sup> .
GPIB	General Purpose Interface Bus (IEEE 488).
g <sub>RMS</sub>	A measure of random vibration. The root mean square of acceleration levels in a random vibration test profile.

**H**

hr	Hours.
Hz	Hertz; cycles per second.

## I

IEC	International Electrotechnical Commission; an organization that sets international electrical and electronics standards.
IEEE	Institute of Electrical and Electronics Engineers.
$I_{MP}$	Mainframe peak current.
in.	Inches.
inhibit	To turn off.

## J

jitter	A measure of the small, rapid variations in clock transition times from their nominal regular intervals. Units: seconds RMS.
--------	--

## K

kg	Kilograms.
km	Kilometers.

## L

lb	Pounds.
LED	Light emitting diode.
line regulation	The maximum steady-state percentage that a DC voltage output will change as a result of a specified change in input AC voltage (step change from 90 to 132 VAC or 180 to 264 VAC).
load regulation	The maximum steady-state percentage that a DC voltage output will change as a result of a step change from no-load to full-load output current.

**M**

m	Meters.
MAX	NI Measurement & Automation Explorer, the utility which allows you to configure and test your PXI system.
MHz	Megahertz. One million Hertz; one Hertz equals one cycle per second.
ms	Millisecond, one thousandth of a second ( $10^{-3}$ ).
MTBF	Mean time between failure.
MTTR	Mean time to repair.

**N**

NEMA	National Electrical Manufacturers Association.
NI	National Instruments.
NI-DAQmx	National Instruments driver which controls the operation of National Instruments data acquisition (DAQ) devices.
NI-VISA	National Instruments' implementation of the VISA (Virtual Instrument System Architecture) I/O standard. NI-VISA provides support for the VISA API, and also provides VISAIC, a utility for instrument configuration and I/O function execution.
ns	Nanosecond, one billionth of a second ( $10^{-9}$ ).

**P**

power-supply shuttle	A removable module that contains the chassis power supply.
ppm	Parts-per-million.
ps	Picosecond, one trillionth of a second ( $10^{-12}$ ).

**PXI** PCI eXtensions for Instrumentation. PXI is an implementation of CompactPCI with added electrical features that meet the high performance requirements of instrumentation applications by providing triggering, local buses, and system clock capabilities.

**PXI\_CLK10** 10 MHz PXI system reference clock.

## R

**RMS** Root mean square.

## S

**s** Seconds.

**skew** Deviation in signal transmission times.

**slot blocker** An assembly installed into an empty slot to improve the airflow in adjacent slots.

**ST** Star trigger.

**standby** The backplane is unpowered (off), but the chassis is still connected to AC power mains.

**star trigger slot** This slot is located at slot 2 and has a dedicated trigger line between each peripheral slot. Use this slot for a module with ST functionality that can provide individual triggers to all other peripherals.

**system reference clock** A 10 MHz clock, also called PXI\_CLK10, that is distributed to all peripheral slots in the chassis, as well as a BNC connector on the rear of chassis labeled *10 MHz REF OUT*. The system reference clock can be used for synchronization of multiple modules in a measurement or control system. The 10 MHz REF IN and OUT BNC connectors on the rear of the chassis can be used to synchronize multiple chassis to one reference clock. The PXI backplane specification defines implementation guidelines for PXI\_CLK10.

## **T**

TTL Transistor-transistor logic.

## **U**

UL Underwriter's Laboratories.

## **V**

V Volts.

VAC Volts alternating current, or  $V_{\text{rms}}$ .

$V_{\text{pp}}$  Peak-to-peak voltage.

## **W**

W Watts.

# Index

---

## A

AC power cables (table), 1-2

## C

cables, power (table), 1-2

calibration certificate (NI resources), C-2

chassis initialization file, 2-17

CompactPCI

installing modules (figure), 2-8

configuration. *See* installation, configuration, and operation

connector pinouts. *See* pinouts

conventions used in the manual, *vii*

cooling

air cooling of PXI-1056, 2-2

air intake (figure), 2-3

filler panel installation, 2-3

## D

Declaration of Conformity (NI resources), C-1

diagnostic tools (NI resources), C-1

dimensions (figure), A-8, A-9

documentation

conventions used in manual, *vii*

NI resources, C-1

related documentation, *viii*

drivers (NI resources), C-1

D-sub connector

pinout (table), 2-9

## E

electromagnetic compatibility, A-4

EMC filler panel kit, 1-4

examples (NI resources), C-1

## F

fan speed measurement commands, 2-11

filler panel installation, 2-3

## H

help

technical support, C-1

## I

installation, configuration, and operation

chassis initialization file, 2-17

configuration in MAX (figure), 2-15

filler panel installation, 2-3

installing a PXI controller, 2-5

module installation, 2-6, 2-7

CompactPCI or PXI modules  
(figure), 2-8

injector/ejector handle position  
(figure), 2-6

PXI configuration in MAX, 2-14

trigger configuration, 2-16

PXI controller installed in a PXI-1056  
chassis (figure), 2-7

remote voltage monitoring and inhibiting  
connector, 2-9

site considerations, 2-2

testing power up, 2-4

unpacking the PXI-1056, 1-1

instrument drivers (NI resources), C-1

## K

kit contents, 1-1

KnowledgeBase, C-1

**L**

- local bus
  - routing (figure), 1-7

**M**

- maintenance of PXI-1056
  - cleaning
    - exterior cleaning, 3-2
    - fan filter, 3-2
    - interior cleaning, 3-2
  - preparation, 3-1
  - service interval, 3-1
  - static discharge damage (caution), 3-1

**N**

- NI support and services, C-1

**P**

- P1 (J1) connector
  - peripheral slot (table), B-6
  - star trigger slot (table), B-4
  - system controller slot (table), B-2
- P2 (J2) connector
  - peripheral slot (table), B-7
  - star trigger slot (table), B-5
  - system controller slot (table), B-3
- peripheral slots
  - P1 (J1) connector pinouts (table), B-6
  - P2 (J2) connector pinouts (table), B-7
- pinouts, B-1
  - D-sub connector (table), 2-9
  - P1 (J1) connector
    - peripheral slot (table), B-6
    - star trigger slot (table), B-4
    - system controller slot (table), B-2
  - P2 (J2) connector
    - peripheral slot (table), B-7
    - star trigger slot (table), B-5
    - system controller slot (table), B-3
- power cables (table), 1-2
- power supply
  - connecting to, 2-4
  - remote voltage monitoring and inhibiting connector, 2-9
  - replacing
    - configuration, 3-4
    - connecting safety ground, 3-4
    - connecting to power source, 3-4
    - installation, 3-4
    - removal, 3-4
  - voltages at voltage monitoring connector (D-sub) (table), 2-9
- power switch LED indicator, 2-8
- power up, testing, 2-4
- programming examples (NI resources), C-1
- PXI controller, 2-5
  - installing in a PXI-1056 chassis (figure), 2-7
- PXI\_CLK10, 1-8
- PXI\_CLK10\_IN pin, 1-8
- PXI-1056
  - cooling air intake (figure), 2-3
  - fan speed, setting, 2-3
  - front view (figure), 1-3
  - key features, 1-2
  - optional equipment, 1-4
  - rack mount kits, 1-4
  - rack mounting, 2-4
  - rear view of chassis (figure), 1-4
  - safety ground, connecting, 2-4
- PXI-1056 backplane
  - interoperability with CompactPCI, 1-5
  - local bus, 1-6
  - overview, 1-5
  - peripheral slots, 1-6
  - specifications, A-6



- star trigger (ST) slot, 1-5
- system reference clock, 1-8
- trigger bus, 1-8

## R

- rack mount kit dimensions (figure), A-10
- related documentation, *viii*
- remote voltage monitoring and inhibiting connector
  - pinout (table), 2-9
- RS-232 command syntax, 2-10
  - fan speed measurement commands, 2-11
  - help menu requests, 2-14
  - request for all status, 2-13
  - temperature measurement commands, 2-11
  - voltage measurement commands, 2-12

## S

- safety and caution notices, 2-1
- safety specifications (table), A-4
- software (NI resources), C-1
- specifications
  - chassis cooling, A-3
  - dimensions (figure), A-8, A-9
  - electrical
    - AC input, A-1
    - DC output, A-2
  - electromagnetic compatibility, A-4
  - environmental, A-5
  - mechanical, A-7
  - rack mount kit dimensions (figure), A-10
  - safety, A-4
- star trigger (ST) slot
  - P1 (J1) connector pinouts (table), B-4
  - P2 (J2) connector pinouts (table), B-5

- support
  - technical, C-1
- system controller slot
  - description, 1-5
  - P1 (J1) connector pinouts (table), B-2
  - P2 (J2) connector pinouts (table), B-3

## T

- technical support, C-1
- temperature measurement commands, 2-11
- testing power up, 2-4
- training and certification (NI resources), C-1
- troubleshooting (NI resources), C-1

## U

- unpacking the PXI-1056, 1-1

## V

- voltage measurement commands, 2-12
- voltage monitoring connector. *See* D-sub connector

## W

- Web resources, C-1

## Free Manuals Download Website

<http://myh66.com>

<http://usermanuals.us>

<http://www.somanuals.com>

<http://www.4manuals.cc>

<http://www.manual-lib.com>

<http://www.404manual.com>

<http://www.luxmanual.com>

<http://aubethermostatmanual.com>

Golf course search by state

<http://golfingnear.com>

Email search by domain

<http://emailbydomain.com>

Auto manuals search

<http://auto.somanuals.com>

TV manuals search

<http://tv.somanuals.com>