

GETTING STARTED GUIDE

NI RF Signal Generators

This guide explains how to install, configure, test, and begin using NI RF signal generators. For more information, such as NI RF signal generator features and programming, refer to the *NI RF Signal Generators Help*, accessible at **Start»All Programs»National Instruments»NI-RFSG»Documentation**.

Refer to the specifications document that ships with your device for detailed specifications.

For the most current versions of documentation, visit ni.com/manuals.
For the most current example programs, visit ni.com/instruments.
For the latest version of NI-RFSG, visit ni.com/rf.

Contents

Conventions	2
1. Verifying System Requirements	4
2. Unpacking	4
3. Verifying Kit Contents	5
4. Installing the Software	7
Installing Application Development Software	7
Installing the NI-RFSG Instrument Driver	7
Installing Toolkits or Add-On Software	7
5. Installing the Hardware	8
PXI Modules	8
NI 5670/5671	8
Installing PXI Modules	8
PXI Express Modules	10
NI 5672	11
Cooling	13
6. Interconnecting the NI 5670/5671/5672 Modules	14
7. Configuring NI RF Signal Generators in MAX	16
Configuring the NI 5670/5671/5672 in MAX	16
Rename Both Modules	17
Associate the Upconverter with the AWG Module	18

Generate a Signal Using the NI 5670/5671/5672 RF Signal Generator Test Panel	18
Configuring the NI 5650/5651/5652 in MAX.....	19
Rename the NI 5650/5651/5652	20
Generate a Signal Using the NI 5650/5651/5652 RF Signal Generator Test Panel	20
8. Setting up Synchronization for NI-DAQmx Devices in MAX	21
9. Programming the RF Signal Generator	21
NI-RFSG Instrument Driver.....	22
NI-RFSG Examples.....	22
Appendix A: Hardware Front Panel Connectors and Indicators	23
NI 5610 RF Upconverter Module.....	23
NI 5421/5441 AWG Module.....	25
NI 5442 AWG Module.....	27
NI 5650/5651/5652 RF Signal Generator Module	29
Appendix B: Building a Basic NI-RFSG Application.....	30
Appendix C: Troubleshooting	35
Module Front Panel ACCESS LED is Off When PXI Chassis is On.....	35
Hardware Module Does Not Appear in MAX	36
Module Fails the Self-Test	37
Thermal Shutdown Error	37
Performance Issues Using A MXI Connection	37
Where to Go for Support	38

Conventions

The following conventions are used in this manual:

» The » symbol leads you through nested menus to a final action. The sequence **File»Page Setup»Options** directs you to pull down the **File** menu, select the **Page Setup** item, and select **Options** from the last dialog box.

◆ The ◆ symbol indicates that the following text applies only to a specific product, a specific operating system, or a specific software version.



This icon denotes a tip, which alerts you to advisory information.



This icon denotes a note, which alerts you to important information.



This icon denotes a caution, which advises you of precautions to take to avoid injury, data loss, or a system crash.



If the NI RF signal generator has been in use, it may exceed safe handling temperatures and cause burns. Allow the NI RF signal generator to cool before removing it from the chassis.

AWG	Arbitrary Waveform Generator—refers to the NI-RFSG-supported arbitrary waveform generator hardware module used in the NI 5670/5671/5672 devices.
bold	Bold text denotes items that you must select or click in the software, such as menu items and dialog box options. Bold text also denotes parameter names.
<i>italic</i>	Italic text denotes variables, emphasis, a cross-reference, or an introduction to a key concept. Italic text also denotes text that is a placeholder for a word or value that you must supply.
module	Refers to the NI 5650/5651/5652 hardware or to one of the two hardware components of the NI 5670/5671/5672 RF signal generator: the AWG PXI/PXIe module or the upconverter module.
monospace	Text in this font denotes text or characters that you enter from the keyboard. This font is also used for the proper names of paths, directories, programs, functions, operations, variables, and filenames.
MXI	Multisystem Xtension Interface—a high-speed serial interface bus designed to connect computers to PXI or to connect multiple PXI chassis. In this document, MXI refers to MXI-3, MXI-4, or MXI-Express systems.
NI 5421/5441/5442	NI 5421/5441/5442 refers to the PXI/PXIe AWG module included with the NI 5610 upconverter module to make up the NI 5670/5671/5672. Supported AWG modules include the NI PXI-5421, NI PXI-5441, and NI PXIe-5442.
NI 5650/5651/5652	NI 5650/5651/5652 refers to the NI PXI-5650, NI PXI-5651, or NI PXI-5652 RF signal generators. These devices consist of a single PXI hardware module.
NI 5670/5671/5672	NI 5670/5671/5672 refers to the NI PXI-5670, NI PXI-5671, or NI PXIe-5672 RF signal generators. The NI 5670/5671/5672 instruments are comprised of an upconverter hardware module, a PXI/PXIe AWG hardware module, and the NI-RFSG instrument driver. There is no single physical device labeled “NI PXI-5670,” “NI PXI-5671,” or “NI PXIe-5672.”
Platform	Text in this font denotes a specific platform and indicates that the text following it applies only to that platform.
PLL	Phase-Locked Loop—an electronic circuit that controls an oscillator so that the circuit maintains a constant phase angle relative to a reference signal.

PXI/PXIe	Refers to a PXI or PXI Express module.
PXI Express compatible module	A PXI module compatible with existing PXI slots and PXI hybrid slots. PXI Express compatible modules maintain hardware and software compatibility, with the exception of local bus functionality.
RF	Radio Frequency—refers to the signal output from the RF OUTPUT connector on the NI RF signal generator device front panels.
upconverter	A device that frequency-translates IF signals to center around a specified RF frequency—refers to an NI 5610, 2-slot RF upconverter hardware module.

1. Verifying System Requirements

Your system must meet certain requirements to use NI RF vector signal generators. For more information about minimum system, recommended system, and supported application development environments (ADEs), refer to the *NI-RFSG Instrument Driver Readme*, which is available on the NI-RFSG CD.

After you install NI-RFSG, you can access the *NI-RFSG Instrument Driver Readme* at **Start»All Programs»National Instruments»NI-RFSG»Documentation**.

2. Unpacking

NI RF signal generator hardware modules ship in antistatic packages to prevent damage from electrostatic discharge (ESD). Because ESD can damage several components of the NI RF signal generator, store all NI RF signal generator hardware modules in the antistatic envelopes when not in use.



Caution *Never* touch exposed connector pins.

To avoid damage when handling NI RF signal generator hardware modules, take the following precautions:

- Ground yourself using a grounding strap or by touching a grounded object.
- Touch the antistatic package to a metal part of the computer chassis before removing the hardware module from the package.

Remove each hardware module from its package and inspect it for loose components or any signs of damage. Notify NI if either hardware module

appears damaged in any way. Do *not* install a damaged module into the system.

3. Verifying Kit Contents

Verify that the kit contains the following items required to set up and use the NI RF signal generator:

- CDs, which install the following software components:
 - NI-RFSG instrument driver, including NI-RFSG examples
 - Hardware and software electronic documentation:
 - *NI RF Signal Generators Help* (online help)
 - *NI RF Signal Generators Getting Started Guide* (PDF)
 - Specifications documents for your device (PDF)
 - Hardware user manual for your device (PDF)
- Printed documents:
 - The specifications document for your NI RF signal generator
 - *NI RF Signal Generators Getting Started Guide* (this document)
 - *Read Me First: Safety and Radio-Frequency Interference*
 - *Maintain Forced-Air Cooling Note to Users*
- Either an NI 5670/5671/5672 or NI 5650/5651/5652 device. The components required for installing each device are described in Tables 1 and 2, respectively. All the components listed should be included in the kit unless otherwise noted.

Table 1. NI 5670/5671/5672 Required Parts Inventory and Replacement Part Numbers

Hardware Component	Replacement Part Number
Two hardware modules: <ul style="list-style-type: none"> • NI 5610 wideband RF upconverter module • NI 5421, NI 5441, or NI 5442 AWG module 	778737-01 778697-0X ¹ (NI PXI-5421); 779058-0X ¹ (NI PXI-5441); 779990-0X ¹ (NI PXIe-5442)
Two semi-flexible SMA-to-SMB coaxial cables	190846A-01
1/8-in. combination Phillips/flathead screwdriver	772006-01
Plastic collars (cable wrenches) for gripping the coaxial cable hex connectors	746016-01

Table 1. NI 5670/5671/5672 Required Parts Inventory and Replacement Part Numbers (Continued)

Hardware Component	Replacement Part Number
NI PXI-1042 chassis with controller (for NI 5670/5671 <i>only</i> , not included)	778636-01
NI PXIe-1062Q chassis with controller (for NI 5672 <i>only</i> , not included)	779633-01
PXI/PXIe Chassis Slot Blockers (optional, not included)	778678-01
PXI/PXIe Chassis Filler Panels (optional, not included)	778679-01
100 N-cm SMA torque wrench (not included)	N/A
¹ Part numbers on the NI PXI/PXIe-5421/5441/5442 modules vary according to memory size.	

Table 2. NI 5650/5651/5652 Required Parts Inventory and Replacement Part Numbers

Hardware Component	Replacement Part Number
NI PXI-5650	779670-00
NI PXI-5651	779670-01
NI PXI-5652	779670-02
1/8-in. combination Phillips/flathead screwdriver	772006-01
NI PXI-1042 chassis with controller (not included)	778636-01
PXI/PXIe Chassis Slot Blockers (optional, not included)	778678-01
PXI/PXIe Chassis Filler Panels (optional, not included)	778679-01
100 N-cm SMA torque wrench (not included)	N/A

4. Installing the Software

This section describes the software installation process for NI RF signal generators.

Installing Application Development Software

You can create applications for NI RF signal generators using application development environments (ADE) such as LabVIEW, LabWindows™/CVI™, or other development environments.

Any ADE you intend to use must be installed before you install your driver software.

Installing the NI-RFSG Instrument Driver

Complete the following steps to install the contents of the NI-RFSG CDs:

1. Insert the NI-RFSG Disk 1 into the CD drive. The NI-RFSG installer should open automatically.



Note If the installation window does not appear, navigate to the CD drive, double-click the drive, and double click `setup.exe`.

2. Follow the instructions in the installation prompts to complete the NI-RFSG installation. For troubleshooting information, contact NI technical support or visit ni.com/support.

(Windows Vista) Users may see access and security messages during installation. Accept the prompts to complete the installation.

3. When the installer completes, a dialog box appears that asks if you want to restart, shut down, or restart later. Select **Restart**.

Installing Toolkits or Add-On Software

Optional add-on software, such as the Modulation Toolkit, extends the generation capability of NI RF signal generators for modulation-domain and frequency-domain applications. Install any toolkits or add-on software you intend to use with the NI RF signal generator after installing the NI-RFSG instrument driver.



Note You must install the NI-RFSG instrument driver before installing the Modulation Toolkit add-on software in order to properly install the Modulation Toolkit examples for NI-RFSG. If the Modulation Toolkit is already installed, repeat or repair the Modulation Toolkit installation after installing NI-RFSG.

5. Installing the Hardware

This section describes how to install hardware for PXI platforms.

PXI Modules

NI PXI modules are sensitive instruments that should be handled carefully. Do not expose the module to temperatures or humidity beyond the rated maximums. Keep the module free of dust by cleaning with compressed air only. Do not clean the module with any solvents or liquids. Refer to the [Cooling](#) section for more information about module cooling.



You can install PXI modules in any PXI slot marked with a peripheral slot compatibility glyph (a circle containing the slot number).



You also can install PXI modules in any PXI hybrid slot marked with a peripheral slot compatibility glyph (the letter “H” and a solid circle containing the slot number).

NI 5670/5671

Installation of the NI 5670/5671 hardware requires three vacant PXI slots—two slots for the NI 5610 upconverter module and one slot for the NI 5421/5441 AWG module. The NI 5421/5441 AWG module must be installed in the slot *immediately* to the right of the NI 5610 upconverter module to allow use of the included SMA-to-SMB coaxial cables.



Caution SMA connectors *must* be connected and tightened before the SMB or AWG connectors are mated to preserve cable life and reduce stress on the SMB connectors.



Note **PXI Chassis *only***—the NI 5610 upconverter module onboard frequency reference can drive the PXI backplane clock *only* if the upconverter module is installed in PXI Slot 2. When the NI 5610 is installed in PXI Slot 2, you can configure it to lock the PXI backplane to the NI 5610 onboard oven-controlled crystal oscillator (OCXO) or to an external frequency source (connected to the REF IN connector on the NI 5610 module front panel).

Installing PXI Modules

To install a PXI module, complete the following steps:

1. Power off and unplug the PXI chassis.
2. Make sure that the fans are set to HIGH if the PXI chassis has multiple fan speed settings.
3. Position the PXI chassis so that inlet and outlet vents are not obstructed. For more information, refer to the chassis documentation.

4. Remove the black plastic connectors from all the captive screws in the module front panel.
5. Make sure that the ejector handle is in the unlatched (downward) position.
6. Hold the module by the ejector handle and slide it into an empty slot.
7. Slide the module completely into the chassis and latch it by pulling up on the ejector handle.
8. Tighten the captive screws at the top and bottom of the module front panel. Performance may suffer if both screws are not tightened properly.
9. Verify that the PXI chassis fans are operable and free of dust and other contaminants that may restrict airflow.
10. Cover all empty PXI slots using PXI filler panels or slot blockers before operating the module.
11. Plug in and power on the PXI chassis.

Figure 1 shows the correct installation of a PXI module into a compatible chassis slot.

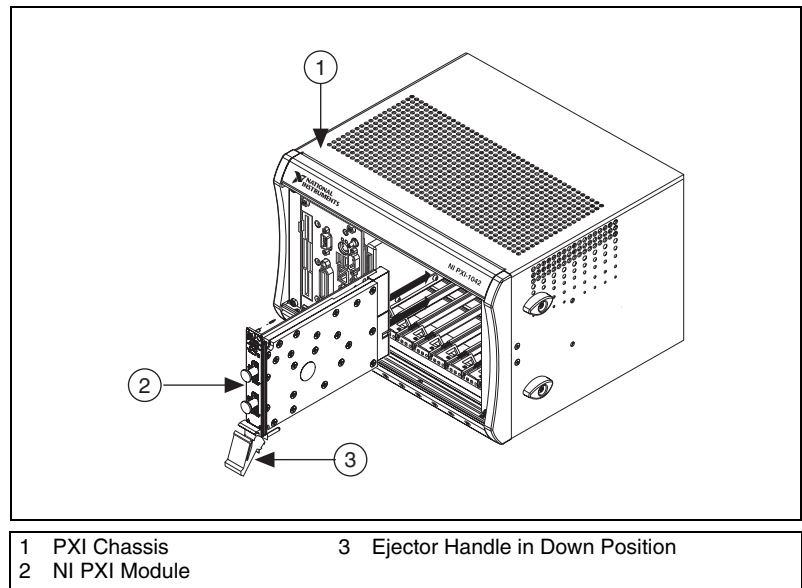


Figure 1. PXI Module Installation

Installing the NI 5610 Upconverter Module

Install the NI 5610 RF upconverter module by completing steps 1 through 11 under the [Installing PXI Modules](#) section.

After completing all the steps, continue with the procedure in the [Installing the NI 5421/5441 AWG Module](#) section.

Installing the NI 5421/5441 AWG Module

Install the NI 5421/5441 AWG module by completing steps 1 through 11 in the [Installing PXI Modules](#) section.

After completing all the steps, continue with the procedure in section 6. [Interconnecting the NI 5670/5671/5672 Modules](#).

Installing the NI 5650/5651/5652

Install the NI 5650/5651/5652 by completing steps 1 through 11 in the [Installing PXI Modules](#) section.

After completing all the steps, continue with the procedure in the [Configuring the NI 5650/5651/5652 in MAX](#) section.

PXI Express Modules

NI PXI Express (PXIe) modules are sensitive instruments that should be handled carefully. Do not expose the module to temperatures or humidity beyond the rated maximums. Keep the module free of dust by cleaning with compressed air only. Do not clean the module with any solvents or liquids. Refer to the [Cooling](#) section for more information about module cooling.

7^H

You can install PXI Express modules in any PXI hybrid slot marked with a peripheral slot compatibility glyph (the letter “H” and a solid circle containing the slot number).

8

You can also install PXIe modules in any PXIe slot marked with a peripheral slot compatibility glyph (a solid circle containing the slot number).

Follow the installation instructions in the [Installing PXI Modules](#) section to install the PXI Express module in a PXI Express-compatible slot of the chassis. Refer to the chassis documentation for more information about which slots are designated for PXI Express modules.

Figure 2 shows the correct installation of a PXI Express module into a compatible chassis slot.

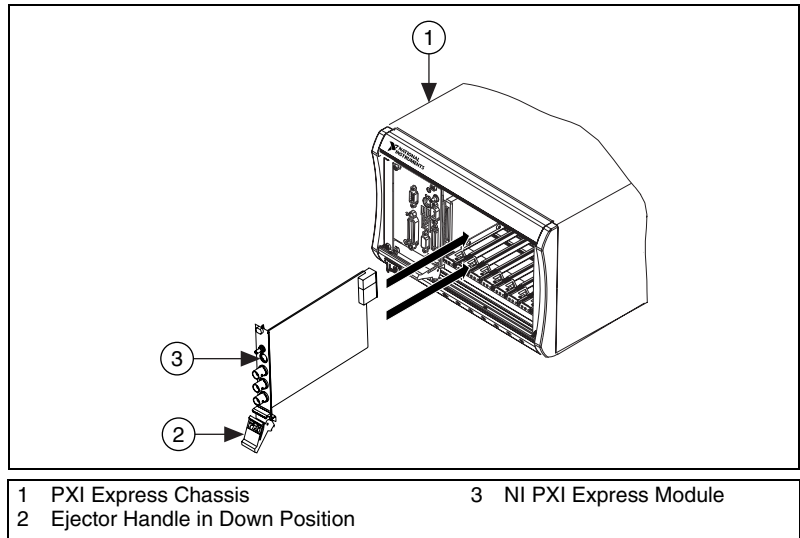


Figure 2. PXI Express Module Installation

NI 5672

Installation of the NI 5672 hardware requires three vacant slots—two PXI slots for the NI 5610 upconverter module and one PXIe compatible slot for the NI 5442 AWG module. The NI 5442 AWG module must be installed in the slot *immediately* to the right of the NI 5610 upconverter module to allow use of the included SMA-to-SMB coaxial cables.



Caution SMA connectors *must* be connected and tightened before the SMB or AWG connectors are mated in order to preserve cable life and reduce stress on the SMB connectors.

Figure 3 and Figure 4 show the two possible slot configurations for the NI 5672 module in an 8-slot PXI Express chassis.

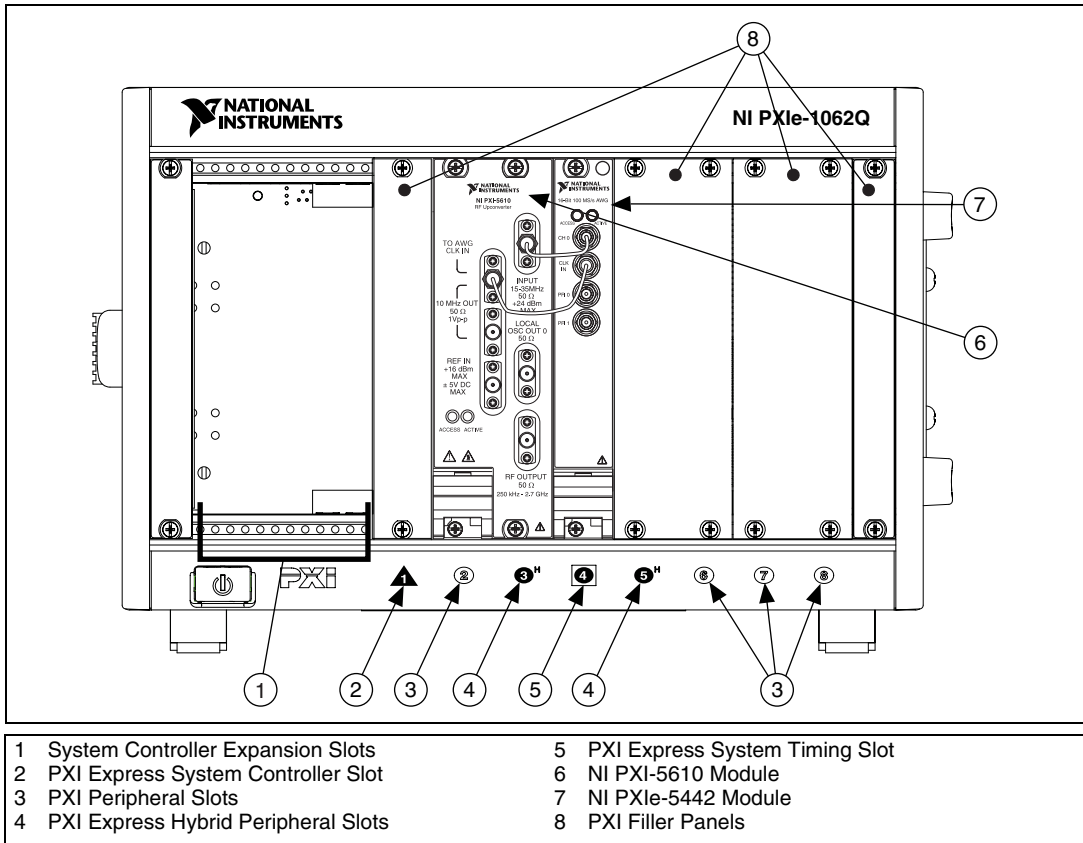


Figure 3. NI 5672 Module in Slots 2, 3, and 4

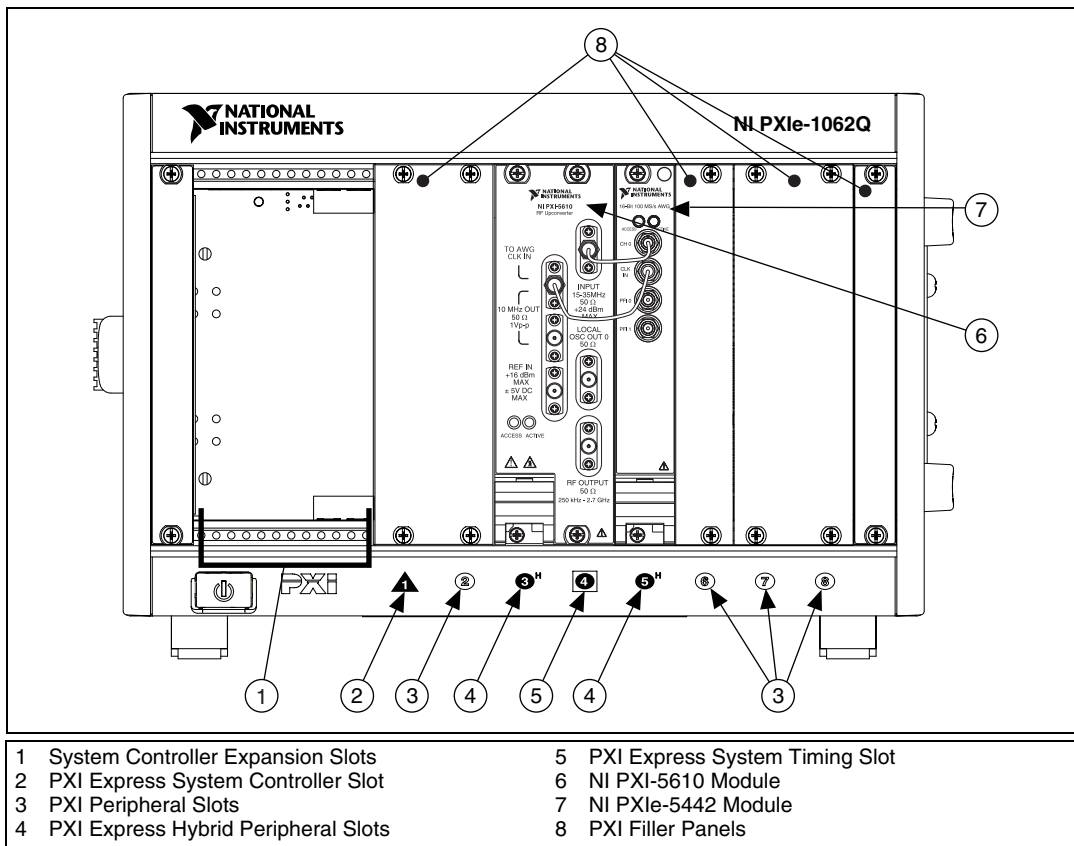


Figure 4. NI 5672 Module in Slots 3, 4, and 5



Note The NI PXI-5610 module blocks the PXI Express System Timing Slot in the configuration shown in Figure 4.

Installing the NI 5442 AWG Module

Install the NI 5442 AWG module by completing steps 1 through 11 in the [Installing PXI Modules](#) section.

After completing all the steps, continue with the procedure in section 6. [Interconnecting the NI 5670/5671/5672 Modules.](#)

Cooling

When installing the hardware, refer to the guidelines in the *Maintain Forced-Air Cooling Note to Users* included with the NI RF signal generator to ensure that the device can cool itself effectively.



Caution Inadequate air circulation could cause the temperature inside the chassis to rise above the optimal operating temperature for the NI RF signal generator, potentially causing thermal shutdown, shorter lifespans, or improper performance.

- ◆ NI 5670/5671/5672

Under conditions of proper air flow and 25 °C (63 °F) ambient temperatures, the NI 5610 upconverter module operates at internal temperatures of approximately 45 °C (113 °F), the NI 5421 module at approximately 51 °C (124 °F), and the NI 5441/5442 module at approximately 58 °C (136 °F).

- ◆ NI 5650/5651/5652

Under conditions of proper air flow and 25 °C (63 °F) ambient temperatures, the NI 5650/5651/5652 operates at internal temperatures of approximately 38 °C (100 °F).



Hot Surface If the NI RF signal generator has been in use, it may exceed safe handling temperatures and cause burns. Allow the NI RF signal generator to cool before removing it from the PXI chassis.



Tip NI recommends that you install PXI slot blockers between the NI RF signal generator and adjacent hardware modules to maximize cooling air flow.

6. Interconnecting the NI 5670/5671/5672 Modules

The NI 5670/5671/5672 hardware modules interconnect through the front panels. Complete the following steps to interconnect the NI 5670/5671/5672 hardware module front panel connectors as shown in Figure 5.

1. Connect the INPUT connector on the NI 5610 upconverter module to the CH 0 connector on the NI 5421/5441/5442 AWG module.
2. Connect the TO AWG CLK IN connector on the NI 5610 upconverter module to the CLK IN connector on the NI 5421/5441/5442 AWG module.



Note Published NI 5670/5671/5672 RF signal generator specifications assume use of the included cables. Substituting different cables may affect performance.

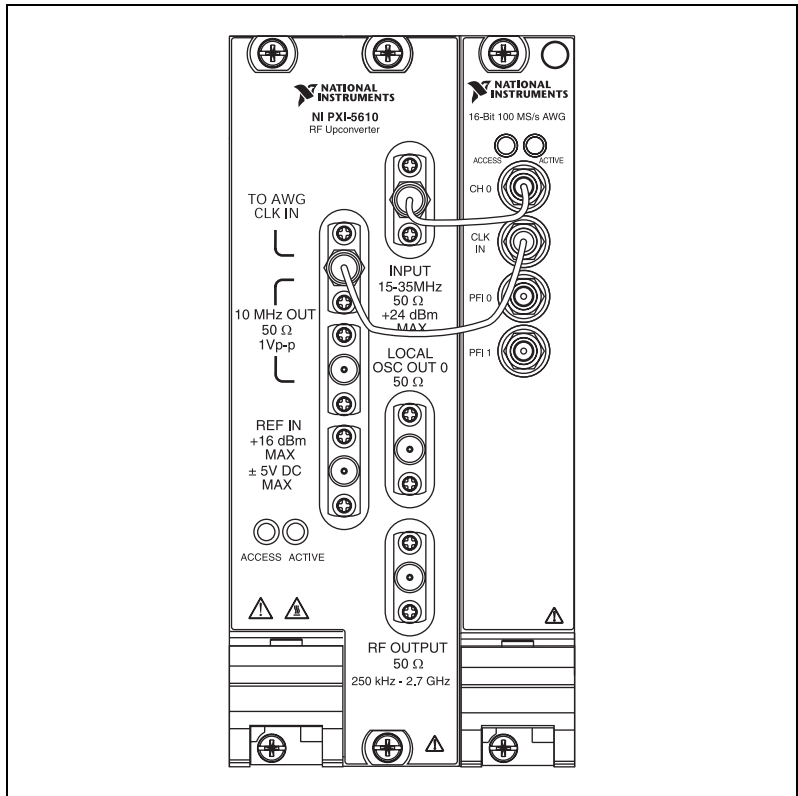


Figure 5. Proper NI 5670/5671/5672 Front Panel Interconnection

3. Carefully tighten all SMA connectors to 100 N-cm using an SMA torque wrench (not included), as shown in Figure 6. Tighten only until the wrench clicks.



Note Incorrect torque at SMA connections can degrade signal fidelity, PLL performance, and insertion loss. Use an SMA torque wrench to ensure all SMA connections are properly torqued to 100 N-cm.

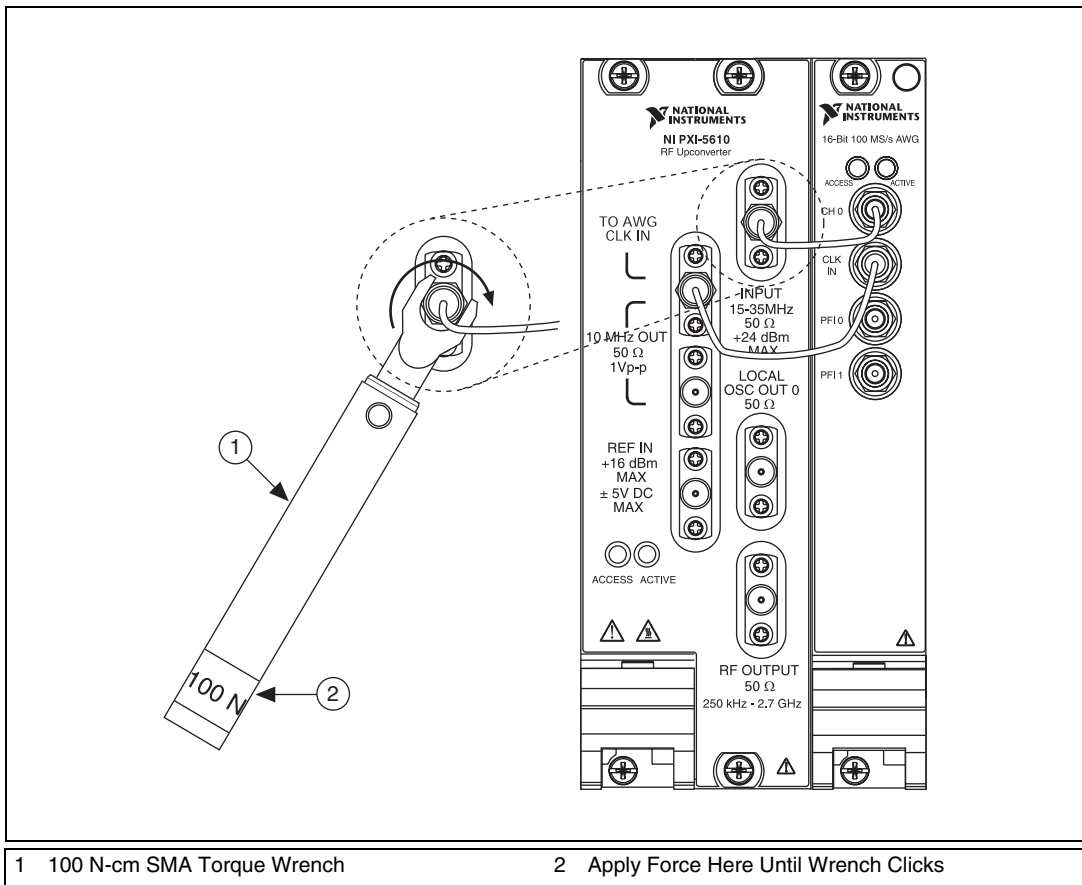


Figure 6. Torque All SMA Connectors to 100 N-cm

4. Power up the PXI chassis and controller system.
5. Verify that the ACCESS LEDs on both modules are illuminated. If the LEDs are not illuminated, refer to [Appendix C: Troubleshooting](#).

7. Configuring NI RF Signal Generators in MAX

Use Measurement & Automation Explorer (MAX) to configure your National Instruments hardware. MAX informs other programs about which devices reside in the system and how they are configured. MAX is automatically installed with NI-RFSG.

Configuring the NI 5670/5671/5672 in MAX



Note MAX treats the NI 5610 upconverter module and the NI 5421/5441/5442 AWG module as separate but associated devices. The MAX association is necessary for

transparent operation of both modules as a single instrument (the NI 5670/5671/5672) using NI-RFSG.

To use MAX to configure, self-test, associate, and generate signals with the NI 5670/5671/5672, complete the following steps:



1. Launch MAX by navigating to **Start»All Programs»National Instruments»Measurement & Automation** or by clicking the MAX desktop icon.
2. In the Configuration pane, double-click **Devices and Interfaces** to see the list of installed devices.
3. Expand the **NI-DAQmx Devices** folder. You will see a list of installed devices that includes the NI PXI-5610 upconverter module and an AWG module.



Note Refer to [Appendix C: Troubleshooting](#) if you do not see both the NI PXI-5421/5441/5442 AWG module and the NI PXI-5610 upconverter module listed.



Note If you are using a MXI interface to control a PXI chassis and encounter performance or initialization issues, refer to your MXI documentation to ensure that the MXI interface is properly set up. Software optimization might be necessary. For MXI-3 optimization, select **Start»All Programs»National Instruments MXI-3»MXI-3 Optimization**. MXI-4 optimization is performed automatically by the MXI-4 hardware.

Rename Both Modules

MAX allows you to rename both NI 5670/5671/5672 hardware modules. The MAX name is used in software to operate the NI 5670/5671/5672 hardware resources. You do not have to change the module names from the default but doing so can make programming easier.

To rename both NI 5670/5671/5672 hardware modules, complete steps 4 through 10. If you do not wish to rename the modules, proceed to step 11.

4. Right-click the NI 5610 upconverter module and select **Rename** from the shortcut menu.
5. Enter the new name for the NI 5610 upconverter module.



Note The device name must consist only of alphanumeric and underscore characters.

6. Click **OK**.
7. Right-click the AWG module and select **Rename** from the shortcut menu.
8. Enter the new name for the AWG module.

9. Click **OK**.
10. Verify that the new names for both modules are displayed.

Associate the Upconverter with the AWG Module

You must create a MAX association between the NI 5610 upconverter module and the NI 5421/5441/5442 AWG module to control both hardware modules as a single NI RF signal generator. Complete steps 11 through 13 to make this association.

11. Right-click **NI PXI-5610** and select **Properties**.
12. In the NI 5610 Device Properties dialog box, use the drop-down listbox to specify the NI 5421/5441/5442 AWG module that is connected to the NI 5610 by front panel coaxial cables. Refer to section 6. *Interconnecting the NI 5670/5671/5672 Modules* for more information about cable connections.



Note If you rename the NI 5421/5441/5442 AWG module after association, you must repeat the association. Association between NI 5670/5671/5672 hardware modules is lost when a previously associated AWG module is renamed.

13. Click **OK** to close the dialog box.

Generate a Signal Using the NI 5670/5671/5672 RF Signal Generator Test Panel

To verify your device configuration, use the NI-RFSG test panel in MAX to generate a simple signal using the NI RF signal generator hardware. The NI-RFSG test panel tests both NI 5670/5671/5672 hardware modules as a single instrument. Complete the following steps to use the NI RF signal generator test panel.



Note This test requires front panel interconnection, as shown in Figure 5, and the association of an NI 5421/5441/5442 AWG module with the NI 5610 upconverter module as described in the *Associate the Upconverter with the AWG Module* section.

1. Right-click the NI PXI-5610 upconverter module, and select **Test Panels**.
2. In the NI PXI-5670/5671/5672 tab of the Test Panels dialog box, specify a frequency and a power level for signal generation.



Caution Running the test panel generates a signal from the RF OUTPUT front panel connector. Disconnect any equipment that can be damaged by the test signal prior to running the test panel.

3. The test panel allows you to verify that the device is operating properly. Click **Start** to begin signal generation. During signal generation the ACTIVE LEDs on both NI 5670/5671/5672 hardware modules are activated.



Note Refer to [Appendix C: Troubleshooting](#) if either ACTIVE LED does not illuminate or if the NI RF signal generator test panel generates an error.

4. Click **Stop** to stop waveform generation.
5. Click **Close** to return to MAX.
6. Exit MAX.

You have completed setup, configuration, and testing of the NI 5670/5671/5672 RF signal generator.

Configuring the NI 5650/5651/5652 in MAX

To use MAX to configure, self-test, associate, and generate signals with the NI 5650/5651/5652, complete the following steps:



1. Launch MAX by navigating to **Start»All Programs»National Instruments»Measurement & Automation** or by clicking the MAX desktop icon.
2. In the Configuration pane, double-click **Devices and Interfaces** to see the list of installed devices.
3. Expand the **NI-DAQmx Devices** folder. You will see a list of installed devices that includes the NI PXI-5650/5651/5652 RF signal generator module.



Note Refer to [Appendix C: Troubleshooting](#) if you do not see the NI PXI-5650/5651/5652 module listed.



Note If you are using a MXI interface to control a PXI chassis and encounter performance or initialization issues, refer to your MXI documentation to ensure that the MXI interface is properly set up. Software optimization might be necessary. For MXI-3 optimization, select **Start»All Programs»National Instruments MXI-3»MXI-3 Optimization**. MXI-4 optimization is performed automatically by the MXI-4 hardware.

4. Perform a device self-test to verify installation by right-clicking the NI 5650/5651/5652 device and selecting **Self-Test**. A dialog box appears and indicates whether the device passed the test. When the self-test finishes, a message indicates either successful verification or an error. Refer to the Hardware Installation/Configuration Troubleshooter at ni.com/support/install if an error occurs.

Rename the NI 5650/5651/5652

MAX allows you to rename the NI 5650/5651/5652 hardware module. The MAX name is used in software to operate the NI 5650/5651/5652 hardware resources. You do not have to change the module name from the default but doing so can make programming easier.

To rename the NI 5650/5651/5652 hardware modules, complete steps 1 through 4. If you do not wish to rename the modules, proceed to the *Generate a Signal Using the NI 5650/5651/5652 RF Signal Generator Test Panel* section.

1. Right-click the NI 5650/5651/5652 module and select **Rename** from the shortcut menu.
2. Enter the new name for the NI 5650/5651/5652 module.



Note The device name must consist only of alphanumeric and underscore characters.

3. Click **OK**.
4. Verify that the new name for the module is displayed.

Generate a Signal Using the NI 5650/5651/5652 RF Signal Generator Test Panel

To verify your device configuration, use the NI-RFSG test panel in MAX to generate a simple signal using the NI 5650/5651/5652 RF signal generator hardware. Complete steps 1 through 6 to use the NI RF signal generator test panel.

1. Right-click the NI PXI-5650/5651/5652 RF signal generator module and select **Test Panels**.
2. In the Test Panels dialog box, specify a frequency and a power level for signal generation.



Caution Running the test panel generates a signal from the RF OUTPUT front panel connector. Disconnect any equipment that can be damaged by the test signal prior to running the test panel.

3. The test panel allows you to verify that the NI 5650/5651/5652 device is operating properly. Click **Start** to begin signal generation. During signal generation the ACTIVE LED on the NI 5650/5651/5652 hardware module is illuminated.



Note If the LED does not illuminate or if the NI RF signal generator test panel generates an error, refer to [Appendix C: Troubleshooting](#).

4. Click **Stop** to stop waveform generation.
5. Click **Close** to return to MAX.
6. Exit MAX.

You have completed setup, configuration, and testing of the NI 5650/5651/5652 RF Signal Generator.

8. Setting up Synchronization for NI-DAQmx Devices in MAX

If you plan to share triggers or clocks to synchronize NI-DAQmx devices, you must identify or configure certain components in MAX.



Note The following steps are required for any type of synchronization involving an NI-DAQmx device.

- ◆ **PXI devices**—identify the PXI system controller by completing the following steps:
 1. In the MAX configuration tree under **Devices and Interfaces**, right-click **PXI System»Identify As** and select your controller from the list. For example, select **External PC** if you are using a MXI-3 or MXI-4 controller in an external PC.
 2. Expand the PXI System tree and select the chassis name to identify the chassis you are using.
- ◆ **PXI Express devices controlled via MXI-Express**—in the MAX configuration tree under **Devices and Interfaces**, right-click **PXI System»Identify As** and select **External PC**. Your chassis will be automatically identified.
- ◆ **PXI Express controller**—a PXI Express controller installed in a PXI Express chassis is automatically identified in MAX.

9. Programming the RF Signal Generator

You can generate signals with the NI RF signal generator using the NI-RFSG instrument driver. You also can run the NI-RFSG examples to demonstrate the functionality of the NI RF signal generator.

NI-RFSG Instrument Driver

The NI-RFSG driver configures and operates the NI RF signal generator hardware, performs waveform programming and generation, and performs basic modulation tasks using LabVIEW VIs or LabWindows/CVI functions. In the case of NI 5670/5671/5672 RF signal generators, the NI-RFSG instrument driver operates the NI 5610 upconverter module and the NI 5421/5441/5442 AWG module as a single instrument.

Optional add-on software available from NI, including the Modulation Toolkit and the Spectral Measurements Toolkit, extends the capability of NI RF signal generators to include additional modulation-domain and frequency-domain tasks. The NI RF signal generator hardware-software architecture is shown in Figure 7.

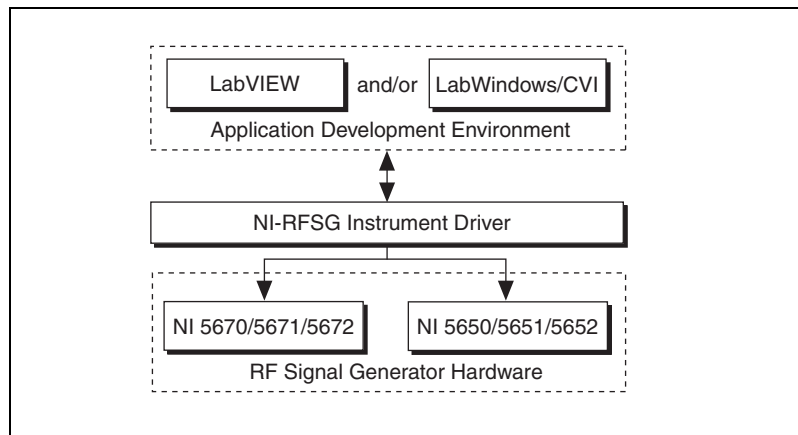


Figure 7. RF Signal Generator Hardware-Software Architecture



Note Refer to the *NI RF Signal Generators Help* for more information about NI RF signal generator hardware/software architecture. More information about the *NI RF Signal Generators Help* can be found in the *NI-RFSG Instrument Driver Readme*.

NI-RFSG Examples

NI-RFSG includes several example applications for both LabVIEW and LabWindows/CVI. These examples serve as interactive tools, programming models, and building blocks in your own applications. For more information about NI-RFSG examples and locations, refer to the *NI-RFSG Instrument Driver Readme*, which is available on the NI-RFSG CD.

Example applications are also available with add-on software such as the Modulation Toolkit. Examples for generating modulated signals with the NI 5670/5671/5672 are included with the Modulation Toolkit.

Refer to the *Installing Toolkits or Add-On Software* section and the *NI-RFSG Instrument Driver Readme* for more information about installing the Modulation Toolkit and included examples.

Appendix A: Hardware Front Panel Connectors and Indicators

This appendix describes the connectors and LED indicators on the front panels of both NI RF signal generator hardware modules. All input connectors and output connectors are AC-coupled.

NI 5610 RF Upconverter Module

The NI 5610 RF upconverter module front panel contains six connectors and two multicolor LEDs, as shown in Figure 8.

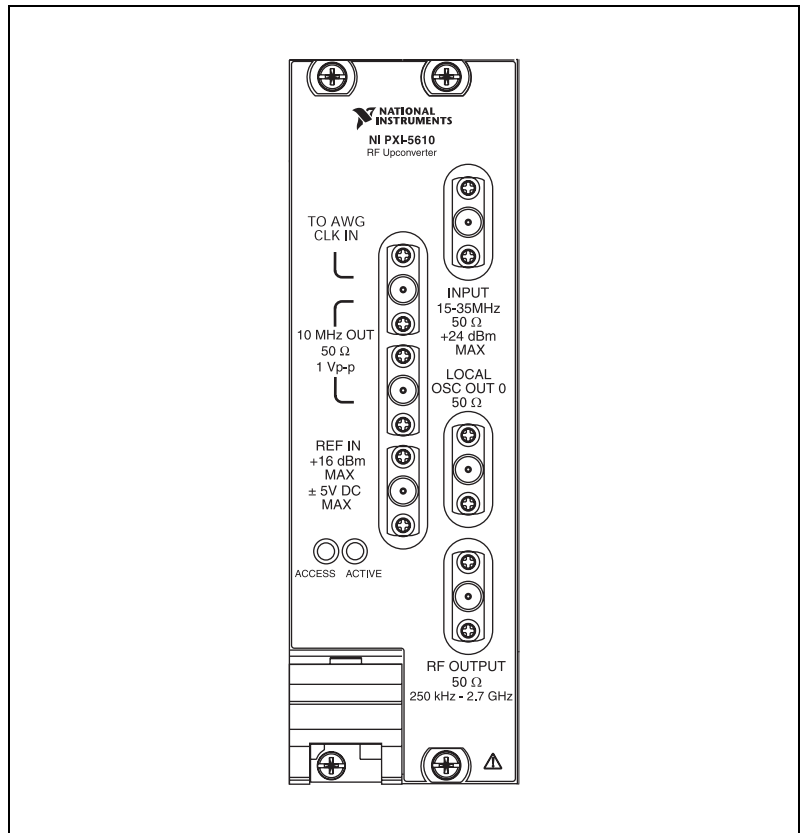


Figure 8. NI 5610 Upconverter Module Front Panel

Table 3. NI 5610 RF Upconverter Module Front Panel Connectors

Connector	Purpose
TO AWG CLK IN	Output terminals for replications of the upconverter 10 MHz frequency reference signal, which is useful for driving other devices. Each replication is 180° out-of-phase with the other. The output signal at these connectors is always on and cannot be disabled. Connect the TO AWG CLK IN connector to the CLK IN connector on the NI 5421/5441/5442 module front panel.
10 MHz OUT	
REF IN	Routes an external frequency reference signal that can be propagated to the PXI backplane. The NI 5610 can lock to this signal.
IF INPUT	Routes the IF signal from the NI 5421/5441/5442 AWG module for frequency translation. Connect to the CH 0 output on the NI 5421/5441/5442 front panel.
LOCAL OSC OUT 0	Output terminal for the auxiliary local oscillator signal.
RF OUTPUT	Output terminal for the upconverted signal at the requested RF frequency.

Table 4. NI 5610 RF Upconverter Module Front Panel LEDs

LED	Indications
ACCESS	Indicates the basic hardware status of the NI 5610 module. This LED functions identically to the ACCESS LED on the AWG module front panel. OFF—The module is not yet functional or has detected a problem with a PXI power rail. AMBER—The module is being accessed. GREEN—The module is ready to be programmed.
ACTIVE	Indicates the status of the NI 5610 PLLs. OFF—The module is in an uninitialized state; there is no error. AMBER—The module PLLs are attempting to lock. GREEN—The module is in a ready state; applicable PLLs are locked and the reverse power protection circuit is closed. RED—The module has detected an error state; this state may indicate an overload (reverse power protection circuit is open), lock failure in an applicable PLL, a self-test or calibration failure, or a thermal shutdown condition.

NI 5421/5441 AWG Module

The front panel of the NI 5421/5441AWG module contains five connectors and two multicolor LEDs, as shown in Figure 9.

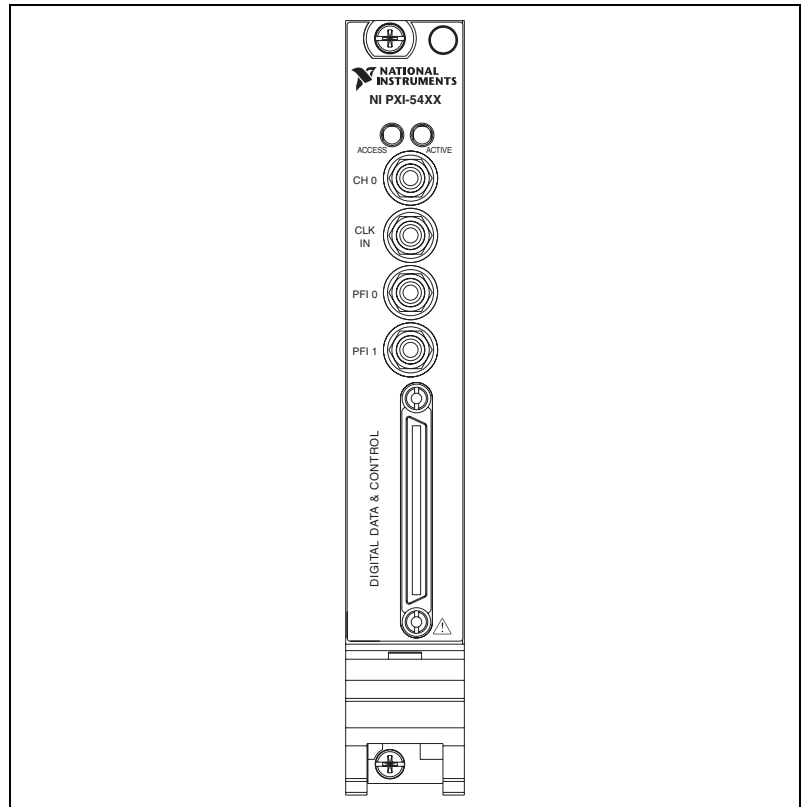


Figure 9. NI 5421/5441 AWG Module Front Panel

Table 5. NI 5421/5441 AWG Module Front Panel Connectors

Connector	Purpose
CH 0	Output terminal for an IF waveform for upconversion to the desired RF frequency. Connect to the IF INPUT connector on the NI 5610 front panel.
CLK IN	Output terminal for the AWG module reference clock signal. Connect to the REF OUT connector on the NI 5610 module front panel.

Table 5. NI 5421/5441 AWG Module Front Panel Connectors (Continued)

Connector	Purpose
PFI 0	Bidirectional SMB connectors. As an input, the PFI terminals can accept a trigger from an external source to start or step through signal generation.
PFI 1	
DIGITAL DATA & CONTROL	Routes the 16-bit digital pattern outputs, digital pattern clock output, trigger outputs, trigger inputs, and a clock input.

Table 6. NI 5421/5441 AWG Module Front Panel LEDs

LED	Indications
ACCESS	<p>Indicates the basic hardware status of the NI 5421/5441 AWG module. This LED functions identically to the ACCESS LED on the NI 5610 upconverter module front panel.</p> <p>OFF—The module is not yet functional or has detected a problem with a power rail.</p> <p>AMBER—The module is being accessed.</p> <p>GREEN—The module is ready to be programmed.</p>
ACTIVE	<p>Indicates the state of the NI 5421/5441 AWG module.</p> <p>OFF—The module is not armed or triggered.</p> <p>AMBER—The module is armed and waiting for a Start trigger.</p> <p>GREEN—The module has received a Start trigger and is generating a waveform.</p> <p>RED—The module has detected an error state; this may indicate PLL unlocking, self-test failure, or calibration failure.</p>

NI 5442 AWG Module

The front panel of the NI 5442 AWG module contains four connectors and two multicolor LEDs, as shown in Figure 10.

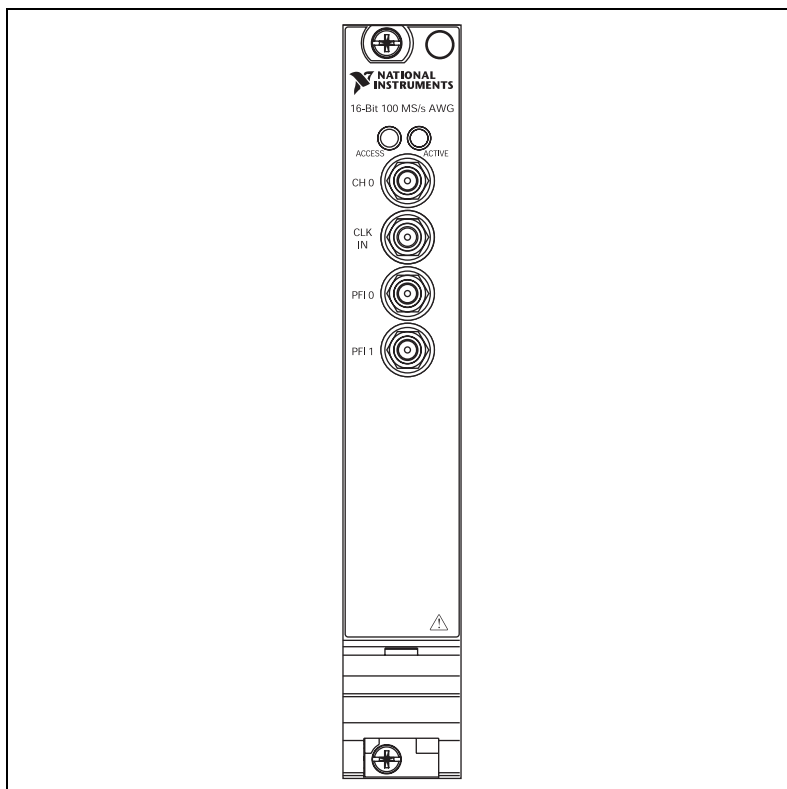


Figure 10. NI 5442 AWG Module Front Panel

Table 7. NI 5442 AWG Module Front Panel Connectors

Connector	Purpose
CH 0	Output terminal for an IF waveform for upconversion to the desired RF frequency. Connect to the IF INPUT connector on the NI 5610 front panel.
CLK IN	Output terminal for the AWG module reference clock signal. Connect to the REF OUT connector on the NI 5610 module front panel.
PFI 0	Bidirectional SMB connectors. As an input, the PFI terminals can accept a trigger from an external source to start or step through signal generation.
PFI 1	

Table 8. NI 5442 AWG Module Front Panel LEDs

LED	Indications
ACCESS	<p>Indicates the basic hardware status of the NI 5442 AWG module. This LED functions identically to the ACCESS LED on the NI 5610 upconverter module front panel.</p> <p>OFF—The module is not yet functional or has detected a problem with a power rail.</p> <p>AMBER—The module is being accessed.</p> <p>GREEN—The module is ready to be programmed.</p>
ACTIVE	<p>Indicates the state of the NI 5442 AWG module.</p> <p>OFF—The module is not armed or triggered.</p> <p>AMBER—The module is armed and waiting for a Start trigger.</p> <p>GREEN—The module has received a Start trigger and is generating a waveform.</p> <p>RED—The module has detected an error state; this may indicate PLL unlocking, self-test failure, or calibration failure.</p>

NI 5650/5651/5652 RF Signal Generator Module

The NI 5650/5651/5652 RF signal generator module front panel contains two connectors and two multicolor LEDs, as shown in Figure 11.

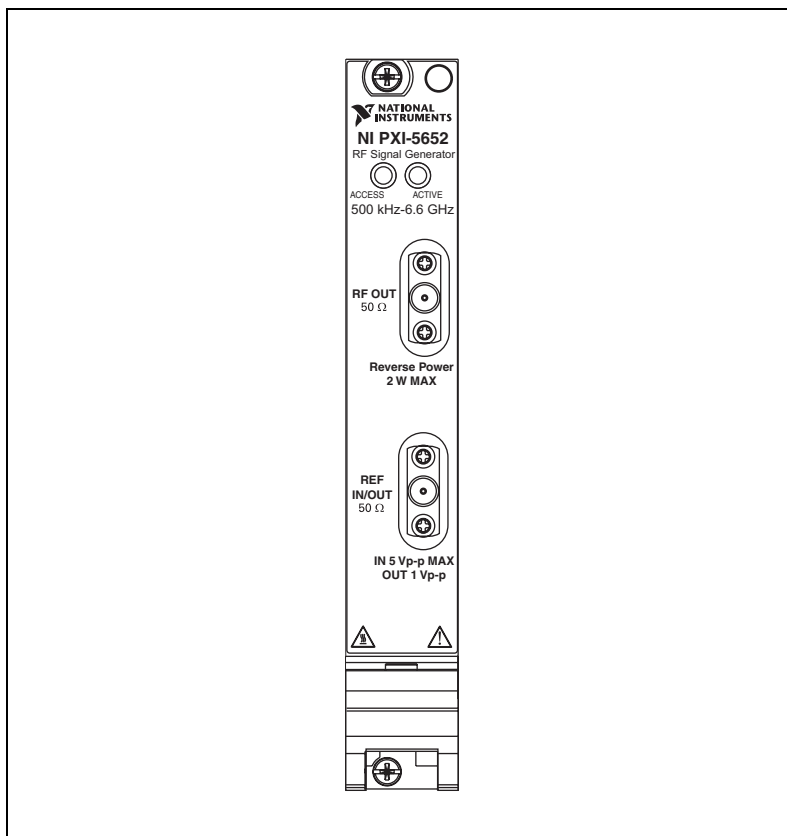


Figure 11. NI 5650/5651/5652 RF Signal Generator Module Front Panel

Table 9. NI 5650/5651/5652 RF Signal Generator Module Front Panel Connectors

Connector	Purpose
RF OUT	Output terminal for the RF signal at the requested frequency and power level.
REF IN/OUT	Routes a frequency reference signal to or from the NI 5650/5651/5652. This connector can be configured as an external frequency reference input or as an output for the onboard 10 MHz reference clock.

Table 10. NI 5650/5651/5652 RF Signal Generator Module Front Panel LEDs

LED	Indications
ACCESS	<p>Indicates the basic hardware status of the NI 5650/5651/5652 module.</p> <p>OFF—The module is not yet functional or has detected a problem with a PXI power rail.</p> <p>AMBER—The module is being accessed.</p> <p>GREEN—The module is ready to be programmed.</p>
ACTIVE	<p>Indicates the status of the NI 5650/5651/5652.</p> <p>OFF—The module is in an uninitialized state; there is no error.</p> <p>AMBER—The module PLLs are attempting to lock.</p> <p>GREEN—The module is generating a signal; applicable PLLs are locked.</p> <p>RED—The module has detected an error state; this may indicate lock failure in an applicable PLL, a self-test or calibration failure, or a thermal shutdown condition.</p>

Appendix B: Building a Basic NI-RFSG Application

NI-RFSG includes several example applications for both LabVIEW and LabWindows/CVI. These examples are intended to serve as interactive tools, programming models, and as building blocks in your own applications.

LabVIEW and LabWindows/CVI users can access all installed NI-RFSG examples at **Start»All Programs»National Instruments»NI-RFSG»Examples**. LabVIEW users can access NI-RFSG examples by running LabVIEW and selecting **Help»Find Examples** to launch the LabVIEW Example Finder.

You can complete the following steps in LabVIEW to build a basic NI-RFSG application for generating continuous sine wave signals:

1. Select **Start»All Programs»National Instruments»<LabVIEW>**» **LabVIEW** to launch LabVIEW. The LabVIEW screen appears.
2. Click **New**, choose **Blank VI**, and click **OK** to create a blank VI.
3. Display the block diagram by clicking it or by selecting **Window»Show Block Diagram**.
4. Activate the LabVIEW context help by pressing <Ctrl-H>.
5. Click the LabVIEW block diagram to launch the Functions palette.

6. Navigate to the NI-RFSG VIs on the **Functions»Measurement I/O»NI-RFSG** palette.
7. Create the block diagram shown in Figure 12 by wiring the five VIs on the block diagram in the order in which they appear in the top row of the NI-RFSG palette.

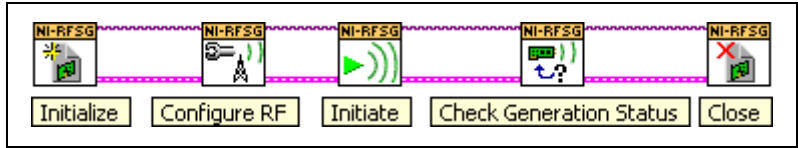


Figure 12. Basic NI-RFSG Block Diagram

8. Hover the cursor over the **resource name** terminal on the niRFSG Initialize VI and right-click. Select **Create»Control** to create a front panel control where you specify the NI RF signal generator device name. The **resource name** terminal is shown in Figure 13.

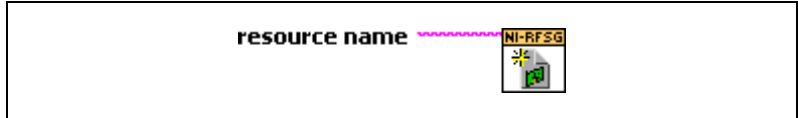


Figure 13. Resource Name Terminal on niRFSG Initialize VI

9. Hover the mouse tool over the **frequency (Hz)** and **power level (dBm)** terminals of the niRFSG Configure RF VI. These terminals are shown in Figure 14.



Figure 14. Frequency and Power Level Terminals on the niRFSG Configure RF VI

10. Right-click each terminal and select **Create»Control** from the shortcut menu to create frequency and power controls as shown in Figure 15.

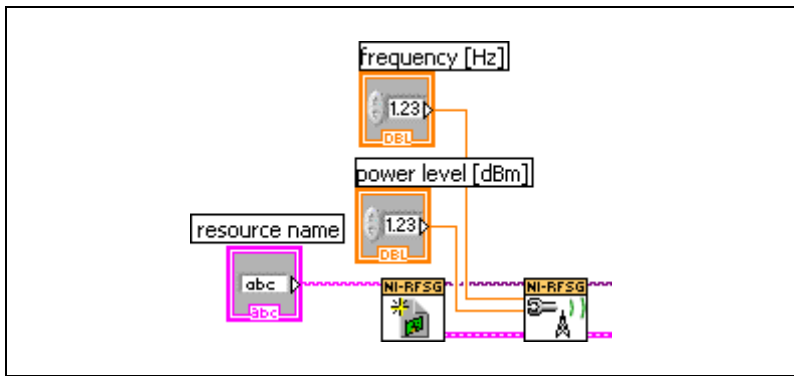


Figure 15. Frequency and Power Level Controls on the Block Diagram

11. Display the VI front panel by clicking it or by selecting **Window» Show Front Panel**. Controls are displayed in which you can specify a frequency and power level.
12. In the VI front panel **power level (dBm)** control, enter 0. In the **frequency (Hz)** control, enter 100M (100 MHz).
13. In the VI front panel **resource name** control, enter the NI 5610 upconverter device name or the NI 5650/5651/5652 device name that you specified in MAX (the NI 5610 upconverter module must be associated with an AWG module. Refer to the [Configuring the NI 5670/5671/5672 in MAX](#) section for more information about associating a module.)

You can control continuous waveform generation using a **Stop** button. A **Stop** button is typically used within a While Loop. This example places a While Loop around the niRFSG Check Generation Status VI so that signal generation continues and waveform status is continuously checked until you click STOP.

Build a STOP button by completing steps 14 through 18.

14. Display the block diagram by clicking it or selecting **Window» Show Block Diagram**.
15. Select the While Loop on the **Functions»Programming»Structures** palette.
16. Enclose the niRFSG Check Generation Status VI in the While Loop, as shown in Figure 16.

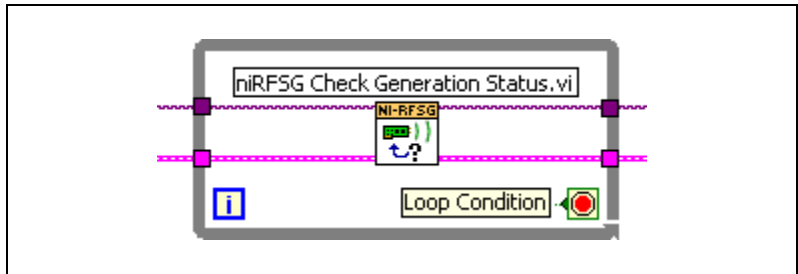


Figure 16. Enclose niRFSG Check Generation Status VI in the While Loop

17. Right-click the While Loop tunnels and select **Replace with Shift Register**.
18. Select the Unbundle by Name primitive on the **Functions»Programming»Cluster & Variant** palette. Place the primitive inside the While Loop.
19. Wire the **error out** terminal of the niRFSG Check Generation Status VI to the Unbundle by Name primitive.
20. Wire the output terminal of the **status** element to the **Loop Condition** terminal of the While Loop using a logical Or gate.
21. Right-click the unused input terminal of the Or gate and select **Create»Control** to create a STOP button on the VI front panel. The portion of the block diagram resulting from steps 18 through 21 is shown in Figure 17.

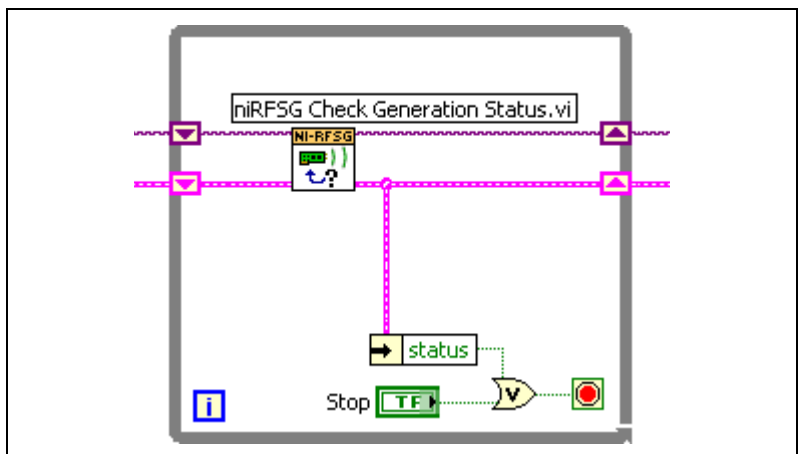


Figure 17. While Loop with STOP Button

Complete steps 22 and 23 to add an error indicator to the VI front panel.

22. Create an error indicator by right-clicking the **error out** terminal of the niRFSG Close VI and selecting **Create>Indicator**. The **error out** terminal is highlighted in Figure 18.

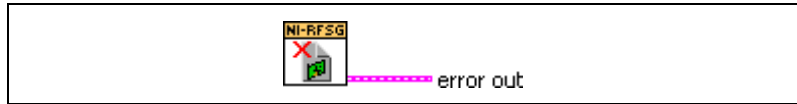


Figure 18. Error Out Terminal on niRFSG Close VI

23. Verify that the VI block diagram now looks like the example in Figure 19.

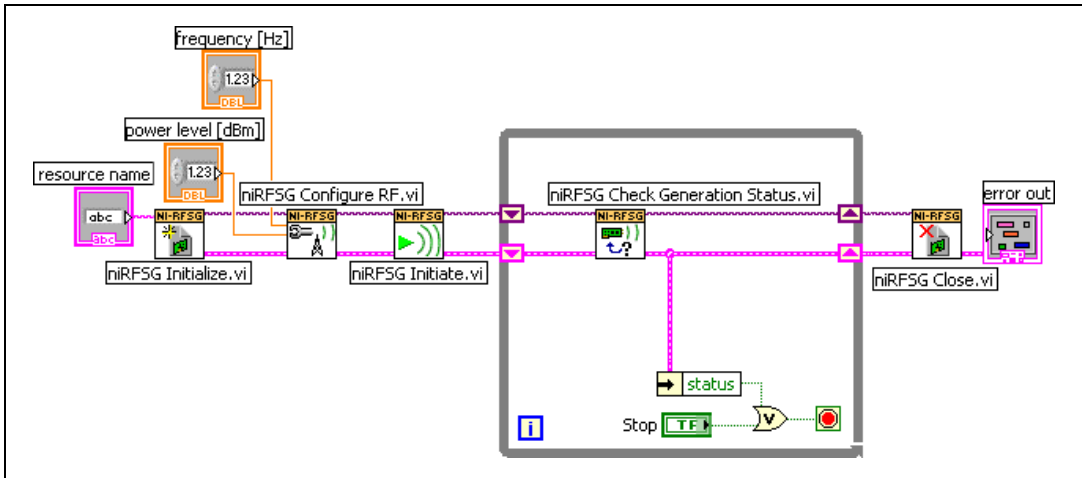


Figure 19. Basic Sine Wave Generation VI Block Diagram

24. Verify that the VI front panel looks like the example in Figure 20.

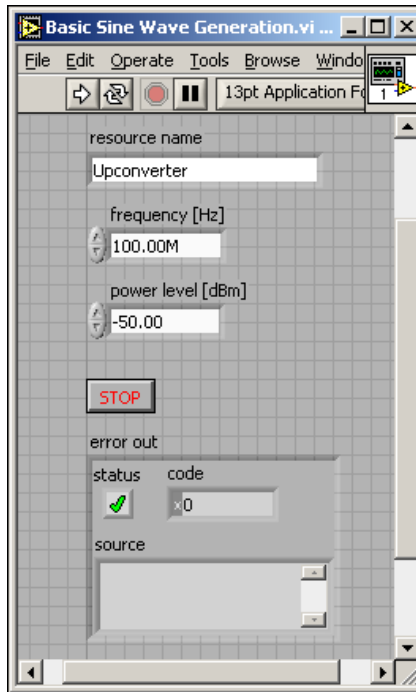


Figure 20. Basic Sine Wave Generation VI Front Panel Using NI 5670/5671/5672



Note Populate the **resource name** control with the NI 5610 upconverter module name (refer to the *Rename Both Modules* section for more information) or the NI 5650/5651/5652 name specified in MAX.



25. Click the **Run** icon on the VI taskbar to initiate sine wave generation.



26. Click the VI front panel **STOP** button to stop sine wave generation.

You have successfully generated a continuous sine wave signal using the NI-RFSG driver software and the NI RF signal generator hardware.

Appendix C: Troubleshooting

Module Front Panel ACCESS LED is Off When PXI Chassis is On

If the ACCESS LED fails to illuminate after you power on the PXI chassis, a problem may exist with the PXI power rails, a hardware module, or the LED.



Note The LEDs may not light until the device has been configured in MAX. Before proceeding, verify that the NI RF signal generator module(s) appear in MAX.

Troubleshoot this issue by completing the following steps:

1. Power off the PXI chassis.
2. Disconnect any signals from the PXI module front panels.
3. Remove any module front panel connections from the NI RF signal generator hardware module(s).
4. Remove the NI RF signal generator hardware and inspect for damage. Do *not* reinstall a damaged device.
5. Reinstall the NI RF signal generator in different PXI slot(s). Use the procedure detailed in section 5. *Installing the Hardware* for more installation information.
6. Power on the PXI chassis.
7. Verify that the NI RF signal generator module(s) appear in MAX.
8. Reset the NI RF signal generator module(s) in MAX and perform a self-test. Refer to section 7. *Configuring NI RF Signal Generators in MAX* or *Configuring the NI 5650/5651/5652 in MAX* for information on performing device resets and self-tests in MAX.
9. If either ACCESS LED still fails to illuminate, and failures continue, contact NI technical support or visit ni.com/support.

Hardware Module Does Not Appear in MAX

Use the following procedure if an NI RF signal generator hardware module does not appear in MAX:

1. In the MAX Configuration pane, click **Devices and Interfaces** to expand the category.
2. Click **NI-DAQmx Devices** folder and press <F5> to refresh the list of installed devices.
3. If an NI RF signal generator module is still not listed, power off the system, ensure that all NI RF signal generator hardware is correctly installed, and restart the system.
4. Open the Windows Control Panel and select **System»Hardware»Device Manager**. Complete the appropriate step for the setup:
 - If using a PXI controller, verify that a **National Instruments** entry appears in the system device list. Reinstall NI-RFSG and the NI RF signal generator hardware modules if error conditions are present in the list.

- If using a MXI controller, right-click **PCI-to-PCI Bridge** and select **Properties** from the shortcut menu to verify that the bridge is enabled.
5. If either module still fails to appear in the **MAX NI-DAQmx Devices** folder, contact NI technical support or visit ni.com/support.

Module Fails the Self-Test

The MAX self-test performs a brief test of device resources. If an NI RF signal generator hardware module does not pass the self-test, complete the following steps:

1. Reboot the system.
2. Launch MAX and perform the self-test again.
3. If either module still fails the self-test, contact NI technical support or visit ni.com/support.

Thermal Shutdown Error

The thermal shutdown error appears when device temperatures exceed safe limits. The NI RF signal generator shuts down until temperatures fall to acceptable levels and you reset the device in MAX.

To re-enable the NI RF signal generator after thermal shutdown, complete the following steps:

1. Power down the chassis that contains the device.
2. Review the procedure in the [Cooling](#) section and make any necessary adjustments to ensure that the device is effectively cooled.
3. Call the `niRFSG_ResetDevice VI` or the `niRFSG_ResetDevice` function to perform a device reset in MAX. The thermal shutdown error continues to be reported until the device has been successfully reset.



Note Refer to the [Configuring the NI 5670/5671/5672 in MAX](#) or [Configuring the NI 5650/5651/5652 in MAX](#) section for information on performing device resets in MAX.

Performance Issues Using A MXI Connection

When using a MXI-3 connection to control the PXI chassis, you must run the MXI Optimization Application prior to using the NI RF signal generator. By default, this application runs automatically when Windows starts. Using a MXI connection without running this application may result in a `time exceeded` or `internal software error`, or an initialization, timeout, or performance issue when using an NI RF signal generator.

For MXI-3 optimization, select **Start»All Programs»National Instruments MXI-3»MXI-3 Optimization**. MXI-4 optimization is performed automatically by the MXI-4 hardware.

If the MXI software is not installed, refer to the setup instructions included with the MXI kit to install the software from the MXI software CD or *National Instruments Driver CD*. After installation, you may be required to reboot the computer before using the MXI application.

If you continue to have initialization or performance issues, refer to the MXI documentation included in your MXI kit, or visit NI Technical Support at ni.com/support.

Where to Go for Support

The National Instruments Web site is your complete resource for technical support. At ni.com/support you have access to everything from troubleshooting and application development self-help resources to email and phone assistance from NI Application Engineers.

A Declaration of Conformity (DoC) is our claim of compliance with the Council of the European Communities using the manufacturer's declaration of conformity. This system affords the user protection for electronic compatibility (EMC) and product safety. You can obtain the DoC for your product by visiting ni.com/certification. If your product supports calibration, you can obtain the calibration certificate for your product at ni.com/calibration.

National Instruments corporate headquarters is located at 11500 North Mopac Expressway, Austin, Texas, 78759-3504. National Instruments also has offices located around the world to help address your support needs. For telephone support in the United States, create your service request at ni.com/support and follow the calling instructions or dial 512 795 8248. For telephone support outside the United States, contact your local branch office:

Australia 1800 300 800, Austria 43 662 457990-0,
Belgium 32 (0) 2 757 0020, Brazil 55 11 3262 3599,
Canada 800 433 3488, China 86 21 5050 9800,
Czech Republic 420 224 235 774, Denmark 45 45 76 26 00,
Finland 358 (0) 9 725 72511, France 01 57 66 24 24,
Germany 49 89 7413130, India 91 80 41190000, Israel 972 3 6393737,
Italy 39 02 413091, Japan 81 3 5472 2970, Korea 82 02 3451 3400,
Lebanon 961 (0) 1 33 28 28, Malaysia 1800 887710,
Mexico 01 800 010 0793, Netherlands 31 (0) 348 433 466,
New Zealand 0800 553 322, Norway 47 (0) 66 90 76 60,
Poland 48 22 3390150, Portugal 351 210 311 210, Russia 7 495 783 6851,

Singapore 1800 226 5886, Slovenia 386 3 425 42 00,
South Africa 27 0 11 805 8197, Spain 34 91 640 0085,
Sweden 46 (0) 8 587 895 00, Switzerland 41 56 2005151,
Taiwan 886 02 2377 2222, Thailand 662 278 6777,
Turkey 90 212 279 3031, United Kingdom 44 (0) 1635 523545

National Instruments, NI, ni.com, and LabVIEW are trademarks of National Instruments Corporation. Refer to the *Terms of Use* section on ni.com/legal for more information about National Instruments trademarks. Other product and company names mentioned herein are trademarks or trade names of their respective companies. For patents covering National Instruments products, refer to the appropriate location: **Help»Patents** in your software, the `patents.txt` file on your CD, or ni.com/patents.

Free Manuals Download Website

<http://myh66.com>

<http://usermanuals.us>

<http://www.somanuals.com>

<http://www.4manuals.cc>

<http://www.manual-lib.com>

<http://www.404manual.com>

<http://www.luxmanual.com>

<http://aubethermostatmanual.com>

Golf course search by state

<http://golfingnear.com>

Email search by domain

<http://emailbydomain.com>

Auto manuals search

<http://auto.somanuals.com>

TV manuals search

<http://tv.somanuals.com>