

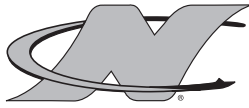
# *Correct Craft*

*World Record Towboats*

## OWNERS MANUAL



210, 211, 220, 226 AND 236



Dear Correct Craft Owner,

Welcome to the Nautique Family! For over 80 years, Correct Craft has been dedicated to providing our customers and their families with the finest inboard boats available. It's our passion to create the best performing boats in the industry. Boats that allow you to escape the routine of every day life. You see... you don't just own a Nautique, you live the Nautique life.

Your boat has been built with the best material and workmanship available, a legacy handed down from our founder. Our wealth of experience gives us the edge in innovation, quality and performance. We have the most dedicated and loyal employees in the industry. Hands down. Every day, our employees do more than just punch a clock; they take personal pride in every boat that comes down the line.

Review this Owner's Manual for your boat. We have assembled this manual to inform you about your boat and educate you further on boating. Please pay particular attention to the safety statements labeled as **DANGER, WARNING, CAUTION** and **NOTICE**. These statements alert you to possible safety hazards to avoid so you can have a safer boating experience. There are also many tips and tricks on care and maintenance sprinkled throughout the manual. Boating is very important to us and we would like you to enjoy many years of boating in your Nautique.

By purchasing a Nautique, you have taken the first step in trading your old lifestyle for a new one. Now that you own a Nautique, life as you know it will never be the same.

Live It!

The Correct Craft Family

Keep your heart with all diligence,  
for out of it spring the issues of life.

Proverbs 4:23



**Record Important Information**

In addition to this manual, your Correct Craft boat is supplied with component manufacturer information such as instructions, warranties or other important information. Read these materials carefully since improper operation and maintenance can void the warranty and jeopardize personal safety.

Safeguard information about your Correct Craft boat by recording the Hull Identification Number (HIN) and the model of your boat and the model and serial numbers of your engine/transmission and trailer, if applicable.

Your HIN is located on the top right side of the transom, above the water line. The U.S. Coast Guard requires that your HIN be permanently affixed and remain on the top right side of the transom. The first three digits represent Correct Craft, Inc. (CTC) The next five digits are the boat's serial number. The next digit is a letter from "A" where "A" = January through "L" where "L" = December, designating the month the boat was made.

The last three digits represent the last digit of the year the boat was built and the final two digits of the boat model year. A boat built in July 2006 is actually a 2007 model boat. Example: A boat with "607" as the last digits indicates the boat was built in 2006, but it is a 2007 model boat.

**Hull**

HIN \_\_\_\_\_  
 Date Purchased \_\_\_\_\_  
 Dealer/Phone \_\_\_\_\_  
 Ignition Key Number \_\_\_\_\_  
 Registration Number/State \_\_\_\_\_

**Engine**

Model Number \_\_\_\_\_  
 Serial Number \_\_\_\_\_

**Trailer**

Model Number \_\_\_\_\_  
 Serial Number \_\_\_\_\_

**Accessory**

Model Number \_\_\_\_\_  
 Serial Number \_\_\_\_\_

The identification numbers are important! Keep a copy of these numbers stored in a safe place off the boat. In case of theft, damage, etc., report these numbers to the local authorities, your insurance agent and your Correct Craft dealer.



---

# Boater's Checklist

For improved safety and enjoyment, check each of these items:

## Check Before You Launch Your Boat:

- Read both the engine and the boat operator manuals.
- Drain plug (Securely in place?)
- Propeller Condition (prop nut tight and secured, no cracked or bent blades, prop turns freely?)
- Steering System (Working smoothly and properly, self locking nuts in place?)
- Battery (fully charged, cable terminals clean and tight?)
- Capacity Plate (Are you overloaded?)
- Weather conditions (Safe to go out?)
- Fuel and Oil (Sufficient for trip, check bilge area for gas odor, no leaks?)
- Hoses and Connectors (no leaks or damage?)
- Electrical Equipment (Lights, horn, pumps, etc.?)
- Safety Equipment (Fire extinguisher, bailer, paddle, anchor and line, mooring lines, signaling device, tool kit, first aid kit, first aid manual?)
- Personal Flotation Devices for all occupants
- Float Plan submitted to Responsible Person (Verbal or written?)

## Check Before You Start Your Engine:

- Fuel (Sufficient for trip, check bilge area for gas odor?)
- Control Lever in Neutral
- Capacity Plate (Are you overloaded?)
- Personal Flotation Devices for all occupants
- Seating (Everyone in proper place?)
- Engine Stop Switch and Lanyard (Operational and securely fastened?)
- No one in water near boat
- Keep firm and continuous grip on steering wheel
- Engine Cooling Water Valve open



## Restricted Areas

Before boating, check with Local, State and Federal authorities to identify restricted areas. Because of the threat of terrorism, the U.S. Coast Guard has and will continue to implement strict limits on watercraft near U.S. Navy and Coast Guard ships and other potential targets.

## Proposition 65

### WARNING

The engine exhaust from this product contains chemicals known to the State of California to cause cancer, birth defects or other reproductive harm.

KCCPROP65G

### WARNING

Diesel engine exhaust and some of its constituents are Known to the State of California to cause cancer, birth defects, and other reproductive harm.

KCCPROP65D

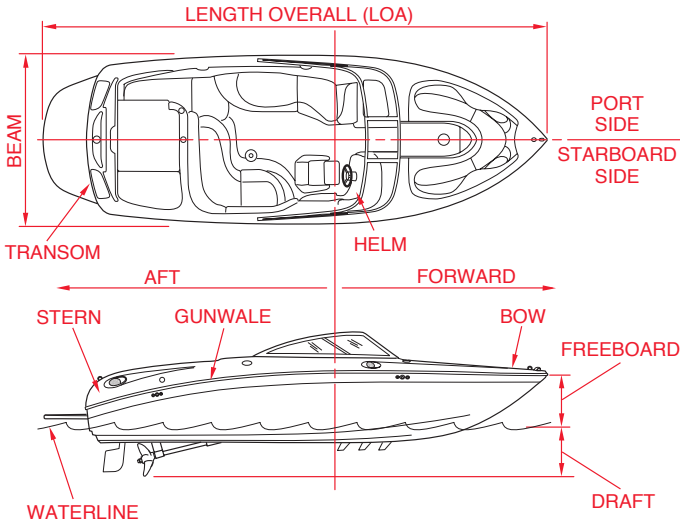
## Emission Control Warranty Information



CORC013

The engine in your Correct Craft boat meets the strict requirements set forth by the California Air Resources Board (CARB). The engine has a special environmental tag and the boat has this label affixed to it. The tag and the label are required by the California Air Resources Board (CARB). The label has 1, 2, 3 or 4 stars. The label MUST be affixed to the boat, if the boat is operated in the state of California and/or bordering waters.

# Boating Terminology



CORC001

\* An easy way to remember PORT side from STARBOARD side is "PORT" and "LEFT" both have four letters.

## Product Improvement

Because of our policy of continuous product improvement, the illustrations used in this manual may not look the same as on your boat and are intended only as representative reference views. Some illustrations may also show optional accessories which may or may not be available for your boat. Many optional accessories can only be installed at the time the boat is manufactured and cannot be installed by your dealer. Your dealer will be happy to provide details on installing accessories.

2007



# Table of Contents

Welcome .....	i	Recommended Safety	
Record Important		Equipment .....	1-20
Information .....	ii	Emergency Stop Switch and	
Boater's Checklist .....	iii	Lanyard.....	1-21
Restricted Areas .....	iv	Emergencies.....	1-22
Proposition 65 .....	iv	Fire/Explosion .....	1-22
Emission Control Warranty		Capsizing and	
Information .....	iv	Swamping.....	1-23
Boating Terminology.....	v	Collisions.....	1-23
Product Improvement.....	v	Grounding .....	1-23
<b>Boating Safety .....</b>	<b>1-1</b>	Water Rescue	
Safety While Boating .....	1-1	(Man Overboard).....	1-23
General Precautions.....	1-3	Medical Emergency.....	1-24
Boat Safety Labels.....	1-5	Operation Failure.....	1-24
Boating Regulations .....	1-8	Hazardous Conditions .....	1-24
Boater Responsibilities.....	1-8	Shallow Water	
Registration/		Operation.....	1-24
Documentation .....	1-9	Weeds .....	1-24
Insurance.....	1-10	Dam Spillways .....	1-25
Education Opportunities....	1-10	Weather/Seas.....	1-25
Operating By Minors.....	1-11	Warning Markers.....	1-26
Overloading .....	1-11	Carbon Monoxide .....	1-27
Passenger Safety and		Our Environment.....	1-28
Seating .....	1-13	Foreign Species .....	1-28
Visibility .....	1-13	Fuel/Oil Spillage.....	1-28
Boating Under the		Discharge/Disposal of	
Influence .....	1-14	Waste.....	1-29
Reporting Accidents.....	1-14	Excessive Noise .....	1-29
Rendering Assistance .....	1-15	Wake/Wash.....	1-29
Required Safety		Exhaust Emissions .....	1-29
Equipment .....	1-15	Paints .....	1-29
Life Saving Equipment ....	1-16	Cleaning Agents .....	1-30
Navigation Lights .....	1-17	MARPOL Treaty .....	1-30
Horn or Whistle .....	1-18	Water Sport Safety .....	1-30
Fire Extinguisher.....	1-18	Teak/Drag Surfing.....	1-30
Visual Distress Signals .....	1-18	General Water Sport	
		Precautions .....	1-32



Watersports Responsibility Code .....	1-35
<b>Basic Rules of the Road .....</b>	<b>2-1</b>
Aids to Navigation .....	2-1
USWMS System .....	2-2
Uniform State Regulatory Markers.....	2-3
FWMS System .....	2-3
Right of Way.....	2-5
Privileged Boats .....	2-5
Burdened Boats .....	2-5
Crossing Situation .....	2-6
Meeting Head-On .....	2-7
Overtaking .....	2-8
The General Prudential Rule.....	2-9
Night Running.....	2-9
<b>210, 211, 220 226 and 236 ...</b>	<b>3-1</b>
Specifications .....	3-1
210 .....	3-1
211 .....	3-1
220 .....	3-2
226 .....	3-2
236 .....	3-2
211. 220 Dash Pod and Console.....	3-3
226 Dash Pod and Console ..	3-4
210. 236 Dash Pod and Console .....	3-5
Ignition and Switch Panel.....	3-6
Keys .....	3-7
210 Deck Layout .....	3-8
211 Deck Layout.....	3-10
220 Deck Layout.....	3-12
226 Deck Layout.....	3-14
236 Deck Layout.....	3-16
Standard and Optional Equipment .....	3-18

<b>Controls and Indicators .....</b>	<b>4-1</b>
Steering.....	4-1
Hydro-Gate™ Control and SportShift-210, 221 and 2-20.....	4-2
Shifter/Throttle.....	4-4
Emergency Stop Switch .....	4-5
Signature Dash Pod - 210, 211 .....	4-6
Gauges.....	4-6
Speedometer Calibration ..	4-8
Control Switches.....	4-8
12 Volt Port.....	4-10
Ignition Keyswitch .....	4-11
Smart Pod - Limited or Team .....	4-11
Gauges.....	4-11
Control Switches.....	4-12
12-Volt Port .....	4-16
Ignition and Switch Panel...	4-16
Gauges.....	4-21
Tachometer/Fuel Monitor .....	4-28
Standard Equipment.....	4-34
Watersports Tow Point.....	4-34
Bow Features of Your Nautique .....	4-35
Driver's Seat Adjustment.....	4-36
Rearview Mirror Adjustment .....	4-37
Love Seat.....	4-38
Storage Hatch .....	4-38
Engine Cover Hatch .....	4-39
Walk-Thru Windshield Opening/Latching.....	4-40
Coolers .....	4-40
Boarding Platform .....	4-41





Engine Cooling Water	
Intake Valve.....	4-42
Fuel Tank .....	4-43
Battery Selector Switch ....	4-43
Automatic Bilge Panel ....	4-44
Folding Instructions for	
Flight Control Tower® .....	4-45
Flight Clips™ .....	4-47
Ballast Tanks .....	4-48
Ballast Tank Control	
Switches .....	4-48
Optional Accessories.....	4-50
Stereo and Speaker	
Pods .....	4-50
<b>Boat Systems .....</b>	<b>5-1</b>
Fuel System.....	5-1
Ballast Tanks and Bilge	
System .....	5-3
Heater System-Optional.....	5-5
<b>Getting Underway .....</b>	<b>6-1</b>
Safety Checklist .....	6-1
Safety Equipment .....	6-2
Fueling.....	6-2
Gasoline Containing	
Alcohol .....	6-3
Boarding.....	6-4
Boat Planing.....	6-4
Pre-Operation Checks.....	6-5
Flooded Engine .....	6-10
Break In Procedure.....	6-12
Propeller Selection.....	6-12
Shifting .....	6-13
Steering .....	6-13
Stopping .....	6-14
Docking .....	6-14
<b>Running.....</b>	<b>7-1</b>
Maneuvering Techniques .....	7-2
Tow Pattern .....	7-3
Freezing Temperatures .....	7-4
Anchoring .....	7-4
Dropping Anchor.....	7-5
Weighing (Pulling In)	
Anchor.....	7-6
Performance Boating.....	7-7
Propellers .....	7-7
<b>Care and Maintenance .....</b>	<b>8-1</b>
General Maintenance.....	8-1
Engine Intake Water	
Strainer.....	8-2
Bilge Pumps .....	8-3
Propeller.....	8-4
Removal.....	8-4
Installation .....	8-5
Propeller Shaft Stuffing	
Box .....	8-6
Through-Hull Fittings .....	8-6
Quick Oil Drain System .....	8-6
Salt Water Boating.....	8-7
Fresh Water Flushing Kit-	
Optional .....	8-7
Battery Maintenance .....	8-8
Gelcoat Maintenance .....	8-10
Care of Metal .....	8-11
Care of Glass .....	8-11
Vinyl Maintenance and	
Cleaning .....	8-11
Tunable Rudder.....	8-13
Rudder Remote Lube	
Fitting .....	8-14
Transmission-226 Only.....	8-14
Oil Level Inspection.....	8-14
Changing Oil .....	8-15
Transmission-210 and 236 ..	8-17
Shift Cable.....	8-18

---

<b>Troubleshooting .....</b>	<b>9-1</b>
Trouble Check Chart .....	9-2
Performance .....	9-2
Electrical.....	9-3
<b>Storage .....</b>	<b>10-1</b>
Lifting Rings.....	10-1
Retractable Lifting Ring .	10-2
Winterizing Your Boat.....	10-2
Check for Water in Your Fuel System .....	10-4
Winterizing Ballast Tanks (if equipped).....	10-5
Trailer/Trailerling .....	10-6
Hitch.....	10-6
Wiring.....	10-6
Security.....	10-6
Towing Your Boat.....	10-7
Long Trips.....	10-7
<b>Glossary .....</b>	<b>G-1</b>

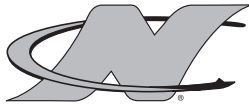
<b>Warranty.....</b>	<b>W-1</b>
<b>CORRECT CRAFT LIMITED</b>	
<b>WARRANTY.....</b>	<b>W-1</b>
Lifetime Limited Warranty.....	W-1
Transferable Lifetime Limited Warranty.....	W-1
Boat Five (5) Year Transferable Limited Warranty.....	W-2
Engine Warranty .....	W-2
Request for Warranty Transfer of Hull, Deck and Stringer.....	W-5
Request for Warranty Transfer on Parts .....	W-6
Nautique Service Centers....	W-7



---

# NEPTUNE





## Section I Boating Safety

### Safety While Boating

Boating-related accidents are generally caused by the operator's failure to follow basic safety rules or written precautions. Most accidents can be avoided if the operator is completely familiar with the boat, its operation and can recognize potentially hazardous situations.

In addition to everyday safety, failure to observe the safety recommendations may result in severe personal injury or death to you or to others. Use caution and common sense when operating your boat. Do not take unnecessary chances! Remember that at least three people are needed for safely towing watersport participants.

Failure to adhere to these warnings may result in severe injury or death to you and/or others.

- **Look before you turn the boat. As a boater you are obligated to maintain a course and speed unless it is safe to alter course and speed. Look before you turn.**
- **Improper operation of the boat is extremely dangerous. Operators must read and understand all operating manuals supplied with the boat before operation.**
- **On-board equipment must always conform to the governing federal, state and local regulations.**
- **Prior to starting the engine, you MUST open the engine box and check the engine compartment and bilge for gasoline and oil vapors. You MUST also operate the blower for at least four minutes. Failure to do so may result in fire or explosion. If you smell gasoline vapor or see liquid gasoline, DO NOT start the engine.**

# Section I

---



- **DO NOT** operate the boat while under the influence of alcohol or other drugs.
- **DO NOT** stand or allow passengers to stand in the boat, or sit on the transom, seat backs, engine cover or sides of the boat while the engine is running. You or others may be thrown from the boat.
- **DO NOT** allow any type of spark or open flame on board. It may result in fire or explosion.
- **DO NOT** leave children in the boat without adult supervision.
- **DO NOT** sit in front of the operator to avoid obstructing the operator's view.
- **DO NOT** dive from the boat without being absolutely sure of the depth of the water, otherwise severe injury or death may occur from striking the bottom or submerged objects.
- **DO NOT** swim near the boat when the engine is running. Being in NEUTRAL is not enough, the propeller may still be turning and carbon monoxide may be present.
- **DO NOT** replace your boat's marine parts with automotive parts.
- **DO NOT** remove or modify any components of the fuel system except for maintenance by qualified personnel. Tampering with fuel components may cause a hazardous condition.
- **DO NOT** wrap ski lines or mooring lines around any body part which may become entangled in the line if you fall overboard and the boat is moving.
- Keep track of ski lines and dock lines so they do not become entangled in the propeller.
- Be sure to securely attach the engine Emergency Stop switch lanyard to a part of your clothing, such as a belt loop, when operating the boat.
- Be sure to keep a watch for other boats, swimmers and obstructions in the water. Stay away from other boats and personal watercraft.
- Be sure to have an experienced operator at the helm and always have at least three people present for safe towing – one to drive, one to observe and one to ski or ride.



- Seek shelter from open water if there is threat of lightning.
- Operate slowly in congested areas such as marinas and mooring areas.
- The bow may be slippery, do not go forward while the engine is running.
- When you leave the boat take the keys with you. This will keep untrained and unauthorized persons from operating the boat.
- Engine exhaust contains carbon monoxide.
  - DO NOT operate the engine in a confined space.
  - DO NOT go under the boat cover with the engine running or shortly after the engine has been running.
  - DO NOT use boarding platform with the engine running.
  - DO NOT “teak surf.”
  - Allow adequate ventilation with fresh air before entering.
  - Slow down when crossing waves or wake in order to minimize the impact on passengers and the boat.

## General Precautions

Your safety, the safety of your passengers and other boaters are among your responsibilities as operator of this boat. Your boat must be in compliance with USCG safety equipment regulations. You should know how to react correctly to adverse weather conditions, have good navigation skills, and follow the "Rules of the Road" as defined by the USCG and state/county/local regulations.

Before each outing you should check all safety equipment, such as fire extinguishers, PFDs, flares, distress flags, flashlights and emergency stop switch. They should be operable, in good condition, readily visible and easily accessed.

Know the weight capacity of your boat. DO NOT overload your boat.

This section covers general boating safety information. Throughout this manual specific precautions and symbols identify safety related information.



# Section I

U  
L  
T  
I  
M  
A  
T  
E  
D  
I  
N  
F  
O  
R  
M  
A  
T  
I  
O  
N



The Safety Alert Symbol means ATTENTION! BECOME ALERT! YOUR SAFETY IS INVOLVED!



**DANGER**

Indicates a hazardous situation, which, if not avoided, will result in death or serious injury.



**WARNING**

Indicates a hazardous situation, which, if not avoided, could result in death or serious injury.

**CAUTION**

Indicates a hazardous situation, which, if not avoided, may result in minor or moderate injury.

## NOTICE

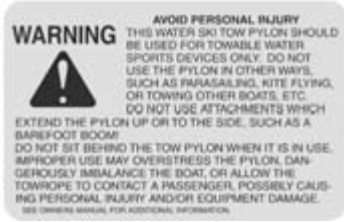
*Indicates a property damage message.*

The precautions listed in this manual and on your Correct Craft boat are not all-inclusive. If a procedure, method, too, or part is not specifically recommended, you must satisfy yourself that it is safe for you and others, and that the boat will not be damaged or made unsafe as a result of your decision. REMEMBER - USE COMMON SENSE WHEN OPERATING YOUR BOAT!



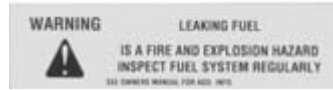
## Boat Safety Labels

Your Correct Craft boat is affixed with various safety labels at the time of manufacture. These labels appear at specific locations on the boat where safety is of particular concern. Safety labels must be legible. If you suspect a label is missing or one becomes damaged, contact your Correct Craft Dealer for immediate replacement.



CORC007

**Tow Pylon**



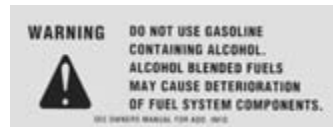
CORC004

**Engine Inside Box and  
on Fuel Tank**



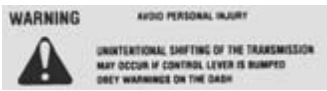
CORC091

**Water Strainer**



CORC005

**Fuel Fill**



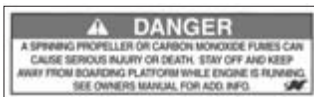
CORC006

**Throttle Control**



CORC008

**Transom Warning**



CORC010

**Cross Member/Boarding Platform**



CORC092

**Engine**





# Section I

NEARLY 30 YEARS



CORC093

## Flame Arrestor



CORC094

## Board Racks

**CAUTION:** TO AVOID INJURY, WINDOW MUST BE SECURED IN THE CLOSED POSITION WHEN VESSEL IS IN MOTION. USE BOTH WINDOW LOCKS.

CORC064

## Walk Through Windshield



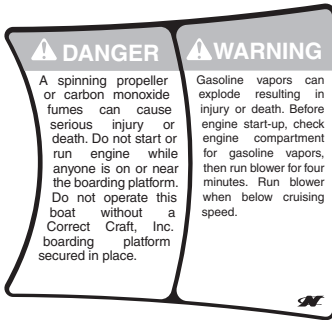
CORC009

211, 220 and 226



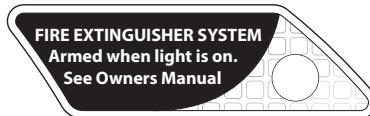
CORC012

226 only



CORC203A

210, 236



CORC024

## Dash Pod



## Fuel Control Cell

### OPERATOR INSTRUCTIONS

**Caution:** Visually inspect unit for leakage before operating engine. If leakage is present, do not operate engine. Contact service technician immediately.

#### SERVICE INSTRUCTIONS

**Beater:** Improper installation or use may cause repercussions resulting in bodily injury or death. Service only by a qualified technician. Read/observe all instructions. Run engine & check for fuel leakage after installation, replacing element or draining tank. Do not remove seal except during element change or contamination, reposition, or float & ring swelling may result. Frequency of water in ring or element impairment is determined by contamination level of fuel. Replace element at least once a year or when power loss occurs, whichever comes first.

#### To Drain Water, With Engine Off

1. Disconnect bow wire electrical harness.
2. Remove 7/16 brass plug. Drain water into container.
3. Apply pipe sealant suitable for gasoline to 7/16 brass plug.
4. Insert into container. Tighten 7/16 brass plug.
5. Cycle ignition key several times to prime electric fuel pumps and fill container with fuel. Inspect drain for leaks.
6. Start engine and inspect for leaks.

#### To Replace Element, With Engine Off

1. Disconnect bow wire electrical harness.
2. Remove 7/16 brass plug. Drain water into container.
3. Remove canister by turning with all filter wrench.
4. Slide coverer downward over the suspended filter element. It may be necessary to pull the unit to one side to remove.
5. Remove fuel filter element from the suspended pump by pulling the filter downward.
6. Visually inspect all internal components, i.e. hoses, wires, etc.
7. Push an new fuel filter element over electric fuel pump.
8. Remove old g-ring from the head of the canister.
9. Install new g-ring in the same location. Lubricate the spring with a light oil.
10. Apply pipe sealant suitable for gasoline to 7/16 brass plug.
11. Insert into canister. Tighten 7/16 brass plug.
12. Spread threads on canister. Tighten firmly back into head with all wrench.
13. Cycle ignition key several times to prime electric fuel pumps with fuel. Inspect drain for leaks.
14. Start the engine and inspect for leaks.

PATENT# 5,740,784 • 6,112,729 • 6,368,801

**WARNING: DO NOT ATTEMPT TO SERVICE ANY OTHER PARTS ON THIS UNIT!**

R143112

## Fuel Control Cell

CORC095

### ⚠ DANGER

Failure to follow these guidelines can result in injury or death. Do not tow more than two persons at one time from this tow tower. The tow tower should only be used for waterskis, wakeboards, or recreational towables and not for parasailing, kite flying, or towing other boats, etc. Do not add any attachments that are not installed by Correct Craft, Inc. Do not climb on, sit on, stand on, jump off, or dive off the tow tower. Never allow passengers to sit behind the towrope attachment point. Never allow loose towrope ends to dangle. Always be certain that all bolts are in place and tight before and during use. When the tower is up watch for low obstacles such as tree limbs, bridges, or power lines. Before trailering your boat make sure that the tow tower is in the down position and properly secured.

CORC011

## Flight Control Tower®

**⚠ WARNING**

**Avoid personal injury**

- ⊙ Never run engine when the operator is not seated facing forward with hands on the controls.
- ⊙ Leaking fuel is a fire and explosion hazard. Inspect fuel system regularly and fix leaks immediately.
- ⊙ Do not sit on seat backs, boat sides or engine box while engine is running. Do not stand on boat sides at anytime.
- ⊙ Do not make high-speed maneuvers in this boat.
- ⊙ Always test the emergency engine shut off switch for proper function before operating the boat and never operate the boat unless the lanyard is securely attached to the driver.
- ⊙ Always empty all ballast systems before lifting or trailering boat.
- ⊙ To insure safe use and maintenance of the boat, read and understand the owners manual thoroughly if you do not have a manual, contact: Correct Craft, Inc. • 14700 Aerospace Pky, Orlando, FL 32809 (407) 855-4141. sk@skinnatouque.com

**Note:** Correct Craft, Inc. installs a permanent wake enhancement ballast tank system in some models. The full weight of this system has already been considered in the boat weight and therefore does not influence maximum capacity, unlike portable ballast tanks or weights, which must be included as part of the gear weight.

CORC003

**⚠ WARNING**

**Avoid personal injury**

- ⊙ Never run engine when the operator is not seated facing forward with hands on the controls.
- ⊙ Leaking fuel is a fire and explosion hazard. Inspect fuel system regularly and fix leaks immediately.
- ⊙ Do not sit on seat backs, boat sides, or engine box while engine is running. Do not stand on boat sides at any time.
- ⊙ Do not make high speed maneuvers in this boat.
- ⊙ Always test the emergency engine shut off switch for proper function before operating the boat and never operate the boat unless the lanyard is securely attached to the driver.
- ⊙ Always empty all ballast systems before lifting or trailering boat.
- ⊙ To insure safe use and maintenance of this boat, read and understand the owners manual thoroughly if you do not have a manual, contact: Correct Craft, Inc. • 14700 Aerospace Pky, Orlando, FL 32809 (407) 855-4141. sk@skinnatouque.com

**Note:** Correct Craft, Inc. installs a permanent wake enhancement ballast tank system in some models. The full weight of this system has already been considered in the boat weight and therefore does not influence maximum capacity, unlike portable ballast tanks or weights, which must be included as part of the gear weight.

CORC200

211, 220 and 226

Side Console

210, 236



## Boating Regulations

The U.S. Coast Guard (USCG) is the authority of the waterways; they are there to help the boating public. State boating regulations are enforced by local authorities. You are subject to marine traffic laws and “Rules of the Road” for both federal and state waterways; you must stop if signaled to do so by enforcement officers, and permit to be boarded if asked.

There are many pamphlets, prepared by the USCG, available to you. These pamphlets explain “Rules of the Road,” signal lights, buoys, safety, international and inland regulations and much more than is presented in the manual. For more information, contact your local USCG Unit or call the Coast Guard Customer Infoline at 1-800-368-5647.

## Boater Responsibilities

It is the owner’s responsibility to ensure that the operator of the boat has been properly instructed in the lawful and safe operation of this vessel. Therefore, before operating the boat, read this owner/operator manual. Be sure you understand each item before operating it. Improper operation or trailering of the boat could lead to severe damage and/or injury.

At the time of delivery, the owner/operator is responsible for:

- Understanding warranty terms and conditions of your boat, your engine and your trailer.
- Obtaining insurance.
- Examining boat to ensure proper operation of all systems.

Before operating the boat, the owner/operator is responsible for:

- Obtaining state registration of the boat.
- Providing the proper USCG required safety equipment.
- Following proper break-in procedure for the engine.
- Understanding safety information and proper operating procedures within this manual.

While operating the boat, the owner/operator is responsible for:

- Knowing that all safety equipment and personal flotation devices (PFDs) are in good condition and suitable for your boat and passenger load.
- Knowing that the capacity of the load are within the limits stated on the USCG Maximum Capacities Plate.
- Verifying that the emergency stop switch is in proper operating condition.
- Ensuring that all passengers are properly and securely seated in appropriate seating locations.
- Following safe operating practices and the “Rules of the Road.”
- Understanding proper maintenance and knowledge of the boat’s operating systems.
- Providing safety training for the passengers.
- Having at least one other passenger who is capable of handling the boat in an emergency.
- Maintaining a proper lookout by sight and hearing.
- Avoiding use of alcohol and other drugs.
- Providing assistance to other boaters.

## Registration/Documentation

The USCG requires that all power boats operated on the navigable waters of the U.S. must be registered in the state of main use; also, many states require registration in that state whenever boating on waters within their state boundary. Contact your state boating authorities (and neighboring states) for registration information on boats and trailers. Your Correct Craft Dealer can supply you with the appropriate forms.



# Section I

---



## Insurance

You must get insurance before operating your new boat. Insurance for loss by fire, theft or other causes, or liability protection against accidents is a must for responsible boaters. The boat owner is legally responsible for any damage or injury caused when he, or someone else operating the boat, is involved in an accident. Many states have laws detailing minimum insurance needs. Your insurance agent or your Correct Craft Dealer may be able to supply you with more information.

## Education Opportunities

This manual is not intended to provide complete training on all aspects of boat operation. We strongly recommend that all operators of this boat seek additional training on boat handling and safety. Have all operators become familiar with the handling characteristics, and proper steering and control system usage before attempting high speed operation.

Some states require youths 16 years of age and younger to complete a boating safety course before operating any watercraft. Many others require operators under the age of 18 to be licensed in small boat operation.

Boat smart from the start, take a boating safety course and get a free vessel safety check annually for your boat. For more information, contact: United States Coast Guard Auxiliary, 1-800-368-5647, [www.cgaux.org](http://www.cgaux.org); United States Power Squadrons, 1-888-FOR-USPS, [www.usps.org](http://www.usps.org).

Most boaters can enhance their enjoyment of boating experiences through increased knowledge of safe operation, navigation and regulation of pleasure boats. The following is a list of some other agencies and organizations that offer Water Safety, First Aid and CPR courses or information. To find boating safety courses in your area, call your state's local boating agency or the USCG boating safety course line at 1-800-336-2628 (1-800-245-2628 in Virginia).



- American Red Cross
- U.S. Coast Guard Auxiliary
- U.S. Power Squadrons
- State Boating Offices
- Canadian Power and Sail Squadrons
- Boat Owners Association of the United States
- National Safe Boating Council

## Operating By Minors

Minors must be supervised by an adult whenever operating a boat. Many states have laws regarding the minimum age and licensing requirements of minors. Be sure to contact the state boating authorities for information.

## Overloading



### WARNING

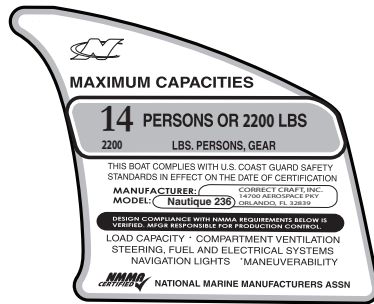
An overloaded boat can cause death or serious injury. Do not purposely overload or add any additional water to the boat other than to the Correct Craft Launch Control System.

DO NOT overload your boat. Your boat is equipped with a required capacity plate indicating the maximum acceptable load as determined by the manufacturer following certain Federal guidelines. If in doubt, contact your Correct Craft Dealer.



CORC021

211, 220 and 226



CORC201

210, 236

211-236



# Section I

---



The capacity plate is used by boat manufacturers participating in the National Marine Manufacturers Association certification program. Correct Craft has submitted your model for inspection and compliance with their guidelines.

The capacity plate has the following information permanently printed on it. It is attached to the boat by the throttle for the operator to read before they drive the boat.

- The total weight of persons, gear and other items which the boat is capable of carrying under normal conditions. **This weight must include any added ballast other than the Correct Craft Launch Control System™.**
- Death or serious injury can occur from overloading the boat. DO NOT purposely overload or add any additional water to the boat other than to the **Correct Craft Launch Control System™.**
- The maximum number of persons allowed on the boat. This information on the capacity plate applies under normal conditions and special care must be used in any other than normal conditions. Check the capacity plate on your boat and abide by these limits.

## NOTICE

*Correct Craft, Inc. installs permanent wake enhancement ballast tanks called the Launch Control System™ in some models. The full weight of this system has already been considered in the boat weight and therefore does not influence maximum capacity, unlike portable ballast tanks or weights, which must be included as part of the gear weight.*

An overloaded Nautique will handle differently than a lightly loaded one. Drive and turn your Nautique with this in mind. As wakeboarding has developed, we have witnessed the advent of ballast systems which add weight and increase the size of the wake. The simplest ballast system on the market is the water ballast type, such as the “phat sack.” It is not uncommon to see operators use such systems and then put additional people in their boat. Please be advised that this practice can lead to overloading your boat. Each



Correct Craft, Inc. boat has a required capacity label displaying the maximum weight of people, gear and ballast that can be placed in the boat. Always be aware of the load in your boat and do not load the boat in excess of the listed capacity. The quest for the "phattest" wake has caused some to excessively overload their boats. Overloading the boat will affect the operation and, possibly result in injury to persons inside and/or outside of the boat.

## Passenger Safety and Seating

Make sure that at least one passenger is familiar with the operation and safety aspects of the boat in case of an emergency. Show all passengers the location of emergency equipment and explain how to use it.

The operator of the boat is responsible for the safety of the passengers as well as his/her own safety. The operator should ensure that all passengers are properly and securely seated in appropriate seating locations before starting.

While the engine is running, and during the boat mooring, all occupants should be properly seated. **DO NOT** sit on the engine box, seat backs, boarding platform or gunnels. You could fall overboard and be hit by the propeller. **DO NOT** allow objects, arms or legs, or any other body parts to hang over the bow or gunnels.

**DO NOT** stand while the boat is moving.

The operator **MUST** sit in the driver's seat while the boat is moving and all passengers remain properly seated.

## Visibility



### **WARNING**

**Obstructed visibility can cause death or serious injury. Maintain clear visibility at all times. Arrange passengers and equipment for maximum visibility or designate a passenger to assist when visibility is limited.**





# Section I

---



The operator of the boat is responsible by law to “maintain a proper lookout by sight and hearing.” The operator must ensure that he/she has an unobstructed view particularly to the front. No passengers or equipment should block the operator’s view.

Look carefully before turning, especially when you are turning around to pick up a fallen skier. Someone else may not be following the “Rules of the Road.”

Keep a visual check for boats behind your boat. This is an area where accidents can happen very quickly.

The boat should not be driven at a rate of speed faster than will allow it to be brought to a full stop within the operator’s field of view.

## Boating Under the Influence



### **WARNING**

**Impaired operation can cause death or serious injury. Federal and state law prohibit operating a boat under the influence of alcohol and other drugs. These regulations are actively enforced.**

Boating, alcohol and the use of other drugs just do not mix. Mixing boating, alcohol and other drugs result in many marine accidents and deaths. These substances increase your reaction time and impair your judgment. Combined with the sun, wind, waves and noise of other watercraft, the effects of drugs are increased and will significantly increase your reaction time. As the owner/operator, you are responsible for the alcohol/drug use and onboard behavior of your passengers.

### **NOTICE**

*If the operator’s blood alcohol content is above the legal limit, violators are subject to a civil penalty up to \$1,000.00 or criminal penalty up to \$5,000.00, one year imprisonment or both. Operating a boat under the influence can also result in a loss of automobile driving privileges.*



## Reporting Accidents

The USCG requires the owner or operator of a boat involved in an accident, to report the incident to the proper marine law enforcement agency for the state in which the accident occurred. Immediate notification to the nearest State boating authority is required if a person dies or disappears as a result of a recreational boating accident. If a person dies or sustains injuries requiring more than first aid, a formal report must be filed within 48 hours of the accident. A formal report must be filed within 10 days for accidents exceeding \$500 in property damage or complete loss of boat.

## Rendering Assistance

If you see a distress signal or suspect a boat is in trouble, you must assume it is a real emergency and render assistance immediately. By law, the operator in charge of the craft is obligated to provide assistance to any individual in danger if such assistance can be provided safely. Failure to render assistance can result in a fine and/or imprisonment.

The 1971 Boating Safety Act grants protection to a "Good Samaritan" boater providing good faith assistance, and absolves a boater from any civil liability arising from such assistance.

## Required Safety Equipment

The Federal Boat Safety Act of 1971 (FBSA/71) established minimum safety standards for boats and associated equipment, specified by the USCG. In addition, the ABYC and the NMMA work with boat builders to develop voluntary standards that exceed base requirements.

The included safety equipment on your Correct Craft boat meets or exceeds the standards of the USCG, ABYC and the NMMA. Some required safety equipment such as PFDs are not included with your Correct Craft boat. Your Correct Craft Dealer can help you choose the appropriate equipment.

### NOTICE

*Many states' equipment requirements go beyond USCG requirements.  
Contact your state boating office for further information.*



# Section I

U  
R  
G  
E  
N  
T

Equipment requirements for coastal and inland waters differ. Check with local authorities or the USCG for further information about coastal water requirements.

The following equipment may or may not be required by federal/local regulations.

## Life Saving Equipment

Federal law requires at least one Type I, II, III, or V Personal Flotation Device (PFD), of the proper size, for each person on board or being towed, and at least one Type IV throwable PFD in the boat.

There are four types of PFDs to wear and one type used for throwing in emergency situations.

**Type I Life Preserver:** Most buoyant PFDs are effective on all waters, especially open, rough water.

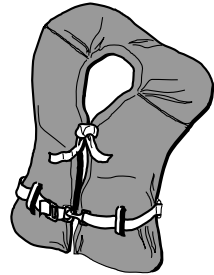
**Type II Buoyant Vest:** Good for calm water near shore on most inland waters where quick rescue is likely.

**Type III Flotation Aid:** Good for most inland water applications where quick rescue is likely. Comes in various styles and some are designed for water sport activities.

**Type V Hybrid PFD:** Inflatable design for special use activities and may be used instead of a Type I, II, or III PFD if used in accordance with the approval conditions on the label and if worn when the boat is underway. Some Type V PFDs provide increased protection against hypothermia.



Type I  
Life Preservers



Type II  
Buoyant Vests



Type III  
Flotation Aids



Type V - Hybrid PFD  
Must Be Worn  
When Underway

## NOTICE

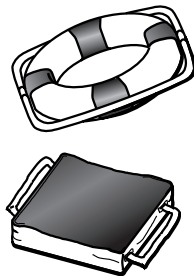
- *A Type V PFD must be worn to be counted toward the minimum carriage requirements.*
- *Special PFDs are available for skiing and other water sports. These PFDs are constructed with materials suitable for high impact falls.*

PFDs are intended to help save lives. The operator should set an example by wearing one. Wear a PFD whenever boating. It is especially important that children and non-swimmers wear a PFD at all times. Make certain all passengers know how to put on and properly adjust their PFDs. Also, selecting the proper type PFD for your kind of outing helps ensure your time on the water can be the safest possible.

At the beginning of each season, check PFDs for damage and test for proper flotation. Refer to the PFD manufacturer's information.

All boats over 16 feet (4.8 meters) in length must carry one USCG approved Type IV throwable lifesaving device, such as a ring buoy or buoyant cushion. To meet requirements, each lifesaving device must have a current, legible USCG approval stamp permanently affixed.

**Type IV Throwable Device:** Intended for heavy traffic inland waters where help is available. Designed to be thrown to a person in the water and should never be worn.



**Type IV  
Throwable Devices**

Your Correct Craft Dealer can help you select appropriate PFDs and throwable lifesaving devices for your area.



# Section I

U  
S  
C  
O  
A  
S  
T  
G  
U  
A  
R  
D  
C  
O  
D  
E  
S

## Navigation Lights

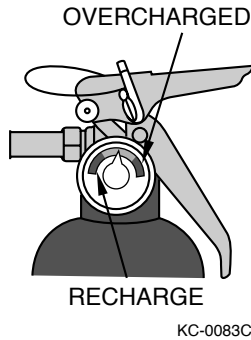
All power boats underway between sunset and sunrise must display proper navigation lights. All boats at anchor must display a proper anchor light. The anchor light must be visible 360 degrees.

## Horn or Whistle

All boats over 16 feet (4.8 meters) in length must be equipped with an operable horn or whistle, audible from one mile. Your Correct Craft boat is equipped with a USCG approved horn.

## Fire Extinguisher

At least one approved B-1 portable fire extinguisher is required. Make sure all passengers know the location and operating procedure for each fire extinguisher. Check fire extinguisher regularly for condition and state of charge.



1. Overcharge
2. Recharge

### Portable Fire Extinguisher

## Visual Distress Signals

All boats over 16 feet (4.8 meters) must have onboard day and night visual distress signals when operating on coastal waters, the Great Lakes, territorial seas or those waters directly connected to them, up to a point where the body of water is less than two miles wide. Carry several types of signaling devices to handle a variety of conditions. Your Correct Craft Dealer can help you select appropriate visual distress signals for your area.

# Boating Safety

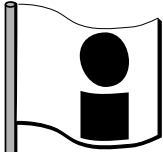



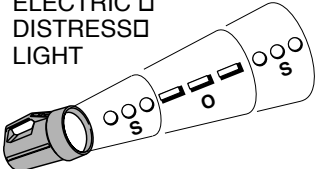
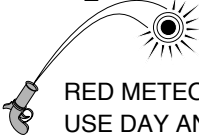

If you are required to carry distress signals, you must have three USCG approved pyrotechnic devices. Be sure they are in serviceable condition, not exceeding the expiration date and stored in a cool, dry location in a waterproof container. Have enough signals on board to last three days.



## WARNING

**Pyrotechnic signaling devices can cause fire and / or explosion, death, serious injury and property damage if improperly handled. Follow the manufacturer's directions.**

### VISUAL DISTRESS SIGNALS

 <p>ORANGE FLAG □</p> <p>USE DAY ONLY</p>	<p>RED DISTRESS FLARE (HAND) □</p>  <p>USE DAY AND NIGHT</p>
 <p>ARMS SIGNALS □ (USE BRIGHT CLOTH)</p> <p>USE DAY ONLY</p>	<p>USE □ DAY □ ONLY</p>  <p>ORANGE SMOKE SIGNAL (HAND) □</p>
<p>ELECTRIC DISTRESS LIGHT □</p>  <p>USE NIGHT ONLY</p>	 <p>RED METEOR FLARE USE DAY AND NIGHT</p>
<p>DYE MARKER</p>  <p>USE DAY ONLY</p>	

KC-0082

2011-2012



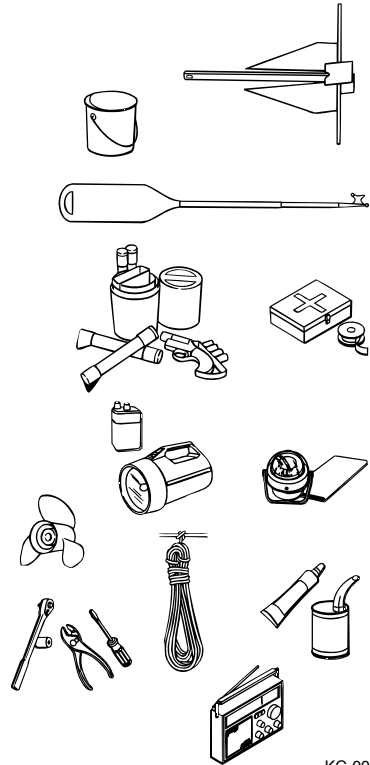
# Section I

U  
L  
T  
I  
M  
A  
T  
E

## Recommended Safety Equipment

As a precaution, a good boater will avoid potential problems on an outing by having additional equipment on board. Normally, this equipment is dependent on the body of water and the length of the trip; your Correct Craft Dealer can assist you:

- First aid kit and manual
- Anchor with at least 75 feet (23 meters) of line
- Mooring lines and fenders
- Bailing device (bucket, hand pump)
- Combination oar/boat hook
- Local charts and compass
- Day/night distress signals
- Waterproof flashlight and spare batteries
- Cellular phone
- Binoculars
- Portable AM/FM radio with weather band
- Lubricant
- Tool kit
- Spare propeller and mounting hardware
- Spare fuses
- Spare keys
- Sunglasses and sun block lotion



KC-0090

## Emergency Stop Switch and Lanyard

Your Correct Craft boat is equipped with an emergency stop switch and lanyard. Correct Craft strongly recommends that the lanyard be secured to the operator and the lock plate attached to the emergency stop switch prior to starting the engine and anytime the engine is operating.

The lanyard is designed to turn off the engine whenever the operator moves far enough away from the helm to activate the switch. It is strongly recommended that the lanyard be used by the operator.



### WARNING

**An Emergency Stop Switch system that is not used or does not function properly can cause death or serious injury. DO NOT operate the boat if the Emergency Stop Switch system does not function properly.**

- Attach the emergency stop switch lanyard to a secure place on your clothing, your arm or leg while operating.
- DO NOT attach the lanyard to clothing that could tear loose. DO NOT route the lanyard where it could become entangled, preventing it from functioning.
- Avoid accidentally pulling the lanyard during normal operation. Loss of engine power means loss of most steering control. Also, without engine power, the boat could slow rapidly. This could cause people and objects in the boat to be thrown forward.

There are practical limitations to what the emergency stop switch and lanyard can do. It can take several seconds for the engine and propeller to stop turning. The boat can continue to coast for several hundred feet depending on the velocity at the time the switch was activated, and the degree of any turn. While the boat is coasting, it can cause injury to anyone in its path as seriously as if the boat operated under power.





# Section I

---

Replacement lanyards should be of sufficient length to avoid inadvertent activation. Accidental loss of power can be hazardous particularly when docking or in heavy seas, strong current or high winds.

## Emergencies

Be prepared to deal with emergencies before they happen. Try to formulate a plan for each type in advance so that decisions can be made quickly and without hesitation. Precious moments lost can mean the difference between losing and saving a life.

### Fire/Explosion

You must be prepared and act quickly when dealing with a fire. It is not recommended to battle a fire for an extended period of time. Turn engines off and abandon the boat if the fire cannot be extinguished quickly. Swim at least 25 yards (23 meters) upwind from the boat and use the visual distress signals to get assistance.



#### **WARNING**

**Burn hazard from gasoline floating on water which is ignited can cause death or serious injury. Gasoline will float on top of water and can burn. If the boat is abandoned, swim upwind, far enough to avoid fuel that can spread over the surface of the water.**

Onboard fires involving the fuel system usually result in either an explosion that completely destroys the boat, or the boat burning to the waterline and self-extinguishing. Deciding on abandoning the boat or staying to fight the fire is difficult and depends on many factors. Try to formulate a fire plan in advance to help make that decision quickly and without hesitation.

Be sure to:

- Use caution and do not smoke when refueling.
- Verify that fuel does not leak.
- Use only marine approved equipment on your boat.



## Capsizing and Swamping

A boat may capsize or swamp when least expected. Like fires, try to formulate a plan in advance on what to do if it should happen. Keep in mind the following guidelines:

- Try to turn the engine OFF to prevent damage.
- If others were on board, try to locate them, make sure they are conscious and that they can swim.
- **Stay with the boat, it will float!** Climb up on the hull and try to get assistance.
- Do not try to swim to shore. It is usually farther than it looks.

If a leak is discovered, immediately determine the cause. A collision with an underwater object could cause the hull to develop a leak. A loose fitting or hose clamp on a piece of equipment could cause a leak. Try to repair the leak if possible. If a leak is threatening the safety of you and your passengers, call or signal for assistance.

## Collisions

If a collision occurs, immediately account for all passengers. Assess the hull for damage and activate the bilge pumps to reduce any water intake. Try to operate the boat to keep the damaged area above water. If necessary, call or signal for assistance.

## Grounding

In the event you run aground, assess the situation before proceeding. Immediately stop any water from entering the boat. Inspect the rudder and rudder control system, the hull, propeller and strut for damage. Maneuver the boat to safe water only if the hull and all operating systems are in satisfactory operating condition. Otherwise, call or signal for assistance.

## Water Rescue (Man Overboard)

Immediately react to a person who has fallen overboard. Keep the victim constantly in your sight. Safely return to the victim as soon as possible. Throw the person a life preserver. Turn off the engine and help the person into the boat.



# Section I

---

W  
A  
T  
E  
R  
C  
R  
A  
F  
T  
I  
N  
G

## Medical Emergency

Be prepared in the event of an emergency. Know how to use your first aid kit. Be aware of any special medical conditions of your passengers.

## Operation Failure

If you experience a propulsion, steering or control failure, immediately turn OFF the engine. Try to determine the failure and repair, if possible. Otherwise, call or signal for assistance.

## Hazardous Conditions

Every waterway poses hazards that you should avoid, such as shallow water, tree stumps and sand bars. Ask local boaters for information and consult a marine chart when boating on unfamiliar waters. As the operator of the boat, you should try to avoid all hazards, known and unknown. The following information does not contain all possible water hazards.

### Shallow Water Operation

Operating in shallow water presents a number of hazards. If a vibration is noticed after striking an object, it may indicate a damaged propeller shaft or propeller.

Sand bars in narrow inlets are constantly shifting, making it difficult to mark them with buoys. Tides in coastal areas affect water levels producing sand bars. Sometimes sand bars are indicated by waves as they form into breakers when passing over the sand bar. Refer to Grounding, in this section, if you run aground on a sand bar.

### Weeds

Weeds are generally a threat to your boat's engine. Weeds on the propeller may cause a vibration. They may also restrict water intake causing the engine to overheat. If you run into weeds, stop the engine and clear the propeller and water intakes completely of weeds. Refer to your engine Operator's Manual for additional information.



## NOTICE

*Weeds can sometimes be removed by shifting to NEUTRAL, pausing for a moment, then shifting to REVERSE to unwind the weeds from the propeller.*

## Dam Spillways

The water level around a dam spillway is a hazardous area. It is subject to rapid changes caused by currents and turbulence. Keep clear of the spillway areas below dams.

## Weather/Seas

Getting caught in severe weather is hazardous. It is recommended to check the weather, sea and wind conditions not only before, but also periodically while you are boating.

A change in wave height, wind direction and speed indicates deteriorating weather. Take common sense precautions if you are forced to operate your boat in stormy conditions:

- Wear PFDs.
- Reduce speed and head for a safe place that you can easily reach.
- If you lose power, keep the boat headed into the waves by using the anchor.

It is best to avoid operating your boat in foggy weather. When fog sets in take bearings and log courses and speeds. You are required to emit a five-second blast from your horn or whistle once every minute. Additionally, have passengers wear PFDs and observe for oncoming watercrafts.

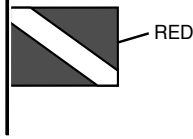


# Section I

W  
A  
R  
N  
I  
N  
G  
M  
A  
R  
K  
E  
R  
S

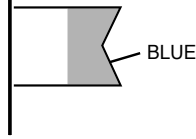
## Warning Markers

DIVERS FLAG



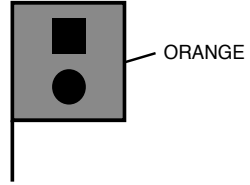
USED BY  
RECREATIONAL  
DIVERS -  
INDICATES  
DIVER'S  
POSITION

ALPHA FLAG



WORLDWIDE VESSELS  
ENGAGED IN DIVING  
OPERATIONS - DOES  
NOT INDICATE  
DIVER'S POSITION

DISTRESS FLAG

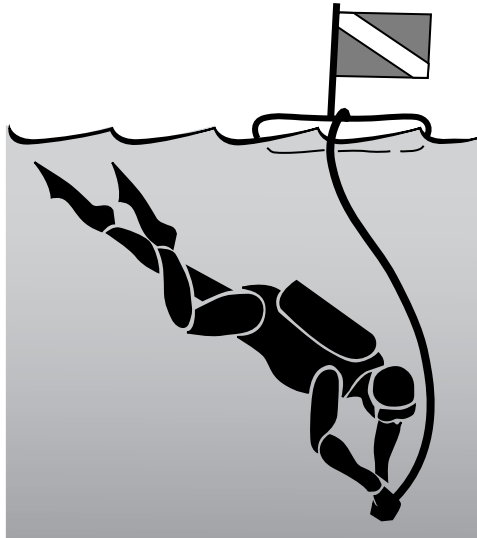


INDICATES  
FELLOW  
BOATER IS IN  
NEED OF  
ASSISTANCE

KC-0352C-a

## Warning Markers

It is a good idea to ask local authorities if there are hazardous areas and how they are marked. Boaters must also recognize the flag designs, which indicate that skin divers are present and keep well clear of the area.



KC-0250C

## Skin Diver Warning Flag

Watch for swimmers. Swimming areas may not be marked. Steer clear from the area and remain alert.





KC-0260C

## Swim Area Warning Buoy

Navigation markers serve as a means of identifying navigable routes, and indicate water hazards. Boaters should become familiar with navigation markers and stay within marked boundaries and clear of hazards.

## Carbon Monoxide



Carbon Monoxide (CO) is a colorless and odorless gas produced by all engines and fuel burning appliances. Even with the best boat design and construction, plus the utmost care in inspection, operation and maintenance, hazardous levels of CO may still be present in occupied spaces under certain conditions.

**! DANGER !**

**Exposure to carbon monoxide (CO) can cause death or serious injury. Gasoline engines produce carbon monoxide (CO). CO is colorless, odorless and dangerous.**

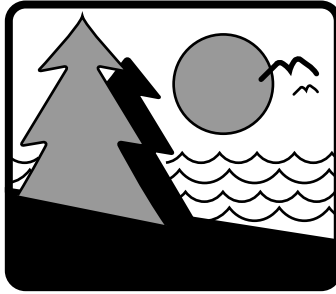
**Direct and prolonged exposure to CO will cause brain damage or death. Signs of exposure to CO include nausea, dizziness and drowsiness. Avoid exposure to yourself and / or your passengers to carbon monoxide.**

Have a suspected CO victim deeply breathe fresh air and immediately seek medical attention.



## Our Environment

As a boater, you already appreciate nature's beauty and the peace of the great outdoors. It is a boater's responsibility to protect the natural environment by keeping waterways clean.



### Foreign Species

If you trailer your boat from lake to lake, you may unknowingly introduce a foreign aquatic species from one lake to the next. Thoroughly clean the boat and trailer below the water line, remove all weeds and algae, and drain the bilge and ballast tanks before launching the boat in a new body of water.

### Fuel/Oil Spillage



#### **WARNING**

**Fire or explosion hazard from fumes accumulating from rags being stored in bilge area. DO NOT store rags used to wipe up fuel or solvent spills in the boat. Dispose of rags properly ashore.**

The spilling of fuel or oil into our waterways contaminates the environment and is dangerous to wildlife. **DO NOT** discharge or dispose of fuel, oil or other chemicals into the water; it is prohibited and you can be fined. These are two common, accidental types of discharge:

- Overfilling the fuel tanks
- Pumping contaminated bilge water

## Discharge/Disposal of Waste

Waste means all forms of garbage, plastics, recyclables, food, wood, detergents, sewage and even fish parts in certain waters – in short, nearly everything. We recommend you bring back everything you take out with you for proper disposal ashore.

## Excessive Noise

Noise means engine noise, radio noise or even voices. Many bodies of water have adopted noise limits. Music and loud conversation can carry a considerable distance on water, especially at night. Be sure to follow regulations and be courteous.

## Wake/Wash

Be alert for NO WAKE zones. Prior to entering a no wake zone, come off plane to the slowest steerable speed. Use caution when operating around smaller crafts, in channels and marinas, and in congested areas.

## Exhaust Emissions

Increased exhaust (hydrocarbon) emissions pollute our water and air. Keep your engine tuned and boat hull clean for peak performance. Consult your Correct Craft dealer for information.

## Paints

If your boat is kept in water where marine growth is a problem, the use of anti-fouling paint may reduce the growth rate. Be aware of environmental regulations that may govern your paint choice. Contact your local boating authorities for information.





# Section I

---



## Cleaning Agents

Household cleaners should be used sparingly and not discharged into waterways. DO NOT mix cleaners and be sure to use plenty of ventilation in enclosed areas. DO NOT use products which contain phosphates, chlorine, solvents, non-biodegradable or petroleum based products. Citrus-based cleaners are excellent for marine cleaning purposes and are safe for you and the environment.

## MARPOL Treaty

The USCG enforces the International Convention for the Prevention of Pollution from ships, commonly referred to as the MARPOL Treaty (MARine POLLution). This treaty prohibits the overboard dumping of all ship-generated plastics, chemicals, garbage and oil.

## Water Sport Safety

Skiers or riders are obligated to be aware of the same fundamental safety rules as operators. If you are new to water skiing, seek certified training before starting. You will find it especially helpful to join a local ski club, World Wakeboard Association and/or the USA Water Ski, when possible.

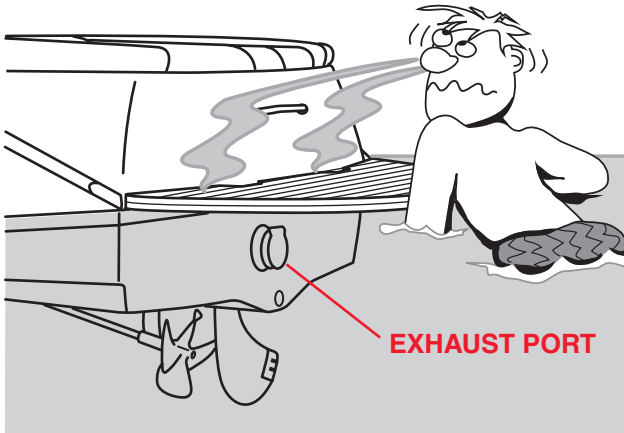
Always remember that the majority of water skiing injuries are the result of impacts with other objects. Always look where you are going and be aware of what is going on around you.

## Teak/Drag Surfing

READ, UNDERSTAND and be FAMILIAR with the information contained on warning labels and adhere to the boat operation practices described on them. The United States Coast Guard issued a SAFETY ALERT on August 28, 2001 that covers some of the issues of improper use of the boarding platform. The SAFETY ALERT and portions of the accompanying information follow:



# Boating Safety



CORC023

Every year tragic deaths occur from the negligence of unsafe boating and dangerous activities. Experts say, "many of these deaths may have been caused by an invisible hazard, carbon monoxide poisoning." Taking the risk of swimming under a boarding platform when the engine is running, skiing within 20 feet (6.1 meters), "teak surfing" or "dragging" behind a moving boat can be fatal. Correct Craft DOES NOT consider any dangerous activities which can result in a serious injury or death a water sport. Correct Craft is concerned for all boaters safety and DOES NOT promote unsafe boating risks or jeopardizing any boaters safety.

DO NOT use the boarding platform for any other purpose than boarding the boat or preparation of entering the water, and DO NOT use the boarding platform when the engine is running.

2  
3  
4  
5  
6  
7  
8  
9  
10  
11  
12  
13  
14  
15  
16  
17  
18  
19  
20  
21  
22  
23  
24  
25  
26  
27  
28  
29  
30  
31  
32  
33  
34  
35  
36  
37  
38  
39  
40  
41  
42  
43  
44  
45  
46  
47  
48  
49  
50  
51  
52  
53  
54  
55  
56  
57  
58  
59  
60  
61  
62  
63  
64  
65  
66  
67  
68  
69  
70  
71  
72  
73  
74  
75  
76  
77  
78  
79  
80  
81  
82  
83  
84  
85  
86  
87  
88  
89  
90  
91  
92  
93  
94  
95  
96  
97  
98  
99  
100



# Section I

---

## WATERCRAFT

### **SAFETY ALERT From August 28, 2001:**

The United States Coast Guard advised boaters not to "Teak/Drag Surf." Recent boating fatalities revealed that carbon monoxide (CO) emitted from a vessel's exhaust resulted in CO poisoning and the death of at least six teak surfers. "Teak/Drag Surfing" places the individual in position directly exposed to the CO in the engine's exhaust. This may result in a loss of coherent responses and even death. In addition, "Teak/Drag Surfing" dangerously exposes the individual to a possible propeller injury, and since it is done without a life jacket (PFD), it significantly increases the probability of drowning. Therefore, the Coast Guard stresses, "Teak/Drag Surfing" is a very dangerous activity and advises boaters not to participate in it.

The Coast Guard pointed out that carbon monoxide is one of the most dangerous gases. It strikes before you know you are exposed and it impairs in a way that can and too often does lead to death. That is why it is so important to the Coast Guard that in every circumstance where it can be avoided, it is.

### **General Water Sport Precautions**

- **DO NOT ski in shallow water, close to shore or in water where you do not know the depth or what is beneath the surface.**
- **DO NOT put your arm, head or any other part of your body through the handle-bridle of the ski line nor wrap the line around any part of the body at any time.**
- **DO NOT ski at night or directly in front of other boats.**
- **DO NOT jump from a boat that is moving at any speed, nor enter or exit the water when the engine is running (RUN).**
- **DO NOT approach the boat if the engine is running.**
- **DO NOT ski near swimming areas, beaches or personal watercraft.**
- **DO NOT follow directly behind another boat or skier without leaving an adequate safe distance.**
- **DO NOT "back up" to anyone in the water.**
- **DO NOT ski with multiple skiers with different length ropes.**
- **DO NOT ski in limited visibility conditions.**
- **DO NOT approach the rear of the boat while the engine is running.**



- **DO NOT Kitefly.**
- **Make sure that everyone knows and uses approved skiing hand signals and common skiing courtesy.**
- **Be sure to turn off the engine before allowing anyone to approach the boat.**
- **The engine MUST be shut down (OFF) before a skier enters or exits the boat, boarding platform or ladder.**
- **Every skier MUST always wear a USCG-approved Type III personal flotation device. Special PFDs are available for high impact falls into the water.**
- **Maintain a distance of at least 100 feet from all other objects, including other boats, piers, rafts, mooring and navigational buoys, pilings, abutments or any other items.**
- **Be sure to have an experienced operator and observer in the boat when skiing.**
- **Look before you turn the boat to pick up a fallen skier.**
- **Have ship to shore communication devices if operating at a significant distance off shore.**
- **The operator should never retrieve or pick up an article from the water while the engine is running. The engine MUST be shut OFF.**
- **The operator should always keep the skier in view when the skier is entering or exiting the boat.**
- **Communicate skiing speed with the skier before starting.**
- **The operator should know the ability level of the skier.**
- **The skier should indicate he/she is clear of the boat prior to starting the boat or putting the boat into gear and tightening the rope.**
- **The operator, observer and skier should agree to communication hand signals before starting.**
- **Observer in the boat should keep operator apprised of skier status.**
- **The operator should always watch the skier as the line is tightened to start (in case rope wraps around ski or skier).**
- **The operator should look ahead before starting.**
- **Start from a safe place with good forward and peripheral visibility.**
- **The operator should check direction of the rudder before**



# Section I

---



starting (in gear, slowly making sure the boat goes straight).

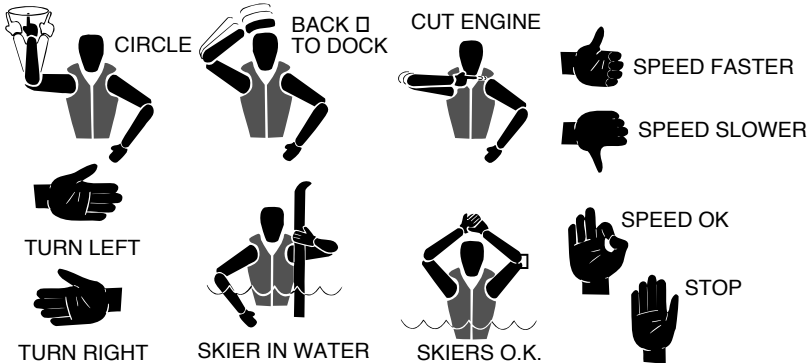
- The operator should be primarily aware of what is occurring in front of the boat, but be aware of skier's progress.
- Be sure to inspect the tow eye or pylon before use. If there is any evidence of corrosion or other damage, do not use until it has been inspected by your Correct Craft dealer.
- Be sure to wear wet suits or protective shorts when skiing to prevent abrasions, hypothermia and injuries to orifices (rectal and vaginal) from impact with a water surface.
- When people are getting on or off of water sports equipment, always turn the engine off. If boarding water sports equipment from the boat, always do so from the boarding platform.
- Always inspect water sports equipment for wear, fraying, etc., before use. **DO NOT** use if they show signs of wear or fraying.
- When approaching a skier, always turn the engine off before allowing the skier to come onboard. This will keep a propeller that is rotating under engine power from injuring the skier.
- Be sure to approach a downed skier on the operator's side, keep the skier always in view.
- Display a skier down flag whenever the skier is in the water and not skiing.
- Inspect towline for fraying, unnecessary knots or cuts. Replace when the rope shows signs of wear. **DO NOT** wait for the rope to break before replacing an old rope.
- Be sure to follow the approved towing pattern on each lake.



# Boating Safety

When participating in water sports, be safe and courteous and follow these guidelines:

- Be considerate to fishermen and others you share the water with.
- DO NOT perform water sports in congested areas.
- Stay away from navigation markers.
- Stay away from other boats and water sports participants.



KC-0271C-a

## Water Sport Hand Signals

### Watersports Responsibility Code

Be aware that there are elements of risk in boating, skiing and riding that common sense and personal awareness can help reduce. Know your ability level and stay within it.

To increase your enjoyment of the sport follow the “Watersports Responsibility Code.”

It is your responsibility to:

- Familiarize yourself with all applicable laws, the risks inherent in the sport and the proper use of equipment.
- Know the waterways where you will be skiing or riding.
- DO NOT ski or ride in shallow water, near shore, docks, pilings, swimmers or other watercraft.
- Always have a person other than the boat driver as an observer and agree on hand signals before starting.
- Always wear a U.S. Coast Guard type III (PFD) vest.

2  
3  
4  
5  
6  
7  
8  
9  
10  
11  
12  
13  
14  
15  
16  
17  
18  
19  
20  
21  
22  
23  
24  
25  
26  
27  
28  
29  
30  
31  
32  
33  
34  
35  
36  
37  
38  
39  
40  
41  
42  
43  
44  
45  
46  
47  
48  
49  
50



# Section I

---



- Read your owner's manual and inspect your equipment prior to use.
- Ski or ride within your limits.
- Always ski or ride in control and at speeds appropriate for your ability.
- Always turn ignition off when anyone is near watercraft power drive unit.
- Avoid CO poisoning!
- Never drag within 20 feet (6.1 m) behind a moving watercraft.
- DO NOT operate watercraft, ski or ride under the influence of alcohol or drugs.





## Section 2

# Basic Rules of the Road



### **WARNING**

**Hazard from collisions between boats can cause death or serious injury. Follow the nautical “Rules of the Road.”**

The operator is legally required to follow the rules. The following information outlines only the most basic of the nautical “Rules of the Road.” For more information, contact your local USCG Auxiliary.

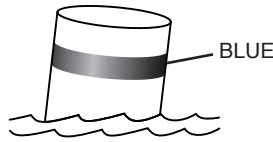
## Aids To Navigation

Learn to recognize the different buoys and day markers; they are the signposts of the waterways. There are two primary marking systems in use in the U.S.: the Uniform State Waterway Marking System (USWMS), used on inland waters and maintained by each state, and the Federal Waterway Marking System (FWMS), used on coastal waters and rivers and maintained by the USCG. In addition, the FWMS has two modified systems: the Western River Buoyage, and the Intercoastal Waterway Buoyage. Be sure to check with local authorities on the buoyage system in use.

The type of hazard/warning buoys and markers depends on the area of jurisdiction. Check with local boating authorities.

The only buoys you are permitted to moor to are mooring buoys. Mooring to a navigation buoy or other navigational aid or regulatory marker is illegal.





KC-0412C

### **Mooring Buoy – White with Blue Band May Show White Reflector or Light**

#### **USWMS System**

In the USWMS Lateral System, well-defined channels are marked with red and black buoys. Lateral means the sides of the channel are marked and the boat should pass between them.

The USWMS Cardinal System is used when there is no well-defined channel or where an obstruction may be approached from more than one direction. With the cardinal system:

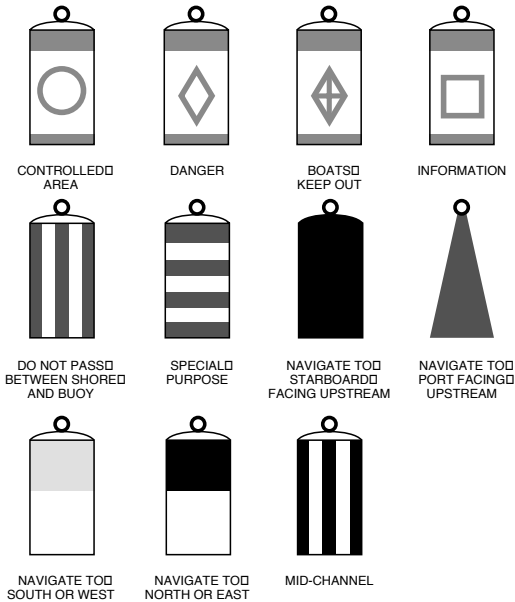
- Pass north or east of **BLACK-TOPPED WHITE** buoy.
- Pass south or west of **RED-TOPPED WHITE** buoy.
- **RED and WHITE VERTICALLY STRIPED** buoy indicates boat should pass outside of the buoy (away from shore).

# Basic Rules of the Road

## Uniform State Regulatory Markers

USWMS regulatory markers are white with international orange geometric shapes; you must obey regulatory markers.

UNIFORM STATE WATERWAY MARKING SYSTEM (USWMS)



KC-0411C

## Uniform State Waterway Marking System (USWMS)

### FWMS System

The FWMS Lateral System is for use on navigable waters except Western Rivers and Intercoastal Waterways.

The markings on these buoys are oriented from the perspective of being entered from seaward (the boater is going toward the port). This means that red buoys are passed on the starboard (right) side of the vessel when proceeding from open water into port, and green buoys to the port (left) side.

The right side (starboard) of the channel is marked with RED, even numbered buoys. The left (port) side of the channel is marked with GREEN, odd numbered buoys.





KC-042

## FWMS Marking System

The middle of the channel is marked with RED and WHITE vertically striped buoys; pass close to these buoys.



KC-0430

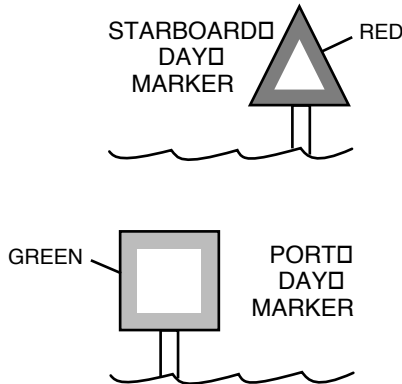
## Spherical Safe Water Marker

Obstructions, channel junctions, etc. are marked with RED and GREEN horizontally striped buoys.

A RED band at the top means the preferred channel is to the left of the buoy; a GREEN top band means the preferred channel is to the right of the buoy.

Day markers are colored and numbered the same as buoys. RED, triangular day markers with even numbers mark the starboard side of the channel. GREEN, square day markers with odd numbers mark the port side of the channel.

# Basic Rules of the Road



KC-0440C

Lights, bells and horns are used on buoys for night or poor visibility conditions. Buoys with unique light flashing characteristics are identified on nautical charts with the specific flashing pattern.

## Right of Way

### NOTICE

*In general, boats with less maneuverability have right of way over more agile craft. You must stay clear of the vessel with right of way and pass to his stern.*

### Privileged Boats

Privileged boats have right of way and can hold course and speed. Sailboats and boats paddled or rowed have the right of way over motor boats. Sailboats under power are considered motorboats. Small pleasure craft must yield to large commercial boats in narrow channels.

### Burdened Boats

The burdened boat is the boat that must make whatever adjustment to course and speed necessary to keep out of the way of the privileged boat.

2  
3  
4  
5  
6  
7  
8  
9  
10  
11  
12

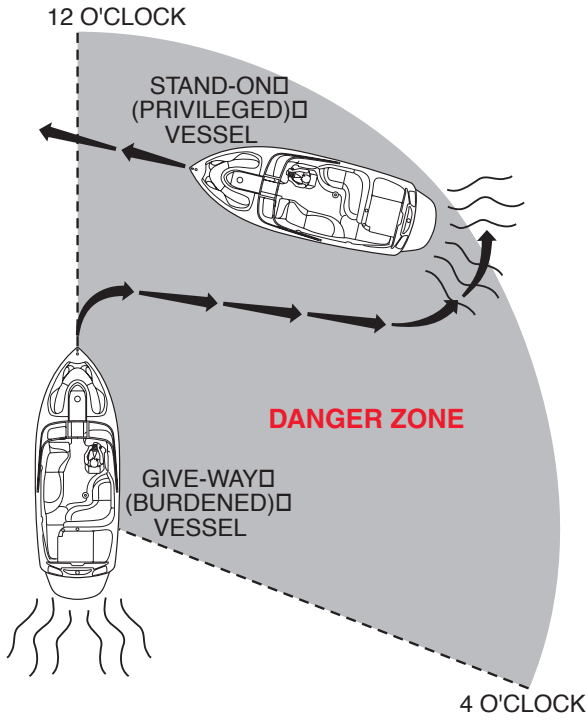


# Section 2

W  
A  
T  
E  
R  
S  
A  
F  
E  
T  
Y

## Crossing Situation

In crossing situations, the boat to the right from the 12 o'clock to the 4 o'clock position has the right of way. It must hold course and speed. The burdened boat keeps clear and passes behind the privileged boat. Boats going up and down a river have the privilege over boats crossing the river.



CORC017

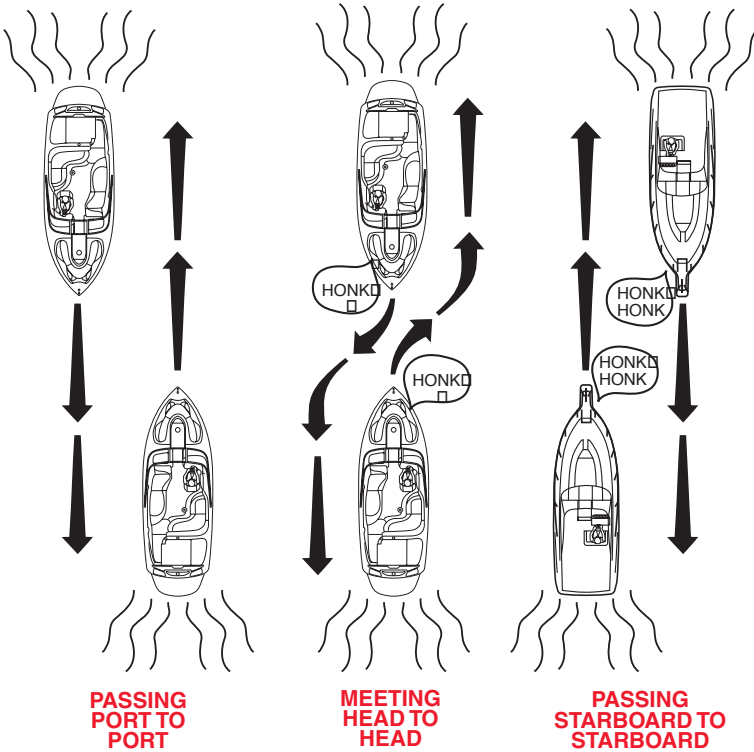
### Crossing



# Basic Rules of the Road

## Meeting Head-On

Neither boat has the right of way in this situation. Both boats should decrease speed, turn to the right and pass port-to-port. However, if both boats are on the left side of the channel, each vessel should sound two short blasts and pass starboard-to-starboard.



## Meeting Head-On

CORC018

2  
A  
P  
P  
E  
N  
D  
I  
C  
E

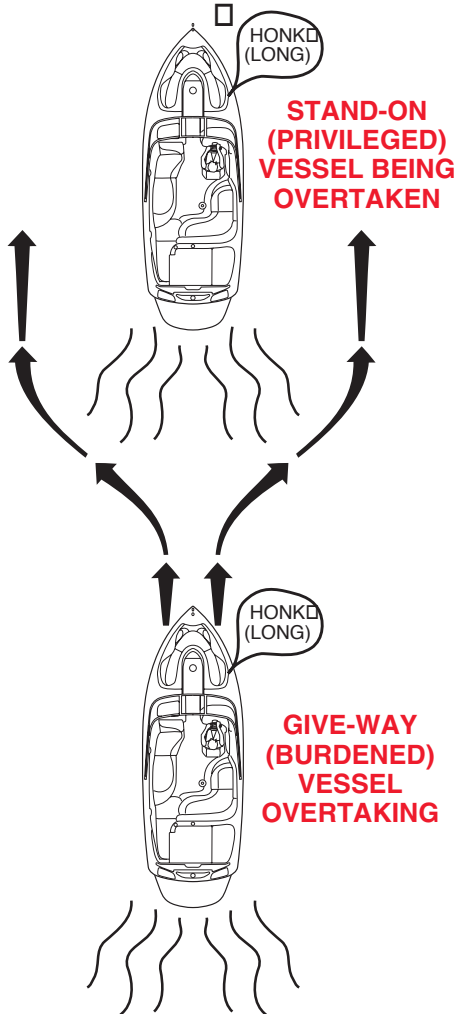


# Section 2

OPERATION

## Overtaking

The boat that is overtaking one ahead of it is the give-way boat and must make any adjustments necessary to keep out of the way of the stand-on boat. The stand-on boat should hold its course and speed.



CORC019

Overtaking



# **Basic Rules of the Road**

---

## **The General Prudential Rule**

The General Prudential Rule regarding right of way, is that if a collision appears unavoidable, neither boat has right of way. As prescribed in the "Rules of the Road," both boats must act to avoid collision.

## **Night Running**

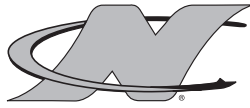
Boats operating between sunset and sunrise (hours vary by state) must use navigational lights. Nighttime operation, especially during bad weather or fog can be dangerous. All "Rules of the Road" apply at night, but it is best to slow down and stay clear of all boats, regardless of who has right of way. Protect your night vision by avoiding bright lights and have a passenger, if possible, help keep watch for other boats, water hazards and aids to navigation.

2  
3  
4  
5  
6  
7  
8  
9  
10  
11  
12  
13  
14  
15  
16  
17  
18  
19  
20  
21  
22  
23  
24  
25  
26  
27  
28  
29  
30  
31  
32  
33  
34  
35  
36  
37  
38  
39  
40  
41  
42  
43  
44  
45  
46  
47  
48  
49  
50  
51  
52  
53  
54  
55  
56  
57  
58  
59  
60  
61  
62  
63  
64  
65  
66  
67  
68  
69  
70  
71  
72  
73  
74  
75  
76  
77  
78  
79  
80  
81  
82  
83  
84  
85  
86  
87  
88  
89  
90  
91  
92  
93  
94  
95  
96  
97  
98  
99  
100









## Section 3

### 210, 211, 220, 226 and 236

## Specifications

### 210

Length with Platform.....	23' 3.5" (7.1 m)
Length without Platform.....	21' 0" (6.4 m)
Lifting Rings (distance between centers) .....	19' 7" (6.0 m)
Beam.....	98" (2.49 m)
Draft.....	28" (0.71 m)
Fuel Capacity .....	39 Gallons (148 l)
Approximate Weight* .....	3,800 lbs (1,724 kg)
Maximum Weight.....	10 People (1,450 lbs/660 kg)
Transmission Ratio.....	1:48

\* Weights are estimates and can vary from options and equipment added.

### 211

Length with Platform.....	23' 1" (7.04 m)
Length without Platform.....	20' 9" (6.32 m)
Lifting Rings (distance between centers) .....	19' 8" (5.99 m)
Beam.....	93" (2.36 m)
Draft.....	28" (0.71 m)
Fuel Capacity .....	38 Gallons (143.8 l)
Approximate Weight* .....	3,350 lbs (1,520 kg)
Maximum Weight.....	9 People (1,350 lbs/612 kg)
Transmission Ratio.....	1:48

\* Weights are estimates and can vary from options and equipment added.



## Section 3

U  
R  
I  
G  
I  
N  
A  
L

### 220

Length with Platform.....	24'3" (7.39 m)
Length without Platform .....	22'1" (6.73 m)
Lifting Rings (distance between centers) .....	20'7.25" (6.28 m)
Beam.....	.96" (2.44 m)
Draft.....	.29" (0.74 m)
Fuel Capacity.....	50 Gallons (189.3 L)
Approximate Weight* .....	4,070 lbs (1,846 kg)
Maximum Weight.....	12 people (2,050 lbs/930 kg)
Transmission Ratio.....	1:48

\* Weights are estimates and can vary from options and equipment added.

### 226

Length with Platform.....	24' 9.5" (7.56 m)
Length without Platform.....	22' 6.5" (6.87 m)
Lifting Rings (distance between centers) .....	21' 11" (6.38 m)
Beam.....	.96.5" (2.45 m)
Draft.....	.31" (0.79 m)
Fuel Capacity .....	50 Gallons (189.3 l)
Approximate Weight* .....	3,860 lbs (1,751 kg)
Maximum Weight.....	12 People (2,000 lbs/909 kg)
Transmission Ratio.....	1.46:1

\* Weights are estimates and can vary from options and equipment added.

### 236

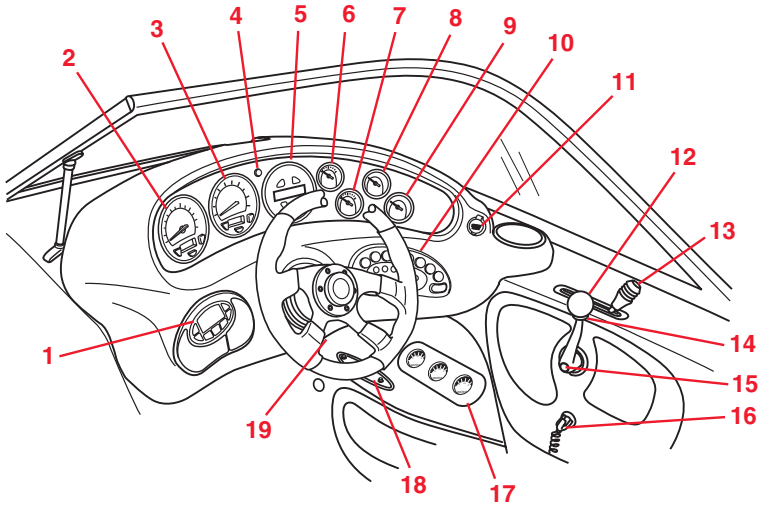
Length with Platform.....	25' 4.5" (7.73 m)
Length without Platform.....	23' 1.5" (7.04 m)
Lifting Rings (distance between centers) .....	22' 0.25" (6.71 m)
Beam.....	100.5" (2.55 m)
Draft.....	.29" (0.74 m)
Fuel Capacity .....	51 Gallons (193 l)
Approximate Weight* .....	4,300 lbs (1,950 kg)
Maximum Weight.....	14 People (2,200 lbs/998 kg)
Transmission Ratio.....	1:48

\* Weights are estimates and can vary from options and equipment added.

### NOTICE

*The dash configurations used in this section may show more features than what is included in your Nautique.*





CORC140

## 211, 220 Dash Pod and Console

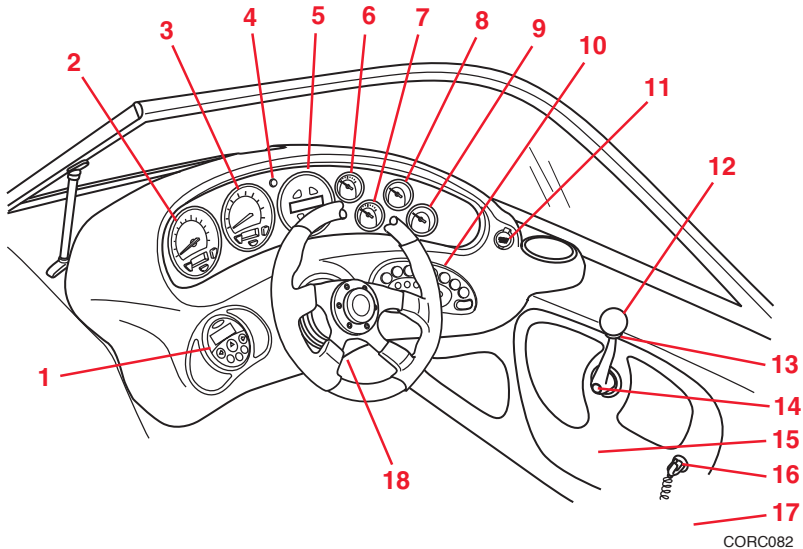
1. Digital Stereo Remote w/Clock
2. Tachometer
3. Speedometer
4. Check Engine Light
5. PerfectPass® – Wakeboard Pro
6. Oil Pressure Gauge
7. Fuel Level Gauge
8. Engine Temperature Gauge
9. Voltage Gauge
10. Ignition and Switch Panel – refer to Ignition and Switch Panel in this section
11. 12-Volt Port
12. Shifter/Throttle Control Handle
13. SportShift™ Hydro-Gate™ Control Handle
14. Shift Safety Lock-out Umbrella
15. Neutral Warm-up Button
16. Emergency Stop Switch
17. Ballast Tank(s) Level Gauges
18. Automatic Bilge Panel
19. Steering Wheel Tilt Lever

### NOTICE

*A full description of the gauges and switches and their functions is discussed in Section 4, Smart Pod – Limited or Team and Ignition and Switch Panel.*

NEPTUNE



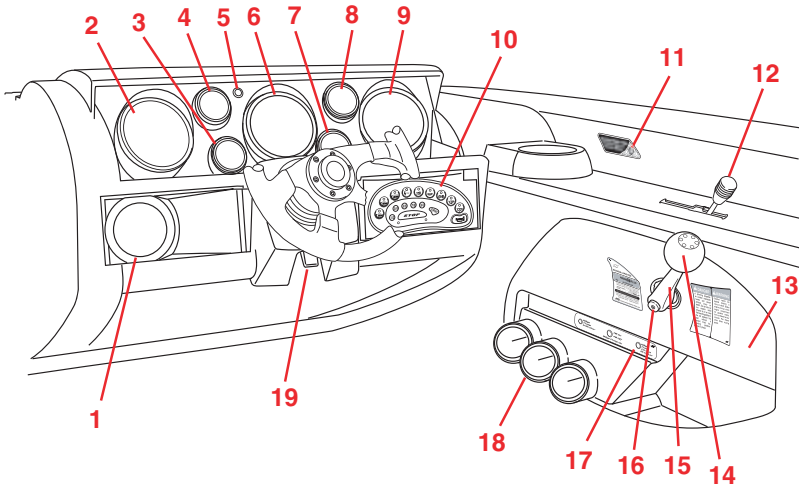


## 226 Dash Pod and Console

1. Digital Stereo Remote w/Clock
2. Tachometer
3. Speedometer
4. Check Engine Light
5. PerfectPass® – Wakeboard Pro
6. Oil Pressure Gauge
7. Fuel Level Gauge
8. Engine Temperature Gauge
9. Voltage Gauge
10. Ignition and Switch Panel – refer to Ignition and Switch Panel in this section
11. 12 Volt Port
12. Shifter/Throttle Control Handle
13. Shift Lock-Out Umbrella
14. Neutral Warm-Up Button
15. Ballast Tank(s) Level – not shown
16. Emergency Stop Switch
17. Automatic Bilge Panel – not shown
18. Steering Wheel Tilt Lever

### NOTICE

*A full description of the gauges and switches and their functions is discussed in Section 4.*



CORC208

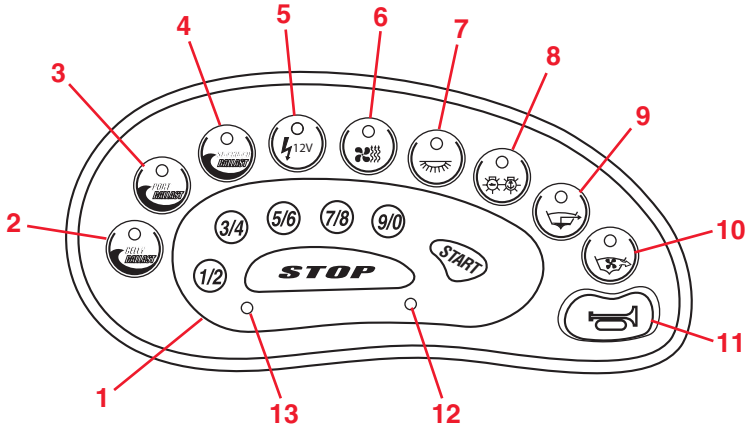
## 210, 236 Dash Pod and Console

1. Digital Stereo Remote w/Clock
2. Speedometer
3. Oil Pressure Gauge
4. Fuel Level Gauge
5. Check Engine Light
6. Tachometer
7. Voltage Gauge
8. Engine Temperature Gauge
9. PerfectPass® – Wakeboard Pro
10. Ignition and Switch Panel – refer to Ignition and Switch Panel in this section
11. Fire Extinguisher System – Optional
12. SportShift™ Hydro-Gate™ Control Handle
13. Emergency Stop Switch
14. Shifter/Throttle Control Handle
15. Shift Safety Lock-Out Umbrella
16. Neutral Warm-Up Button
17. Automatic Bilge Panel
18. Ballast Tank(s) Level Gauges
19. Steering Wheel Tilt Lever

### NOTICE

*A full description of the gauges and switches and their functions is discussed in Section 4.*





CORC083

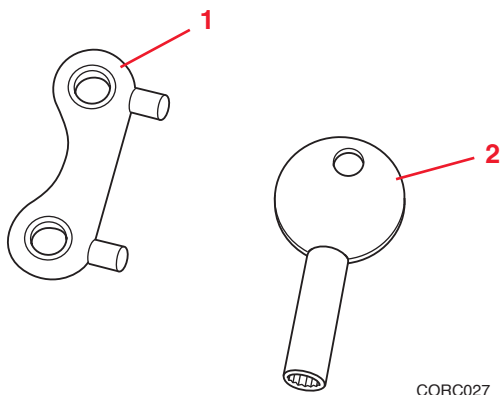
## Ignition and Switch Panel

1. Keyless Ignition Key Pad
2. Belly Ballast (if equipped)
3. Port Ballast (if equipped)
4. Starboard Ballast (if equipped)
5. 12-Volt Accessory
6. Heater Fan
7. Courtesy Lights/Docking lights
8. Navigation Lights/Anchor Light
9. Bilge Pumps
10. Engine Compartment/Bilge Area Blower
11. Horn
12. System Indicator Light
13. Ignition Indicator Light

### NOTICE

*If your boat is not equipped with the features on the Ignition and Switch Panel Switch buttons, the button will not have a function. A full description of the key pad keys and switch buttons and their functions is discussed in Section 4, Smart Pod - Limited or Team, Control Switches and Ballast Tank Control Switches.*

## Keys



CORC027

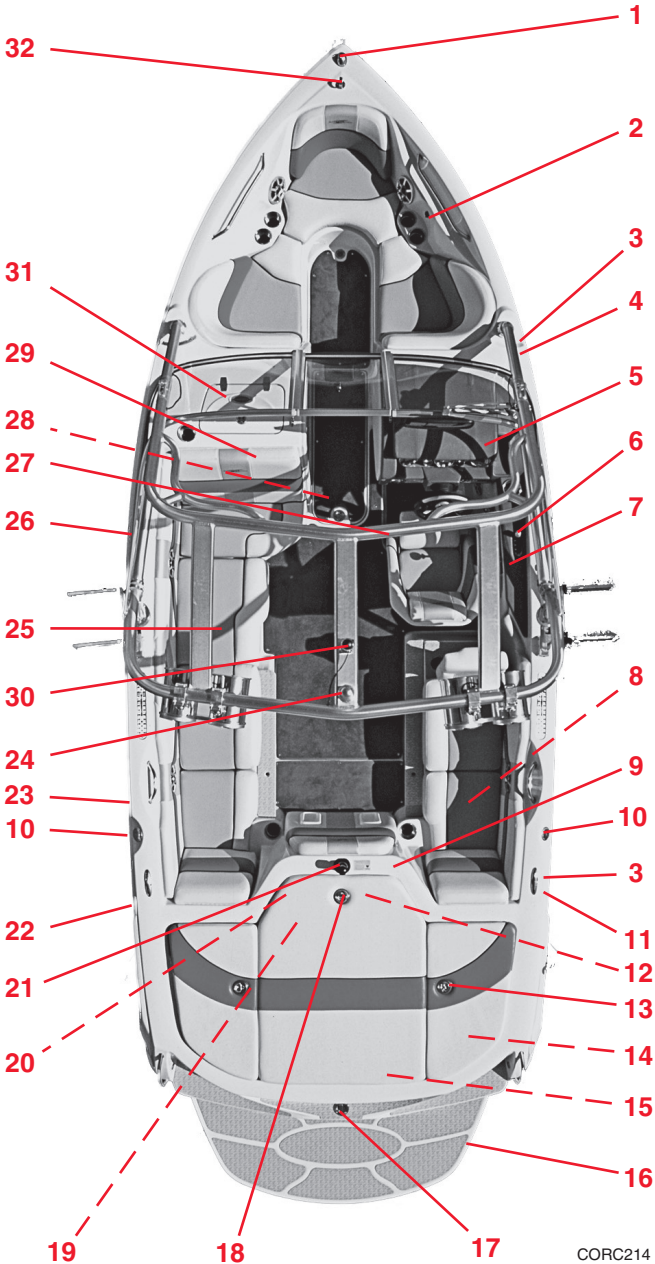
1. Fuel Tank Fill Cap Key
2. Hatch Latch Key



# Section 3

**NEPTUNE**

## 210 Deck Layout



CORC214



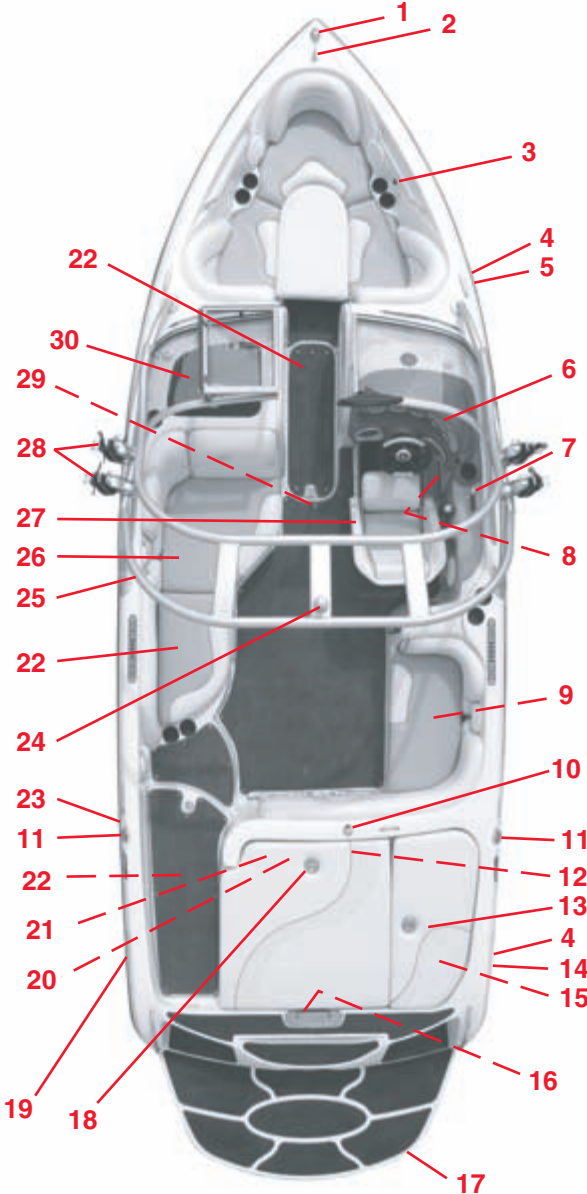
## **210**

### **Description**

1. Bow Navigation Light
2. 12V Port
3. Bilge Pump Outlet
4. Belly Tank Vent
5. Dash Pod & Console
6. Sport Shift
7. Automatic Bilge Panel
8. Storage
9. Anchor Light Receptacle
10. Fuel Tank Fill
11. Starboard Ballast Tank Vent
12. Engine Cooling Water Intake Strainer
13. Storage Hatch Latch
14. Storage Trunk
15. Rudder Shaft Remote Lube Fitting
16. Boarding Platform
17. Stern Lifting Ring
18. Engine Cover Latch
19. Engine Cooling Water Intake Shut-off Valve
20. Starboard/Port Ballast Tank Water Intake/Drain Valves
21. Watersports Tow Point
22. Port Ballast Tank Vent
23. Fuel Tank Vent
24. Flight Control Tower Watersports Tow Point
25. Aft Facing Flip Up Seat
26. Flight Control Tower
27. Operators Pedestal Seat Adjustment
28. Belly Tank Water Intake/Drain Valve
29. Love/Observers Seat/Storage Access
30. Flight Control Tower Anchor Light
31. Glove Box/Stereo/iPod™/MP3 Port/12V Port
32. Bow Lifting Ring



## 211 Deck Layout



CORC141

## 211

### Description

1. Bow Navigation Light
2. Bow Lifting Ring
3. 12V Port
4. Bilge Pump Outlet
5. Belly Tank Vent
6. Dash Pod and Console
7. SportShift
8. Automatic Bilge Panel
9. Built-in Cooler
10. Anchor Light Receptacle
11. Fuel Tank Fill
12. Engine Cooling Water Intake Strainer
13. Storage Hatch Latch
14. Starboard Ballast Tank Vent
15. Storage Trunk/Anchor Light Storage
16. Rudder Shaft Remote Lube Fitting
17. Boarding Platform
18. Engine Cover Latch
19. Port Ballast Tank Vent
20. Engine Cooling Water Intake Shutoff Valve
21. Starboard and Port Ballast Tank Water Intake/Drain Valves
22. Storage
23. Fuel Tank Vent
24. Watersports Tow Point
25. Flight Control Tower®
26. Love Seat/Storage Access/Cooler
27. Operator's Pedestal Seat Adjustment
28. Flight Clips™
29. Belly Tank Water Intake/Drain Valve
30. Glove Box/Stereo/iPod™/MP3 Port/12V Port

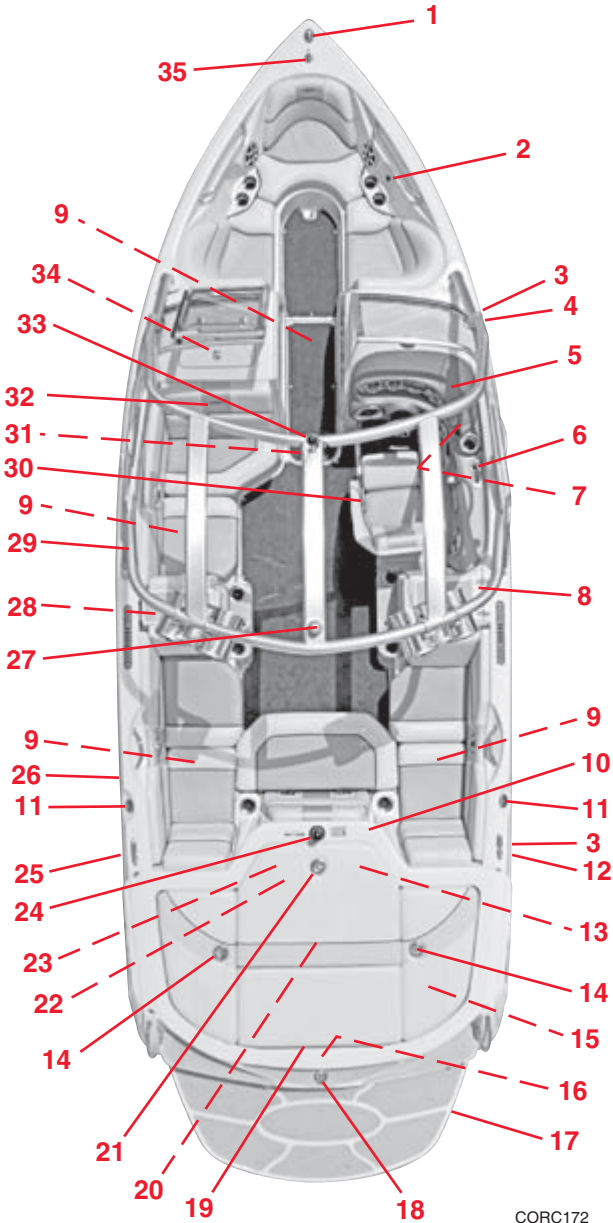
The primary battery is located in the port/aft storage compartment, below the storage hatch latch. The optional secondary battery and the optional battery selector switch are located in the forward portion of the Storage Trunk/Anchor Light Storage trunk. The optional battery selector switch is located next to the primary battery.



# Section 3

NEPTUNE

## 220 Deck Layout



CORC172



## 220

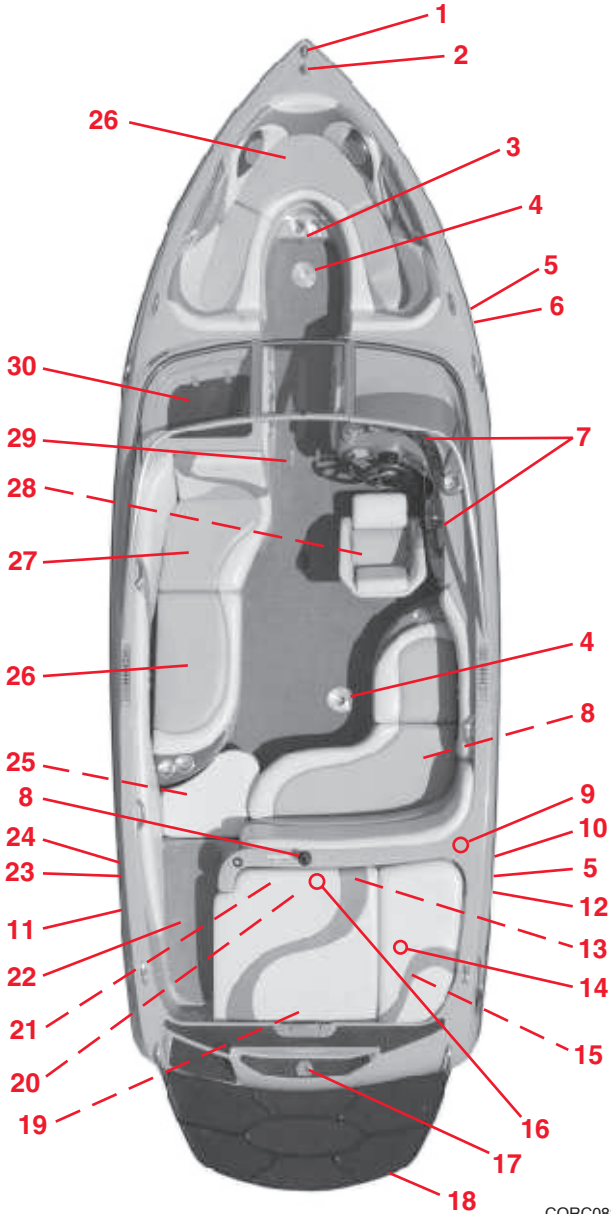
### Description

1. Bow Navigation Light
2. 12V Port
3. Bilge Pump Outlet
4. Belly Tank Vent
5. Dash Pod and Console
6. Hydro-Gate™ Control and SportShift
7. Automatic Bilge Panel
8. Built-in Trash Receptacle Holder/Tower Step
9. Storage
10. Anchor Light Receptacle (not included with Flight Control Tower® option)
11. Fuel Tank Fill
12. Starboard Ballast Tank Vent
13. Engine Cooling Water Intake Strainer
14. Storage Hatch Latch
15. Storage Trunk/Anchor Light Storage
16. Rudder Shaft Remote Lube Fitting
17. Boarding Platform
18. Retractable Stern Lifting Ring/Transom Seating Area
19. Storage Tray Rear Access Hatch
20. Storage Tray
21. Storage Tray/Engine Cover Latch
22. Engine Cooling Water Intake Shut-off Valve
23. Starboard and Port Ballast Tank Water Intake/Drain Valves
24. Watersports Tow Point
25. Port Ballast Tank Vent
26. Fuel Tank Vent
27. Flight Control Tower® Watersports Tow Point
28. Built-in Cooler/Storage/Tower Step
29. Flight Control Tower®
30. Operator's Pedestal Seat Adjustment
31. Belly Tank Water Intake/Drain Valve
32. Love/Observer's Seat/Storage Access/Removable Cooler
33. Flight Control Tower® Anchor Light
34. Glove Box/Stereo/iPod™/MP3 Port/12V Port
35. Bow Lifting Ring

The primary battery is located in the port, aft, cockpit storage compartment, in front of the aft jump seat, below the seat. The optional secondary battery is located opposite of the primary battery. The optional battery selector switch is located next to the primary battery.



## 226 Deck Layout



CORC088

**226**

## **Description**

1. Bow Navigation Light
2. Bow Lifting Ring
3. 12V Port
4. Optional Table Mount
5. Bilge Pump Outlet
6. Belly Tank Vent
7. Dash Pod and Console
8. Battery Mounting Box\*
9. Anchor Light Receptacle
10. Fuel Tank Fill
11. Starboard Ballast Tank Vent
12. Engine Cooling Water Intake Strainer
13. Battery Selector Switch
14. Storage Hatch Latch
15. Storage Trunk/Anchor Light Storage
16. Engine Cover Latch
17. Retractable Stern Lifting Ring
18. Boarding Platform
19. Rudder Shaft Remote Lube Fitting
20. Engine Cooling Water Intake Shutoff Valve
21. Starboard and Port Ballast Tank Water Intake/Drain Valve
22. Storage
23. Port Ballast Tank Vent
24. Fuel Tank Vent
25. Watersports Tow Point
26. Cooler w/removable Tray
27. Love Seat/Storage Access
28. Operator's Pedestal Seat Adjustment
29. Belly Tank Water Intake/Drain Valve
30. Glove Box/Stereo/iPod™/MP3 Port/12V Port
31. Flight Control Tower® - not shown

\*One battery is located under the stern seat cushion and the other battery under the step in the transom walk-thru area. Remove the snap-on carpet from the step to expose the batteries.

**226**

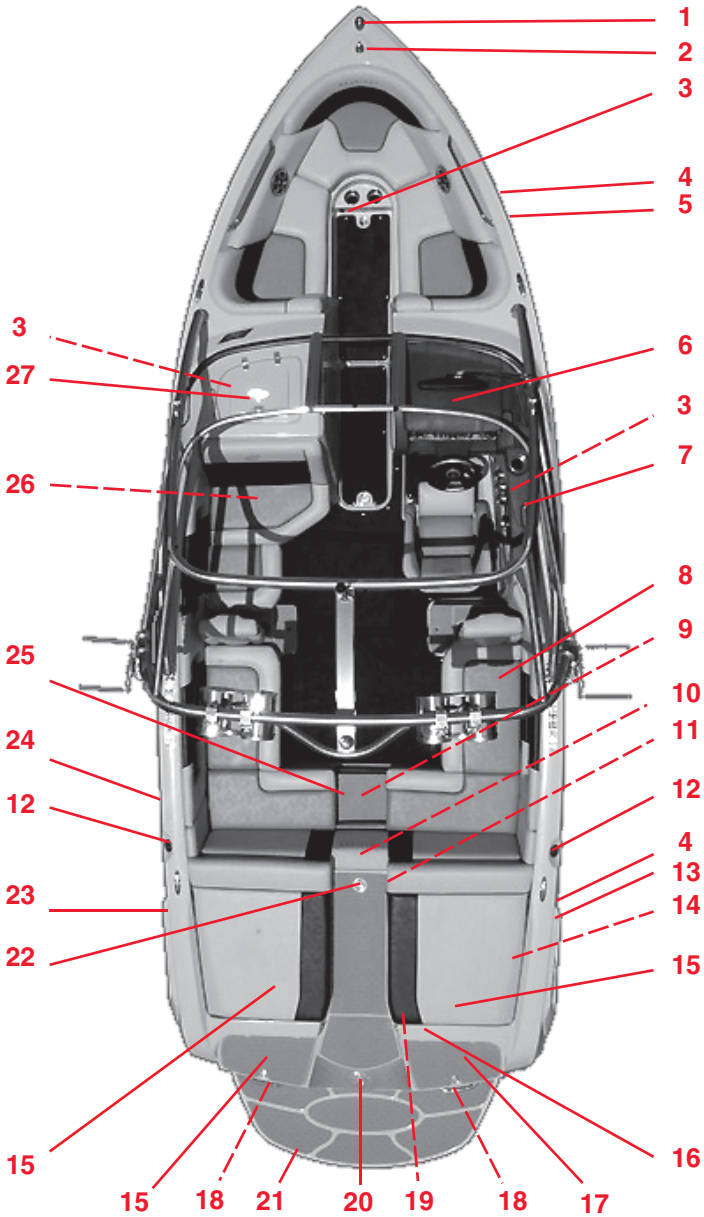




# Section 3

**NEPTUNE**

## 236 Deck Layout



CORC



**236**

## **Description**

1. Bow Navigation Light
2. Bow Lifting Ring
3. 12V Port
4. Bilge Pump Outlet
5. Belly Ballast Tank Vent
6. Dash Pod and Console
7. Sport Shift
8. Removable Cooler
9. Engine Cooling Water Intake Shutoff Valve
10. Engine Cooling Water Intake Strainer
11. Battery
12. Fuel Tank Fill
13. Starboard Ballast Tank Vent
14. Battery Cell Switch
15. Trunk Storage Access
16. Anchor Light Receptacle
17. Aft Built-In Cooler
18. Transom Lifting Eyes
19. Rudder Shaft Remote Lube Fitting
20. Pop-Up Water Sports Tow Point
21. Boarding Platform
22. Engine Cover Latch
23. Port Ballast Tank Vent
24. Fuel Tank Vent
25. Starboard and Port Ballast Tank Water Intake Drain Valves
26. Love Seat/Storage Access
27. Glove Box/Stereo/iPod™/MP3 Port/12V Port

**236**





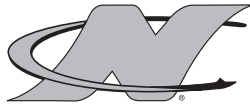
# Standard and Optional Equipment

Correct Craft boats are equipped with only the finest standard and optional equipment available. Your boat's equipment will vary, based on how your boat was built. Many options can only be installed during the manufacturing of the boat and cannot be retro-fitted to boats in the field.

Not all of the standard or optional equipment's use, safety and maintenance information can be covered in this manual. You will find most of the standard and optional equipment in this manual in the section pertaining to its use and function in **Section 4**. Make sure you read and understand this manual and all the other manufacturer's literature provided in your Skipper's Kit to maximize the benefits and uses this equipment has to offer.

If you have any questions regarding the use of any equipment on your Correct Craft boat, contact your Correct Craft dealer.





## Section 4

# Controls and Indicators

Knowing the systems, controls and indicators on your boat is essential for safe and proper operation.

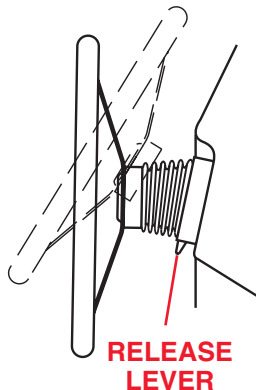


### **WARNING**

**Improperly maintained controls are hazardous and may cause sudden loss of control. Make sure all steering and shift / throttle hardware, cables and fluid levels are regularly inspected and maintained. Improper maintenance may result in a loss of control, possibly causing serious injury or death.**

## Steering

The steering system in your Correct Craft boat provides excellent maneuvering performance for pleasure boating or during water sports. Boat steering is not self-centering. Always keep a secure grip on the steering wheel to maintain full boat control. The steering wheel is equipped with a tilt lever to adjust the wheel angle to a comfortable operating position when the boat is not moving.



CORC133

## Section 4

---

The helm transfers rotary motion of the steering wheel to linear motion in the cable which pushes or pulls the rudder. Nautique rudders are equipped with an adjustable trim tab under license from Z-Marine (U.S. patent 5,746,147) to compensate for the torque generated by the propeller.

Maintenance for the steering system is minimal because there are few serviceable parts. The rack and pinion for the system is lubricated and sealed during manufacturing. It is the responsibility of the owner/operator to inspect the steering system frequently.

If you experience difficulty in steering, refer to Section 8 - Care and Maintenance.



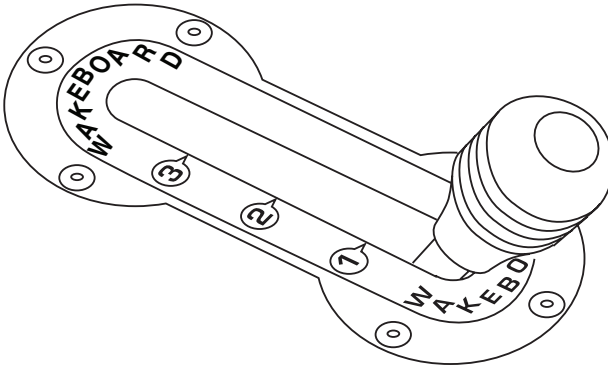
### **WARNING**

**Hazard from improper maintenance of the controls can cause death or serious injury from sudden loss of control. DO NOT operate your boat if you suspect the steering system or control are malfunctioning.**

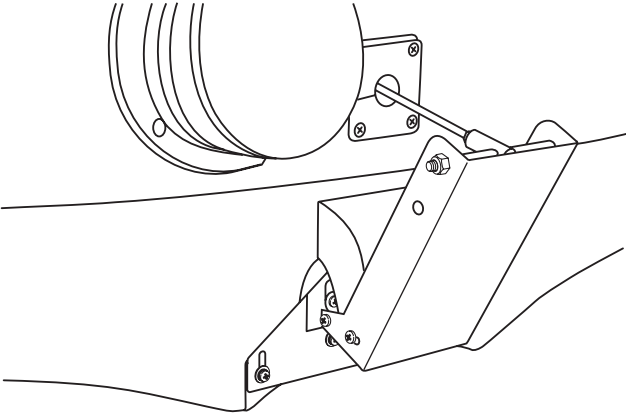
## **Hydro-Gate™ Control and SportShift-210, 211, 220 and 236 Only**

The Hydro-Gate is engaged by moving the SportShift lever located at the helm's starboard side fore and disengaged by moving the lever aft. When the SportShift lever is pushed forward, the Hydro-Gate is engaged, creating maximum lift for a wake with a well-defined crest and shallower ramp. When the SportShift lever is pushed aft, the Hydro-Gate is disengaged (raised), allowing your boat to sit deeper in the water, creating the maximum wake with a steep ramp. The SportShift lever can be placed in any position to create your ultimate wake. When used in conjunction with the Launch Control System, the SportShift and the Hydro-Gate can be used to create a wide variety of wakes to meet your style and need. The SportShift and Hydro-Gate can be used at any speed or at rest.

# Controls and Indicators



CORC142B



CORC143

WAKEBOARD

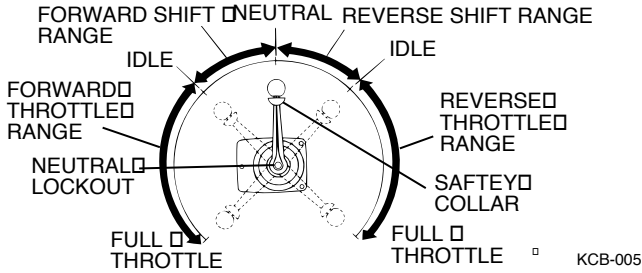


## Shifter/Throttle

**WARNING** Hazard from replacing your shift/ throttle control without a start-in-gear protection system can cause death or serious injury, DO NOT replace the control with a control that does not have this feature.

Your Correct Craft boat is equipped with a Shifter/Throttle Control Handle which features a start-in-gear protection to prevent the boat from moving when started.

A single-lever control with neutral warm-up button and safety lock-out umbrella operates as both a gear shifter and a throttle control. When the throttle lever is vertical, it is locked in the NEUTRAL position for safety. Be sure the control is in NEUTRAL before attempting to start the engine. Lifting the safety lock-out umbrella and moving the throttle lever forward will engage FORWARD gear in the transmission and increase the engine RPM. Moving the throttle lever backward will engage REVERSE gear in the transmission and also increase the engine RPM.



**CAUTION** DO NOT shift too quickly from FORWARD to REVERSE. Stay in NEUTRAL, or idle position until the boat has lost most of its headway before completing the shift to REVERSE or engine / transmission damage may occur.

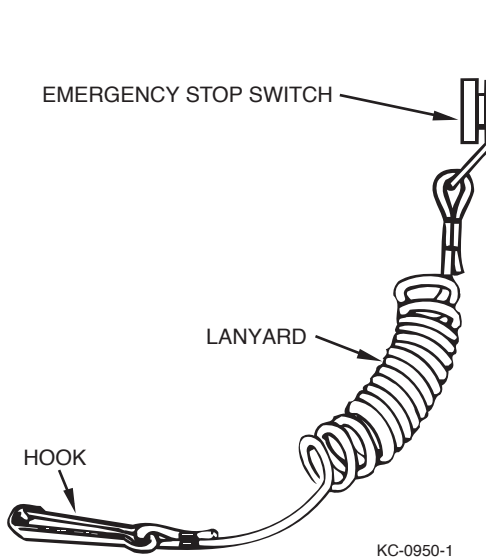


## Emergency Stop Switch

The emergency stop switch will stop the engine when the lanyard is pulled far enough to disengage it from the switch. Attach the lanyard to the boat operator whenever the engine is running but be aware there will be a loss of engine power if the switch is activated. If the operator is thrown from the seat, or moves too far from the helm, the lanyard will become disconnected from the switch, shutting off the engine. Refer to Section 1 for more information.

### CAUTION

**DO NOT** allow your boat to be operated without the proper use of the emergency stop switch and lanyard.



To attach a lanyard, connect the clip to the emergency stop switch and the hook to a strong piece of clothing on the operator, such as a belt loop.

### NOTICE

*The engine will not start unless the emergency stop switch is attached.*







### WARNING

Hazard from improper use of the emergency stop switch can cause death or serious injury. The emergency stop switch is designed to stop the boat if the operator is accidentally thrown from the helm. Attach the lanyard to the operator before starting the engine.

The emergency stop switch can only be effective when it is in good working condition.

Observe the following:

- DO NOT remove or modify an emergency stop switch and/or its lanyard.
- The lanyard must be free from obstructions that could interfere with its operation.

Once a month: Check the emergency stop switch for proper operation. With the engine running, pull lanyard. If the engine does not stop, see your Correct Craft Dealer for service of the switch.

## Signature Dash Pod-210, 211

### Gauges

- **Volts** - Indicates the condition of the engine's cranking battery in volts DC. With the ignition switch on and the engine not running, a reading above 12.5 volts indicates a fully charged battery. With the engine running at idle, the gauge should read between 12.5 and 13 volts. With the engine running at cruising speeds and above, it should show 13 to 14.5 volts. Have your Correct Craft Dealer check the charging system if the voltmeter reads outside these normal ranges.

# Controls and Indicators

- **Temp** - Indicates the engine coolant temperature. Refer to the engine manual for normal operating temperature. After starting the engine, check your temperature gauge for abnormally high readings. If the reading is outside the manufacturer's operating range, immediately turn OFF the engine. An abnormally high temperature indicates a cooling system problem. Consult your Correct Craft dealer when experiencing a high engine temperature reading.
- **Oil Pressure** - Measures the pressure of the engine's lubricating oil. Refer to the engine manual for normal operating pressure. Many serious engine problems are reflected on oil pressure gauge readings. If the pressure is lower than the manufacturer's specification, immediately turn OFF the engine. Contact your Correct Craft Dealer to correct the problem before operating the engine.
- **Tachometer / Hour Meter** - Registers engine speed in revolutions per minute (RPM). Use the tachometer to keep the engine within the proper operating range. Consult the engine manual for the proper RPM operating range of your engine. The hour meter LCD display registers accumulated engine operating time. Time will not be logged unless the ignition switch is on and the engine is running. Use the hour meter to keep accurate logs for scheduled maintenance.
- **Speedometer** - Your Nautique is equipped with a precision speedometer by Faria. This gauge registers forward speed in miles per hour (optional kilometers per hour). The speedometer is equipped with an adjustment knob to calibrate speedometer accuracy. You can also use this gauge to monitor fuel consumption and propeller performance.
- **Engine Warning Light** - Indicates high engine temperature. If light illuminates, stop engine and investigate for cause.

2007-2008



## Section 4



### Speedometer Calibration

The speedometer calibration control knob is located on the under side of the deck beneath the dash pod above the driver's right knee. Drive the boat at a known speed using a GPS or measured course and adjust the knob until the speedometer is reading correctly. Turning the knob one direction will raise the needle reading while turning it in the other direction will lower the reading.

### Control Switches

Each electrical circuit on your boat is equipped with a control switch. The switches have an indicator light for easy ON/OFF identification. All switches are fuse protected.



#### Engine Compartment/Bilge Area Blower

The "BLOWER" switch activates the engine compartment ventilation blower to remove explosive fumes from the area. The blower is turned on by pressing and releasing the "BLOWER" switch. Press again to turn off. The blower must be operated for a minimum of four minutes each time before starting the engines or generator. In addition, the blower should be operated continuously when at idle or running at slow speeds.



#### **WARNING**

**Explosion and fire hazard from gasoline vapors can cause death or serious injury from failure to check for fumes in the engine compartment or operating the blower. Before engine start-up, check engine compartment for gasoline vapors, then operate blower for at least four minutes. Operate blower whenever below planing speed.**



# Controls and Indicators



## Navigation Lights

The “NAV/ANCHOR” switch controls the navigation lights. The law requires the bow light and the 360 degree light (located near the stern) be turned on while running the boat after sunset or before dawn. NAV position will turn on the red and green navigation bow lights, 360 degree white stern light and gauge illumination.



### **WARNING**

**Blocking navigation lights can cause death or serious injury. DO NOT block the navigation lights.**



## Anchor Light

The “NAV/ANCHOR” switch turns on the 360 degree light. Insert this light pole into the receptacle located near the stern and push the anchor switch on the pod to turn this light on. This light is required by law to be on after sunset and before dawn when the boat is not moving.



## Bilge Pump

The “BILGE” switch turns on the bilge pump to remove excess water from the bottom of the boat. The 196 has a bilge pump in front of the engine. The 206 and 216 have an additional bilge pump at the back of the boat. When you turn the switch on, the pump(s) will operate and run for several moments to “sense” if there is water in the bilge. If there is water in the bilge, the pump(s) remains on until the water is pumped out. If there is no water in the bilge, the pump(s) will turn off. If you want immediate pump action, turn the switch off and then back on again. The pump(s) will turn on periodically to determine if there is water in the bilge. If so, they will remain on until the water is pumped out.

2007-2010  
2011-2012  
2013-2014  
2015-2016  
2017-2018  
2019-2020



## Section 4

---



The bilge switch must be turned on for this feature to operate. This will not drain significant power from the battery unless the bilge pump(s) is required to run frequently because of a leak or excessive rainwater. This pumping system should not be relied on over an extended period of time. Frequently inspect your boat for evidence of excessive water in the bilge area. Consult your Correct Craft dealer if you have any questions.

### NOTICE

*Trash in bilge area can damage the bilge pumps.*

### Horn

The “HORN” button is a momentary switch. The horn will operate whenever the button is pressed and will stop when the button is released.

### Engine Warning Light

This light indicates low engine oil pressure. The light should come on when the ignition switch is in the ON position and the engine is not running. If it stays on or comes on while you are operating the boat, the light is indicating a problem. Turn the engine OFF. Refer to the engine manual for additional information.

### Heater Switch-Optional

The optional heater switch operates the fan to deliver heat. The switch is a four position switch; OFF, LOW, MEDIUM and HIGH.

### 12-Volt Port

This receptacle can be used to power and charge cellular phones, MP3 players, video cameras or other electronics. These receptacles are powered through a 10-amp breaker.



## Ignition Keyswitch

This keyswitch starts and stops the engine. A built-in protection system prevents the engine from starting in any gear other than NEUTRAL. Refer to Shifter/Throttle in this section and consult the engine operator's manual for more information.

There is an accessory position on the ignition keyswitch and an associated terminal on the back of the switch provided to control power to add on accessories. Even though power to this terminal is protected by a 20-amp fuse, do not connect any accessory that draws more than 10 amps. Attaching an accessory to this terminal should only be done by a qualified technician.

### CAUTION

The keypad and switch control box will be damaged beyond repair if the boat's battery cables, the main switch control box power leads or battery charger leads are reversed. DO NOT reverse these connections.

## Smart Pod – Limited or Team

### Gauges

- **Volts** - Indicates the condition of the engine's cranking battery in volts DC. With the ignition switch on and the engine not running, a reading above 12.5 volts indicates a fully charged battery. With the engine running at idle, the gauge should read between 12.5 and 13 volts. With the engine running at cruising speeds and above, it should show 13 to 14.5 volts. Have your Correct Craft Dealer check the charging system if the voltmeter reads outside these normal ranges.
- **Temp** - Indicates the engine coolant temperature. Refer to the engine manual for normal operating temperature. After starting the engine, check your temperature gauge for abnormally high readings. If the reading is outside the manufacturer's operating range, immediately turn OFF the engine. An abnormally high temperature indicates a cooling system problem. Consult your Correct Craft dealer when experiencing a high engine temperature reading.



## Section 4

---



- **Oil Pressure** - Measures the pressure of the engine's lubricating oil. Refer to the engine manual for normal operating pressure. Many serious engine problems are reflected on oil pressure gauge readings. If the pressure is lower than the manufacturer's specification, immediately turn OFF the engine. Contact your Correct Craft Dealer to correct the problem before operating the engine.
- **Tachometer/Hour Meter** - Registers engine speed in revolutions per minute (RPM). Use the tachometer to keep the engine within the proper operating range. Consult the engine manual for the proper RPM operating range of your engine. The hour meter LCD display registers accumulated engine operating time. Time will not be logged unless the ignition switch is on and the engine is running. Use the hour meter to keep accurate logs for scheduled maintenance.
- **Speedometer** - Your Nautique is equipped with a precision speedometer by Faria. This gauge registers forward speed in miles per hour (optional kilometers per hour). The speedometer is equipped with an adjustment knob to calibrate speedometer accuracy. You can also use this gauge to monitor fuel consumption and propeller performance.
- **Engine Warning Light** - Indicates high engine temperature. If light illuminates, stop engine and investigate for cause.
- **V-Drive Warning Light** - Indicates low oil pressure in V-Drive. If light illuminates when the engine is in gear and above 1200 rpm, stop engine and check V-Drive oil level.

### Control Switches

Each electrical circuit on your boat is equipped with a control switch. The switches have an indicator light for easy ON/OFF identification. All switches are protected by circuit breakers.



#### **Belly, Port, Starboard Ballast**

These buttons fill and drain the ballast tank designated to the switch. Ballast tanks are an option on most Correct Craft boats. A full description of how these buttons function is discussed in **Section 4, Ballast Tank Control Switches**.



# Controls and Indicators



This 12-Volt button controls an accessory which has been added to your boat or provides a circuit to add an accessory. The indicator light will illuminate when the switch is in the ON position. Limit the accessory to 10 amps.



## Heater Fan (if equipped)

The heater button controls four different heater functions.

Pressing and releasing the “heater” button turns on Low Speed.

Press again for Medium Speed.

Press again for High Speed.

Press again for Off.

The indicator light for this button will illuminate if the heater is running at any of the three speeds.



## Courtesy/Docking Lights

Press and release for courtesy lights, press and hold from this position to turn docking lights on with courtesy lights. To turn the courtesy lights and the docking lights off, press and release. Docking lights only: from the OFF position, press and hold until the docking lights are on and release, to turn off, press and release.

### NOTICE

*If either or both of the two light functions are on, the indicator light will illuminate and a press and release will turn off any of the lights that are on.*





## Section 4



### Engine Compartment/Bilge Area Blower

The blower switch activates the engine compartment ventilation blower to remove explosive fumes from the area. The blower is turned on or off by pressing and releasing the button. The blower must be operated for a minimum of four minutes each time before starting the engines or generator. In addition, the blower should be operated continuously when at idle or running at slow speeds.



#### **WARNING**

**Explosion and fire hazard from gasoline vapors can cause death or serious injury from failure to check for fumes in the engine compartment or operating the blower. Before engine start-up, check engine compartment for gasoline vapors, then operate blower for at least four minutes. Operate blower whenever below planing speed.**



### Navigation/Anchor Light

A quick press and release of this button turns on the navigation lights, and the indicator light for this button will illuminate. A press and slight hold will only turn on the anchor light and cause the indicator light to flash. A press and release of the key turns off both of the lights.



#### **WARNING**

**Blocking navigation lights can cause death or serious injury. DO NOT block the navigation lights.**



## Bilge Pump

The bilge switch turns on the bilge pump to remove excess water from the bottom of the boat. The pump turns on or off by pressing and releasing the button. There is a bilge pump near the rudder and one in the front. When you turn the switch on, the pump(s) will operate and run for several moments to “sense” if there is water in the bilge. If there is water in the bilge, the pump(s) remains on until the water is pumped out. If there is no water in the bilge, the pump(s) will turn off. If you want immediate pump action, turn the switch off and then back on again. The pump(s) will turn on periodically to determine if there is water in the bilge. If so, they will remain on until the water is pumped out.

The bilge switch must be turned on for this feature to operate. This will not drain significant power from the battery unless the bilge pump(s) is required to run frequently because of a leak or excessive rainwater. This pumping system should not be relied on over an extended period of time. Frequently inspect your boat for evidence of excessive water in the bilge area. Consult your Correct Craft dealer if you have any questions.

### NOTICE

*Trash in bilge area can damage the bilge pumps.*



## Horn

The horn button is a momentary switch. The horn will operate whenever the button is pressed and will stop when the button is released.



## Section 4

### 12 Volt Port

This receptacle can be used to power and charge cellular phones, MP3 players, video cameras or other electronics. These receptacles are powered through a 10 amp breaker.

### Ignition and Switch Panel



CORC137

### NOTICE

*Some of the switches on your boat may not have a function, based*

### CAUTION

The keypad and switch control box will be damaged beyond repair if the boat's battery cables, the main switch control box power leads or battery charger leads are reversed. DO NOT reverse these connections.

*on the way the boat is equipped.*

### Keyless Ignition

The optional ignition switch system is keyless and has three modes of operation.

# Controls and Indicators

## Locked Mode

When the boat's battery is first connected, the unit is in locked mode. In this mode, only the horn, bilge pump, bilge blower and code keys operate.

## Unlocked Mode

Unlocked mode is entered after the user successfully enters the user code, presses and releases the start key. When the code keys are pressed, the system indicator light will turn ON while the key is pressed. This indicates the key has actually been pressed. When the system is unlocked, power is supplied to the boat and the system indicator light will turn ON. At this point all keypad keys will operate and actuating these keys will control the corresponding boat functions. To put the unit back in Locked Mode, the user must successfully enter the user code, then press the STOP key. This will turn off the system indicator light and shut off power to all of the accessories except the horn, bilge pump, bilge blower and code keys.

## Run Mode

Enter the Unlocked Mode.

Pressing and releasing the START key quickly will put the unit in Run Mode. Power is supplied to the engine ignition, but the engine will not crank and the ignition indicator light is turned ON. If the start key is not pressed again within 15 minutes, the unit will exit Run Mode by shutting off power to the ignition and re-enter the Unlocked Mode. If the user presses and holds the START key, power is supplied to the ignition and starter for as long as the user presses the START key. All accessory keys will operate in this mode. Pressing the STOP key will shut off the engine and the unit is then put back in the Unlocked Mode.

After the engine starts, release the START key.

### **CAUTION**

**DO NOT hold the START key for more than 30 seconds. The starter motor can be damaged.**



## Section 4

---



### **Automatic Return to Locked Mode**

If no keypad activity takes place for 10 hours after unlocking, the system will automatically return to the Locked Mode to help prevent battery drain.

### **Automatic Back-lighting**

Pressing any keypad key will automatically turn the keypad back-lighting on for 10 seconds. This feature is useful for finding the keypad at night.

### **Multiple Keyless Ignition Codes**

The keyless ignition system has provisions for three different ignition codes. Any of the three codes may be used to unlock or lock the system.

The “Master Embedded Code” is programmed into the system at Correct Craft Inc. It is not changeable and remains with the boat for its life. This code can be used to unlock the system, to lock the system and to erase the two user codes.

The “Primary User Code” is programmed into the system by the owner with the Correct Craft Dealer’s help at the time of boat delivery. This code is used to unlock the system, to lock the system and to add or change the “Secondary User Code.”

The “Secondary User Code” is programmed into the system by the owner when necessary. This code is only used to unlock or lock the system. The “Secondary User Code” is ideal to limit access to the boat.

### **NOTICE**

*To help prevent battery drain, make sure you STOP the engine and LOCK the PME ignition system (two steps) when you are finished using the boat.*



# Controls and Indicators

---

## NOTICE

*The “System Indicator Light” is on the right side of the ignition keypad. The “Ignition Indicator Light” is on the left side of the ignition keypad.*

## Programming the Primary User Code

### NOTICE

*Until a Primary User Code is set, the keyless ignition does not require the entry of a code to unlock the system or start the engine. This system operates as follows:*

1. Press START to unlock the system.
2. Press it a second time to start the engine.
3. Press STOP to turn off the engine.
4. Press it a second time to lock the system. The system indicator light should be OFF.

To program the Primary User Code, make sure the system indicator light is off, then press and release the 1/2 key and the 7/8 key at the same time to put the system in the Code Programming Mode. The system indicator light will flash.

Enter a code from two to eight characters and press START. For verification, re-enter the code and press START again. The system indicator light should stop flashing and stay ON. If the light does not stop flashing, press STOP and begin again.

To lock the system, re-enter either the Primary User Code or the Master Embedded Code and press STOP.



# Section 4

---



## Changing the Primary User Code

### NOTICE

*The current primary code must be used to change to another primary code.*

Make sure the system indicator light is OFF.

1. Enter the Primary User Code, then press and release the 1/2 key and the 7/8 key at the same time to put the system in the code programming mode. The system indicator light will flash.
2. Enter a code from two to eight characters and press START. For verification, re-enter the code and press START again. The system indicator light should stop flashing and stay ON. If the light does not stop flashing, press STOP and begin again.

To lock the system, re-enter either the new Primary User Code or the Master Embedded Code and press STOP.

### NOTICE

*Changing the primary code will erase the Secondary User Code.*

## Programming or Changing the Secondary User Code

### NOTICE

*The Secondary User Code will only lock or unlock the system and can not be used for any reprogramming*

Make sure the system indicator light is OFF.

1. Enter the primary user code, press and release the 1/2 key and the 5/6 key at the same time to put the system in Code Programming Mode. The system indicator light will flash.
2. Enter a code from two to eight characters and press START. For verification, re-enter the code and press START again. The system indicator light should stop flashing and stay ON. If the light does not stop flashing, press STOP and begin again.

To lock the system, re-enter any of the three codes and press STOP.



# Controls and Indicators

## Erasing the User Codes

Make sure the system indicator light is OFF.

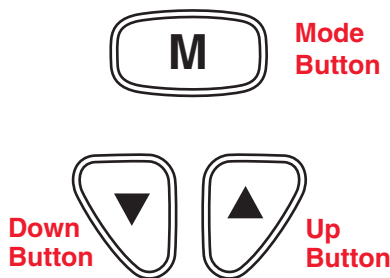
Enter the Master Embedded Code, press and release the 1/2 key and the 7/8 key at the same time to erase the system user codes.

The keyless ignition will now act as if there are no codes in memory. Pressing the START key will unlock the system and pressing the STOP key will lock it without entering a code. Follow the steps in “Programming The Primary User Code” in this section.

## Gauges

The optional dash pod uses the Faria® Serial Bus™ system which receives information from the engine ECU and various individual sensors throughout the boat. This information is transformed into digital data, which is distributed to analog and digital instruments via a single cable consisting of two shielded, twisted pairs of conductors.

Each instrument selects the data, which applies and displays it as if it was received from the sender directly. One of the two pairs of conductors carries the data while the other pair of conductors carries the power for the instruments. The tachometer and speedometer each have three pushbuttons, which allow the different functions of each instrument to be activated.



CORC113

2007-2010



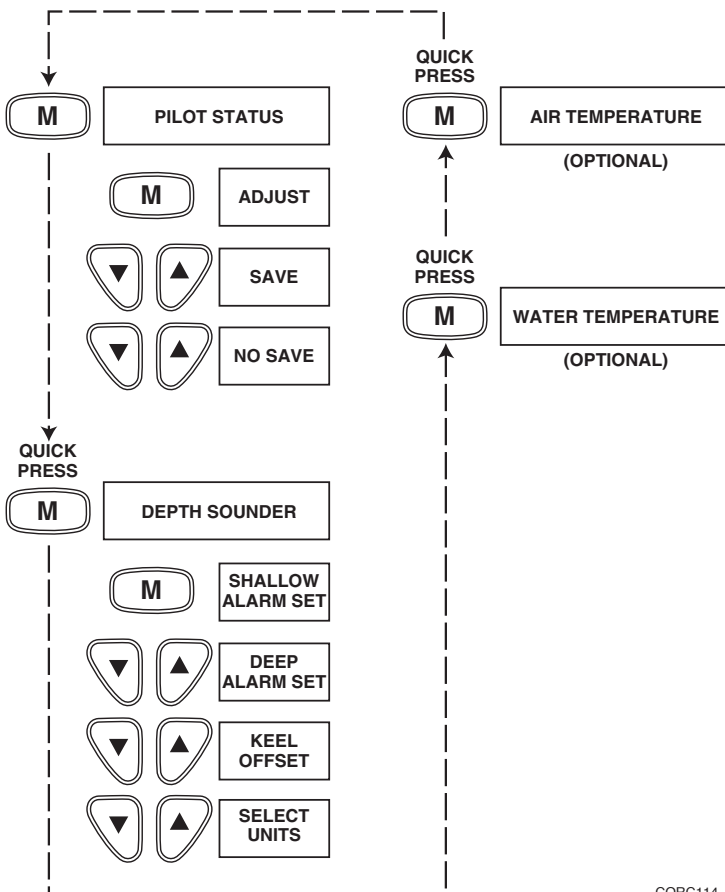


# Section 4

Refer to Standard Dash Pod in this section for additional information on gauge operation.

## Speedometer/Depth Sounder

The Serial Bus Speedometer/Depth Sounder provides both the functions of a speedometer and a depth sounder. The analog speedometer looks like a standard analog device but is actually a digital instrument. On small pointer movements you may occasionally see the pointer moving in the one-third degree "steps" that represent the accuracy of the instrument.



CORC114



# Controls and Indicators

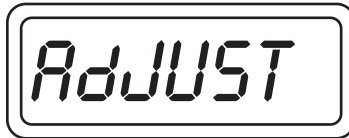
## Speedometer Function

The speedometer measures speed over the water using a paddle wheel sensor.

## Speedometer Calibration

The analog speedometer displays the speed of the boat through the water. The speedometer is calibrated at the factory however, significant variations can occur due to changes in installations. The speedometer can be easily calibrated to a known reference such as a radar gun, measured course, or GPS.

When the unit is in digital speed display mode, push and release **M** to put the speedometer in the calibration mode. Push and hold **M** down for at least two seconds, the LCD will show “AdJUST.”



Calibration Display

CORC117

Run the boat at a constant 30 MPH as measured by the GPS, radar, or closed course. Adjust the speedometer pointer by pressing ▲ and ▼ until the speedometer matches the known speed.

When finished, press **M** to exit the adjustment screen. The operator has the option of saving or canceling the adjustment procedure. The options can be selected using ▲ and ▼. To save the calibration setting, press and hold **M** for two seconds when the display shows “SAVE.”



Save Display

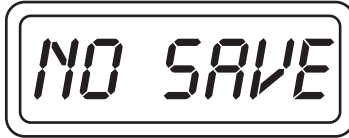
CORC118



## Section 4

---

To exit the adjustment procedure without saving, press and hold **M** for two seconds when the display shows “NO SAVE.” Multiple runs in opposite directions may be necessary to compensate for errors due to water currents.



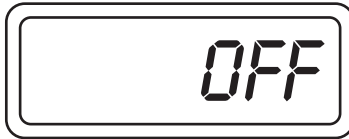
No Save Display

CORC119

### Depth Sounder Function

To display depth information on the LCD push and release the **M** until the display shows the depth. The depth sounder is turned on and off with the ignition switch. The depth sounder can also be turned off at any time, while in depth display mode, by pressing and holding **M** while the depth sounder counts down a three second delay.

The depth display will then indicate “OFF.”

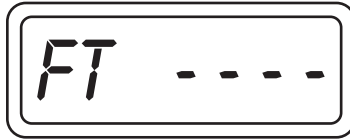


Off Display

CORC120

Press and hold the **M** to turn the depth sounder back on.

When there are no alarm conditions, the water depth is displayed. If the signal is weak or lost, or there is no transducer connected, the display will alternate between the last known depth and four horizontal bars.



Depth Display

CORC121

## Canceling Depth Alarms

A depth alarm warning can be temporarily canceled by pressing both ▲ and ▼ on the speedometer, simultaneously. After one minute, the alarm will resume if the condition that caused the alarm is not corrected. The operator can cancel the alarm as many times as necessary, until the condition is corrected.

The depth alarm warning will replace any information on the LCD screen. Canceling the alarm will restore the LCD to the original display. If not already in the depth mode, this would be a good time to switch to it (using **M**) in order to monitor water depth.

## Depth Sounder Alarm Settings

### NOTICE

*The speedometer display must be in the depth display mode to change settings. Use the **M** to scroll to the depth display.*

To change the depth sounder alarm settings **M** must be held down until the depth display changes to the alarm settings mode.

There are four menus in the alarm settings mode. Pressing and releasing the mode switch quickly will cycle through the different options.

## Shallow Alarm

This alarm sounds when the water depth equals or is less than the set value.

The display will show “S X.X” which is the current setting for the



## Section 4

shallow alarm. Pressing ▲ and ▼ will change the shallow setting.



Shallow Display

CORC122

Holding **M** in for two seconds will save the new shallow setting and change the display back to the normal depth mode. Set to zero to disable the alarm.

### Deep Alarm

This alarm sounds when the water depth equals or is greater than the set value.

The display will show “d XX.X” which is the current setting for the deep alarm.



Deep Display

CORC123

Pressing ▲ and ▼ will change the deep setting.

Holding **M** in for two seconds will save the new deep setting and change the display back to the normal depth mode. Set to zero to disable alarm.

### Keel Offset

Adjust depth sounder to measure depth below keel or drive instead of sensor.

The display will show “K X.X” which is the current setting for the





# Controls and Indicators

## Engine Hour Meter

Displays the number of hours the engine has been operated. The display will show “XXXX.XHr.” Engine hours only accumulate when the engine is running.



Hourmeter Display

CORC126

## Hours Remaining

The “time remaining” display shows the approximate number of hours the boat can operate based on the fuel remaining in the tank and the current fuel usage rate. The display will show “XXXX.XHrL.”

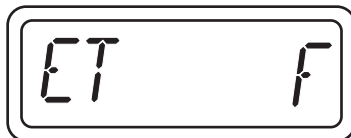


Hours Remaining Display

CORC127

## Engine Temperature

Displays the Coolant Temperature of the Engine. There are no adjustments available.



CORC205

2  
3  
4  
5  
6  
7  
8  
9  
10  
11  
12  
13  
14  
15  
16  
17  
18  
19  
20  
21  
22  
23  
24  
25  
26  
27  
28  
29  
30  
31  
32  
33  
34  
35  
36  
37  
38  
39  
40  
41  
42  
43  
44  
45  
46  
47  
48  
49  
50





# Section 4

---

W  
R  
I  
T  
E  
R  
S

## Voltmeter

Displays the System Voltage. There are no adjustments available.



Voltmeter Display

CORC129

## Oil Pressure

Displays the current Oil Pressure. There are no adjustments available.



Oil Pressure Display

CORC130

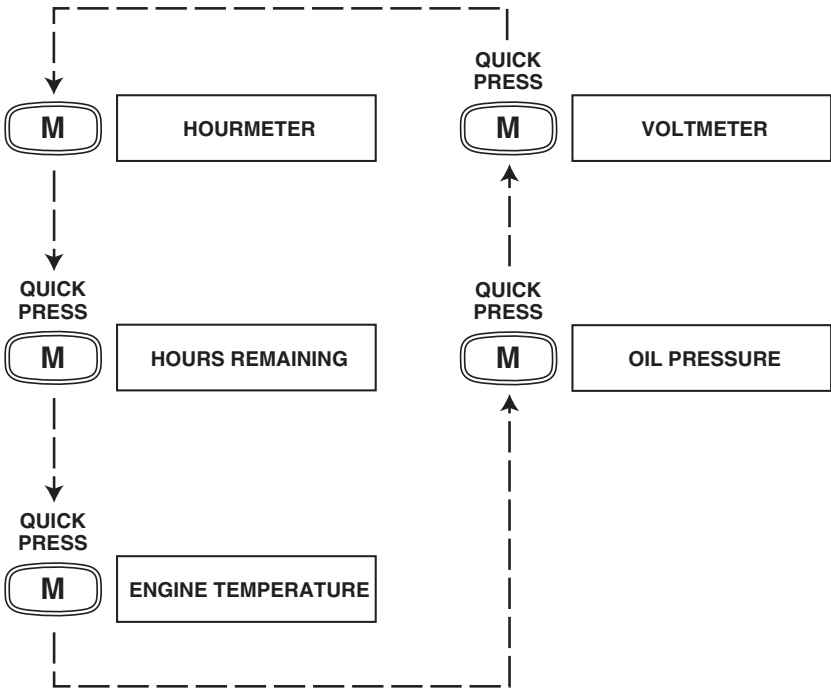
## Instrument Lights

The navigation light switch must be on for the instrument lights to function. The ▲ and ▼ on the tachometer control the instrument lighting intensity.

Press ▲ to increase the light intensity. Press ▼ to decrease the light intensity.

# Controls and Indicators

## Tachometer Display Sequence



CORC131

## LCD Alarm Condition Displays

Alarm messages will be displayed on the Tachometer LCD display. All messages will be displayed until either the problem is corrected or the operator manually cancels the warning message.

Messages will display as many screens shown sequentially.

## Canceling System Alarms

To manually cancel system warning messages, simultaneously press both ▲ and ▼ on the tachometer. This will disable the warning message temporarily. If the problem is not corrected in one minute (five minutes for low fuel), the warning will be displayed again. The operator can cancel as often as needed.

2  
3  
4  
5  
6  
7  
8  
9  
10  
11  
12



# Section 4



## Severe Conditions – Includes a Flashing Red Light

### WARNINGS

Low Battery Voltage (Flashing Red Light)



High Engine Temperature (Flashing Red Light)



Low Oil Pressure (Flashing Red Light)



Low Fuel Level (Flashing Red Light)



RPM Reduction in Progress (Flashing Red Light)



CORC132

Engine Speed Limiter Active



Knock Detection System Malfunction



Spark Delivery System Malfunction



Manifold Pressure System Malfunction



Manifold Air Temperature Sensor Malfunction



Throttle Position Sensor Malfunction



Coolant Temperature Sensor Malfunction



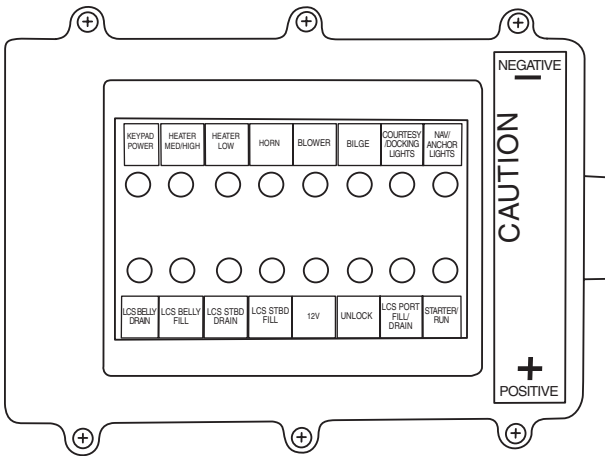
CORC134



# Controls and Indicators

## Dash Pod Circuit Breaker Box

All dash pod switches interface with a sealed circuit breaker box located in the driver's kickboard. The circuit breaker box consists of 16 soft, opaque, flexible vinyl tubular shields which cover 16 circuit breakers. When the circuits are functioning, the tubular shield is somewhat flexible. A tripped circuit breaker will extend and fill the tubular shield, causing it to be inflexible. To locate a tripped circuit breaker, run your fingers over the two rows of switches and locate the switch shield which has become inflexible. To re-set, press in the extended circuit switch shield.



CORC035

NAVIGATOR



# Standard Equipment

## Watersports Tow Point

The watersports tow-point (pylon) is manufactured from high strength aluminum alloy, engineered for durability. It is “hard coat anodized” and impregnated with a PTFE (teflon) material. If the pylon becomes loose, stop using the pylon and take the boat to your Correct Craft Dealer for service.



### WARNING

Misuse of the tow-point can cause death or serious injury. The pylon was designed for water skiing only. **DO NOT** use for parasailing, kite flying, towing other boats and / or using pylon extensions, sit behind (aft) the pylon when towing skiers.

### CAUTION

Although pylon extensions and barefoot booms have become popular additions to many tournament inboards, Correct Craft strongly objects and opposes the use of any pylon extension, whether up or to the side of any of its products. The use of pylon extensions can alter the handling characteristics of the boat, possibly resulting in dangerous instability, which could then lead to loss of control, a situation which could cause serious or fatal injury to the boat driver, passengers, skiers and anyone else who might be in the vicinity of such a mishap.

## CAUTION

Correct Craft DOES NOT approve of any structural changes, additions or modifications to our products. Any time a dealer or consumer makes a change to our product, they do so at their own risk and sole liability. Correct Craft, Inc. will not be held liable for unauthorized changes, whether deletions or additions, to the original equipment / product manufactured and sold by Correct Craft, Inc., even if such changes and additions are made by an "authorized" Correct Craft Dealer, customer, promotional representative or any other person, known or unknown to Correct Craft, Inc.

## Bow Features of Your Nautique

The open bow section of your boat has removable cushions. The center section may be equipped with an optional cushion which can be removed and stored in the trunk or under the love seat. The cushion on the starboard side of the bow section of the 226 can be removed to access the insulated cooler. Storage can be accessed by removing the other cushions.

226  
N  
A  
U  
T  
I  
Q  
U  
E



## Section 4

### Driver's Seat Adjustment

The driver's seat can be adjusted fore and aft and rotates side-to-side.

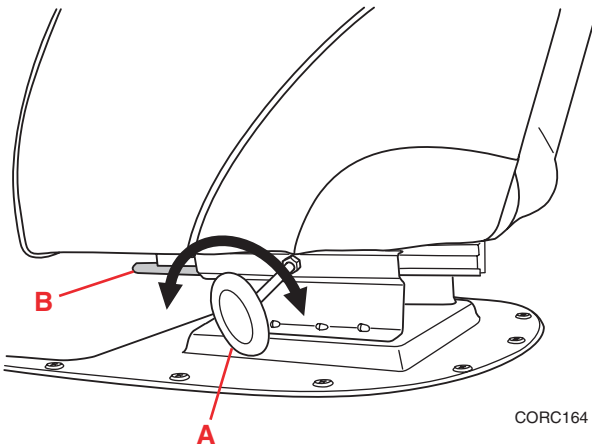
To slide seat, turn the handle (A) counterclockwise about one full turn, slide into position, and tighten the handle hand-tight to secure in locked position.

To rotate seat, pull up on the lever (B) at the front of the seat and push to the side. Release lever to lock the seat in position.



#### WARNING

A seat or seats which are not locked in position can cause death or serious injury. Lock the seat(s) in position (fore and aft) before operating the boat.

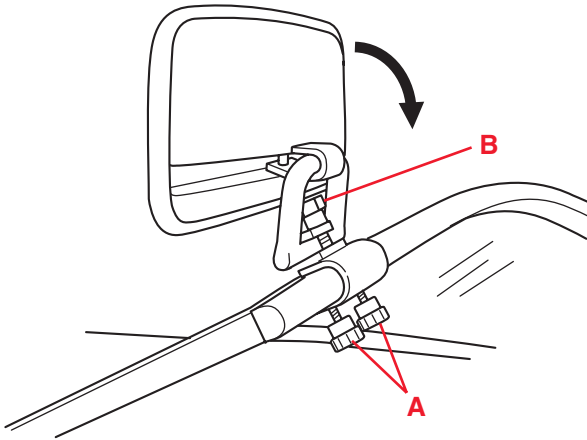


# Controls and Indicators

## Rearview Mirror Adjustment

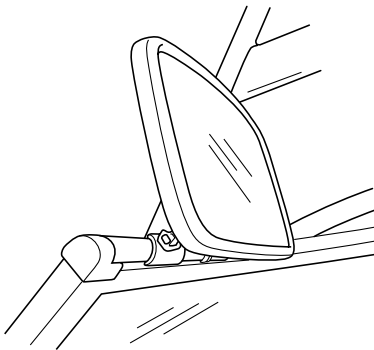
The rearview mirror can be positioned on the windshield to observe a skier and traffic behind you. The mirror should be lowered when trailering or when using a mooring cover. To reposition, loosen the thumbscrews (A), reposition and tighten thumb screws.

Use the mirror friction nut (B) to increase the friction of the mirror adjustment. If the mirror moves out of adjustment, increase the friction by turning the friction nut clockwise.

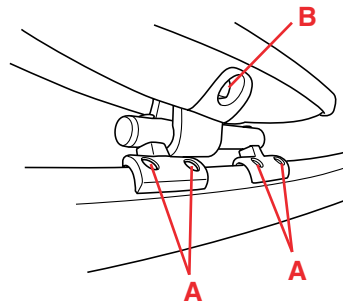


CORC165

210, 211, 220 and 236



226



CORC170

NEPTUNE





## Section 4

---

U  
P  
L  
O  
A  
D  
I  
N  
G  
I  
N  
S  
T  
R  
U  
C  
T  
I  
O  
N  
S

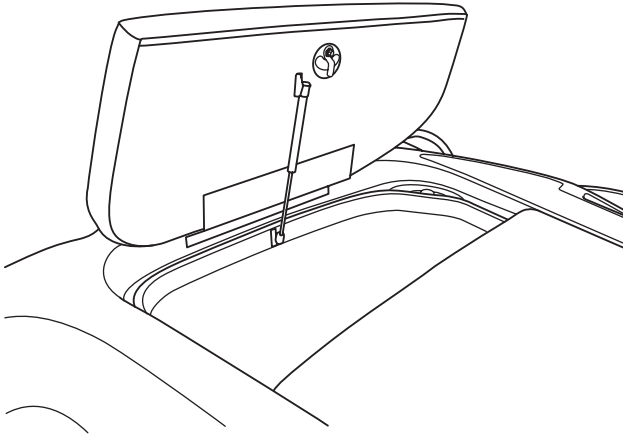
### Love Seat

Lift up on the bottom of the love seat cushion to access storage under the bow area. You can leave the seat in the “UP” position to help dry the carpet.

### Storage Hatch

To open the storage hatch, lift the latch and turn counterclockwise. The gas shock will help raise the hatch. To close and latch the hatch, pull down on the hatch and allow the hatch to close firmly. Make sure there are no hands, fingers or any other obstructions in the way of the hatch when you close it. To close the latch, turn the latch clockwise and fold the red dot down.

The storage hatch latch features a lock. Use the key to lock and unlock the latch. The key only requires about a 10° turn to lock and unlock.

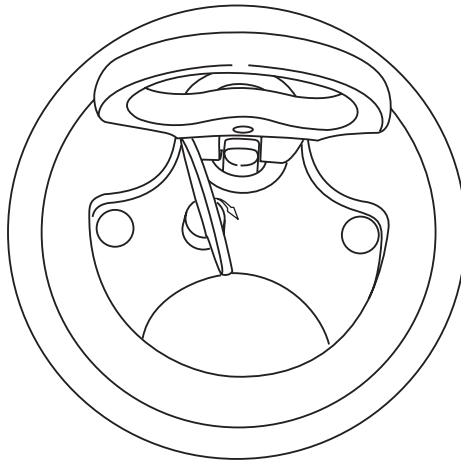


CORC146

## Engine Cover Hatch

To open the engine cover hatch, lift the latch and turn counterclockwise. The gas shock will help raise the hatch. To close and latch the hatch, pull down on the hatch and allow the hatch to close firmly. Make sure there are no hands, fingers or any other obstructions in the way of the hatch when you close it. To close the latch, turn the latch clockwise and fold the red dot down.

The engine cover hatch latch features a lock. Use the key to lock and unlock the latch. The key only requires about a 10° turn to lock and unlock.



COR036



### WARNING

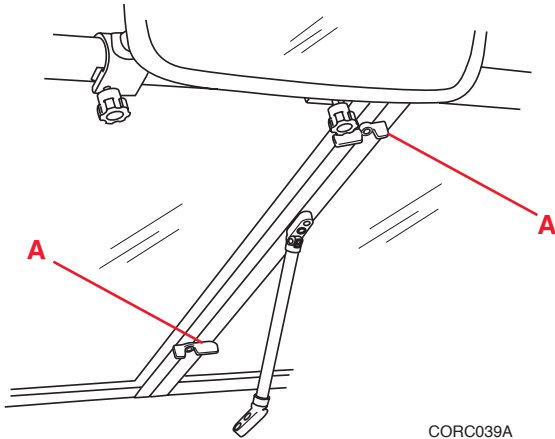
An engine guard which is not in place or contact with any moving parts can cause death or serious injury. The engine box cover is a machinery guard. **DO NOT** operate your boat without the cover closed and in place unless you are performing a check or maintenance. Keep your hands, clothing, hair and any other body parts away from any moving parts.

# Section 4

W  
A  
R  
N  
I  
N  
G

## Walk-Thru Windshield Opening/Latching

There are two latches on the inside starboard side of the walk-thru windshield. Rotate both of the window locks (A) to secure or unlock the window. Always have window closed and secured when trailering the boat.



**! WARNING** An open window can cause death or serious injury. Make sure both window locks are secure when vessel is in motion.

## Coolers

The floor coolers can be used to store miscellaneous items or drinks. There is a drain installed in the coolers. **DO NOT** depend on the coolers to keep valuables or electronics dry. Keep these items in a specialized dry bag. The floor cooler has a removable tray. **DO NOT** use abrasive cleaners or place in a dishwasher. Use a mild biodegradable soap only.

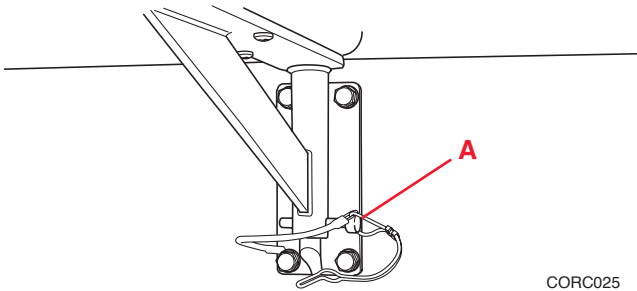


# Controls and Indicators

## Boarding Platform

The boarding platform of your boat is a convenient feature to enhance the water sports experience. There are serious safety concerns regarding the use of the platform. Correct Craft, Inc. has placed warning labels at the driver's position, on the deck at the rear of the occupant area and on the transom. Refer to Section 1, Safety, for more information.

To remove the boarding platform, pull the pins (A) located in the mounting brackets, under the platform and lift the platform vertically.



CORC025



### **WARNING**

**A spinning propeller or carbon monoxide can cause death or serious injury. DO NOT use the boarding platform when the engine is running or for any other purpose than boarding the boat or preparation for entering the water.**

The boarding platform must be attached when the boat is in use.

OPERATION



# Section 4

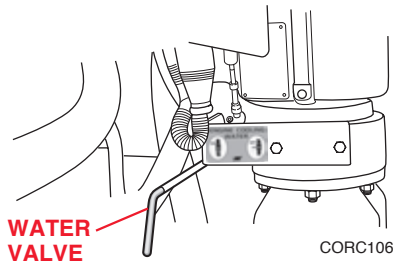
---

U  
R  
L  
G  
I  
N  
G  
I  
N  
F  
O  
R  
M  
A  
T  
I  
O  
N

## Engine Cooling Water Intake Valve

Your boat is equipped with a valve (seacock) on the engine cooling water intake. The handle has a slide mechanism to prevent the valve from being shut off inadvertently. The valve is used to shut off the water supply in the event a hose failure or water leakage occurs. The valve is open when the yellow handle is in-line with the valve body and the valve is closed when the handle is perpendicular to the valve body. Leave the valve open at all times unless an emergency condition requires you to close the valve to stop a leak or the possibility of a leak.

The valve is located on the starboard side of the transmission.



## Fuel Tank

There is a fuel tank fill cap on the port and starboard side for added convenience. Use the fuel tank fill cap key to remove the fuel fill cap to fuel your boat. Use caution when fueling your boat.



### **WARNING**

**Explosion or fire can occur under certain conditions, causing death or serious injury:**

- **Turn the engine OFF.**
- **DO NOT smoke or allow open flame or sparks within 50 feet (15 meters) of the refueling area.**
- **DO NOT refuel unattended, avoid contact and spilling.**
- **DO NOT refuel indoors.**
- **DO NOT use a plastic funnel.**
- **DO NOT allow any spilled fuel to remain on your boats finish.**
- **DO NOT allow a fuel system problem to go unchecked.**
- **Always maintain contact with the fuel nozzle and the fuel tank to prevent electrostatic spark.**

The fuel tank is located beneath the aft seat and trunk area. To inspect the hose connections, raise the floor of the trunk. Your Correct Craft dealer should perform all fuel tank service.

## Battery Selector Switch

The battery selector switch allows you to isolate the boat from the batteries, and switch to the “primary”, “secondary” or both batteries. Under normal conditions, the switch should be in the ON position for one battery rather than the ON position for both batteries. This will keep one battery in reserve should the other fail. Battery selection should be done when the engine is off. Alternate batteries daily. In the OFF position, the boat will be isolated from the batteries.



## NOTICE

*The purpose of the battery selector switch is to keep one as a spare. If both batteries are ON and one battery is used to start your engine, and the other for accessories, both batteries will become discharged. This will eliminate your spare and could leave you stranded.*

Make sure the battery connections stay clean and secure.

## Automatic Bilge Panel

**Bilge Pump Only Mode** - This feature is activated by a switch located on the side console. The switch has three positions, ON, OFF and BILGE. If the boat is going to sit for more than a few days with the bilge pumps on, it is important the switch is set in the BILGE position to minimize battery drain. This will activate the bilge pump and shut off power to the Serial Switching and Keyless Ignition System. It is important to remember the engine or other accessories can not be used unless the switch is in the ON position.



CORC024

A circuit breaker and indicator light is located with the switch for the bilge pump. The circuit breaker is only active when the switch is in the BILGE position. The indicator light will come on anytime the bilge pump is activated.

# Controls and Indicators

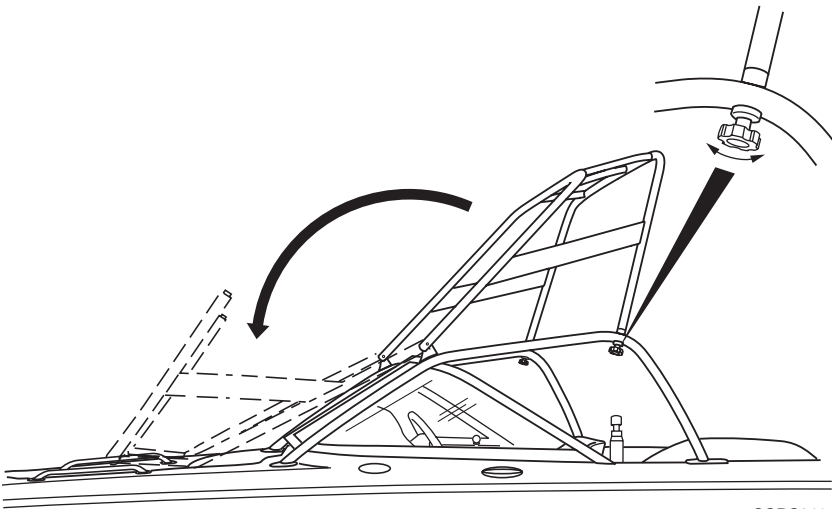
## Folding Instructions for Flight Control Tower®

To fold the Flight Control Tower® forward, loosen the knobs found under the support structure on the port and starboard sides of the tower. Fold down light before folding tower. Fold the tower forward. The tower will rest on the bow section of the boat. In the folded position, strap securely to the grab rails. Reverse the steps to return the tower to the upright position. Tighten knobs securely.



### WARNING

**Crush hazard. The Flight Control Tower is heavy. Use care to fold or unfold the tower.**



CORC041

NEWTRIGUN



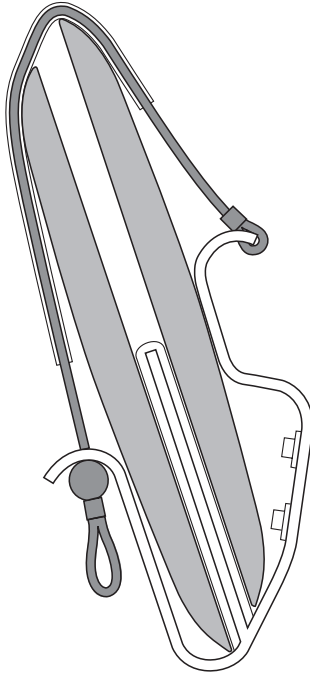




# Controls and Indicators

## Flight Clips™

One set (four) Flight Clips™ will hold a maximum of four wakeboards. DO NOT overload Flight Clips™ with more than one piece of equipment per slot. When loading boards into the Flight Clips™, always insert boards into individual slots so the board bottoms are facing each other. Always visually inspect bungee to ensure the locking ball is securely in the locking claw.



CORC153



### **WARNING**

**Flying objects can cause death or serious injury. DO NOT trailer your boat or attempt to fold tower with any items in the board racks**

NEWTRIGONE



# Section 4

U  
N  
I  
T  
I  
N  
G  
S

## Ballast Tanks

The tanks increase the wake for wake boarding, making your Nautique the most versatile water sports tow package in the world.

### Ballast Tank Control Switches

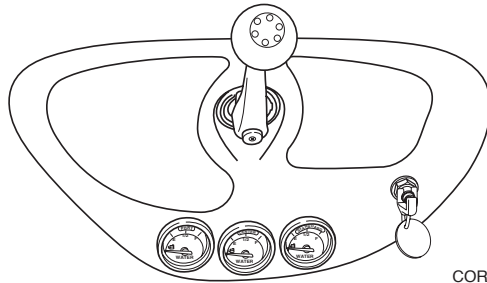
Press the button for the ballast tank you choose to fill or drain.

**To fill:** Press and release quickly; the LED will illuminate and the pump will begin to fill the tank. Press the button again to stop the pump. Use the tank gauge to measure the level of water in the tank.

If you continue to fill the tank beyond its capacity, the excess water will expel from the tank vent. The pump will continue to operate for approximately 10 minutes if the pump is left in the fill mode, then shut off.

**To drain:** Press and hold the button until the LED begins to flash and the pump will begin to drain the tank. Press the button again to stop the pump.

The pump will stop pumping when the tank sensor senses the “No Water Level” in the tank. The LED will continue to flash for approximately 10 minutes unless the button is pressed again.



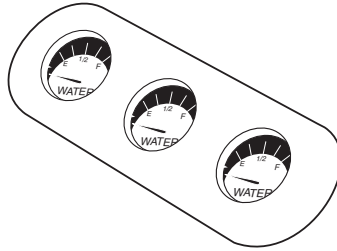
CORC048

## Ballast Control Switches-226



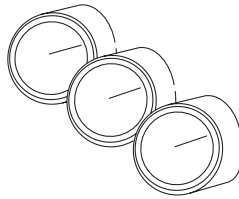
# Controls and Indicators

---



CORC140A

## Ballast Control Switches-211, 220



CORC208A

## Ballast Control Switches-210, 236

236-210-211-220-236



# Section 4

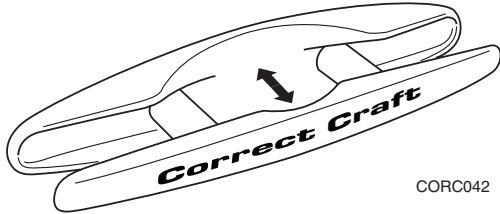
CORRECT CRAFT

## Optional Accessories Stereo and Speaker Pods

All Nautiques are stereo ready and include an iPod™/MP3 Port. They have been pre-wired for your Correct Craft Dealer to install a stereo. Limited and Team Edition Nautiques come with a Clarion stereo with Polk/MOMO speakers. Deafcon I or Deafcon III; speakers can be purchased as an option. Correct Craft mounts all of its stereos in the glove box on the dash. A digital remote control can be mounted on the lower left side of the dash pod. The digital remote control displays all necessary control functions at your fingertip. Consult your Correct Craft Dealer for the stereo configuration for your boat.

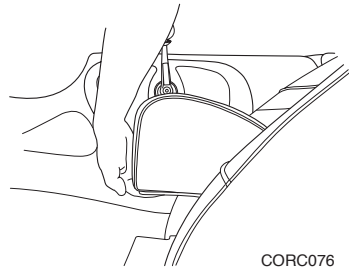
Optional accessories are available from your Correct Craft Dealer. Your dealer may have a wide range of other accessories available to enhance your water sports or pleasure boating experience. Contact your Correct Craft Dealer for more information. Here are just a few of the fine accessories Correct Craft offers:

- Pull-out Cleats



CORC042

- Flip Up Driver's Seat

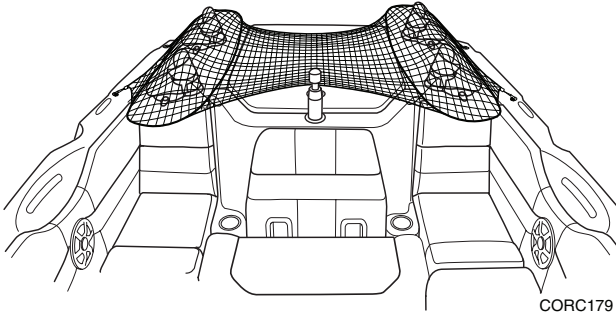


CORC076



# Controls and Indicators

- Sun Pad Cargo Net-220 Only

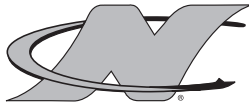


CORC179

NEPTUNE







## Section 5

# Boat Systems

Knowing the systems, controls and indicators on your boat is essential for safe and proper operation.



### **WARNING**

**Systems which are not inspected regularly or maintained can cause death, serious injury or damage to product. Inspect and maintain all systems to prevent unexpected hazards associated with worn or faulty components.**

When replacement parts are required, use marine grade parts with equivalent characteristics, including type, strength and material.

Marine grade parts are designed specifically for the conditions and environment they are exposed to. Using substandard parts could result in injury and product failure.

## Fuel System

The fuel system consists of a built-in fuel tank, a port fuel fill, a starboard fuel fill and a fuel tank vent.

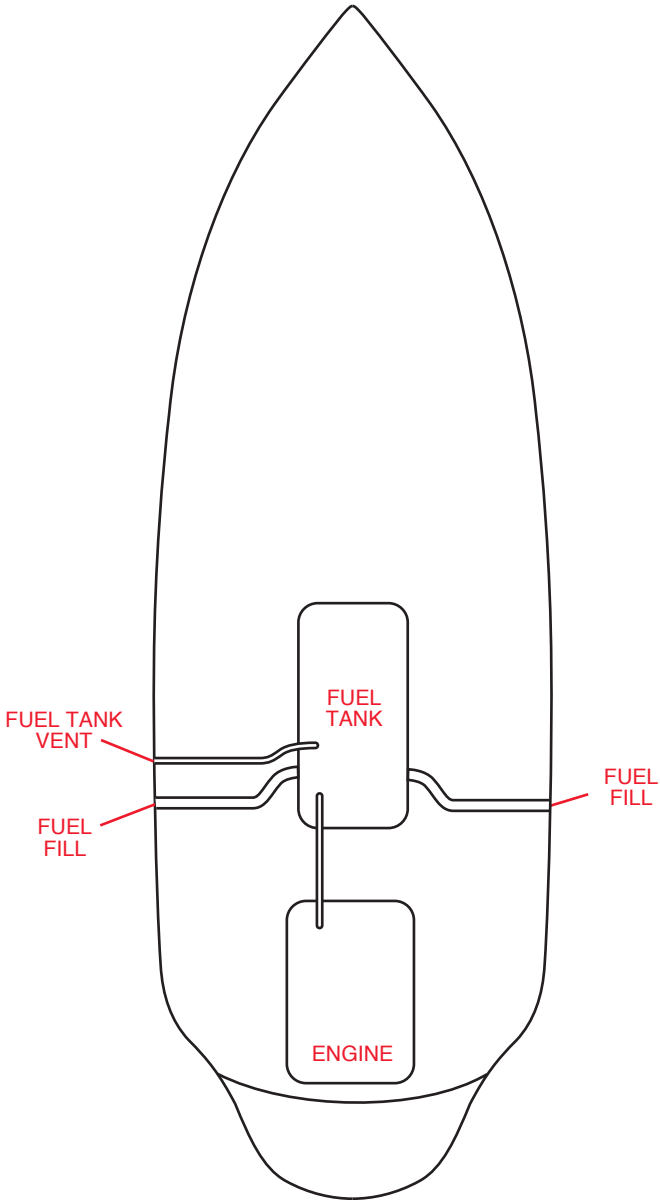
The fuel tank is located under the cockpit floor. To inspect, lift aft seat base and removable section of the cockpit floor.





# Section 5

NEPTUNE



CORC097



## Ballast Tanks and Bilge System

### NOTICE

*The Federal Water Pollution Control Act prohibits the discharge of oil or oily waste into the water. Violators can be fined \$5,000.00.*

Do not allow water to accumulate in the bilge area of your boat. When the boat is in use, make sure the bilge pump is turned on. The bilge pump is an automatic pump that tests for the presence of water every two to three minutes and pumps until the water is removed. If the pump is in between detection cycles, the detection mode can be bypassed to operate immediately by turning the switch off and then back on. Remember, the engine and other parts of the drive system could be damaged and there is also a risk of personal injury as increasing water level will adversely affect the handling and maneuverability of the boat.

### CAUTION

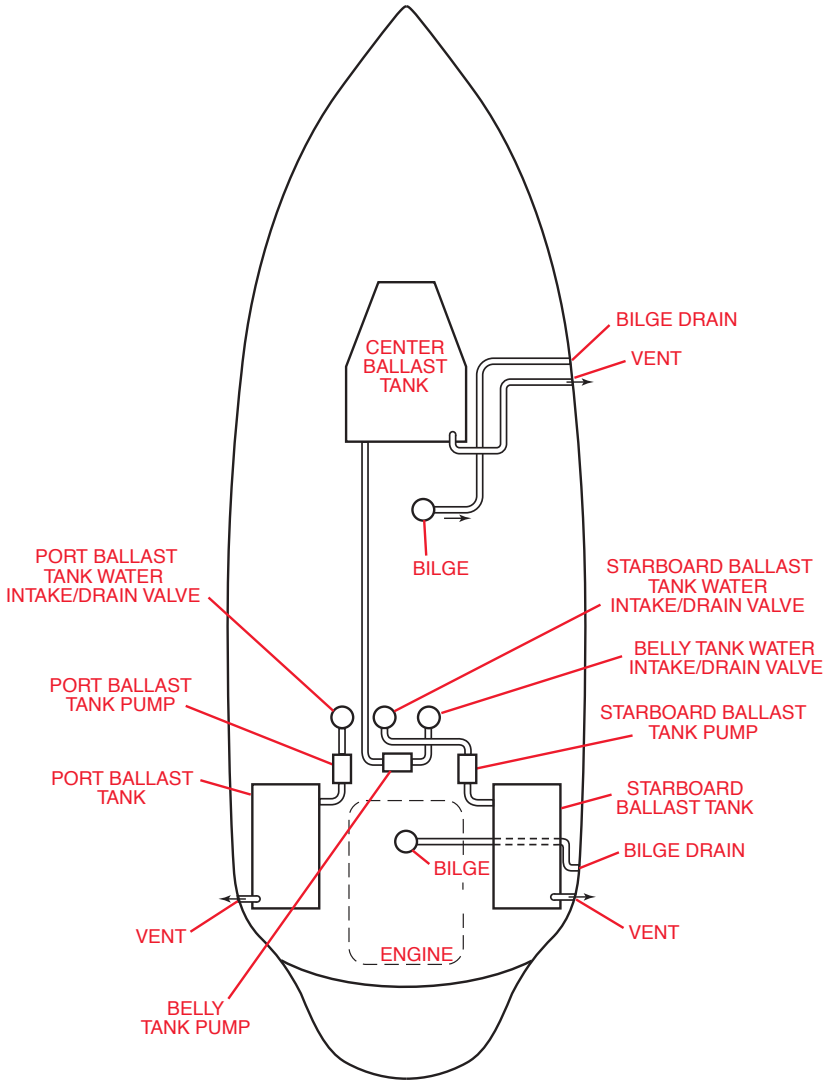
**The risk of personal injury from excess water in the bilge area will adversely affect the handling and maneuverability of the boat. Also, damage to the engine and other parts of the drive system can occur from the additional water. DO NOT allow the bilge pump to operate after all the water has been cleared from the bilge area, damage to the pump will occur.**

2  
3  
4  
5  
6  
7  
8  
9  
10  
11  
12



# Section 5

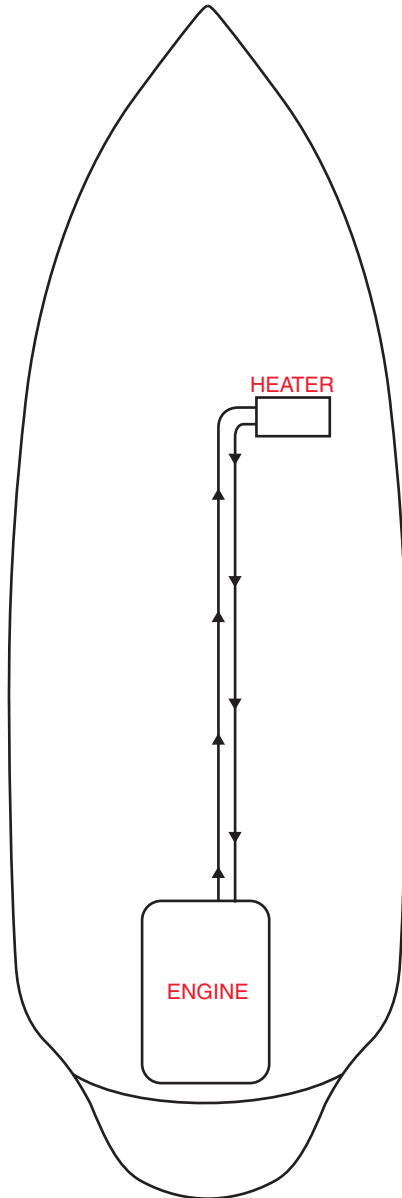
NEALTRIGLE



CORC104



## Heater System-Optional



CORC099

NEWTRIGUN







## Section 6

# Getting Underway

There are many things to consider to make your boating trip safe and enjoyable. You are responsible for the safety of all passengers, the boat and any damage the boat or its wake may cause. Keep passengers from blocking your view so that you do not run into other boats, swimmers, water skiers, personal water vehicles or aids to navigation.

## Safety Checklist



### WARNING

**Operating the boat if any problem is found during this inspection can cause death or serious injury. DO NOT operate the boat if any problem is found during this inspection.**

Problems found during this inspection should be handled by your Correct Craft Dealer.

The following checks are essential to safe boating and must be performed before starting the engine.

- Check the weather report, wind and water conditions.
- Check that required safety equipment and PFDs are on-board and in proper operating condition.
- Check that the fire extinguisher is fully charged.
- Be sure the boat is not overloaded.
- Be sure the operator's visibility is not obstructed.
- Check that all maintenance has been performed.
- Check the fuel system for leaks and fumes.



## Safety Equipment

Federal and local laws require certain safety equipment to be on-board at all times. In addition, responsible boaters carry other equipment in case of emergency. Check with local boating authorities for any additional requirements over and above the federal requirements.

## Fueling



**DANGER**

**Explosion or fire hazard. Gasoline is extremely flammable and highly explosive under certain conditions. Turn the engine OFF and DO NOT smoke or allow open flames or sparks within 50 feet (15 meters) of the fueling area. Check your boat for fuel leaks and fumes before, during and after each use. Maintain contact between the fuel nozzle and the fuel tank to prevent electrostatic spark. DO NOT use a plastic funnel.**

**CAUTION**

**To prevent engine damage not covered by warranty, refer to your engine operation and maintenance manual for recommended fuel type and octane rating.**

Take care not to spill gasoline. If gasoline is accidentally spilled, wipe up all traces of it with dry rags and immediately dispose of the rags properly ashore. Spilled fuel may “yellow” the gelcoat finish and damage gunwale trim.



## Gasoline Containing Alcohol

Gasoline containing alcohol, either ethanol (ethyl alcohol) or methanol (methyl alcohol) is not recommended for use in your engine. Gasoline containing alcohol will attract and hold moisture and may cause the following:

- Hard starting and operating difficulties (vapor lock, low speed stalling).
- Corrosion of metal parts.
- Excessive wear and damage to internal engine parts.
- Fuel permeation through flexible fuel lines.
- Deterioration of some nonmetallic materials.

The adverse effects of alcohol are more severe with methanol and are worse with increasing alcohol content.

If gasoline containing alcohol is used, or if the presence of alcohol is uncertain, more frequent inspections of the complete fuel system are required. Any sign of fuel leakage or deterioration must be repaired immediately before further engine operation.

### NOTICE

*Some gasolines contain an octane-enhancing additive called methylcyclopentadienyl manganese tricarbonyl (MMT), and they should not be used.*

*These fuels may reduce spark plug life, and engine performance may be affected.*

### When fueling:

1. Avoid fueling at night, except under well-lighted conditions.
2. Moor your boat securely to the dock. Know the location of the fire extinguisher in case of emergency.
3. Close all doors, hatches, windows and other compartments.
4. Extinguish cigarettes, pipes, and all other flame producing items.
5. Make sure all power is OFF, and DO NOT operate any electrical switches.
6. Add fuel in accordance with the engine operator's manual. DO NOT overfill, and allow enough room for fuel expansion.





# Section 6

---

U  
R  
I  
G  
I  
N  
A  
L

## After fueling:

1. Tighten the fuel filler cap. Wipe up any spilled fuel.
2. Check all fuel lines, hoses and connections for leaks and deterioration.

### NOTICE

*Each time you refuel, inspect all fuel lines, hoses and connections for leaks and deterioration.*

## Boarding

When boarding the boat, always step in. DO NOT jump. Avoid stepping on fiberglass or other potentially slippery surfaces. Board one person at a time.

DO NOT board the boat while carrying gear. Set the gear on the dock, board the boat and then pick up the gear.

Use the boarding platform to board from the water. To prevent injury, make sure the engine is OFF when swimmers, divers and skiers are boarding or even near the platform.

## Boat Planing

The performance of your Correct Craft boat depends on load weight and distribution. DISTRIBUTE WEIGHT EVENLY, from bow to stern, and also from port to starboard.



### WARNING

**Overloading of passengers, personal equipment and supplies could result in an accident, especially in rough waters.**

If your boat is equipped with a ballast tank or loaded, loss of horizon may occur when you begin to plane your boat. Get on plane immediately to restore the vision of your path. DO NOT operate your boat if the loss of horizon prevents you from operating it safely.



## Pre-Operation Checks

It is the owner's responsibility to check all of the items listed below to be certain all preparation steps are completed before you use your boat. Checking these items periodically will soon become a habit. If leaks or other abnormal conditions are found, stop using the boat and contact your Correct Craft dealer to have the problem corrected.

Get into the habit of performing these checks in the same order each time so that it becomes routine.

- Make sure to check all safety items.
- Check that drain plug is properly installed.
- Check condition of propeller.
- Check that all batteries are fully charged and at the proper level.
- Verify the amount of fuel in the fuel tanks.
- Be sure the lights, horn, bilge pumps and other electrical equipment are in operating condition.
- Check that steering system operates properly.
- Make sure your float plan is submitted to a responsible person.
- Refer to your engine operation and maintenance manual for additional pre-operation checks.



## Section 6

---



The following instructions are very important:

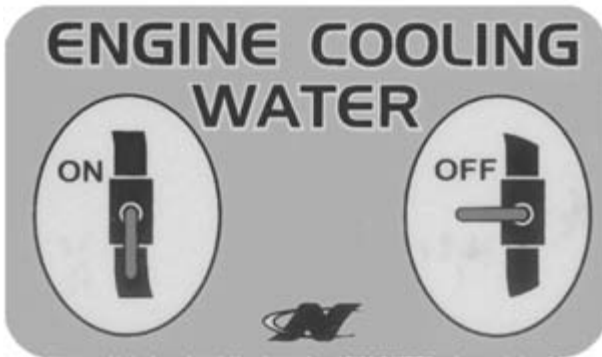
- Raise the engine hatch all the way up. Check to see if all the engine drain plugs are in place. Make sure the hull drain plug (T-handle) in the bilge area is installed.
- Look at all the hoses to make sure they are installed and the hose clamps are tight. Close the engine hatch and turn on the engine compartment blower. Run the blower at least four minutes to remove fuel vapors that might be in the bilge area and engine compartment before starting engine. Remember, if you have detected the presence of fuel vapors, do not start the engine until the source has been determined, problems corrected and vapors removed.
- **Check all gasoline line connections.** Connections are located at the fuel tank, the fuel control cell and the fuel injection system. All Correct Craft boats are equipped with anti-siphon valves on the outlet fittings of the fuel tanks to reduce the chance of fuel siphoning from the fuel tank if a fuel hose leaks or is severed.
- Fill the fuel tank and check for leaks. Check again for leaks after the engine has run for a few minutes.



# Getting Underway

Before starting checklist:

1. Engine oil level - boat must be level.
2. Transmission oil level - boat must be level.
3. Shifting linkage and detent in forward, neutral and reverse.
4. Leaks (water, fuel and oil).
5. Coolant level (closed cooling system).
6. Operation of the throttle and transmission shift control.
7. Battery condition.
8. Visually inspect for any loose mounting fasteners.
9. Verify the emergency stop switch located by the throttle is fully functional and the lanyard is not frayed or damaged. Clip the safety lanyard securely to your body. Keep it attached at all times while you are driving.
10. Check that engine cooling water (raw water) valve is open and raw water strainer is clean.



CORC015

- Once the boat is in the water, visually check for water leaking at the stuffing box. There should be no leakage from the optional “dripless stuffing box” while a conventional stuffing box must drip a moderate amount of water to properly lubricate the drive shaft. If the “dripless stuffing box” is leaking or water is coming in rapidly with the conventional stuffing box, pull the boat out of the water and have your Correct Craft Dealer service the stuffing box.

2  
3  
4  
5  
6  
7  
8  
9  
10  
11  
12  
13  
14  
15  
16  
17  
18  
19  
20  
21  
22  
23  
24  
25  
26  
27  
28  
29  
30  
31  
32  
33  
34  
35  
36  
37  
38  
39  
40  
41  
42  
43  
44  
45  
46  
47  
48  
49  
50



## Section 6

- Make sure there are no ropes, gear bags, arms/legs near the belts and pulleys of the engine. Severe injury can result by becoming entangled in the belts of the engine while it is running. Make sure the boat is deep enough in the water to supply the water intake with water to cool the engine. Move the throttle into the NEUTRAL "straight up" position.



### WARNING

Fire or explosion hazard from fumes accumulating in bilge area. Ventilate the engine compartment by running the blower for four minutes, especially after repairing or refueling and check for fuel spills or leaks.

- Close the engine cover.



### WARNING

An engine guard which is not in place or contact with any moving parts can cause death or serious injury. The engine box cover is a machinery guard. DO NOT operate your boat without the cover closed and in place unless you are performing a check or maintenance. Keep your hands, clothing, hair and any other body parts away from any moving parts.

- Start the engine.

### CAUTION

DO NOT continue to operate the starter for more than 30 seconds without pausing to allow the starter motor to cool off for five minutes. This allows the battery to recover between starting attempts.

# Getting Underway

In order to prevent personal injury to you or others, the engine cover must be closed whenever the engine is running.

- DO NOT operate the engine with the engine cover open or while someone is in the area of an open engine cover.
- DO NOT open the engine cover unless the engine is turned OFF and rotating parts are stationary and remain in a stationary position.

IT IS RECOMMENDED THAT ALL WORK ON THE ENGINE BE DONE BY TRAINED AND QUALIFIED SERVICE PERSONNEL.

During the warm up period, check the gauges for correct and normal operation of all the systems:

- Oil pressure 35-80 psi , approximately at 2000 rpm
- Cooling water flow and water temperature 140-170°
- Cooling water temperature for fresh water systems: 170 – 210°
- Volts should rise to around 13 - 14V or higher
- Idle rpm (600 - 700) in gear

## CAUTION

**DO NOT operate at high rpms in NEUTRAL.**

**DO NOT shift into forward or reverse at engine speeds above idle rpms.**

**DO NOT operate the engine without a cooling water supply.**

**Damage to the water pump impeller and engine can occur. If the engine does not start, refer to Section 9, Troubleshooting.**

2  
3  
4  
5  
6  
7  
8  
9  
10  
11  
12



## Section 6

---



If the engine does not start:

- If the fuel filter has been changed or if the fuel system was run dry, it will be necessary to cycle the ignition start button from the STOP position to the START position several times until the fuel pumps build adequate pressure. The cycling of the ignition is necessary because the fuel pumps will run only one to two seconds when the ignition is turned on, unless the engine starts. Keep the shifter/throttle control in NEUTRAL when starting the engine. If the throttle is advanced, the computer will think the engine is flooded and initiate a “clear flood” condition which will shut off fuel to the engine and not allow it to start. The idle speed increase is normally on hot or cold starts. This is programmed into the computer. When the engine starts, the idle speed will jump to approximately 1,500 rpm and quickly decrease to between 750 and 900 rpm.
- Check for gasoline and cooling water leaks on the engine.
- Check for cooling water circulation (look at the raw water strainer at the rear port side of the engine for water movement).

### Flooded engine

If your engine does become flooded, use caution when attempting to start the engine. Push in the transmission disengagement button at the bottom of the shifter/throttle control handle and advance the throttle to the FULL THROTTLE position. By pushing the button in, the shift linkage is disengaged and the transmission remains in NEUTRAL during the starting procedure. Run the starter until the engine starts. DO NOT operate the start switch for more than 30 seconds. Allow the starter to cool.

We suggest you bring your boat back to your Correct Craft Dealer after 25 hours of operation for an inspection of the shaft alignment, stuffing boxes adjustment, and the fuel system checked for leaks. This is not a free service. Follow Pleasure Craft Marine’s (PCM) recommendations in the maintenance section for additional service to the engine. Consult your Correct Craft Dealer to determine what charges will apply.



# Getting Underway

When the engine starts, move the throttle lever back until the engine is running about 2,500 rpm or less. Check the gauges for normal readings and let the engine run for a minute to burn the excess fuel. If the gauge readings are abnormal, stop the engine and contact your Correct Craft Dealer. When the engine runs normally, check the engine for fuel, water and exhaust leaks. If there are leaks, stop the engine and correct them before you continue.

## NOTICE

*Read the “Notice to Dealer” located in your Skipper’s Kit. It contains pre-delivery checks and adjustments which must be performed by your Correct Craft dealer. It is still the boat owner’s responsibility to make sure they were performed. This will also help you become more familiar with your boat and its systems. If you have any questions regarding this notice, contact your Correct Craft dealer.*

After your initial run:

- Check the engine oil level
- Check the transmission oil level
- Check the V-Drive oil level
- Check for leaks (water, fuel and oil)
- Check that engine frame bolts and mounts are tight
- Check that throttle and shift control operates correctly

## NOTICE

*If the engine backfires when you try to start it, the problem may be more serious than flooding.*

- ***DO NOT CONTINUE TRYING TO START THE ENGINE.***
- ***CONTACT YOUR CORRECT CRAFT DEALER OR A QUALIFIED TECHNICIAN TO CORRECT THE PROBLEM.***

*DO NOT keep trying to start the engine under these conditions. Engine damage or personal injury can result.*

2  
3  
4  
5  
6  
7  
8  
9  
10  
11  
12





## Section 6

---



### Break In Procedure

Make sure all your passengers are properly seated before starting the break in procedure. After the engine is thoroughly warmed up and you have driven the boat into a large open area, advance the throttle to wide open until the maximum rpms are reached. DO NOT exceed 5,000 rpm. Reduce the throttle to 2,800-3,000 rpms and cruise at or below this speed for 30 minutes. Reduce the speed to idle, advance the throttle to wide open and operate at that speed for one minute; reduce to the previous cruising speed for a few minutes and repeat. Accelerating from idle speed to wide open assists in seating the piston rings. This cycle can be repeated from time to time during the first five hours of operation. DO NOT operate engine at full throttle for longer than one to two minutes.

#### CAUTION

**Follow these procedures only when conditions are such that you can drive the boat safely. DO NOT attempt to break in an engine by letting it idle at the dock.**

### Propeller Selection

The maximum rpm of the engine at full throttle under normal load conditions can be controlled by propeller pitch, diameter and design. It is essential the propeller does not underload or overload the engine.

**Propeller Overloading**, results in low rpms at wide open throttle will give poor performance, poor fuel economy and eventually result in engine damage.

**Propeller Underloading**, if operated with a propeller that has too little pitch or diameter, poor performance will result.



## NOTICE

*Running your boat in shallow water can cause propeller shaft, strut, propeller and rudder damage and sand and silt to be pulled into the cooling system. This will cause excessive water pump wear and can clog the water passages in the engine. Heavy weed growth in the water can plug the raw water strainer and oil coolers and cause engine damage. There is a raw water strainer located near the rear of the engine to strain the water before it goes into the transmission cooler and then the engine. Check this every time you use your boat to make sure it is not clogged.*

Refer to **Section 1, Hazardous Conditions, Boating Safety.**

If the engine fails to start or is not operating properly, contact your Correct Craft dealer for assistance.

## Shifting



### WARNING

**Boat movement without making sure your path is clear can cause death or serious injury. Make sure there are no swimmers or obstacles in the water near you.**

Keep the control lever clean and clear of obstructions. Refer to your engine operator and maintenance manual for shifting information.

Always pause in NEUTRAL before shifting from reverse to forward and from forward to reverse.

## Steering

Practice steering your boat. Make sure the steering system is working correctly and is properly maintained.



### WARNING

**The steering system must be in good operating condition for safe boating. Frequent inspection, lubrication and adjustment by your Correct Craft dealer is recommended.**

NEUTRAL



### Stopping

Stopping the engine immediately after operating at high speed is not recommended. Allow the engine a two to three minute cool-down period at idle or low speed.

Refer to your engine operator and maintenance manual for stopping information.

### Docking



#### **WARNING**

**There is a crushing hazard between the boat and other objects that could cause death or serious injury. DO NOT use your hands, arms or another part of your body to attempt to keep the boat from hitting other objects, especially a dock.**

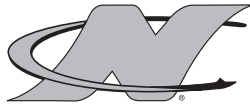
Approach a dock slowly and use caution. Plan your maneuvers ahead of time. Allow wind and current movement to help maneuver your boat.

Come to a stop a short distance from the dock, then proceed slowly.

- Have your fenders and mooring lines ready.
- Observe how the wind and current are moving your boat. Approach the dock with the boat pointed into the wind, if possible.
- If possible, throw a line to a person on the dock and have that person secure a bow line. If no one is on the dock, maneuver as close as you can, then secure any line to a piling or dock cleat.

Before tying up your boat, be sure to use enough fenders to protect the boat from damage. If possible, tie up the bow toward the waves with a good quality double-braided nylon line. Tie up only to the lifting rings, tie down eyes or cleats; DO NOT use the handrails or windshield frame. If the boat is to be moored for a long period of time, use chafing protectors on the lines to protect the gelcoat finish. Leave a little slack in the lines to allow for some wave movement or tidal action as applicable.

When departing, cast off the bow line and move away. If the wind or current is pushing away from the dock, cast off all lines and allow to drift until you are clear.



## **Section 7**

# **Running**

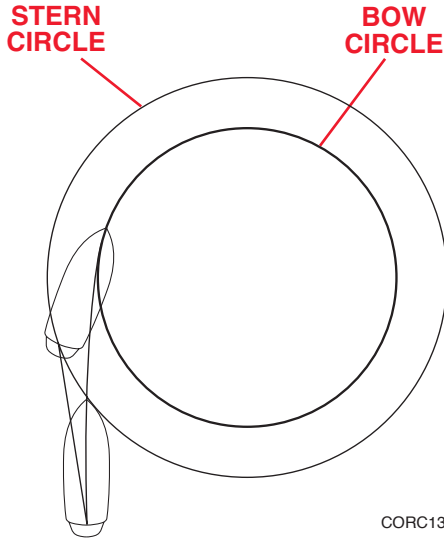
Correct Craft urges you and all others operating your boat to seek certified instruction from the local boating authorities.

This section is designed to present the most basic operational principles. It is NOT intended to cover all conditions encountered during operation. Therefore, the principles in this manual are limited to the facts related directly to the operation of your boat, while the responsibility for the proper application of these principles belongs to you.

## Maneuvering Techniques

Steering response depends on three factors: rudder position, motion and throttle.

Maneuvering in congested areas and advanced courses requires mastering and good “Rules of the Road” ethics. Your Correct Craft boat is designed to be responsive and agile enough to meet the challenge of these conditions.



### Maneuvering

High speed maneuvering is relatively easy and takes little practice to learn. Slow speed maneuvering is far more difficult and requires time and practice to master.

When making tight maneuvers, it is important to understand the effects of turning. Since both thrust and steering are at the stern of the boat, the stern will push away from the direction of the turn. The bow follows a smaller turning circle than the stern.



### WARNING

**Quick maneuvers can cause people and objects in the boat to be thrown about resulting in death or serious injury. DO NOT make quick or high-speed maneuvers when you or your passengers are not prepared.**

The effects of unequal propeller thrust, wind and current must also be kept in mind. While wind and current may not always be present, experienced boaters will use them to their advantage. Unequal thrust is an aspect shared by all single-engine propeller-driven watercraft.

The 226 has a clockwise rotation propeller which tends to cause the boat, steering in the straight ahead position, to drift to starboard when going forward, or going backward. At high speed, this effect is usually unnoticed, but at slow speed, especially during backing, it can be powerful. For this reason, many veteran boaters approach the dock with the port side of the boat toward the dock, if possible.

The 210, 211, 220 and 236 have a counterclockwise rotation propeller which tends to cause the boat, steering in the straight ahead position, to drift to port when going forward or backward. At high speed, this effect is usually unnoticed, but at slow speed, especially during backing, it can be powerful. For this reason, many veteran boaters approach the dock with the starboard side of the boat toward the dock, if possible.

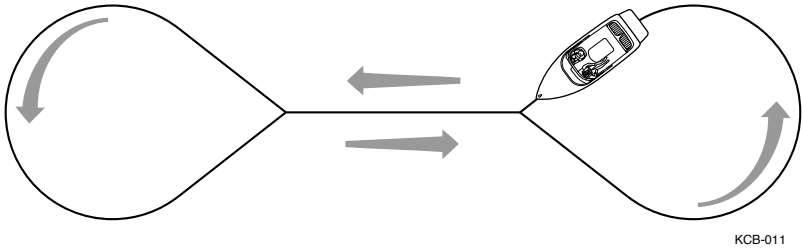
Stopping (checking headway) is a technique that must be developed. Reverse thrust is used to slow and stop the boat. The momentum of the boat will vary according to the load as well as the speed. Make it a practice to slow to idle (no-wake) speed before shifting into reverse.

It is best to learn maneuvering skills in open water away from traffic. Adequate practice is the only way to develop your boating skills.

## Tow Pattern

A large loop pattern is preferred for beginners. This pattern does not require the skier to cross the wake. As the skier's skills improve, a looped end or dumb bell pattern may be used. The dumb bell pattern provides a long straight course which allows the wake to disperse, leaving the skier with a smooth water surface. The dumb bell pattern is popular with ski tournaments and clinics.





Dumb Bell Ski Pattern

## Freezing Temperatures

When the boat is removed from the water, drain the cooling and heater system (as equipped) completely.

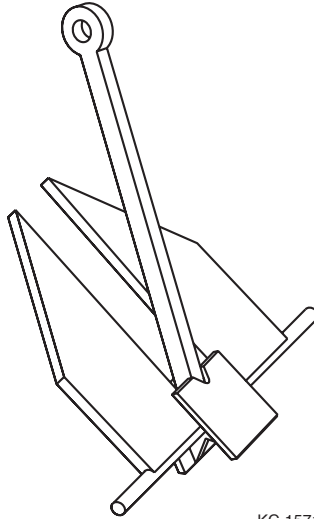
## Anchoring

There are many types of anchors available on the market. The choice of one anchor over another depends on many factors. An anchor will usually hold best in a mixture of mud and clay or in hard sand. A Danforth anchor is recommended for general boating. For more information on anchors,

**⚠ WARNING** Improper use of an anchor can pull a boat underwater causing death or serious injury. Anchor from the bow, NOT from the stern.

contact your Correct Craft dealer.





KC-1571C

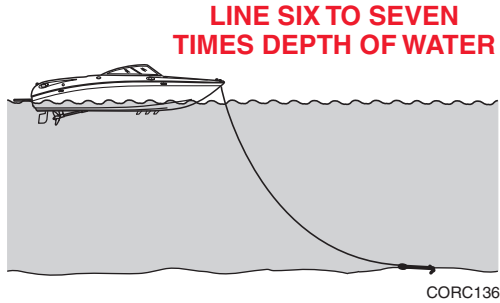
## Danforth Anchor

### Dropping Anchor

- Make sure the line is tied to the anchor and tie the other end to the forward cleat or bow eye.
- Head the boat into the wind or current over the spot where you want to lower the anchor. Spot the boat before lowering the anchor.
- When the anchor hits bottom, slowly back up the boat, keeping tension on the line. Let out an anchor line that is six to seven times the depth of the water. For example, if you are in 10 feet (3 m) of water, let out 60 to 70 feet (18 to 21 meters) of line.







## Anchoring

- Pull on the line to make sure the anchor is holding.
- Occasionally check your position against the shoreline. If the anchor is dragging and you are drifting, reset the anchor.

## Weighing (Pulling In) Anchor

Start the engine and move forward until the anchor line is straight up and down. Pull hard to lift the anchor from the bottom material.

If the anchor is caught on the bottom, attach a line to the bow cleat so that it is taut. The up and down motion of the bow from wave action may lift the anchor from the bottom. If the anchor remains caught, let out a few more feet of line and attach it to the bow cleat. Slowly maneuver the boat around the anchor until the anchor pulls loose. Be sure to keep the line tight during this procedure.

## Performance Boating



### **WARNING**

**Failure to maintain control can result in death or serious injury. Always keep one hand on the steering wheel and the other on the control lever. If the boat begins to operate in an unsafe way, adjust speed and course as necessary to regain control.**

Your Correct Craft boat is a high performance boat. DO NOT be tempted to push your boat to its limits until you are completely familiar with its operating characteristics.

Nautiques are the boat of choice of the better professional and amateur ski shows and tournaments. You may have seen drivers put their Nautique through extreme maneuvers. These drivers are paid professionals on a closed course with hundreds of hours of experience. DO NOT attempt extreme maneuvers without proper training.

We recommend that you never operate the boat without first having an initial orientation and familiarization/demonstration ride with your dealer or an operator experienced with the boat/engine combination. All boats perform differently.

The operator should have at least ten hours of experience with the boat before any full throttle operation. DO NOT operate your boat until you are completely experienced with its handling characteristics.

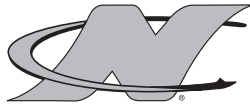
## Propellers

Your Correct Craft boat is equipped with a propeller best matched to its engine and boat combination. If you feel you are experiencing poor performance, contact your Correct Craft dealer. Care and selection of your propeller is very important to proper boat operation.

2  
3  
4  
5  
6  
7  
8  
9  
10  
11  
12







## Section 8

# Care and Maintenance

This section describes how to care and maintain your Correct Craft boat. Periodic inspection and maintenance of items listed in this section is absolutely necessary.

Winterization and some engine maintenance functions are best performed by your Correct Craft dealer. Some maintenance items that can be done by you or your dealer are listed below. We suggest that you familiarize yourself with these even if you have your dealer service your boat.

### General Maintenance

1. Read engine operator and maintenance manual very carefully.
2. Check for fuel line leaks every time you use the boat.
3. **DO NOT** start your engine if gasoline odor is present. Gasoline fumes are highly explosive. Before starting your engine, open the engine cover, inspect the engine compartment for gasoline fumes and operate the blower for at least four minutes. Run your blower when operating at slow speeds. If fuel vapors are present, do not start the engine. Check all hoses and fittings to determine the source of the vapor. Make the necessary adjustments or take the boat to your local dealer to eliminate the fuel vapor.



#### **WARNING**

**Fumes accumulating in bilge area present a fire or explosion hazard which could cause death or severe injury. Ventilate the engine compartment by running the blower for four minutes, especially after repairing or refueling and check for fuel spills or leaks. If you smell gasoline vapor or see liquid gasoline, DO NOT start the engine.**

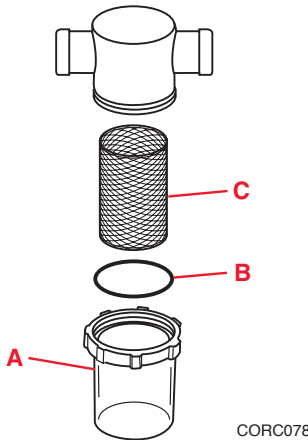
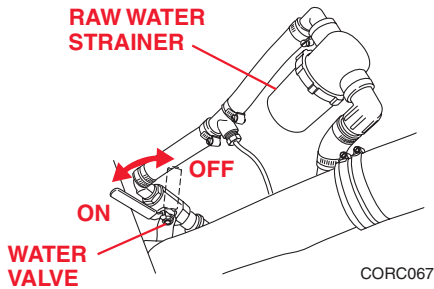
# Section 8

W  
R  
I  
T  
E  
N

4. When servicing the ignition switch or any wiring, always disconnect the battery cables from the battery.
5. Check for water circulation when the engine is running. Exhaust should contain steady flow of water. In closed cooling systems, make sure the coolant in the cooling system is at the proper level.

## Engine Intake Water Strainer

Visually inspect the engine intake water strainer for debris before each use. To clean the strainer, close the engine intake water valve and unscrew the strainer bowl (A). DO NOT lose the rubber O-ring (B) that seals the bowl to the cap. Carefully remove the screen (C).



# Care and Maintenance

---

Clean debris from the bowl and screen and rinse parts in fresh water. Insert the screen, place the O-ring in the groove of the bowl and screw the bowl on hand tight. Be sure to open the water valve before starting the engine.

Some engines are equipped with a closed cooling system with a self-contained reservoir for engine coolant. Self-contained systems are equipped with a heat exchanger which uses raw water to cool the coolant. All raw water systems are equipped with a valve and strainer.

## Bilge Pumps

Check your bilge pumps often to make sure they are operating efficiently. There are two bilge pumps: one is at the rear of the boat near the rudder and under the floor by the forward bulkhead located next to the fuel tank. Keep the pumps from getting clogged, remove any debris you find in the bilge. Wash the bilge with a good biodegradable household detergent or a bilge cleaner available at your Correct Craft dealer or a marine supply store. Rinse with water with your bilge pumps running. If your pumps seems to lag, remove the top of the pump from the base and check the impeller to make sure there is no debris inside. See your dealer if there is still a problem with the pumps.

2  
3  
4  
5  
6  
7  
8  
9  
10  
11  
12



## Propeller

### CAUTION

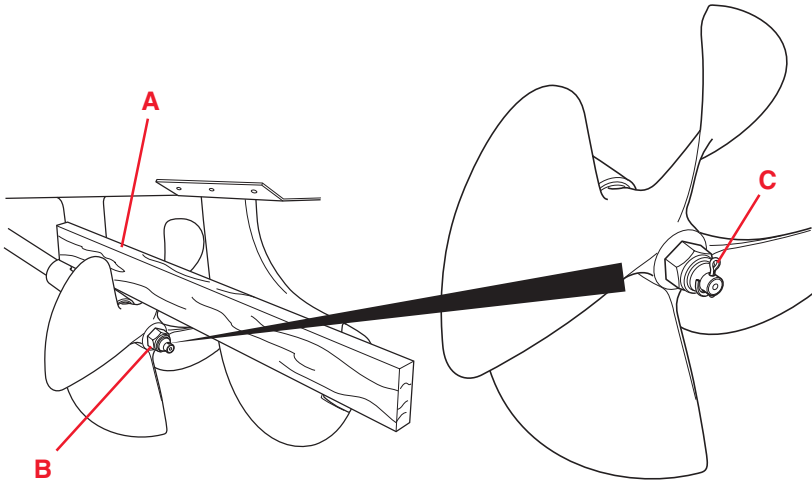
- A propeller can be very sharp. Be careful when you handle it. Wear a pair of protective gloves when handling any propeller.
- Remove your key from the ignition and remove the Emergency Stop Switch clip from the switch to prevent accidental starting of the engine.
- **DO NOT** reuse the nylon locknut or the cotter pin.
- **DO NOT** use a damaged propeller. A damaged propeller can damage your engine and boat.

### Removal

1. Remove the cotter pin from the propeller shaft and discard.
2. Wedge a piece of 1" x 4" wood between the propeller blade and the starboard side of the strut and rudder.
3. Remove the nylon locknut and discard.

# Care and Maintenance

Use a propeller puller to remove the propeller, then remove the key from the keyway. Inspect the keyways and key for any damage.



CORC047

## Installation

Before placing the propeller on the shaft, look at the keyway on the shaft and in the propeller. Make sure the key slides freely in the shaft keyway and the propeller keyway. **DO NOT** use the propeller to advance the prop onto shaft.

If the key has burrs, remove them by filing the flat sides or replace the key. **DO NOT** file the key beyond its normal shape or size.

1. Rotate the shaft until the keyway is “up.”
2. Place the key in the shaft keyway. The propeller will only slip on in one direction. Rotate the propeller so the keyway in the propeller is aligned with the keyway on the shaft. Once it is aligned, push the propeller onto the shaft. You’ll hear a solid “thunk” or feel it, as the propeller is seated.
3. Wedge a piece of 1" x 4" wood (A) between the propeller blade and the port side of the strut and rudder.
4. Install a new nylon locknut (B) and torque the nut to maximum of 30 ft-lbs (40.7 N•m).
5. Install new cotter pin (C). Bend the retaining ends of the cotter pin in the opposite directions.

2  
P  
E  
R  
F  
O  
R  
M  
A  
N  
C  
E





### Propeller Shaft Stuffing Box

The stuffing box is designed to prevent water from coming through the through-hull fittings. These are found on the propeller shaft where the shaft goes through the hull and where the rudder comes up through the bottom of the boat. These devices contain a lubricated fibrous packing that acts as a seal.

Check the propeller shaft stuffing box frequently for excessive leakage. The engine must be OFF. A leaking rate of a few drops per minute is acceptable and expected for proper lubrication. Raise the engine cover and remove the storage bulkheads. If you see a steady stream of water or an excessive drip rate, return your boat to your Correct Craft dealer for service.

### Through-Hull Fittings

All fittings that actually pass through the hull on the wetted surface are caulked in. These are not serviceable and must not be tampered with.

### Quick Oil Drain System

Change the engine oil after the first 25 hours of operation, then after every 50 hours. The boat must be removed from the water to use the quick oil drain system. There is a drain hose attached to the bottom of the oil pan with a small plug screwed into the loose end of the hose. Remove the drain plug (T-handle) (A), located in the bilge area, and put the end of the drain hose through the drain hole.

Make sure there are no kinks or sharp bends in the hose. Remove the plug at the end of the hose and drain the oil into a container under the boat. The engine will drain most efficiently when the oil is warm. Allow several minutes for the oil to settle and drain. Dispose of used oil in an environmentally safe manner.

#### NOTICE

*Be sure the engine is off when you are draining your oil.*



#### **WARNING**

**Prolong or repeated contact of used engine oil can cause death or serious injury. Wash affected area immediately with soap and water.**

## Salt Water Boating

### NOTICE

*If you use your boat in salt water or other unusual water conditions, fresh water flush your engine and cooling system with freshwater.*

Correct Craft offers an optional fresh water flush kit. The relief valve in this kit prevents excessive water pressure to your engine. Excess water pressure can damage the engine. This is the only system we recommend if you use your boat in salt water or unusual water conditions. Flushing the system by running the boat in fresh water is another good way to flush the engine, but it must be done immediately.

### Fresh Water Flushing Kit- Optional

The optional freshwater flushing kit allows you to flush the water system after your boat is operated in salt water, brackish water or unusual water conditions.

The relief valve in this kit prevents excessive water pressure to your engine. We recommend using this system if you use your boat in salt water or unusual water conditions. Flushing the system by running the boat in fresh water is another good way to flush the engine, but it must be done immediately.

DO NOT connect the flushing kit to a water source which exceeds normal municipality water pressure.



## Battery Maintenance



### **WARNING**

Explosion or fire hazard from vented fumes can cause death or serious injury.

- **Wear eye protection and rubber gloves when working on or around batteries.**
- **DO NOT charge or use a battery booster to start your engine.**
- **Charge the battery outside of the boat.**
- **DO NOT smoke or bring a flame near a battery at any time.**
- **DO NOT have your head directly above a battery when making or breaking electrical connections.**
- **DO NOT use a metal object to spark between battery posts to check if the battery is charged.**

Take care when connecting or disconnecting a battery charger. Be sure the charger is turned OFF and unplugged from power source when you clip ON/OFF the connecting clamps.

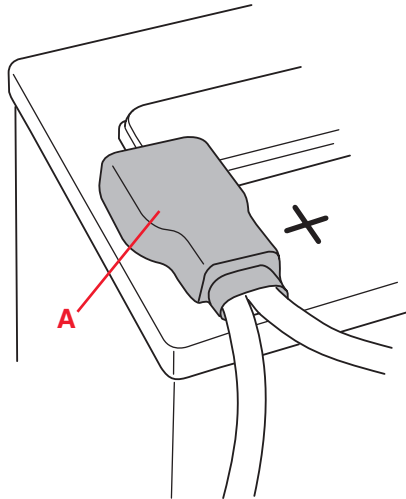
Make sure you have a solid connection with the charging clamps. Poor connections are common causes of electrical arcs and engine problems. Follow instructions.

DO NOT make or break electrical circuits at the battery terminals; a spark will occur when a live circuit is opened or made. Turn off all components.

Use a voltmeter or hydrometer to check the battery charge condition.

The battery cables should be removed from the battery when the boat is placed in storage, on display or in transit. This will eliminate the possibility of the engine accidentally starting without a supply of cooling water and may damage the engine.

# Care and Maintenance



CORC212

+ = red positive (A)

- = black negative (not shown)

To clean your battery, remove and wash down the battery case with a diluted ammonia or baking soda/water solution to neutralize the acid, then flush with fresh water. Keep the fill/vent caps tight so the neutralizing solution does not get into the battery cells.

The electrolyte level should be checked every 30 days. Add only distilled water to maintain the level between the top of the plates and the bottom of the fill/vent cap. **DO NOT** overfill. Remember batteries contain sulfuric acid which can cause severe burns.

2  
3  
4  
5  
6  
7  
8  
9  
10  
11  
12



### Gelcoat Maintenance

Your Skipper's Kit included samples of quality boat care products recommended by Correct Craft. Correct Craft is proud of its heritage and wants you to feel this pride every time you use your boat.

Regular maintenance is the key to keeping your hull and deck surfaces in good condition. Sun exposure, residue from trees and minerals in the water affect your boat's finish.

To help maintain the shine of your boat, wash the hull with a mild bio-degradable detergent after each use. This will help to remove any debris and waterborne materials that are on the hull. Use a soft sponge or towel and dry with a chamois cloth to prevent water spots.

Wax the hull sides and deck regularly with a high quality wax. Waxes and polishes are available at your Correct Craft dealer and marine supply stores. Always follow the directions on these products carefully before you use them.

The hull bottom is an especially important area to keep clean since any buildup of water scum and algae will create drag and reduce the boat's efficiency. If you must leave your boat in the water, there are compounds to remove algae buildup on your hull. Some of these can be caustic. Pay special attention to the cautions on the label of these coatings. Ask your Correct Craft dealer for advice on which work best in your area.

If your boat's gelcoat develops a chalky look over a period of time due to exposure to sun, there are gelcoat buffing and polishing compounds available at your Correct Craft dealer and marine supply stores. **DO NOT** use common household scouring pads or powders.

If you will be keeping your boat in the water for **ANY** period of time, we suggest that the wetted surface of the hull be painted with an epoxy paint formulated for blister protection.

## Care of Metal

- Aluminum care
- Stainless care
- Chrome
- Anodized towers

Keep all metal work rinsed and wiped dry. Periodically polish it with a quality commercially available metal polish to remove substances such as air-borne pollution and natural body oils from your hands.

## Care of Glass

Your windshield, mirrors and gauge faces all deserve the same attention as the other parts of your boat. Clean them often with quality commercially available glass cleaners.

## Vinyl Maintenance and Cleaning

Correct Craft has selected the finest marine grade vinyl for your Nautique. It is important to keep it clean at all times. There are some substances that will stain the vinyl if you leave them on for even a short period of time. Remove any contaminant and clean the area immediately. DO NOT use Formula 409® Cleaner or any silicone based products. Certain household cleaners, powdered abrasives, steel wool, industrial cleaners, dry cleaning fluids and lacquer solvents can cause damage and discoloration. DO NOT use these cleaners.

2  
D  
C  
C  
T  
I  
O  
N  
E



# Section 8

---



Common stains and steps to treat:

	Step #1	Step #2	Step #3
Chewing gum	D	A	D then A
Eye shadow	E	B	E then B
Engine oil	B	B	B
Spray paint	C	B	B
Mildew or wet leaves *	D	B	A
Shoe polish *	A	B	
Yellow mustard	D	B	
Oil based paint (fresh)	D	B	
Oil based paint (dried)	A	B	
Suntan lotion *	D	B	
Tar/Asphalt	A	B	
Lipstick	A	B	
Latex paint	A	B	
Crayon	D	B	
Ketchup	A	B	
Grease	D	B	
Ball-point ink *	E	B	
Permanent marker *	E	B	
Coffee, tea, chocolate	B	B	

Use the chart above to clean common stains:

- A. Medium-soft brush, warm, soapy water/rinse/dry
- B. Meguires Quick Clean #52
- C. One(1) tablespoon ammonia, 1/4 cup hydrogen peroxide, 3/4 cup water rinse/dry
- D. Wipe or scrape off excess (chill gum with ice)
- E. Denatured Alcohol/rinse/dry

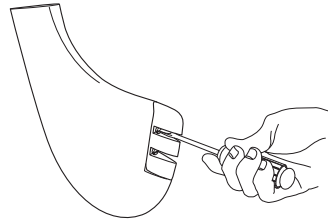
After all cleaning methods, rinse well with water.

\*Suntan lotion, shoe polish, wet leaves and some other products contain dyes that stain permanently.



## Tunable Rudder

The Tunable Rudder\* is designed to offer easy steering adjustment. This system uses a composite tuning foil which is located at the upper aft corner of the rudder blade. Use a Phillips head screwdriver to adjust the foil. Loosen the two screws in the relief slots of the tuning foil.

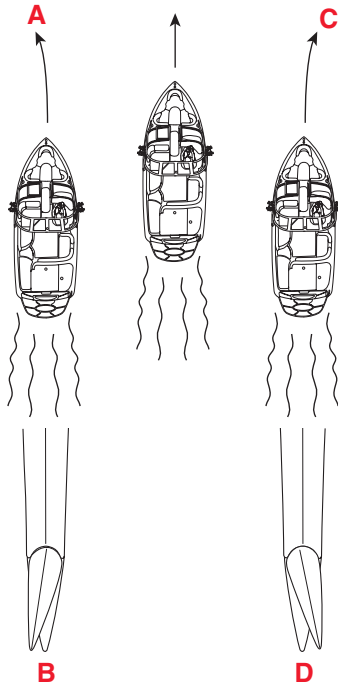


CORC045

If the boat is pulling port (**A**), rotate the foil to port (**B**) and tighten screws. If the boat is pulling starboard (**C**), rotate the foil to starboard (**D**) and tighten screws. Always remember that movement of the trailing edge of the foil to one side will cause the steering to pull to the opposite side.

### NOTICE

*After each adjustment, test run and adjust again if necessary.*



CORC162

\*Manufactured under license from National Products, Inc. U.S. patent 5,746,147.

2  
3  
4  
5  
6  
7  
8  
9  
10  
11  
12  
13  
14  
15  
16  
17  
18  
19  
20  
21  
22  
23  
24  
25  
26  
27  
28  
29  
30  
31  
32  
33  
34  
35  
36  
37  
38  
39  
40  
41  
42  
43  
44  
45  
46  
47  
48  
49  
50

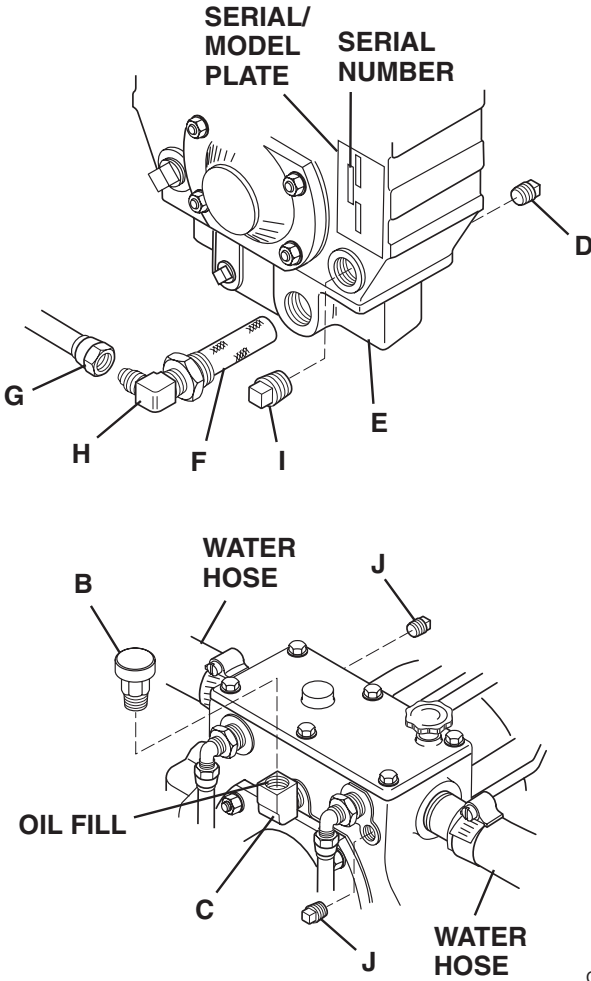






# Care and Maintenance

## Changing Oil



VERTIGUN

Change the oil after the first 100 operating hours, then every 500 hours or once a season. Run the engine and allow the V-Drive to reach its normal operating temperature. Turn the engine OFF.



## Section 8

---



1. Remove the drain plug **(D)** located in the bottom cover **(E)**, opposite the oil strainer **(F)**. Reinstall the drain plug after all the oil has drained.
2. Disconnect the oil hose **(G)** from the strainer elbow **(H)**, but do not remove the elbow.
3. Unscrew the strainer from the elbow and clean the strainer.
  - If the strainer is cleaned with a solvent, allow the strainer to dry before installing.
  - Reinstall the strainer onto the elbow, install the strainer and elbow into the housing and reinstall the oil hose.
4. Remove the two magnetic screw plugs **(I)**, located diagonally opposite, on the housing.
  - Verify the plugs removed are magnetic by placing another metallic object to the plugs. Remove only the magnetic plugs.
  - Clean any debris from the plugs and reinstall them into the holes they were removed from.
  - Refill the housing following **Oil Level Inspection**.

Dispose of used oil in an environmentally safe manner.



# Care and Maintenance

## Transmission-210, 211, 220 and 236



### WARNING

**Burn hazard from hot transmission fluid can cause serious injury. Do not remove the transmission drain/fill plug while the engine is running or while the transmission is hot.**

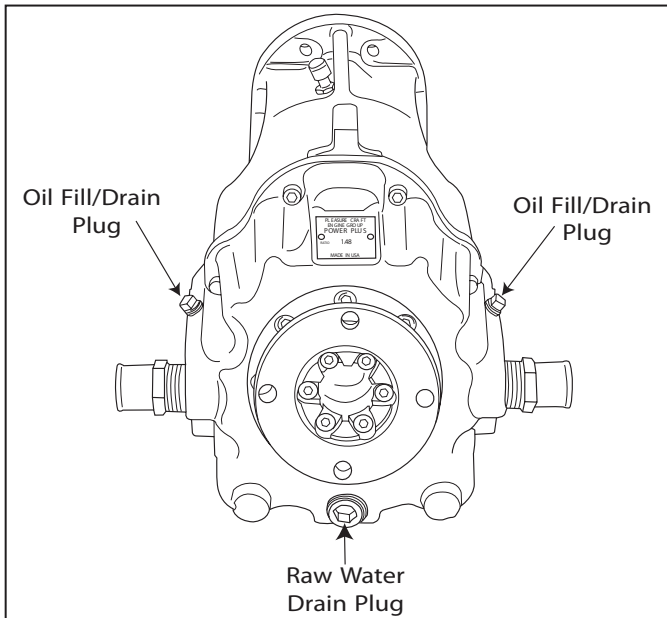
Allow the transmission to cool and check with the boat level.

1. Remove the drain/fill plug from the transmission.
2. Verify the fluid level; the fluid level should be at the bottom of the threaded hole. If low, add the specified fluid through the threaded hole to the proper level.

### NOTICE

*The transmission fluid is a very high viscosity, to make adding fluid easier, remove both fill plugs.*

3. Replace the drain/fill plug and tighten securely.

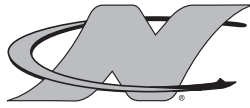


CORC210

2  
3  
4  
5  
6  
7  
8  
9  
10  
11  
12  
13  
14  
15  
16  
17  
18  
19  
20  
21  
22  
23  
24  
25  
26  
27  
28  
29  
30  
31  
32  
33  
34  
35  
36  
37  
38  
39  
40  
41  
42  
43  
44  
45  
46  
47  
48  
49  
50







## **Section 9**

# **Troubleshooting**

The following chart will assist you in finding and correcting minor problems with your Correct Craft boat. Refer to your engine operation and maintenance manual for more detailed information for any problem concerning the starting, shifting or operation of the engine.

Some problems may require the skills of a trained technician and special service tools. Please contact your Correct Craft dealer for assistance.

## Trouble Check Chart

### Performance

Symptom	Possible Cause
Starter motor will not operate	• Shift handle not in NEUTRAL
	• Battery Selector switch OFF
	• Battery and electrical connection loose or corroded
Engine will not start	• Emergency stop switch not in place
	• Starting procedure not followed
	• Fuel tank empty
Poor boat performance	• Contaminated fuel
	• Clogged fuel filter
	• Uneven load distribution
	• Improper propeller selection
	• Marine growth on hull
	• Engine problem
Poor gas mileage	• Marine growth on hull
	• Engine problem
Excessive vibration	• Damaged or fouled propeller
	• Misaligned propeller shaft coupling
	• Bent propeller shaft
	• Engine problem
Engine runs but boat makes little or no progress	• Fouled or damaged propeller
	• Engine problem
Steering problem	• Corroded steering cable
	• Rudder worn
Throttle/shifting problems	• Corroded cables
	• Defective throttle return spring
	• Low transmission fluid level
	• Sticking transmission shift lever

# Troubleshooting

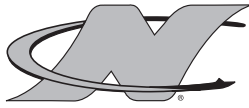
## Electrical

Symptom	Possible Cause
Electrical problem	• Open circuit breaker or blown fuse
	• Loose wiring connection
	• Defective switch or gauge
Dim or no lights	• Open circuit breaker tripped or in OFF position
	• Battery discharged
	• See Page 4-30





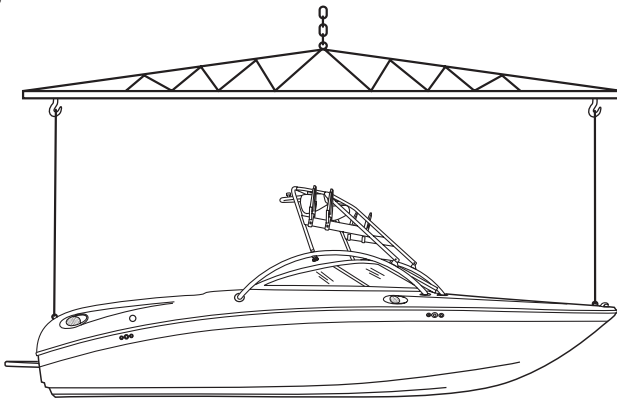




## Section 10 Storage

### Lifting Rings

Your boat has lifting rings at the bow and at the stern. These are designed to lift your boat in a steady and secure manner. The winch, hooks and other components of the lifting mechanism have sufficient capacity sufficient for your boat. Refer to Section 3 Specifications. The weights listed in the specifications are dry weight. You must add the weight of the battery, fuel and gear to the dry weight.



CORC060

#### **CAUTION**

**Drain the bilge and / or launch control system and/or aftermarket water bladder(s) to eliminate excess water before you lift the boat.**

#### **NOTICE**

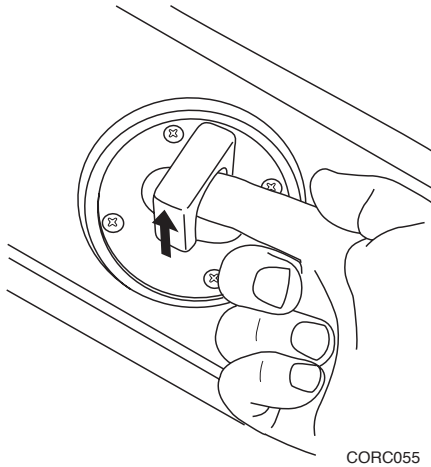
*Only use a hook that will pass easily through the lifting ring without binding. A hook that is too large or off-center could break the lifting ring. DO NOT use a sling to lift the boat. Damage to your boat can occur.*

## Section 10

---

### Retractable Lifting Ring

The re-tractable lifting eye can be used for lifting your boat.



### Winterizing Your Boat

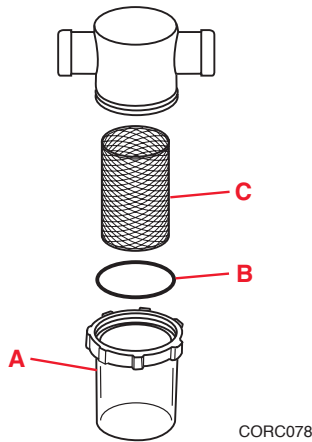
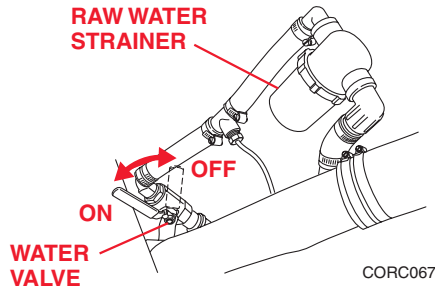
Winter storage procedures vary depending on climate, type of storage and length of storage. Check with your dealer/storage facility manager for their advice on what works best in your climate. Winterization functions are best performed by your Correct Craft dealer. Refer to your engine operation and maintenance manual for more information.

When storing your boat up on a rack system, it is important the racks adequately support the hull bottom.

If you do not have a trailer, support the boat like a Correct Craft dealer recommended trailer. It is important to have an even weight distribution.

If you do not have a dealer or marina nearby and must arrange winter storage yourself, contact your regional warehouse.

If you use a mooring cover, **DO NOT** put it on when the interior of the boat is wet and/or hot. It will trap moisture and lead to mildew on the carpet and/or vinyl. Make sure your mooring cover allows air to circulate, even if you have to leave a portion of the cover off.



The raw water strainer bowl (A) remains full of water even after the rest of the engine cooling water system is drained. To properly winterize your boat, the strainer bowl must be removed and emptied. **DO NOT lose the rubber O-ring (B) that seals the bowl to the cap.** Clean screen (C) if required. If the water is not removed, the bowl can be damaged. A damaged strainer can cause overheating problems during the next season.

# Check For Water In Your Fuel System

A small amount of water left in the fuel system for several months can result in damage to the fuel system and engine. If you are storing your boat for the winter, it is a good practice to remove any water in the fuel system.

The Fuel Control Cell can be drained by removing the drain plug at the bottom of the canister.

1. Loosen the return fuel hose to provide an incoming air source.
2. Clamp the return fuel line some way to minimize the amount of fuel that may drain.
3. Once the canister is drained, coat the threads of the drain plug with a fuel resistant pipe thread sealer, then replace and tighten the plug.
4. Reconnect the fuel hose, and tighten the hose clamp. The threads must be sealed properly to avoid a possible fuel leak.

Check your Fuel Control Cell once each year for signs of water in the canister. If it appears there is water buildup in the canister, see your Correct Craft dealer for service.

An empty fuel tank can accumulate water inside by changing temperature and repeated cycles of condensation on the inner surfaces of the tank. If the fuel tank is kept at about 3/4 full during storage, less water can condense, limiting the buildup of water in the fuel tank.

Fill the tank to 3/4 full maximum during storage to eliminate the possibility of fuel expansion problems caused by temperature changes. This minimizes overflow of fuel from the fuel vent. Not only can this overflow be hazardous, but it will also adversely affect decals and pin striping on the boat.

Add a good quality fuel stabilizer to the fuel prior to winterizing to slow down the rate of fuel decomposition. You can purchase a fuel stabilizer at your servicing dealer, most marinas or an auto supply store. Add the stabilizer to the tank.

If you did not add the stabilizer previously, run the engine to circulate fuel throughout the system. Remember, always follow the fuel stabilizer manufacturer's recommendations for proper mixing.

## NOTICE

*Gasoline expands when the temperature increases. Never store your boat with more than 3/4 of a tank.*

Refer to the engine's owner's manual for winterization of the engine.

## Winterizing Ballast Tanks (if equipped)

### NOTICE

*It is extremely important to protect the Flight Control System during freezing temperatures and during long periods of non-use. When following this procedure, remember to protect our natural resources by using environmentally friendly products; and to always discard in an environmentally friendly manner.*

1. Make sure your boat is out of the water, the tanks are completely drained and the tank water intake/drain valves are open.
2. Use a 50/50 mixture of an environmentally friendly antifreeze and fresh water.
3. Pour an even amount, approximately 1 gallon (3.8 liters) of the antifreeze mixture into each tank's vent.
4. Place a container under the intake/drain of the tank you are winterizing to catch any spilled mixture.
5. Operate the pump in the drain mode for two seconds and shut off. Repeat procedure for other tank(s).
6. Close the tank's water intake/drain valves.

When returning your boat back to service, drain the remainder of the mixture before getting onto the water.



## Trailer/Trailer

### Hitch

If you do not already have a trailer hitch installed on your vehicle, go to a reputable hitch company to have the proper size hitch installed. Always use a hitch rated with the appropriate capacity to match the trailer and boat's gross weight.



#### **WARNING**

**Loss of control can cause death or serious injury. DO NOT attempt to tow more than one trailer at a time behind your vehicle. Attempting to tow an additional trailer will adversely affect the trailer tongue weight.**

#### **CAUTION**

**DO NOT use a bumper mounted hitch on your vehicle. Use a hitch that is attached to the frame of your vehicle only. DO NOT compromise your equipment, your safety or the safety of others.**

### Wiring

The trailer requires wiring from your vehicle to the trailer lights. This can usually be done by the hitch company.

### Security

There are several locking devices available at marine supply stores to aid in securing your boat whether or not it is attached to your vehicle.

## Towing Your Boat

Read this checklist prior to trailering your boat.

- Check wheel lug nuts for tightness.
- Be sure the trailer tongue is securely on the hitch and the safety chains from the trailer are secured to the vehicle.
- If your boat is equipped with a trailer bow winch, make sure the boat is properly located on the trailer and the winch strap/cable is tight.
- Be sure a cable or strap secures the bow eye of the boat to the trailer. Make sure this is tightly secured.
- Be sure the trailer electrical connector is plugged in. Allow sufficient slack for cornering. Check brake lights, turn signals, emergency flasher and running lights.
- Be sure your gear inside the boat and seat cushions cannot shift or fly out of the boat during trailering.
- Be sure the walk-thru door of the windshield is closed and latched while the boat is being trailered.
- If you are using any sort of water "ballast" system to add weight to the boat, be sure it is drained before you put the boat on the trailer. These systems can adversely affect the tongue weight of the trailer. Your boat is not designed to carry exceptionally heavy loads. This can adversely effect the proper balance of the boat/trailer combination and cause tire failure and/or loss of control.
- Make sure the platform bracket pins are in place before trailering.
- Remove bilge drain plug(s).

## Long Trips

DO NOT use your boat and trailer to haul excessive gear.

Each time you stop on a long trip, check the following:

- Make sure the wheel lug nuts are tight and the bearings are lubricated.
- Make sure the boat is still positioned snugly against the bow stops and has not shifted.





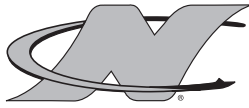
## Section 10

---



- Examine the hitch connection to be sure it is firmly attached and the safety pin and chains are securely fastened.
- Make sure all trailer lights are still functioning properly.
- Re-examine the contents of your boat to ensure that no items such as life jackets or other gear have shifted and will not fly out while you are on the road.





## Glossary

**ABYC** – American Boat and Yacht Council, Inc.

**AFLOAT** – On the water.

**AFT** – Toward the rear or stern of the boat.

**AGROUND** – Touching bottom.

**AMIDSHIP** – Center or middle of the boat.

**ANCHOR** – (1) An iron casting shaped to grip the lake bottom to hold the boat. (2) The act of setting the anchor.

**ANODE** – An electrode carrying a positive charge

**ASHORE** – On the shore.

**ASTERN** – Toward the stern.

**BAIL** – To remove water from the bottom of the boat with a pump, bucket, sponge, etc.

**BALLAST** – Any solid or liquid weight placed in a boat to increase the draft, to change the trim.

**BEAM** – The widest point on the boat.

**BEARING** – Relative position or direction of an object from the boat.

**BILGE** – The lowest interior section of the boat hull.

**BOARDING** – To enter the boat.

**BOUNDARY WATERS** – A body of water between two areas of jurisdiction; i.e., a river between two states.

**BOW** – The forward end of the boat

**BULKHEAD** – Vertical partition (wall) in a boat.

**BUNKS** – Carpeted trailer hull supports.

**BURDENED BOAT** – Term for the boat that must "give-way" to boats with the right-of-way.

**CAPACITY PLATE** – A plate that provides maximum weight capacity and engine horsepower rating information. It is located in full view of the helm.

**CAPSIZE** – To turn over.



**CAST-OFF** – To unfasten mooring lines in preparation for departure.

**CATHODE** – An electrode carrying a negative charge

**CAVITATION** – A phenomenon in which low pressure within a liquid allows vapor bubbles to form

**CENTER LINE** – A lengthwise imaginary line which runs fore and aft with the boat's keel.

**CHINE** – The point on a boat where the side intersects (meets) the bottom.

**CLEAT** – A deck fitting with ears to which lines are fastened.

**CONSOLE** – Also called helm. The steering wheel area of the boat.

**CRANKING BATTERY** – The main battery used for engine starting and electrical circuits.

**CURRENT** – Water moving in a horizontal direction.

**DEADRISE** – Transverse angle of the bottom of the hull.

**DECK** – The open surface on the boat where the passengers walk.

**DRAFT** – The depth of the boat below the water line, measured vertically to the lowest part of the hull.

**ELECTROLYSIS** – The break-up of metals due to the effects of galvanic corrosion.

**FENDER** – Devices built into or hung over the sides of a boat to prevent the boat from rubbing or chafing against other boats or piers.

**FORE** – Toward the front or bow of the boat. Opposite of aft.

**FREEBOARD** – The distance from the waterline to the upper surface of the side of the deck.

**FUEL SENDING UNIT** – The electrical device that is mounted on the outside of a built-in fuel tank and controls the dashboard fuel gauge.

**GIVE-WAY BOAT** – (1) Term for the boat that must take whatever action necessary to keep well clear of the boat with the right-of-way in meeting or crossing situations. (2) The burdened boat.

**GUNWALE** – The rail or upper edge of a boat's side.

**HEAD** – A marine toilet.

**HELM** – The steering wheel or command area.

**HULL** – The structural body of a boat below the deck.

**HYPOTHERMIA** – A physical condition where the body loses heat faster than it can produce it.

**IN-LINE FUSE** – A type of protective fuse located in the power wire of a direct current (DC) circuit usually near the battery.

**KEEL** – The lowest portion of the boat; extends fore and aft along the boat's bottom.

**LINE** – All rope in a boat or on the dock is referred to as "line."

**LIST** – Leaning or tilt of a boat toward the side.

**MAKING WAY** – Making progress through the water.

**MARINE CHART** – Seagoing maps showing depths, buoys, navigation aids, etc.

**MID SHIP (AMIDSHIP)** – In the vicinity of the mid-length of a boat, technically the exact half way between the bow and the stern.

**MOORING** – An anchor, chain, or similar device that holds a boat in one location.

**NAVIGATION AID** – Recognizable objects on land or sea such as buoys, towers or lights which are used to fix position to identify safe and unsafe waters.

**NMMA** – National Marine Manufacturer's Association

**NO-WAKE SPEED** – The speed at which a boat travels to produce an imperceptible wake.

**PFD** – Personal flotation device.

**PITOT TUBE** – See SPEEDOMETER PICKUP TUBE.

**PLANING HULL** – A hull designed to lift, thereby reducing friction and increasing efficiency.

**PORPOISE** – A condition in which the bow bounces up and down caused by trimming the engine too far out.

**PORT** – (1) The left side of a boat when facing the bow. (2) A destination or harbor.

**PRIVILEGED BOAT** – Term used for the boat with the right-of-way.

**PROPELLER PITCH** – Theoretical linear distance the propeller would move ahead during one complete revolution of it were turning with zero slippage.

**RIGHT-OF-WAY** – Term for the boat that has priority in meeting or crossing situations. The stand on or privileged boat.

**RUB RAIL** – The rubber extrusion that is fastened over the hull and deck joint.



**RUDDER** – A vertical metal device used to steer the boat

**RULES OF THE ROAD** – Regulations for preventing collisions on the water.

**SACRIFICIAL ANODE** – Metal parts fitted to the hull of boat to provide a transfer of ions to the cathodic part of an electrolytic coupling and so protect other parts of the boat that would otherwise waste away through electrolysis

**SLIP** – The linear distance between the pitch (or advance) and the actual distance the propeller moves straight ahead through the water.

**SPEEDOMETER PICKUP TUBE** – Also called pitot tube. The plastic device that extends below the bottom of the boat. It connects to the speedometer with plastic flexible tubing.

**SPRING LINE** – A mooring rope oriented at a small angle to the boats centerline, usually attached to the boat mid ship.

**STAND ON BOAT** – Term for the boat that must maintain course and speed in meeting or crossing situations. The privileged boat.

**STARBOARD** – The right side of the boat when looking towards the bow.

**STERN** – The aft end of a boat.

**STOW** –To put away. To store cargo in a storage locker.

**STRINGER** – Members under the floor that stiffen the hull bottom.

**SURGE BRAKES** – A type of trailer braking system designed to automatically actuate when the tow vehicle's brakes are applied.

**TRANSDUCER** – The unit that sends/receives signals for the depth sounder.

**TRANSOM** – The transverse beam across the stern.

**TRIM** – Fore to aft and side to side balance of the boat when loaded.

**UNDERWAY** – Boat in motion; i.e., not moored or anchored.

**USCG** – United States Coast Guard

**VISUAL DISTRESS SIGNAL** – A device used to signal the need for assistance such as flags, lights and flares.

**WAKE** – The waves that a boat leaves behind when moving through the water.

**WATERLINE** The line of the water's edge when the boat is afloat.

**WATERWAY** – A navigable body of water.

**WETTED SURFACE** – The area of the immersed hull plus underwater gear.



## Warranty

# CORRECT CRAFT LIMITED WARRANTY

(Boats as Originally Manufactured by Correct Craft)

The Correct Craft warranty is backed by a family tradition of boat building experience since 1925.

### **Lifetime Limited Warranty:**

Correct Craft, Inc. warrants to the original user or purchaser, whoever comes first, of each new Correct Craft boat, that the deck, hull, and stringer system as originally manufactured by Correct Craft, shall under normal authorized use remain free from structural defect in material and workmanship.

### **Transferable Lifetime Limited Warranty:**

In addition, Correct Craft offers a Transferable Lifetime Limited Warranty against structural defect of the deck, hull and stringer system as detailed in the Lifetime Limited Warranty above. This policy may be transferred for a nominal fee to the second (2nd) purchaser during a period of five (5) years from the date of delivery to the original user or purchaser. See owner's manual for proper form.

Exception: The "Lifetime" and "Transferable" warranties do not cover the gelcoat nor any other components fastened or applied to the hull or deck. Gelcoat discoloration, blisters, or bubbles and cracks are not considered structural defects.

2007  
CORRECT CRAFT  
CORPORATION

---

## Boat Five (5) Year Transferable Limited Warranty:

Correct Craft, Inc. warrants to the original user or purchaser, whichever comes first, that each new Correct Craft boat, as **originally manufactured by Correct Craft**, shall under normal authorized use be free of defect in material and workmanship for a period of five (5) years from the date of delivery. This coverage applies to **factory-installed components** including V-drive, boat parts, options, or other components not manufactured by Correct Craft, Inc. The remaining portion of this warranty covering PARTS (no labor), may be transferred for a nominal fee to the second (2nd) purchaser during a period of five (5) years from the date of delivery. See owner's manual for proper form.

## Gel Coat Three (3) Year Non-transferable Limited Warranty:

Correct Craft, Inc. warrants to the original user or purchaser, whichever comes first, of each new Correct Craft boat that the gel coat, under normal authorized use, shall remain free from defect in material and workmanship (including blisters and cracks not caused by negligence, impact or collision) for a period of three (3) years from date of delivery. NOTE: gel coat maintenance is the owner's responsibility.

## Engine Warranty:

For details see Pleasurecraft Marine Engine Co. owner's manual.

**Exceptions:** This "Correct Craft Limited Warranty" shall not apply to...

- Any Correct Craft boat which has been used at any time for commercial or racing purposes, as a demonstrator or in a promotional program, ski school or ski show.
- Normal maintenance of boat, or any component thereof, including but not limited to alignment, adjustments, connectors, saltwater/brackish water corrosion, and wear items including, but not limited to, non-skid material, battery, bushings, packing material, bulbs, seals, gaskets.
- Gelcoat finish or colorfastness of gelcoat finish, chrome plated, anodized or aluminum finish or colorfastness of finish.

- Damage or malfunction of a boat, or any component thereof, resulting from owner use, lack of maintenance, improper maintenance, impact, misuse, negligence, collision, delay of repair (unless specifically and directly authorized by the Correct Craft warranty department in writing), trailer or trailer design, improper or inadequate trailering or cradling of the boat.
- Any addition, modification or repair of the boat, or any component thereof, caused by, resulting from or in connection with any party other than Correct Craft, Inc., or any defect or product failure caused by, resulting from or in connection with any such addition, modification or repair.
- **Any and all consequential damages including, but not limited to, costs incurred for haul-out, launching, towing, and storage charges, telephone or rental charges of any type, inconveniences, or loss of time or income.**

Any defect or damage covered by this warranty shall, at the discretion of Correct Craft, Inc., be repaired free of charge at an authorized dealership or service facility. Repairs will be warranted only for the remainder of the original warranty period. Transportation and/or labor to and from the point of repair will be the responsibility of the owner.

THERE ARE NO WARRANTIES WHICH EXTEND BEYOND THE DESCRIPTION OF THE FACE HEREOF. THIS LIMITED WARRANTY IS EXPRESSLY MADE IN LIEU OF ALL OTHER EXPRESSED WARRANTIES. DURATION OF ANY IMPLIED WARRANTY OF MERCHANTABILITY OR FITNESS FOR A PARTICULAR PURPOSE OR OTHERWISE, SHALL BE LIMITED TO AND COINCIDENT TO THE DURATION OF THESE EXPRESSED WARRANTIES. UNDER NO CIRCUMSTANCES SHALL CORRECT CRAFT, INC. BE LIABLE TO THE PURCHASER OR ANY THIRD PARTY FOR LOSS OF PROFITS OR OTHER DIRECT OR INDIRECT COSTS, LOSSES OR CONSEQUENTIAL DAMAGES ARISING OUT OF OR AS A RESULT OF DEFECTS IN PRODUCTS HEREIN ABOVE WARRANTED.

2  
3  
4  
5  
6  
7  
8  
9  
10  
11  
12





---

**WARRANTY** Some states do not allow limitations on how long an implied warranty lasts. Some states do not allow the exclusion or limitation of incidental or consequential damages. This warranty gives you specific legal rights, and you also have other rights which may vary from state to state. To the extent that your state does not allow any exclusion or limitation expressed herein, such exclusion or limitation will not apply to you. All other allowable limitations or exclusions shall apply to you.

**Note:** This warranty is expressly conditioned upon the completion and return of the warranty registration card to Correct Craft, Inc. Although not obligated to and without creating such an obligation, this will enable us to notify you of any necessary performance or safety modifications to your boat and to verify ownership in case a warranty claim is filed on your boat.

**Procedure:**

In the event your Correct Craft boat has a claim covered by this warranty, the following procedure shall be allowed to secure performance of warranty obligations:

- 1. Notify the selling dealer in writing within thirty (30) days after the discovery of any claimed defect.**
2. You may be required to transport the boat, at your expense, to an authorized dealership or service facility for their inspection and/or repair.
3. Correct Craft, Inc. reserves the right to require further evaluation and/or information regarding a warranty claim against a boat prior to its repair as well as designate the place of repair.

Correct Craft, Inc. reserves the right to make changes in prices, color, specifications, equipment, options, materials, hull, decks, and/or discontinue models at any time (without notice), and shall be under no obligation to equip or modify boats built prior to such changes.

Correct Craft, Inc. 14700 Aerospace Parkway, Orlando, Florida 32832. 407/855-4141, FAX 407/851-7844, E-mail address: [ski@skinautique.com](mailto:ski@skinautique.com). Effective 2006, 2007 Model boats.





## REQUEST FOR TRANSFER OF WARRANTY ON PARTS

**\*\* A COPY OF THE PURCHASE RECEIPT MUST BE INCLUDED \*\***

At Correct Craft, Inc.'s discretion, the remaining portion of the Correct Craft Inc "Boat Five (5) Year Transferable Limited Warranty" of 2006/2007 model boats, that covers parts (no labor), can be transferred for \$300.00 to the second purchaser within five (5) years from the date of sale to the first purchaser. The sale must be complete within the first five years. The limited warranty on parts (no labor) will be transferred upon the receipt and verification of: (1) this completed form, (2) a copy of the purchase receipt, (3) a payment of \$300.00 to "Correct Craft, Inc". This data **MUST BE RECEIVED WITHIN 15 DAYS OF THE SALE DATE**. The warranty will be transferred retroactive to the sale date. Review the warranty policy for details.

**NOTE: THIS TRANSFER DOES NOT INCLUDE THE ENGINE.**

ORIGINAL OWNER \_\_\_\_\_

BOAT MODEL/TYPE \_\_\_\_\_

HULL NUMBER / CTC... \_\_\_\_\_

### **NEW OWNER INFORMATION:**

NAME \_\_\_\_\_

STREET / P.O. BOX \_\_\_\_\_

CITY / STATE / ZIP CODE \_\_\_\_\_

**DATE PURCHASED**     \_\_\_\_ / \_\_\_\_ / \_\_\_\_     **PHONE NO.**

THE CRITERIA LISTED ABOVE **MUST** BE RECEIVED WITHIN 15 DAYS OF THE SALE DATE. SUBMIT IT TO CORRECT CRAFT, INC., 14700 AREOSPACE PARKWAY, ORLANDO, FLORIDA 32832, "ATTENTION WARRANTY DEPARTMENT."

**NOTE: Upon verification, the warranty will transfer retroactive to the sale date**

2006-2007





REQUEST FOR WARRANTY TRANSFER OF HULL, DECK, AND STRINGER

**\*\*A COPY OF THE PURCHASE RECEIPT MUST BE INCLUDED \*\***

At Correct Craft, Inc.'s discretion, Correct Craft's Lifetime Limited Warranty against structural defects in material and workmanship of the hull, deck, and stringer for 2006/2007 model boats can be transferred, for a nominal fee, to the second purchaser within five (5) years from the date of sale to the first purchaser. The sale must be complete within the first five years. The limited warranty will be transferred upon the receipt and verification of: (1) this completed form, (2) a copy of the purchase receipt, (3) a payment of \$300.00 to "Correct Craft, Inc.". This data **MUST BE RECEIVED WITHIN 15 DAYS OF THE SALE DATE**. The warranty will be transferred retroactive to the sale date. Review the warranty policy for details.

**NOTE: THIS TRANSFER DOES NOT INCLUDE THE ENGINE.**

ORIGINAL OWNER \_\_\_\_\_

BOAT MODEL/TYPE \_\_\_\_\_

HULL NUMBER / CTC... \_\_\_\_\_

**NEW OWNER INFORMATION:**

NAME \_\_\_\_\_

STREET / P.O. BOX \_\_\_\_\_

CITY / STATE / ZIP CODE \_\_\_\_\_

DATE PURCHASED \_\_\_\_ / \_\_\_\_ / \_\_\_\_ PHONE # \_\_\_\_\_

THE CRITERIA LISTED ABOVE **MUST BE RECEIVED WITHIN 15 DAYS OF THE SALE DATE**. SUBMIT IT TO CORRECT CRAFT, INC., 14700 AEROSPACE PARKWAY, ORLANDO, FLORIDA 32832, "ATTENTION WARRANTY DEPARTMENT."

**NOTE: Upon verification, the warranty will transfer retroactive to the sale date**



## NAUTIQUE SERVICE CENTERS

**Mid Atlantic Correct Craft**  
**Route 30, Box 188**  
**Speculator, NY 12164**  
**518/548-9763**

Connecticut  
Delaware  
District of Columbia  
Maine  
Maryland  
Massachusetts  
New Hampshire  
New Jersey  
New York  
Pennsylvania (Eastern)  
Rhode Island  
Vermont  
Virginia

**Midwest Correct Craft**  
**P.O. Box 216**  
**Angola, IN 46703**  
**260/833-2226**

Illinois  
Indiana  
Iowa  
Kansas  
Kentucky  
Michigan  
Minnesota  
Missouri  
Nebraska  
North Dakota  
Ohio  
Pennsylvania (Western)  
South Dakota  
West Virginia  
Wisconsin

**Southwest Correct Craft**  
**22450 FM RD 1995**  
**Lindale, TX 75771**  
**903/882-8593**

Arkansas  
Louisiana  
Oklahoma  
Texas

**Southeast Correct Craft**  
**14700 Aerospace Parkway**  
**Orlando, FL 32832**  
**407/851-1965**

Alabama  
Florida  
Georgia  
Mississippi  
North Carolina  
South Carolina  
Tennessee

**West Coast Correct Craft**  
**11340 White Rock Rd., Suite A.**  
**Rancho Cordova, CA 95742**  
**916/638-3382**

Alaska  
Arizona  
California  
Colorado  
Hawaii  
Idaho  
Montana  
Nevada  
New Mexico  
Oregon  
Utah  
Washington  
Wyoming

2  
E  
C  
C  
T  
R  
I  
C  
O  
R  
D  
O  
V  
A



If, for any reason your nearest dealer or the warehouse servicing your territory cannot satisfactorily resolve your problem or answer your questions, then please feel free to contact our Customer Service Department at the main offices of Correct Craft, Inc., either by telephone or by mail.

### Dash Plaque Order Form

Custom dash plaques are available for your Nautique. Please check off the shape that matches the year of your boat and mail completed form along with your payment to:

**Correct Craft, Inc (Attn: Sales Department)**  
**6100 S. Orange Ave., • Orlando, FL 32809**

**Method of payment:**

Check     Money Order     Credit Card Type: (Visa or MC only) \_\_\_\_\_

Card Number: \_\_\_\_\_ Exp. Date: \_\_\_\_\_

**Desired Saying:** (Please Print) \_\_\_\_\_

**Hull Number:** \_\_\_\_\_

**Check Appropriate Model Year:**

**Please Note:** The 1992 Barefoot Nautique does not have a Dash Plaque.

**\$6.00** Model Year: 2007 - 210 & 236 only  
 (Max. # of characters: 40)



**\$6.00** Model Year: 2004 - 2007  
 (Max. # of characters: 20)



**\$6.00** Model Year: 2003  
 (Max. # of characters: 26)



**\$6.00** Model Years: 2000 - 2002  
 (Max. # of characters: 22)

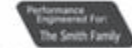


**\$15.00** Model Years: 1998 - 1999  
 (Max. # of characters: 22)



*Please note: This shape is used on the 1987 Ski Nautique*

**\$15.00** Model Years: 1990 - 1997  
 (Max. # of characters: 20)



*Please note: If ordering a plaque for a 1987 Ski Nautique, order the shape for Model years 1990 - 1999*

**\$15.00** Model Years: 1987 - 1989  
 (Max. # of characters: 18)



**Plaque will be shipped to:** (Please Print)

Name: \_\_\_\_\_

Address: \_\_\_\_\_

City: \_\_\_\_\_ State: \_\_\_\_\_ Zip: \_\_\_\_\_

*Allow 4 to 6 weeks for the custom plaque order to be processed, made and shipped.*





CORRECT CRAFT, INC.

14700 Aerospace Drive • Orlando, Florida 32832 USA

Toll Free: 1-800-346-2092 • Telephone: 407-855-4141 • Fax: 407-851-7844

E-mail: [ski@skinautique.com](mailto:ski@skinautique.com) • [www.nautiques.com](http://www.nautiques.com)

## Free Manuals Download Website

<http://myh66.com>

<http://usermanuals.us>

<http://www.somanuals.com>

<http://www.4manuals.cc>

<http://www.manual-lib.com>

<http://www.404manual.com>

<http://www.luxmanual.com>

<http://aubethermostatmanual.com>

Golf course search by state

<http://golfingnear.com>

Email search by domain

<http://emailbydomain.com>

Auto manuals search

<http://auto.somanuals.com>

TV manuals search

<http://tv.somanuals.com>