

**Contents**

	<b>Page</b>
1 <b>Model Name</b>	4
2 <b>Applicable Monitor</b>	4
3 <b>Regulations</b>	4
4 <b>Speaker Spec</b>	4
4-1      System	
4-2      Impedance	
4-3      Rated Input	
4-4      Maximum Input	
4-5      Sound Pressure Level	
4-6      Rated Frequency Range	
4-7      Crossover Frequency	
4-8      Dimensions	
4-9      Net Weight	
4-10     Material and Color	
4-11     Packing	
5 <b>Environmental Condition</b>	4
6 <b>Serial Number Label</b>	5
7 <b>Accessory Table</b>	5
8 <b>Country of manufacture</b>	5
9 <b>Environmental Regulation</b>	5
10 <b>Characteristics</b>	6
10-1     Sound Pressure Typical Characteristics	
10-2     Impedance Typical Characteristics	
11 <b>Outline Drawing</b>	7
12 <b>Labels</b>	7
13 <b>Package Specifications</b>	8
14 <b>Carton Box Artwork</b>	8
15 <b>Holder</b>	9

**Contents**

**1 Model Name**

SP-P42P1

**2 Applicable Monitor**

P42XP10, P50XP10, P60XP10, P42XC10, P50XC10, P60XP10

**3 Regulations**

UL60950-1:2003, CAN/CSA-C22.2 No.60950-1-03

IEC60950-1:2001, EN60950-1:2001 + A11

UL60065 7th:2003 , CAN/CSA-C22.2 No.60065:03

IEC60065:2001, EN60065:2002

PSE (Denanho)

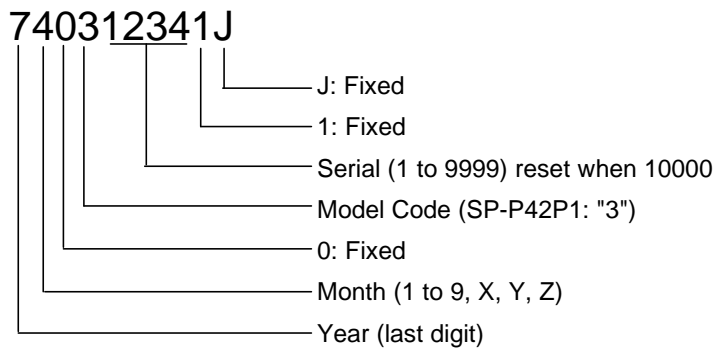
**4 Speaker Spec**

4-1	System	Bass Reflex
4-2	Impedance	
	Rated Impedance	8 ohms
	Minimum Impedance	6.9 ohms (at 20 to 20000 Hz)
4-3	Rated Input	15W
4-4	Maximum Input	40W
4-5	Sound Pressure Level	82dB (1m, 1W)
4-6	Rated Frequency Range	85Hz to 35000Hz
4-7	Crossover Frequency	6000Hz
4-8	Dimensions (W x H x D, each)	80mm x 644mm x 59mm / 3.27" x 25.35" x 2.32" (except Holder)
4-9	Net Weight (each)	1.8 kg / 3.97 lbs
4-10	Material and Color	
	Baffle	PC+ABS, Matte Real Black paint (SB050) (PANETONE Hexachrome Black C)
	Rear Cabinet	PC+ABS, Matte Real Black paint (SB050) (PANETONE Hexachrome Black C)
	Rear Cover	PC+ABS, Matte Real Black paint (SB050) (PANETONE Hexachrome Black C)
	Punching Net	PBT sheet, Matte Real Black paint (SB050) (PANETONE Hexachrome Black C)
	Holder	Steel, Black paint
4-11	Packing	
	Dimensions (W x H x D)	260mm x 720mm x 203mm / 10.24" x 28.35" x 7.99"
	Gross Weight	5.1 kg / 11.24 lbs
	Maximum Stacking	10 Layers

**5 Environmental Condition**

Operation	0 to 40 / 32F to 104F, 20%RH to 80%RH
Storage	-10 to 50 / 14F to 122F, 10%RH to 90%RH

**6 Serial Number Label**



**7 Accessory**

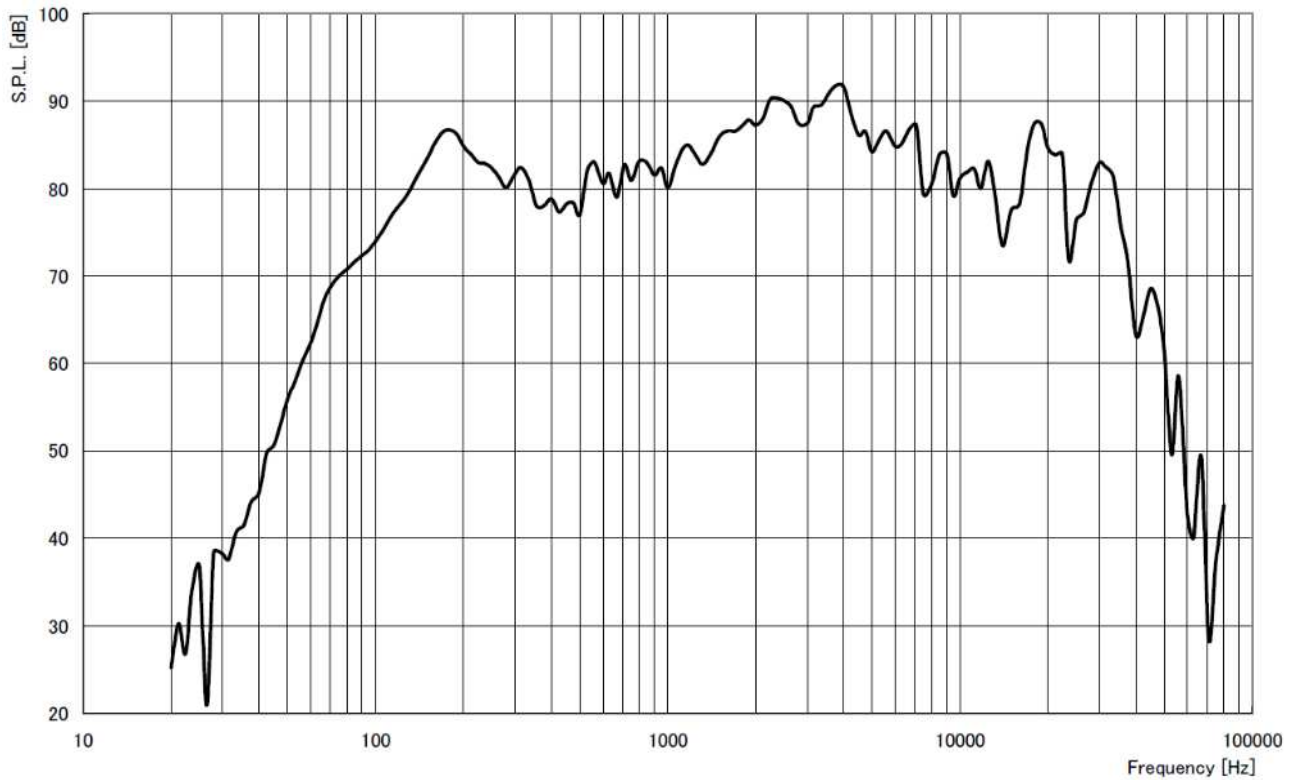
User's Manual	1 pc
Screws	16 pcs.
Speaker Codes (L1500mm)	2 pcs.
Code Clamper	2 pcs.
Cushion	2 pcs.

**8 Country of manufacture** China

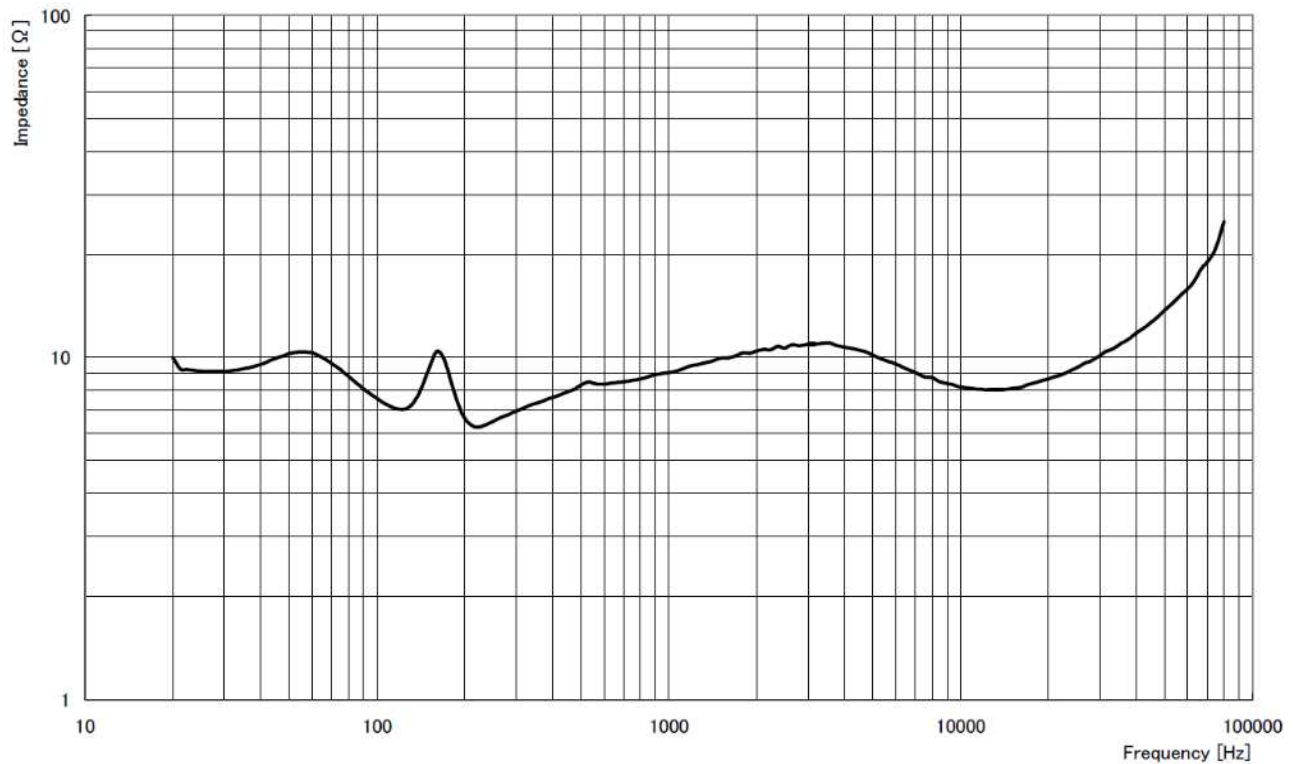
**9 Environmental Regulation** RoHS

10 Characteristics

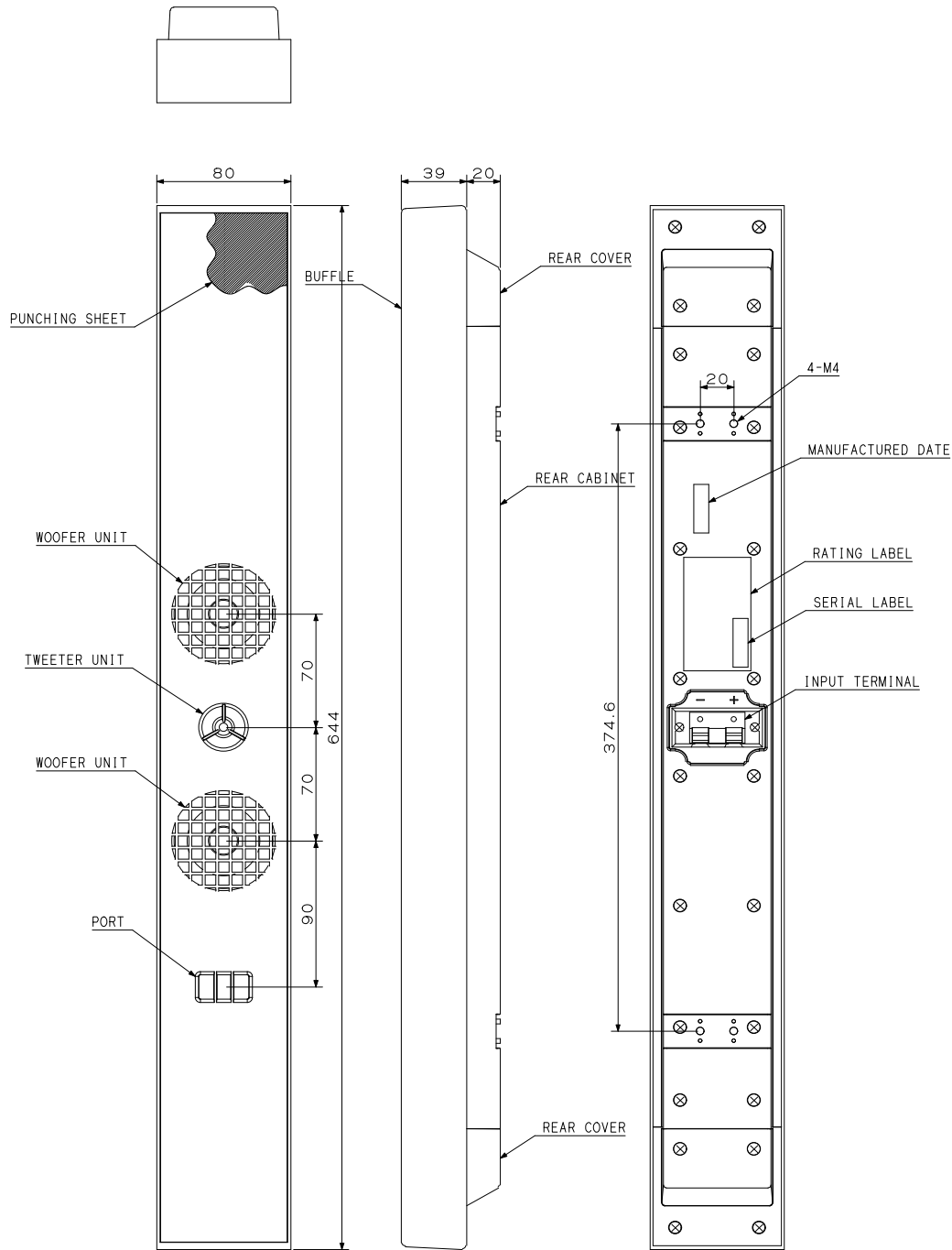
10-1 Sound Pressure Typical Characteristics



10-2 Impedance Typical Characteristics



11 Outline Drawing (unit: mm)



12 Rating Label

**NEC** Serial No. N° de Série  
**15W, 8 Ohm(Ω)**

**SP-P42P1**

---

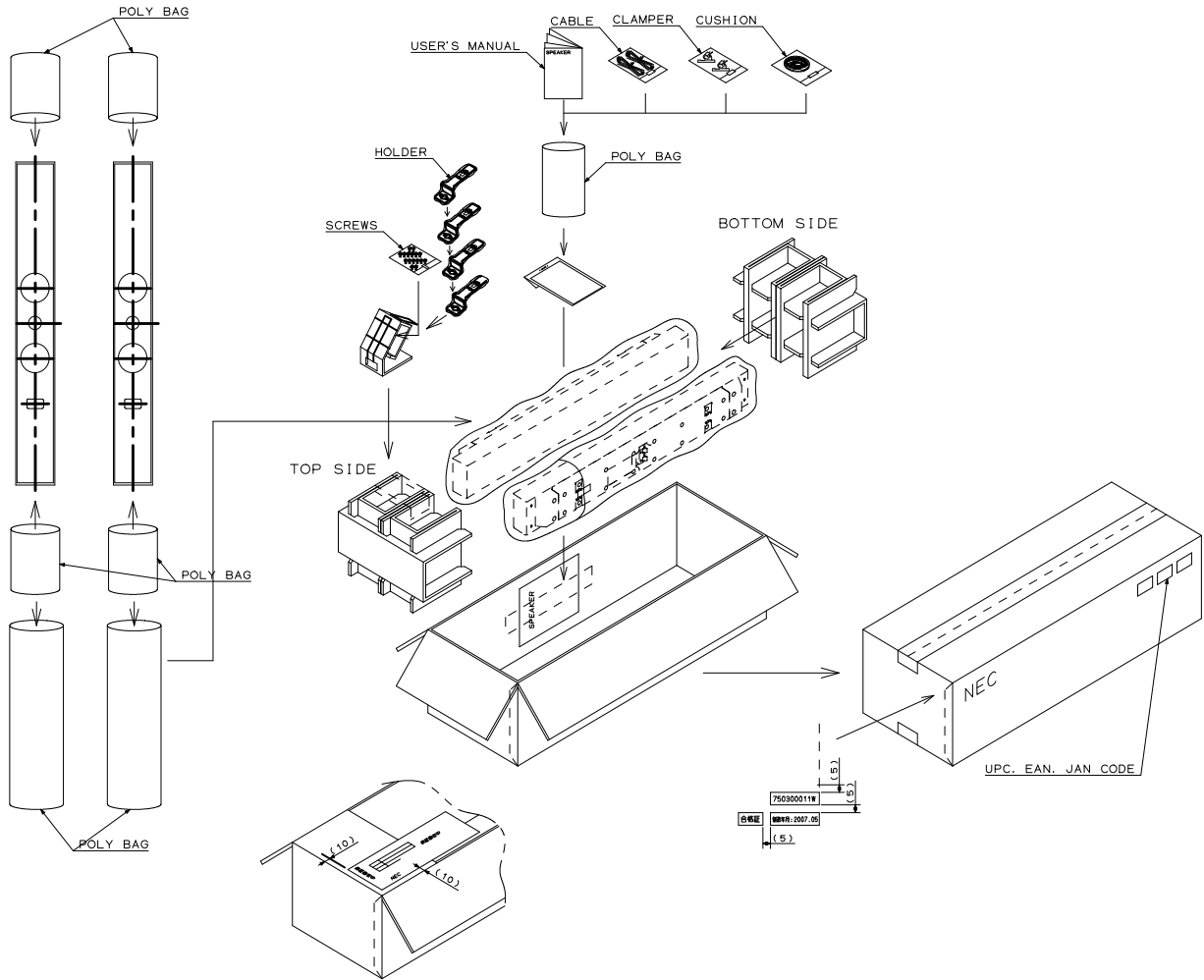
ATTENTION : Do not lift monitor by holding speakers.  
 CAUTION : Monitor may detach causing injury or damage.  
 ATTENTION : Ne soulevez pas le miniteur en tenant des haut-parleurs.  
 AVERTISSEMENT: Le moniteur détacher endommager des dommages ou.

**警告** スピーカーを持ってディスプレイを移動しないでください。ディスプレイが落下してけがの原因になります。



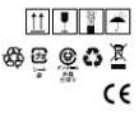
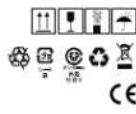
NEC Display Solutions, Ltd.  
 4-13-23 Shibaura, Minato-ku, Tokyo, 108-0023, Japan

MADE IN CHINA  
 FABRIQUÉ EN CHINE

13 Packing Specifications



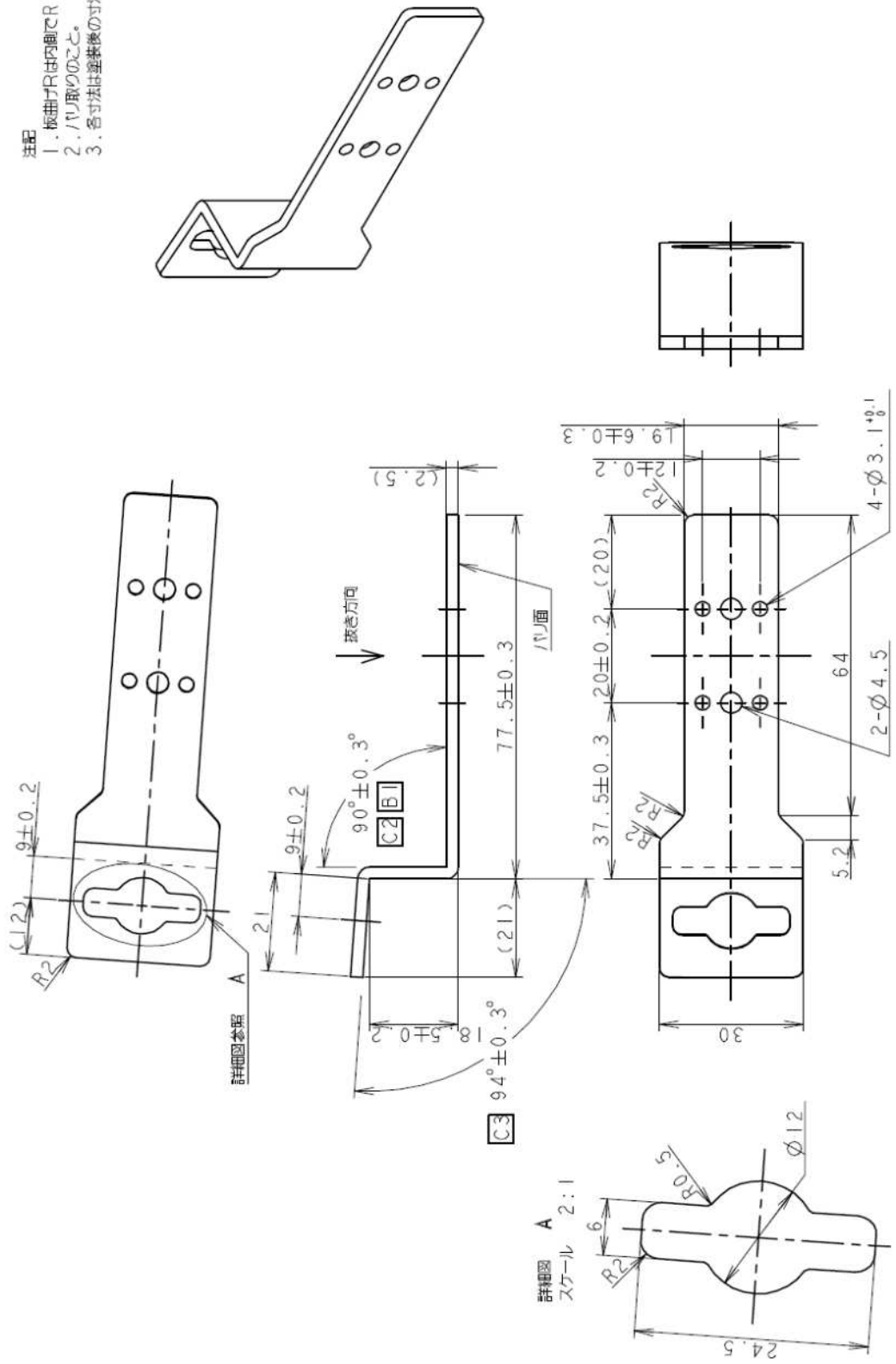
14 Carton Box Artwork

<p><b>NEC</b> SP-P42P1 SPEAKERS HAUT-PARLEUR ALTAVOZ スピーカー 扬声器</p>  <p>HANDLE WITH CARE MANEJE AVEC SOIN MANEJE CON CUIDADO 取扱注意 小心取扱</p>									
<p><b>NEC</b> SP-P42P1 SPEAKERS HAUT-PARLEUR ALTAVOZ スピーカー 扬声器</p> 	<p><b>NEC</b> SP-P42P1 SPEAKERS HAUT-PARLEUR ALTAVOZ スピーカー 扬声器</p>  <table border="1"> <tr> <td>NET WEIGHT / 淨重 / 淨重</td> <td>2.4 kg / 7.5 lbs / 7.5 lbs</td> </tr> <tr> <td>GROSS WEIGHT / 毛重 / 毛重</td> <td>5.2 kg / 11.5 lbs / 11.5 lbs</td> </tr> <tr> <td>DIMENSIONS / 尺寸 / 尺寸</td> <td>720 mm (W) x 265 mm (D) x 152 mm (H) 28.3 in (W) x 10.4 in (D) x 6.0 in (H)</td> </tr> <tr> <td>TYPE / 種類</td> <td>MADE IN CHINA / 中國製造</td> </tr> </table>	NET WEIGHT / 淨重 / 淨重	2.4 kg / 7.5 lbs / 7.5 lbs	GROSS WEIGHT / 毛重 / 毛重	5.2 kg / 11.5 lbs / 11.5 lbs	DIMENSIONS / 尺寸 / 尺寸	720 mm (W) x 265 mm (D) x 152 mm (H) 28.3 in (W) x 10.4 in (D) x 6.0 in (H)	TYPE / 種類	MADE IN CHINA / 中國製造
NET WEIGHT / 淨重 / 淨重	2.4 kg / 7.5 lbs / 7.5 lbs								
GROSS WEIGHT / 毛重 / 毛重	5.2 kg / 11.5 lbs / 11.5 lbs								
DIMENSIONS / 尺寸 / 尺寸	720 mm (W) x 265 mm (D) x 152 mm (H) 28.3 in (W) x 10.4 in (D) x 6.0 in (H)								
TYPE / 種類	MADE IN CHINA / 中國製造								
<p>FRAGILE NEVER DROP NE PAS LAISSER TOMBER NO LA DEJE CAER NUNCA 衝撃敏感 不可跌落</p>									
<p><b>NEC</b> SP-P42P1 SPEAKERS HAUT-PARLEUR ALTAVOZ スピーカー 扬声器</p>	<p><b>NEC</b> SP-P42P1 SPEAKERS HAUT-PARLEUR ALTAVOZ スピーカー 扬声器</p>  <table border="1"> <tr> <td>PODS NET / 淨重</td> <td>2.4 kg / 7.5 lbs / 7.5 lbs</td> </tr> <tr> <td>PODS BRUT / 毛重</td> <td>5.2 kg / 11.5 lbs / 11.5 lbs</td> </tr> <tr> <td>DIMENSIONS / 尺寸</td> <td>720 mm (L) x 265 mm (P) x 152 mm (H) 28.3 mm (L) x 10.4 mm (P) x 6.0 mm (H) 28.3 mm (L) x 10.4 mm (P) x 6.0 mm (H)</td> </tr> <tr> <td>TYPAGE / 種類</td> <td>PRODUCE EN CHINE / 中國製造</td> </tr> </table>	PODS NET / 淨重	2.4 kg / 7.5 lbs / 7.5 lbs	PODS BRUT / 毛重	5.2 kg / 11.5 lbs / 11.5 lbs	DIMENSIONS / 尺寸	720 mm (L) x 265 mm (P) x 152 mm (H) 28.3 mm (L) x 10.4 mm (P) x 6.0 mm (H) 28.3 mm (L) x 10.4 mm (P) x 6.0 mm (H)	TYPAGE / 種類	PRODUCE EN CHINE / 中國製造
PODS NET / 淨重	2.4 kg / 7.5 lbs / 7.5 lbs								
PODS BRUT / 毛重	5.2 kg / 11.5 lbs / 11.5 lbs								
DIMENSIONS / 尺寸	720 mm (L) x 265 mm (P) x 152 mm (H) 28.3 mm (L) x 10.4 mm (P) x 6.0 mm (H) 28.3 mm (L) x 10.4 mm (P) x 6.0 mm (H)								
TYPAGE / 種類	PRODUCE EN CHINE / 中國製造								

15 Holder (unit: mm)

注記

1. 振出しRは内面側R以内のこと。
2. パリ取りのこと。
3. 各寸法は塗装後の寸法のこと。



## Free Manuals Download Website

<http://myh66.com>

<http://usermanuals.us>

<http://www.somanuals.com>

<http://www.4manuals.cc>

<http://www.manual-lib.com>

<http://www.404manual.com>

<http://www.luxmanual.com>

<http://aubethermostatmanual.com>

Golf course search by state

<http://golfingnear.com>

Email search by domain

<http://emailbydomain.com>

Auto manuals search

<http://auto.somanuals.com>

TV manuals search

<http://tv.somanuals.com>