

## Technical Support

Thank you for selecting NETGEAR products.

After installing your device, locate the serial number on the label of your product and use it to register your product at [www.NETGEAR.com/register](http://www.NETGEAR.com/register). Registration is required before you can use our telephone support service. Registration through our website is strongly recommended.

Go to <http://support.netgear.com> for product updates and web support.

GPL might be included in this product; to view the GPL license agreement, go to <ftp://downloads.netgear.com/files/GPLnotice.pdf>.

**NETGEAR, Inc.**  
350 East Plumeria Drive  
San Jose, CA 95134, USA



201-14816-01

April 2012

# NETGEAR®

Connect with Innovation™

## MoCA Adapter MCA1001 v2 Installation Guide



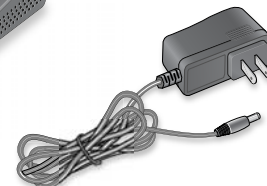
## Package Contents

The box should contain the following items. If any items are incorrect, missing, or damaged, contact your NETGEAR dealer.

MoCA Adapter MCA1001 v2



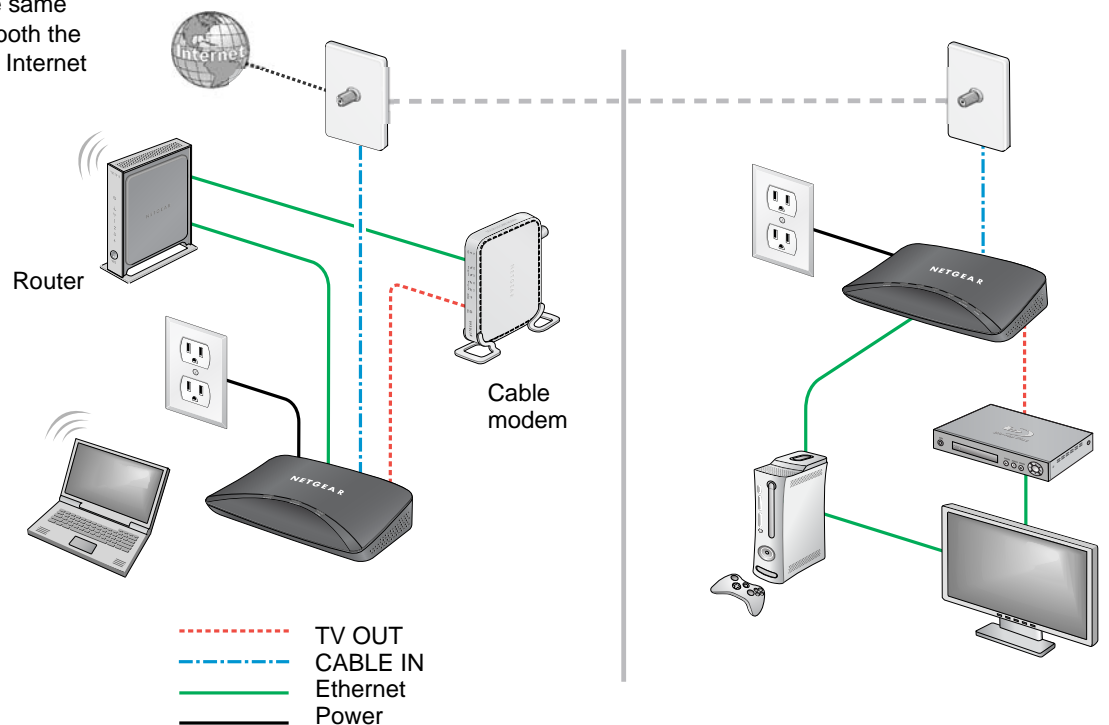
Ethernet cable



Power adapter

## Home Network

In this example, the same company provides both the cable TV and cable Internet service.



## Compliance

### Declarations of Conformity

For complete DoC please visit the NETGEAR EU Declarations of Conformity website at

[http://support.netgear.com/app/answers/detail/a\\_id/11621/](http://support.netgear.com/app/answers/detail/a_id/11621/).

For GNU General Public License (GPL) related information, please visit [http://support.netgear.com/app/answers/detail/a\\_id/2649](http://support.netgear.com/app/answers/detail/a_id/2649).



This symbol is placed in accordance with the European Union Directive 2002/96 on the Waste Electrical and Electronic Equipment (the WEEE Directive). If disposed of within the European Union, this product should be treated and recycled in accordance with the laws of your jurisdiction implementing the WEEE Directive.

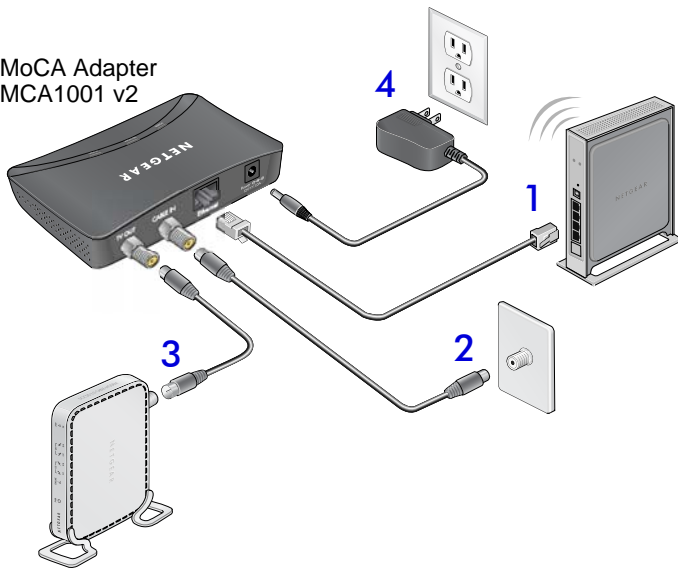
Installation . . . . .	2
Cable TV and Cable Modem Internet . . . . .	2
Cable Modem Gateway . . . . .	4
Connect the Second MoCA Adapter to a TV . . . . .	6
Use the LEDs to Verify Network Communication . . . . .	8
Supplementary Information . . . . .	9
Compliance . . . . .	10

# Installation

You need at least two MoCA adapters to set up MoCA communication. NETGEAR recommends that you set up the MoCA adapter for your Internet connection first.

## Cable TV and Cable Modem Internet

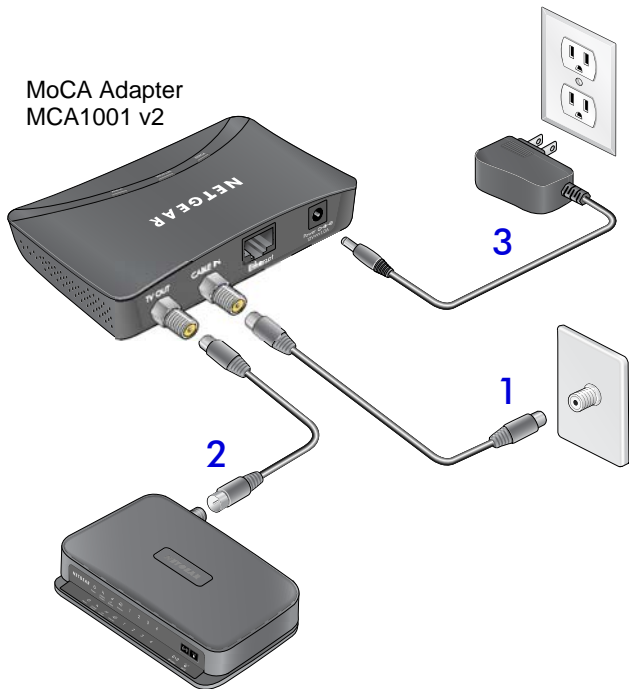
MoCA Adapter  
MCA1001 v2



- **To connect a MoCA adapter to your router and your indoor cable Internet outlet:**
1. Connect the MoCA adapter to your router.  
Use the provided Ethernet cable to connect the MoCA adapter to a LAN port on your router.
  2. Connect the MoCA adapter to the cable jack.
    - a. Locate the coax cable that connects your modem to the cable jack in the wall outlet.
    - b. Disconnect it from the modem, but leave the other end of the cable connected to the cable jack.
    - c. Connect the coax cable to the Coax IN jack on the MoCA adapter by hand, finger-tight.
  3. Connect the MoCA adapter to your modem.  
Use a different coax cable (sold separately) to connect the MoCA adapter's TV OUT jack to the cable modem by hand, finger-tight.
  4. Connect the provided power adapter to the MoCA adapter and plug it into a power outlet.  
The POWER LED lights up.

# Cable Modem Gateway

MoCA Adapter  
MCA1001 v2

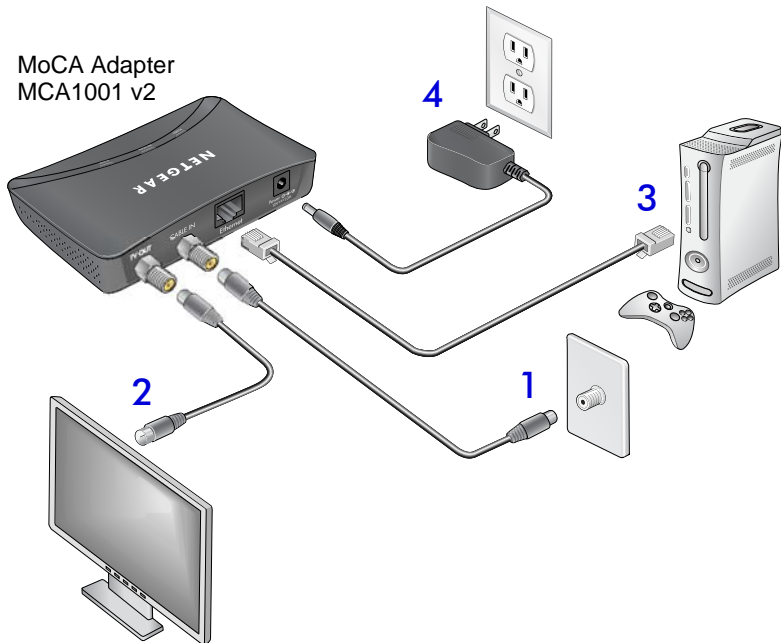


Cable modem gateway

- **To connect a MoCA adapter to your cable modem gateway:**
1. Connect the MoCA adapter to the indoor cable Internet outlet.
    - a. Disconnect your cable modem gateway from the coax cable Internet outlet, but leave one end of the coax cable connected to the wall outlet.
    - b. Connect the coax cable from Step a to the COAX IN jack on the MoCA adapter by hand, finger-tight.
  2. Connect the MoCA adapter to your cable modem gateway.  
Use another coax cable (sold separately) to connect the cable modem gateway to the TV OUT jack on the MoCA adapter by hand, finger-tight.
  3. Connect the provided power adapter to the MoCA adapter and plug it into a power outlet.  
The POWER LED lights up.

## Connect the Second MoCA Adapter to a TV

MoCA Adapter  
MCA1001 v2





➤ **To connect a MoCA adapter to a TV (in a different room):**

1. Connect the MoCA adapter to the cable jack.
  - a. Locate the coax cable that connects your TV to the cable jack in the wall outlet.
  - b. Disconnect it from the TV, but leave the other end of the cable connected to the cable jack.
  - c. Connect the coax cable to the Coax IN jack on the MoCA adapter by hand, finger-tight.
2. Connect the MoCA adapter to the TV.

Use a different coax cable (sold separately) to connect the MoCA adapter's TV OUT jack to the TV by hand, finger-tight.
3. Connect your equipment to the Ethernet port.

You can use the Ethernet cable included in the package to connect equipment like a gaming console, set-top box, Ethernet switch, or a Blu-Ray DVD player.
4. Connect the provided power adapter to the MoCA adapter and plug it into a power outlet.

The POWER LED lights up.

# Use the LEDs to Verify Network Communication

You can use the LEDs on your MoCA adapters to make sure that they are powered up and can communicate with each other and the Ethernet local area network (LAN).

**Table 1: LEDs**

LED	Activity
POWER	<ul style="list-style-type: none"><li>• <b>On solid.</b> The MoCA adapter is receiving power.</li><li>• <b>Flashing.</b> The MoCA adapter is booting.</li><li>• <b>Off.</b> No power.</li></ul>
NETWORK	<ul style="list-style-type: none"><li>• <b>On solid.</b> The MoCA adapter has detected an Ethernet link.</li><li>• <b>Flashing.</b> Data is being sent or received over the Ethernet port.</li></ul>
C LINK	<ul style="list-style-type: none"><li>• <b>Solid green.</b> The phyrate is 180 Mbps.</li><li>• <b>Solid yellow.</b> The phyrate is 150—180 Mbps.</li><li>• <b>Flashing yellow.</b> The coax cable is not connected.</li><li>• <b>Off.</b> The phyrate is less than 150 Mbps, or there is no power.</li></ul>

# Supplementary Information

**Table 2: Technical Specifications**

Feature	Description
Frequency range	<ul style="list-style-type: none"><li>MoCA: 1125 MHz—1525 MHz (D Band)</li><li>TV port: 5 MHz to 1004 MHz</li></ul>
MoCA rev.	MoCA 1.1 compliance
Channel	Channel bandwidth: 50 MHz Channel number: D1—D8
Power requirements (power adapter)	Input voltage: 100—240 VAC, 50/60 Hz 12V DC, 1A
Ethernet interface connector	10 BASE-T/100 BASE-TEX RJ-45
RF interface	<ul style="list-style-type: none"><li>Cable In port: F-type female connector, 75 ohm</li><li>TV Out port: F-type female connector, 75 ohm</li></ul>
Impedance	75 $\Omega$

**Table 2: Technical Specifications (Continued)**

Feature	Description
Maximum devices supported in MoCA environment	16
Dimensions (with interfaces and sockets)	109.8 x 95.6 x 27 mm
Regulatory compliance	FCC, ESD
Operating temperature	0—40°C
Storage temperature	-20—60°C
Operating humidity	10%—95% Noncondensing

## Compliance

### FCC Statement

The MC1001v3 has been tested and complies with the specifications for a Class B digital device, pursuant to Part 15 of the FCC Rules.

Operation is subject to the following two conditions:

- (1) This device may not cause harmful interference, and
- (2) This device must accept any interference received, including interference that may cause undesired operation.

These limits are designed to provide reasonable protection against harmful interference in a residential installation. This equipment generates, uses, and can radiate radio frequency energy and, if not installed and used according to the instructions, may cause harmful interference to radio communications. However, there is no guarantee that interference will not occur in a particular installation. If this equipment does cause harmful interference to radio or television reception, which is found by turning the equipment off and on, the user is encouraged to try to correct the interference by one or more of the following measures:

- Reorient or relocate the receiving antenna
- Increase the separation between the equipment or devices
- Connect the equipment to an outlet other than the receiver's
- Consult a dealer or an experienced radio/TV technician for assistance

FCC Caution: Any change or modification to the product not expressly approved by NETGEAR could void the user's authority to operate the device.

## **FCC RF Radiation Exposure and SAR Statements**

### **SAR Statement**

The NETGEAR MC1001v3 has been tested for body-worn Specific Absorption Rate (SAR) compliance. The FCC has established detailed SAR requirements and has established that these requirements have been met while installed in host notebook computer.

### **RF Exposure Information**

The radio module has been evaluated under FCC Bulletin OET 65C (01-01) and found to be compliant to the requirements as set forth in CFR 47 Sections, 2.1093, and 15.247 (b) (4) addressing RF Exposure from radio frequency devices. This model meets the applicable government requirements for exposure to radio frequency waves. The highest SAR level measured for this device was 1.380 W/kg.

## **Canadian Department of Communications Industry Canada (IC) Notice**

This Class B digital apparatus complies with Canadian ICES-003 and RSS-210. Cet appareil numérique de la classe B est conforme à la norme NMB-003 et CNR-210 du Canada.

### **Industry Canada Statement**

This device complies with RSS-210 of the Industry Canada Rules. Operation is subject to the following two conditions: (1) This device may not cause harmful interference, and (2) this device must accept any interference received, including interference that may cause undesired operation.

### **NOTE: Radiation Exposure Statement**

This equipment complies with IC radiation exposure limits set forth for an uncontrolled environment. End users must follow the specific operating instructions for satisfying RF exposure compliance. To maintain compliance with IC RF exposure compliance requirements, please follow operation instruction as documented in this manual.

## Free Manuals Download Website

<http://myh66.com>

<http://usermanuals.us>

<http://www.somanuals.com>

<http://www.4manuals.cc>

<http://www.manual-lib.com>

<http://www.404manual.com>

<http://www.luxmanual.com>

<http://aubethermostatmanual.com>

Golf course search by state

<http://golfingnear.com>

Email search by domain

<http://emailbydomain.com>

Auto manuals search

<http://auto.somanuals.com>

TV manuals search

<http://tv.somanuals.com>