

XET1001 Wall-Plugged Ethernet Adapter User Guide



NETGEAR®

NETGEAR, Inc.
4500 Great America Parkway
Santa Clara, CA 95054 USA

202-10376-01
January 2008

Technical Support

Please refer to the support information card that shipped with your product. By registering your product at <http://www.netgear.com/register>, we can provide you with faster expert technical support and timely notices of product and software upgrades.

NETGEAR, INC. Support Information

Phone: 1-888-NETGEAR, for US & Canada only. For other countries, see your Support information card.

E-mail: support@netgear.com

North American NETGEAR website: <http://www.netgear.com>

Trademarks

NETGEAR, the NETGEAR logo, ProSafe, and Auto Uplink are trademarks or registered trademarks of NETGEAR, Inc. Microsoft, Windows, Windows NT and Vista are registered trademarks of Microsoft Corporation. Other brand and product names are registered trademarks or trademarks of their respective holders.

Statement of Conditions

In the interest of improving internal design, operational function, and/or reliability, NETGEAR reserves the right to make changes to the products described in this document without notice. NETGEAR does not assume any liability that may occur due to the use or application of the product(s) or circuit layout(s) described herein.

Federal Communications Commission (FCC) Compliance Notice: Radio Frequency Notice

This equipment has been tested and found to comply with the limits for a Class B digital device, pursuant to part 15 of the FCC Rules. These limits are designed to provide reasonable protection against harmful interference in a residential installation. This equipment generates, uses, and can radiate radio frequency energy and, if not installed and used in accordance with the instructions, may cause harmful interference to radio communications. However, there is no guarantee that interference will not occur in a particular installation. If this equipment does cause harmful interference to radio or television reception, which can be determined by turning the equipment off and on, the user is encouraged to try to correct the interference by one or more of the following measures:

- Reorient or relocate the receiving antenna.
- Increase the separation between the equipment and receiver.
- Connect the equipment into an outlet on a circuit different from that to which the receiver is connected.
- Consult the dealer or an experienced radio/TV technician for help.

EU Compliance

NETGEAR's XET1001 85 Mbps Wall-Plugged Ethernet Adapter is compliant with the following EU Council Directives: 89/336/EEC and LVD 73/23/EEC. Compliance is verified by testing to the following standards: EN55022 Class A, EN55024 and EN60950-1.

Bestätigung des Herstellers/Importeurs

Es wird hiermit bestätigt, daß das XET1001 85 Mbps Wall-Plugged Ethernet Adapter gemäß der im BMPT-AmtsblVfg 243/1991 und Vfg 46/1992 aufgeführten Bestimmungen entstört ist. Das vorschriftsmäßige Betreiben einiger Geräte

(z.B. Testsender) kann jedoch gewissen Beschränkungen unterliegen. Lesen Sie dazu bitte die Anmerkungen in der Betriebsanleitung.

Das Bundesamt für Zulassungen in der Telekommunikation wurde davon unterrichtet, daß dieses Gerät auf den Markt gebracht wurde und es ist berechtigt, die Serie auf die Erfüllung der Vorschriften hin zu überprüfen.

Certificate of the Manufacturer/Importer

It is hereby certified that the XET1001 85 Mbps Wall-Plugged Ethernet Adapter has been suppressed in accordance with the conditions set out in the BMPT-AmtsblVfg 243/1991 and Vfg 46/1992. The operation of some equipment (for example, test transmitters) in accordance with the regulations may, however, be subject to certain restrictions. Please refer to the notes in the operating instructions.

Federal Office for Telecommunications Approvals has been notified of the placing of this equipment on the market and has been granted the right to test the series for compliance with the regulations.

Product and Publication Details

Model Number:	XET1001
Publication Date:	January 2008
Product Family:	PowerLine Adapter
Product Name:	XET1001 85 Mbps Wall-Plugged Ethernet Adapter
Home or Business Product:	Home
Language:	English
Publication Part Number:	202-10376-01
Publication Version Number:	1.0

Contents

XET1001 Wall-Plugged Ethernet Adapter User Guide

About This Manual	1
Conventions, Formats, and Scope	1
How to Print This Manual	2
Package Contents	3
Label Information and Status Lights	3
The Label on the Rear Panel	3
Front Panel Status Lights	4
How the PowerLine Adapter Fits in Your Network	5
Prepare to Install Your PowerLine Adapter	5
Connect an XET1001 to the Router	6
Connect other Ethernet PowerLine Adapters	8
Install the XET1001 PowerLine Encryption Utility (Highly Recommended)	8
Set Your Network Password	12
Add a Device to an Existing PowerLine Network	14
Adding a New Device from a Locally Connected Computer	14
Adding a New Device from a Remotely Connected Computer	14
Troubleshooting	15
NETGEAR Product Registration, Support, and Documentation	15
Basic Functioning	15
Technical Specifications	17
Default Configuration Settings	17
Technical Specifications	17

About This Manual

The *XET1001 Wall-Plugged Ethernet Adapter User Guide* describes how to install, configure, and troubleshoot the NETGEAR® XET1001 Wall-Plugged Ethernet Adapter. The information in this manual is intended for readers with intermediate computer and Internet skills. For information about product features, see the NETGEAR website at <http://www.netgear.com>.


Conventions, Formats, and Scope


The conventions, formats, and scope of this manual are described in the following sections.


- **Typographical conventions.** This manual uses the following typographical conventions.


<i>Italic</i>	Emphasis, books, CDs, file and server names, extensions
Bold	User input, IP addresses, GUI screen text
Fixed	Command prompt, CLI text, code
<i>italic</i>	URL links

- **Formats.** This manual uses the following formats to highlight special messages.

	Note: This format is used to highlight information of importance or special interest.
---	--

	Tip: This format is used to highlight a procedure that will save time or resources.
---	--

	Warning: Ignoring this type of note may result in a malfunction or damage to the equipment.
---	--

	Danger: This is a safety warning. Failure to take heed of this notice may result in personal injury or death.
---	--

- **Scope.** This manual is written for the XET1001 Wall-Plugged Ethernet Adapter according to these specifications.

Product version	XET1001 85 Mbps Wall-Plugged Ethernet Adapter
Manual publication date	January 2008

Product updates are available on the NETGEAR website at <http://www.netgear.com/support>.

How to Print This Manual

To print this manual, you can choose one of the following options, according to your needs. Your computer must have the free Adobe Acrobat Reader installed in order to view and print PDF files. The Acrobat Reader is available on the Adobe website at <http://www.adobe.com>.

- **Printing a chapter.** Use the *PDF of This Chapter* link at the top left of any page.
 - Click the PDF of This Chapter link at the top right of any page in the chapter you want to print. The PDF version of the chapter you were viewing opens in a browser window.
 - Click the print icon in the upper left of the window.



Tip: If your printer supports printing two pages on a single sheet of paper, you can save paper and printer toner by selecting this feature.

- **Printing the full manual.** Use the *Complete PDF Manual* link at the top left of any page.
 - Click the Complete PDF Manual link at the top left of any page in the manual. The PDF version of the complete manual opens in a browser window.
 - Click the print icon in the upper left of the window.



Tip: If your printer supports printing two pages on a single sheet of paper, you can save paper and printer toner by selecting this feature.

Package Contents

The product package should contain the following items:

- One or two XET1001 85 Mbps Wall-Plugged Ethernet Adapters, depending on whether you purchased a single unit or a bundle.
- A *Resource CD*, which includes:
 - A PDF version of this manual
 - A PDF version of the *XET1001 Installation Guide*
 - The XET1001 PowerLine Encryption Utility
- *XET1001 Installation Guide*, Registration, Warranty Card, and Support Information Card.

If any of the parts are incorrect, missing, or damaged, contact your NETGEAR dealer. Keep the carton, including the original packing materials, in case you need to return the PowerLine adapter for repair.

Label Information and Status Lights

The PowerLine adapter has a label with important information and status light indicators. Familiarize yourself with these features of your product.

The Label on the Rear Panel





The label on the rear panel of the PowerLine adapter contains the items listed below.

- MAC address
- Model number
- Serial number
- Unique device Passcode (PWD)

Front Panel Status Lights

The front panel of the XET1001 contains status lights. You can use them to verify connections. The table below describes the lights on the front panel.

Table 2-1. Front Panel Status Light Descriptions

Front Panel	Status Light	Description
 <p>Figure 3</p>	Power 	<ul style="list-style-type: none"> • On green solid. Power is supplied to the PowerLine adapter. • Blink. Power-on self-test. • Off. Power is not supplied to the PowerLine adapter.
	HomePlug 	<ul style="list-style-type: none"> • On. The HomePlug port has detected another PowerLine device on the PowerLine network. • Blink. Data is being transmitted or received on the PowerLine network. • Off. No other PowerLine devices detected on the PowerLine network.
	Ethernet 	<ul style="list-style-type: none"> • On green solid. The Ethernet port is linked but there is no activity. • Blink. Data is being transmitted or received between the Ethernet port and the PowerLine. • Off. No link is detected.

How the PowerLine Adapter Fits in Your Network

You can use the XET1001 Wall-Plugged Ethernet Adapter to implement or extend an Ethernet local area network (LAN) anywhere in your house using your existing electrical power line in place of a dedicated LAN wiring infrastructure. An example is illustrated in the following diagram for a minimal network consisting of two PowerLine devices:

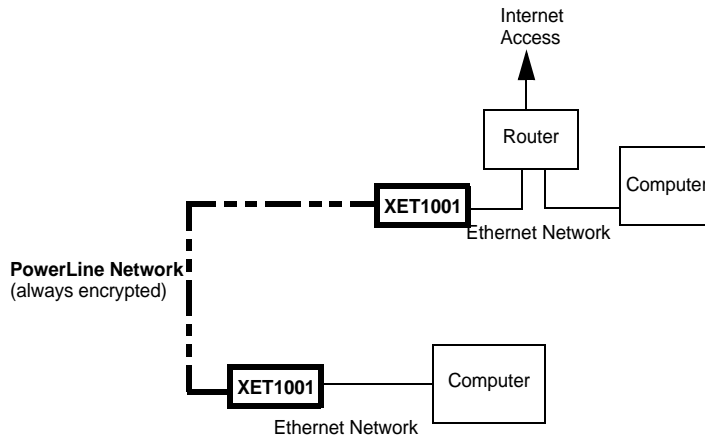


Figure 4

Follow the instructions below to set up your PowerLine adapter.

Prepare to Install Your PowerLine Adapter

Check that these minimum requirements are met.

- Your Ethernet network is set up and an Ethernet port is available on your router.
- Your Internet connection is working.
- Each computer or device to be used on your network has an Ethernet port.

Connect an XET1001 to the Router

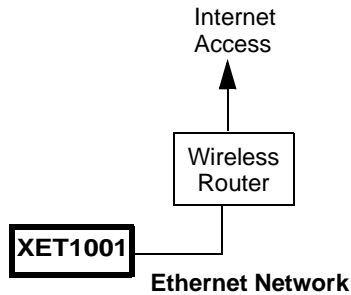
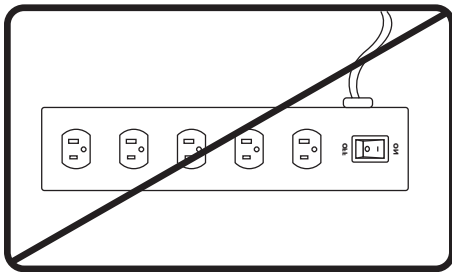


Figure 5

1. First, connect an XET1001 Wall-Plugged Ethernet Adapter to a LAN port on the router so that the PowerLine network can access the Internet.



WARNING!

Figure 6

Do not connect the PowerLine adapter to a power strip, extension cord, or surge protector as this may prevent it from working properly or degrade the network performance.

- a. Plug the blue Ethernet cable that came in the box into a LAN port on your router or switch in your network.

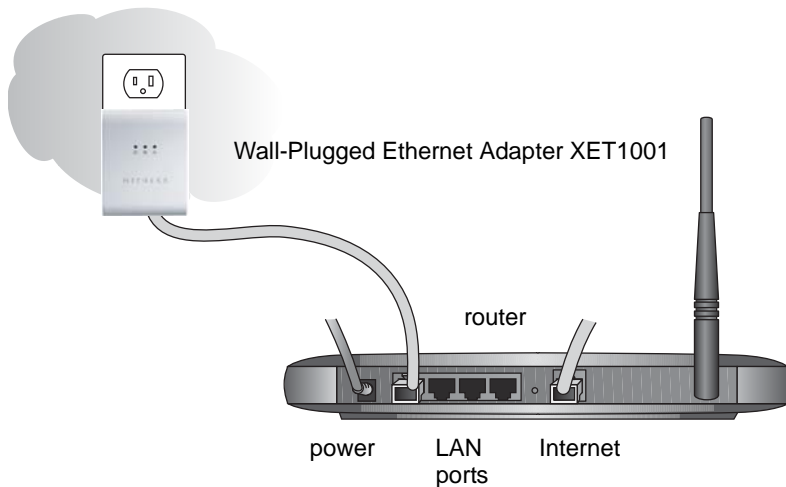


Figure 7

- b. Plug the PowerLine adapter into an electrical outlet near the router.
- c. Plug the other end of blue Ethernet cable that came in the box into the PowerLine adapter.

Check the status lights:

- **Power:** The power LED turns solid green. If it does not, see [“Troubleshooting” on page 15](#).
 - **HomePlug:** The HomePlug LED blinks to indicate that the device is connected to the power line, and that no other PowerLine devices have been detected at this stage.
 - **Ethernet:** The Ethernet LED blinks to indicate activity. If not, make sure that the Ethernet cable on the PowerLine adapter that you connected in the previous step is securely attached to the PowerLine adapter and the router, that the router is connected to the modem, and the router and modem are powered on.
- d. Make sure that the Internet port of your router is connected to your modem, and that your computer is either connected to a LAN port on the router or to a port on the PowerLine adapter.

Connect other Ethernet PowerLine Adapters

1. Before plugging in your other PowerLine devices, take a note of the device password printed on the label on the back of each device. You will need this password later if you want to change the PowerLine network password. If you are adding more than one other PowerLine adapter, also note the MAC address given on the label, so that you will know which device the password is for.
2. Plug your other PowerLine devices into power outlets in your home near to the other computers and peripherals to be included in your PowerLine local area network.
3. Use an Ethernet cable to connect an Ethernet port on each of the computers and peripherals to the nearest PowerLine device.
4. When you plug in a second PowerLine adapter into a power outlet, check the blue HomePlug LEDs. They should turn on and then briefly blink at the same time as the Ethernet activity LED.

This completes the PowerLine installation.

Install the XET1001 PowerLine Encryption Utility (Highly Recommended)

The utility gives you the option of setting a unique encryption PowerLine network password.

Important features:

- The encryption password is case-sensitive.
- Each device must be set to exactly the same encryption password—if they are to communicate on the same network. PowerLine devices on different networks will not be able to communicate.
- A default button resets the encryption password to the default password (HomePlug).
- The encryption password can protect your network from unauthorized access through the PowerLine network.
- A device password is printed on each NETGEAR PowerLine product. This is not the network password, but you are required to enter it if you are setting the network password with another PowerLine adapter device.

To install the PowerLine Encryption Utility, follow these steps:

1. Insert the *Resource CD* into a CD drive on the computer that is connected to your router¹. The CD starts automatically. The following screen is displayed:

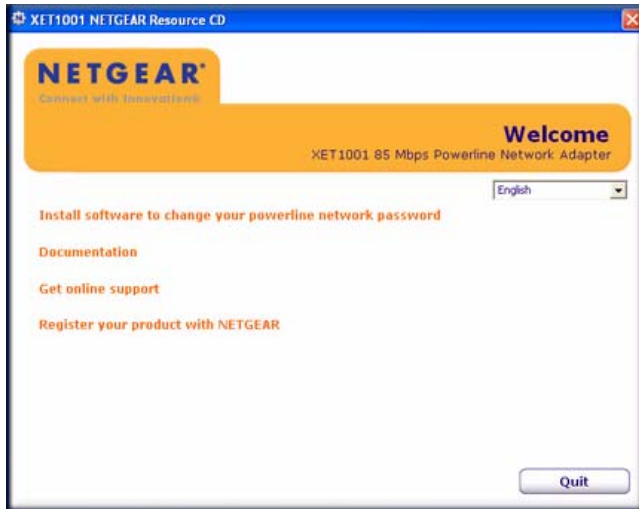


Figure 8

If the CD does not start automatically:

- Go to My Computer on the Windows Start menu, and double-click the drive that contains the *Resource CD* or
- Select the CD drive and click on the Autorun.exe executable file.

1. All devices on a PowerLine network can be managed from one computer. If you add another XET1001 device to an existing PowerLine network, you can install the PowerLine encryption utility on the computer connected locally to the new XET1001 device or on the computer originally used to set up the PowerLine network password. You can use any computer to manage the network, but this procedure assumes that you are working from the computer that is connected to your router.

2. Click Install Software, and the Welcome screen appears.



Figure 9

3. Click Next and follow the instructions on the screen.

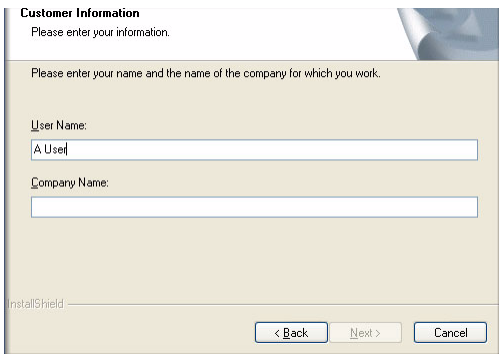


Figure 10

4. Enter your user name and organization and then click Next.

5. Specify where the files will be saved on your computer:

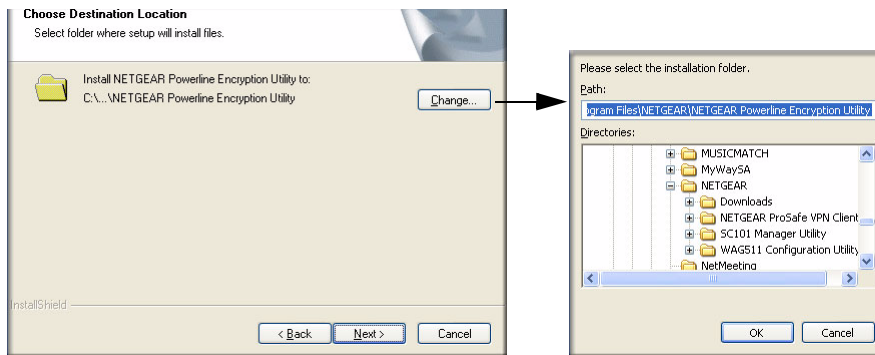


Figure 11

- **Change.** Choose the location. Type a new folder name or select another location using the folder options and then click OK.
- **Next.** Accept the default location.

6. The InstallShield Wizard indicates that the program is ready to install.

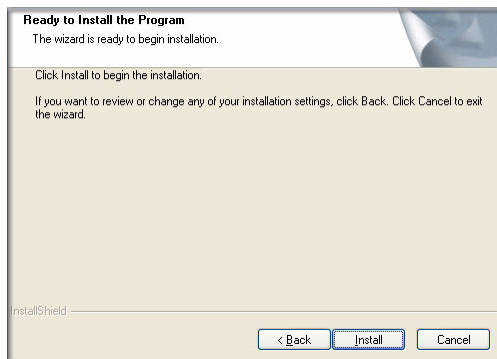


Figure 12

7. Click Install.
8. When the installation is complete, click Finish.

Set Your Network Password

The fastest and most reliable way to set the network password is to set the password for all devices at once. To do this, you need the device password on the back label of each PowerLine device. There are two steps to setting the password: first enter the device password for each remote PowerLine device, and then set the network password.

1. Enter the device password for each remote PowerLine device:
 - a. Make sure that all PowerLine devices are plugged into 100~240V AC wall sockets.
 - b. Start the PowerLine encryption utility and click the Main tab.

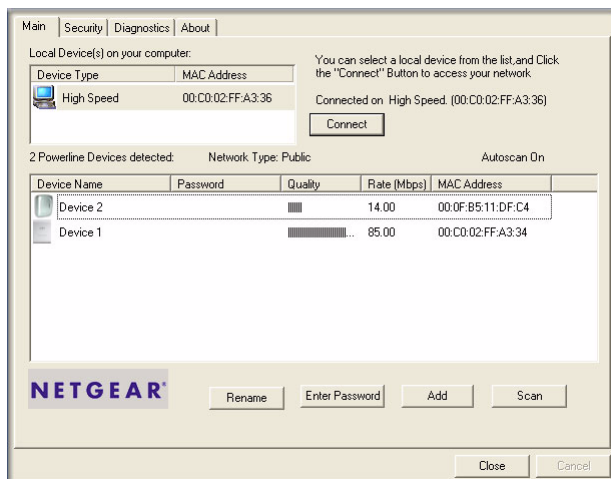


Figure 13

- c. Check that the utility lists all the remote PowerLine devices
 - d. Select a PowerLine device and, if more than one remote device is listed, identify it from the MAC address.

- e. Click Enter Password.

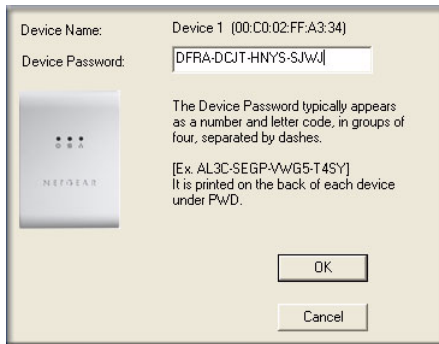


Figure 14

- f. Enter the password recorded from the label on the back of the selected PowerLine device.
 - g. Click OK.
 - h. Repeat this step for all devices that you want attached to your network.
2. Set the network password.
 - a. Select the Security tab.

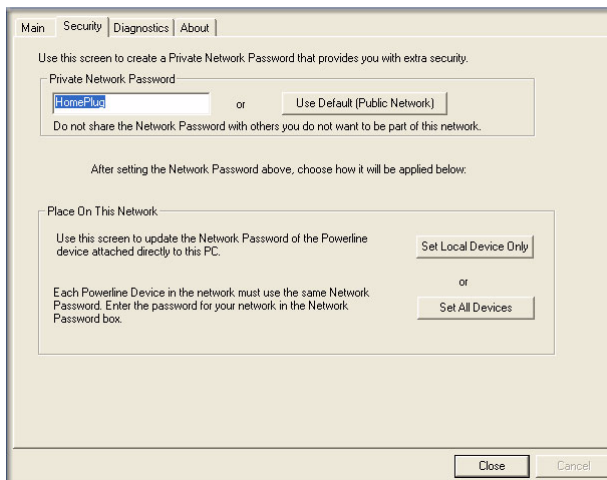


Figure 15

- b. Type a password in the Private Network Password text box.
- c. Click Set All Devices. A pop-up window indicates that the operation was successful.

Add a Device to an Existing PowerLine Network

To add a device to a PowerLine network with the default network password, all you need to do is plug the new device into a power outlet.

If the network password has been set, then you will need to run the PowerLine encryption utility to set the new device to the network password. How you do this depends on whether the computer running the PowerLine encryption utility is connected directly to the new PowerLine device (local) or is connected to a different device in the PowerLine network (remote).

Adding a New Device from a Locally Connected Computer

1. Plug the new PowerLine device into an available AC power outlet and connect it to an Ethernet port on the computer.
2. Start the PowerLine encryption utility and select the Security tab.
3. Type the network password in the Private Network Password text box and click Set Local Device Only.
4. Select the Main tab and check that the other devices in the PowerLine network appear in the device list. It may take a minute or two for all devices in the network to be detected.

Adding a New Device from a Remotely Connected Computer

1. Note the device password given on the label on the back of the new PowerLine device.
2. Plug the new PowerLine device into an AC power outlet.
3. Start the PowerLine encryption utility on the remote computer and select the Security tab.
4. Click Use Default (Public Network). The password in the Private Network Password text box changes to the default password, HomePlug.
5. Click Set All Devices.
6. Select the Main tab and wait for the new PowerLine device to be listed.
7. Select the new PowerLine device from the device list, and click Enter Password.
8. In the pop-up window, enter the password from the back label of the device and click OK.
9. Select the Security tab.
10. Re-enter the network password in the Private Network Password text box, and then click Set All Devices.

Troubleshooting

This chapter gives information about troubleshooting your XET1001 85 Mbps Wall-Plugged Ethernet Adapter. After each problem description, instructions are provided to help you diagnose and solve the problem.

NETGEAR Product Registration, Support, and Documentation

Register your product at <http://www.netgear.com/register>.

Product updates and Web support are available at:
<http://www.netgear.com/support>.

When the PowerLine adapter is connected to the Internet, click the Knowledge Base or the Documentation link under the Web Support menu to view support information or the documentation for the PowerLine adapter.

Basic Functioning

After you plug in the PowerLine adapter, the following sequence of events should occur:

1. When power is first applied, verify that the Power light is on.
2. After approximately 10 seconds, check the LEDs on the PowerLine adapter. The following should occur:
 - a. The power LED is solid green.
 - b. The blue HomePlug LED is lit.
 - c. The Ethernet LED blinks.

If any of these conditions does not occur, refer to the appropriate following section.

Power Light Not On

Make sure that, if power to the AC power outlet is controlled by a wall switch, the wall switch is in the **on** position.

Verify that the wall socket is live. To do this, disconnect the PowerLine adapter and plug in another electrical product, such as a lamp or a hairdryer.

If the Power LED still does not come on, and you have confirmed the power outlet is live, you have a hardware problem and should contact technical support.

HomePlug Light Not On

If the power light is on but the HomePlug light is not, check the following:

- Make sure that power is being provided to more than one PowerLine device. Another PowerLine device must be installed for successful communication across the PowerLine.
- Verify that the network password is the same on all devices in the PowerLine network.

Ethernet Light is Off

- Make sure that the Ethernet cable is plugged in properly at both ends.
- Be sure that you are using the correct cable on the router that the first PowerLine adapter is connected to. When connecting the router's Internet port to a cable or DSL modem, use the cable that was supplied with the cable or DSL modem. This cable could be a standard straight-through Ethernet cable or an Ethernet crossover cable.
- On the attached Ethernet device or network adapter card, check that the Link light is on.

Technical Specifications

This section provides default settings and technical specifications for the XET1001 85 Mbps Wall-Plugged Ethernet Adapter.

Default Configuration Settings

Table 2-1. PowerLine Device Default Configuration Settings

Feature		Description
Encryption Utility		Enabled
Network		
	Port Speed	Auto-negotiation
	Port Duplex	Auto-negotiation
Administration		
	Device password	See product label.
	Management IP Configuration	DHCP
PowerLine		
	Encryption password	HomePlug

Technical Specifications

Power Requirements	100~240V AC
Dimensions	98mmx 72mm x 40mm (Height x Width x Depth)
Weight	0.146kg
Operating temperature	32° to 104° F (0° to 40°C)
Operating humidity	90% maximum relative humidity, noncondensing
Powerline standard	HomePlug 1.0
HomePlug Frequency	4.3-20.9 Mhz
Data Encoding	HomePlug 1.0: Orthogonal Frequency Division Multiplexing (OFDM), DQPSK, DBPSK, ROBO

HomePlug Security	DES (56 bit)
Electromagnetic emissions	FCC Part 15 Class B; CE-EMC Class B
Power and Safety	UL Listed (UL 1950) /cUL IEC950; CE LVD

Images/NetgearLogo.jpg @ 96 dpi i
images/HDXB101_images_13April06.jpg @ 300 dpi i
images/icon_pointer.gif @ 96 dpi 1
images/icon_warning.gif @ 200 dpi 1
images/icon_danger.gif @ 200 dpi 1
images/Fig2-1Front.jpg @ 96 dpi 4
images/Power_ai11_091304.ai 4
images/Powerline_ai11_091304.ai 4
images/Ethernet_ai11.ai 4
images/power strip [Converted]_rotated.eps 6
images/XE103+Router [Converted].ai 7
Images/XET1001MainNavScreen.jpg @ 96 dpi 9
images/XE104Install_1.jpg @ 96 dpi 10
images/Fig2-7_XE104Install1A.jpg @ 96 dpi 10
images/Fig2-8_XE104Install_1B.jpg @ 96 dpi 11
images/Fig2-9_XE104Install_1C.jpg @ 96 dpi 11
images/Fig2-10_XE104Install_1D.jpg @ 96 dpi 11
images/PowerlineUtilMainTab.jpg @ 96 dpi 12
images/PowerlineUtilDevPW.jpg @ 96 dpi 13
images/PowerlineUtilSecurityTab.jpg @ 96 dpi 13

Free Manuals Download Website

<http://myh66.com>

<http://usermanuals.us>

<http://www.somanuals.com>

<http://www.4manuals.cc>

<http://www.manual-lib.com>

<http://www.404manual.com>

<http://www.luxmanual.com>

<http://aubethermostatmanual.com>

Golf course search by state

<http://golfingnear.com>

Email search by domain

<http://emailbydomain.com>

Auto manuals search

<http://auto.somanuals.com>

TV manuals search

<http://tv.somanuals.com>