

NETGEAR®

Connect with Innovation™

Powerline 200 Nano PassThru (2-pack) XAVB1601 Installation Guide



Technical Support

Thank you for selecting NETGEAR products.

After installing your device, locate the serial number on the label of your product and use it to register your product at <https://my.netgear.com>.

You must register your product before you can use NETGEAR telephone support. NETGEAR recommends registering your product through the NETGEAR web site.

To access the XAV1601 utility for product updates and web support, go to <http://support.netgear.com>.

Phone (US only): 1-888-NETGEAR

Phone (Other Countries):

See <http://support.netgear.com/general/contact/default.aspx>.

Trademarks

NETGEAR, the NETGEAR logo, and Connect with Innovation are trademarks and/or registered trademarks of NETGEAR, Inc. and/or its subsidiaries in the United States and/or other countries. Information is subject to change without notice. Other brand and product names are registered trademarks or trademarks of their respective holders. © NETGEAR, Inc. All rights reserved.

Statement of Conditions

In the interest of improving internal design, operational function, and/or reliability, NETGEAR reserves the right to make changes to the products described in this document without notice. NETGEAR does not assume any liability that may occur due to the use or application of the product(s) or circuit layout(s) described herein.

Contents

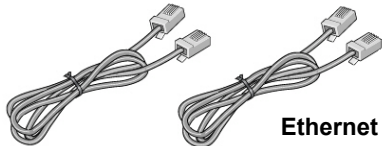
Package Contents	2
Hardware Features	3
LED Descriptions.	4
Button Descriptions	5
Compatible NETGEAR Powerline Devices	7

Package Contents

**Powerline
XAV1601
adapters**



**Resource
CD**



**Ethernet
cables (2)**

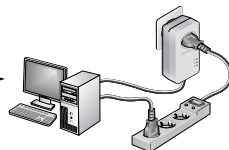
Your adapters might look like one of these:






Hardware Features



NETGEAR recommends that you *do not* plug a Powerline adapter directly into a power strip.



LED Descriptions

Item	Description								
Power LED 	<ul style="list-style-type: none"> • Solid green. The electrical power is on. • Blinking green. The adapter is in the process of restarting or setting up security. • Solid Amber. The adapter is in power saving mode. • Off. There is no electrical power. 								
Powerline LED 	<ul style="list-style-type: none"> • Solid green. The adapter is connected to a Powerline network. • Off. The adapter has not found any other compatible Powerline devices using the same encryption key. <p data-bbox="228 563 945 622">The Pick A Plug feature lets you choose the electrical outlet with the strongest link rate, which is indicated by the LED color:</p> <table border="1" data-bbox="221 632 953 754"> <thead> <tr> <th data-bbox="221 632 467 754">Green: Link rate > 80 Mbps (Best)</th> <th data-bbox="467 632 712 754">Amber: Link rate > 50 and < 80 Mbps (Better)</th> <th data-bbox="712 632 953 754">Red: Link rate < 50 Mbps (Good)</th> </tr> </thead> <tbody> <tr> <td></td> <td></td> <td></td> </tr> </tbody> </table>			Green: Link rate > 80 Mbps (Best)	Amber: Link rate > 50 and < 80 Mbps (Better)	Red: Link rate < 50 Mbps (Good)			
Green: Link rate > 80 Mbps (Best)	Amber: Link rate > 50 and < 80 Mbps (Better)	Red: Link rate < 50 Mbps (Good)							
Ethernet LED 	<ul style="list-style-type: none"> • Solid green. The Ethernet port is linked or data is being transmitted. • Off. There is no Ethernet connection 								

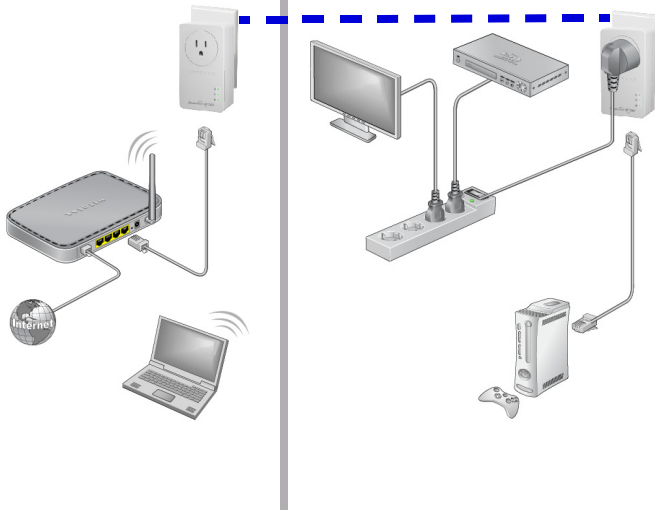
Button Descriptions

Item	Description
Factory Reset button	Press the Factory Reset button for 1 second, and release it to return the Powerline adapter to its factory default settings.
Security button	<ul style="list-style-type: none">• After you plug in your new AV adapter, press the Security button for 2 seconds, and then press the Security button on one of the other AV adapters in your existing network for 2 seconds. Both buttons must be pressed within 2 minutes.• Press the Security button for 10 seconds to put the adapter into power saving mode. Press the Security button again for 0.5 seconds to wake it.
Filtered AC Socket	The filtered AC socket can remove some electrical noise that might affect Powerline performance. Plugging the power plugs of nearby devices into the filtered AC socket might improve performance.

Warning: Do not press the Security/Power button on the Powerline adapter until installation is complete, and the adapters are communicating with each other (indicated by the blinking Powerline LED). Pressing this button too soon can temporarily disable Powerline communication. If Powerline communication becomes disabled, press the **Factory Reset** button to return the Powerline adapter to its factory default settings.

Room 1

Room 2



Compatible NETGEAR Powerline Devices

Compatible Powerline and HomePlug AV certified devices include the NETGEAR XAV101, XAV1004, XAV2001, XAV2501, XAVN2001, XAV2101, XAV5001, XAV5501, and XAV5004.

For a complete list of HomePlug AV certified devices, go to www.homeplug.org/certified_products.

Safety Information:

- AC input:100–125V, 0.1A (Max: NA) and 200–250V, 0.1A (Max; others), for product only.
- Operating temperature: 0–40°C
- The socket-outlet shall be installed near the equipment and shall be easily accessible.
- XAV1601 ratings (maximum load):

EU: 16A 250V

UK: 13A 250V

NA: 12A 125V

- Only power cords are allowed to be inserted into the filtered AC outlet; no other equipment with a direct plug-in is allowed. The power cord needs to be a maximum of 1m long and a minimum of 0.75 mm square of cross-sectional area.
- Do not plug devices into the XAV1601 filtered AC outlet that exceed the product ratings. The output voltage of the filtered AC outlet is the same as the power outlet into which the XAV1601 is plugged. To help avoid damaging your system, be sure that the attached devices are electrically rated to operate with the power available in your location.
- If the input AC voltage is less than 125 Vac, the device plugged into the filtered AC socket of the XAV1601 might not perform as well as expected.
- DO NOT PLUG MAJOR HOME APPLIANCES into the filtered AC socket or into an attached powerstrip. The device is not intended to be used with home appliances such as air conditioners, power tools, space heaters, fans, hair dryers, ovens, or refrigerators.
- Check the electrical current for any appliance used with the device, and do not exceed home and product outlet ratings and electrical requirements.

User Manual

You can get the user manual online at
<http://downloadcenter.netgear.com>.

Compliance

For the complete EU Declaration of Conformity, visit:
http://support.netgear.com/app/answers/detail/a_id/11621/.



This symbol appears in accordance with the European Union Directive 2002/96 on the Waste Electrical and Electronic Equipment (the WEEE directive). If you dispose of this product in the European Union, treat and recycle it in accordance with your jurisdiction's laws that implement the WEEE directive.

For indoor use only in all EU countries and in Switzerland.



NETGEAR, Inc.
350 East Plumeria Drive
San Jose, CA 95134, USA



201-15225-03

August 2012

Free Manuals Download Website

<http://myh66.com>

<http://usermanuals.us>

<http://www.somanuals.com>

<http://www.4manuals.cc>

<http://www.manual-lib.com>

<http://www.404manual.com>

<http://www.luxmanual.com>

<http://aubethermostatmanual.com>

Golf course search by state

<http://golfingnear.com>

Email search by domain

<http://emailbydomain.com>

Auto manuals search

<http://auto.somanuals.com>

TV manuals search

<http://tv.somanuals.com>