

FVS114 ProSafe VPN Firewall

Start Here

Follow these instructions to set up your VPN firewall. You can also consult the *Reference Manual* on the NETGEAR Web site at <http://kbserver.netgear.com>.

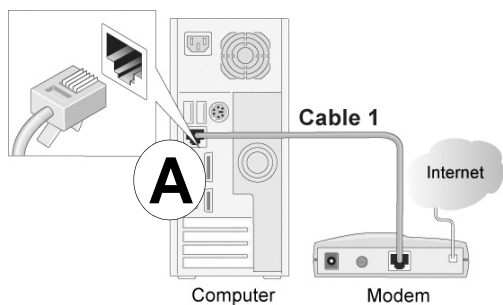
Prepare to Install Your FVS114 VPN Firewall

- *For Cable Modem Service:* When you perform the VPN firewall setup steps be sure to use the computer you used when you first set up your cable Internet connection.
- *For DSL Service:* You may need information such as the DSL login name/e-mail address and password in order to complete the VPN firewall setup.

First, Connect the FVS114

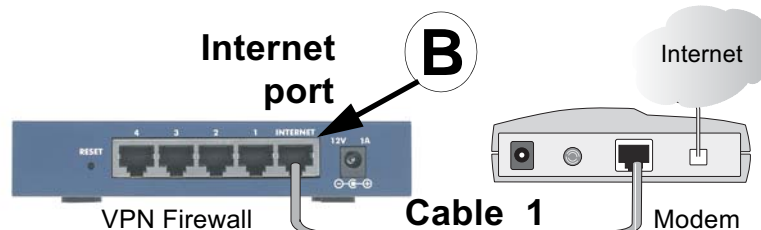
1. CONNECT THE CABLES BETWEEN THE FVS114, COMPUTER, AND MODEM

- Turn off your computer.
- Unplug and turn off the broadband modem.
- Locate the Ethernet cable (Cable 1 in the diagram) that connects your modem and computer.

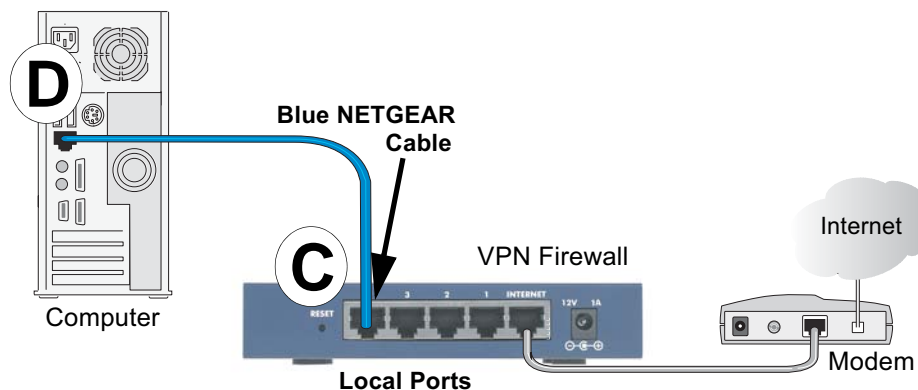


- Disconnect the cable *at the computer end only*, point A in the diagram.

- Securely insert the Ethernet cable from your modem (Cable 1 in the diagram) into the INTERNET port of the FVS114 as shown in point B of the diagram.



- Securely insert the blue cable that came with your FVS114 (the Blue NETGEAR Cable in the diagram below) into a LOCAL port on the firewall such as LOCAL port 4 (point C in the diagram), and the other end into the Ethernet port of your computer (point D in the diagram).



Your network cables are connected and you are ready to restart your network.

2. RESTART YOUR NETWORK IN THE CORRECT SEQUENCE

Warning: Failure to restart your network in the correct sequence could prevent you from connecting to the Internet.

- First, plug in the power cord to your broadband modem, turn it on, and wait two minutes.
- Now, plug in the power cord to your FVS114, turn it on, and wait one minute.
- Last, turn on your computer.

Note: For DSL customers, if ISP-provided software logs you in to the Internet, *do not* run that software. You may need to go to the Internet Explorer Tools
Download from www.Somanuals.com. All Manuals Search And Download.

menu, Internet Options, Connections tab page where you can select “Never dial a connection.”



- Check the FVS114 status lights to verify the following:

- **PWR:** The PWR light should turn solid green. If it does not turn solid green, check the adapter or the power switch.
- **TEST:** The TEST light goes on when the router is first turned on and then goes off. If after two minutes it is still on, see the Troubleshooting Tips in this guide.
- **INTERNET:** The INTERNET port LINK/ACT light should be lit. If not, make sure the Ethernet cable is securely attached to the FVS114 Internet port and the modem. Also, make sure the modem is powered on.
- **LOCAL:** A LOCAL LINK/ACT light should be lit. The 100 LED indicates your computer is communicating at 100 Mbps; off indicates 10 Mbps. If a LOCAL LINK/ACT light is not lit, check that the Ethernet cable from the computer to the firewall is securely attached at both ends, and that the computer is turned on.

Now, Configure the FVS114 for Internet Access

Use the Smart Wizard configuration assistant to configure the FVS114.

- From the Ethernet connected computer you just set up, open a browser such as Internet Explorer or Netscape® Navigator. With the FVS114 in its factory default state, your browser will display the NETGEAR Smart Wizard welcome page.
Note: If you do not see this page, type <http://www.routerlogin.net> in the browser address bar and click Enter.



Click **OK** to proceed.

If you still cannot connect to the FVS114, verify your computer networking setup. Your computer should be set to obtain *both* IP and DNS server addresses automatically, which is usually so. For help with this, please see the *Reference Manual* or animated tutorials on the *Resource CD*.

2. Follow the Smart Wizard prompts to connect to the Internet.
3. Click **Done** on the Success screen and be sure to click **OK** at the prompt to close the screen and finish.

Note: The configuration assistant only appears when the FVS114 is in its factory default state. After you configure the FVS114, it will not appear again. You can always connect to the router configuration menu to change its settings. To do so, open a browser and go to <http://www.routerlogin.net>. Then, when prompted, enter **admin** as the user name and **password** for the password both in lower case letters.

Advanced User Wizard Bypass

Technically advanced users who want to bypass the Smart Wizard configuration assistant can do so by logging on to the firewall at <http://www.routerlogin.net/basicsetting.htm> with the user name of **admin** and the password of **password**, both in lower case letters.

Troubleshooting Tips

Here are some tips for correcting common problems you may encounter.

Be sure to restart your network in this sequence:

1. Turn off and unplug the modem, turn off the FVS114, and shut down the computer.
2. Plug in and turn on the modem, wait two minutes.
3. Turn on the FVS114 and wait one minute.
4. Turn on the computer.

Make sure the Ethernet cables are securely plugged in.

- The INTERNET LINK light on the FVS114 will be lit if the Ethernet cable to the FVS114 from the modem is plugged in securely and the modem and FVS114 are turned on.
- For each powered on computer connected to the FVS114 with a securely plugged in Ethernet cable, the corresponding FVS114 LOCAL port LINK light will be lit. The front and back of the FVS114 identifies the number of each LOCAL port.

Make sure the network settings of the computer are correct.

- Ethernet cable and wirelessly connected computers should be configured to obtain IP and DNS addresses automatically via DHCP whenever possible. For help with this, please see the animated tutorials or the *Reference Manual* Appendix C on the *Resource CD*.
- Some cable modem ISPs require you to use the MAC address of the computer registered on the account. If so, in the Router MAC Address section of the Basic Settings menu, select, "Use this Computer's MAC Address." The firewall will then capture and use the MAC address of the computer that you are now using. You must be using the computer that is registered with the ISP. Click **Apply** to save your settings. Restart the network in the correct sequence.

Use the FVS114 status lights to verify correct operation.

If the FVS114 Power light does not turn solid green within two minutes of turning the firewall on, or if the Test light does not go off, reset the firewall as described in the *Reference Manual* on the *Resource CD*.

Technical Support

Thank you for selecting NETGEAR products.

After completing the Smart Wizard configuration assistant, locate the serial number on the bottom label of your product and use it to register your product at <http://www.NETGEAR.com/register>.

Registration on the web site or over the phone is required before you can use our telephone support service. The phone numbers for worldwide regional customer support centers are on the Warranty and Support Information card that came with your product.

Go to <http://kbserver.netgear.com> for product updates and Web support.



201-10506-01

April 2005

Download from [Www.Somanuals.com](http://www.Somanuals.com). All Manuals Search And Download.

©2005 by NETGEAR, Inc. All rights reserved.
NETGEAR is a registered trademark of NETGEAR, Inc. in the United States and/or other countries.
Other brand and product names are trademarks or registered trademarks of their respective holders. Information is subject to change without notice.

Free Manuals Download Website

<http://myh66.com>

<http://usermanuals.us>

<http://www.somanuals.com>

<http://www.4manuals.cc>

<http://www.manual-lib.com>

<http://www.404manual.com>

<http://www.luxmanual.com>

<http://aubethermostatmanual.com>

Golf course search by state

<http://golfingnear.com>

Email search by domain

<http://emailbydomain.com>

Auto manuals search

<http://auto.somanuals.com>

TV manuals search

<http://tv.somanuals.com>