

NETGEAR™

4 PORT 1000Mbps Gigabit Fiber Switch MODELS GS504

The GS504 Gigabit Fiber Switch is a high performance network switch that provides backbone connectivity for power workgroups, data centers, and server farms. It delivers the power of Gigabit Ethernet to speed up network performance while preserving ease of use and plug and play installation for the small business users. Once again, NETGEAR is making the latest network technology available and affordable for the small business market.



4 full-duplex Gigabit fiber ports

This network switch provides high-performance backbone connectivity between workgroups, data centers, and server farms. Multiple 100 Mbps users can concurrently access the backbone and servers without network congestion.

Powerful network switch

The GS504 is a nonblocking switch providing an aggregate throughput of up to 5.9 million packets per second and supporting 8,000 users or devices on the network. It uses multimode fiber optics technology to provide high security and a network reach of up to 260 meters.

Easy to install and use

The unit is plug and play with no software to install and no complicated options to configure. It preserves 10 and 100 Mbps Ethernet investment via 10/100 switches with Gigabit uplink ports such as the NETGEAR FS509 and FS518, and is compatible with all major network software and protocols.

Free 24-hour phone support

Free 7x24 technical support provided in English, with local language support during office hours in selected countries. This service ensures support when you need it.

GIGABIT
PERFORMANCE

EASY
INSTALLATION

KEY FEATURES

- 4 full-duplex Gigabit fiber ports
- Powerful network switch
- Easy to install and use
- Free 24-hour phone support



Bay Networks

www.NETGEARinc.com

1000BASE-SX FIBER



May 26, 1998
NetGear
Networking Products

PACKAGE CONTENTS

- Switch
- Power cord
- Rack-mount kit
- User guide
- Warranty card
- Support phone card

NETGEAR Inc.
A Bay Networks Company
4401 Great America Parkway
Santa Clara, CA 95054
USA

Phone: 1-888-NETGEAR
www.NETGEARinc.com

Technical Support

Australia	1800-14-20-46
Austria	00800-06384327
Denmark	808-82179
Finland	0800-111-036
France	0800-771-753
Germany	00800-06384327
Holland	0800-023-0981
Japan	0120-66-5402
Korea	00308-11-0319
New Zealand	0800 444 626
Norway	800-12041
Sweden	020-790086
Switzerland	00800-06384327
UK	171-571-5120
US/Canada	1-800-211-2069

August 1999

SPECIFICATIONS

Standards Compliance

IEEE 802.3z 1000BASE-SX Gigabit Ethernet

Network Port

Four Gigabit duplex SC connector for 62.5/125 or 50/125 multimode fiber

Status LEDs

Unit	power
Per network port	link, activity, full duplex/collision

Dimensions

W 330 mm (13")
D 207 mm (8.2")
H 43 mm (1.7")

Weight

2.4 kg (5.3 lb)

AC power

25 W 100-240 volt AC
Localized power cord for North America, Japan, UK, Europe, Australia

Performance (64 byte packets)

Filter rate	1,480,000 packet per sec
Forward rate	1,480,000 packet per sec
Latency	30 usec max
MAC addresses	8,000

Environmental Specifications

Operating temperature: 0°C to 40°C
Operating humidity: 90% max. relative humidity, non-condensing

Electromagnetic Compliance

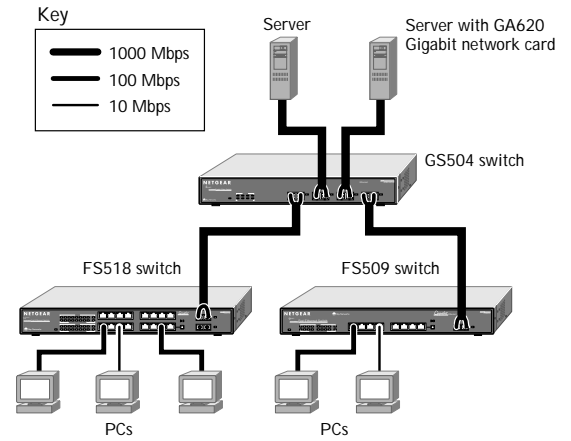
CE mark, commercial
FCC Part 15 Class A
VCCI Class A
EN 55022 (CISPR 22), Class A, EN 50082-1
C-Tick
TUV EN 60950

Safety Agency Approvals

UL listed (UL 1950)/cUL
IEC950/EN60950

Warranty

Switch - 5 years
Power supply - 1 years



NETGEAR™ is a trademark of Bay Networks, Inc. Other brand and product names are trademarks or registered trademarks of their respective holders. Information is subject to change without notice. All right reserved.

www.NETGEARinc.com



Free Manuals Download Website

<http://myh66.com>

<http://usermanuals.us>

<http://www.somanuals.com>

<http://www.4manuals.cc>

<http://www.manual-lib.com>

<http://www.404manual.com>

<http://www.luxmanual.com>

<http://aubethermostatmanual.com>

Golf course search by state

<http://golfingnear.com>

Email search by domain

<http://emailbydomain.com>

Auto manuals search

<http://auto.somanuals.com>

TV manuals search

<http://tv.somanuals.com>