



User Guide

Table of Contents

1. Introduction	2
1.1. Package Contents	2
1.2. How to Use this Guide	2
2. Installation	3
2.1. Product Description Overview	3
2.2. Switch Front and Rear Panel	3
2.2.1. NP2724M	3
2.3. LED Function	4
2.4. Reset Button	4
2.5. Installing the NP2724M	4
2.6. Rack- Mount Placement	6
2.7. Preparing for configuration	8
2.7.1. Connecting a PC or Terminal to the RS-232 Port	9
2.7.2. Terminal Emulation Setup Program	9
2.7.3. Logging on to the switch	9
2.8. Web-based configuration	9
2.8.1. Logging on the switch	10
2.9. Command Line Interface (by Console or Telnet)	10
2.9.1. Mode-based Command Hierarchy	10
2.9.2. User Mode commands	11
2.9.3. Privileged Mode commands	12
2.9.4. Global Config mode commands	20
2.9.5. Interface Config mode commands	37
3. Specifications	44
3.1. Cable specifications	44
3.2. Technical Specifications	46
3.2.1. Software Specification	46
3.2.2. Hardware Specification	47
3.2.3. Environments Specification	47
3.2.4. Standard Conformance	48
4. Legal and Regulatory Information	49

1. Introduction

Thank you for choosing the NetComm NP2724M 24 port 10/100 + 2 Gigabit VLAN Managed Switch. These switches are a cost-effective switching solution idea for small business and the network edge. It provides Quality of Service (QoS) features, such as 802.1p, DSCP and Rate Control, to ensure the traffic is prioritized properly to deliver real-time applications like voice and video and to also maintain a good control in network bandwidth usage. The 802.1Q feature enables you to separate the network traffic easily and quickly. The Network Security features, like ACL, Port Security, Storm Control, 802.1X and Management IP List, enables you to prevent unauthorized access to company network and block intentional or inadvertent network traffic. The Spanning Tree Protocol (STP) provides you a loop-free network. The IGMP snooping enables you to have efficient network usage in IP multicast environment. The one-to-one or many-to-one Port Mirroring feature of the switch enables you to monitor the traffic on the network. With these features, you can build or expand your network quickly and easily.

1.1. Package Contents

The package content contains the following:

- > 1 x NP2724M
- > 1 x RS-232 cable
- > 1 x Power cord/adaptor
- > 1 x A set of brackets.
- > 1 x CD for user manual

If any of the listed items is missing or damaged, please contact the place of purchase.

1.2. How to Use this Guide

This user guide is structured as follows:

Chapter 2 Installation explains the functions of the switch and how to physically install it.

Chapter 3 Configuration explains how to set up and modify the configuration of the switch.

Chapter 4 Specifications contains information about the cables, and the technical specifications of the switch.

2. Installation

This chapter describes the function of the NP2724M switch components and shows how to install it on the desktop or shelf. Basic knowledge of networking is assumed. Read this chapter completely before continuing.

2.1. Product Description Overview

NP2724M supports 802.1Q VLAN, QoS, 802.1d / 1w/ 1s Spanning Tree Protocol, 802.1x, Port Security, Port Mirroring, IGMP Snooping, SNTP, Storm Control, Rate Control, SNMP features.

2.2. Switch Front and Rear Panel

2.2.1. NP2724M

The front panel of the NP2724M 24 port 10/100 + 2 Gigabit VLAN Managed switch has 24 10/100 Mbps copper ports at the left, 2 10/100/1000 Mbps copper ports and 2 Gigabit SFP slots at the right. The product name is indicated at the top on the left. Figure 2.2.1a shows a front panel of the switch.

The rear panel has a power connector, and figure 2.2.1b shows a rear panel of the switch. Table 2.2.1c shows the port function of the switch.

Figure 2.2.1a Front Panel



(FIG 2.2.1a NEED TO REPLACED BY THE FRONT PANEL IMAGE OF NP2724M)

Figure 2.2.1b Rear Panel



Table 2.2.1c Port Function

Port	Function
1~24	This is where you connect the Cat.3, 5, 5e or better Ethernet cable for 10/100 Mbps Ethernet

	connection.
G1, G2	This is where you connect the Cat. 5e or better Ethernet cable for 10/100/1000 Mbps Ethernet connection
miniGBIC	This is where you connect the SFP module for fiber connection.
Console	This is where you connect the RS-232 cable for CLI management.
Power	This is where you connect the AC power cord.

2.3. LED Function

This section explains the definition of the Switch's LEDs on the front panel.

1. NP2724M

POWER (Green) LED lights up, it shows the system is powered up.

LINK/ACT(Green) LED lights up, it indicates a successful connection of that port is established. Otherwise, it indicates the link is off or no-link detected of that port. When the LED blinks, it indicates the port is in activity and transmitting data;

1000Mbps (Amber) LED lights up only when the corresponding port works at 1000Mbps.

2.4. Reset Button

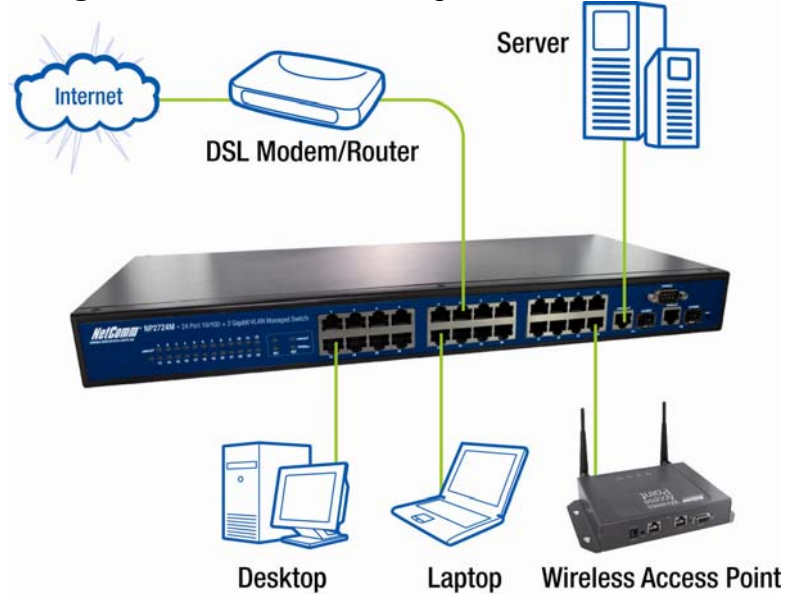
There is a Reset button on the front panel, which has two functionalities:

- a) To restore switch configuration to factory defaults
Press the **Reset** button for **more than** 10 seconds, switch configuration will be restored to factory defaults and then reboots.
- b) To reboot switch
Press the **Reset** button for **less than** 10 seconds, switch will reboot.
Please note, you will lose unsaved change when doing this.

2.5. Installing the NP2724M

This section describes how to install and make connection to your NP2724M Managed Switch. The following diagrams shows the a typical network configuration, Figure 2.5.1 shows the network configuration for NP2724M

Figure 2.5.1 Network Configuration for NP2724M



(NEED TO REPLACED BY the FRONT PANEL IMAGE of a NP2724 switch)

Read and perform the following procedures to install the switch,

Pre-Installation Considerations

Gigabit Considerations:

If you will use the switch for Gigabit applications, keep in mind that the maximum UTP cabling length of Category 5e cable is 328 feet (100 meters).

Positioning the switch:

When choosing a location for the switch, observe the following guidelines: Keep enough ventilation space between the switch and the surrounding objects.

Keep cabling away from sources of electrical noise, power lines, and fluorescent lighting fixtures.

Do not stack free-standing switch more than four units high. One other way to deploy multiple NP2724M's is by using a star network topology and connect.

Desktop or Shelf Mounting

To install the switch on a desktop or shelf, simply complete the following steps:

Step 1

Place the switch on a desktop or shelf near an AC power source.

Step 2

Keep enough ventilation space between the switch and the surrounding objects.

Note:

When choosing a location, keep in mind the environmental restrictions discussed in Chapter 4, Specifications.

Step 3

Connect the switch to network devices.

A. Connect one end of a standard network cable to the RJ-45 ports on the front of the switch.

B. Connect the other end of the cable to the network devices such as printer servers, workstations or routers.

Note: It is recommended to use the UTP Category 5e network cabling with RJ-45 tips for the network connection. For more information, please see the Cable Specifications in Chapter 4, Specifications.

Step 4

Supply power to the switch.

A. Connect one end of the power cable to the switch.

B. Connect the power cube end of the power cable to a standard wall outlet.

2.6. Rack- Mount Placement

Before mounting the Switch, please read the following instructions carefully,

A) Elevated Operating Ambient - If installed in a closed or multi-unit rack assembly, the operating ambient temperature of the rack environment may be greater than room ambient. Therefore, consideration should be given to installing the equipment in an environment compatible with the maximum ambient temperature (T_{ma}) specified by the manufacturer.

B) Reduced Air Flow - Installation of the equipment in a rack should be such that the amount of air flow required for safe operation of the equipment is not compromised.

C) Mechanical Loading - Mounting of the equipment in the rack should be such that a hazardous condition is not achieved due to uneven mechanical loading.

D) Circuit Overloading - Consideration should be given to the connection of the equipment to the supply circuit and the effect that overloading of the circuits might have on overcurrent protection and supply wiring. Appropriate consideration of equipment nameplate ratings should be used when addressing this concern.

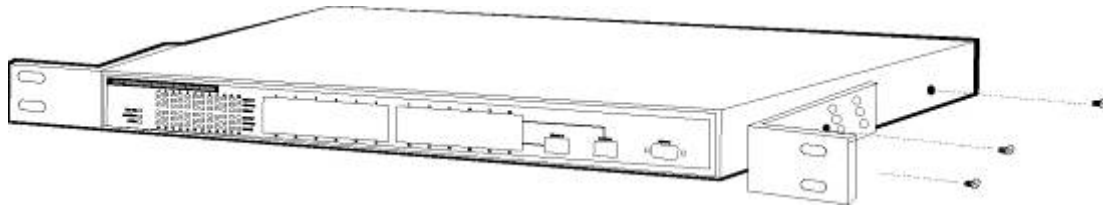
E) Reliable Earthing - Reliable earthing of rack-mounted equipment should be maintained. Particular attention should be given to supply connections

other than direct connections to the branch circuit (e.g. use of power strips)."

To mount the Switch in any standard-sized, 19-inch wide, 1U high rack, please follow these instructions:

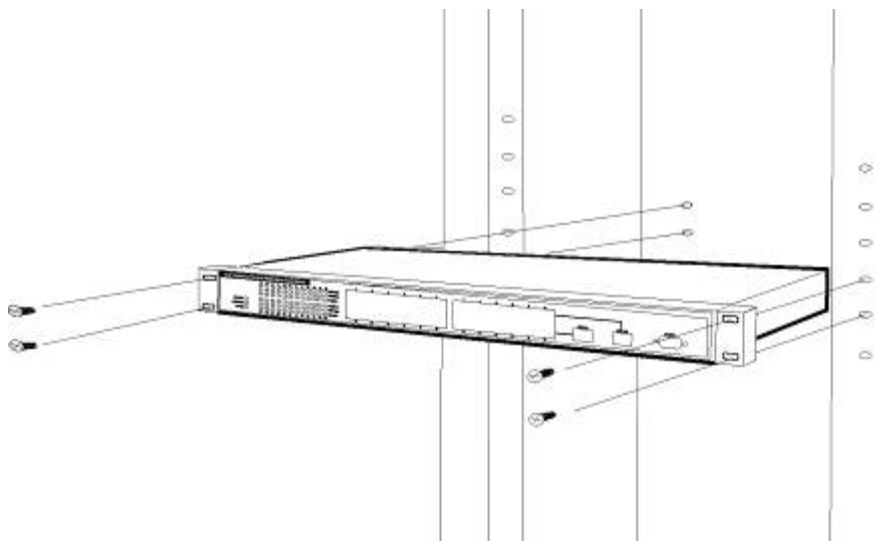
Place the Switch on a hard flat surface with the front panel facing you. Attach a rack-mount bracket to one side of the Switch with the supplied screws. Then attach the other bracket to the other side. (Figure 2.6.1)

Figure 2.6.1



Make sure the brackets are properly attached to the Switch. Use the appropriate screws (not included) to securely attach the brackets to your rack. (Figure 2.6.2)

Figure 2.6.2



Configuration

This Chapter will describe the use of the NP2724M Management configuration program.

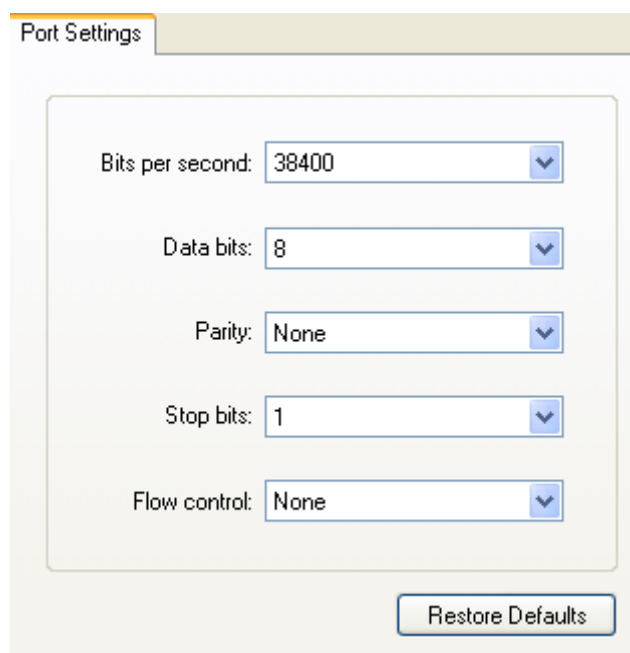
2.7. Preparing for configuration

NP2724M offers a console CLI interface for switch configuration and web management. Users can use this interface to perform device configuration.

There are four methods to manage your switch:

Local Console Management

You can manage the NP2724M switch locally by connecting the switch to a PC or workstation with terminal emulation software using the serial port.



Port Settings

Bits per second: 38400

Data bits: 8

Parity: None

Stop bits: 1

Flow control: None

Restore Defaults

Remote Console Management

You can manage the switch by having a remote host establish a Telnet connection to the switch via an Ethernet or modem link.

SNMP Management

You can manage the switch across a LAN using an SNMP Network Management Station with a graphical user interface. Note that to use this management method, your network must use the IP protocol and your switch must be configured on the Network with a proper IP address.

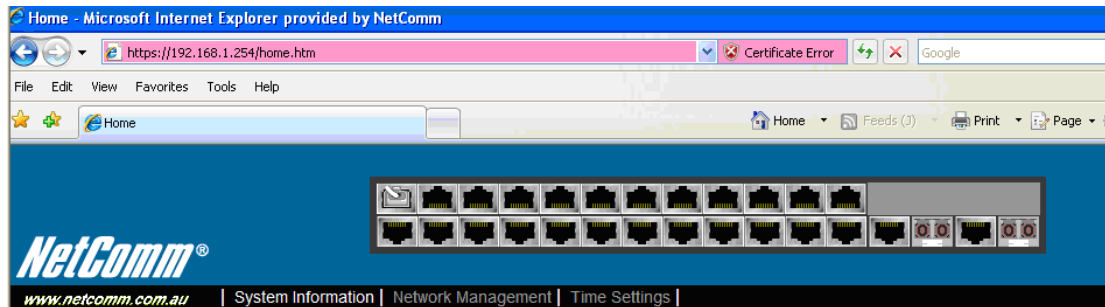
Web-Browser

You can manage the switch through a web connection by connecting to the switch's IP address using your web browser.

NP2724M default IP address: <http://192.168.1.254>

Default User Name: admin

Default Password: (blank)



This User Guide provides instructions on how to configure the switch using the console interface. Read the following sections to start up!

2.7.1. Connecting a PC or Terminal to the RS-232 Port

When you are ready to configure the Management Function of the switch, make sure you have connected the supplied RS-232 serial cable to the RS-232 port at the front panel of your switch and your PC.

2.7.2. Terminal Emulation Setup Program

Run a terminal emulation program with the following setting.

Emulation: VT-100 compatible

Baud per second: 38400

Data bits: 8

Parity: None

Stop bits: 1

Flow Control: None

2.7.3. Logging on to the switch

Enter the factory default user name “**admin**” with no password when logging on to the switch. The password is set to be empty. If you can enter “?” on the command line screen, it will display all items so that you can configure by your requirements.

2.8. Web-based configuration

The Switch provides a Web-based interface for configuring and managing the

Switch. This interface allows you to access the switch using the Web browser of your choice.

2.8.1. Logging on the switch

To log on to the Switch:

1. In your web browser, specify the IP address of NP2724M. Default IP address is **192.168.1.254**.
2. Enter the factory default user name: “admin” and no password to login to the web management interface of the switch.

2.9. Command Line Interface (by Console or Telnet)

2.9.1. Mode-based Command Hierarchy

The Command Line Interface (CLI) groups all the commands in appropriate modes by the nature of the commands. Examples of the CLI command modes are described below. Each of the command modes supports specific switch’s commands.

The CLI Command Modes table captures the command modes, the prompts visible in that mode and the exit method from that mode.

Table 1 CLI Command Modes

Command Mode	Access Method	Prompt	Exit or Access Previous Mode
User Mode	This is the first level of access. Perform basic tasks and list system information.	COMMAND>	Enter Logout command
Privileged Mode	From the User Mode, enter the enable command.	Switch#	To exit to the User Mode, enter exit or Logout.
Global Config Mode	From the Privileged Mode, enter the configuration command.	Switch (Config)#	To exit to the Privileged Mode, enter the exit command.
Interface Config Mode	From the Global Config mode, enter the interface <port#> command.	Switch (Interface <port#>)#	To exit to the Global Config mode, enter exit.

The CLI is divided into various modes. The commands in one mode are not available until the operator switches to that particular mode. The commands available to the operator at any point in time depend upon the mode. Entering a question mark (?) at the CLI prompt, and displays a list of the available commands and descriptions of the commands.

The CLI provides the following modes:

User Mode

When the operator logs into the CLI, the User Mode is the initial mode. The User Mode contains a limited set of commands. The command prompt shown at this level is:

Command Prompt: COMMAND>

Privileged Mode

To have access to the full suite of commands, the operator must enter the Privileged Mode. The Privileged Mode requires password authentication. From Privileged Mode, the operator can issue any Exec command to enter the Global Configuration mode. The command prompt shown at this level is:

Command Prompt: Switch#

Global Config Mode

This mode permits the operator to make modifications to the running configuration. General setup commands are grouped in this mode. From the Global Configuration mode, the operator can enter the Interface Configuration mode. The command prompt at this level is:

Command Prompt: Switch(Config)#

From the Global Config mode, the operator may enter the following configuration modes:

Interface Config Mode

Many features are enabled for a particular interface. The Interface commands enable or modify the operation of an interface. In this mode, a physical port is set up for a specific logical connection operation. The command prompt at this level is:

Command Prompt: Switch(Interface <port#>)#

2.9.2. User Mode commands

help

This command displays help information

Format help

Mode User Mode

?

This command displays help information

Format help

Mode User Mode

logout

This command is used to exit from the telnet

Format logout

Mode User Mode

ping

This command sends echo messages.

Format ping <A.B.C.D>

Mode User Mode

show

1) show port

This command displays port status.

Format show port {<port#> | all}

Mode User Mode

2) show network

This command displays switch IP configuration

Format show network

Mode User Mode

3) show system

This command displays system information.

Format show system

Mode User Mode

4) show port statistics

This command displays port statistics.

Format show port statistics {<port#> | all}

Mode User Mode

enable

Enter to the Privileged Mode

Format enable

Mode User Mode

2.9.3.Privileged Mode commands

cable-diag

This command is used to proceed cable diagnostic

Format cable-diag port <port ID>

Mode Privileged Mode

e.g. Switch#cable-diag port 1

clear

1) clear arl

This command is used to clear ARL table entries

Format clear arl

Mode Privileged Mode

2) clear arl dynamic

This command is used to Clear dynamic arl table entries

Format clear arl dynamic

Mode Privileged Mode

3) clear arl static

This command is used to clear static arl table entries

Format clear arl static mac <mac-addr>

Mode Privileged Mode

4) clear config

This command is used to restore switch factory default configuration

Format clear config

Mode Privileged Mode

5) clear counters

This command is used to clear RMON statistics for entire switch

Format clear counters

Mode Privileged Mode

6) clear igmpsnooping

This command is used to restore igmpsnooping configuration to factory default

Format clear igmpsnooping

Mode Privileged Mode

7) clear static-mcast

This command is used to clear static multicast groups

Format clear static-mcast

Mode Privileged Mode

8) clear pass

This command is used to restore administrator's password to factory default

Format clear pass

Mode Privileged Mode

9) clear lacp

This command is used to restore LAG and LACP configuration to factory default

Format clear lacp

Mode Privileged Mode

10) clear logs

This command is used to clear memory/flash logs

Format clear logs

Mode Privileged Mode

11) clear vlan

This command is used to delete all VLAN groups

Format clear vlan

Mode Privileged Mode

configuration

Enter into Global Configuration mode

Format configuration

Mode Privileged Mode

copy

This command is used to upload file from switch to host, or download file to switch from host

1) copy nvram_config

This command is used to backup switch configuration

Format copy nvram_config tftp <A.B.C.D> file <filename>

Mode Privileged Mode

e.g. Switch#copy nvram_config tftp 192.168.1.100 file switch_configuration

2) copy system_image

This command is used to backup switch runtime image

Format copy system_image tftp <A.B.C.D> <filename>

Mode Privileged Mode

e.g. Switch#copy system_image tftp 192.168.1.100 image_file

3) copy tftp

This command is used to upload configuration or runtime image

Format copy tftp <A.B.C.D> file <filename> {nvram_config | system_image}

Mode Privileged Mode

e.g. Switch#copy tftp 192.168.1.100 file switch_configuration nvram_config

Switch#copy tftp 192.168.1.100 file runtime_code system_image

exit

This command is used to exit current shell

Format exit

Mode Privileged Mode

help

This command displays help information

Format help

Mode Privileged Mode

logout

This command is used to exit current shell

Format logout

Mode Privileged Mode

ping

This command is used to proceed ping destination host

Format ping <A.B.C.D>

Mode Privileged Mode

reload

This command is used to reboot system

Format reload

Mode Privileged Mode

save

This command is used to save configuration

Format save

Mode Privileged Mode

show

This command is used to show configured data

1) show qos

This command display class of service information

1.1) show qos cos

This command display the cos mapping

Format show qos cos

Mode Privileged Mode

1.2) show qos queue-settings

- This command display the queue-settings mapping
- Format** show qos queue-settings
- Mode** Privileged Mode
1. 3) show qos advanced

This command display qos advanced mode information

 - 1.3.1) show qos advanced mode

This command display mode of qos

Format show qos advanced mode

Mode Privileged Mode
 - 1.3.2) show qos advanced dscp

This command display qos dscp mapping

Format show qos advanced dscp

Mode Privileged Mode
 - 1.3.3) show qos advanced ip-precedence

This command display qos ip precedence mapping

Format show qos advanced ip-precedence

Mode Privileged Mode
 - 1.4) show qos port-based

This command is used to display class of service information

 - 1.4.1) show qos port-based port

This command display class of service information

Format show qos port-based port <port-ID>

Mode Privileged Mode
 - 1.4.2) show qos port-based all

This command display all switch interfaces' cos settings

Format show qos port-based all

Mode Privileged Mode
- 2) show dot1x

This command display dot1x information

 - 2.1) show dot1x config

This command display dot1x and port configuration

Format show dot1x config

Mode Privileged Mode
 - 2.2) show dot1x radius

This command display radius configuration

Format show dot1x radius

Mode Privileged Mode
 - 2.3) show dot1x statistics

This command display dot1x statistics

Format show dot1x statistics

Mode Privileged Mode
 - 3) show igmp snooping

This command display IGMP snooping information

 - 3.1) show igmp snooping dynamic_router_port

This command display dynamic router ports information

Format show *igmp* snooping dynamic_router_port

Mode Privileged Mode
 - 3.2) show IGMP snooping groups

This command is used to display *igmp* groups information

Format show IGMP snooping groups

Mode Privileged Mode

- 4) show interface
This command is used to display summary statistics
 - 4.1) show interface history
This command is used to display port RX and TX
Format show interface history <port-ID>
Mode Privileged Mode
 - 4.2) show interface statistics
This command is used to display port summary statistics
Format show interface statistics <port-ID>
Mode Privileged Mode
- 5) show lag
This command is used to display link aggregation groups information
 - 5.1) show lag lag-index
This command is used to specify an switch lag
Format show lag lag-index <port-ID>
Mode Privileged Mode
 - 5.2) show lag all
This command is used to display all switch lag
Format show lag all <port-ID>
Mode Privileged Mode
- 6) show lldp
This command is use to display lldp statistics
 - 6.1) show lldp statistic
This command is used to display lldp statistic
Format show lldp statistic
Mode Privileged Mode
 - 6.2) show lldp local
This command is used to display local information
Format show lldp local
Mode Privileged Mode
 - 6.3) show lldp msap
This command is used to display msap information
Format show lldp msap
Mode Privileged Mode
 - 6.4) show lldp msap-entry
This command is used to display msap details information
Format show lldp msap-entry <1..26>
Mode Privileged Mode
- 7) show logging
This command is used to display trap records
 - 7.1) show logging memory-log
This command display memory log
Format show logging memory-log
Mode Privileged Mode
 - 7.2) show logging flash-log
This command display flash logs
Format show logging flash-log
Mode Privileged Mode
- 8) show monitor
This command is used to display port mirroring settings
Format show monitor

- Mode** Privileged Mode
- 9) show network
This command is used to configuration for inband connectivity
Format show network
Mode Privileged Mode
- 10) show port
This command is used to display port mode and settings, display port status
- 10.1) show port port-index
This command is used to specify an switch interface
Format show port port-index <port-ID>
Mode Privileged Mode
- 10.2) show port all
This command is used to display all switch interface
Format show port all
Mode Privileged Mode
- 11) show port-security
This command is used to display port security settings
- 11.1) show port-security port
This command is used to specify an switch interface
Format show port-security port <port-ID>
Mode Privileged Mode
- 11.2) show port-security all
This command is used to display all interfaces' status
Format show port-security all
Mode Privileged Mode
- 12) show rate-limit
This command is used to ingress and egress rate limit information
- 12.1) show rate-limit port
This command is used to specify an switch interface
Format show rate-limit port <port-ID>
Mode Privileged Mode
e.g. Switch#Show rate-limit port 1
Switch#Show rate-limit port g1
- 12.2) show rate-limit all
This command is used to display all interfaces' status
Format show Rate-Limit all
Mode Privileged Mode
- 13) show running-config
This command is used to display switch running config
Format show running-config
Mode Privileged Mode
- 14) show snmp
This command is used to display all snmp config
- 14.1) show snmp groups
This command display all snmp groups
Format show snmp groups
Mode Privileged Mode
- 14.2) show snmp users
This command display all snmp users
Format show snmp users
Mode Privileged Mode

- 3) show snmp communities
This command display all snmp communities
Format show snmp communities
Mode Privileged Mode
- 15) show snmp
This command is used to display switch snmp information
Format show snmp
Mode Privileged Mode
- 16) show spanning-tree
This command displays Spanning Tree information
- 16.1) show spanning-tree interface
This command displays RSTP ports information
- 16.1.1) show spanning-tree interface port
This command specify an switch interface
Format show spanning-tree interface port<*port-ID*>
Mode Privileged Mode
- 16.1.2) show spanning-tree interface all
This command display all switch interface
Format show spanning-tree interface all
Mode Privileged Mode
- 16.2) show spanning-tree mst
This command display MST information
- 16.2.1) show spanning-tree mst detailed
This command display a MST instance information
Format show spanning-tree mst detailed <*0..4094*>
Mode Privileged Mode
- 16.2.2) show spanning-tree mst instance
This command display ports information on a MST instance
Format show spanning-tree mst instance <*0..4094*>
Mode Privileged Mode
- 16.2.3) show spanning-tree mst summary
This command display all MST instance information
Format show spanning-tree mst summary
Mode Privileged Mode
- 16.2.4) show spanning-tree status
This command is used to display spanning-tree status
Format show Spanning-tree status
Mode Privileged Mode
- 17) show storm-control
This command is used to display storm-control information
Format show storm-control
Mode Privileged Mode
- 18) show sysinfo
This command is used to display system information including system up time
Format show sysinfo
Mode Privileged Mode
- 19) show switch
This command is used to display switch information
- 19.1) show switch admin-time
This command display the age time of web and console

- Format** show switch admin-time
Mode Privileged Mode
- 19.2) show switch age-time
 This command display the age time of L2 table
Format show switch age-time
Mode Privileged Mode
- 19.3) show switch mac-table
 This command is used to display address resolution protocol cache
Format show switch mac-table
Mode Privileged Mode
- 19.4) show switch mcast-table
 This command display multicast address table
Format show switch mcast-table
Mode Privileged Mode
- 20) show trapflags
 This command is used to display the value of trap flags that apply to the switch
Format show trapflags
Mode Privileged Mode
- 21) show vlan
 This command is used to display vlan configuration
- 21.1) show vlan member
 This command display vlan configuration
Format show vlan member <1..4094>
Mode Privileged Mode
- 21.2) show vlan number
 This command display how many vlan has been created
Format show vlan number
Mode Privileged Mode
- 22) show rmon
- 22.1) show rmon event
- 22.2) show rmon event Index
 This command displays rmon Event.
Format show rmon event index <1..65535>
Mode Privileged Mode
- 22.3) show rmon event
Format Show rmon event<CR>
Mode Privileged Mode
- 22.4) show rmon event log
 This command displays rmon event log.
Format Show rmon Event log event index <1..65535>
Mode Privileged Mode
- 22.5) show rmon alarm
- 22.5.1) show rmon alarm index
 This command displays rmon Alarm.
Format show rmon alarm index <1..65535>
Mode Privileged Mode
- 22.5.2) show rmon alarm
Format show rmon alarm<CR>
Mode Privileged Mode
- 22.5.3) show rmon event log

This command displays rmon event log.

Format show rmon event log event index <1..65535>

Mode Privileged Mode

22.6) show rmon history

This command displays rmon history.

Format show rmon history index <1..65535>

Mode Privileged Mode

22.7) show rmon statistics

This command displays port rmon statistics.

Format Show rmon statistics

Mode Privileged Mode

23) show poe

This command is used to display poe mode and settings, display poe port status

23.1) show poe port-index

This command is used to specify an switch poe interface

Format show poe port-index <port-ID>

Mode Privileged Mode

23.2) show poe all

This command is used to display all switch poe interface

Format show poe all

Mode Privileged Mode

24) show tacplus

This command is used to display TACACS+ information, includes authentication type and server parameters.

Format show tacplus

Mode Privileged Mode

telnet

This command telnet the other host.

Format telnet <A.B.C.D>

Mode Privileged Mode

2.9.4. Global Config mode commands

exit

This command is used to exit current shell

Format exit

Mode Global Config

vlan

This command is used to configure vlan

1) vlan add

This command is used to create a new vlan

1.1) vlan add number

This command enter a vlan ID

Format vlan add number <vlan-ID>

Mode Global Config

- 1.2) vlan add range
 - This command enter a range of vlan ID
 - Format** vlan add range from < *vlan-ID* > to <*vlan-ID*>
 - Mode** Global Config
- 2) vlan delete
 - This command remove a existed vlan
 - Format** vlan delete <*vlan-ID*>
 - Mode** Global Config
- 3) vlan ingress
 - This command performs ingress vlan source port membership check
 - 3.1) vlan ingress forward
 - The command is used to forward frame but don't learn SA into ARL table
 - Format** vlan ingress forward
 - Mode** Global Config
 - 3.2) vlan ingress drop
 - This command is used to drop frames violation vid
 - Format** vlan ingress drop
 - Mode** Global Config
 - 3.3) vlan ingress bypass
 - This command is used to forward frame and learn SA into ARL table
 - Format** vlan ingress bypass
 - Mode** Global Config
- 4) vlan port
 - This command is used to configure 802.1Q port parameters for vlans
 - 4.1) vlan port all
 - This command is used to configure all ports
 - 1.1) vlan port all port-configure
 - This command is used to configure ports in a specific vlan
 - Format** vlan port all port configure <*vlan-ID*>
 - Mode** Global Config
 - 1.2) vlan port all protected
 - This command is used to configure protected ports
 - Format** vlan port all protected {enable|disable}
 - Mode** Global Config
 - 1.3) vlan port all pvid
 - This command is used to configure port pvid
 - Format** vlan port all pvid <*vlan-ID*>
 - Mode** Global Config
 - 4.2) vlan port ports
 - This command is used to configure multiple ports
 - 4.2.1) vlan port ports port-configure
 - This command is used to configure ports in a specific vlan
 - Format** vlan port ports port-configure <*vlan-ID*>
 - Mode** Global Config
 - 4.2.2) vlan port ports protected
 - This command is used to configure protected ports
 - Format** vlan port ports protected {enable|disable}
 - Mode** Global Config
 - 4.2.3) vlan port ports pvid
 - This command is used to configure port vid
 - Format** vlan port ports pvid < *vlan-ID*>

Mode Global Config

5) vlan lag

This command is used to configure lag to a special vlan

5.1) vlan lag vlan <vlan-id> exclude

This command is used to remove lag from a vlan

Format vlan lag vlan <vlan-ID> exclude lags <lag-ID>

Mode Global Config

5.2) vlan lag vlan <vlan-ID> untagged

This command is used to set to untagged lag.

Format vlan lag vlan <vlan-ID> untagged lags <lag-ID>

Mode Global Config

5.3) vlan lag vlan <vlan-ID> tagged

This command is used to set to tagged lag.

Format vlan lag vlan <vlan-ID> tagged lags <lag-ID>

Mode Global Config

bridge

This command is used to configure switch aging time

Format bridge aging-time <0-1048575>

Mode Global Config

lacp-syspri

This command is used to configure lacp system priority

Format lacp-syspri system-priority <0-65535>

Mode Global Config

link-aggregation

This command is used to configure link aggregation

1) link-aggregation addport

This command is used to configure LAG groups

Format Link Aggregation addport lag <LAG-ID>

Mode Global Config

2) link aggregation delport

This command remove ports from LAG

2.1) Link Aggregation delport all

This command remove all ports from a LAG

Format link-aggregation-delport all lag <LAG-ID>

Mode Global Config

2.2) link aggregation delport lag

This command remove specify LAG group

Format link aggregation delport lag <LAG-ID>

Mode Global Config

lldp

1) lldp enable

This command is used to enable lldp functions

Format lldp enable

Mode Global Config

2) lldp disable

This command is used to disable lldp functions

Format lldp disable

- Mode** Global Config
- 3) lldp adv-interval
This command is used to specify advertised interval in seconds
Format lldp adv-interval <5-32768>
Mode Global Config
 - 4) lldp fast-startcnt
This command is used to specify fast-start count
Format lldp fast-startcnt <1-10>
Mode Global Config
 - 5) lldp hold
This command is used to specify hold value
Format lldp hold <2-10>
Mode Global Config
 - 6) lldp notify-interval
This command is used to specify notification interval in seconds
Format lldp notify-interval <5-3600>
Mode Global Config
 - 7) lldp reinit-delay
This command is used to specify re-initialization delay in seconds
Format lldp reinit-delay <1-10>
Mode Global Config
 - 8) lldp tx-delay
Transmit Delay in seconds
Format lldp tx-delay <1-8192>
Mode Global Config
 - 9) lldp mgmt-addrtxport
A range of ports can be set.
Format lldp mgmt-addrtxport ports <port list>
Mode Global Config
e.g. switch(config)# lldp mgmt-addrtxport ports 1
switch(config)# lldp mgmt-addrtxport ports 1-4

log

This command is used to configure log server

- 1) log log-server
This command is used to configure log server
 - 1.1) log log-server name <WORD>add
This command is used to specify log server name, enter a name, up to 12 characters, add a log server IP address
Format log log-server name <WORD> add ipaddr word
Mode Global Config
 - 1.2) log log-server name <word> delete
This command is used to delete a log server
Format log log-server name <WORD> delete
Mode Global Config
- 2) log logging-target
This command is used to configure log notification level
 - 2.1) log logging-target memory
This command is used to specify memory log notify-level
Format log logging-target memory {enable|disable}
Mode Global Config

2.2) log logging-target flash

This command is used to specify flash log notify-level

Format log logging-target flash {enable|disable}

Mode Privileged Mode

2.3) log logging-target console

This command is used to specify console log notify-level

Format log logging-target console {enable|disable}

Mode Global Config

2.4) log logging-target server

This command is used to specify console log notify-level

Format log logging-target server name <WORD> {enable|disable}

Mode Global Config

radius-server

This command is used to configure radius server

Format radius-server ip <IP addr>

Mode Global Config

static-address

This command is used to specify static address

1) static-address add

This command is used to add static mac address

Format static-address add <mac addr> vid <vlan-ID> port <port-ID>

Mode Global Config

2) static-address delete

This command is used to delete static mac address

Format static-address delete <mac addr> vid <vlan-ID>

Mode Global Config

mgmt-access list

1) mgmt-accesslist ipaddr

This command specifies a management access IP for the DUT, up to 8 IP address can be set.

Format mgmt-accesslist ipaddr <IP addr>

Mode Global Config

2) mgmt-accesslist enable

This command enables management access list. Only the IP address specified in the management list is allowed to access DUT.

Format mgmt-accesslist enable

Mode Global Config

3) mgmt-accesslist disable

This command disables management access list.

Format mgmt-accesslist disable

Mode Global Config

monitor

1) monitor enable

This command enables port mirroring.

Format monitor enable

Mode Global Config

2) monitor disable

This command disables port mirroring.

Format monitor disable

Mode Global Config

3) monitor des

Configure destination port.

3.1) monitor des <port-ID> probetype bidirection

This command configures port monitor probetype as bi-direction traffic.

Format monitor des <port-ID> probetype bidirection src <port list>

Mode Global Config

e.g. Switch(config)# monitor des 1 probetype bidirection src 2-8

3.2) monitor des <port-ID> probetype ingress

This command configures port monitor probetype as ingress traffic.

Format monitor des <port-ID> probetype ingress src <port list>

Mode Global Config

e.g. Switch(config)# monitor des 1 probetype ingress src 2-8

3.3) monitor des <port-ID> probetype egress

This command configures port monitor probetype as egress traffic.

Format monitor des <port-ID> probetype egress src <port list>

Mode Global Config

e.g. Switch(config)# monitor des 1 probetype egress src 2-8

dot1x

1) dot1x enable

This command enables global 802.1x function.

Format dot1x enable

Mode Global Config

2) dot1x disable

This command disables global 802.1x function.

Format dot1x disable

Mode Global Config

3) dot1x port-control

Configure port auto-authentication mode.

3.1) dot1x port-control enable

This command set auto-authorized on a list of ports.

Format dot1x port-control enable port <port list>

Mode Global Config

3.2) dot1x port-control disable

This command set force authorized on a list of ports.

Format dot1x port-control disable port <port list>

Mode Global Config

e.g. Switch(config)# dot1x port-control disable port 1-4

network

1) network mgmt-vlan

This command changes management vlan.

Format network mgmt-vlan <vlan-ID>

Mode Global Config

2) network parms

This command configures static IP address of the switch.

Format network parms <IP addr> <subnet mask> <gateway>

- Mode** Global Config
- 3) network protocol
This command configure switch dhcp client.
Format network protocol {dhcp|none}
Mode Global Config
- 4) network dhcp-relay
Configure switch dhcp relay functions.
- 4.1) network dhcp-relay mode
This command configures dhcp relay mode.
Format network dhcp-relay mode {enable|disable}
Mode Global Config
- 4.2) network dhcp-relay server
This command configures dhcp-relay server ip-address.
Format network dhcp-relay server <A.B.C.D>
Mode Global Config
- 4.3) network dhcp-relay vlan
Configure dhcp-relay option-82 vlan information.
- 3.1) network dhcp-relay vlan <vlan-ID> add
This command enters a vlan which will be enable DHCP-relay option82.
Format network dhcp-relay vlan <vlan-ID> add
Mode Global Config
- 3.2) network dhcp-relay vlan <vlan-ID> remove
This command enters a vlan which will be disable dhcp-relay option82.
Format network dhcp-relay vlan <vlan-ID> remove
Mode Global Config
- 5) network sysinfo
Configure switch system information.
- 5.1) Network sysinfo sysname
This command configures system name.
Format network sysinfo sysname <WORD>
Mode Global Config
- 5.2) network sysinfo syslocate
This command configures system location.
Format network sysinfo syslocate <WORD>
Mode Global Config
- 5.3) network sysinfo syscontact
This command configures system contact information.
Format network sysinfo syscontact <WORD>
Mode Global Config
- 6) network admin-timeout
This command configures web/console admin time out interval.
'0' means disable.
Format network admin-timeout <0-65535>
Mode Global Config
- port-all
- 1) port-all admin-mode
This command configures ports admin mode.
Format port-all admin-mode {enable | disable}
Mode Global Config
- 2) port-all auto-negotiate

- This command configures ports auto-negotiation mode.
Format port-all auto-negotiate {enable|disable}
Mode Global Config
- 3) port-all flow-control
This command configures ports flow control.
Format port-all flow-control {enable|disable}
Mode Global Config
- 4) port-all portsec-lockmode
Configure port security.
- 4.1) port-all portsec-lockmode none
This command disable port security.
Format port-all portsec-lockmode none
Mode Global Config
- 4.2) port-all portsec-lockmode dynamic
This command enable limited dynamic lock mode.
Format port-all portsec-lockmode dynamic max-entries <0-24>
Mode Global Config
- 5) port-all rate-limit
Configure rate limit value on all ports.
- 5.1) port-all rate-limit egress
This command specifies egress rate limit.
Format port-all Rate-Limit egress <value>
Mode Global Config
- 5.2) port-all rate-limit ingress
This command specifies ingress rate limit.
Format port-all rate-limit ingress <value>
Mode Global Config
- 6) port-all rmon-counter
This command configures rmon counter capability on ports.
Format port-all rmon-counter {enable|disable}
Mode Global Config
- 7) port-all speed
This command configures ports speed.
Format port-all speed {10hd|10fd|100hd|100fd}
Mode Global Config
- 8) port-all storm-control
Configure all ports' storm control settings.
- 8.1) port-all storm-control disable
This command disables storm control.
Format port-all Storm-Control disable
Mode Global Config
- 8.2) port-all storm-control broadcast
This command configures storm control for broadcast only.
Format port-all storm-control broadcast <value>
Mode Global Config
- 8.3) port-all storm-control broadcast-multicast
This command configures storm control for broadcast and multicast.
Format port-all Storm-Control broadcast-multicast <value>
Mode Global Config
- 8.4) port-all storm-control broadcast-unknown
This command configures storm control for broadcast and unknown

unicast.

Format port-all storm-control broadcast-unknown <value>

Mode Global Config

8.5) port-all storm-control all-cast

This command configures storm control for broadcast, multicast and unknown unicast.

Format port-all Storm-Control all-cast <value>

Mode Global Config

qos

1) qos qos-advanced

Configure qos advanced mode.

1.1) qos qos-advanced DSCP

This command enables DSCP mode.

Format qos qos-advanced DSCP

Mode Global Config

1.2) qos qos-advanced ip_precedence

This command enables IP Precedence mode.

Format qos qos-advanced ip_precedence

Mode Global Config

1.3) qos qos-advanced none

This command disables qos advanced mode.

Format qos qos-advanced none

Mode Global Config

2) qos cos

This command configures 802.1p priority queue mapping.

Format Qos cos priority <0-7> queue <1-4>

Mode Global Config

3) qos dscp

This command specifies dscp value to queue mapping.

Format qos dscp <0-63> queue <1-4>

Mode Global Config

4) qos port-based

This command configures port-based priority mapping.

Format qos port-based port <WORD>status {enable | disable}

Mode Global Config

5) qos scheduling

Configure qos scheduling mode.

5.1) qos scheduling strict

This command sets to strict priority.

Format qos scheduling strict

Mode Global Config

5.2) qos scheduling wrr

This command sets to Weight Round-Robin.

Format qos scheduling wrr

Mode Global Config

6) qos ip-precedence

This command configures IP precedence queue mapping.

Format qos ip-precedence <0-7> queue <1-4>

Mode Global Config

7) qos wrr

This command configures queue weight for weight round robin.

Format qos wrr weight <1-15> queue <1-4>

Mode Global Config

8) qos dscp-remark

Note: This command only supports on the following switches,

This command is used to change DSCP value if the outgoing packet is an IP packet. Select an ACL Entry Name as the criterion and then enter New DSCP Value as the action. Once the criterion is hit, the DSCP value will be changed.

Format qos dscp-remark acl_entry_name <name> new_dscp_value <0-63>

Mode Global Config

set

1) set IGMP

Configure IGMP snooping.

1.1) set igmp enable

This command enables igmp snooping.

Format set igmp enable

Mode Global Config

1.2) set igmp disable

This command disables IGMP snooping.

Format set igmp disable

Mode Global Config

1.3) set igmp last-memberquery

This command specifies last member query interval.

Format set igmp last-memberquery <1-200>

Mode Global Config

1.4) set igmp last-membercount

This command specifies last member count.

Format set igmp last-membercount <1-20>

Mode Global Config

1.5) set igmp query-interval

This command specifies igmp query interval<secs>.

Format set igmp query-interval <10-600>

Mode Global Config

1.6) set igmp query-resinterval

This command specifies igmp query response interval<secs>.

Format set igmp query-resinterval <0-200>

Mode Global Config

1.7) set igmp robustness

This command specifies robustness variable.

Format set igmp robustness <1-20>

Mode Global Config

1.8) set igmp router-port

This command specifies igmp router port.

Format set igmp router-port ports <port list>

Mode Global Config

e.g. Switch(config)# set igmp router-port ports 1-10

2) set igmp-querier

This command configures igmp querier.

Format set igmp-querier {enable | disable}

Mode Global Config

3) set igmp-proxy

This command configures igmp proxy.

Format set igmp-proxy {enable | disable}

Mode Global Config

4) set static-mcast

Configure static multicast.

4.1) set static-mcast name <WORD> add

This command create a multicast group.

Format set static-mcast name <WORD> add vid <vlan-ID> mac <mac-addr>member port <port list>

Mode Global Config

4.2) set static-mcast name <WORD>delete

This command delete a static multicast group.

Format set static-mcast name <WORD>delete

Mode Global Config

snmp

1) snmp notify

This command configures snmp notification.

Format snmp notify {enable|disable}

Mode Global Config

2) snmp group

2.1) snmp group add

This command create a snmp group.

Format snmp group add <WORD>version <1-2>

Mode Global Config

2.2) snmp group delete

This command delete a snmp group.

Format snmp group delete <WORD>

Mode Global Config

3) snmp user

3.1) snmp user add

This command creates a snmp user.

Format snmp user add <user name> group <group name> version <1-

3>

Mode Global Config

3.2) snmp user delete

This command deletes a snmp user.

Format snmp user delete <WORD>

Mode Global Config

4) snmp community

4.1) snmp community add

This command creates a community.

Format snmp community add <community name> group <group name> mgmt-ip <ip-addr>

Mode Global Config

4.2) snmp community delete

This command deletes a community.

Format snmp community delete <community name>.

Mode Global Config

5) snmp trapstation

5.1) snmp trapstation add

Create a snmp trap station.

5.1.1) snmp trapstation add <ip-addr> community <community name>
type bootup

Send trap when system reboot

Format snmp trapstation add <ip-addr> community <community name> type bootup trap-version {1|2}

Mode Global Config

5.1.2) snmp trapstation add <ip-addr> community <community name>
type linkchange

Send trap when port link change.

Format snmp trapstation add <ip-addr> community <community name> type linkchange trap-version {1|2}

Mode Global Config

5.1.3) snmp trapstation add <ip-addr> community <community name>
type both

Send trap when system reboot or port link change.

Format snmp trapstation add <ip-addr> community <community name> type both trap-version {1-2}

Mode Global Config

5.1.4) snmp trapstation add <ip-addr> community <community name>
type none

Send no trap.

Format snmp trapstation add <ip-addr> community <community name> type none trap-version {1-2}

Mode Global Config

5.2) snmp trapstation delete

This command delete a trap station.

Format snmp trapstation delete <WORD>

Mode Global Config

sntp

1) sntp daylight

This command enables or disables the daylight saving configuration.

Format sntp daylight {enable|disable}

Mode Global Config

2) sntp localtime

Configure the local time.

2.1) sntp localtime enable

This command enables local time.

Format sntp localtime enable

Mode Global Config

2.2) sntp localtime localtime_date

This command sets local time.

Format sntp localtime localtime_date <year> <month> <date> <hour>
<minute> <second>

Mode Global Config

3) sntp server

3.1) sntp server enable

This command enables sntp server.

- Format** snmp server enable
Mode Global Config
- 3.2) snmp server ipaddr
 This command sets snmp server IP address.
Format snmp server ipaddr <IP-addr>
Mode Global Config
- 3.3) snmp server polling
 This command sets snmp server polling time interval.
Format snmp server polling <0-9>
Mode Global Config
- 4) snmp timezone
 This command sets snmp timezone.
Format snmp timezone <1-75>
Mode Global Config
- spanning-tree
- 1) spanning-tree forceversion
 This command configures Spanning Tree protocol version.
- 1.1) spanning-tree forceversion 8021s
 This command selects spanning tree type as 8021.s(multiple Spanning Tree).
Format spanning-tree forceversion 8021s
Mode Global Config
- 1.2) spanning-tree forceversion 8021w
 This command selects spanning tree type as 802.1w(rapid Spanning Tree).
Format spanning-tree forceversion 8021w
Mode Global Config
- 1.3) spanning-tree forceversion none
 This command selects none spanning tree type.
Format spanning-tree forceversion none
Mode Global Config
- 2) spanning-tree configuration
 This command configures MSTP region name and revision.
- 2.1) spanning-tree configuration name
 This command configures MSTP region name (Max.32 chars).
Format spanning-tree configuration name <WORD>
Mode Global Config
- 2.2) spanning-tree configuration revision
 This command configures revision level.
Format spanning-trees configuration revision <0-65535>
Mode Global Config
- 3) spanning-tree forward-time
 This configures the bridge forward delay parameter.
Format spanning-tree forward-time <4-30>
Mode Global Config
- 4) spanning-tree max-age
 This command configures the bridge max age parameter.
Format spanning-tree max-age <6-40>
Mode Global Config
- 5) spanning-tree max-hops

This command configure the number of hops in a region.

Format spanning-tree max-hops <1-40>

Mode Global Config

6) spanning-tree port

6.1) spanning-tree port all

This command specifies RSTP capability for all ports.

Format spanning-tree port all {enable |disable}

Mode Global Config

6.2) spanning-tree port cost

This command configures RSTP port path cost.

Format spanning-tree port cost <0-200000000>

Mode Global Config

6.3) spanning-tree port priority

This command configures RSTP port priority.

Format spanning-tree port priority <0-24>

Mode Global Config

6.4) spanning-tree port edge

This command configures STP edge .

Format spanning-tree port edge {enable|disable}

Mode Global Config

6.5) spanning-tree port force-p2plink

This command configures force point to point link mode on ports.

Format spanning-tree port force-p2plink {auto|enable|disable}

Mode Global Config

6.6) spanning-tree port migration-check

This command Re-checks the appropriate BPDU format to send on ports.

Format spanning-tree port migration-check {enable|disable}

Mode Global Config

7) spanning-tree priority

This command configures RSTP bridge priority value.

Format spanning-tree priority <0-61440>

Mode Global Config

8) spanning-tree mst

Configure a multiple spanning tree instance.

8.1) spanning-tree mst instance

This command creates or removes a MST instance

8.1.1) spanning-tree mst instance add

This command creates a MST instance.

Format spanning-tree mst instance add vlan <vlan list> mstpid <MST ID>

Mode Global Config

e.g. Switch(Config)# Spanning-Tree mst instance add vlan 2-5 mstpid 2

Switch(Config)# Spanning-Tree mst instance add vlan 6 mstpid 3

8.1.2) spanning-tree mst instance delete

This command removes the last MST instance.

Format spanning-tree mst instance delete

Mode Global Config

8.2) spanning-tree mst vlan

This command adds or deletes vlan from a MSTP instance.

8.2.1) spanning-tree mst vlan <MST ID> <vlan list> add

This command creates a MST instance.

Format spanning-tree mst vlan <MST ID> <vlan list> add

Mode Global Config

e.g. Switch(Config)# Spanning-Tree mst vlan 3 3-5 add

8.2.2) Spanning-Tree mst vlan <MST ID> <vlan list> delete

This command deletes a vlan from a MST instance.

Format Spanning-Tree mst vlan <MST ID> <vlan list> delete

Mode Global Config

8.3) spanning-tree mst bridgepri

This command configures bridge priority for a MST instance.

Format spanning-tree mst bridgepri <MST ID> <priority>

Mode Global Config

8.4) spanning-tree mst cost

This command configures port path cost in a MST instance.

Format spanning-tree mst cost <MST ID> <path cost> ports <port list>

Mode Global Config

8.5) spanning-tree mst priority

This command configures port priority in a MST instance

Format spanning-tree mst priority <MST ID> <priority> ports <port list>

Mode Global Config

User

This command changes user password.

Format user password

Mode Global Config

Interface

This command enters into configure interface mode.

Format Interface <port-ID>

Mode Global Config

rmon

This command is used to configure RMON.

1) rmon event

This command creates rmon event entry.

Format rmon event index < 1..65535 > desc <WORD> event <1..4>

community <WORD>owner<WORD>

Mode Global Config

e.g. Switch(Config)# rmon event index 1 desc 123 event 4 community 123

owner test

2) rmon alarm

This command creates rmon alarm entry.

Format rmon alarm index < 1..65535 >interval<0..3600>interface<port

number>counter<1..17>sample{absolute|delta}start{rasing|falling|all}rthresh

old<0..65535>fthreshold<0..65535> reindex <0..65535> feindex<0..65535>

owner< WORD>

Mode Global Config

e.g. Switch(Config)# RMON alarm index 1 interval 10 interface counter 1

sample delta start all rthreshold 100 fthreshold 10 reindex 1 feindex 0

owner test

3) rmon del

3.1) rmon del event

This command deletes rmon event entry.

Format rmon del event index< 1..65535 >

Mode Global Config

3.2) rmon del alarm

This command deletes rmon alarm entry.

Format rmon del alarm index< 1..65535 >

Mode Global Config

access list

Note: This commands only support on L2+ NP series management switches.

1) access-list name <WORD> add

This command creates a new access-list.

Format access-list name <WORD> add priority <1-65535>

Mode Global Config

2) access-list name <WORD> action

2.1) access-list name <WORD> action deny

This command denies an ACL entry.

Format access-list name <WORD> action deny

Mode Global Config

2.2) access-list name <WORD> action permit

This command permits an ACL entry and queue 1-4 will assign priority queue when rule activated.

Format access-list name <WORD> action permit {<cr>|queue <1-4>}

Mode Global Config

3) access-list name <WORD> clear

This command clears ACL entry contents.

3.1) access-list name <WORD> clears SRC IP

This command clears the source IP/subnet mask filter.

Format access-list name <WORD> clear SRC IP

Mode Global Config

3.2) access-list name <WORD> clears DST IP

This command clears the destination IP/subnet mask filter.

Format access-list name <WORD> clear DST IP

Mode Global Config

3.3) access-list name <WORD> clear L4port

3.3.1) access-list name <WORD> clear L4port SRC port

This command clears TCP/UDP source port filter.

Format access-list name <WORD> clear l4port SRC port

Mode Global Config

3.3.2) access-list name <WORD> clear l4port DST port

This command clears TCP/UDP destination port filter.

Format access-list name <WORD> clear l4port DST port

Mode Global Config

3.4) access-list name <WORD> clear packet-type

This command clears packet type filter.

Format access-list name <WORD> clear packet-type

Mode Global Config

3.5) access-list name <WORD> clear mac SA

- This command clears a source mac address.
Format Access-list name <WORD> clear mac SA
Mode Global Config
- 3.6) access-list name <WORD> clear MAC DA
This command clears a destination mac address.
Format Access-list name <WORD> clear mac DA.
Mode Global Config
- 3.7) access-list name <WORD> clear VID
This command clears the 802.1Q VLAN tag of packet.
Format Access-list name <WORD> clear VID
Mode Global Config
- 3.8) access-list name <WORD> clear ether-type
This command clears ether type filter.
Format access-list name <WORD> clear ether-type
Mode Global Config
- 4) access-list name <WORD> deletes.
This command removes the ACL entry.
Format access-list name <WORD> deletes
Mode Global Config
- 5) access-list name <WORD> {enable|disable}
This command enables/disables the ACL entry.
Format access-list name <WORD> {enable|disable}
Mode Global Config
- 6) access-list name <WORD> set
- 6.1) access-list name <WORD> set priority
This command specifies ACL entry priority.
Format access-list name <WORD> set priority <0-65535>
Mode Global Config
- 6.2) access-list name <WORD> set IP-mode
- 6.2.1) access-list name <WORD> set IP-mode SRC IP.
This command specifies a source IP address.
Format access-list name <WORD> set IP-mode SRC IP <IP-addr> <mask-addr>
Mode Global Config
- 6.2.2) access-list name <WORD> set IP-mode DST IP
This command specifies a destination IP address.
Format access-list name <WORD> set IP-mode DST IP <IP-addr> <mask-addr>
Mode Global Config
- 6.3) access-list name <WORD> set L4port
This command specifies the TCP/UDP port range.
- 6.3.1) access-list name <WORD> set l4port SRC-port
This command specifies the source TCP/UDP port range.
Format Access-list name <WORD> set L4 port SRE-port from <1-65535> to <1-65535>
Mode Global Config
- 6.3.2) access-list name <WORD> set l4port DST-port
This command specifies the destination TCP/UDP port range.
Format access-list name <WORD> set l4port DST-port from <1-65535> to <1-65535>
Mode Global Config

- 6.4) access-list name <WORD> set IP-mode packet-type
 This command specifies the packet type.
Format access-list name <WORD> set IP-mode packet-type {ICMP|IGMP|IP|TCP|UDP|GRE}
Mode Global Config
- 6.5) access-list name <WORD> set mac-mode
 Specify ACL entry priority.
- 6.5.1) access-list name <WORD> set mac-mode mac SA
 This command specifies a source mac address.
Format access-list name <WORD> set mac-mode mac SA <mac-addr> <mask-addr>
Mode Global Config
- 6.5.2) access-list name <WORD> set mac-mode mac DA
 This command specifies a destination mac address.
Format access-list name <WORD> set mac-mode mac DA <mac-addr> <mask-addr>
Mode Global Config
- 6.6) access-list name <WORD> set mac-mode ether-type
 This command specifies the ether type of the packet.
Format access-list name <WORD> set mac-mode ether-type {ipv4|ARP|xns}
Mode Global Config

tacplus

- 1) tacplus authen_type
 This command is used to set authentication type. There are three types for selecting: local, tacplus, localandtacplus.
Format tacplus authen_type {local | tacplus | localandtacplus}
Mode Global Config
- 2) tacplus add
 This command is used to add a new TACACS+ server and set server IP address, priority, key string, authentication port and timeout for reply.
Format tacplus add server <IP_addr> priority <0-65535> key <key string> port <auth port id> timeout <1-30>
Mode Global Config
- 3) tacplus del
 This command is used to delete a TACACS+ server.
Format tacplus del server <IP_addr>
Mode Global Config

2.9.5. Interface Config mode commands

exit

Exit current shell

Format exit

Mode Interface Config

dot1x

Set 802.1x port control.

Set auto-authorized on ports
Format 802.1x port-control {enable|disable}
Mode Interface Config

lacp

- 1) admin command
Configure admin key of port
Format lacp admin <0 ..65535>
Mode Interface Config
e.g. switch(interface g1)#lacp admin 36768
- 2) priority command
Configure lacp port priority
Format lacp priority <0..65535>
Mode Interface Config

addport

add one port to a LAG group
Format addport <LAG-ID>
Mode Interface Config

delpport

Remove a port from a LAG group
Format delpport <LAG-ID>
Mode Interface Config

lldp

An lldp agent can transmit information about the capabilities and current status of the system associated with its MSAP identifier. The lldp agent can also receive information about the capabilities and current status of the system associated with a remote MSAP identifier. However, lldp agents are not provided any means of soliciting information from other lldp agents via this protocol.

- 1) lldp state set
Only transmit the lldp status
Format lldp state {tx | rx | tx_rx | disable}
Mode Interface Config
- 2) configure notifications
Enable/disable notification form the agent
Format lldp notification {enable|disable}
Mode Interface Config
- 3) Configure med notifications
Configure whether or not MED notifications from the agent are enabled.
Enable/disable med notification form the agent
Format lldp med-notification {enable | disable}
Mode Interface Config
e.g. Switch(Interface 1)#lldp med-notification enable
- 4) Configures which TLVs are enabled for transmission.
 - 4.1) basic set
Format lldp tlvs-tx {enable | disable} option basic {port-desc | sys-name | sys-desc | sys-capa | sys-capa }

Mode Interface Config

4.2) 8021 set

Status of local-802.1 settings

Format lldp tlvs-tx {enable | disable} option 8021 {pvid | vllanname | protocol-id}

Mode Interface Config

eg.switch(interface 1)lldp tlvs enable option 8021 pvid

4.3) 8023 set

Format lldp tlvs-tx {enable | disable} option 8023 {mac-phy | power| link-aggregation| frame-size}

Mode Interface Config

4.4) MED-set

Status of MED Settings

Format lldp tlvs-tx {enable | disable} option med-set {capabilities | net-policy | location-id | mdi}

Mode Interface Config

admin-mode

Configure administrative mode on a port

Format Switch(Interface 1)# admin-mode {enable | disable}

Mode Interface Config

auto-negotiate

Configure auto-negotiate mode on a port

Format auto-negotiate {enable | disable}

Mode Interface Config

speed

Set port speed to 10Mbps half duplex/ 10Mbps full/ 100Mbps half/ 100Mbps full/ 1000Mbps 100FX mode/1000base-x full .

Format speed {10hd | 10fd | 100hd | 100fd | 1000fd | 100fx | 1000base-x}

Mode Interface Config

flow-control

This command enable/disable flow-control at port.

Format flow-control {enable | disable}

Mode Interface Config

port-security

1) port-security

This command add or delete a static mac into mac security table.

Format port-security {add|delete} <sourcemac >

Mode Interface Config

2) port-security lock-mode

This command disable port security or specify static lock mode.

Format port-security lock-mode {none | static}

Mode Interface Config

3) port-security lock-mode dynamic

This command enable limited dynamic lock mode,and specify maximin learning entries for limited dynamic lock mode.the max-entries value :0~24

Format port-security lock-mode dynamic max-entries 24

Mode Interface Config

qos

This command specifies port-based qos.

Format qos port-based status {enable | disable}

Mode Interface Config

rate-limit

1) rate-limit egress

This command limits egress rate, which the unit is Kbps.

Format rate-limit egress <rate>

Mode Interface Config

2) rate-limit ingress

This command limits ingress rate, which the unit is Kbps.

Format rate-limit ingress <rate>

Mode Interface Config

storm-control

1) Enable/disable storm control.

Format storm-control {enable | disable}

Mode Interface Config

2) storm-control broadcast

This command storm control for broadcast only, and limited value :0,64,256,1024,10240,65536.102400,1024000,which the unit is Kbps and 0 means no limit.

Format storm-control broadcast <rate>

Mode Interface Config

3) storm-control broadcast-multicast

This command storm control limited value :0,64,256,1024,10240,65536.102400,1024000,which the unit is Kbps and 0 means no limit.

Format storm-control broadcast-multicast <rate>

Mode Interface Config

4) storm-control broadcast-unknown

This command storm control limited value :0,64,256,1024,10240,65536.102400,1024000,which the unit is Kbps and 0 means no limit.

Format storm-control broadcast-unknown <rate>

Mode Interface Config

e.g. Switch(Interface 1)# storm-control broadcast-unknown 64

5) storm-control all-cast

This command storm control limited value :0,64,256,1024,10240,65536.102400,1024000,which the unit is Kbps and 0 means no limit.

Format storm-control all-cast <rate>

Mode Interface Config

rmon-counter

This command specifies rmon counter capability on a port

Format rmon-counter {enable | disable}

Mode Interface Config

set igmp-router-port

This command specifies igmp router port .

Format set igmp-router-port {enable | disable}

Mode Interface Config

spanning tree

1) spanning-tree cost

This command configure RSTP port path cost, path cost value:0~200000000.

Format spanning-tree cost <pathcost>

Mode Interface Config

2) spanning-tree edge

This command configure edge property

Format spanning-tree edge {enable|disable}

Mode Interface Config

e.g. Switch(Interface 1)# spanning-tree edge enable

3) spanning-tree force-p2plink

This command configure force point to point link mode.

Format spanning-tree force-p2plink {auto|enable|disable}

Mode Interface Config

4) spanning-tree migration-check

This command re-checks the appropriate BPDU format to send on this port

Format spanning-tree migration-check {enable|disable}

Mode Interface Config

5) spanning-tree mst

This command configures multiple spanning tree instance.

5.1) spanning-tree mst cost

This command configure the path cost on a MST instance :1~200000000.

Format spanning-tree mst cost <pathcost>

Mode Interface Config

5.2) spanning-tree mst priority

This command configure the port priority on a MST instance:0~4096.

Format spanning-tree mst priority <1 4096>

Mode Interface Config

6) spanning-tree participation

This command configures RSTP capability on a port.

Format spanning-tree participation {enable|disable}

Mode Interface Config

7) spanning-tree priority

this command configure RSTP port priority:0~240

format spanning-tree priority <0..240>

mode Interface Config

vlan

1) vlan participation

This command join or leave a port to a vlan.

1.1) vlan participation exclude

This command leave a vlan.

Format vlan participation exclude < vlan id>

Mode Interface Config

1.2) vlan participation

This command join a vlan with untagged/tagged mode.

Format vlan participation {untagged | tagged}< vlan id>

Mode Interface Config

2) vlan protected

This command configures port protected property.

Format vlan protected {enable|disable}

Mode Interface Config

3) vlan dropnq

This command configure port drop none 802.1Q frame .

Format vlan dropnq {enable|disable}

Mode Interface Config

4) vlan pvid

This command configure port PVID.

Format vlan pvid <pvid>

Mode Interface Config

e.g. Switch(Interface 1)# vlan pvid 1

Interface commands

This command change another interface

Format Interface <port number>

Mode Interface Config

e.g. Switch(Interface 1)# interface g1

poe

1) func

This command configure poe function on a port

Format poe func {enable | disable}

Mode Interface Config

2) power-pri

This command configures the power priority on switch ports to decide which ports have priority to supply power which power devices are connected.

Legal value are low, normal, middle or high priority. If the same power priority on the ports, the lower port index the higher power priority.

Low Set to low priority

Normal Set to normal priority

Middle Set to middle priority

High Set to high priority

Format poe power-pri level {low | normal | middle | high}

Mode Interface Config

3) detection

This command configures detection type on a port. set to 0,1,2,3,4 or 5

0 No Detection

1 Legacy Capacitive Detection only

2 IEEE 802.3af 4-Point Detection only (Default)

3 IEEE 802.3af 4-Point followed by Legacy

4 IEEE 802.3af 2-Point only

5 IEEE 802.3af 2-Point followed by Legacy

Format poe detection type {0 | 1 | 2 | 3 | 4 | 5}

Mode Interface Config

4)high-power

This command configures power Energy Mode on a port

on Start High Power (Support 30W power device)

off End High Power Mode (Support 15.4W power device)

Format poe high-power status {enable | disable}

Mode interface Config

3. Specifications

3.1. Cable specifications

Straight-Through and Crossed-Over Cable Specifications Table

Ethernet Type	Cable Requirements	Maximum Length
10BASE-T	Category 3 or better, UTP or STP	328 ft (100M)
100BASE-TX	Category 5 or better, UTP or STP	328 ft (100M)
1000BASE-T	Category 5e or better, UTP or STP	328 ft (100M)

Caution: Please do not use telephone cables .Telephone cables do not support Ethernet or Gigabit.

Twisted-pair cabling comes in various grades, or categories. Category 5 is required for Fast Ethernet, and is also the most reliable and most commonly used category. You can buy UTP Category 5 (Unshielded Twisted Pair) Ethernet cabling in pre-crimped lengths, or you can crimp your own. Crimping your own can result in faulty connections if the RJ-45 tips are not attached properly. Pre-crimped Category 5 cabling is available at most computer retail stores.

The most reliable and commonly used type of Category 5 cabling used is UTP, or "unshielded twisted pair." "STP" or "shielded twisted pair" wiring is only necessary for network environments exposed to excessive amounts of electromagnetic interference, or EMI. These environments include areas with high sources of electrical power, air conditioning, generators, and radio signals. STP is also used for wiring outdoors.

There are two types of the wiring: Straight-Through Cables and Crossover Cables. Category 5 UTP/STP cable has eight wires inside the sheath. The wires form four pairs. Straight-Through Cables has same pin-outs at both ends while Crossover Cables has a different pin arrangement at each end.

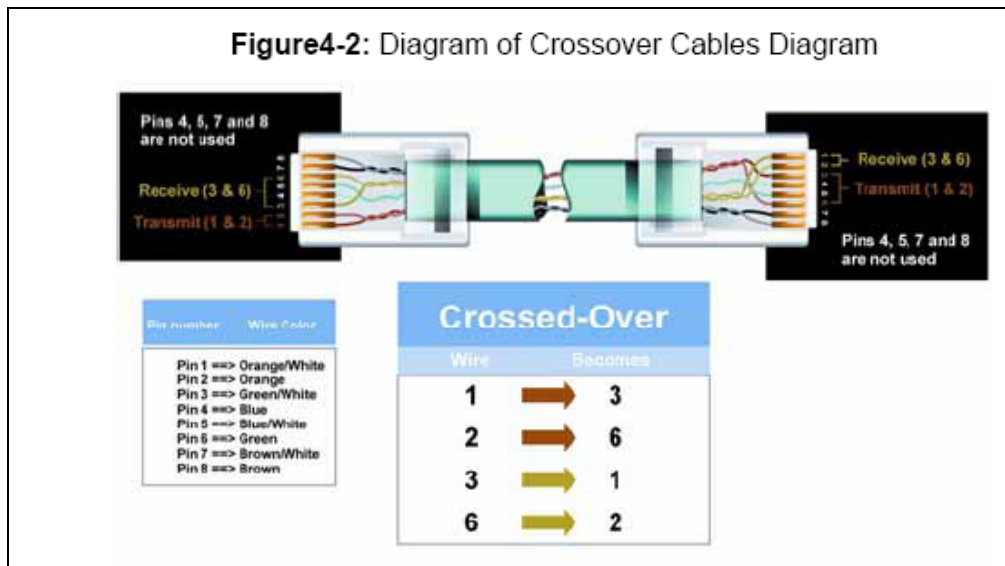
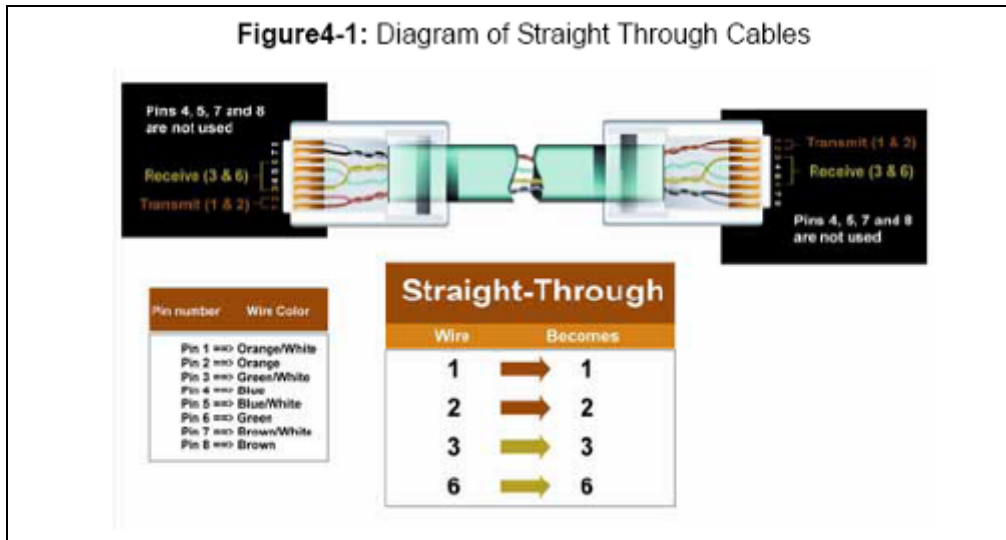
In a straight-through cable, wires 1,2,3,4,5,6,7 and 8 at one end of the cable are still wires 1~8 at the other end. In a crossover cable, the wires of 1,2,3,6 are reversed so that wire 1 become 3 at the other end of the cable, 2 becomes 6, and so forth.

To determine which wire is wire 1, hold the RJ-45 cable tip with the spring clip facing towards the ground and the end pointing away from you. The copper wires exposed upwards to your view. The first wire on the far left is wire 1. You can also refer to the illustrations and charts of the internal wiring on the following page.

There are two types of cables: Straight-through Cables and Crossover Cables. Category 5 UTP/STP cable has eight wires inside the sheath. The wires form four pairs. Straight-through Cables has same pin-outs at both ends while

Crossover Cables has a different pin arrangement at each end.

Figure 4-1 shows the diagram of Straight-through Cables. Figure 4-2 shows the diagram of Crossover Cables.



3.2. Technical Specifications

3.2.1. Software Specification

NP2724M 24 Port 10/100 + 2 Gigabit VLAN Managed Switch

- Four groups (history, statistics, alarms, and events) of embedded remote monitoring (RMON) agents for network monitoring and traffic analysis
- Provides SNMP protocol(v1/v2c/v3) to monitor and control the switch by using SNMP management applications such as HP Open View
- IGMP snooping support to limit the flooding of IP multicast traffic and filtering for controlling the set of multicast groups to which the hosts that connected to the switch
- Supports 802.1d/1w/1s Spanning Tree Protocol for loop free installation.
- Supports 802.1Q VLAN for assigning users to VLAN associated with appropriate network resources, traffic patterns, and bandwidth. Up to 256 VLAN entries can be configured
- Supports Management VLAN for administration to protect switch to be attacked by client.
- Built-in DHCP client to get IP address from DHCP server automatically
- Supports SNTP to synchronize the precision time with Internet Time server.
- Supports one-to-one or many-to-one Port Mirroring.
- Supports IEEE 802.3ad Link Aggregation, up to 3 aggregation groups.
- Supports for IEEE 802.1p/DSCP CoS scheduling for classification and preferred high-priority voice traffic on a port-port basis
- Per port Ingress and Egress Rate Limiting. Minimum rate is 64 Kbps, granularity is 64 Kbps
- Supports Static Mode and Dynamic Learning Mode for Port Security function. Support up to 24 MAC addresses for each port.
- Supports Protected port feature.
- Supports 802.1X port-based authentication, and build-in RADIUS client to

co-operate with the RADIUS servers.

- Supports broadcast, known-multicast, and unknown uni-cast storm control
- Supports web-based interface for management

- Supports CLI interface for local console or remote Telnet management

- Supports TFTP, HTTP and X-modem protocol for firmware/configuration upgrade or backup.

3.2.2. Hardware Specification

NP2724M 24 Port 10/100 + 2 Gigabit VLAN Managed Switch

- Supports 24 ports 100Base-TX and 2 1000BaseT with 2 shared Mini-GBIC.
- IEEE 802.3ab Auto MDI/MDI-X on all 10/100/1000 twisted-pair ports
- Automatic polarity detection and correction on all RJ-45 ports for automatic adjustment of wiring errors
- Provides Flow Control mechanism to prevent packet loss, IEEE802.3x Flow Control for full-duplex operation and back pressure for half-duplex operation
- Supports 8K MAC address and Up to 3Mb packet buffer
- Supports Store & Forward architecture and performs forwarding and filtering
- Provides non-blocking switching performance
- Provides a RS-232 port for system configuration.

3.2.3. Environments Specification

NP2724M 24 Port 10/100 + 2 Gigabit VLAN Managed Switch

Size (H x W x D)	44.45 x 430 x 180mm
Weight(Net/Gross)	2.4kg / 3.5kg (88.2 oz / 123.5 oz)

Power	100~120/200~240 VAC~1.0 A/0.5 A 50~60Hz
Operating Temp.	0 °C ~ 40 °C (32 ~ 104)
Storage Temp.	-40 ~ 70 (-40 ~ 158)
Operating Humidity	20% to 85%,relative humidity, non-condensing
Storage Humidity	20% to 90%,relative humidity, non-condensing

3.2.4. Standard Conformance

EMC Certification	FCC Class A, CE, CTick
--------------------------	------------------------

4. Legal & Regulatory Information

This manual is copyright. Apart from any fair dealing for the purposes of private study, research, criticism or review, as permitted under the Copyright Act, no part may be reproduced, stored in a retrieval system or transmitted in any form, by any means, be it electronic, mechanical, recording or otherwise, without the prior written permission of NetComm Limited. NetComm Limited accepts no liability or responsibility, for consequences arising from the use of this product.

NetComm Limited reserves the right to change the specifications and operating details of this product without notice.

NetComm is a registered trademark of NetComm Limited.

All other trademarks are acknowledged the property of their respective owners.

Customer Information

ACA (Australian Communications Authority) requires you to be aware of the following information and warnings:

- (1) This unit shall be connected to the Telecommunication Network through a line cord which meets the requirements of the ACA TS008 Standard.
- (2) This equipment has been tested and found to comply with the Standards for C-Tick and or A-Tick as set by the ACA . These standards are designed to provide reasonable protection against harmful interference in a residential installation. This equipment generates, uses, and can radiate radio noise and, if not installed and used in accordance with the instructions detailed within this manual, may cause interference to radio communications. However, there is no guarantee that interference will not occur with the installation of this product in your home or office. If this equipment does cause some degree of interference to radio or television reception, which can be determined by turning the equipment off and on, we encourage the user to try to correct the interference by one or more of the following measures:
 - Change the direction or relocate the receiving antenna.
 - Increase the separation between this equipment and the receiver.
 - Connect the equipment to an alternate power outlet on a different power circuit from that to which the receiver/TV is connected.
 - Consult an experienced radio/TV technician for help.
- (3) The power supply that is provided with this unit is only intended for use with this product. Do not use this power supply with any other product or do not use any other power supply that is not approved for use with this product by NetComm. Failure to do so may cause damage to this product, fire or result in personal injury.

GNU General Public License

This product includes software code that is subject to the GNU General Public License ("GPL") or GNU Lesser General Public License ("LGPL"). This code is subject to the copyrights of one or more authors and is distributed without any warranty. A copy of this software can be obtained by contacting NetComm Limited on +61 2 9424 2059.

Product Warranty

The warranty is granted on the following conditions:

1. This warranty extends to the original purchaser (you) and is not transferable;
2. This warranty shall not apply to software programs, batteries, power supplies, cables or other accessories supplied in or with the product;
3. The customer complies with all of the terms of any relevant agreement with NetComm and any other reasonable requirements of NetComm including producing such evidence of purchase as NetComm may require;
4. The cost of transporting product to and from NetComm's nominated premises is your responsibility; and,
5. NetComm does not have any liability or responsibility under this warranty where any cost, loss, injury or damage of any kind, whether direct, indirect, consequential, incidental or otherwise arises out of events beyond NetComm's reasonable control. This includes but is not limited to: acts of God, war, riot, embargoes, acts of civil or military authorities, fire, floods, electricity outages, lightning, power surges, or shortages of materials or labour.
6. The customer is responsible for the security of their computer and network at all times. Security features may be disabled within the factory default settings. NetComm recommends that you enable these features to enhance your security.

The warranty is automatically voided if:

1. You, or someone else, use the product, or attempts to use it, other than as specified by NetComm;
2. The fault or defect in your product is the result of a voltage surge subjected to the product either by the way of power supply or communication line, whether caused by thunderstorm activity or any other cause(s);
3. The fault is the result of accidental damage or damage in transit, including but not limited to liquid spillage;
4. Your product has been used for any purposes other than that for which it is sold, or in any way other than in strict accordance with the user manual supplied;
5. Your product has been repaired or modified or attempted to be repaired or modified, other than by a qualified person at a service centre authorised by NetComm; and,
6. The serial number has been defaced or altered in any way or if the serial number plate has been removed.

Limitations of Warranty

The Trade Practices Act 1974 and corresponding State and Territory Fair Trading Acts or legalisation of another Government ("the relevant acts") in certain circumstances imply mandatory conditions and warranties which cannot be excluded. This warranty is in addition to and not in replacement for such conditions and warranties.

To the extent permitted by the Relevant Acts, in relation to your product and any other materials provided with the product ("the Goods") the liability of NetComm under the Relevant Acts is limited at the option of NetComm to:

- Replacement of the Goods; or
- Repair of the Goods; or
- Payment of the cost of replacing the Goods; or
- Payment of the cost of having the Goods repaired.

All NetComm ACN 002 490 486 products have a standard 12 months warranty from date of purchase. However some products have an extended warranty option (refer to packaging). To be eligible for the extended warranty you must supply the requested warranty information to NetComm within 30 days of the original purchase by registering on-line via the NetComm web site at

www.netcomm.com.au

Product Warranty

NetComm products have a standard 12 months warranty from date of purchase. However some products have an extended warranty option, via registering your product online at the NetComm website www.netcomm.com.au.

Technical Support

If you have any technical difficulties with your product, please refer to the support section of our website.

www.netcomm.com.au/support

Note: NetComm Technical Support for this product only covers the basic installation and features outlined in the Quick Start Guide. For further information regarding the advanced features of this product, please refer to the configuring sections in the User Guide or contact a Network Specialist.

NetComm®
www.netcomm.com.au

NETCOMM LIMITED PO Box 1200, Lane Cove NSW 2066 Australia
P: 02 9424 2070 F: 02 9424 2010
E: sales@netcomm.com.au W: www.netcomm.com.au

 **Dynalink**
www.dynalink.co.nz

DYNALINK NZ 224b Bush Road, Albany, Auckland, New Zealand
P: 09 448 5548 F: 09 448 5549
E: sales@dynalink.co.nz W: www.dynalink.co.nz

Trademarks and registered trademarks are the property of NetComm Limited or their respective owners.
Specifications are subject to change without notice. Images shown may vary slightly from the actual product.

Free Manuals Download Website

<http://myh66.com>

<http://usermanuals.us>

<http://www.somanuals.com>

<http://www.4manuals.cc>

<http://www.manual-lib.com>

<http://www.404manual.com>

<http://www.luxmanual.com>

<http://aubethermostatmanual.com>

Golf course search by state

<http://golfingnear.com>

Email search by domain

<http://emailbydomain.com>

Auto manuals search

<http://auto.somanuals.com>

TV manuals search

<http://tv.somanuals.com>