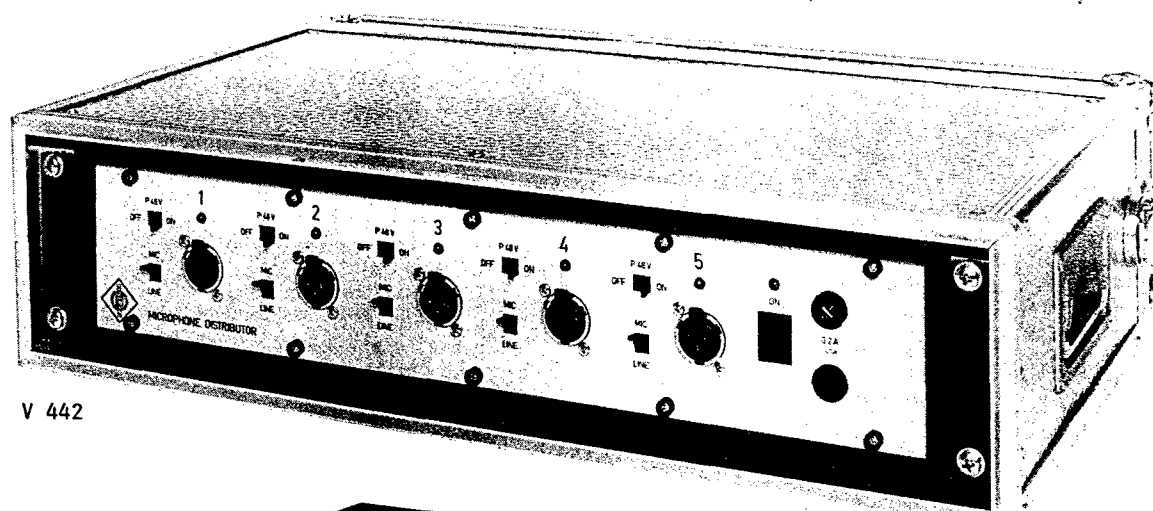


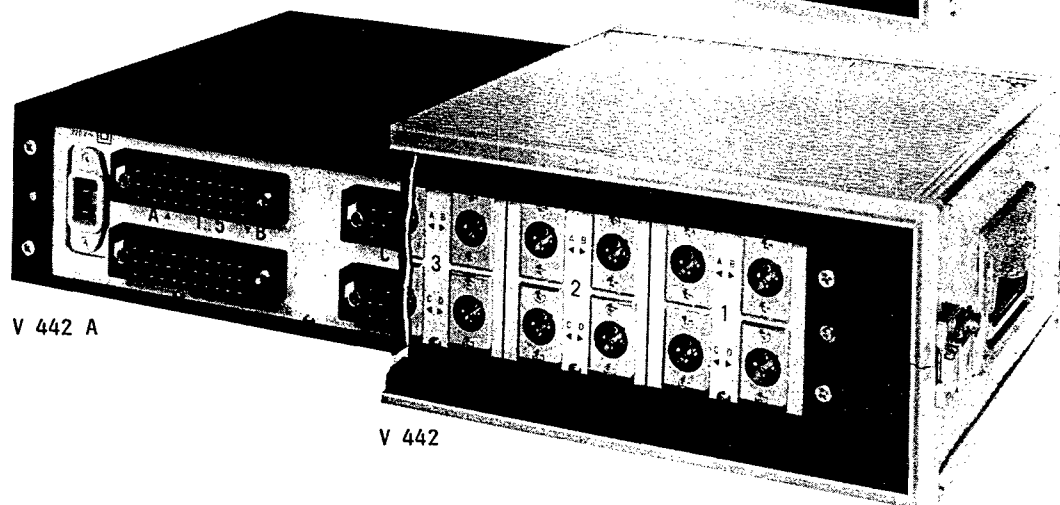


33711 80203

V442 Microphone Isolation Amplifier (portable)
V442 A Microphone Isolation Amplifier (for rack mounting)



V 442



V 442 A

V 442

Isolation amplifier for a non-reactive distribution of a microphone or line level signal to several outputs.

- Hi-pot isolation of the inputs among themselves as well as against the outputs, chassis/0-volt, and power line input: 2.5 kV at 50 Hz.
- Inputs selectable for microphone and line level.
- Built-in switchable 48 volt Phantom Powering.
- Separate input and output amplifiers.
- Max. output level at 0.1% THD: +22 dB. Outputs short circuit proof.

August 1986

GEORG NEUMANN GMBH
Charlottenstrasse 3 · D-1000 Berlin 61
Telefon: (030) 2 59 93-0 · Telex: 184 595 neuak d

Exporteur: AUDIO EXPORT GEORG NEUMANN & CO. GMBH
Badstrasse 14 · D-7100 Heilbronn/Neckar
Telefon: (07131) 8 22 75 · Telex: 728 558 audex d

Printed in Germany

The V 442 Microphone Isolation Amplifier has five inputs.

Each of these may be switched to mike or line level.

The 48 V Phantom Powering required by condenser microphones is generated separately for each input. It may be also switched on or off separately and independent of the individual MIC or LINE setting.

There are four identical outputs associated with each input. The signal to be distributed is fed through an input amplifier to the parallel connected inputs of the four output amplifiers, and from there to the outputs. This arrangement guarantees the highest interaction attenuation.

It is an important feature of the Microphone Isolation Amplifier that it offers electrical isolation of the inputs against one another as well as against the outputs, to which the operating ground of a mixing console may be connected.

This measure is necessary to prevent possible voltage differences between the microphones and the electronic musical equipment used by musicians.

In normal studio operation, microphone housings are connected to the grounded console via the cable shield. In practice, however, it accidentally happens that due to a defect of some kind, one side of the ac power line may be inadvertently connected to the chassis of an electronic musical instrument. Simultaneous touching of a microphone and the instrument by the musician may lead to a fatal accident.

In order to prevent this, the input transformers were constructed to isolate 2.5 kV ac.

Grounding of the microphone cable shield is done capacitatively through a 2.5 kV ac tested capacitor whose capacitance is so dimensioned as to prevent any leakage current which would result from the above mentioned operation, from exceeding the value permitted by VDE. Static charging of the microphone housing is prevented through suited measures.

The 48 V Phantom Powering is generated separately for each microphone input.

As a result every input is hi-pot proof up to 2.5 kV 50 Hz, both against chassis/0 volt, operating ground and power input, as well as against one another.

The 0-volt connections associated with each output may be disconnected from the common equipment 0-volt by opening a link. The 0-volt connection to the connected output then leads only through a 0.022 μ F capacitor. This permits the reduction of the effects of ground loops which might be formed by connecting several outputs, each with different ground potential.

The V 442 is delivered with these links in their closed position. All service tests are to be made on this unit with these links closed. The supply voltages of the individual distribution channels are individually fused for greater operating safety. Operational condition is indicated by an LED.

The V 442 is made according to "Safety Class II", and is tested to conform to VDE 0804/0860.

The V 442 is explicitly permitted to be used at german radio stations by certificate of the "Gesetzliche Unfallversicherung der Verwaltungs-Berufsgenossenschaft" (a legal authority taking care of working safety of technical equipment).

Available Versions

- 1) V 442 -portable, rugged instrument case; outputs at D 3 M Switchcraft connectors.
- 2) V 442 A -19" Version for rack mounting; outputs at 30-pole male multiconnector strips. Inputs additional at a rear 30-pole female multiconnector strip.
- 3) Special versions:
 - 3.1. To be fitted with different connectors.
 - 3.2. Position MIC with 0 dB or +18 dB gain by choice.

Technical Data

Ref. level:	0.775 V \pm 0 dB
Test frequency:	1 kHz sine wave

Frequency range: 40 Hz...15kHz \pm 0.5 dB

Switchable gain
RGen in position
MIC = 200 ohms

pos. MIC = 18 dB \pm 0.5 dB

LINE = 50 ohms

pos. LINE = 0 dB \pm 0.5 dB

Rload = 1 kohm per output

Input Data

Inputs:

5
balanced and floating,
transformer with separate
static shield winding

True input impedance
(40 Hz to 15 kHz)

\geq 1 kohm

Input common mode rejection at
15 kHz per IRT specifications 3/5

\geq 60 dB

Hi-pot test of the inputs against
one another, against the outputs,
chassis/0 volt, mains input:

max. 2.5 kV 50 Hz for 2 sec.

Output Data

Outputs: 20 (4 per input)
balanced and floating,
transformer with static
shield winding.

Output source impedance
(40 Hz to 15 kHz) ≤ 200 ohm

Output common mode rejection
at 15 kHz per IRT specifications 3/5 ≥ 60 dB

Hi-pot of the outputs against
chassis/0 volt: max. 500 V/ 50 Hz/ 2 sec.

Max. output level into 1 kohm $\geq +23$ dB
for THD = 0.5%, 1 kHz,
220 V ac power line:

Permissible output
loading: ≥ 1 kohm each output

T.H.Distortion at +22 dB
output level $f = \frac{40 \text{ Hz}}{\leq 0.3 \%} \mid \frac{6.3 \text{ kHz}}{\leq 0.1 \%}$

Weighted and Unweighted Noise Levels

Input termination = 200 ohm,
output termination = 1000 ohm
measured in MIC position
(DIN 45 405, issue 11.83 and CCIR 468/2)

$$P_{\text{unwtd}} \leq -98 \text{ dB}_{\text{qs}}$$

$$P_{\text{wtd}} \leq -94 \text{ dB}_{\text{qps}}$$

Channel separation at 15 kHz ≥ 90 dB
 $R_{\text{Gen}} = 200$ ohm,
termination = 1 kohm

Interaction attenuation
Output 1 to n against output n-1,
 $R_{\text{Gen}} = 200$ ohm; $P_{\text{unwtd}} = +20$ dB
output termination 1 kohm
 $f_{\text{interf.}} = \frac{40 \text{ kHz}}{\geq 70 \text{ dB}} \mid \frac{1 \text{ kHz}}{\geq 90 \text{ dB}} \mid \frac{15 \text{ kHz}}{\geq 90 \text{ dB}}$

Power Supply

ac mains nominal voltage: 220 V 50 Hz

Allowable power line error: 198...231 V

Power consumption at 220 V : max. 20 VA

Phantom Powering
for each input: 48 V
per DIN 45 596

Environmental temperature range: $-20^{\circ}\dots+50^{\circ}$ C

Dimensions and Weight

V 442 Portable
w x h x l 510 x 130 x 300 mm
(20"x 5.1"x 11.8")

Weight: approx. 13.5 kg

V 442 A 19" Rack
w x h x l 435* x 90 x 265 mm
*)+ mounting angle

Weight: approx. 9.3 kg(20.5 lbs)

Required Mating Connectors

V 442 Portable

Inputs: Switchcraft A3M or equiv.
Outputs: Switchcraft A3F or equiv.

V 442 A 19" Rack

Inputs: Switchcraft A3M and 30 pole
male T 2070

Outputs: 30-pole female T 2071

Accessories supplied with the units:

Power cable per protective class II
(2) replacement fuses 0.2 A SLO-BLO
(2) replacement fuses 0.125 A SLO-BLO

Output Ground Isolation

In order to reach the 0-volt disconnecting links
it is necessary to open the V 442 (A) Microphone
Isolation Amplifier.

But this does not require the complete device with
its housing to be removed from the rugged case
resp. from the mounting rack.

For opening proceed as follows:

1. Remove those four fixing screws from the back
of the housing, marked in figure 1.
Push the chassis towards the front.

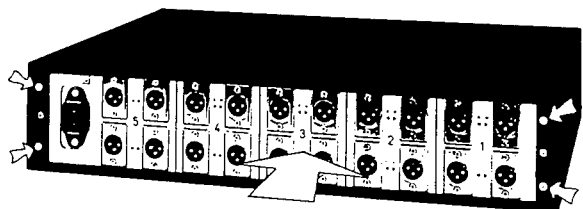


Fig. 1

2. Remove those ten screws from the bottom of the chassis, marked in figure 2, fixing the upward-folding hinged PC-board. Turn the PC-board up.

3. Now the links are available, arranged in one row near the lower edge of the PC-board. Assigned to the channel-arrangement they count right to left 1a,b,c,d to 5a,b,c,d.

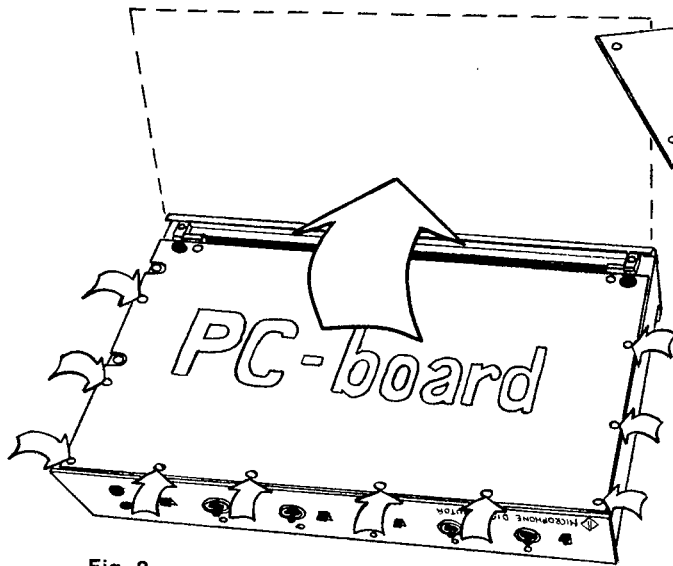


Fig. 2

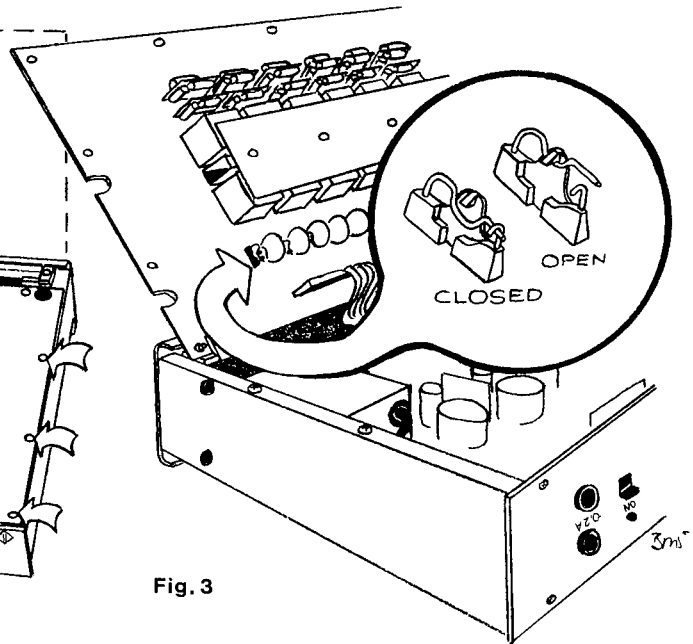


Fig. 3

Errors excepted. Specifications subject to changes without notice.

Free Manuals Download Website

<http://myh66.com>

<http://usermanuals.us>

<http://www.somanuals.com>

<http://www.4manuals.cc>

<http://www.manual-lib.com>

<http://www.404manual.com>

<http://www.luxmanual.com>

<http://aubethermostatmanual.com>

Golf course search by state

<http://golfingnear.com>

Email search by domain

<http://emailbydomain.com>

Auto manuals search

<http://auto.somanuals.com>

TV manuals search

<http://tv.somanuals.com>