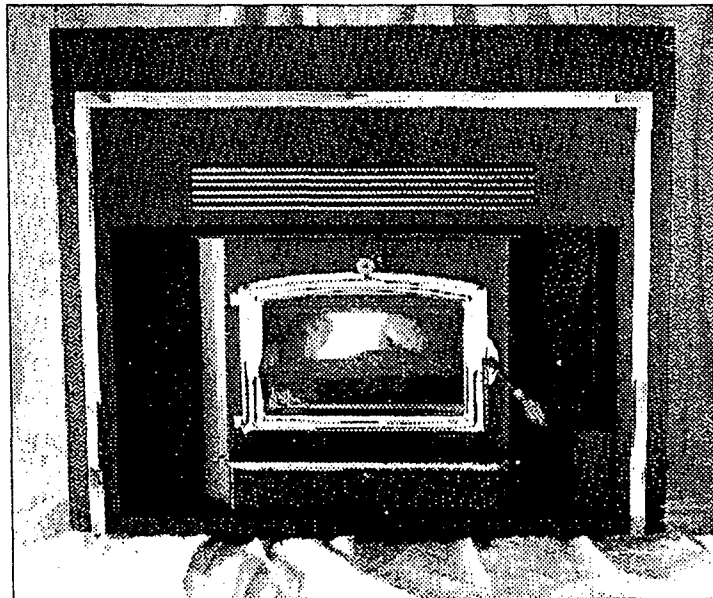


The following manual is for the 80ZC cabinet ONLY. If you require information on the Model 80 unit that fits inside this cabinet, please download the Model 80 manual from the “Stove Manuals” section of our website. Thank you for choosing Buck Stove!

MODEL 80 ZC CABINET INSTALLATION

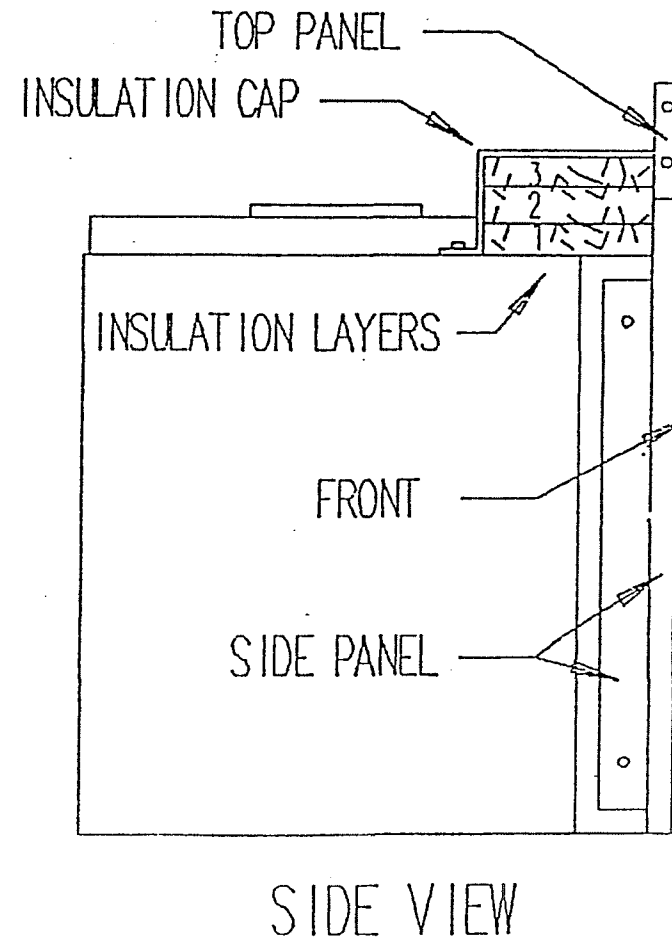
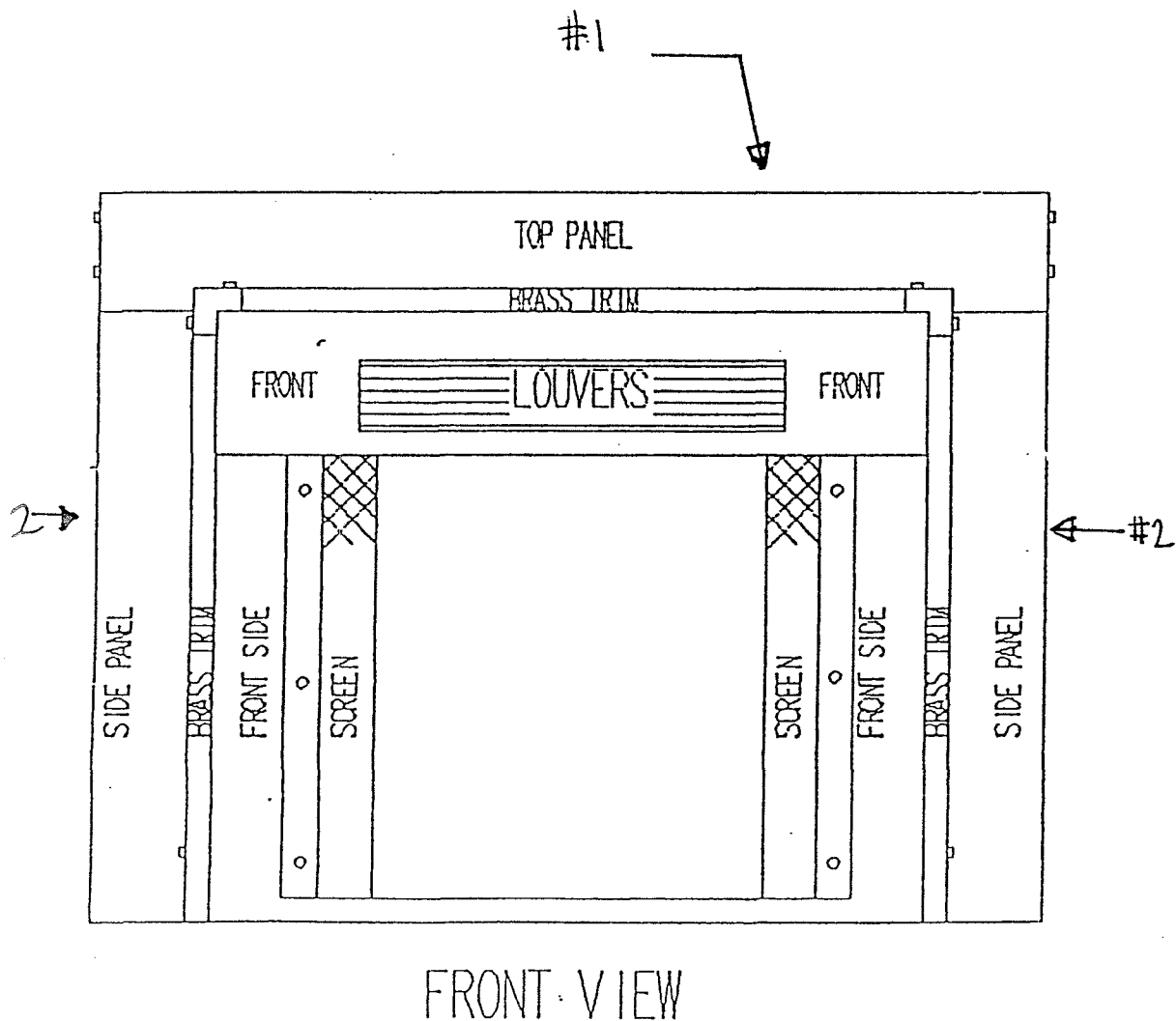


FEATURES: INSTALLATION: MAINTENANCE: PREPARATION: OPERATION:
SAFETY:

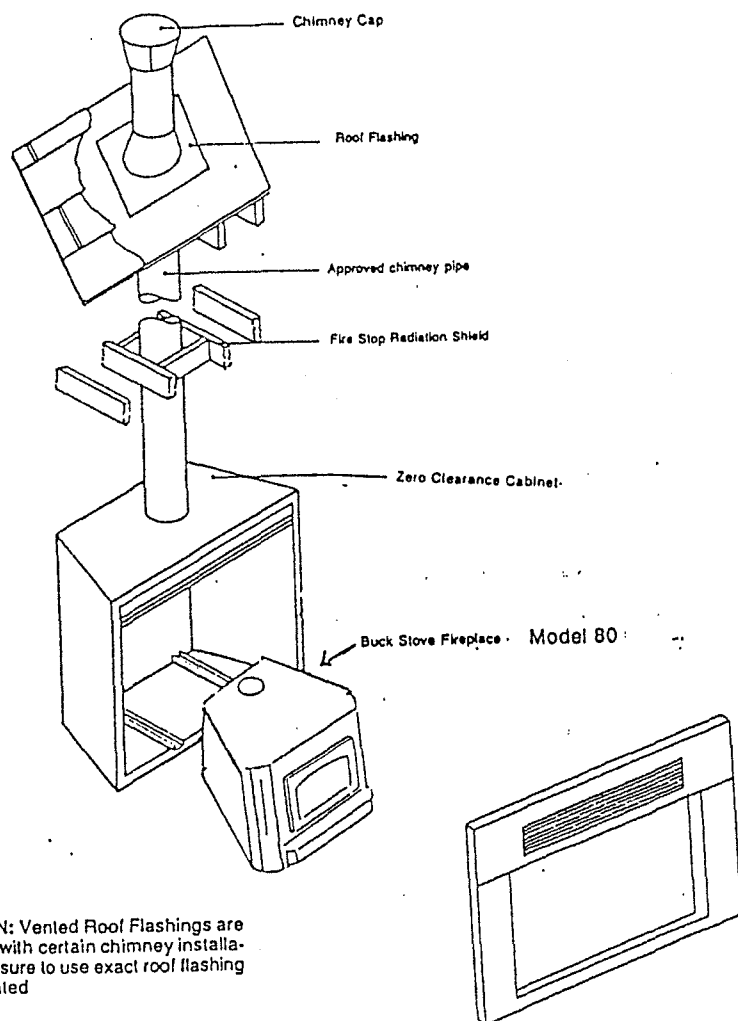
NEW BUCK CORPORATION 1992
WARNOCK HERSEY

IMPORTANT!

The Top Panel (#1) And Side Panels (#2) Must Be Installed On Cabinet Before Setting The Cabinet For Framing.



CAUTION - Refer to chimney manufacturers instructions for assembly and disassembly of chimney parts. Be sure to follow chimney instructions for proper clearances to combustibles and proper air spacing required.



CAUTION: Vented Roof Flashings are required with certain chimney installations. Be sure to use exact roof flashing as indicated

CAUTION: Do not mix Chimney Parts as a fire may result. Use one model of listed chimney parts completely for an installation.

CAUTION: Read through all of these instructions carefully. Follow Chimney Manufacturer's Installation exactly. Failure to install the Cabinet, Stove, and Chimney as described in the instructions will void the manufacturer's warranty.

A major cause of chimney related fires is failure to maintain required clearances (air spaces) to combustible materials. It is of utmost importance that these parts be installed only in accordance with these instructions.

The Zero Clearance Fireplace Cabinet Model ZC80 is designed to facilitate the installation of a BUCK STOVE MODEL-80 ONLY. Maintain manufacturer's clearances to combustible from cabinet.

Normally, the installation will be accomplished in two stages: 1) Installation of the Model ZC-80 Fireplace Cabinet and associated framing and mortarwork, and 2) later installation of the BUCK STOVE Model 80 into the Model ZC-80 Fireplace Cabinet.

INSTALLATION PRECAUTIONS

The following precautions are mandatory for a safe installation:

- A. Compliance with local building codes and regulations is mandatory.
- B. Be careful not to damage unit in handling and unpacking component parts and accessories.
- C. Use only listed approved chimney pipes.
- D. The chimney must extend a minimum of three feet above the highest point where it penetrates the roof (three feet above a flat roof or up to a 2/12 pitch roof), and the chimney must extend a minimum of two feet higher than any portion of the building within ten feet of the chimney. The minimum height is 14 1/2 feet. The maximum height is 42 feet. A two-inch clearance must be maintained between the chimney and any combustible materials at all points.
- E. A rain cap must be used to terminate the chimney to prevent down-draft. Use the factory approved rain cap which is approved for the type chimney being installed.
- F. Maintain manufacturer's clearances from cabinet.
- G. The Fireplace Cabinet is not intended for use in mobile homes.
- H. DO NOT build a fire directly inside the Model ZC-80. It is designed solely for housing the BUCK STOVE Model 80.

SELECTING A CHIMNEY INSTALLATION AND LOCATION

There are two basic types of chimney installations possible with the Model 80 ZC Cabinet. Straight up through a ceiling, and chase installation, either outside or inside. These are normally used as follows:

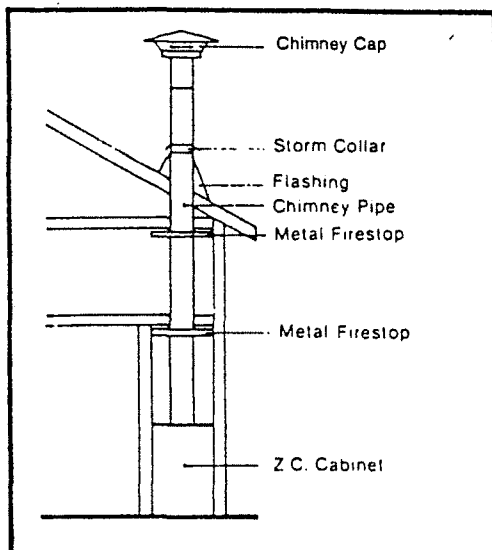


FIGURE 1 THROUGH CEILING & NORMAL PITCH ROOF

CAUTION: Refer to chimney manufacturers instructions for assembly and disassembly of chimney parts. Be sure to follow chimney instructions for proper clearances to combustibles and proper air spacing required.

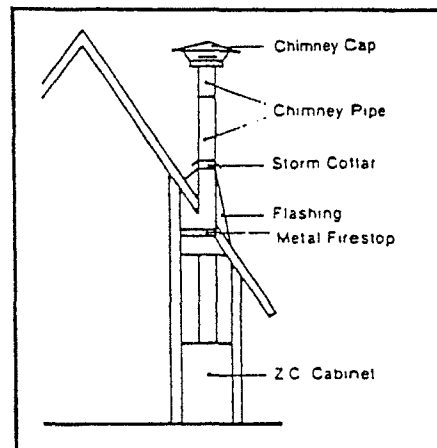


FIGURE 2 THROUGH HIGH PITCH ROOF

A. Straight up through ceiling: (See Figures 1 and 2). This is a simple installation normally used when installing a Model ZC-80 inside an existing room, and in some cases, in new construction. Refer to Figure 3 if an offset to clear an obstruction is needed.

CAUTION- Refer to chimney manufacturers instructions for assembly and disassembly of chimney parts. Be sure to follow chimney instructions for proper clearances to combustibles and proper air spacing required.

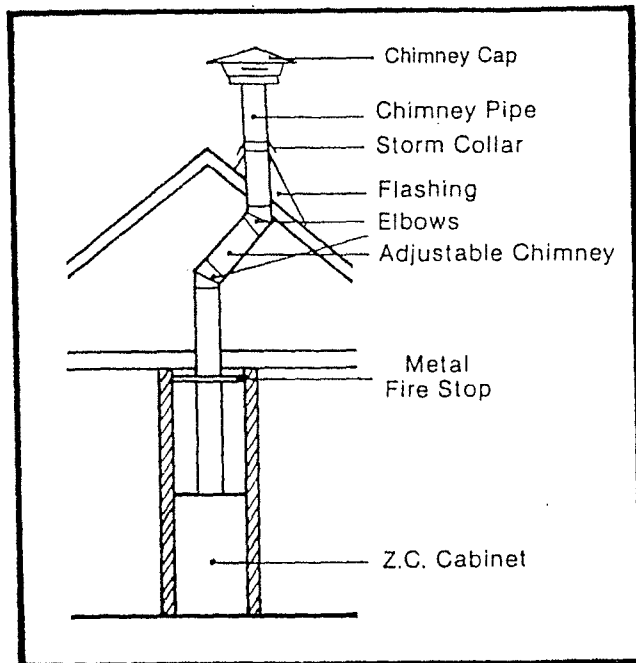


FIGURE 3 OFFSET TO CLEAR OBSTRUCTION

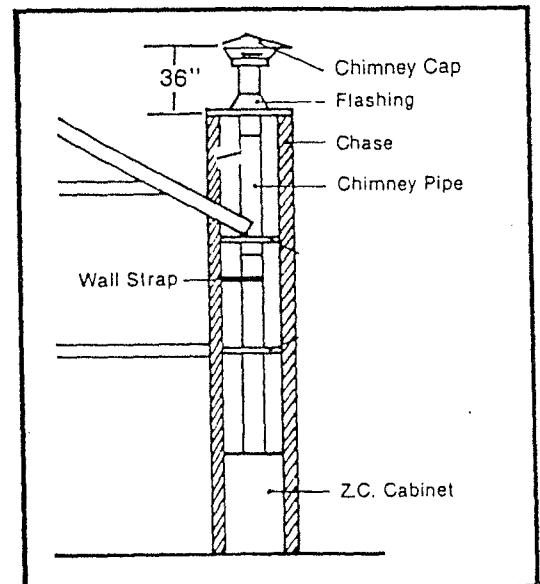


FIGURE 4 EXTERIOR WALL CHASE

B. Chase Installation: (See Figure 4). A chase is an enclosure built specifically to house a chimney. The interior of a chase is open from the Model ZC-80 to the roof, eliminating the need to cut through ceilings and the roof. Normally, a chase is built outside and against the exterior wall of a home. A hole is cut through the wall, and the Model ZC-80 is located in the bottom of the chase, with the front of the unit flush with the interior wall. Chases are commonly veneered on the outside with brick, stone or wood to give the appearance of a conventional fireplace flue. Occasionally, they are built inside and boxed in, similar to a stairwell. When making a chase installation, it is important to read the chimney manufacturer's instructions prior to building, as there are specific requirements for bracing a free-standing flue that must be planned for. There are also occasions where offsets are used within a chase to accommodate unusual building designs, or to locate the Model ZC-80 further into a room.

FRAMING CONSTRUCTION

Except as noted, the Model ZC-80 can be installed almost anywhere you desire. There are, however, a few clearance and framing restrictions that must be followed. See figures 1 and 2 to make sure that these clearance restrictions are met. It is much wiser to place your Model ZC-80 correctly at the start of the installation than to be forced to relocate it after much of the work is done.

You must ensure that the floor is of adequate strength to accept the load of this unit. If inadequate, the floor will require additional support, such as bracing. A wooden base constructed of plywood or 2" x boards is required in order to get a raised hearth look.

Good planning is essential for a satisfactory installation, therefore, at this point you should have decided where the Model ZC-80 will be located and the route the chimney will follow to the roof—straight up, or chase. If you cannot decide the best route, contact your Buck Stove Dealer for assistance with the planning.

CHIMNEY INSTALLATIONS

Position Model ZC-80 for chimney installation as follows:

- A. Thoroughly clean the area where the unit will be placed.
- B. Lay out the location on the floor and construct base (See Figure 5).
- C. If chimney is to be installed through a ceiling, drop a plumbline, locate, and mark point on ceiling directly over center of Model ZC-80 chimney adapter.
- D. Install the chimney in accordance with chimney manufacturer's recommendations.

CAUTION: Follow the instructions for the type chimney you're building, i.e., straight-up or chase. For minimum height and maximum height follow chimney manufacturers instructions.

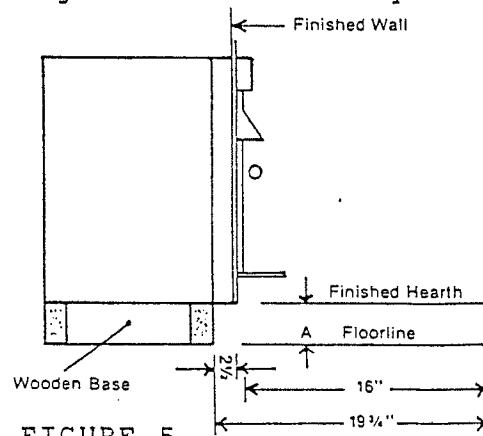


FIGURE 5

Base for Model ZC-80 must be level with or slightly higher than finished hearth height—dimension (A) Figure 5. Front of cabinet must be recessed 2 1/2" from finished wall.

WARNING! Install the hearth protector only as specified. The hearth extension must extend a minimum of 16" in front of the fireplace opening and must be 42 1/2" wide minimum. (Total area to be covered is 19 3/4" by 42 1/2".)

Framing must be accomplished after the Model ZC-80 is set in place. The chimney can be installed after framing, but installation is considerably more difficult and, in some cases, impossible. Therefore, it is recommended that the chimney be installed prior to framing when a choice exists.

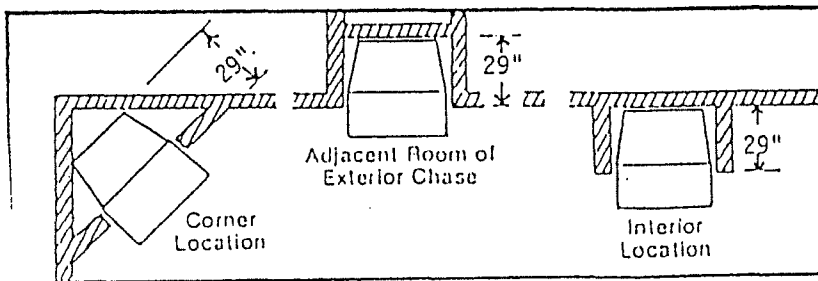
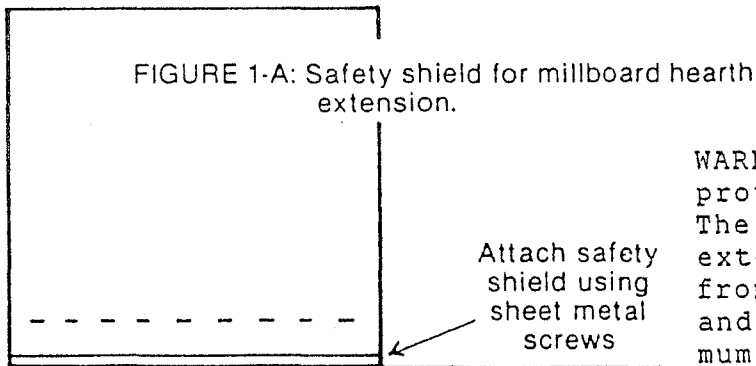


FIGURE 6

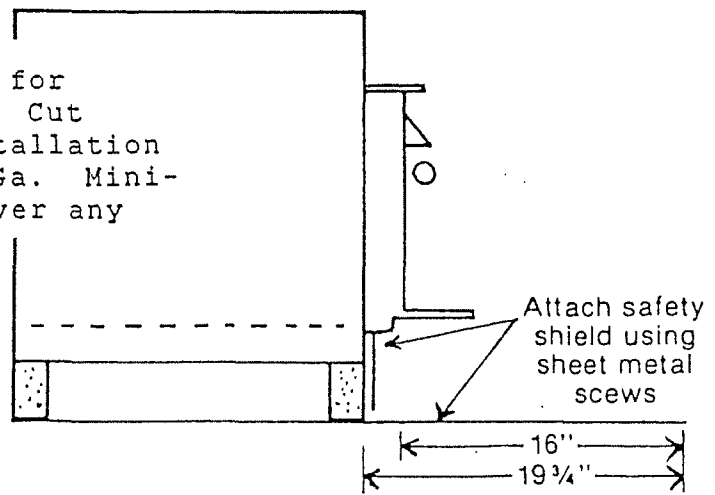
Above (Figure 6) are framing location examples with depth dimensions for some typical configurations. These are finished measurements so install accordingly.

1. Before framing, combustible floor coverings (carpet, tiles, etc.) must be removed to outer dimension of unit framing, including the 16" x 42 1/2" area for the hearth extension.



WARNING! Install the hearth protector only as specified. The hearth extension must extend a minimum of 16" in front of the fireplace opening and must be 42 1/2" wide minimum.

FIGURE 1-B: Safety shields for brick or rock hearth (Note: Cut vertical shield to fit installation height as needed. Use 26 Ga. Minimum metal being sure to cover any combustibles on the base.)



2. Set Model ZC-80 unit in place and attach safety shield to unit as shown in Figure 1-A and 1-B. You must place a noncombustible material 3/4" thick millboard or equivalent K Factor $= .084/\text{BTU}/\text{F}^2\text{H}^0\text{F}$ inches minimum.

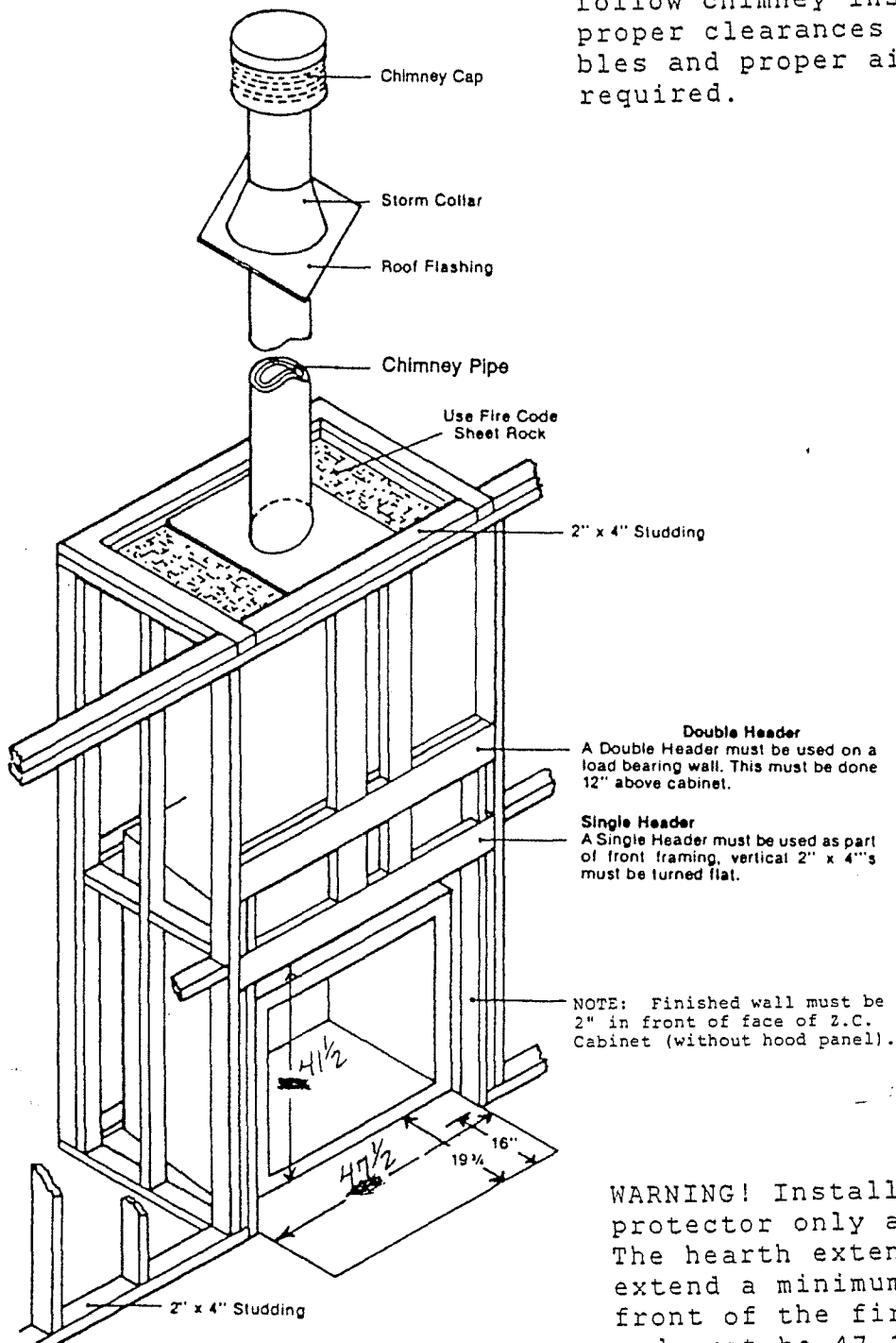
3. Frame the ZC Cabinet using 2"x 4" studs or local building code framing. Some minor framing restrictions are required:

A. Adjacent side walls must be at least 6" from the outer edge of the Cabinet trim panel.

B. The overall opening dimensions must be at least 47 1/2" wide and 41 1/2" high.

C. Framing must protrude 2 1/2" to allow for finished wall to come flush with the back of the ZC Cabinet trim panel (See Figures 1-A and 1-B).

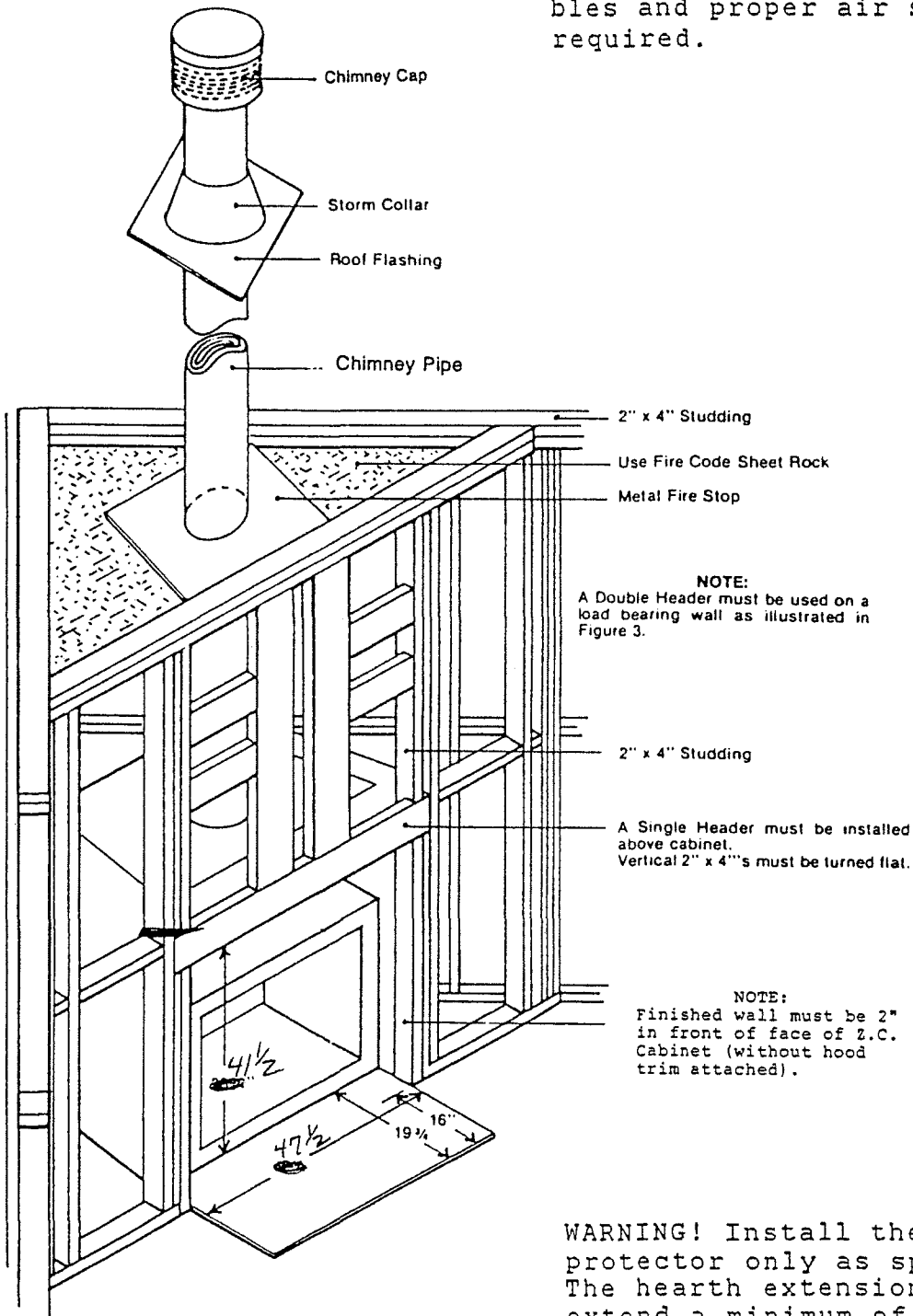
CAUTION! Refer to chimney manufacturers instructions for assembly and disassembly of chimney parts. Be sure to follow chimney instructions for proper clearances to combustibles and proper air spacing required.



WARNING! Install the hearth protector only as specified. The hearth extension must extend a minimum of 16" in front of the fireplace opening and must be 47 1/2" wide minimum.

FIGURE 7 EXTERIOR ROOF OR CHASE

CAUTION! Refer to chimney manufacturers instructions for assembly and disassembly of chimney parts. Be sure to follow chimney instructions for proper clearances to combustibles and proper air spacing required.



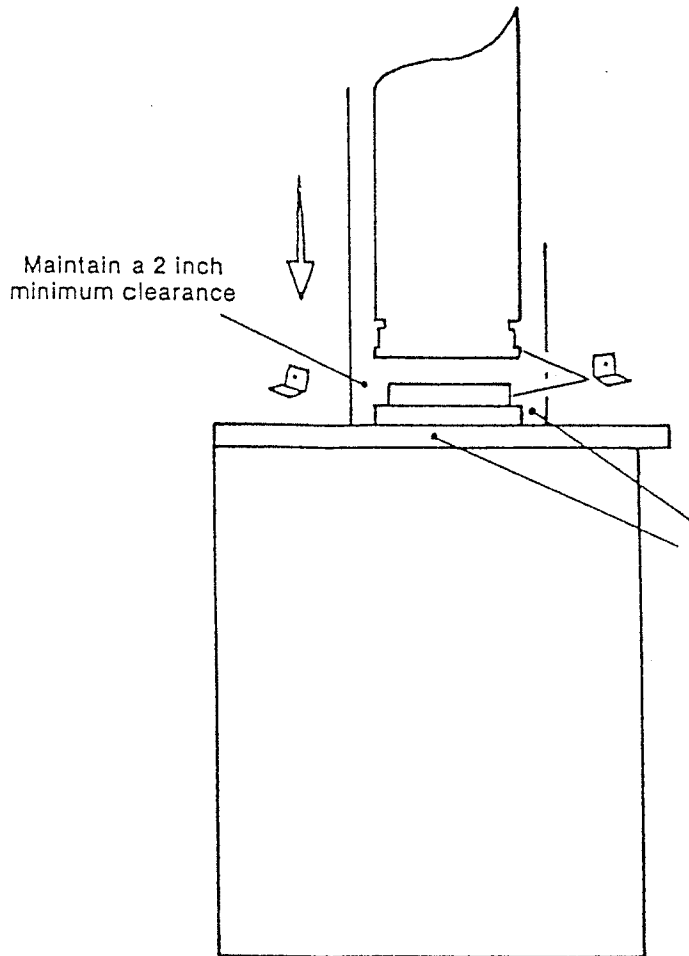
WARNING! Install the hearth protector only as specified. The hearth extension must extend a minimum of 16" in front of the fireplace opening and must be 47 1/2" wide mini-

FIGURE 8 CORNER LOCATION FRAMING

Install pipe to cabinet by pushing down over the starter section of pipe on the ZC Cabinet.

NOTE: To ease installation of the first section of pipe to the Cabinet use a pipe crimping tool and crimp the bottom of the inside chimney liner.

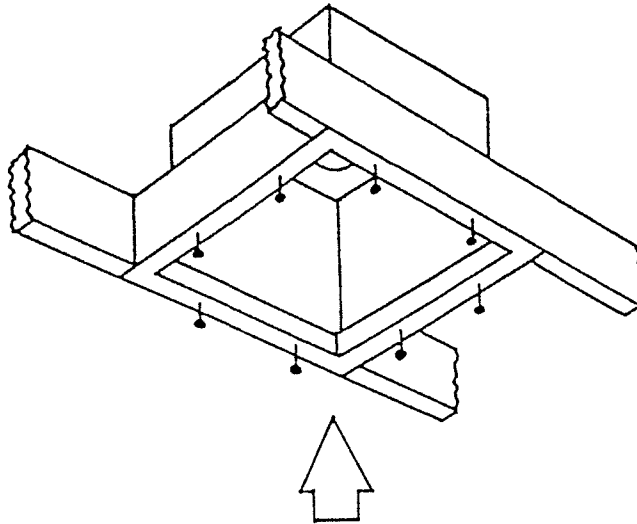
Install pipe to cabinet by pushing down over the starter section of pipe on the ZC Cabinet.



Attach sheet metal clips (2 ea.) to pipe and cabinet top to assure stability.

WARNING! Do not pack required air spaces on top of cabinet or around pipe starter section with insulation or other materials.

INSTALLING FIRESTOP RADIATION SHIELD: Nail the firestop Radiation Shield to the bottom of the framed ceiling opening using at least two 8-penny nails per side.



CHIMNEY INSTALLATION INFORMATION

ROOF CLEARANCE

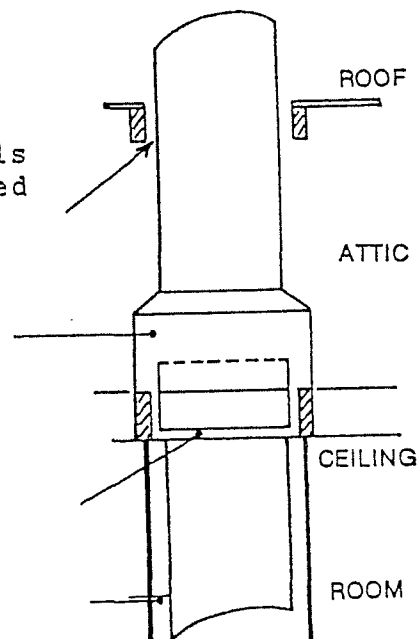
Frame a square opening in roof maintaining the required 2" clearance to combustible materials between the chimney and the framed opening and roofing material.

INSULATION RADIATION

FIRESTOP RADIATION SHIELD

Provides proper clearance. 2" clearance does not apply.

Clearance between chimney and enclosing wall 2".



8" Chimney fits between standard 16" OC joists.

Electrical procedures: The ZC-80 Cabinet is not pre-wired; an electrician must wire the Cabinet into the home wiring system using No. 14 AWG (with ground wiring) as minimum in accordance with local wiring codes. (See Figure 9)

1. Remove receptacle cover.
2. Remove receptacle from mounting box.
3. Run No. 14 AWG wire directly from house wiring in through the Field Connector in the lower right side of the Cabinet. Leave 4-6 inches of wire extending out of the box.
4. Tighten Field Connector around wire.
5. Wire receptacle (black, white, and ground) and resecure to mounting box.
6. Replace receptacle cover.

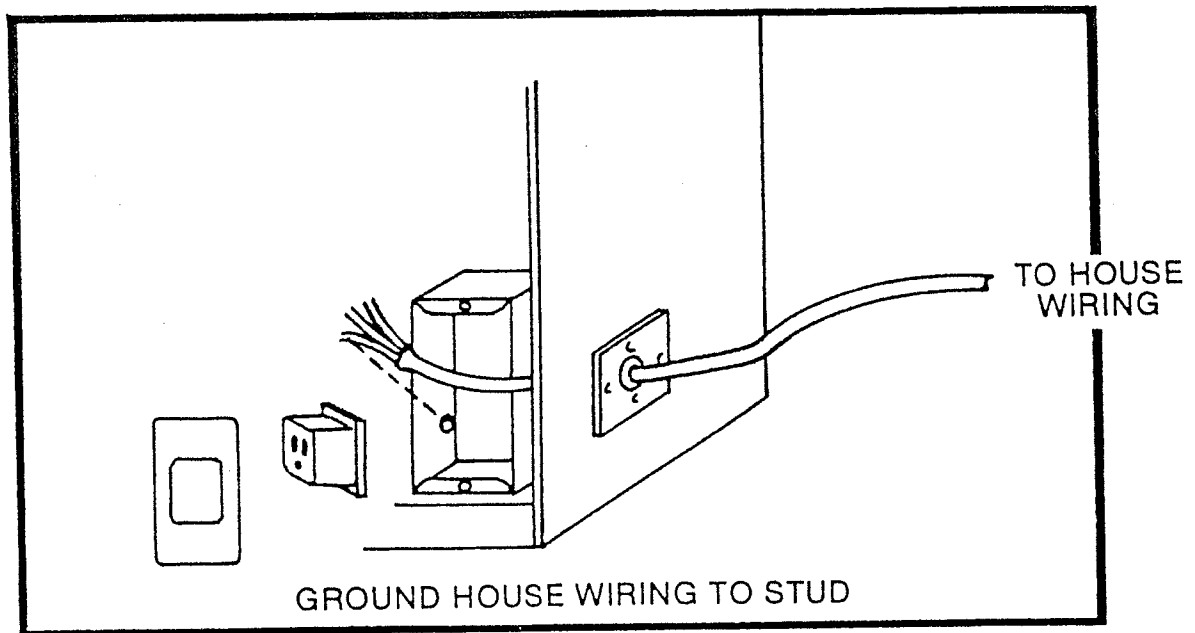


FIGURE 9

POWER HOOK-UP

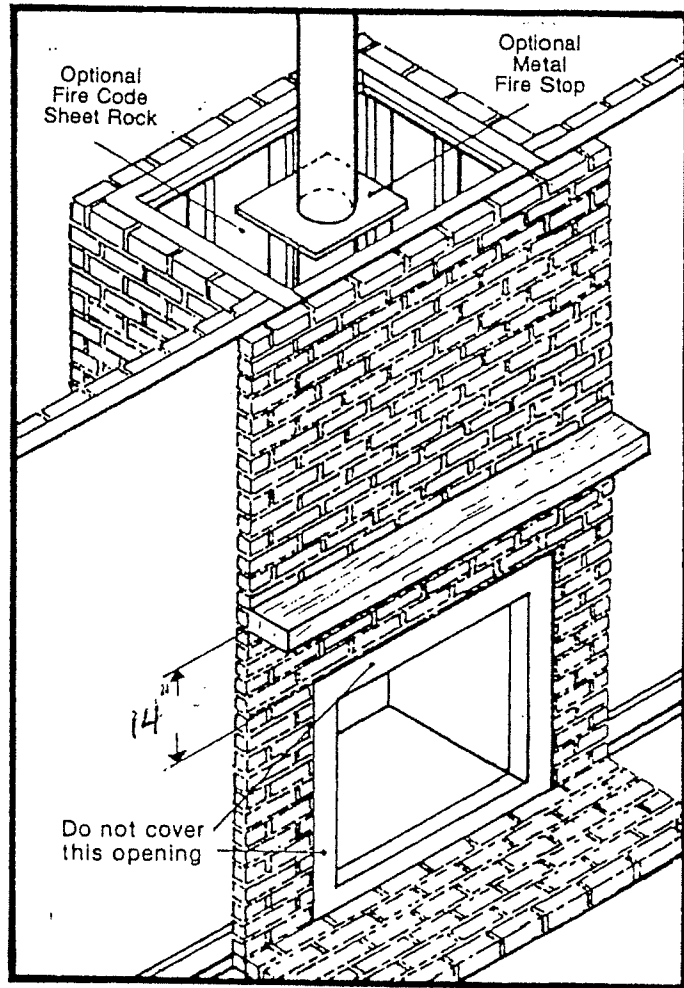
FINISHING

Finishing can now be completed using the desired material in accordance with local building and fire codes.

CAUTION: Do not cover any opening on the Cabinet; heat must be allowed to escape from the openings designed into the unit. A grilled trim panel is provided with the trim package to cover this area. Also, the grilled opening at the bottom front of the Cabinet cannot be blocked.

A hearth extension must extend to a minimum of 16" in front of the fireplace opening. The mantel must be positioned a minimum of 14" above the top of the trim kit hood.

Use a non-combustible millboard having a thermal conductivity of $K=0.84 \text{ BTUin./ft.}^2\text{H}^{\circ}\text{F}$ or a listed floor protector. The millboard or floor protector may be covered with a non-combustible material such as marble, slate, tile, etc.



ALL DIMENSIONS SHOWN ARE
MINIMUM ALLOWED FOR WARRANTY

INSTALLING THE MODEL 80 BUCK STOVE

Install unit as follows:

- A. Carefully reinspect chimney connections, vent outputs and cabinet air intakes after finishing is completed.
- B. Thoroughly clean all masonry mud and debris from cabinet and surrounding environment.
- C. Ensure that Cabinet has not been damaged during masonry process.
- D. Remove protective plastic wrapping from stove.
- E. Inspect motor and associated hardware for damage.
- F. Slide the Buck Stove Model 80 into the Cabinet all the way to the back so that the flue exit of stove lines up under stack.
- G. Turn stack positioning nuts counter-clockwise allowing stack to be lowered. Push downward and fit evenly until recessed within the flue exit opening (containing the damper).

H. Install the trim kit attaching it to the Cabinet or finished framing by using 1" screws to secure the trim panels in place.

I. Remove cover plate from Cabinet exposing receptacle. Roll up power cord so it will fit inside of cover box. Plug in power cord in receptacle. Replace cover plate. (See Figure 10).

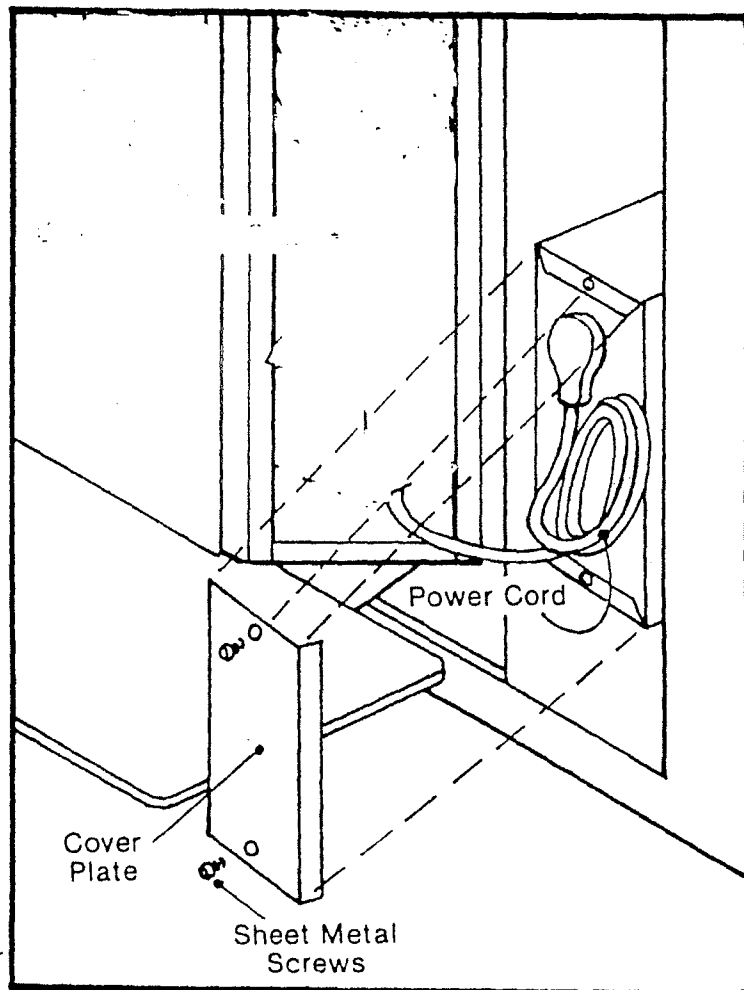


FIGURE 10

Free Manuals Download Website

<http://myh66.com>

<http://usermanuals.us>

<http://www.somanuals.com>

<http://www.4manuals.cc>

<http://www.manual-lib.com>

<http://www.404manual.com>

<http://www.luxmanual.com>

<http://aubethermostatmanual.com>

Golf course search by state

<http://golfingnear.com>

Email search by domain

<http://emailbydomain.com>

Auto manuals search

<http://auto.somanuals.com>

TV manuals search

<http://tv.somanuals.com>