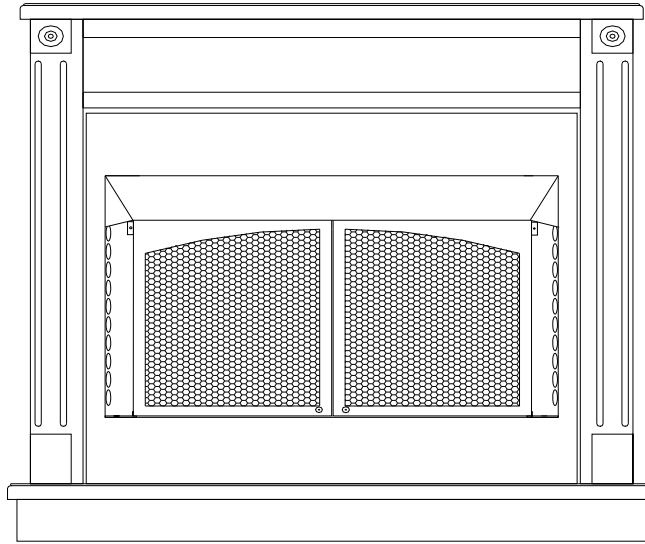


**BUCK STOVE MODEL ZCBB VENTLESS  
FIREBOX ENCLOSURE  
FOR GAS-FIRED DECORATIVE TYPE UNVENTED ROOM  
HEATERS FOR USE WITH OPTIONAL WOODEN FLUSH MOUNT  
MANTEL (FF) AND OPTIONAL WOODEN SURROUND (WS)**



(UNIVERSAL BOX)



**FOR USE ONLY WITH A LISTED GAS-FIRED UNVENTED DECORATIVE ROOM HEATER NOT TO EXCEED 40,000 BTU/H. DO NOT BUILD A WOOD FIRE**



**Carefully review the instructions supplied with the decorative type unvented room heater for the minimum fireplace size requirement.**

**DO NOT INSTALL AN APPLIANCE IN THIS FIREBOX UNLESS THIS FIREBOX MEETS THE MINIMUM DIMENSIONS REQUIRED FOR THE INSTALLATION**

**WARNING: If the information in this manual is not followed exactly, a fire or explosion may result causing property damage, personal injury or loss of life.**

New Buck Corporation  
P.O. Box 69  
8000 Hwy. 226 South  
Spruce Pine, NC 28777

**INSTALLER: Leave this manual with the appliance.  
CONSUMER: Retain this manual for future reference.**

Revised: March 2005



## TABLE OF CONTENTS

Safety Information and Warnings .....	3
Installation.....	5
Firebox and Framing Dimensions (ZC) (FF) .....	6
Firebox Clearances (ZC) (FF).....	7
Finishing Your Firebox .....	8
Mantel Profiles For Zero Clearance .....	9
Optional Wooden Flush Mount Mantel Front (FF).....	10
Optional Wooden Surround (WS).....	11
Producing Adequate Ventilation.....	13
Ventilation Air from Indoors .....	15
Ventilation Air from Outdoors.....	16
Optional Blower Installation .....	17
Wiring Diagram .....	18
Replacement Parts.....	19
Warranty.....	20



## SAFETY INFORMATION WARNINGS

**IMPORTANT: READ THIS OWNER'S MANUAL CAREFULLY AND COMPLETELY BEFORE TRYING TO ASSEMBLE, INSTALL, OPERATE, OR SERVICE THIS APPLIANCE (FIREBOX ENCLOSURE).**

Early signs of carbon monoxide poisoning resemble the flu, with headaches, dizziness, and/or nausea. If you have these signs, the heater may not be working properly. Get fresh air at once! Have heater serviced.

Some people-pregnant women, persons with heart or lung disease, anemia, those under the influence of alcohol, and those at high altitudes-are more affected by carbon monoxide than others.

**CAUTION: Strong drafts, such as a ceiling fan placed directly in front of the heater (pulling from either direction) may create sooting. Sooting will discolor walls.**

1. **The installation must conform with local codes ,or in the absence of local codes, with the *National Fuel Gas Code, ANSI Z223.1/NFPA54.***
2. **This appliance may be installed in an After-Market<sup>\*</sup> Manufactured (Mobile) Home, where not prohibited by state or local codes.**  
*\*(After-Market: Completion of sale, not for purpose of resale from the manufacturer.)*
3. **“This heater shall not be installed in a confined space or unusually tight construction unless provisions are provided for adequate combustion and ventilation air.”See Page 10, for “Producing Adequate Ventilation”.**
4. Any safety screen or guard removed for servicing an appliance must be replaced prior to operating the heater. **This appliance (ventless firebox enclosure) is manufactured with fireplace screens, and you must close any fireplace screens before operation of the decorative type unvented room heater.**
5. Do not use this heater for burning trash or cooking. Never place matches, paper, garbage, or any other material on top of logs or into the flames.
6. **“WARNING: Do not use a blower insert, heat exchanger insert or other accessory not approved for use with this heater.”**
7. **“The fireplace canopy must not be modified or replaced with a canopy that may be provided with the unvented decorative room heater.”**
8. This universal box has been tested, listed, and certified to **ANSI Z21. 91b-2004** Ventless Firebox Enclosures for Gas-Fired Unvented Decorative Room Heaters.

## WARNING

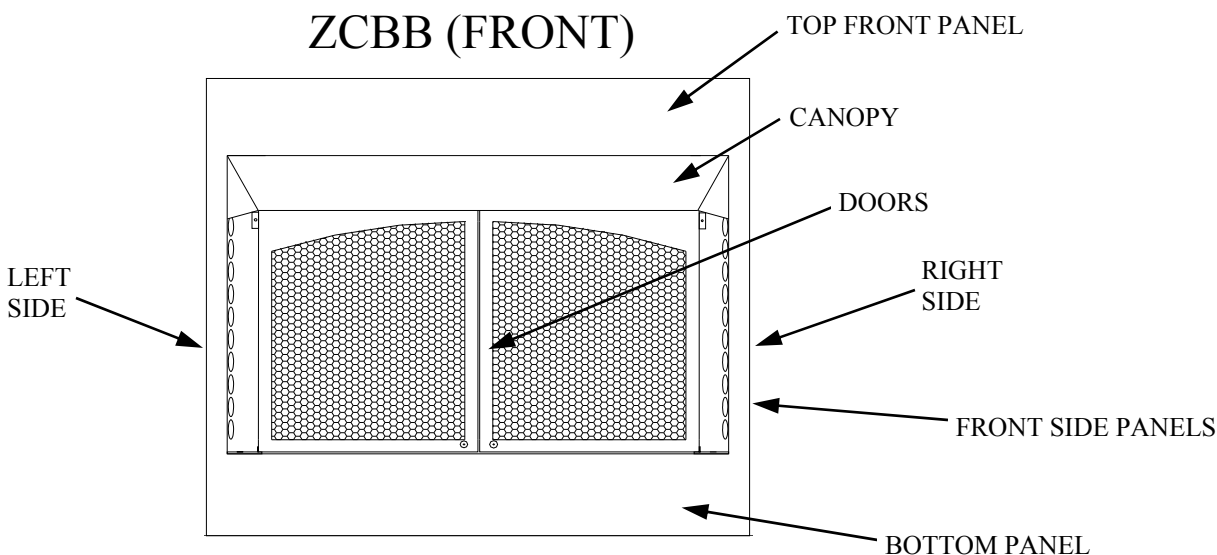


**DO NOT USE A BLOWER INSERT, HEAT EXCHANGER INSERT, OR OTHER ACCESSORY NOT APPROVED FOR USE WITH THIS HEATER.**

**THIS HEATER SHALL NOT BE INSTALLED IN A CONFINED SPACE UNLESS PROVISIONS ARE MADE FOR ADEQUATE COMBUSTION AND VENTILATION AIR.**

*"See Page 10, for "Producing Adequate Ventilation".*

**NOTE: THIS IS A VENTLESS FIREBOX ENCLOSURE (UNIVERSAL) FOR GAS FIRED DECORATIVE TYPE UNVENTED ROOM HEATERS. IT WILL ACCEPT ANY GAS LOGS UP TO 40,000 BTU'S AS LONG AS THE LOGS WILL FIT. YOU MUST MEET THE MINIMUM CLEARANCES SPECIFIED IN THE INSTRUCTION MANUAL. FAILURE TO FOLLOW INSTALLATION INSTRUCTIONS WILL VOID THE WARRANTY.**



# INSTALLATION

Your New Buck Ventless Firebox Enclosure may be installed in Residential or \*After-Market Manufactured Mobile Homes. This appliance may be installed in an \*After Market Manufactured Mobile Home, **where not prohibited by state or local codes.**

\* (After Market: Completion of sale, not for the purpose of resale from the manufacturer).

**NOTE:** See page 13, for “Producing Adequate Ventilation”.

## CHOOSING THE LOCATION FOR YOUR FIREBOX

Figure 1 shows some of the many ways your firebox may be installed. Consider the traffic pattern in your room and the location of doors and windows. Moving air from ceiling fans, open doors, and hot air grills may cause the flames to impinge the logs resulting in sooting. If a disturbance is found that affects the flames, it must be eliminated by turning off the ceiling fan, closing the door, or closing the hot air register. A corner location may be best where space is limited.

Your Ventless Firebox Enclosure weighs no more than some of your fine furniture. If the firebox is located near a load bearing wall, additional supports to the foundation will not be necessary. HEAVY FACINGS, SUCH AS BRICK, STONE, ETC., MAY REQUIRE ADDITIONAL FOUNDATION SUPPORT.

**NOTE: WHEN THE FIREBOX IS INSTALLED DIRECTLY ON CARPETING, TILE OR OTHER COMBUSTIBLE MATERIALS, OTHER THAN WOOD FLOORING, THE FIREBOX SHALL BE INSTALLED ON A METAL OR WOOD PANEL EXTENDING THE FULL WIDTH AND DEPTH OF THE ENCLOSURE.**

## GAS LINE

The gas supply line and electrical supply must be installed before framing in the fireplace by a licensed installer. This appliance when installed, be electrically grounded in accordance with local codes or, in the absence of local codes, with the *National Electrical Code, ANSI \ NFPA 70.*

## DRAFTS

Do not locate the fireplace in high traffic areas or areas exposed to high drafts and winds. Locate the fireplace away from furniture and draperies.

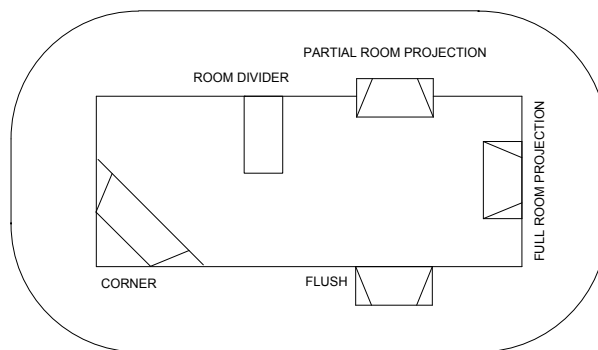
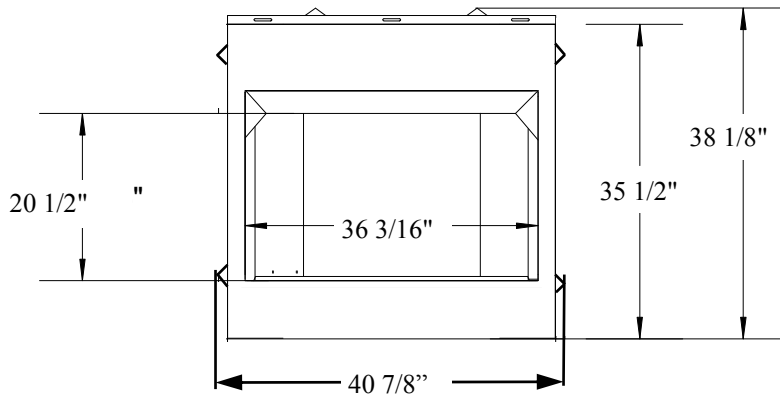


Figure 1

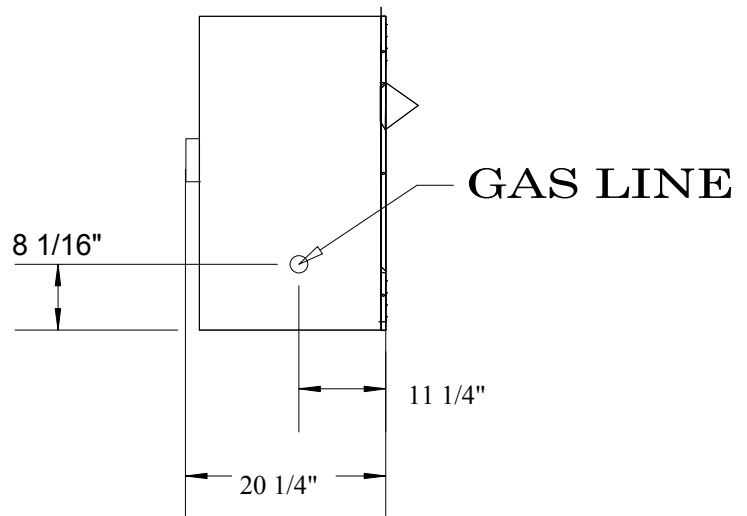
## FIREBOX AND FRAMING DIMENSIONS (ZC) & (FF)

**NOTE: SEE PAGE 10 IF AN OPTIONAL WOODEN FLUSH MOUNT MANTEL FRONT (FF) IS TO BE USED.**



**WARNING: NOTCHING OF THE FRAMING AROUND THE STAND-OFFS (SPACERS) OR ALTERATION OF THE STANDOFFS CAN CAUSE A FIRE OR MAY RESULT IN PROPERTY DAMAGE, PERSONAL INJURY, OR LOSS OF LIFE.**

**NOTE: YOUR NEW BUCK CORPORATION VENTLESS FIREBOX ENCLOSURE IS EQUIPPED WITH A FACTORY INSTALLED CANOPY. IT MAY NOT BE REPLACED WITH ANY OTHER MANUFACTURER'S CANOPY.**



**WARNING: INSULATION OR OTHER MATERIALS MUST NOT BE PLACED AROUND OR THE FIREBOX, FILLING THE SPACES AROUND THE FIREBOX CAN CAUSE A FIRE OR MAY RESULT IN PROPERTY DAMAGE, PERSONAL INJURY, OR LOSS OF LIFE .**

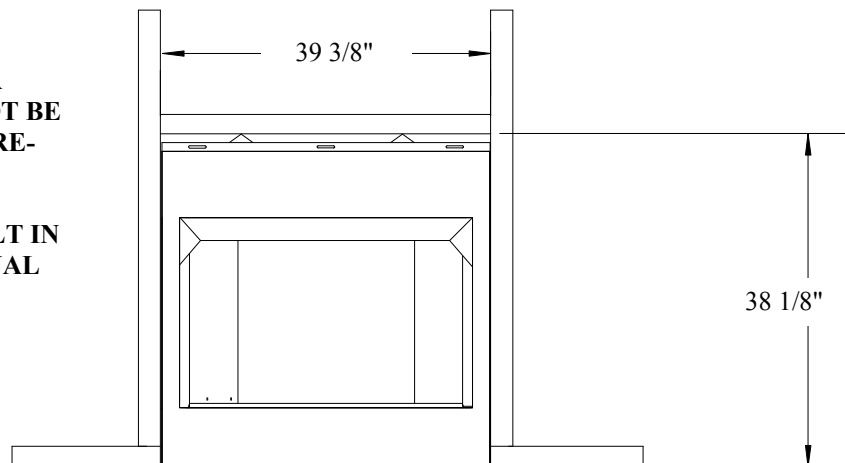


Figure 2



## FIREBOX CLEARANCES

The firebox may be placed directly on a combustible floor, against a combustible wall at marked clearances, or on a raised wooden platform.

If the firebox is to be installed on a raised wooden platform, the platform must be a continuous level surface. The firebox must be secured in place so it cannot shift positions.

Only the header (see Figure 3) may rest on the standoffs on top of the firebox. When the firebox is installed over carpeting, vinyl tile, or any combustible material other than wood flooring, it must be installed on a metal or wood panel extending its full width and depth. Alternatively, the carpeting, vinyl tile, etc. may be removed beneath the

firebox before installing.

COMBUSTIBLE MATERIALS MUST NOT BE INSTALLED OVER OR TOUCH ANY BLACK PAINTED SURFACE. DO NOT BLOCK HEAT CIRCULATING AIR OUTLETS. DOING SO MAY RESULT IN POTENTIAL FIRE HAZARDS.

1. **Sidewall Clearances:** Clearances from the side of the firebox opening to any adjacent combustible wall should not be less than 7".

2. **Ceiling Clearances:** The ceiling height should not be less than 42" from the top of the firebox opening.

## INSTALLING THE FIREBOX

This list of specific instructions will help you make certain that every installation operation is performed correctly. Complete the installation steps in the sequence shown.

LOCAL BUILDING CODES SHOULD BE CONSULTED IN ALL CASES AS TO THE PARTICULAR REQUIREMENTS CONCERNING THE INSTALLATION OF FACTORY BUILT FIREBOXES. Select the location for the firebox by taking into consideration the factors previously outlined in the "Choosing the Location." See page 5.

### Framing the Firebox

The width of the framed opening must be  $40 \frac{7}{8}$ ". The height of the framed opening must be  $38 \frac{1}{8}$ ". The entire firebox can be elevated above the floor to achieve a raised hearth effect. This can be done by adding a small platform to achieve the desired height.

**NOTE: The wiring for the optional blower must be installed during the framing stage.**

When the framing is inside, the outside wall will be insulated. If the framing or chase is outside, thin insulation should be used in the framing on the back, sides, and top. The bottom should be insulated with a hard insulating board. This will prevent cold from going into the chase through the firebox to the living space.

### Install the Firebox

Install the firebox into the framed opening by placing it directly in front of the opening and sliding it into the proper position.

### Level the Firebox

Check the level of the firebox on the top edge of the firebox face. Shim if necessary.

### Secure the Firebox

Secure the firebox to the framing. The nailing flange on the firebox will make securing the firebox to the frame quick and easy. Use appropriate size nails or screws to secure the firebox.

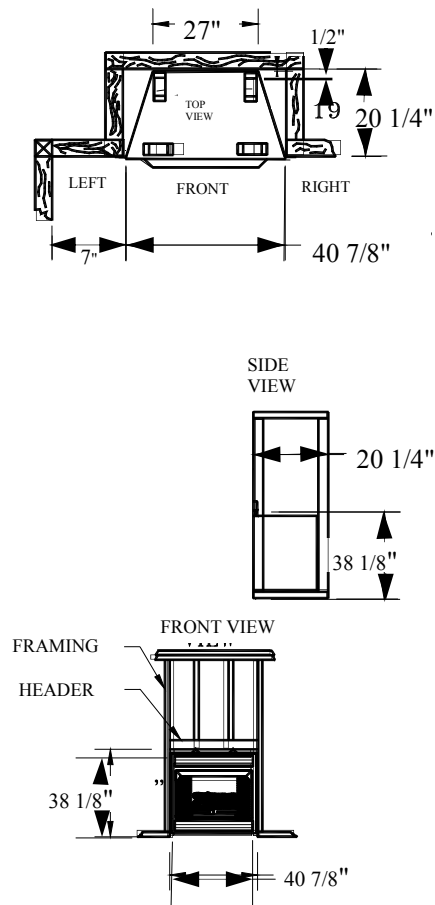


Figure 3

# FINISHING YOUR FIREBOX

There is a wide variety of finishing material available for your firebox from formal wall treatments with marble and mantels, to rustic wood paneling, stone or brick.

**IT IS IMPORTANT THAT THE BLACK FACE OF THE FIREBOX NOT BE COVERED WITH ANY TYPE OF COMBUSTIBLE MATERIAL.**

Non-combustible facing materials such as marble, brick, or ceramic tile may overlap the black face of the firebox up to the opening on either side of the firebox. Seal all joints between the black firebox face and the wall covering with a heat-resistant material such as rock wool insulation or mortar. Be sure to use high temperature adhesive or mortar when anchoring brick, stone, or tile to the face of the firebox. Check to see whether man-made brick and stone are made of non-combustible

materials before using them on the face of the firebox. Some of these products contain combustible materials. Combustible wall coverings such as paneling or wallboard may **not** overlap the black face of the firebox. The space between the wall covering and the firebox should be sealed with a heat resistant material such as rock wool insulation or mortar.

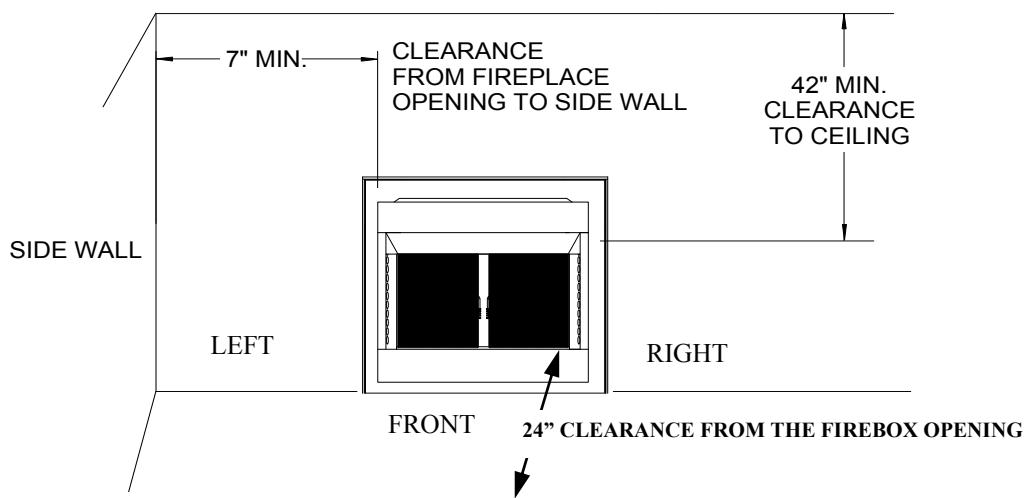
**NOTE: An "L" shaped steel lintel must be installed across the top of the firebox opening where facing materials such as brick or stone is used on the face of the firebox. It acts as a support/firestop. It should be attached to the face of the firebox with screws and sealed to the firebox with a heat-resistant sealer.**

## CLEARANCES

To ensure a safe installation, the following must be carefully observed.

1. **Sidewall Clearances:** Clearances from the side of the firebox opening to any adjacent combustible wall should not be less than 7". See Figure 4
2. **Ceiling Clearances:** The ceiling height should not be less than 42" from the top of the firebox opening.
3. **Mantel Clearances:** See Figure 5. Non-combustible materials used in this installation such as slate, tile, marble, etc. must be at least 1/2" thick.
4. **Floor Clearances:** No clearance is required if the appliance is installed per these instructions.

FIGURE 4



**MANTEL PROFILES FOR VENTLESS FIREBOX ENCLOSURE  
(UNIVERSAL BOX) ZERO CLEARANCE CABINET MUST BE  
FOLLOWED**

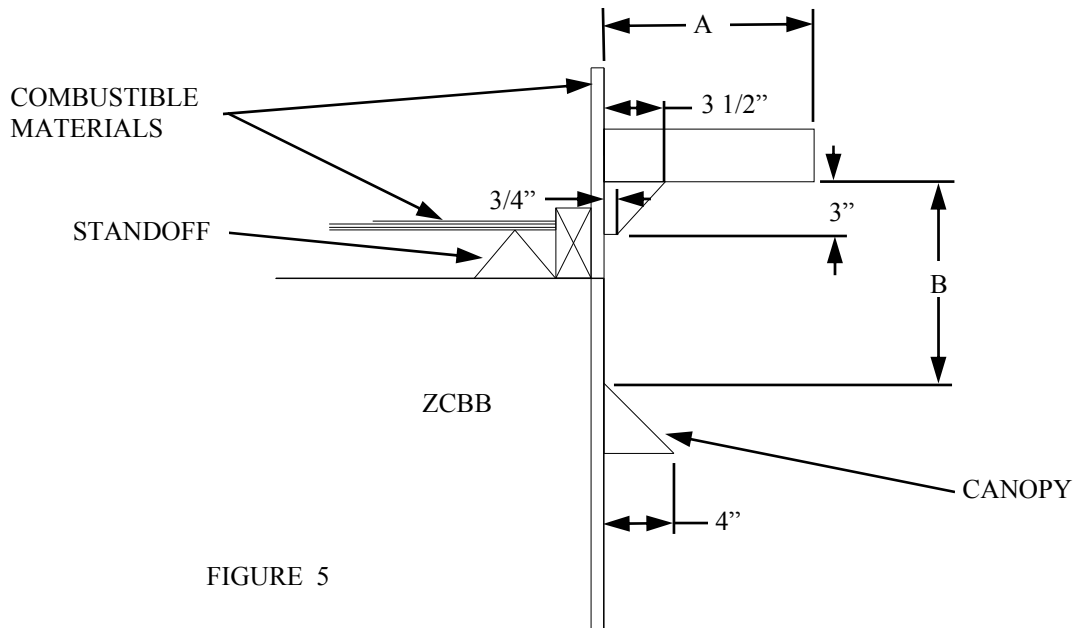


FIGURE 5

MANTEL CLEARANCES	
MANTEL WIDTH ("A" inches)	MANTEL HEIGHT ("B" inches above firebox opening)
6.0	14.0
8.0	14.0
10.0	14.0
12.0	16.0

## INSTALLATION INSTRUCTIONS FOR MODEL ZCBB OPTIONAL WOODEN FLUSH MOUNT MANTEL FRONT (FF) (KIT#PAKDMZCBBFF)

“NOTE: Follow the framing instructions on page(s) 6 & 7. With the exception of the placement of the ZCBB in the framed opening . The ZCBB must be placed with the front surface of the appliance 1-9/16” out from the finished wall. This will allow the FF to set flush with the front of the ZCBB”.

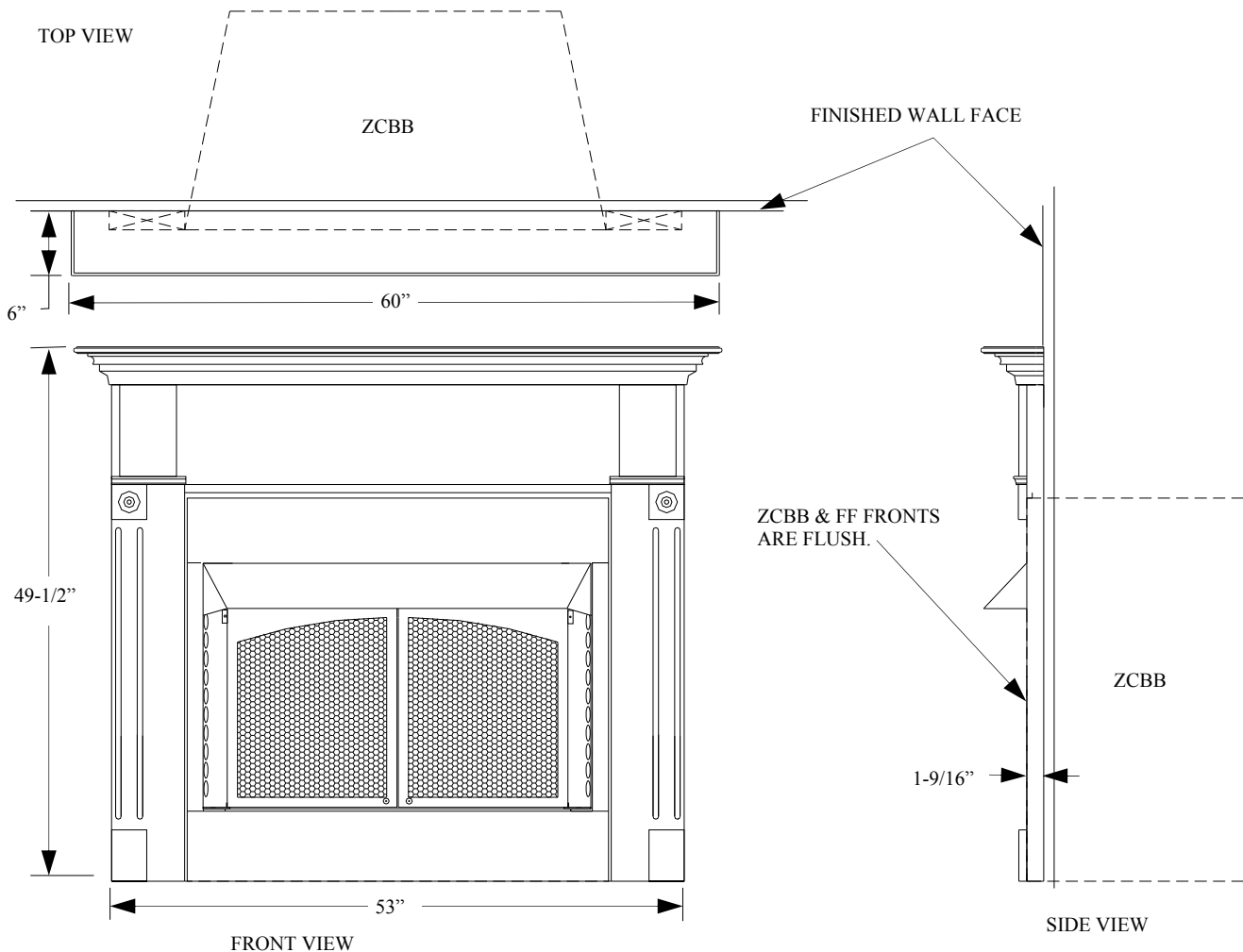
### CLEARANCES:

1. **Sidewall Clearances:** Clearances from the side of the firebox opening to any adjacent combustible wall should not be less than 7". (See page 8, figure 4)
2. **Ceiling Clearances:** The ceiling height should not be less than 42" from the top of the firebox opening.

### INSTALLATION INSTRUCTIONS:

1. After removing the FF kit from its packaging follow any pre-installation instructions provided with the kit.
2. Place the FF over the front of the ZCBB, centering the opening in the FF left to right with the ZCBB front.
3. Next you must secure the FF to the finished wall surface. You may use “L” brackets, screws or finishing nails (not provided with the FF).

**NOTE:** If an unfinished FF kit is used, do not operate the appliance while finishing the wood or before the finish has dried properly.



## INSTALLATION INSTRUCTIONS FOR MODEL ZCBB OPTIONAL WOODEN SURROUND (WS) (KIT# PAKDMZCBB)

### CLEARANCES:

1. **Sidewall Clearances:** Clearances from the side of the firebox opening to any adjacent combustible wall should not be less than 7". See Figure 4
2. **Ceiling Clearances:** The ceiling height should not be less than 42" from the top of the firebox opening.

### ASSEMBLY INSTRUCTIONS:

Tools Needed: Medium Phillips Screwdriver

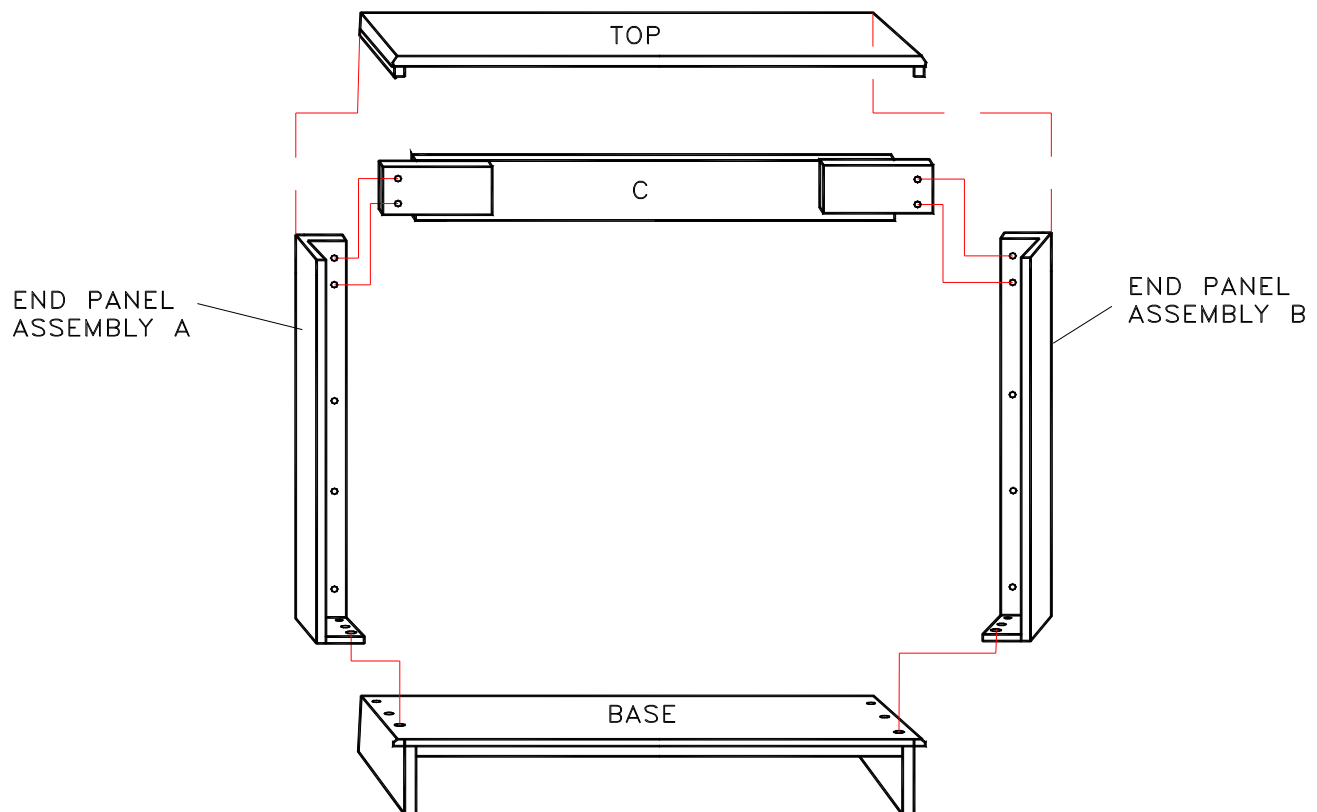
Step 1: Lay out all components. (See diagram 1)

Step 2: Assemble end panels (A & B) to top front rail ( C ).

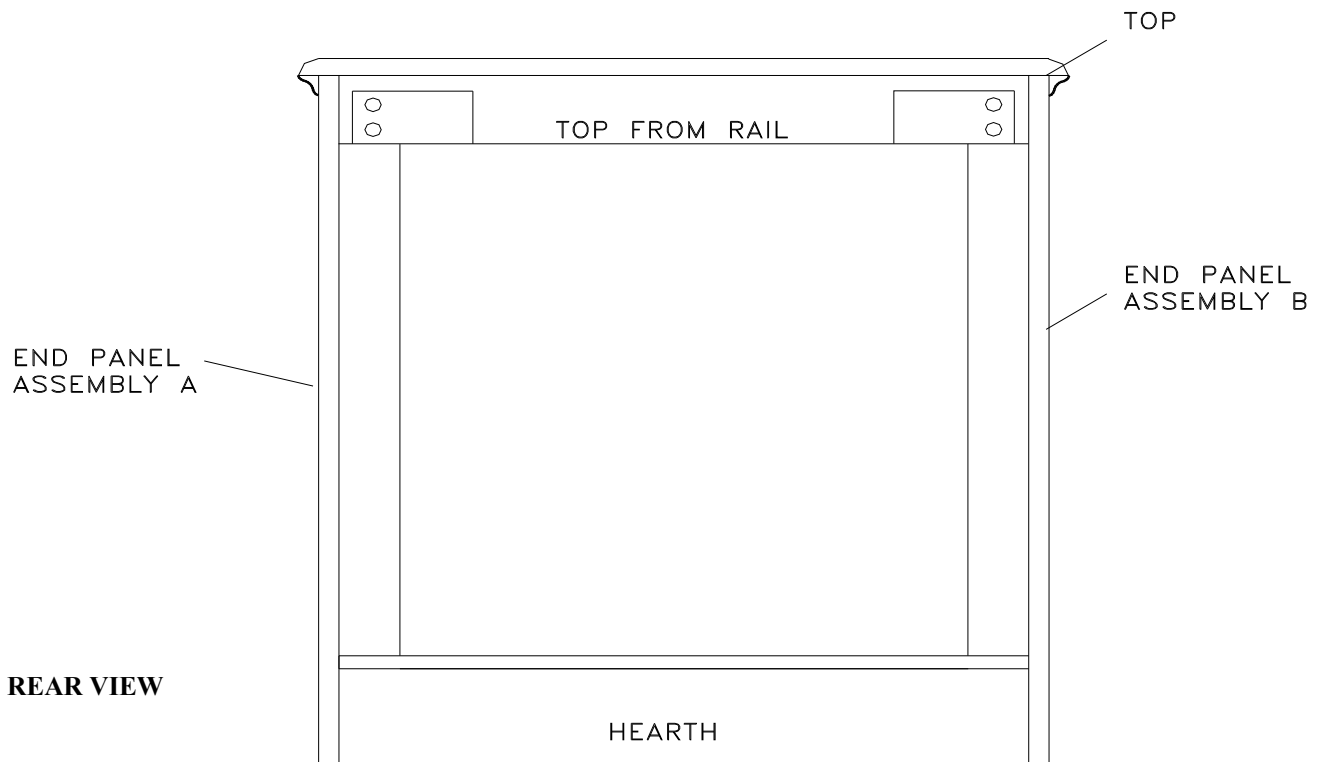
Step 3: Stand end panels and top front rail onto base (hearth) and fasten down with screws provided (See diagram 1).

NOTE: Position back of end panels with back of base (hearth) centering assembly from each end. Install front screws first, then pull back towards the inside to square the surround up. Install screws through back holes.

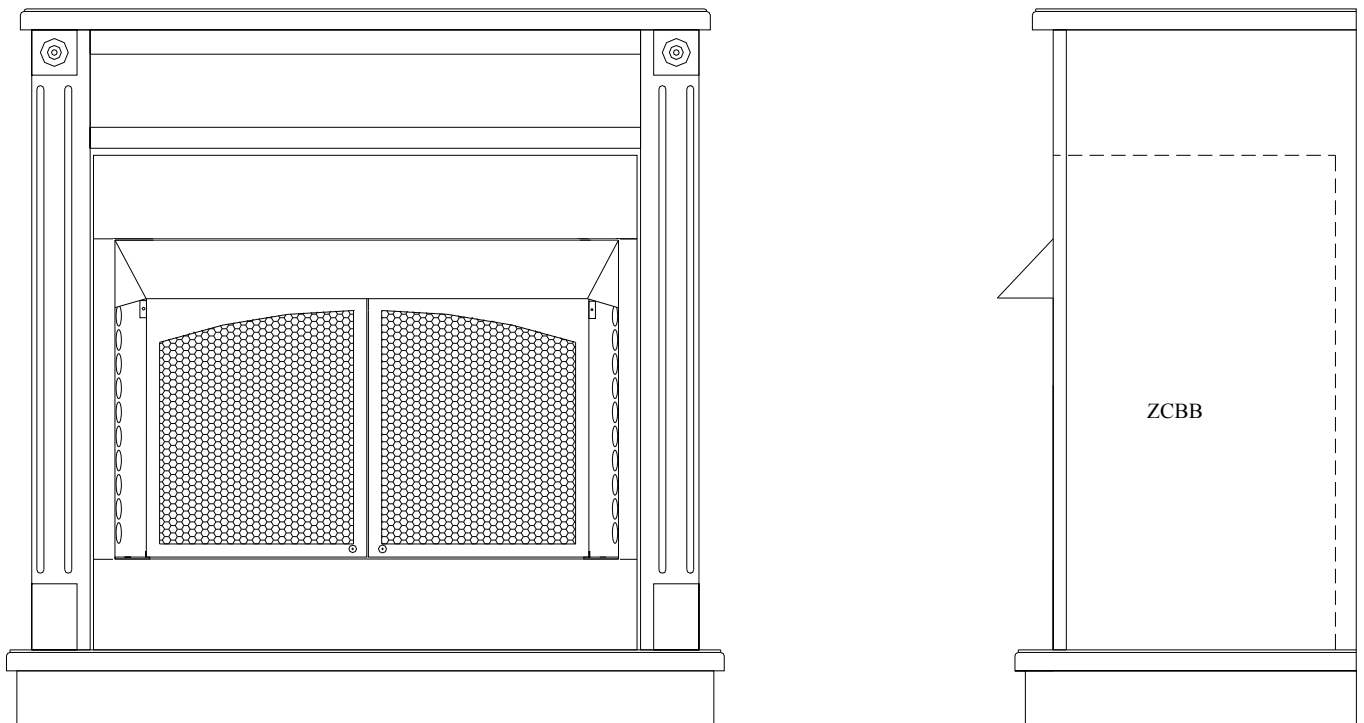
Step 4: Place top onto surround, flush with back and equal on each end. Secure both ends and middle with screws provided.



CONTINUED →



After assembling the WS you must insert the ZCBB. It is best to insert the ZCBB from the rear of the WS, this gives you more area to hold the ZCBB and reduces the risk of scratching the surface of the front area of the base (hearth) area. Flush and center the ZCBB's front in the WS. You can attach the ZCBB to the WS with "L" brackets at the rear sides of the ZCBB (brackets not provided).



## PRODUCING ADEQUATE VENTILATION

**NOTICE:** Information on provisions for adequate combustion and ventilation air are located in the unvented room heater 's installation instructions. The unvented room heater's instructions must be followed exactly.

This section is used for residential installation or mobile home installation.

### UNCONFINED SPACE:

An unconfined space has a minimum air volume of 50 cubic feet for each 1,000 BTU/Hr (4.8m<sup>3</sup> per Kw) input rating of all appliances in the space (Cubic feet equals Length x Width x Height of space). Include adjoining rooms only if there are doorless passageways or ventilation grills between the rooms.

### CONFINED SPACE:

"The National Fuel Gas Code defines a confined space as a space whose volume is less than 50 cubic feet per 1,000 BTU per hour (4.8m<sup>3</sup> per KW) of the aggregate input rating of all appliances installed in that space.

**"WARNING:** If the area in which the heater may be operated is smaller than that defined as an unconfined space, provide adequate combustion and ventilation air by one of the methods described in the National Fuel Gas Code, ANSI Z223.1, 1992, Section 5.3"

## DETERMINING FRESH-AIR FLOW FOR HEATER LOCATION

### DETERMINE IF YOU HAVE A CONFINED OR UNCONFINED SPACE

Use this worksheet to determine if you have a confined or unconfined space.

**SPACE:** Include the room in which you will install heater plus adjoining rooms with doorless passageways or ventilation grills between the rooms.

1. Determine the volume of the space (length x width x height).

Length x Width x Height= \_\_\_\_\_ cu.ft. (volume of space)

**EXAMPLE:** 20 ft. (length) x 16 ft. (width) x 8 ft. (ceiling height) =  
2560 cu. ft. (volume of space)

If additional ventilation to adjoining room is supplied with grills or openings, add the volume of these rooms to the total volume of space.

2. Divide the space volume by 50 cubic feet to determine the maximum BTU/Hr the space can support.

\_\_\_\_\_ (volume of space) / 50 cu. ft = (maximum BTU/Hr the space can support)

**EXAMPLE:** 2560 cu. ft. (volume of space) / 50 cu. ft. = 51.2 or  
51200 (maximum BTU/Hr the space can support.)

3. Add the BTU/Hr of all fuel burning appliances in the space.
- |                      |   |               |
|----------------------|---|---------------|
| Vent-Free Heater     |   | _____ BTU/Hr. |
| Gas Water Heater*    |   | _____ BTU/Hr. |
| Gas Furnace          |   | _____ BTU/Hr. |
| Vented Gas Heater    |   | _____ BTU/Hr. |
| Gas Fireplace Logs   |   | _____ BTU/Hr. |
| Other Gas Appliance* | + | _____ BTU/Hr. |
| Total                | = | _____ BTU/Hr. |

**Example:**

Gas water heater		40000 BTU/Hr.
Vent-free heater	+	18000 BTU/Hr.
Total	=	58000 BTU/Hr.

\* Does not include direct-vent gas appliances. Direct-vent draws combustion air from the outdoors and vents to the outdoors.

4. Compare the maximum BTU/Hr the space can support with the actual amount of BTU/Hr used.

	_____ BTU/Hr (maximum the space can support)
	_____ BTU/Hr (actual amount of BTU/Hr used)
Example:	51200 BTU/Hr (maximum the space can support)
	58000 BTU/Hr (actual amount of BTU/Hr used)

The space in the above example is a confined space because the actual BTU/Hr used is more than the maximum BTU/Hr the space can support. Additional fresh air must be provided. The following options are available.

- A. Rework worksheet, adding the space of an adjoining room. If the extra space provides an unconfined space, remove door to adjoining room or add ventilation grills between rooms. See “Ventilation Air From Inside Building”, page 15.
- B. Vent room directly to the outdoors. See “Ventilation Air From Outdoors” page 16.
- C. Install a lower BTU/Hr heater, if lower BTU/Hr size makes room unconfined.

If the actual BTU/Hr used is less than the maximum BTU/Hr the space can support, the space is unconfined. You will need no additional fresh air ventilation.



**WARNING**

---

**YOU MUST PROVIDE ADDITIONAL VENTILATION AIR IN A CONFINED SPACE**



# VENTILATION AIR

## VENTILATION AIR FROM INSIDE BUILDING

This fresh air would come from an adjoining unconfined space. When venting to an adjoining space, you must provide two permanent openings: one within 12" of the ceiling and one within 12" of the floor on the wall connecting the two spaces (see Options 1 and 2, Figure 6). You can also remove door into adjoining room (see Option 3, Figure 6).

### WARNING

**REWORK WORKSHEET, ADDING THE SPACE OF THE ADJOINING UNCONFINED SPACE. THE COMBINED SPACES MUST HAVE ENOUGH FRESH AIR TO SUPPLY ALL APPLIANCES IN BOTH SPACES.**

**NOTE: Each opening shall have a minimum free area of 1 square inch per 1000 BTU's per hour of the total input ratings of all gas utilization equipment in the confined space, but not less than 100 square inches.**

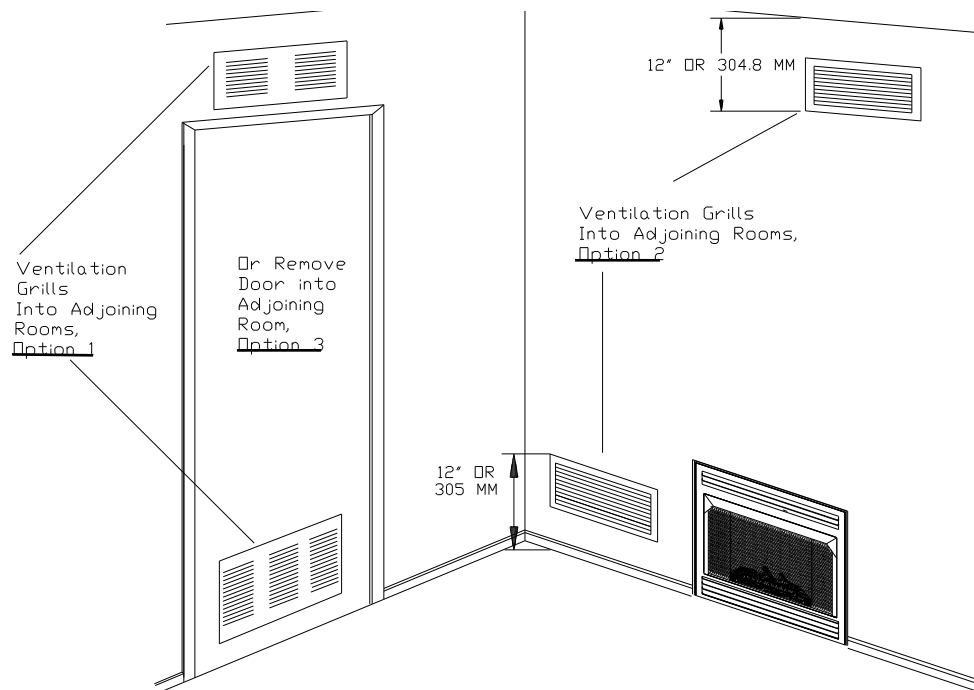


Figure 6  
Ventilation Air From Inside Building

# VENTILATION AIR FROM OUTDOORS

Provide extra fresh air by using ventilation grills or ducts. You must provide two permanent openings: one within 12" of the ceiling and one within 12" of the floor. Connect these items directly to the outdoors. These spaces include attics and crawl spaces. Follow the National Fuel Gas Code NFPA 54/ANSI Z223.1, Section 4.3, "Air For Combustion and Ventilation" for required size of ventilation grills or ducts.

**IMPORTANT:** Do not provide openings for inlet air into attic if attic has a thermostat-controlled power vent. Heated air entering the attic will activate the power unit.

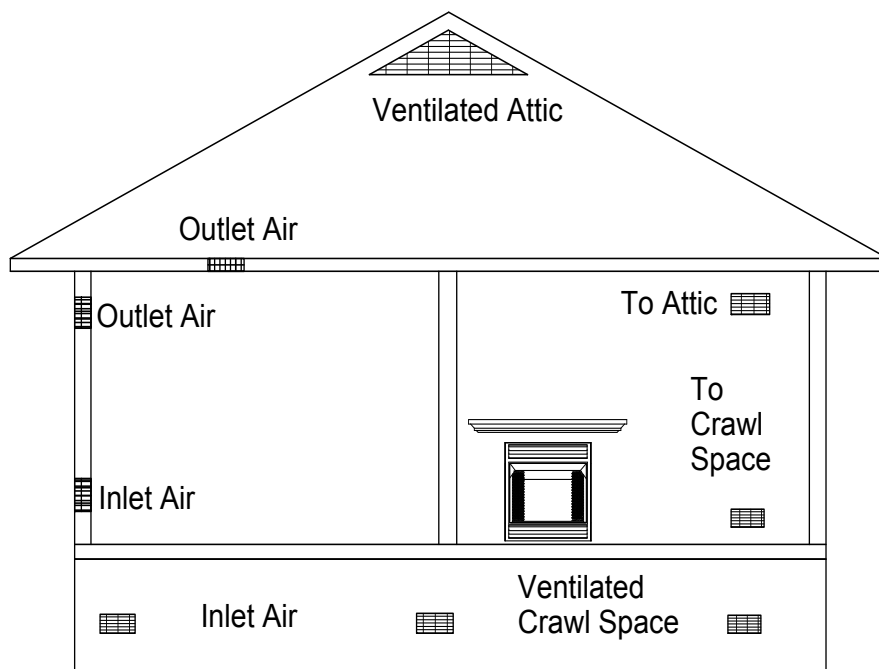


Figure 7 Ventilation Air From Outdoors

## WARNING

**THIS HEATER MUST HAVE FRESH AIR FOR PROPER OPERATION. IF NOT, POOR FUEL COMBUSTION COULD RESULT. READ THE FOLLOWING INSTRUCTIONS TO ENSURE PROPER FRESH AIR FOR THIS AND OTHER FUEL-BURNING APPLIANCES IN YOUR HOME.**

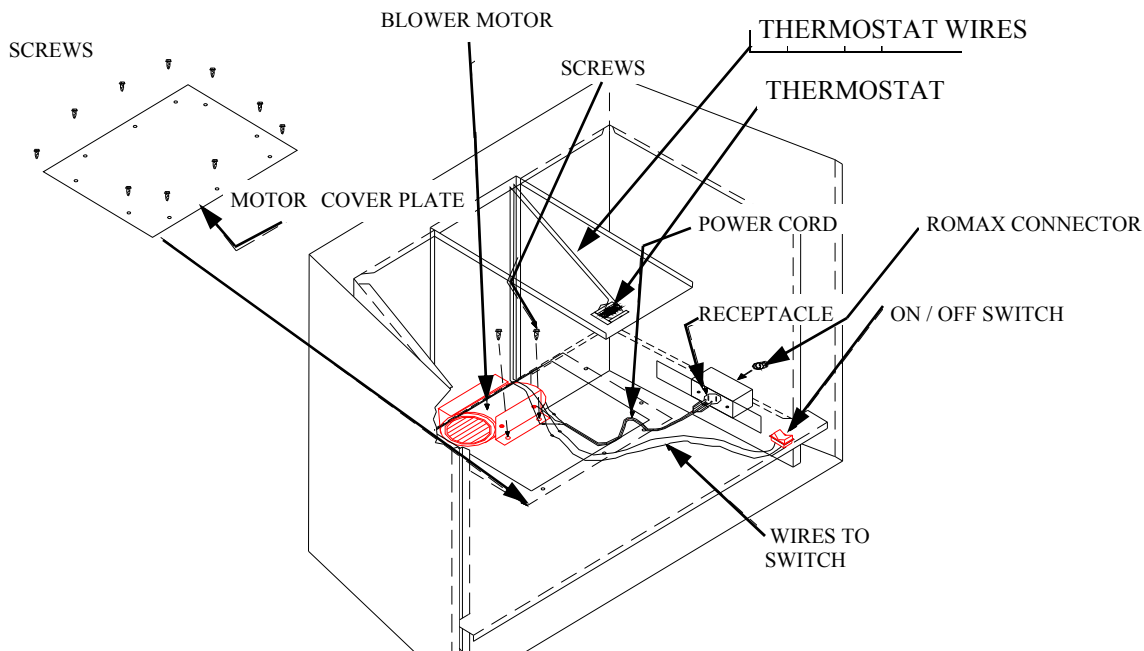
## OPTIONAL BLOWER INSTALLATION

The Model ZCBB has an optional MA ZCBB714 blower kit that can be purchased from your dealer. You will need to follow these steps and the diagram below and the wiring diagram on page 18.

**NOTE:** The receptacle which is provided in the Model ZCBB must be wired into your home (residence) in order to have electricity to operate the blower motor. If the receptacle hasn't been wired in during installation of the ZCBB you may need to contact a licensed electrician. The Model ZCBB also has a thermostat and wires and an ON/OFF switch standard on all units.

**“WARNING: Any changes to this heater or its controls can be dangerous.”**

- A. First remove the burner base and logs. Be sure to turn “OFF” the gas supply before disconnecting the supply line.
- B. Remove the (10) ten hex-head self-piercing screws that hold down the motor cover plate on the inner bottom of the unit.
- C. Locate the (2) two wires that come down the back of the rear air channel from the thermostat. Connect (1) one of the thermostat wires to the top terminal on the ON/OFF switch.
- D. Connect the black power cord wire to the 24" jumper wire provided, then attach the jumper wire to the middle terminal on the ON/OFF switch. Next connect the remaining thermostat wire to (1) of the wires coming from the motor. Connect the white power cord wire to the white motor wire. The green power cord wire should be screwed to the motor bracket as the ground wire. Place the blower motor in the cover plate opening. Position the blower motor into the air channel on the rear of the unit centering the blower motor. It is best to leave about a 1/8" space between the blower and the back of the air channel. This will reduce the chance of vibrating or noise.
- E. After placing the blower motor you must secure it to the bottom of the unit with the (2) two #10x1/2 Hex Washer Head self-piercing screws provided with the blower kit.
- F. Plug the power cord into the receptacle, and reattach the motor cover plate to the inner bottom using the screws you removed earlier.



**WARNING: IF THE INFORMATION IN THIS MANUAL IS NOT FOLLOWED EXACTLY, A FIRE OR EXPLOSION MAY RESULT CAUSING PROPERTY DAMAGE, PERSONAL INJURY OR LOSS OF LIFE.**

**WARNING:** CHILDREN AND ADULTS SHOULD BE ALERTED TO THE HAZARDS OF HIGH SURFACE TEMPERATURES AND SHOULD STAY AWAY TO AVOID BURNS OR CLOTHING IGNITION. YOUNG CHILDREN SHOULD BE CAREFULLY SUPERVISED WHEN IN THE SAME ROOM AS GAS LOGS.

**WARNING:** CLOTHING OR OTHER FLAMMABLE MATERIAL SHOULD NOT BE PLACED ON OR NEAR THESE GAS LOGS.

## WIRING DIAGRAM (MA ZCBB714)

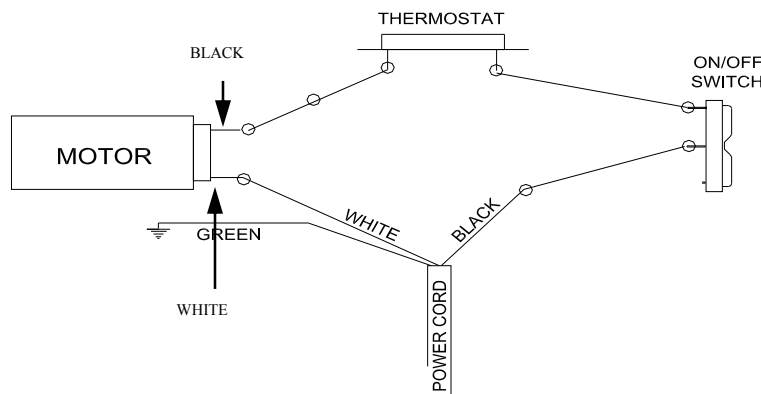


Figure 8

**NOTE:** “If any of the original wire must be replaced, it must be replaced with a wire of at least a 105° C temperature rating or its equivalent.”

**NOTE:** Installation and repair should be done by a qualified service person. This heater should be inspected before use and at least annually by a qualified service technician. More frequent cleaning may be required due to excessive lint from carpeting, bedding material, pet hair, etc. It is imperative that control compartments and circulating air passageways of the heater be kept clean.

**CAUTION:** Label all wires prior to disconnection when servicing controls. Wiring errors can cause improper and dangerous operation.

Verify proper operations after servicing.

**NOTE:** THE N.B.C. OPTIONAL FAN KIT MUST BE ELECTRICALLY GROUNDED IN ACCORDANCE WITH LOCAL CODES. IN THE ABSENCE OF LOCAL CODES, THE NATIONAL ELECTRICAL CODE, ANSI/NFPA 70 MUST BE USED.

## REPLACEMENT PARTS

1. PULL SCREEN (2) PER UNIT
2. SCREEN RODS (2) PER UNIT
3. REAR REFRACTORY AND SIDE REFRACTORY 2 PIECES PER UNIT
6. CANOPY
7. DOOR KIT (PART # MAZCBBDOORS)

**PARTS MAY BE OBTAINED THROUGH YOUR LOCAL NBC DEALER. IN ABSENCE OF A DEALER, PLEASE CONTACT NEW BUCK CORPORATION AT P.O. BOX 69, 8000 HWY 226 SOUTH, SPRUCE PINE, NC 28777.**

## OPTIONAL PARTS

DESCRIPTION	PART NUMBER
MOTOR	PE SBR084
ON/OFF SWITCH	PE RA911VB
POWER CORD	PE 400240
JUMPER WIRES	MA18GA18FF

# **NEW BUCK CORPORATION**

We reserve the right to amend these specifications at any time without notice. The only warranty applicable is our standard written warranty. We offer no other warranty, expressed or implied.

## **LIMITED WARRANTY VENTLESS FIREBOX ENCLOSURE**

New Buck warrants this product to be free from defects in materials and components for two (2) years from the date of first purchase, provided that the product has been properly installed, operated, and maintained in accordance with all applicable instructions. To make a claim under this warranty the Bill of Sale or canceled check must be presented.

This warranty is extended only to the original retail purchaser and covers the cost of parts required to restore the heater to proper condition. Warranty parts **MUST** be obtained through an authorized Buck Stove dealer and/or New Buck, who will provide original factory replacement parts. Failure to use original factory replacement parts voids this warranty. The heater must be installed by a qualified installer in accordance with all local codes and instructions furnished with the unit.

Warranty does not apply to parts that are not in original condition, normal wear and tear, or parts that fail or become damaged as a result of misuse, accidents, lack of proper maintenance or defects caused by improper installation.

### **WARRANTY DOES NOT COVER:**

- Removal and re-installation cost
- Labor costs for replacements or repairs
- Transportation
- Cost of service call to diagnose trouble
- Painted surfaces
- Damage or defect caused by improper installation, accident, misuse, abuse, or alteration

TO THE FULL EXTENT ALLOWED BY THE LAW OF THE JURISDICTION THAT GOVERNS THE SALE OF THE PRODUCT, THIS EXPRESS WARRANTY EXCLUDES ANY AND ALL OTHER EXPRESSED WARRANTIES AND LIMITS THE DURATION OF ANY AND ALL WARRANTIES, INCLUDING WARRANTIES OF MERCHANTABILITY AND FITNESS FOR A PARTICULAR PURPOSE TO ONE (1) YEAR FROM THE DATE OF FIRST PURCHASE. NEW BUCK LIABILITY IS HEREBY LIMITED TO THE PURCHASE PRICE OF THE PRODUCT AND NEW BUCK SHALL NOT BE LIABLE FOR ANY OTHER DAMAGES WHATSOEVER INCLUDING INCIDENTAL OR CONSEQUENTIAL DAMAGES.

Some states do not allow a limitation on how long an implied warranty lasts or an exclusion or limitation of incidental or consequential damages, so the above limitation on implied warranties, or exclusion on damages may not apply to you.

This warranty gives you specific legal rights. Other rights may vary from state to state.

## Free Manuals Download Website

<http://myh66.com>

<http://usermanuals.us>

<http://www.somanuals.com>

<http://www.4manuals.cc>

<http://www.manual-lib.com>

<http://www.404manual.com>

<http://www.luxmanual.com>

<http://aubethermostatmanual.com>

Golf course search by state

<http://golfingnear.com>

Email search by domain

<http://emailbydomain.com>

Auto manuals search

<http://auto.somanuals.com>

TV manuals search

<http://tv.somanuals.com>