



# NEW HOLLAND 700TL

730TL | 740TL | 750TL | 760TL | 770TL







## NEW HOLLAND LOADERS FOR NEW HOLLAND TRACTORS

### PURPOSE DESIGNED FOR A PERFECT MATCH.

Developed with the input of customers, the 700TL loader series have been purpose developed for New Holland tractors. Available in mechanical self-levelling MSL and non-levelling NSL versions, there is a 700TL loader that will perfectly match your tractor and your application.



# READY WHEN YOU ARE

## FAST FITTING AND REMOVAL

All New Holland loaders are supplied with integrated Varipark self-levelling stands and the Multi Quick coupler for single point hydraulic system coupling. The loader is attached using a simple latch system for fast fitting and removal.

## UNIQUE EASYLOCK SYSTEM.

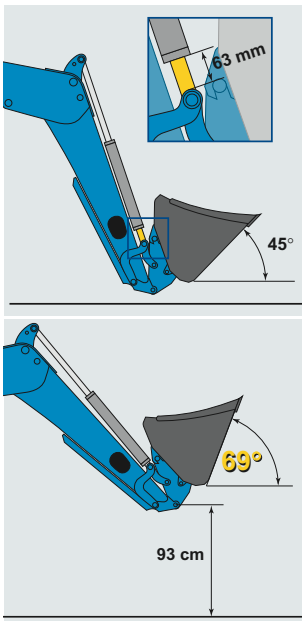
- 1 Drive the tractor into the parked loader. The couplings latch smoothly into the drop forged attachment hooks.
- 2 Lift hydraulic and electric connector from designated carrier and connect with the single point Multi quick coupler.
- 3 Lift the loader arms to engage the hooks.
- 4 Lock the towers and the arms together using the side handles.
- 5 Fold up the Varipark stands.
- 6 Job Done.



# NEW HOLLAND 700TL LOADER: QUALITY AND RELIABILITY BUILT IN.

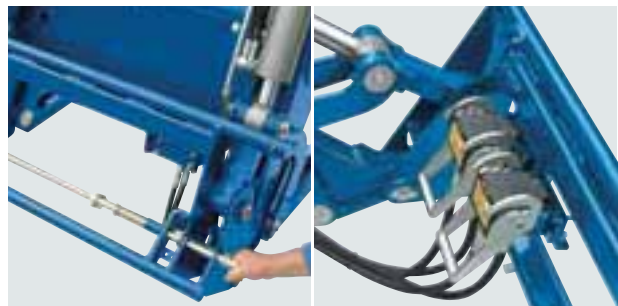
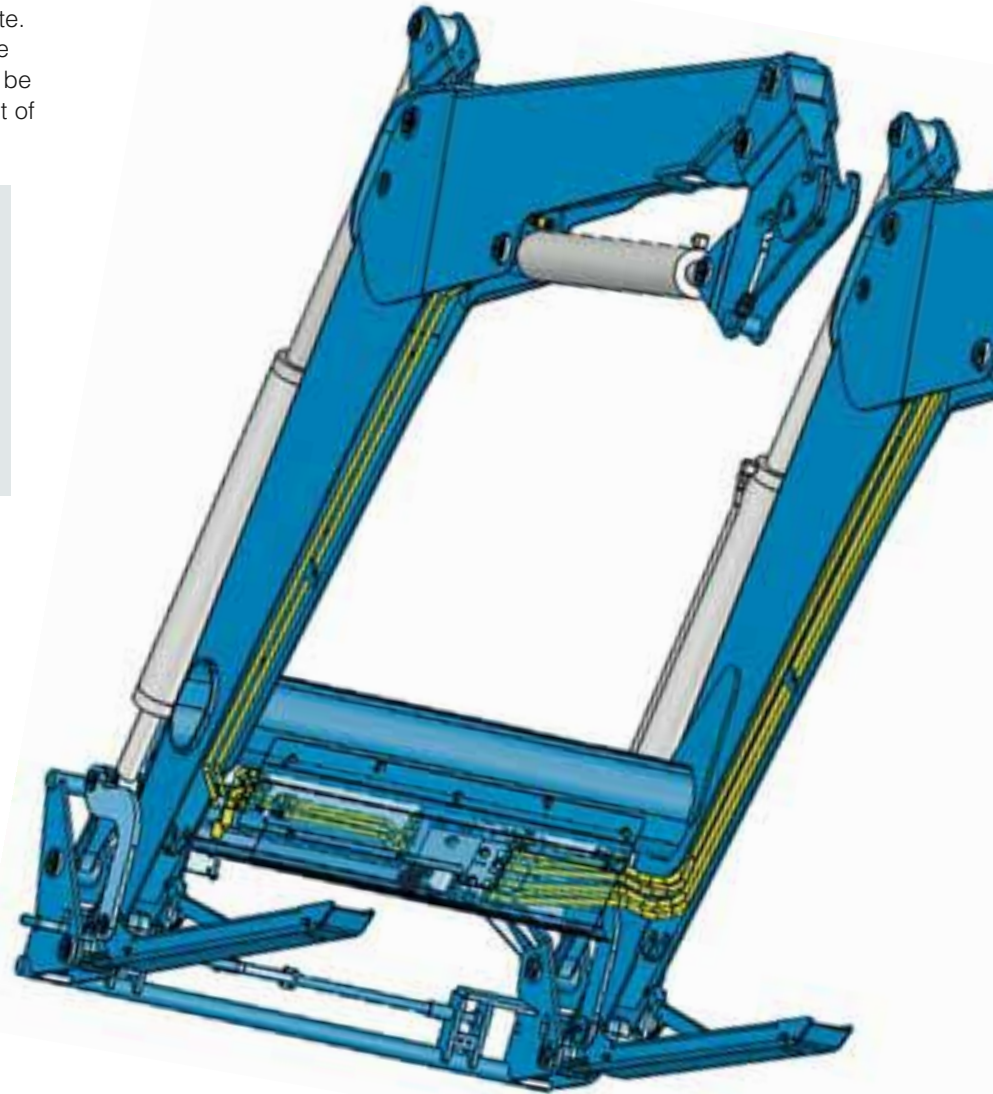
## SLIM AND STRONG

The rigid U-section booms are sealed with a recessed plate. This forms a channel for the hydraulic lines so they can be run down the boom and out of the operators sight line.



## EXTRA SCOOP - FULLY LOADED

Conventional mechanical self-levelling loaders have reduced bucket crowd as the boom is raised. At ground level, 700TL loaders feature 63mm of residual travel in the tilt ram. As the boom is raised, this travel is used to maintain a +24 degree ground to minimise losses from the lip of the bucket.



## QUICK RELEASE FRAME

Mechanical or hydraulic; safe, quick and reliable attachment change. A 3rd and 4th service are available for quick attachment connection.





### EASY ACCESS LUBRICATION

All key pivot points are fitted with heavy-duty bushes. These can all be lubricated from the side of the loader, with easy to see recessed grease points.



### SECURE AND EASY TO CHECK

Protected within the under boom channel section, the hydraulic lines remain easy to inspect.

### HIGHER REACHING

Now offering up to 10% extra reach, 700TL loaders offer improved overall performance that is ideally matched to the tractor.



### WIDE RANGE OF ATTACHMENTS

A range of attachments designed to complement the capacity of New Holland loaders is available.

These include forks, grabs and buckets. Euro or SMS attachment carriages can be specified to enable a new loader to work with existing equipment. Typical forward thinking from New Holland.



## BEST WORKING EXPERIENCE?



### SEAT MOUNTED CONTROLS

Mechanical controls, which mount within easy reach of the operator, can be specified. A full electro hydraulic system can be fitted to T6000 tractors with an armrest mounted joystick.

### VISIBILITY

A slim boom profile and concealed hydraulic lines ensure 700TL loaders are the perfect match for the high visibility Horizon tractor cab.



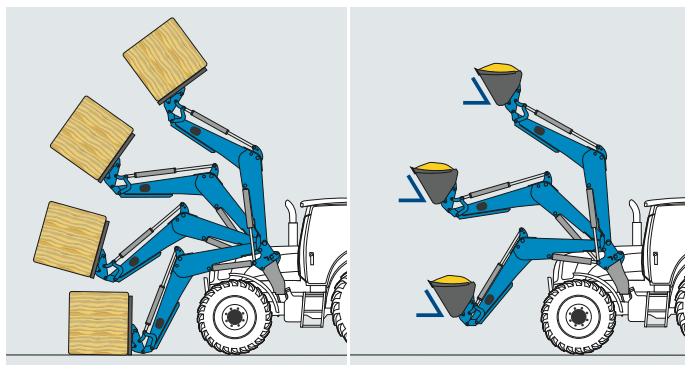


### FAST STEER™ SYSTEM

Couple a New Holland 700TL loader to the Fast Steer system and experience the ultimate in productivity. Fast Steer allows full lock to lock turns with a mere 8 degree turn of the steering wheel.

### CAPACITIES TO MATCH YOUR DEMANDS

Five New Holland 700TL front loaders are available. Each can be specified with a choice of manual levelling or mechanical self-levelling. Lift capacities span 2060kg to 2808kg and maximum lift heights range from 3740mm to 4260mm.

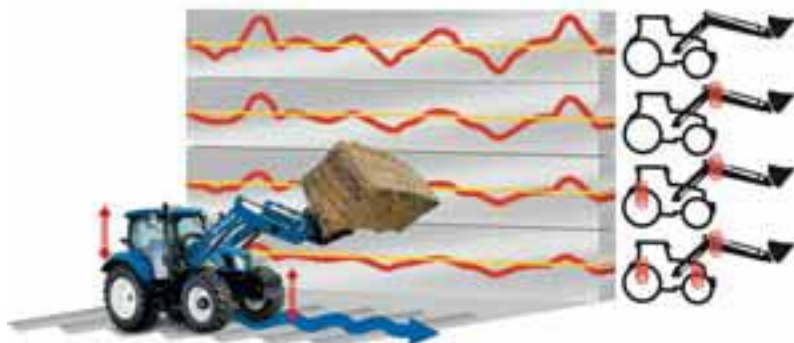


### NSL (NON SELF LEVELLING SYSTEM)

Robust and simple to operate.

### MSL (MECHANICAL SELF LEVELLING SYSTEM)

The new 700TL front loader benefits from a patented built in control arm for the self levelling system. This improves visibility and makes the 700TL ideal for rehandling duties.



### SMOOTH RIDE CONTROL

Integrated into the cross member of the loader arm. The damping system helps protect the operator from shock loads over uneven terrain. Match a 700TL loader with Comfort Ride cab suspension for a smoother ride.

# SPECIFICATIONS

MODELS		73OTL		74OTL		75OTL		76OTL		77OTL
Self Levelling System		NSL	MSL	NSL	MSL	NSL	MSL	NSL	MSL	MSL
<b>Q1*</b> Max. lift capacity at lower arm pivot point	(kg)	2060		2539		2304		2641		2808
<b>Q2*</b> Max. lift capacity at upper arm pivot point	(kg)	1540		1896		1764		2029		2285
<b>N1**</b> Payload lower arrow	(kg)	1754	2060	2172	2539	1988	2304	2284	2641	2808
<b>N2**</b> Payload upper arrow	(kg)	1285	1540	1590	1896	1499	1764	1723	2029	2285
<b>R</b> Max. break-open force bucket edge	(kg)	1713	2594	2172	2600	2386	2600	2386	2855	3400
Weight without tool and attached parts	(kg)	420	465	425	475	470	540	480	550	680
<b>H</b> Max. lift height at pivot	(mm)	3740		3740		4070		4070		4260
<b>L</b> Loading height edge blade parallel	(mm)	3530		3530		3860		3860		4050
<b>A</b> Loading height edge blade tilted	(mm)	2690		2690		3010		3010		3210
<b>B</b> Loader height	(mm)	1780		1780		1930		1930		1930
<b>W</b> Reach, bucket tilted	(mm)	700		700		785		785		785
<b>S</b> Digging depth	(mm)	210		210		210		210		210
<b>X</b> Tilt angle standard	(° degrees)	46		46		46		46		46
<b>X1</b> Tilt angle Extra Scoop	(° degrees)	-	65	-	65	-	68	-	68	68
<b>Z</b> Dump angle Loader Up	(° degrees)	59		59		59		59		59
Min. tractor power	[kW/hp(CV)]	50/70		50/70		65/90		65/90		90/120
Max. tractor power	[kW/hp(CV)]	75/100		80/110		90/120		105/140		130/180
Smooth ride control		○	○	○	○	○	○	○	○	○
Varipark		●	●	●	●	●	●	●	●	●
3rd Service		○	○	○	○	○	○	○	○	○
3rd & 4th Service		○	○	○	○	○	○	○	○	○
Fast Tip		○	-	○	-	○	-	○	-	-
Extra Scoop		-	●	-	●	-	●	-	●	●
Active Extra Scoop + Active Fast Tip (Button Controlled)		-	○	-	○	-	○	-	○	○
New Holland Blue colour		●	●	●	●	●	●	●	●	●

NSL = Non Self Levelling MSL = Mechanical Self Levelling

● Standard ○ Optional - Not Available

All forces are specified for an operating pressure of 185 bar.

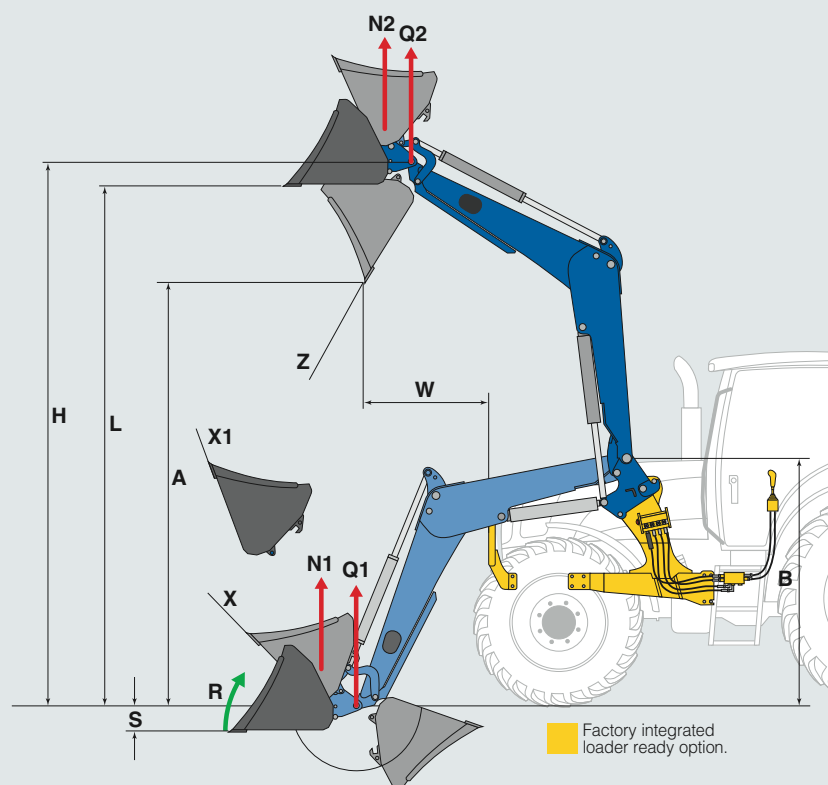
\* Tested with no implements fitted.

\*\* Payload is calculated as the lift capacity minus the implement weight.

## RECOMMENDATIONS

RANGE	MODEL	73OTL	74OTL	75OTL	76OTL	77OTL
<b>T5000</b>	T5030	●	-	-	-	-
	T5040	○	●	○	-	-
	T5050	-	●	○	-	-
	T5060	-	●	○	-	-
	T5070	-	○	●	-	-
<b>T6000 Delta / Plus /Elite</b>	T6010	-	●	○	-	-
	T6020	-	●	○	-	-
	T6030	-	-	○	●	-
	T6040	-	○	●	-	-
	T6050	-	-	○	●	-
	T6070	-	-	-	●	-
<b>T6000 Range Command &amp; Power Command</b>	T6050	-	-	○	●	-
	T6070	-	-	-	●	-
	T6080	-	-	-	○	●
	T6090	-	-	-	○	●

● Recommended ○ Possible - Not Possible



YOUR SUCCESS - OUR SPECIALTY

NEW HOLLAND TOP SERVICE 00800 64 111 111

### 24/7 Support and Information

The call is free from a land line. Check in advance with your Mobile Operator if you will be charged. Alternatively call 01 2421881.

Visit our web site for UK: [www.newholland.com/uk](http://www.newholland.com/uk) - for ROI: [www.newholland.com/ie](http://www.newholland.com/ie)

The data indicated in this folder are approximate. The models described here can be subjected to modifications without any notice by the manufacturer. The drawings and photos may refer to equipment that is either optional or intended for other countries. Please apply to our Sales Network for any further information. Published by New Holland Brand Communications. Bts Adv. - 100006/INB - Printed in Italy - 02/11 - TP01 - (Turin)

AT YOUR OWN DEALER



## Free Manuals Download Website

<http://myh66.com>

<http://usermanuals.us>

<http://www.somanuals.com>

<http://www.4manuals.cc>

<http://www.manual-lib.com>

<http://www.404manual.com>

<http://www.luxmanual.com>

<http://aubethermostatmanual.com>

Golf course search by state

<http://golfingnear.com>

Email search by domain

<http://emailbydomain.com>

Auto manuals search

<http://auto.somanuals.com>

TV manuals search

<http://tv.somanuals.com>