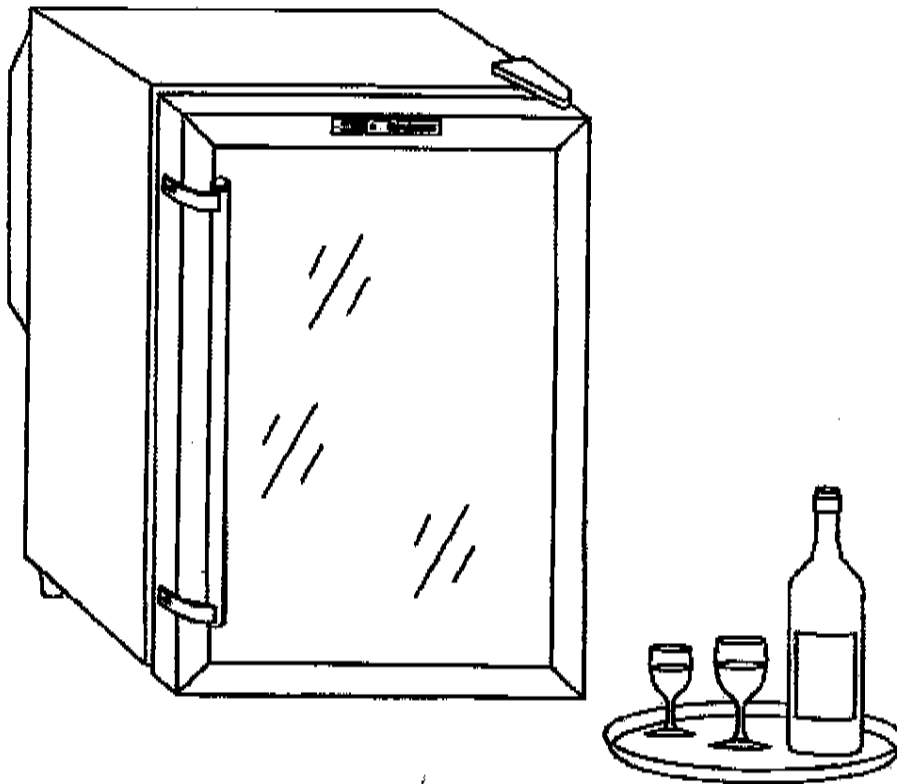




# OWNER'S MANUAL

## 28 Bottle Thermoelectric Wine Cooler

MODEL: AW-281E



Please read and save these instructions.

## **INSTALLATION INSTRUCTIONS**

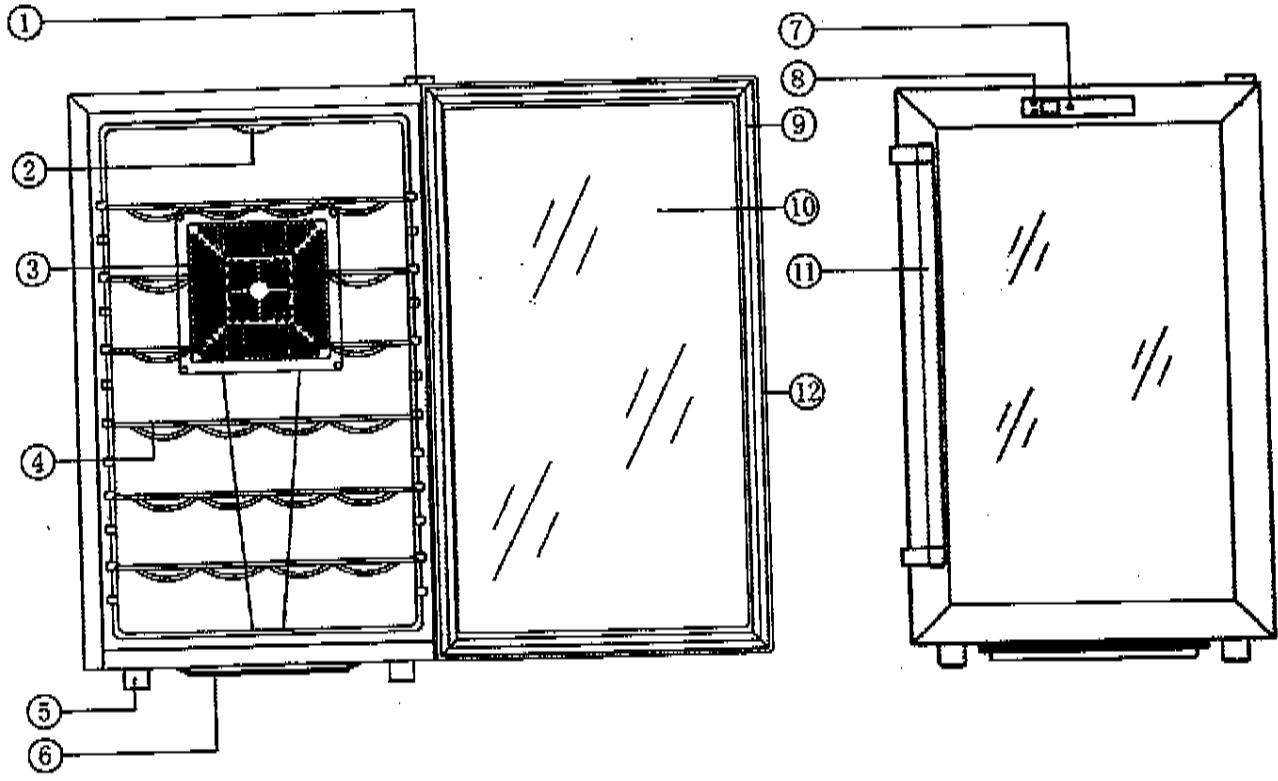
### ***Before Using Your Wine Refrigerator:***

- Remove exterior and interior packing material.
- Check to make sure the following parts are included:
  - ◆ 6 slide-out shelves
  - ◆ Door handle and 2 screws
  - ◆ Instruction manual
- Before connecting the appliance to the power supply, let it stand upright for approximately 2 hours. This will reduce the possibility of malfunction in the cooling system that may have occurred from handling during transportation.
- Clean the wine cooler's interior surface with lukewarm water using a soft cloth before using the wine cooler for the first time.

### ***Installing Your Wine Refrigerator:***

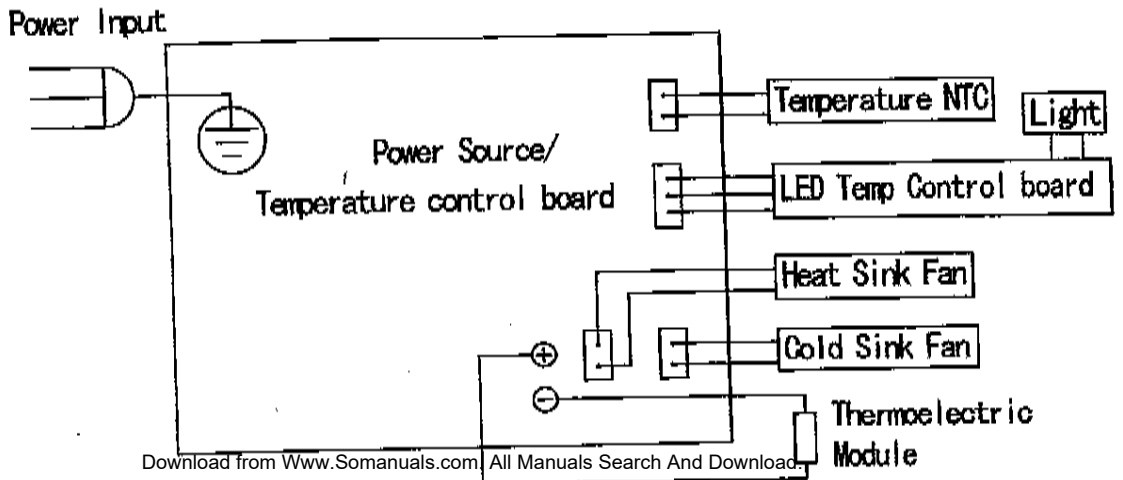
- Place the appliance on a floor that is strong enough to support it when it is fully loaded. To level the wine refrigerator, adjust the front feet located on the bottom of the appliance.
- Keep the wine cooler away from direct sunlight and excess heat sources such as stoves, heaters, radiators, etc. Direct sunlight may affect the unit's acrylic coating and heat sources may increase electricity consumption. Extreme cold or hot ambient temperatures may also cause the appliance to perform improperly.
- This unit can be recessed. Please allow a 1" inch clearance all around the unit.

# PARTS LIST



- |                     |                  |
|---------------------|------------------|
| 1. Door Hinge Cover | 7. Light Switch  |
| 2. Internal Light   | 8. Control Panel |
| 3. Fan              | 9. Magnetic Seal |
| 4. Wine Racks       | 10. Glass Door   |
| 5. Feet             | 11. Door Handle  |
| 6. Water Reservoir  | 12. Door Frame   |

# WIRING DIAGRAM



## IMPORTANT SAFETY INSTRUCTIONS

- Carefully read all instructions before using this wine refrigerator for the first time.
- **DANGER – RISK OF CHILD ENTRAPMENT:** An empty wine refrigerator can be dangerous to children. Remove any latches, lids, locks, and/or doors from unused or discarded appliances to prevent child entrapment and suffocation.
- Never allow children to operate, play with, or crawl inside this appliance.
- Do not clean the appliance with flammable fluids or corrosive chemicals. The fumes can cause a fire or an explosion.
- Do not store or use gasoline or any other flammable vapors and liquids in the vicinity of this or any other appliances. The fumes can cause a fire or an explosion.

## ELECTRICAL CONNECTION

### ⚡ Warning! ⚡

Improper use of the grounded plug can result in electrical shock. If the power cord is damaged, please contact a qualified electrician or service technician.

- This unit should be properly grounded for your safety. The power cord is equipped with a 3-pin plug which is compatible with 3-pin wall outlets. This is to minimize the possibility of electrical shock. Do not, under any circumstances, cut or remove the ground wire from the supplied power cord.
- Use of an extension cord is not recommended.
- This unit requires a standard 110V ~ 60Hz electrical outlet with 3-pin plug.
- To prevent accidents and/or injury, the power cord should be secured behind the wine refrigerator and not left exposed or dangling.

**SAVE THESE INSTRUCTIONS!**

# TROUBLESHOOTING

Many common wine refrigerator problems can be easily solved, saving you the cost of a possible service call. Try the suggestions below to see if you can solve your problem before calling customer service.

PROBLEM	POSSIBLE CAUSES
The wine refrigerator does not operate.	<ul style="list-style-type: none"> <li>• The unit is not plugged in.</li> <li>• The circuit breaker may be tripped or there is a blown fuse in your home.</li> </ul>
The wine refrigerator is not cold enough.	<ul style="list-style-type: none"> <li>• Check the unit's temperature control settings.</li> <li>• The external environment may be too hot.</li> <li>• The door is being opened too often.</li> <li>• The door is not closed completely.</li> <li>• The door seal does not seal properly.</li> <li>• The wine refrigerator does not have the correct clearances.</li> </ul>
The internal light does not work.	<ul style="list-style-type: none"> <li>• Call customer service.</li> </ul>
The unit is vibrating.	<ul style="list-style-type: none"> <li>• Make sure the wine refrigerator is placed on a level floor surface.</li> </ul>
The wine refrigerator is making too much noise.	<ul style="list-style-type: none"> <li>• The wine refrigerator is not level.</li> <li>• Check the unit's fan.</li> </ul>
The door will not close properly.	<ul style="list-style-type: none"> <li>• The wine refrigerator is not level.</li> <li>• The doors are not installed properly.</li> <li>• The magnetic seal is not working properly.</li> <li>• The shelves are not positioned correctly.</li> </ul>
There is no LED display.	<ul style="list-style-type: none"> <li>• The main control board does not work.</li> </ul>
The push buttons are not functioning properly.	<ul style="list-style-type: none"> <li>• The control panel is damaged.</li> </ul>

## **IMPORTANT SAFEGUARDS**

Do not store food items in the wine refrigerator. The unit's interior temperature may not be low enough to prevent spoilage.

## **OPERATING YOUR WINE REFRIGERATOR**

It is recommended that you keep the wine refrigerator in a place where the ambient temperature is between 77-80.6° F. If the ambient temperature is above or below the recommended temperature range, the unit's performance may be affected. Using the wine refrigerator in extreme cold or hot conditions may cause interior temperatures to fluctuate, and the ideal range of 54-66° F may not be reached.

The temperature display reflects the temperature of the area near the center racks in the wine refrigerator. Keep in mind that the temperature may fluctuate approximate +/-7 degrees on the top or bottom racks.

The temperature may fluctuate depending on whether or not the interior light is on or off and whether the bottles are located on the upper, middle, or lower racks.

### ***Setting the Temperature:***

Use the push buttons to set your desired temperature. Use the "▲" and "▼" to adjust the temperature by 1° F between 54-66° F. You can turn the interior light on or off by pressing the "light" button.

## **CARE AND MAINTENANCE**

### ***Cleaning Your Wine Refrigerator:***

- Unplug the wine refrigerator from the power supply and remove any bottles.
- Wash the inside of the unit with a warm water and baking soda solution. The solution should consist of 2 tablespoons of baking soda to one quart of water.
- Clean the outside of the wine refrigerator with mild detergent and warm water.
- Unscrew the water reservoir from the bottom of the wine refrigerator and rinse it with water.

### ***Storage:***

Because wine bottles may differ in size and dimensions, the actual number of bottles you can store in this unit may also vary.

This wine refrigerator is designed to store your wine at the perfect temperature. The proper storing temperature for all wine, both red and white, is between 53°F - 57°F.

### ***Moving Your Wine Refrigerator:***

- Remove all the bottles from the unit.
- Securely tape down the shelves inside the wine refrigerator.
- Screw the leveling legs up to the unit's base to avoid damage.
- Tape the door shut.
- Make sure the wine refrigerator stays in an upright position during transportation.

## **IMPORTANT SAFEGUARDS**

Do not store food items in the wine refrigerator. The unit's interior temperature may not be low enough to prevent spoilage.

## **OPERATING YOUR WINE REFRIGERATOR**

It is recommended that you keep the wine refrigerator in a place where the ambient temperature is between 77-80.6° F. If the ambient temperature is above or below the recommended temperature range, the unit's performance may be affected. Using the wine refrigerator in extreme cold or hot conditions may cause interior temperatures to fluctuate, and the ideal range of 54-66° F may not be reached.

The temperature display reflects the temperature of the area near the center racks in the wine refrigerator. Keep in mind that the temperature may fluctuate approximate +/-7 degrees on the top or bottom racks.

The temperature may fluctuate depending on whether or not the interior light is on or off and whether the bottles are located on the upper, middle, or lower racks.

### ***Setting the Temperature:***

Use the push buttons to set your desired temperature. Use the "▲" and "▼" to adjust the temperature by 1° F between 54-66° F. You can turn the interior light on or off by pressing the "light" button.



## Free Manuals Download Website

<http://myh66.com>

<http://usermanuals.us>

<http://www.somanuals.com>

<http://www.4manuals.cc>

<http://www.manual-lib.com>

<http://www.404manual.com>

<http://www.luxmanual.com>

<http://aubethermostatmanual.com>

Golf course search by state

<http://golfingnear.com>

Email search by domain

<http://emailbydomain.com>

Auto manuals search

<http://auto.somanuals.com>

TV manuals search

<http://tv.somanuals.com>