

nextar™

**CAR STEREO WITH SD/MMC AND USB SLOT
NC990C**

DEAR CUSTOMER:

Selecting fine audio equipment such as the unit you have just purchased is only the start of your musical enjoyment. Now it is time to consider how you can maximize the fun and excitement your equipment offers.

We hope you get the most out of your equipment by playing it at a safe level.

One that lets the sound come through loud and clear without annoying blare or distortion, and, more important, without affecting your sensitive hearing.

Sound can be misled. Over time your hearing "comfort level" adapts to higher volumes of sound. So what sounds "normal" can actually be loud and harmful to your hearing. Guard against this by setting your equipment at a safe level BEFORE your hearing adapts.

To establish a safe level:

Start your volume control at the lowest setting, then slowly increase the sound until you can hear it comfortably and clearly, and without distortion we want you listening for a lifetime.

Once you have established a comfortable sound level:

Set the dial and leave it there.

Taking a minute to do this now will help to prevent hearing damage or loss in the future. After all, we want you listening for a lifetime.

ABOUT THIS MANUAL

This product features a number of sophisticated functions ensuring superior reception and operation. All are designed for the easiest possible use, but many are not self-explanatory. This operation manual is intended to help you benefit fully from their potential and to maximize your listening enjoyment.

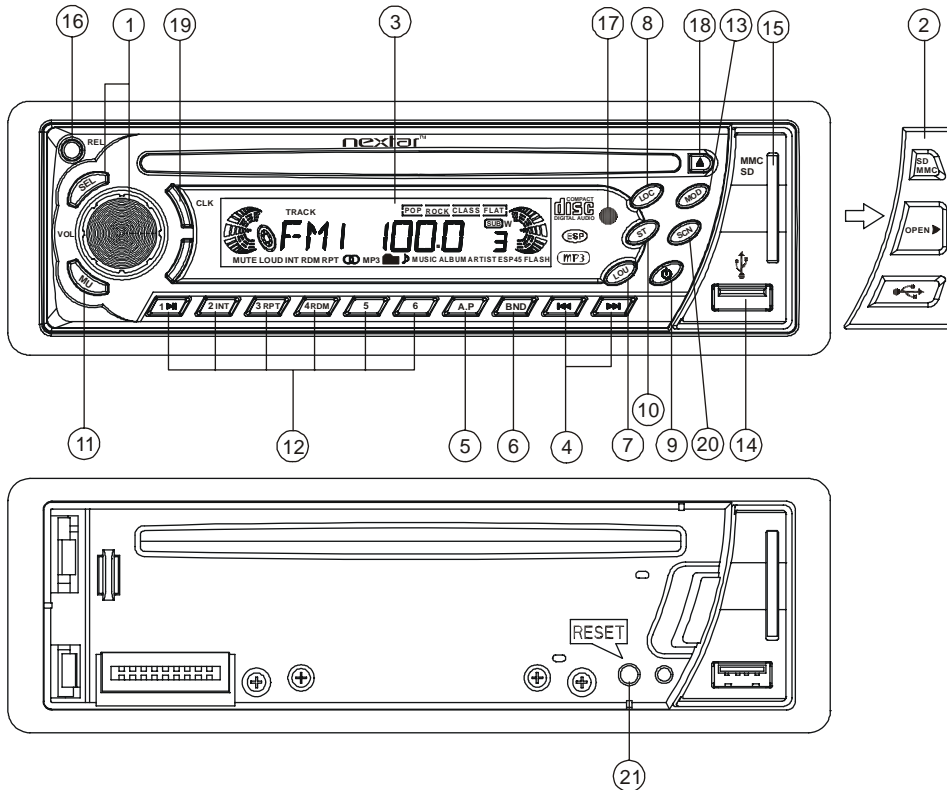
We recommend that you familiarize yourself with the functions and their operation by reading through the manual before you begin using this product. In this operation manual, the Basic Operation for each sound source is outlined at the beginning of its explanation, covering simple operation for that source, such as merely playing music.

Remark:

In addition to normal audio CD, this unit can play CD-R and CD-R/W disc that contain audio tracks as well; however, depending on the conditions of the recording equipment, recording program or the CD-R as well as CD-R/W disc itself, some CD-R or CD-R/W may not play.

When making music CD with CD-R or CD-R/W disc, too high recording speed may result in poor signal quality and therefore, it is recommendable to select 24x or lower speed for CD-R recording and 4x or lower speed for CD-R/W recording.

LOCATION AND FUNCTION OF CONTROLS



1. SEL (AUDIO MODE SELECT)/ROTARY ENCODER

(1) Press SEL button shortly and repeatedly to change the mode in the sequence as follows: --> VOL --> BAS --> TRB --> BAL --> FAD -->

1) VOLUME CONTROL

- A. The volume level can be adjusted at any time by rotating the VOL knob as select mode has been initially defaulted at volume mode.
- B. The volume level is also obtained by stepping through the SEL button until the function VOL is displayed and then rotate the VOL knob to adjust the sound level.

2) BASS CONTROL

- A. Press the SEL button to select the bass mode until BAS appears on the display.
- B. Rotate the VOL knob to adjust the bass effect.

3) TREBLE CONTROL

- A. Press the SEL button to select the treble mode until TRE appears on the display.
- B. Rotate the VOL knob to adjust the treble effect.

4) BALANCE CONTROL

- A. Press the SEL button to select the balance mode until BAL appears on the display.
- B. Rotate the VOL knob to increase or decrease the sound level of left / right speaker.

5) FADER CONTROL

- A. Press the SEL button to select the fader mode until FAD appears on the display.
- B. Rotate the VOL knob to increase or decrease the sound level of front / rear speaker.

(2) When pressed longer 2 seconds, it is activated as cyclical mode of following functions for user's selection.

-> BEEP (2nd/ALL/OFF) ->SEEK1/ 2 -> DSP(OFF/POP/ROCK/CLASSIC/FLAT)

->SUBW OFF/ON -> VOL LAST/VOL ADJ -> ESP 40/10 seconds mode.

After selecting the desired mode, rotate the VOL knob to select one setup item of the desired mode.

BEEP 2ND, BEEP ALL, BEEP OFF MODE

The situation of beep sound is selected. The 3 mode is selected as also rotating the VOL knob.

- Beep 2nd mode:

The beep is only generated when an allotted double key is pressed long (1 second).

- Beep all mode:

The beep is generated when every key is pressed.

- Beep off mode:

The beep sound is disabled when a key is pressed.

SEEK 1/SEEK 2 mode:(Only available during radio operation)

SEEK 1: Press and hold the >>| or |<< button to seek up or down for a station with a strong signal. The seek stops when a station is reached .

SEEK 2: Press and hold the >>| or |<< button to seek up or down for a station with a strong signal. The seek does not stop until the >>| or |<< button is released.

VOL LAST/VOL ADJ:

VOL LAST: The radio switches on at the actual volume it had when it was last switched off.

VOL ADJ: Rotating the VOL knob you can pre-select a constant switch-on volume after entering into this mode.

ESP 40 seconds/10 seconds:

In ESP mode, you can select 10 seconds or 40 seconds electronic shock protection mode by rotating the VOL knob.

The default setting is at 40 seconds of anti-shock protection.

Using 10 seconds ESP will slightly improve the audio performance, while 40 seconds ESP will be effective when the vehicle is driven on a rough road.

2. COVER of MMC/SD and USB SOCKET

When needing to do MMC/SD or USB operation, open the cover, then insert the MMC/SD card or USB bar into MMC/SD compartment or USB socket.

When no needing to do MMC/SD or USB operation, cover it with the cover after pulling them out of the MMC/SD compartment or the USB socket.

3. LCD (LIQUID CRYSTAL DISPLAY)

4. TUNE, SEEK, TRACK, SKIP UP / DOWN BUTTONS

- 1) In RADIO mode, press >>| or |<< button shortly and repeatedly to manually tune up or down for the desired radio station with step by step. Press >>| or |<< button hold for more than 0.5 seconds to automatically tune up or down for the radio station of strong signal.
- 2) In MMC/SD, USB or DISC mode, press >>| button to play next track. Press |<< button once to play the current track from the beginning of the current track, press |<< button twice continuously to play the last track. Press >>| or |<< button hold to skip forward or backward.

5. AUTO-STORAGE/PRESET MEMORY SCAN BUTTON

- 1) In radio mode, press it to perform all stations memory for 5 seconds each time, while memory digital and frequency will flash on LCD. If the button is pressed for more than 2 seconds, it will seek station on current band, then write to the preset memories. When the auto-storage operation is completed, it will automatically perform for 5 seconds each time. After finishing 1 loop of memory scan, it will listen to the first memory station in the current band.
- 2) In MMC/SD or USB mode, press A.P button repeatedly to select TRACK SEARCH or DIRECTORY SEARCH mode.
In MP3/WMA disc mode, press A.P button repeatedly to select TRACK SEARCH, FIRST CHARACTER SEARCH or DIRECTORY SEARCH mode.
- 3) In TRACK SEARCH mode of MMC/SD, USB or MP3/WMA disc, the LCD will display MP3 T 000 and flash the biggest digit 0 that the MMC/SD card, USB bar or MP3/WMA disc contain. Then rotate the VOL knob to select the number of the flashing digit from 0 ~ 9. Then press SEL button to confirm the number and flash next smaller digit 0. With the same means, select the number of the flashing digit. After finishing selecting the number of all flashing digit, press SEL button to play the track of the selected serial number.
In DIRECTORY SEARCH mode of MMC/SD, USB or MP3/WMA disc, the LCD will display the root folder(if there is not the root folder, it will found a root folder named ROOT). Then rotate the VOL knob to select your desired folder and then press >>| or |<< button to select your desired track in the folder. Finally press SEL button to play the selected track.
In FIRST CHARACTER SEARCH mode of MP3/WMA disc, the LCD will display A--....., If there are files names its first character are A , theis the first file name its first character is A by the order of A~Z and 0~9; otherwise, theis NONE. Rotate the VOL knob to select file s first character by the order of A~Z and 0~9. Then press >>| or |<< button to select one file its first characters is the selected one. Finally press SEL button to play the selected file.

6. BAND BUTTON

Press it repeatedly to select your desired radio band during RADIO mode. In MMC/SD, USB or MP3/WMA disc mode, if you press BAND button repeatedly, the file name, folder name, song's title, artist and album information will be scrolling on the LCD display.

As long as the current playing MP3/WMA music contains relevant Id3 tag information in version 1.0/2.0 format, the 3 items underlined above will be scrolling on the LCD display; otherwise, they will not.

In CD/MP3/WMA format-mixed disc playback mode, long press BND button, it will change from CD mode to MP3/WMA mode(the defaulted mode is CD).

7. LOUDNESS BUTTON

When press shortly, the LOUD mode is turned on, its to enhance the bass sound effect when the volume level is low. Press again to cancel the loudness effect.

8. LOCAL/DISTANCE BUTTON

Radio station search mode is divided by this LOC/DX switch, this button can be used to control an attenuator in the tuner during search. The detecting level of seek, scan, auto-memory will be reduced as much as the attenuated level of the tuner. In radio mode, press the LOC button to change local reception or distance reception. Note: This button is only for FM reception. In AM mode, LOC is void.

9. POWER BUTTON

Press any button except the EJECT and RELEASE button to turn on the unit. It also can turn on the unit to insert disc, MMC/SD card or USB bar into their compartment or socket. Press PWR button hold for more than 0.5 seconds to turn off the unit.

10. STEREO/MONO BUTTON

Press the button to select STEREO or MONO sound mode.

11. MUTE BUTTON

This button serves to switch the MUTED state on/off.

Press the MUTE button to suppress the loudspeaker temporarily, and press again to resume listening. The muted state will be also released when the MODE, BAND, SEL button is pressed and VOL knob on the front panel is used.

12. PRESET STATION [1-6] AND TOP/CDP, INT, RPT, RDM BUTTONS

A) RADIO MODE

When pressed short, these keys select a preset station directly,

When pressed longer than one seconds, current station is stored in preset memory bank.

B) In MMC/SD, USB or disc mode, press TOP/CDP button to pause MMC/SD, USB or disc playback, press it again to resume MMC/SD, USB or disc playback. Press it hold for more than about 0.5 seconds to play the first track of the MMC/SD, USB or disc.

- C) In MMC/SD, USB mode, press INT button shortly to display M-INT and play the first 10 seconds part of each track of all.
 In CD/MP3/WMA disc mode, press INT button shortly to display S-INT and play the first 10 seconds part of each track of all.
 In MMC/SD, USB or MP3/WMA disc mode, Press INT button long to display D-INT and play the first 10 seconds part of each in current folder.
 During INT mode, press INT button again to stop INT mode and retain playing the track currently selected.
- D) In MMC/SD, USB mode, press RPT button shortly to display M-RPT and play the current track repeatedly.
 In CD/MP3/WMA disc mode, press RPT button shortly to display S-RPT and play the current track repeatedly.
 In MMC/SD, USB or MP3/WMA disc mode, Press RPT button long to display D-RPT and play the current folder repeatedly.
 During RPT mode, Press RPT button again to cancel RPT mode.
- E) In MMC/SD, USB mode, press RDM button shortly to display M-RDM and play the track of all in random order.
 In CD/MP3/WMA disc mode, press RDM button shortly to display S-RDM and play the track of all in random order.
 In MMC/SD, USB or MP3/WMA disc mode, Press RDM button long to display D-RDM play the track in the current folder in random order.
 During RDM mode, Press RDM button again to cancel RDM mode.
- F) In MMC/SD, USB or MP3/WMA disc mode, M6 and M5 is assigned as 10 TRACK up/down when normal play.

13. MODE BUTTON

Press it to select RADIO, DISC, CARD(after inserting MMC/SD card), USB(after inserting USB bar) mode.

14&15. MMC/SD COMPARTMENT and USB SOCKET and their operation

When needing to do MMC/SD or USB playing, insert the MMC/SD card or USB bar into MMC/SD compartment or USB socket. Then the playing mode will be changed into MMC/SD or USB mode and display CARD or USB on LCD(When MMC/SD card and USB bar are both inserted into their compartment or socket, the playing mode will be changed into the mode of the latter one), and then play the first track of MMC/SD or USB.

16. RELEASE BUTTON

Press it to release the front panel from the unit chassis. Then remove away the front panel from the player. And then you can press the RESET button to resume the distorted program when the LCD displays wrongly or the buttons are not available.

17. INFRARED REMOTE CONTROL SENSOR

18. EJECT BUTTON

Press this key, a loaded disc can be to ejected.

19. CLOCK BUTTON

Press the CLK button briefly to display time for 5 seconds on the display, and then returns to its previous display unless the button is pressed again.

Then press the CLK button and hold for more than 1 seconds until the real time flashes on the display. Then you can adjust HOUR or MINUTE by rotating the VOL knob.

20. SCAN BUTTON

Press it to scan up by one channel step with station detection. If a valid signal has detected, the current frequency is blinked within 5 seconds, then press it again to stop scan and remain the current frequency; otherwise, the unit continue to scan up by one channel step with station detection 5 seconds later.

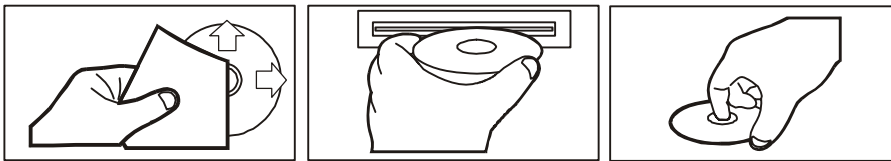
21. RESET BUTTON

Before operating the unit for the first time, or after replacing the car battery or changing the connections. You must reset the unit.

Press this button with a cuspidal object. This operation will erase the clock setting and some stored contents.

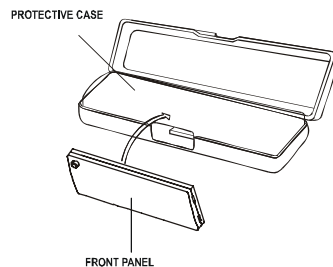
DISC MAINTENANCE:

1. Before playing, clean the disc with a clean, lint-free cloth.
Wipe the disc in the direction of the arrow.
Do not use solvents such as benzine, thinners. Commercially available cleaners or anti static spray will damage the unit.
2. Do not insert a disc with the label surface down. Doing so may damage the unit.
Do not try to insert another disc when one has been already inserted.
Doing so may damage the unit.
3. Handle the disc by its edge. And to keep the disc clean, do not touch the surface.
Do not stick paper or tape on the disc.
Do not expose the disc to direct sunlight or heat sources such as hot air vents.
Or leave it in a car parked in direct sunlight where there can be a considerable rise in temperature.



PRECAUTIONS AND MAINTENANCE

1. If the car interior is extremely hot, as after being parked in the sun, do not use the player until the car has been driven for a while to cool off the interior.
2. The protective case is to safely keep the front panel.



3. The unit is designed for negative terminal of the battery which is connected to the vehicle metal. Please confirm it before installation.
4. Do not allow the speaker wires to be shorted together when the unit is switched on. Otherwise it may overload or burn out the power amplifier.
5. Do not install the detachable panel before connecting the wire.

MAINTENANCE OF REMOTE CONTROLLER

Before using the remote control, pull out the insulating patch. This patch was installed to insulate the battery from draining until ready to use.

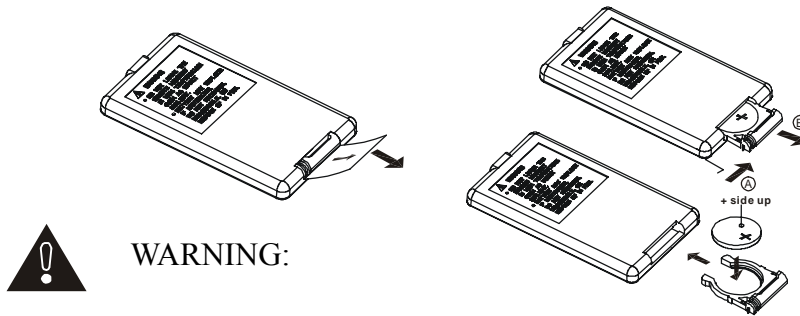
BATTERY INFORMATION:

Lithium Battery: CR2025 3V

Battery Life: Approximately 6 months.

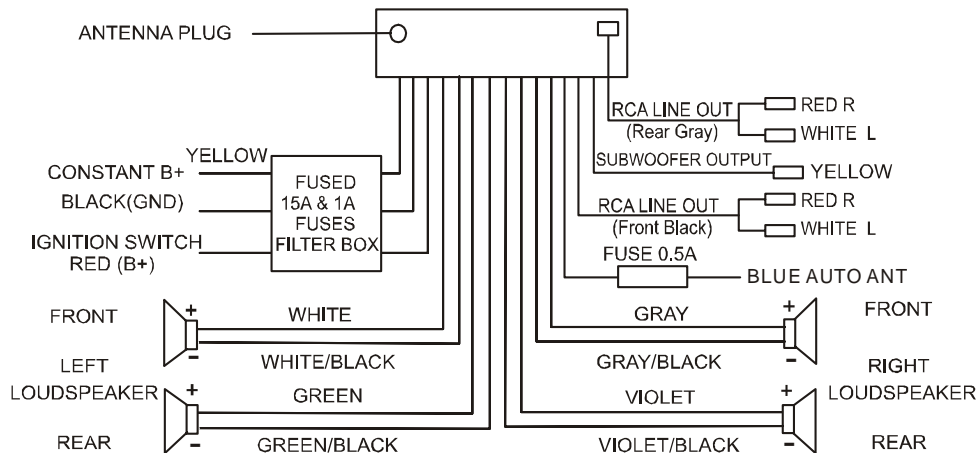
Replacing the Battery from the Remote Controller:

- 1) Remove the battery holder by pressing the locking tab with your thumb and pulling it out.
- 2) Replace the battery with the same type and the “+” side facing up.
- 3) Gently push in the holder until securely locked into place.



- Do not recharge, disassemble or dispose of in fire.
- Battery leakage may cause damage to the unit.
- To avoid the risk of accident, keep batteries out of reach of children.

WIRING DIAGRAM



Note:

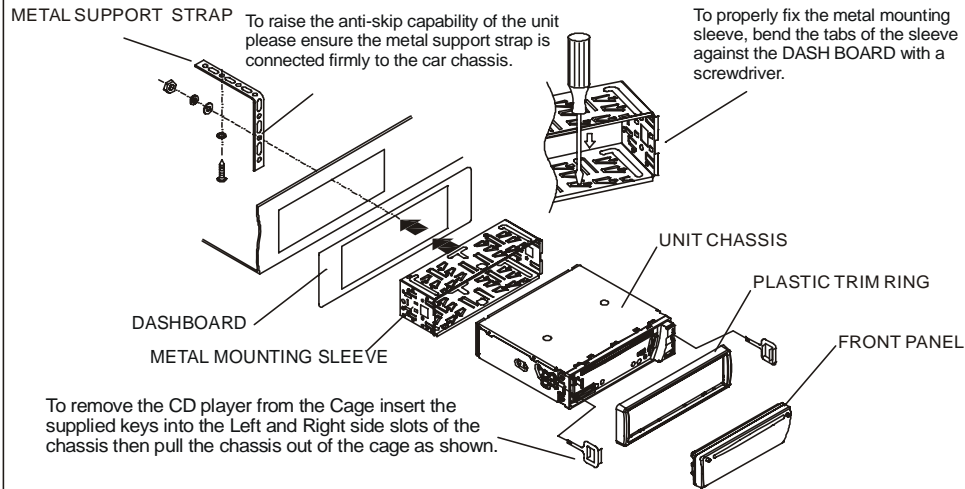
1. Make sure use a speaker with 4 ohm load impedance.
2. Do not make the auto antenna wire and ground touch each other.

INSTALLATION METHOD

This is an anti-theft installation method.

The main unit wears a METAL MOUNTING SLEEVE.

Please connect the wiring, eg, the Power Supply, the Speakers and the Antenna according to the requirements of this Instruction Manual, then install the metal mounting sleeve into the car as per the diagram illustrated below.

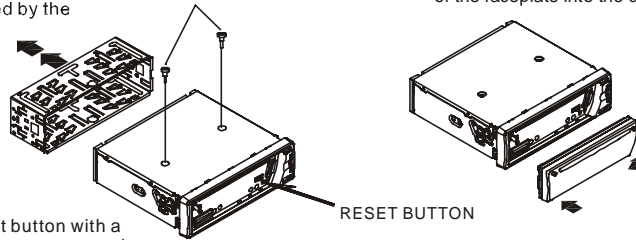


NOTE

Before mounting and operating the CD player, remove the metal mounting sleeve illustrated by the arrows.

Remove the two screws that protect the CD player during transportation before operating the player.

To attach the removable faceplate, insert the right side of the faceplate into the left of the CD player chassis first. Then push the left side of the faceplate into the chassis until.



Push this reset button with a cuspidal object to renovate the distorted program once the program is distorted.

NOTE:
When needing to insert MMC/SD card into the MMC/SD card compartment or to insert USB bar into the USB socket, pull the plastic cover rightward away from the player and then store it for safety. When no needing to do MMC/SD or USB operation, please make the plastic cover match its right position in the front panel and then push it from right to left till get to the right position of the front panel.

To remove the front panel from the unit chassis, press the REL key to release the front panel from the unit chassis, then pull it up a little to take out from the unit chassis.

TROUBLE SHOOTING

Before using the check list please make all the connections first.

If you still have questions after going through the checklist, please consult your local customer service representative.

Common Symptoms	Cause	Solution
There is no power.	The car ignition is switched off.	If the power supply is properly connected to the car accessory, switch the ignition key to " ON " or " ACC " .
	The fuse has blown.	Replace the fuse according to the wiring diagram.
CD will not load	Another CD is already in the player	Remove the disc before inserting the new one.
The CDs are loaded only halfway into the CD tray.	The transport screws have not been removed.	Remove the transport screws before using.
The device does not work correctly (EJECT, LOAD, PLAY)	Inserting the disc in upside down	Insert the compact disc with the label facing upward
	The surface of CD is extremely dirty or it is damaged.	Clean the CD or try another CD, if this works correctly, the first CD is probably damaged.
	Temperature inside the car is too high.	Run the Air Cond etc until the ambient temperature returns to normal
There is no sound.	The volume control is set too low.	Turn up the volume properly.
	The device has not been correctly connected.	Check the power and earth connection according to the wiring diagram.
The operation keys do not work	1.The built-in microcomputer is not operating properly due to noise 2.Front panel is not properly installed.	1. Switch the device off and on again. Or press the RESET button to resume the program. 2. Reinstall the front panel
The sound of the CD player skips	The installation angle is more than 30 degrees	Adjust the installation angle to less than 30 degrees
	The surface of the road is very rough/ uneven.	Wait until the road becomes smoother before playing the CD.
	The surface of CD is extremely dirty or it is damaged.	Clean the CD or try another CD, if this works correctly, the first CD is probably damaged.
No radio reception.	The antenna cable is not connected.	Insert the antenna cable firmly into the antenna socket of the device.
In automatic search mode the radio does not stop at a transmitting station.	The transmission signals are too weak.	Tune in to a radio station manually.

SPECIFICATION

GENERAL	
Supply Voltage	DC 14.4V. Negative Ground
Current Consumption	Max.15A
Power Output	40Watts X 4ch.
Number of channels	2 STEREO channels.
Unit Dimensions	178[W] X 164[D] X 50[H] mm.
FM SECTION	
Frequency range	87.5MHz -107.9MHz
Effective sensitivity	3uV.
I.F Frequency	10.7MHz.
AM SECTION	
Frequency range	530KHz - 1710KHz
Effective sensitivity	40dB.
I.F Frequency	450KHz
RCA LINE OUT (OPTION)	
Output	1200mV @ CD MAX.
CD PLAYER	
System	MP3 Audio System.
Suitable CDs	MP3, WMA, CD, CD-R, CD-RW Disc
Frequency characteristics	20Hz-100Hz ≤ 5dB
	10KHz-20KHz ≤ 5dB.
S/N Ratio to CD	50dB [1KHz]

Free Manuals Download Website

<http://myh66.com>

<http://usermanuals.us>

<http://www.somanuals.com>

<http://www.4manuals.cc>

<http://www.manual-lib.com>

<http://www.404manual.com>

<http://www.luxmanual.com>

<http://aubethermostatmanual.com>

Golf course search by state

<http://golfingnear.com>

Email search by domain

<http://emailbydomain.com>

Auto manuals search

<http://auto.somanuals.com>

TV manuals search

<http://tv.somanuals.com>