



8" TFT Color Display Flip Down Monitor



INSTRUCTION MANUAL



TABLE OF CONTENTS

Thanks from Nextar	2
Important Caution	2
Adjusting Light on LCD	
Understanding the LCD	3
Control LCD	
About The Screen of LCD	
LCD Protection	
Wiring Diagram	5
Installation	6
Describing the units buttons	7
Remote Control	7
Function Description	8
Changing the Battery	
Caution	
Operation Of LCD	9
Turn On/ Off Buttons	
Function Setup Buttons	
Key Of Reading Light	
Specifications	10



APPRECIATION

Thank you for purchasing Nextar 4:3 TFT-LCD ceiling monitor. Please read this Manual thoroughly, and retain this document for future reference.

IMPORTANT CAUTION

1. Please take note and use all caution terms of this manual.
2. Please do not permit anyone to operate this machine before he/she has reads or knows how the unit operates.
3. Please do not put the LCD in the positions below:
 - A. Any position blocking the sight of the driver.
 - B. Any position which may harm the operation or safety system of the vehicle, including the air chamber.
 - C. Any position which may affect the driver to safely operate the vehicle.
4. To ensure safe driving please keep the volume at a suitable level for your vehicle.
5. Same as any other equipment in your car, you must pay complete attention to your driving and not your LCD. In the event of your LCD having trouble please stop at a safe location to make the necessary adjustments.
6. Do not equip or attempt to repair the LCD yourself. It is very dangerous for you to personally repair this unit if you are not familiar with the internal components.
7. Avoid water or any moisture in order to protect the machine.

UNDERSTANDING THE LCD



Warning

- Please cut off the power right away and go to your local authorized repair service when water or other objects or liquids enter into the machine. If you do not cut the power immediately this may lead to electric shock and/or fire.
- Please cut off the power right away and go to your local authorized repair service if smoke or a peculiar burning smell occurs. Failing to do so will lead to system errors.
- Please do not remove the back cover of the LCD. If exposed it is important to know you are at risk of being electrically shocked. Always inquire at your local authorized repair service to perform any inspection, adjustment, and repairs.

Adjusting Light on the LCD

Be advised the adjustment for angles and a clear LCD maybe limited by design. You can adjust for a clearer picture by adjusting the lightness of the screen. When you first use this machine please adjust the LCD for viewing in the furthest position.

Control LCD

- The temperature of the LCD may become high if exposed to direct sunlight for long periods of time, resulting in damages to the unit. Please put the machine in safe keep while not using.
- LCD should work with in the following temperatures:
Working temperature area from 32 degrees F (0 Celsius) to 140° F (60° Celsius)
If above or below the temperatures listed the LCD may not function properly.
- Do not touch the LCD, as it may become dirty or damaged.
- Please note that putting anything between the LCD and its docking station will prevent the unit from functioning properly.



About the Screen of LCD

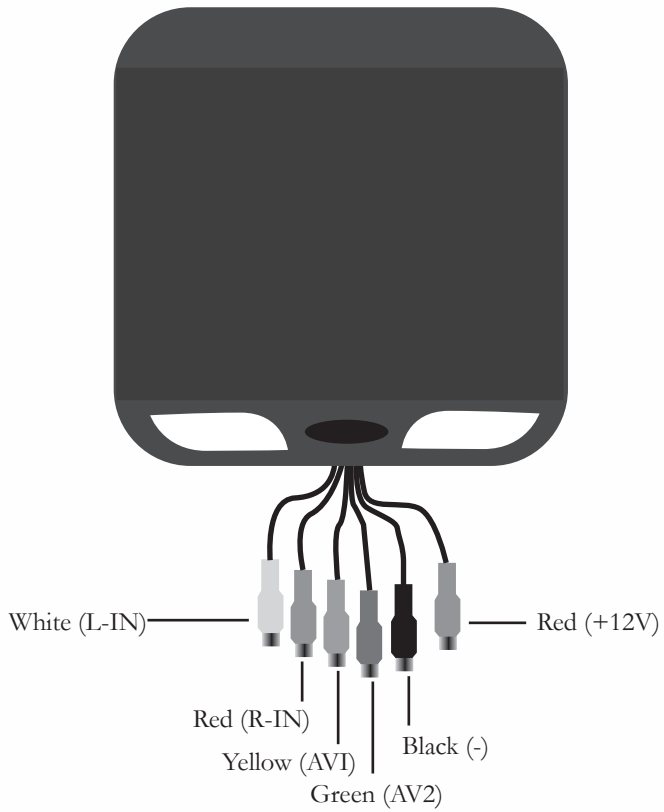
- Please avoid any direct air from the AC/Heater to the LCD, cool and warm air from AC will affect the inside groupware and wiring which may cause damage. If any of this occurs your screen will become dark or decrease the working life of your screen.
- There maybe some little black or white dots, which is the characteristics of LCD screens, this does not mean something is wrong with your unit.
- In low temperature environments, the screen of the LCD maybe dark momentarily when you first power on.
- The picture of the LCD will be unclear if directly exposed to sunlight.

LCD Protection

- Please cut the power off before cleaning the LCD screen.
- Please use a soft cloth or proprietary cloth of LCD to clean the screen, use carefully to avoid damage. Do not use any rough cloth or causticity liquids to clean this unit.

ITEM# MD1008

WIRING DIAGRAM



ITEM# MD1008

INSTALLATION

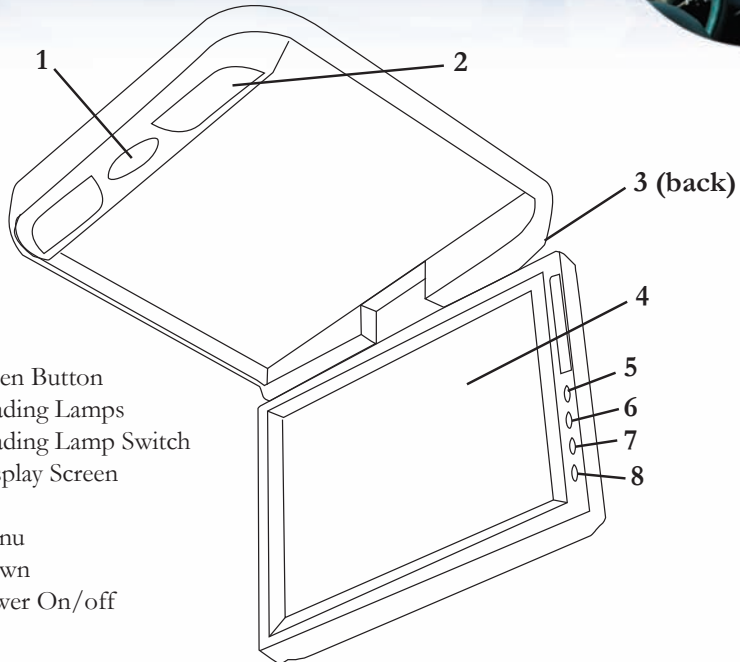
Notice:

Please use the components accompanied with this product. Using parts produced by other factories may cause problems. If holes need to be made during installation or any other modifications in the car, always inquire with a professional installer.

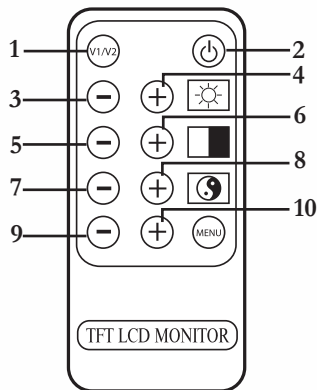
Please install this product in a position where the driver is completely unaffected from any distraction. Please install this unit in a position where passengers are not affected by sudden stops.

The product may be altered at any time to improve the specifications and design without any notification.

DESCRIBING THE UNITS BUTTONS

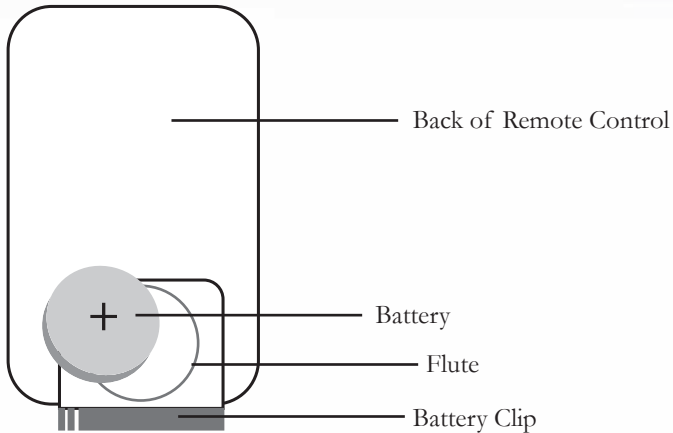


- 1. Open Button
- 2. Reading Lamps
- 3. Reading Lamp Switch
- 4. Display Screen
- 5. Up
- 6. Menu
- 7. Down
- 8. Power On/off



- 1. AV1/AV2 turning
- 2. Power on/off
- 3. Brightness Control -
- 4. Brightness Control +
- 5. Contrast Control -
- 6. Contrast Control +
- 7. Color Control -
- 8. Color Control +
- 9. Menu control -
- 10. Menu control +

HOW TO CHANGE THE BATTERY



1. Take off battery clip, and draw out battery by the flute.
2. Put new battery in flute with (+) face up.
3. Put battery clip back into the remote.

Caution:

1. Improper installation may heat the battery up causing it to burn out or explode.
2. If the battery leaks this may destroy the functions of the Remote Control.
3. Do not open remote control as it may short circuit. Keep away from fire or extreme temperatures.
4. Danger! Do not allow children to play with the battery.

OPERATION OF LCD



Note:

Before using, please be sure Audio and Video RCA's are connected, yellow plug connects with the video signal 1, and green plug connects with video signal 2, white plug link with left audio channel, red plug link with right audio channel.

1. Press "Open" to release the LCD; adjust the viewing angle by pushing it back.
2. Press the Power button to turn the LCD on or off, when the LCD is off the bottom is blue, if on the buttons will illuminate.
3. Press "menu" at the bottom and work with these buttons to adjust the screen brightness, saturation, contrast, tint, sharpness, OSD H-Position, original factory settings, OSD level position, OSD vertical position, OSD waiting time, self-searching channel (TV mode) and exit menu.
4. V1/V2 bottom can exchange the Video 1 and Video 2.
5. Infrared wireless headphones
 - The receiving area of the headphones is 8m and 45 degree angle.
 - Before using the head phone, please be sure they are powered on.
Make sure the volume is not loud or it will cause damage to hearing.
6. The reading lamp switch is located at the bottom and can be powered on or off from there.

ITEM# MD1008

SPECIFICATIONS



Display system:	8 inches (20.5cm) TFT LCD color super clean picture screen display
Pixel of Display:	280000pixel (600x480xRGB)
Definition:	864000 dots
Screen Size:	4:3
Display Region	163.5(W) x 122(H)mm
Shadow Light	Operate properly can last for 10000 hours
Machine Construction:	Manual ON-OFF system
Working power:	DC12V
Consumption:	1000mA (usual)
Working Temperature:	0-60°
Weight:	1.8kg
Size:	215(W) *215(D)*28(H) mm

Free Manuals Download Website

<http://myh66.com>

<http://usermanuals.us>

<http://www.somanuals.com>

<http://www.4manuals.cc>

<http://www.manual-lib.com>

<http://www.404manual.com>

<http://www.luxmanual.com>

<http://aubethermostatmanual.com>

Golf course search by state

<http://golfingnear.com>

Email search by domain

<http://emailbydomain.com>

Auto manuals search

<http://auto.somanuals.com>

TV manuals search

<http://tv.somanuals.com>