

nextar 

7 INCH DIGITAL PHOTO FRAME

See Things Differently™



User Manual
N7-202

Note

It may cause damage **to** the SD card/USB device and the unit when any memory card or USB device is inserted or removed without turning off the unit.

Safety precaution

- 1) Use only the supplied adaptor with Input 100-240V, Output 5V.
- 2) Turn off power before cleaning. Use only a soft cloth to clean the unit
Do not use liquid cleaners.
- 3) Avoid exposing the unit to extreme heat.
- 4) Do not disassemble the Digital **Photo** Frame, otherwise it may result in electric shock and void your warranty.

Content

Note	1
Safety precaution	1
Content	2
Introduction	3
1、 Features.....	3
2、 Packaging Check List	4
3、 Specifications.....	4
Product Diagram	5
A. Top View	5
B. Front View.....	5
C. Rear View	6
D. Side View.....	6
Changing the Front Panel	7
Using Your Digital Photo Frame	8
Viewing Modes	8
File Saving.....	8
Technical Notes	9
Question/Troubleshooting Guide	9

Introduction

Your new Digital **Photo** Frame lets you view digital pictures from memory cards easily and quickly.

No computer or printer is needed

Includes convenient slide show mode, which starts automatically when the Frame is turned on.

Supports many popular memory card types.

Easy to take with you to share photos with family and friends anywhere.

A step beyond the traditional photo frame. View tens or even hundreds of digital photos without the need to pay for printing.

1、 Features

7 inch TFT LCD

Supports Secure Digital (SD), Multimedia Card (MMC), Memory Stick (MS) memory card formats **and USB JUMP DRIVE**

View the pictures from memory cards directly

Resolution: 480X234 pixels

Supports high-resolution photos

Automatic start of slide show

2、Packaging Check List

Digital **Photo** Frame

Changeable Front Panel (X2)

User Manual

Quick Start Guide

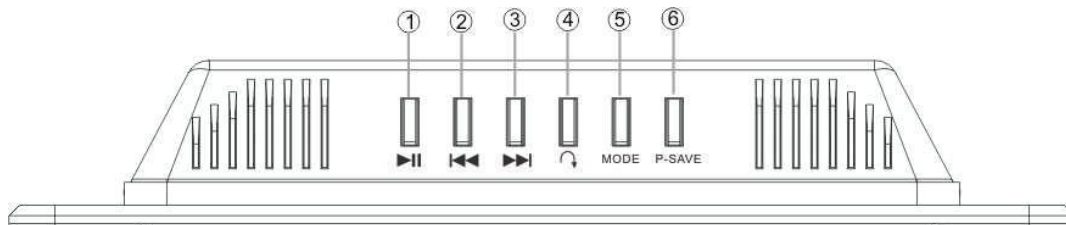
AC Adaptor

3、Specifications

Panel Size	7 inches
Resolution	480X234
Brightness	200 CD/M ²
Contrast	300
View Angle (U/D/L/R) (CR ≥ 10)	40/60/60/60
Response Time	15ms Ton
Screen Size Mode	16:9
File Format Type	JPEG
Max.Photo Size	10 mega pixels
Power Requirement	5V DC
Power Consumption	<10 W
Operating Temperature	14~158°F (-10~70°C)
Storage Temperature	-4~176°F (-20~80°C)

Product Diagram

A. Top View



1. **▶|| Button**

Pause or resume the playback.

2. **◀◀ Button**

Go to the previous picture.

3. **▶▶ Button**

Go to the next picture.

4. **Rotate Button**

Rotate the current picture.

5. **MODE Button**

Change the display mode

between Pan Scan, Fill, Original and Auto Fit.

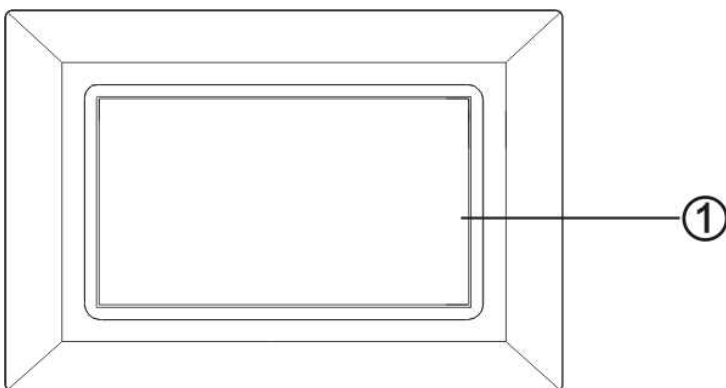
Change the aspect ratio among 16:9 and 4:3. (Press and hold for a moment).

6. **P-SAVE Button**

Enter the power save mode.

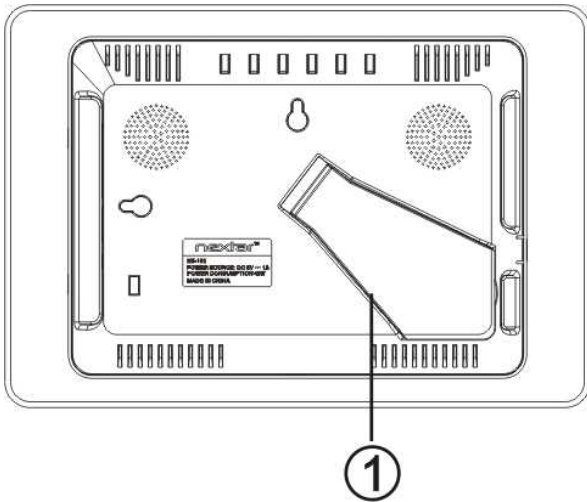
Then press it again to exit the power save mode.

B. Front View



1. **LCD Screen**

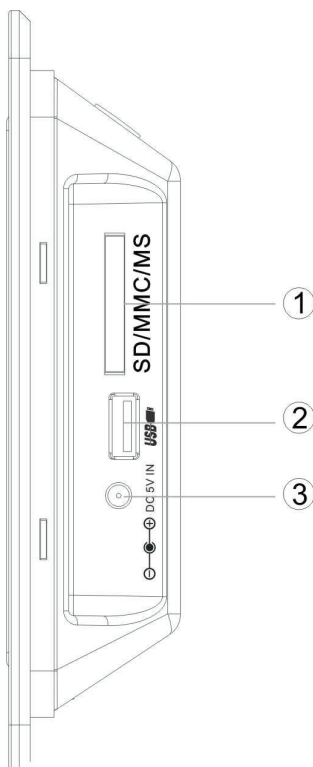
C. Rear View



1. Stand

Support the Digital **Photo** Frame.

D. Side View



1. SD/MS /MMC Card Port

Insert SD/MS/MMC card into this port.

Or pull out the SD/MMC/MS card from the port.

2. USB Port

Connect USB device, such as USB flash disk.

3. DC 5V IN

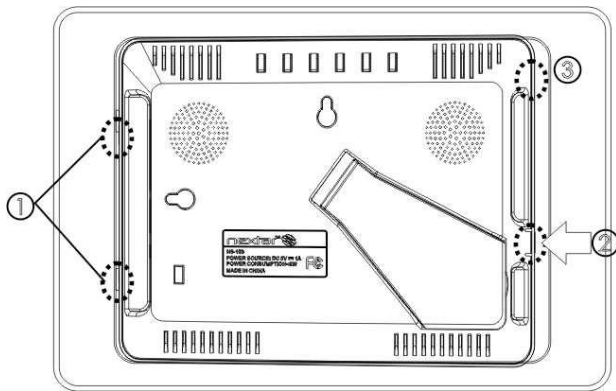
Connect the supplied adaptor.

Changing the Front Panel

You can change the front panel of the Digital **Photo** Frame into one of the two different colors supplied: **Black and Silver**.

Attach the Frontal Panel

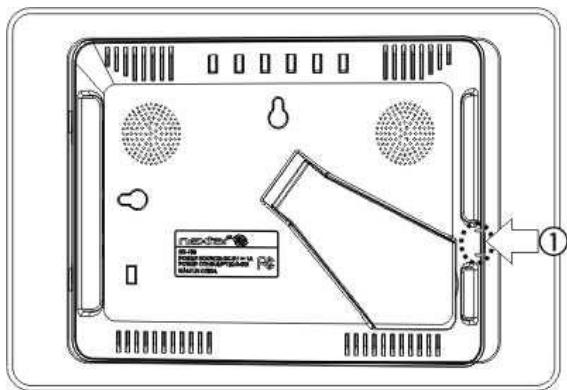
1. Slide the left fasteners of the Digital **Photo** Frame into the left slots of the Front Panel as shown on ①.



2. Push the right fastener of the Digital **Photo** Frame toward the arrow ② into the front panel.

3. Then press the position ③ of the Digital **Photo** Frame towards the Front Panel to fix them.

Detach the Frontal Panel



1. Press the right fastener of the Digital **Photo** Frame toward the arrow ①.

2. Then pull the Digital **Photo** Frame out of the Front Panel.

NOTE: Change the Front Panel carefully to avoid damages.

Using Your Digital **Photo** Frame

Install the stand for tabletop display. Connect the AC adaptor.

Insert a memory card in the Digital **Photo** Frame (with the card's electrical contacts towards the front of the unit.). A slide show will begin automatically.

To enter the power save, press the P-SAVE button.

Press the **▶||** button, the word Pause will appear on the screen briefly and the slide show will be stopped. The current photo will remain on the screen until the button is pressed again, at which time the slide show will resume.

To display the previous or next picture, press the **◀▶** button.

The Rotate button allows photos to be turned proper viewing. Press repeatedly to rotate the current picture clockwise:

90° **→** 180° **→** 270°.

Viewing Modes

Press the MODE button to select display mode: Pan Scan, Fill, Original and Auto Fit. Press the MODE button and hold for a moment to change the aspect ratio between 16:9 and 4:3.

File Saving

Photos must be saved in the JPEG format in order to be viewed on the Digital **Photo** Frame. Nearly all digital cameras will save in this format by default. Photos that have been saved with certain image editing programs can fail to display properly.

Technical Notes

1. Your Digital **Photo** Frame is a sophisticated electronic device. Do not drop or subject the unit to jarring or strong vibrations.
2. Avoid placing the Digital **Photo** Frame in areas of high humidity or where it might be subjected to splashing.
3. The panel is made of plastic and can be easily damaged. Avoid sharp objects.
4. Use only a soft dry cloth to clean the screen.

Question/Troubleshooting Guide

This chapter presents some troubleshooting problems you may encounter while using the device. Even if the following guide fails to solve your problem, please do not disassemble the device, but leave the problems to professional staff.

1.Question: What kind of photos does this device's supports?

Answer: The Frame will display digital photos that are stored in the JPEG format which is the standard format for nearly all digital cameras. Some cameras allow images to be stored as TIFF or with the Frame.

RAW files as well as JPEG. Only the JPEG format is compatible

2.Question: What should I do if the system does not respond when the power is turned on?

Answer: Make sure the unit is properly connected to a power source. Then turn it off, reconnect the power and turn it on again.

3.Question: Why is the memory card not recognized?

Answer: The memory card might be inserted rearwards or is not pushed in far enough. After inserting the memory card in the right direction, if the card still cannot be read, please turn off the unit and then power it again.

This device complies with part 15 of the FCC Rules. Operation is subject to the following two conditions:

- (1) This device may not cause harmful interference.
- (2) This device must accept any interference received, including interference that may cause undesired operation.

Note: This equipment has been tested and found to comply with limits for Class B digital device, pursuant to part 15 of the FCC Rules. These limits are designed to provide reasonable protection against harmful interference in a residential installation. This equipment generates, uses and can radiate radio frequency energy and, if not installed and used in accordance with the instructions, may cause harmful interference to radio or television reception, which can be determined by turning the equipment off and on, the user is encouraged to try to correct the interference by one or more of the following measures:

1. Reorient or relocate the receiving antenna.
2. Increase the separation between the equipment and the receiver.
Connect the equipment into an outlet on a circuit different from that to which the receiver is connected.
3. Consult the dealer or an experience radio/TV technician for help.

Nextar™ a trademark of Nextar (Hong Kong) Limited

Nextar may find it necessary to modify, amend or otherwise change or update this manual.

We may reserve the right to do this at any time, without any prior notice.

All specifications and features are subject to change without notice.

www.nextar.com

Or write us at:

Nextar Inc.

1661 Fairplex Dr.

La Verne, CA91750

USA

Free Manuals Download Website

<http://myh66.com>

<http://usermanuals.us>

<http://www.somanuals.com>

<http://www.4manuals.cc>

<http://www.manual-lib.com>

<http://www.404manual.com>

<http://www.luxmanual.com>

<http://aubethermostatmanual.com>

Golf course search by state

<http://golfingnear.com>

Email search by domain

<http://emailbydomain.com>

Auto manuals search

<http://auto.somanuals.com>

TV manuals search

<http://tv.somanuals.com>