

Nikon Riflescope Monarch Gold (E)

2.5-10x50 SF

2.5-10x50 SF Dual Illuminated Reticle

2.5-10x56 SF

2.5-10x56 Dual Illuminated Reticle

1.5-6x42

1.1-4x24 Dual Illuminated Reticle

Instruction manual

Congratulations on your choice of a Nikon RIFLESCOPE. Your new scope is the finest example of Nikon's rugged and durable construction and precision bright optics; important qualities for a serious shooter's riflescope.

Whether you use your scope for hunting or for target shooting, the procedure for mounting is identical. You should acquire a set of high quality steel mounting rings which have a standard diameter of 30 mm. Follow the ring manufacturer's instructions for mounting procedures. After mounting the scope on your rifle, follow the procedures for reticle alignment.

Caution

(1) Do not look at the sun through the riflescope. It will permanently damage your eye. This precaution applies to all optical devices such as cameras and binoculars.

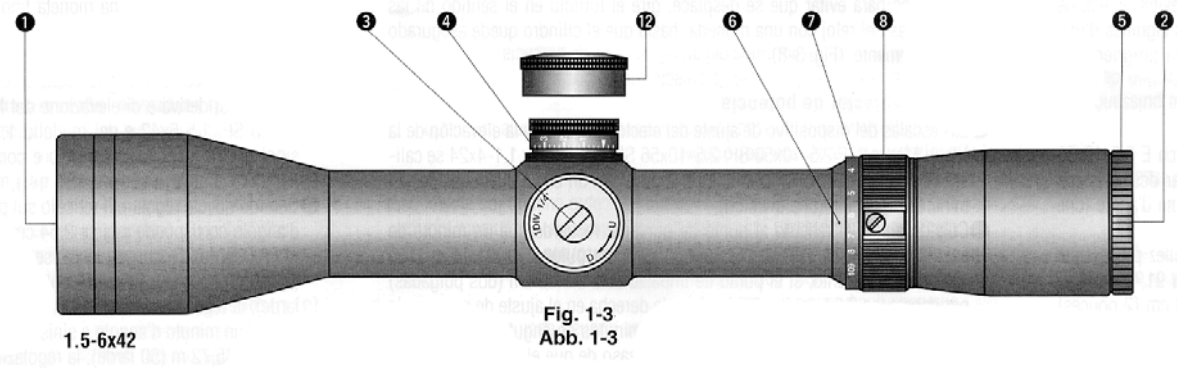
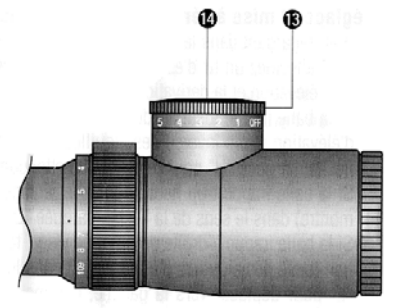
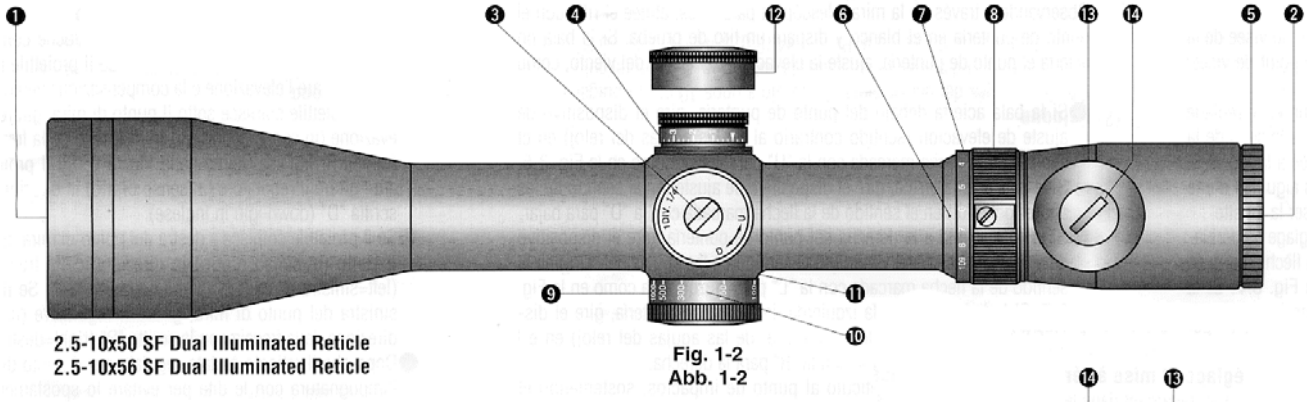
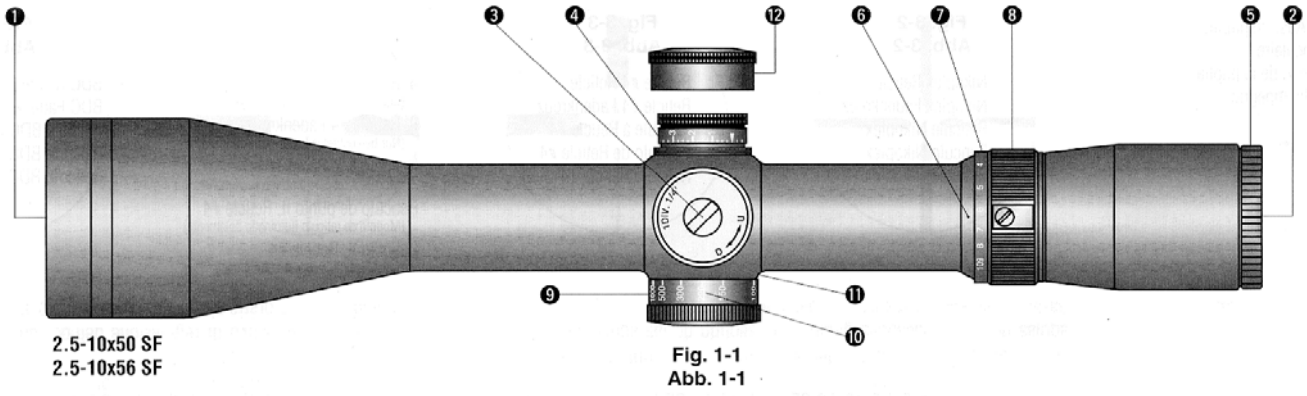
(2) The riflescope is effectively sealed against moisture and dust. You may use your scope safely either in the rain or in dusty climates. To preserve the appearance of the scope, we suggest that it be dried and cleaned prior to storage. Use a soft cloth for cleaning metal surfaces and use photographic lens tissue to clean the scope's lenses.

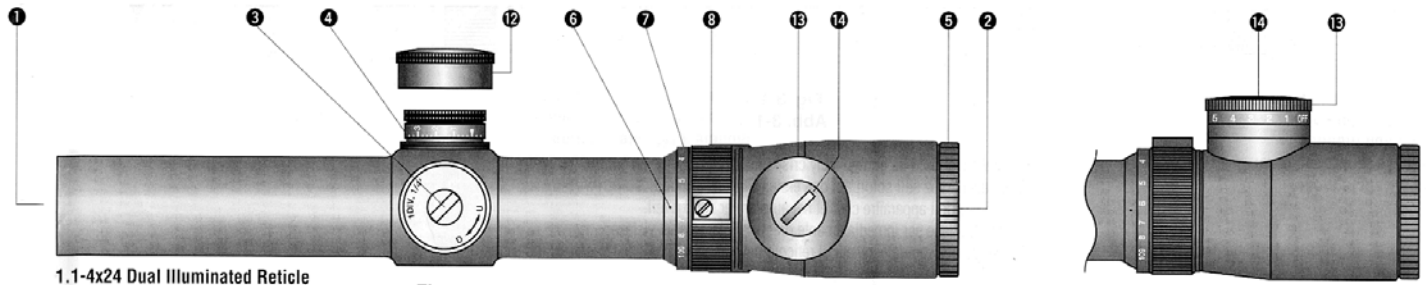
When setting the reticle for hunting, you should determine your standard range and then adjust the reticle based upon that target distance. For targets which vary from that standard distance you may simply adjust the position of the reticle in relation to your target, or you may wish to use the procedure for trajectory compensation. It's up to your personal preference.

We hope that you will enjoy your new Nikon RIFLESCOPE for many years to come. Enjoy using it, and above all, always follow safe shooting procedures!

1. Nomenclature

- 1) Objective Lens
- 2) Eyepiece Lens
- 3) Elevation Adjustment
- 4) Windage Adjustment
- 5) Eyepiece Adjustment
- 6) Power Index Dot
- 7) Power Scale
- 8) Power Selector Ring
- 9) Side Focus Adjustment Ring
- 10) Side Focus Distance Scale
- 11) Distance Scale Index
- 12) Adjustment Cap
- 13) Rheostat Intensity Dial
- 14) Battery Compartment Cover





1.1-4x24 Dual Illuminated Reticle

Fig. 1-4
Abb. 1-4

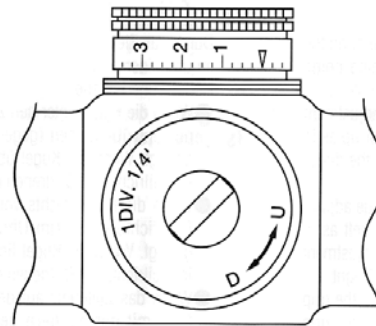


Fig. 1-5
Abb. 1-5

Magnified Figure of Hand turn Grip
 Vergrößerte Darstellung des Handdrehgriffs
 Schéma agrandi de la poignée à rotation manuelle
 Ilustración ampliada del cilindro de ajuste manual
 Figura ingrandita dell'impugnatura a rotazione manuale

ITEM SUPPLIED

- Body 1pc.
- Eyepiece cap 1pair
- Objective cap
- Battery (3V Lithium battery : CR2032) 1pc.
- (Dual illuminated Reticle model only)

2. Specifications

Model		1.5-6x42	2.5-10x50 SF	2.5-10x56 SF	1.1-4x24 Dual Illuminated Reticle	2.5-10x50 SF Dual Illuminated Reticle	2.5-10x56 SF Dual Illuminated Reticle
Actual Magnification		1.55-5.82	2.58-9.7	2.59-9.75	1.1-4x	2.58-9.7	2.59-9.75
Objective Diameter	(mm)	42	50	56	24	50	56
	(in)	1.65	1.97	2.20	0.94	1.97	2.20
Exit Pupil	(mm)	7.2	5.2	5.7	6.0	5.2	5.7
	(in)	0.28	0.20	0.22	0.24	0.20	0.22
Eye Relief	(mm)	104-102	102-101	102	94-94	102-101	102
	(in)	4.09-4.02	4.02-3.98	4.02	3.7-3.7	4.02-3.98	4.02
Battery		—	—	—	3-Volts Lithium CR2032		
Reticle Intensity Adjustment	—	—	—	6 position (OFF to 5) for Green color and Red color			
Field of View at 110yds.	(m)	19.7-5.27	11.83-3.20	11.83-3.20	32.93-8.93	11.83-3.20	11.83-3.20
	(ft)	64.7-17.3	38.8-10.5	38.8-10.5	108-29.3	38.8-10.5	38.8-10.5
Tube Diameter	(mm)	30	30	30	30	30	30
	(in)	1.18	1.18	1.18	1.18	1.18	1.18
Objective Tube Dia.	(mm)	50	58	65	30	58	65
	(in)	1.97	2.28	2.56	1.18	2.28	2.56
Length	(mm)	290	330	350	267	330	350
	(in)	11.42	12.99	13.78	10.51	12.99	13.78
Weight	(g)	490	600	670	480	660	720
	(oz)	17.3	21.2	23.6	16.9	23.3	25.4
Adjustment Graduation*		1/4:1 click	1/4:1 click	1/4:1 click	1/4:1 click	1/4:1 click	1/4:1 click (moa)
Maximum Internal* Adjustment (Elevation & Windage)	(moa)	120	80	80	80	80	80
Parallax Settings **	(m)	91.44	at least 45.72-∞	at least 45.72-∞	91.44	at least 45.72-00	at least 45.72-00
	(yards)	100	at least 50-∞	at least 50-∞	100	at least 50-∞	at least 50-∞
Outside Diameter of Eyepiece	(mm)	43	43	43	43.6	43	43
	(in)	1.69	1.69	1.69	1.72	1.69	1.69

* moa=minute of angle: Deviation is 27, 8mm at 100m (1in. at 100 yds/25.4mm at 91.44m)

** Nikon riflescopes are factory set to be parallax free at 100 yds. (91.44 m) 2.5-10x50 SF allow free adjustment from 50yds. (45.72 m) up to infinite point.

Instructions

(1) Battery

CAUTION: When installing batteries, make sure the firearm is unloaded. Use safe firearm handling practices at all times.

Your Nikon Monarch Gold (E) 2.5-10x50 SF and 2.5-10x56 Dual Illuminated Reticle are powered by one 3V lithium battery (CR2032 or equivalent). When your reticle grows dim or not light at all, you need to replace the battery.

How to replace battery.

1. Hold the rheostat intensity dial tightly and turn the cover with coin counter clockwise.
2. Take out the old battery and put one 3V Lithium Battery into the compartment. Be sure (+) side to be up.
3. Put the cover back and turn it clockwise with coin until the cover is firmly secured.
4. Turn the rheostat intensity dial to the desired color (red or green) and intensity (OFF to 5 : 6 steps).

(2) Focusing

1. Look through the eyepiece with your eye positioned about 10cm (4 in) away from the eyepiece lens (Fig. 3-1), and you will see the Nikoplex reticle (Fig. 3-2), the Reticle #4 reticle (Fig. 3-3) or the IL Reticle #4 reticle (Fig. 3-4), or the BDC reticle (Fig. 3-5).

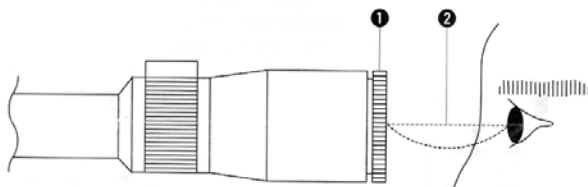
On the model IL Reticle #4 reticle, if the illumination function is turned on, only the intersection point of the cross wire appears faintly illuminated.

Be sure your eye is positioned within proper alignment and proper eye relief otherwise the view will "black out".

2. Point the objective end of the scope at the sky (Do not point at the sun) or at a plain unpatterned wall. Turn the eyepiece adjustment counter-clockwise and then turn it clockwise until the reticle appears sharp.

- 1) Eyepiece Adjustment
- 2) Eye Relief

Non illuminated Reticle model



Illuminated Reticle model

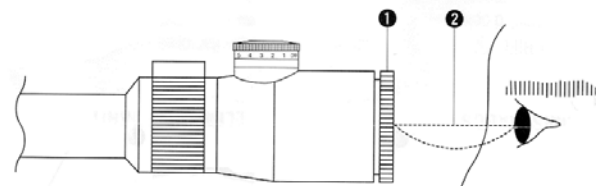


Fig. 3-1
Abb. 3-1

The reticle should be immediately crisp and clear to the quick glance.

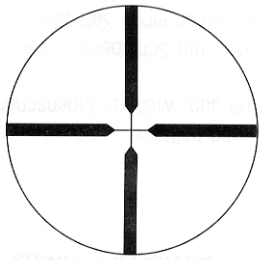


Fig. 3-2
Abb. 3-2

Nikoplex Reticle

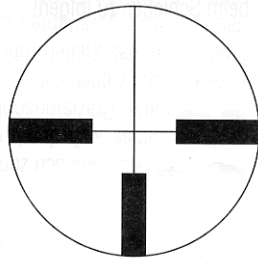


Fig. 3-3
Abb. 3-3

Reticle #4 Reticle

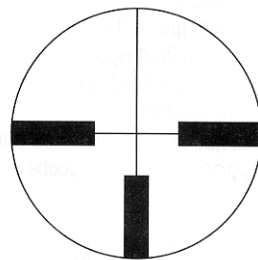


Fig. 3-4
Abb. 3-4

IL Reticle #4 Reticle
(Illuminated Reticle model only)

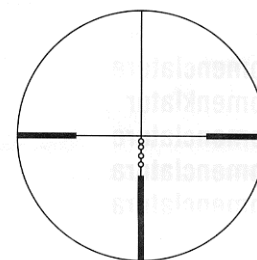


Fig. 3-5
Abb. 3-5

BDC reticle (2.5-10x50 only)

(3) Magnification

- The Nikon Monarch Gold (E) 2.5-10x50 SF and 2.5-10x56 SF have a variable magnification from 2.5 to 10x, 1.5-6x42 from 1.5 to 6x, 1.1-4x24 from 1.1 to 4x.

To change powers, just rotate the power selector ring until the desired magnification appears adjacent to the power index dot.

(4) Adjustment and Zero setting of the riflescope

Sighting through the riflescope, align the rifle with your aiming point on the target and shoot a trial round.

If the bullet does not hit the aiming point, adjust the elevation and windage as follows:

- If the bullet hits under the aiming point, turn the elevation adjustment (counter-clockwise) in the direction of the arrow marked "U" for up as in Fig. 3-6. If the bullet hits high, turn adjustment (clockwise) in the direction of the arrow marked "D" for down.
- If the bullet hits to the right of the aiming point, turn the windage adjustment (clockwise) in the direction of the arrow marked "L" for left as in Fig. 3-7. If the bullet hits to the left of the aiming point, turn adjustment (counter-clockwise) in the direction of the arrow marked "R" for right.
- After the reticle has been adjusted to the point of impacts, with the grip held with your fingers to avoid shifting of the aligned grip, turn the grip screw in top of the grip counterclockwise with coin. Then lift the grip up and align the "▼" with the index mark. It may happen that the "▼" could not align with the index mark exactly because of the coupling pitch of the grip with the shaft. And by securing the grip with your fingers to avoid shifting of the grip, turn the grip screw clockwise with the coin until the grip is firmly secured. (Fig. 3-8)

Note:

- The windage and elevation scales of the Nikon Monarch Gold (E) 2.5-10x50 SF, 2.5-10x56 SF, 1.5-6x42 and 1.1-4x24 are calibrated in division of 1/4 minute of angle with a click at intervals of 1/4 minute of angle (one division).
- When adjusting the reticle to the point of aim, remember that one minute of angle equals approximately one inch (2.54 cm) at 100 yards (91.44 m). Therefore, if the impact point is two inches (5.08 cm) low and one inch (2.54 cm) right at 100 yards (91.44 m) Parallax Setting, you should adjust two minutes of angle up one minute of angle left. In case of 50 yards (45.72 m). Parallax Setting the adjusting value is double. In case of 75 yards (68.58 m) Parallax Setting is 1.5 times.

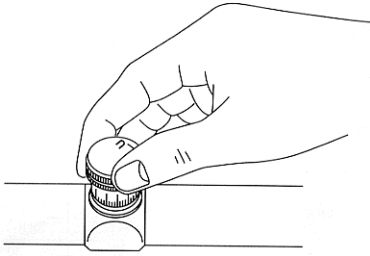


Fig. 3-6
Abb. 3-6

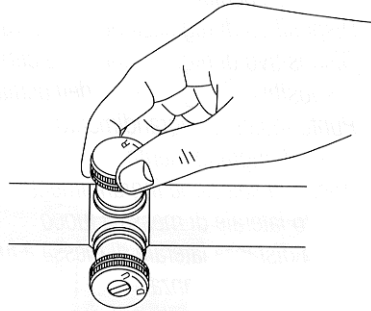


Fig. 3-7
Abb. 3-7

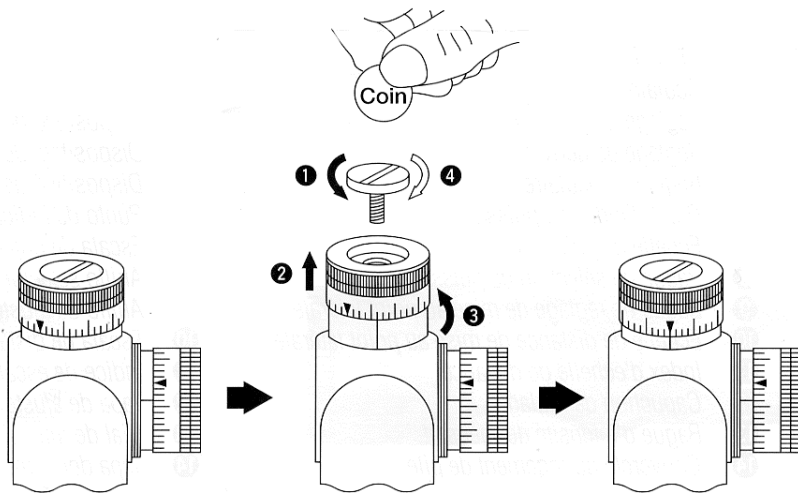


Fig. 3-8
Abb. 3-8

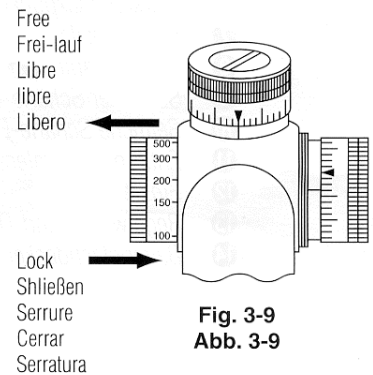


Fig. 3-9
Abb. 3-9

(5) Adjustable objective

The Nikon Monarch Gold (E), 2.5-10x50 SF and 2.5-10x56 SF can be more precisely focused within the range of at least 50 yards (45.72 m) ~ infinity by rotating the Side Focus adjustment ring.

Parallax can be eliminated and sight alignment will be accurate.

Use its distance scale as a reference guide.

The Side Focus adjusting ring has a locking system.

To loosen locking system, pull the Side Focus adjustment ring out. (Fig. 3-9)

Then set the parallax free distance and push the adjusting ring in to lock the ring.

Maintenance

(1) Lens cleaning

To remove dirt or fingerprint, soak gauze or lens cleaning paper (silicon-free paper sold at camera shop) with a small quantity of absolute alcohol (available from drugstore) and lightly wipe off. Wiping with leather chamois is not recommended as it is likely to damage the lens surface.

Dust may scratch the lens surface or corrode the lens.

Brush dust off using a soft oil-free brush.

(2) Scope Exterior

Use a soft dry cloth to wipe off any dirt or finger-prints that might accumulate. It is not necessary to oil the scope's surface.

(3) Windage/Elevation Adjustments

These adjustments are permanently lubricated. Do not attempt to lubricate them. Cover with caps supplied, except when adjusting, to keep out dust and dirt.

(4) Eyepiece Adjustment

This adjustment is permanently lubricated. Do not attempt to lubricate.

(5) Power Selector Ring

No lubrication is required on the power selector ring. Do not loosen or remove screws in power selector ring.

In the event that you should require service for your Nikon RIFLESCOPE, in case of USA market, please send it directly to:

Nikon Scope Service
841 Apollo Street, Suite 100
El Segundo, CA. 90245-4721
1-800-Nikon SV.

In other market, please bring it to dealer from which you purchased it.

Nikon Inc.
1300 Walt Whitman Road
Melville, NY 11747-3064
P: (631)547-8632
F: (631)547-4040

Free Manuals Download Website

<http://myh66.com>

<http://usermanuals.us>

<http://www.somanuals.com>

<http://www.4manuals.cc>

<http://www.manual-lib.com>

<http://www.404manual.com>

<http://www.luxmanual.com>

<http://aubethermostatmanual.com>

Golf course search by state

<http://golfingnear.com>

Email search by domain

<http://emailbydomain.com>

Auto manuals search

<http://auto.somanuals.com>

TV manuals search

<http://tv.somanuals.com>