



NILES®



CM963

9" CEILING MOUNT LOUDSPEAKER



9" Ultimate Three-Way Ceiling Mount Loudspeaker with Pivoting Midrange/Tweeter Pod

- 9" Interlaced Glass Fiber Woofer
- 1" Teteron® Tweeter
- 1-1/2" Interlaced Glass Midrange

SPECIFICATIONS SHEET

9 INCH CEILING MOUNT LOUDSPEAKER

9" Three-way Ceiling Mounted Loudspeaker

CM963

Stock Number

FG01320



Features

- Integrated woofer/baffle design delivers greater low frequency response by employing a 9" woofer where competitive models employ 8-inch woofers
- Twist & Lock™ baffle and frame mechanism facilitates quick installation and trouble-free upgrades
- Interlaced glass fiber cone is lightweight yet extremely rigid for deep, powerful bass response
- Butyl rubber surround damps resonance and provides exceptional durability
- 1" fluid-cooled Teteron® dome tweeter offers ultra-wide dispersion and silky-smooth high-frequency response
- 1 1/2" fluid-cooled glass fiber dome midrange delivers high power handling and flat response
- Proprietary bridge-mounted midrange/tweeter-adjustment mechanism focuses the mid and high frequency sound in any direction without diffraction
- Includes flush-mount MicroPerf™ aluminum grille for a clean and unobtrusive look
- 2 position presence, 3 position tweeter and switchable boundary compensation controls provides for precise matching to room acoustics

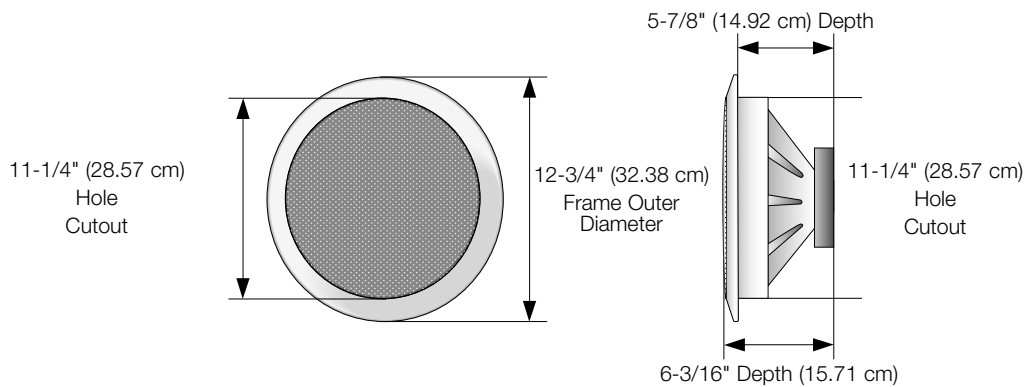
Specifications



- Frequency Response: 44Hz to 23kHz +/-3dB
- Impedance: 8 ohm nominal; 6 ohm minimum
- Recommended Amplifier Power: 10 to 200 Watts
- Frame Dimensions: 12 3/4 inches (32.38 cm)
- Hole cutout dimensions: 11 1/4 inches (28.57 cm)
- Depth behind ceiling: 6 5/8 inches (16.827 cm)

Warranty: Lifetime Limited



PRODUCT CONSTRUCTION AND ACCESSORIES



Loudspeaker Model		Works With	
Model	Stock Number	New Bracket	Hole Cover
CM963	FG01320	 <p>CM900 BKT FG01358</p>	 <p>CM900 Hole Cover FG01325</p>

Free Manuals Download Website

<http://myh66.com>

<http://usermanuals.us>

<http://www.somanuals.com>

<http://www.4manuals.cc>

<http://www.manual-lib.com>

<http://www.404manual.com>

<http://www.luxmanual.com>

<http://aubethermostatmanual.com>

Golf course search by state

<http://golfingnear.com>

Email search by domain

<http://emailbydomain.com>

Auto manuals search

<http://auto.somanuals.com>

TV manuals search

<http://tv.somanuals.com>