



## INSTALLATION GUIDE



FOR USE WITH NILES SW10JM JOIST MOUNT SUBWOOFER  
AND NILES SW10WM WALL MOUNT SUBWOOFER

**SW10JM SW10WM**

## CONGRATULATIONS!

Thank you for choosing Niles. This manual is for use with the Niles **SW10JM Joist Mount Subwoofer** or the Niles **SW10WM Wall Mount Subwoofer**. The SW10JM/SW10WM are custom-install passive subwoofers designed to blend seamlessly within a home's interior. Combined with the Niles SWA-500M subwoofer amplifier, the SW10JM/SW10WM provide superior sonic quality in home theater and home audio bass reinforcement. Like all Niles products, the SW10JM and SW10WM are built to the highest standards of quality and reliability, and with proper installation and operation, you'll enjoy years of trouble-free use.

Niles manufactures the industry's most complete line of custom installation components and accessories for audio/video systems. To see the complete Niles product assortment, visit us on the Internet at: [www.nilesaudio.com](http://www.nilesaudio.com).

## TABLE OF CONTENTS

Introduction	1
Features and Benefits	2
SW10JM (Joist-Mount) Subwoofer	3
<i>SW10JM Placement</i>	5
<i>SW10JM In-ceiling/In-floor installation</i>	6
SW10WM Installation – Floor Application	7
SW10WM Installation – Ceiling Application	13
Amplifier Requirements & Wiring	19
SW10WM (Wall-Mount) Subwoofer	21
<i>SW10WM Placement</i>	22
SW10WM In-wall Installation	23
Amplifier Requirements & Wiring	24
Specifications	28
Troubleshooting Guide	29
Notes	30

## INTRODUCTION

The Niles **SW10JM Joist Mount Subwoofer** is designed to fit discreetly in ceiling joists or sub-floors. The Niles **SW10WM Wall Mount Subwoofer** is designed to fit discreetly in walls. When properly installed, the SW10JM/SW10WM are virtually unnoticeable, visible only through the included Microperf™ ceiling grille or floor/wall grille. You'll hear deep, thunderous bass and save floor space. When combined with the Niles SWA-500M power amplifier, the SW10JM/SW10WM will produce robust bass reinforcement that makes movies and music so enjoyable.



**SW10JM JOIST  
MOUNT SUBWOOFER**

**SW10WM WALL  
MOUNT SUBWOOFER**

## FEATURES AND BENEFITS

### **10-INCH WOOFER WITH INJECTION MOLDED TCC™ (SW10JM ONLY)**

The SW10JM features a 10" injection molded TCC (Talc, Carbon and Ceramic) cone and ported enclosure for maximum bass response.

### **10-INCH REINFORCED FIBERGLASS CONE WOOFER (SW10WM ONLY)**

The SW10WM features a 10" shallow-depth reinforced fiberglass cone woofer that is extremely rigid to reduce break up, lower distortion, and provide enhanced bass response.

## **INSTALLATION FLEXIBILITY**

The SW10JM mounts in ceiling joists or under floors and accommodates 16" and 24" on-center joist construction. The SW10WM adapts to in-wall installations and is designed to fit standard 2 X 4 construction. Mounting hardware is included and each model includes one MicroperF™ grille and frame and one floor/cabinet grille (SW10JM only). You won't see a bulky, space-hogging subwoofer, but you'll hear spine-tingling low frequency information.

## **HIGH QUALITY COMPONENTS**

The SW10JM/SW10WM incorporate butyl rubber surrounds that damp resonance and provide exceptional strength and durability. Gold-plated input terminals on the top and bottom support wiring configuration from basement or attic and ensure the cleanest connection possible. Additionally, spike feet further reduce unwanted bass response to the structure tune port design, and isolation pads reduce unwanted drywall response. Paired with Niles SWA-500 subwoofer amplifier, the SW10JM/SW10WM provide thrilling, yet remarkably smooth low frequency effects.

## **PAINTABLE MICROPERF™ GRILLE WITH FRAME**

Blends easily into any room décor.

## **DOLBY DIGITAL® READY**

The SW10JM/SW10WM subwoofer are expressly designed for superior sonic quality in home theater applications. Each model exceeds the specifications set forth by Dolby Laboratories for the accurate reproduction of Dolby Digital-Encoded Sources.

## QUALITY YOU CAN COUNT ON

Since 1978, Niles Audio has been a leading manufacturer of custom-installed home entertainment products. Recognized around the world for designing and manufacturing reliable, durable, application specific products, Niles has more than 500 individual products for whole-house distribution and integration of audio/video systems, speakers, receivers, amplifiers, automation devices, controls, and accessories.

The SW10JM/SW10WM were designed in the USA by Niles engineers. We use high quality components and have thoroughly tested each product to ensure that it meets our high standards.

### NILES SW10JM (JOIST MOUNT) SUBWOOFER

The SW10JM Joist Mount subwoofer includes the following items:

- *1 Passive Subwoofer*
- *1 MicroPerf™ ceiling grille with frame*
- *1 floor/cabinet grille*
- *1 set of mounting brackets (front/rear)*
- *1 cardboard placement template*
- *1 Trim-out panel*
- *All necessary hardware*



**Figure 1.** Niles SW10JM Joist Mount Subwoofer

## **TOOLS NEEDED:**

- *Pencil*
- *Drywall Saw*
- *Phillips Screwdriver*
- *Drill (and assorted Bits)*
- *Qty. 2; 2 x 4s (48" in length)*
- *Wire strippers*
- *Tape Measure*
- *Level (Optional)*
- *Awl (optional)*
- *Staple gun (optional)*
- *Protective safety gear*
- *Tools suitable for cutting opening in the applicable flooring/wall material*

**CAUTION: ALWAYS CHECK FOR ELECTRICAL, HEATING, PLUMBING, CONDUIT, ETC., BEFORE CUTTING INTO CEILINGS OR FLOORS.**

**WARNING: ALWAYS TURN OFF THE AMPLIFIER WHEN CONNECTING THE SUBWOOFER AND ANY OTHER COMPONENTS TO THE SYSTEM.**

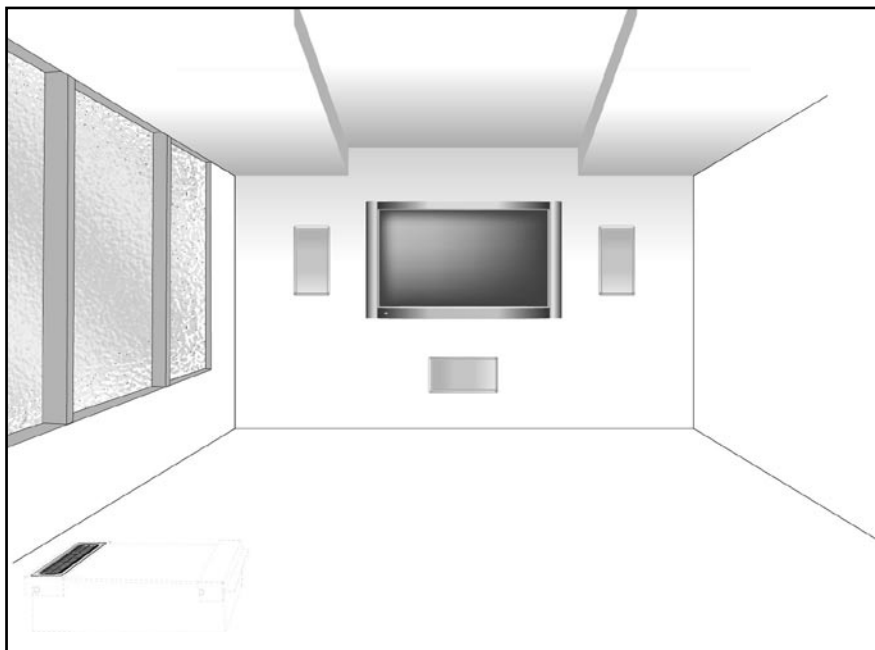
## SW10JM PLACEMENT

Before you begin, carefully plan the location of the SW10JM, keeping in mind that the SW10JM will be installed parallel with the rooms' joist construction. For maximum bass performance, we recommend positioning the SW10JM so that the grille/vent is near a corner or sidewall and is as close to the main speakers as possible. Keep in mind that the SW10JM is not magnetically-shielded and could cause interference if placed near a video display.

Installing the SW10JM near a corner can maximize low frequency information; however, be careful to avoid a "boomy" effect that can result from installing the sub in a corner. Also take into consideration any unusual features of the room, such as archways, that can affect bass response.

Every room is different and we recommend experimenting with the SW10JM subwoofer before you install this product. Experiment with a stand-alone subwoofer, placing it in different areas of the room to test the bass in different areas.

Keep in mind that low-frequency information (bass) can vibrate objects. Care should be taken in planning the installation of the in-floor/ceiling subwoofer to minimize the risk of room vibration and noise. Do not locate the SW10JM subwoofer close to lamps or furniture that might rattle or vibrate.



**Figure 2.** Home Theater layout with SW10JM placement options

---

## SW10JM IN-CEILING/IN-FLOOR INSTALLATION

The SW10JM subwoofer mounts directly to ceilings or sub-floors between joists and accommodates both 16" and 24" on-center joist construction. The included cardboard template matches the dimensions of the SW10JM and is used to position the subwoofer, the 2 X 4s that will support the subwoofer, and for marking the 4 pilot holes for cutting out an opening for the grille.

Be sure to mount the SW10JM securely to the floor/ceiling, as the bass output could cause unwanted vibration if the SW10JM is able to move. Be sure the joists to which the SW10JM are mounted are securely braced against each other so that the distance between them does not change and they are not able to move or shift. **Always consult local building codes before installation.**

Installing the SW10JM will require cutting pieces of drywall or floor surfaces. If you are not comfortable or experienced with precision drywall, we recommend consulting a professional contractor or custom installation professional.

**NOTE: IF THE SUBWOOFER GRILLES ARE TO BE PAINTED TO MATCH THE NEW CEILING OR FLOOR COLOR, THEY MUST BE PAINTED BEFORE THE UNIT IS INSTALLED.**

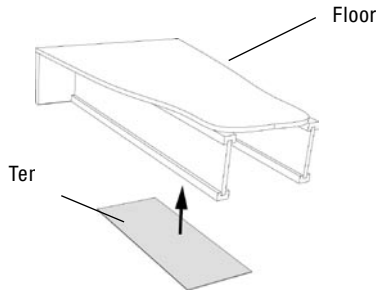


# SW10JM INSTALLATION – FLOOR APPLICATION

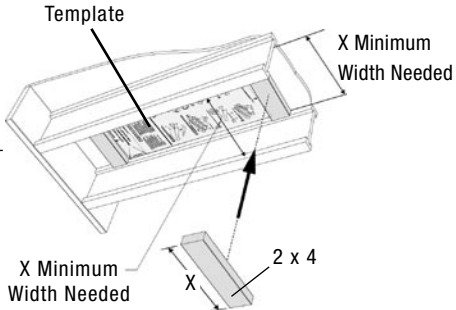
## FLOOR APPLICATION – BEFORE FINAL FLOORING APPLIED

### Pre-Construction

**1.** Use template to determine a suitable installation location. Place the SW10JM cardboard template in the desired location making sure the template is level and aligned correctly. You may want to staple the template in place for added ease.

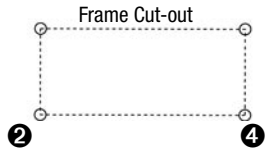


**2a.** Measure the width between the joists/studs and cut two 2 X 4's to match this width. The 2 X 4's will be used to cross brace between joists.

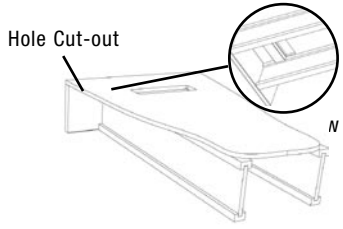


**2b.** Position each 2 X 4 according to template. Attach each 2 X 4 to the floor joists using applicable local building methods.

**3a.** Mark 4 hole locations from template. This area will be used for the grille cutout.

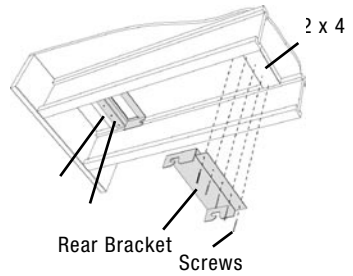


**3b.** Cut thru sub-flooring (OSB, PLYWOOD, ETC.) between marks using appropriate tools.

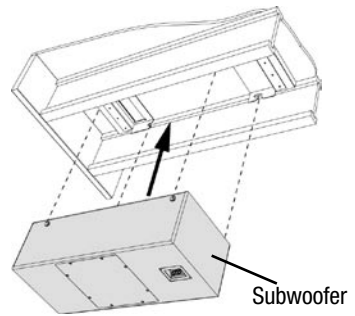
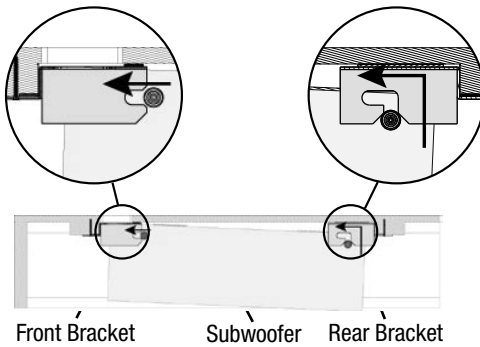


4. Attach the supplied front and rear brackets to the 2 x 4's using the supplied 1.5" wood screws.

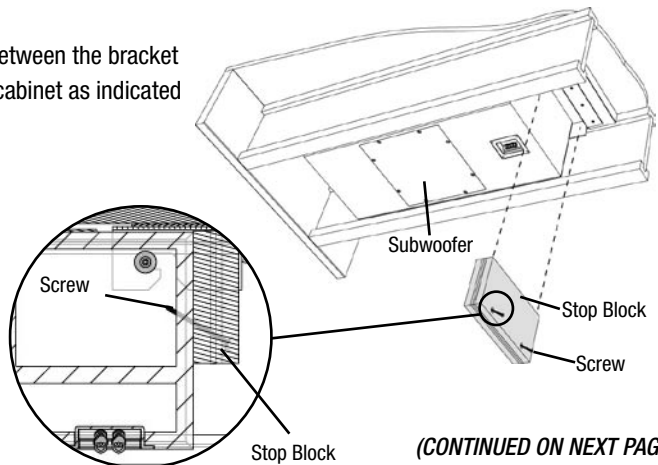
**NOTE: REMOVE THE STOP BLOCK FROM THE SW10JM PORT. THE STOP BLOCK IS INCLUDED TO PREVENT THE SUBWOOFER FROM DISENGAGING FROM BRACKETS UNTIL THE GRILLE IS INSTALLED.**



5. Place the SW10JM subwoofer into the brackets aligning the attachment pins to the slots in the brackets. Begin with the ported end first.



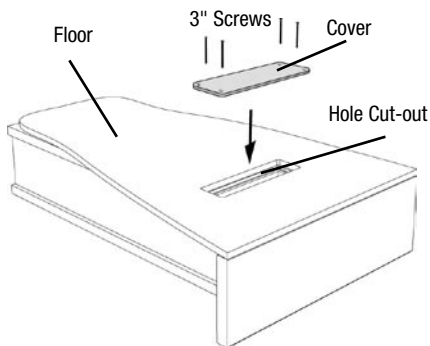
6. Install the stop block between the bracket and cabinet at rear of cabinet as indicated in drawing.



*(CONTINUED ON NEXT PAGE)*

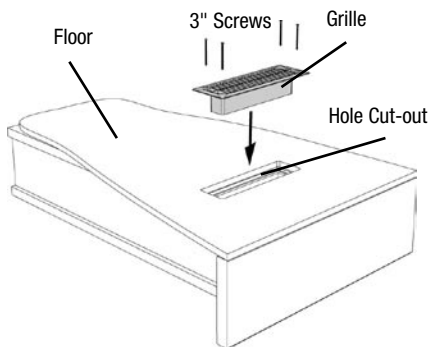
## SW10JM INSTALLATION – FLOOR APPLICATION (CONTINUED)

7. Install Trim Out Panel to protect cabinet from debris until trim out using the supplied screws.



8. For trim out, remove **Trim Out Panel**.

9. Install the included floor grille into the cut-out opening using the same screws from the **Trim Out Panel**.



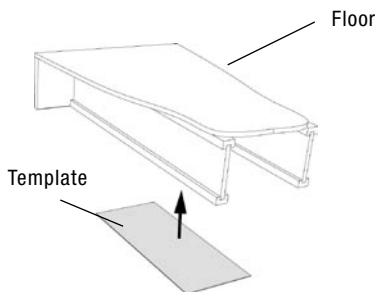
**OPTIONAL:** The grille can be painted to match most decors but should be painted before installation. Additionally, paint the grille separately from the loudspeaker frame. For best results when painting the grille, use a spray gun or airless sprayer. Thin the paint to prevent clogging of the grille holes and apply several light coats instead of one heavy one.

## SW10JM INSTALLATION – FLOOR APPLICATION

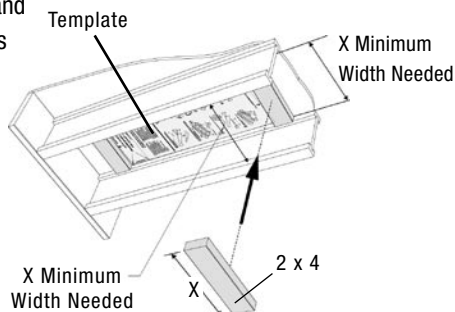
### FLOOR APPLICATION – COMPLETE INSTALLATION

#### New/Existing Construction

1. Use template to determine a suitable installation location. Place the SW10JM cardboard template in the desired location making sure the template is level and aligned correctly. You may want to staple the template in place for added ease.

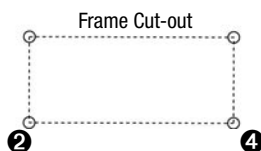


- 2a. Measure the width between the joists/studs and cut two 2 X 4s to match this width. The 2 X 4s will be used to cross brace between joists.

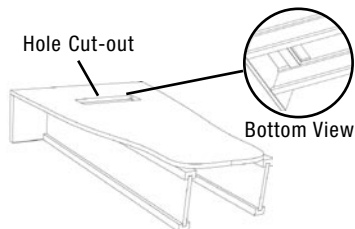


- 2b. Position each 2 X 4 according to template. Attach each 2 X 4 to the floor joists using applicable local building methods.

- 3a. Mark 4 hole locations from template. This area will be used for the grille cutout.



- 3b. Cut thru sub-flooring (OSB, PLYWOOD, ETC.) between marks using appropriate tools.



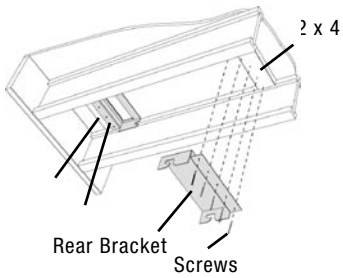
(CONTINUED ON NEXT PAGE)



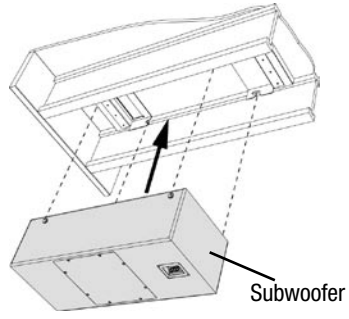
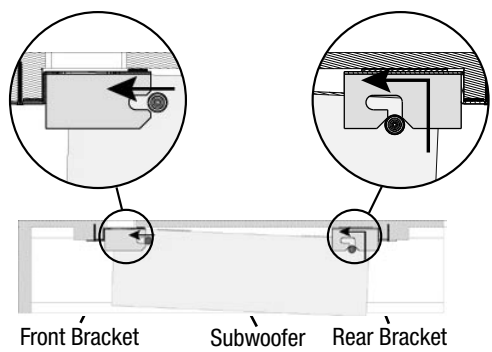
# SW10JM INSTALLATION – FLOOR APPLICATION (CONTINUED)

4. Attach the supplied front and rear brackets to the 2 x 4's using the supplied 1.5" screws.

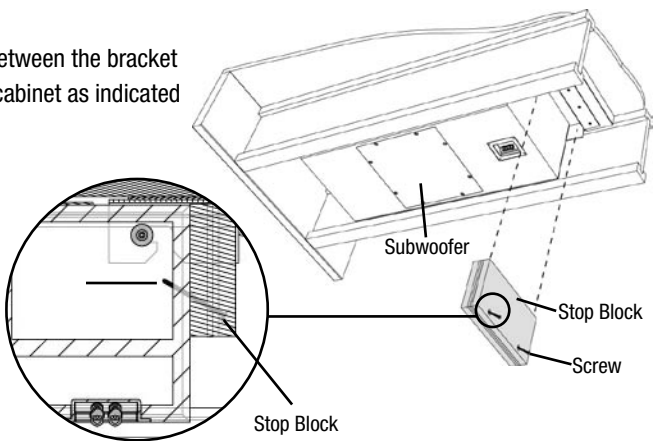
**NOTE: REMOVE THE STOP BLOCK FROM THE SW10JM PORT. THE STOP BLOCK IS INCLUDED TO PREVENT THE SUBWOOFER FROM DISENGAGING FROM BRACKETS UNTIL THE GRILLE IS INSTALLED.**



5. Place the SW10JM subwoofer into the brackets aligning the attachment pins to the slots in the brackets. Begin with the ported end first.

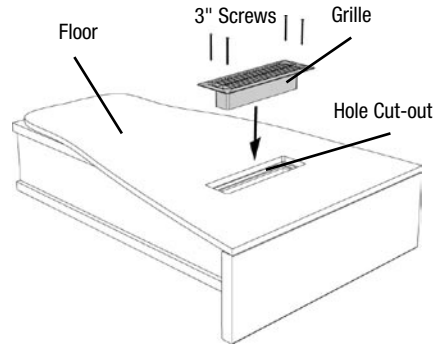


6. Install the stop block between the bracket and cabinet at rear of cabinet as indicated in drawing.



- 7.** Install the included floor grille into the cut-out opening using the supplied screws.

**OPTIONAL:** The grille can be painted to match most decors but should be painted before installation. Additionally, paint the grille separately from the loudspeaker frame. For best results when painting the grille, use a spray gun or airless sprayer. Thin the paint to prevent clogging of the grille holes and apply several light coats instead of one heavy one.

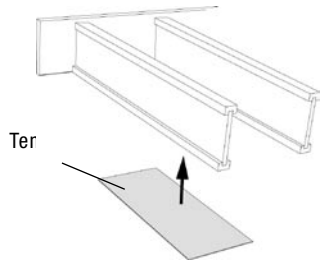


# SW10JM INSTALLATION – CEILING APPLICATION

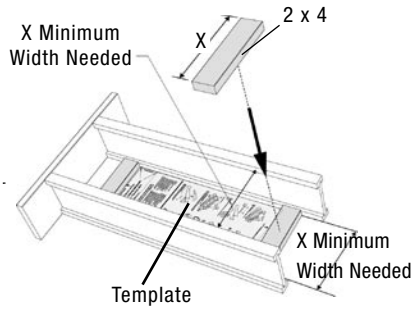
## CEILING APPLICATION – BEFORE DRYWALL APPLIED

### Pre-Construction

1. Use template to determine a suitable installation location. Place the SW10JM cardboard template in the desired location making sure the template is level and aligned correctly. You may want to staple the template in place for added ease.



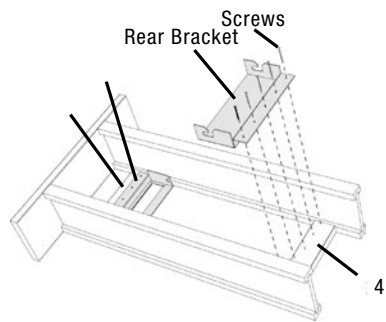
- 2a. Measure the width between the joists/studs and cut two 2 X 4's to match this width. The 2 X 4's will be used to cross brace between joists.



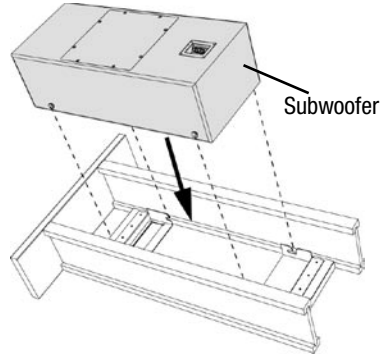
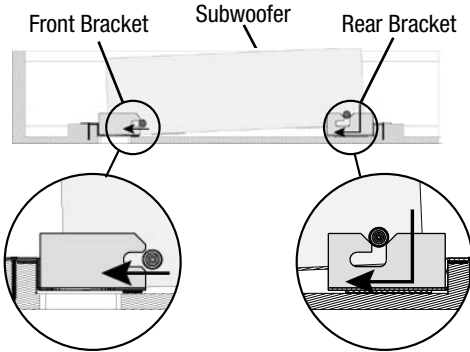
- 2b. Locate 2 x 4's at end of template as shown. Position each 2 x 4 and attach to trusses using applicable local building methods.

3. Attach the supplied front and rear brackets to the 2 x 4's using the supplied 1.5" screws.

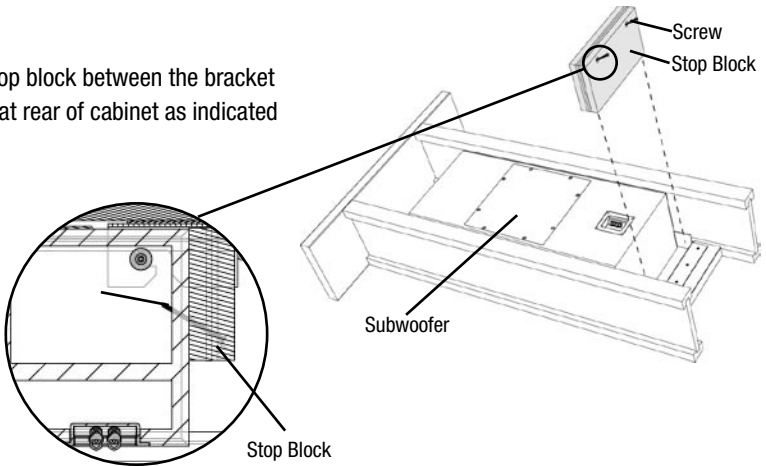
**NOTE: REMOVE THE STOP BLOCK FROM THE SW10JM PORT. THE STOP BLOCK IS INCLUDED TO PREVENT THE SUBWOOFER FROM DISENGAGING FROM BRACKETS UNTIL THE GRILLE IS INSTALLED.**



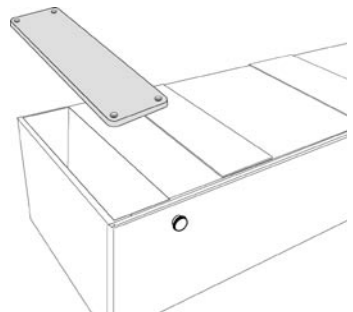
4. Place the SW10JM subwoofer into the brackets aligning the attachment pins to the slots in the brackets. Begin with the ported end first.



5. Install the stop block between the bracket and cabinet at rear of cabinet as indicated in drawing.



6. Install **Trim Out Panel** to allow drywall installer exact location of cut-out.

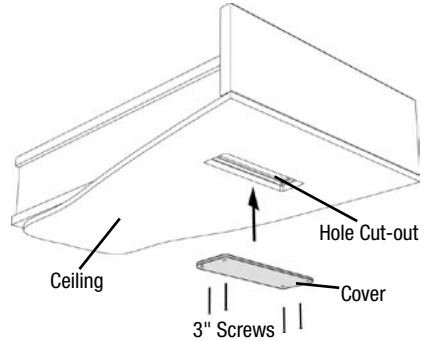


(CONTINUED ON NEXT PAGE)

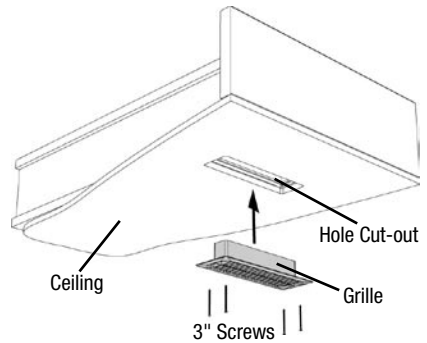


# SW10JM INSTALLATION – CEILING APPLICATION (CONTINUED)

7. For trim out, remove **Trim Out Panel**.



8. Install the included ceiling grille frame into the cut-out opening using the supplied screws.



9. Install the included ceiling grille into the frame.

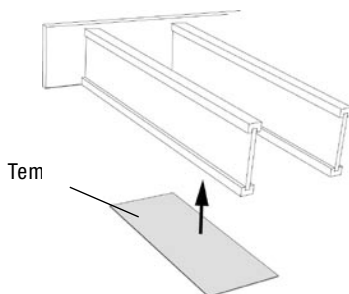
**OPTIONAL:** The grille can be painted to match most decors but should be painted before installation. Additionally, paint the grille separately from the loudspeaker frame. For best results when painting the grille, use a spray gun or airless sprayer. Thin the paint to prevent clogging of the grille holes and apply several light coats instead of one heavy one.

## SW10JM INSTALLATION – CEILING APPLICATION

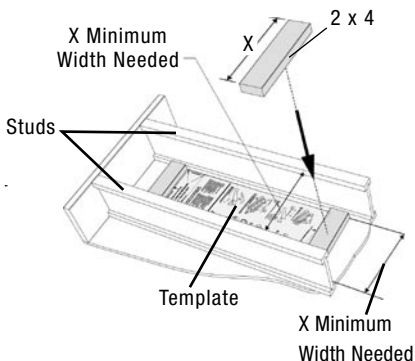
### CEILING APPLICATION – COMPLETE INSTALLATION

#### New/Existing Construction

1. Use template to determine a suitable installation location. Place the SW10JM cardboard template in the desired location making sure the template is level and aligned correctly. You may want to staple the template in place for added ease.

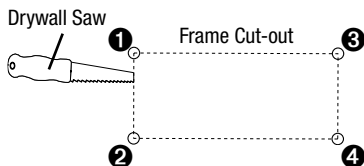


- 2a. Measure the width between the joists/studs and cut two 2 X 4's to match this width. The 2 X 4's will be used to cross brace between joists.

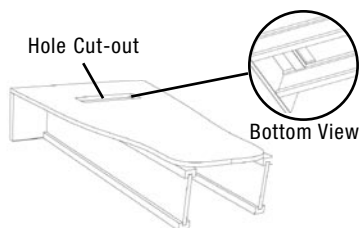


- 2b. Locate 2 x 4's at end of template as shown. Position each 2 x 4 and attach to trusses using applicable local building methods.

- 3a. Mark 4 hole locations from template. This area will be used for the grille cutout.



- 3b. Cut thru ceiling between marks (drywall, sheetrock, etc.) using appropriate tools



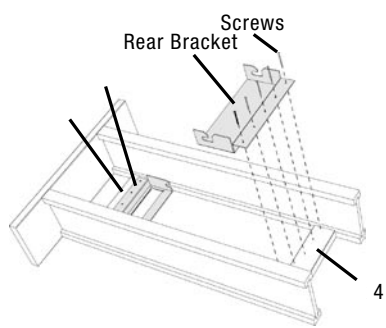
(CONTINUED ON NEXT PAGE)



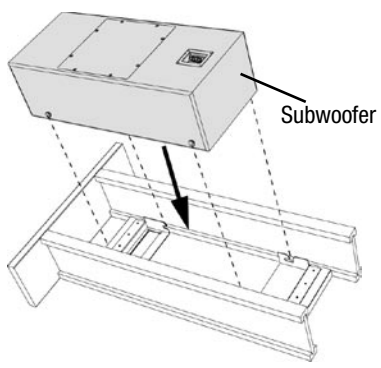
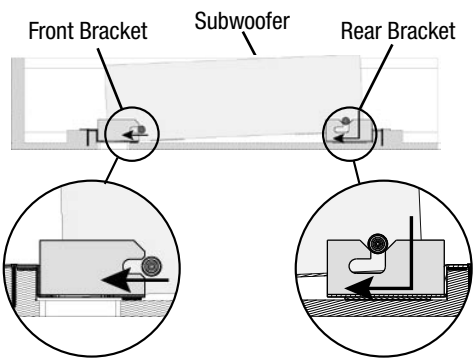
# SW10JM INSTALLATION – CEILING APPLICATION (CONTINUED)

4. Attach the supplied front and rear brackets to the 2 x 4's using the supplied 1.5" screws.

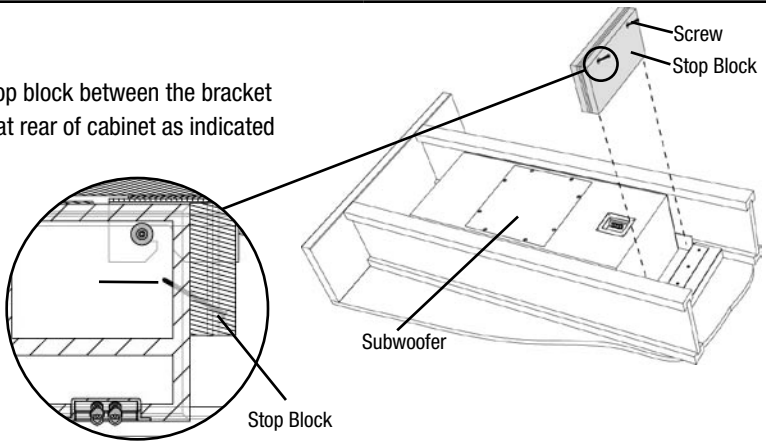
**NOTE: REMOVE THE STOP BLOCK FROM THE SW10JM PORT THE STOP BLOCK IS INCLUDED TO PREVENT THE SUBWOOFER FROM DISENGAGING FROM BRACKETS UNTIL THE GRILLE IS INSTALLED.**



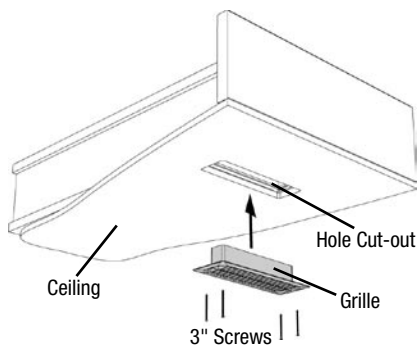
5. Place the SW10JM subwoofer into the brackets aligning the attachment pins to the slots in the brackets. Begin with the ported end first.



6. Install the stop block between the bracket and cabinet at rear of cabinet as indicated in drawing.



- 
- 7.** Install the included ceiling grille into the cut-out opening using the supplied screws.



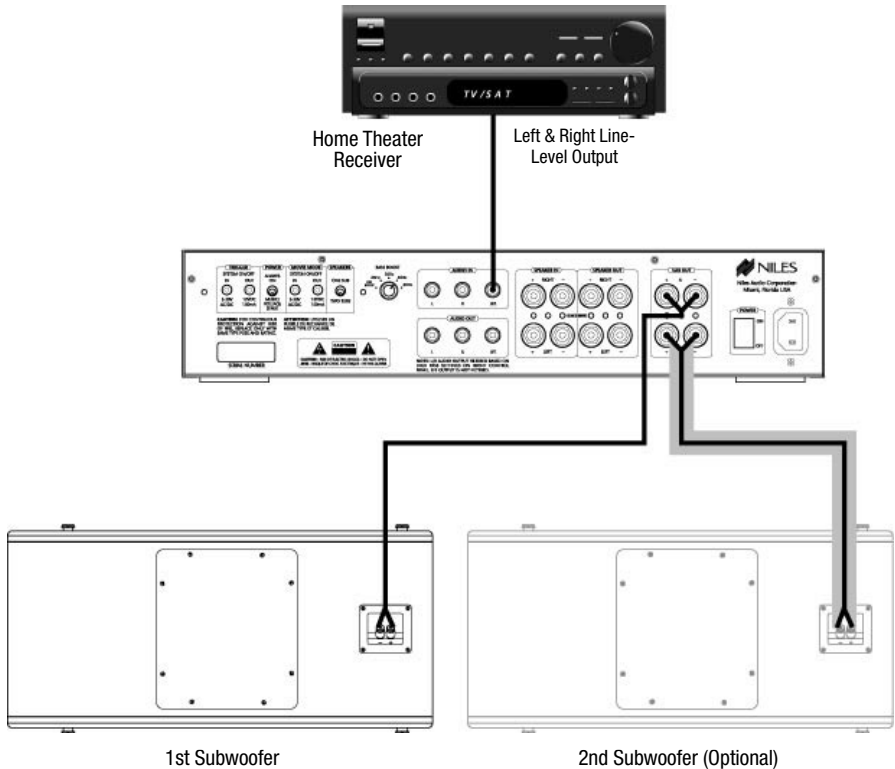
- 
- 8.** Install the included ceiling grille into the frame.

---

**OPTIONAL:** The grille can be painted to match most decors but should be painted before installation. Additionally, paint the grille separately from the loudspeaker frame. For best results when painting the grille, use a spray gun or airless sprayer. Thin the paint to prevent clogging of the grille holes and apply several light coats instead of one heavy one.

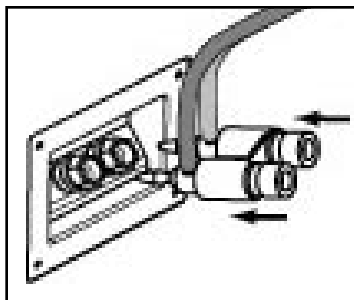
## AMPLIFIER REQUIREMENTS & WIRING

The SW10JM is a passive (non-powered) subwoofer and must be used with a power amplifier. We strongly recommend the Niles SWA-500 subwoofer amplifier. Use with any other amplifiers could result in less than optimal performance.



**Figure 3.** Line diagram showing 1 or more SW10JM connected to the SWA-500

We recommend 16 AWG 2-conductor speaker wire for runs up to 60 feet, with heavier high quality speaker wire used for longer runs. When permanently installing wire inside walls, be sure to use cable that is rated for in-wall use and has special jacketing for fire prevention. The wires should be run in accordance with National Electrical Code and any applicable local building codes.



**Figure 4.** 5-way binding posts

The SW10JM has 5-way binding posts that accept all types of wire ends.

Be sure to wire the subwoofer “in-phase”— positive (red) terminal on the amplifier output must be connected to the corresponding positive (red) terminal on the subwoofer and likewise negative (black). Most speaker wires have markings along one or both conductors to help you make the correct connections. Take care to wire the subwoofer correctly in-phase, before floors/ceiling are sealed.

## WIRING FOR NEW CONSTRUCTION

For best results, avoid running speaker wire near AC wiring, as it may induce a 60Hz hum in the audio signal. It's a good idea to run the speaker wire after the electrical wiring has already been completed, so that you can route the speaker wire at least three feet away from the electrical wiring. If speaker wire and AC wiring must run parallel, install the wire within a metal conduit.

**NOTE: THE SW10JM IS DESIGNED FOR INTERIOR IN-FLOOR OR IN-CEILING INSTALLATIONS BETWEEN STANDARD JOISTS 10" TALL OR GREATER. INSTALLATION IN OUTDOOR LOCATIONS OR IN MOISTURE-PRONE INTERIOR ENVIRONMENTS SUCH AS INDOOR SWIMMING POOLS OR SAUNAS IS NOT RECOMMENDED.**

**CAUTION: ALWAYS CHECK FOR ELECTRICAL/HEATING/PLUMBING APPARATUS BEFORE CUTTING INTO CEILINGS OR FLOORS.**

## SW10WM (WALL MOUNT) SUBWOOFER

The SW10WM Wall Mount subwoofer includes the following items:

Preconstruction package:

- *1 Ported cabinet (back box) with trim-out panel*
- *1 set of installation brackets with screws*
- *1 set of rubber feet*

Installation package:

- *1 Baffle mounted passive driver*
- *1 MicroPerf™ grille with frame*
- *1 Template for subwoofer placement*

### TOOLS NEEDED:

- *Pencil*
- *Drywall saw*
- *Phillips screwdriver*
- *Drill (and assorted bits)*
- *Wire strippers*
- *Tape measure*
- *Level (optional)*
- *Awl (optional)*
- *Staple gun (optional)*
- *Protective safety gear*
- *Tools suitable for cutting opening in the applicable flooring/wall material*



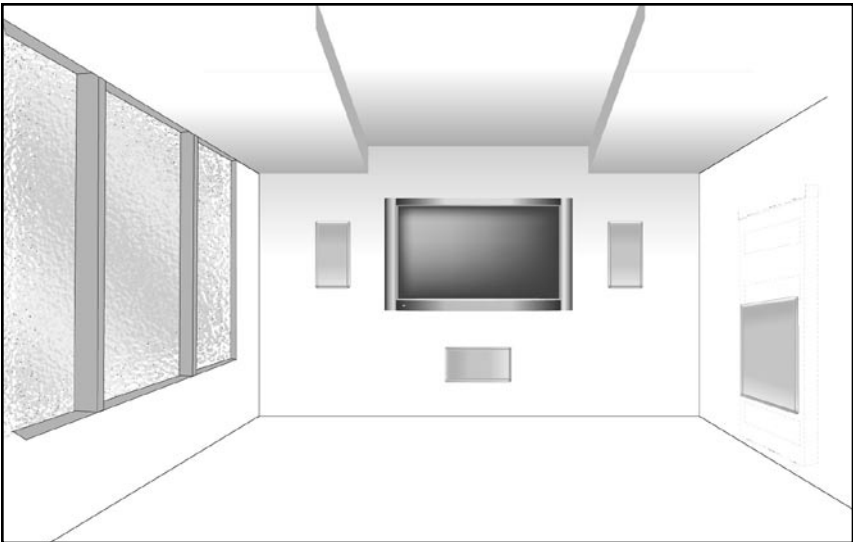
**Figure 5.**  
Niles SW10WM Wall Mount Subwoofer

**CAUTION: ALWAYS CHECK FOR ELECTRICAL, HEATING, PLUMBING, CONDUIT, ETC., BEFORE CUTTING INTO CEILINGS OR FLOORS.**

## SW10WM PLACEMENT

Before you begin, carefully plan the location of the SW10WM subwoofer, keeping in mind that the SW10WM will be installed parallel with the room's stud construction. For maximum bass performance, we recommend positioning the SW10WM so that the grille/frame is near a corner or sidewall and is as close to the main speakers as possible. Keep in mind that the SW10WM subwoofer is not magnetically-shielded and could cause interference if placed near a video display.

Installing the SW10WM near a corner can maximize low frequency information; however, be careful to avoid a "boomy" effect that can result from installing the sub in a corner. Also take into consideration any unusual features of the room, such as archways, that can affect bass response.



**Figure 6.** Possible home theater layout with SW10WM placement options

Every room is different and we recommend experimenting with the SW10WM subwoofer before you install this product. Experiment with a stand-alone subwoofer, placing it in different areas of the room to test the bass in different areas.

Keep in mind that low-frequency information (bass) can vibrate objects. Care should be taken in planning the installation to minimize the risk of room vibration and noise. Do not locate the SW10WM subwoofer close to lamps or furniture that might rattle or vibrate.





## SW10WM IN-WALL INSTALLATION

The SW10WM subwoofer mounts parallel within the room's standard 2 X 4 stud construction. The included cardboard template matches the dimensions of the SW10WM and is used to position the subwoofer.

Be sure to mount the SW10WM securely, as the bass output could cause unwanted vibration if the SW10WM is able to move. Be sure the studs to which the SW10WM is mounted are securely braced so that the distance between them does not change and they are not able to move or shift. Always consult local building codes before installation.

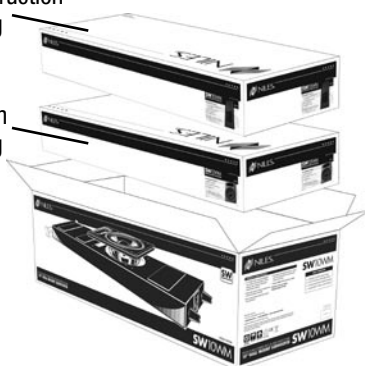
Installing the SW10WM will require cutting pieces of drywall. If you are not comfortable or experienced with precision drywall, we recommend consulting a professional contractor or custom installation professional. If the subwoofer grilles are to be painted to match the new ceiling or color, they must be painted before the unit is installed.

The SW10WM subwoofer comes conveniently packaged in two separate installation packages. The first package is for pre-construction which contains all the necessary components to install the cabinet located inside the wall. These parts include the cabinet itself, installation brackets, rubber isolating feet and an installation template.

The second package is to be used in the final Trim out phase. This package includes the driver/baffle assembly, frame and grille.

Pre-Construction  
Packaging

Installation  
Packaging

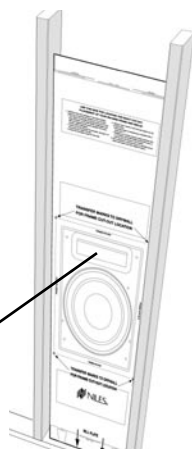


### **Pre-Construction**

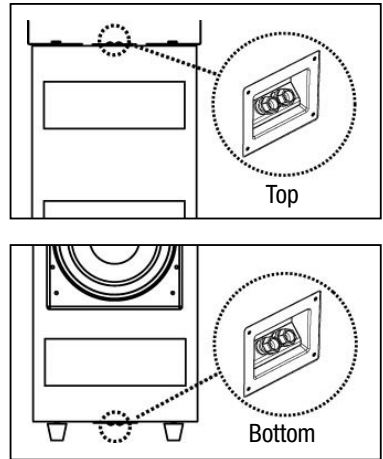
1. Locate the Pre-Construction package to begin installation of the product.

- 2a. Use the provided template to determine a suitable installation location. The SW10WM cardboard template represents the exact size of the cabinet with feet upon installation. Ensure this area is free of all obstructions.

Placing The Template

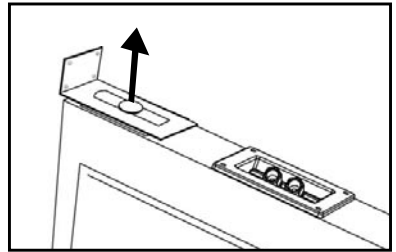


- 2b.** Determine suitable wire routing method. The SW10WM is provided with terminal cups at both the bottom and top of the unit for convenience.

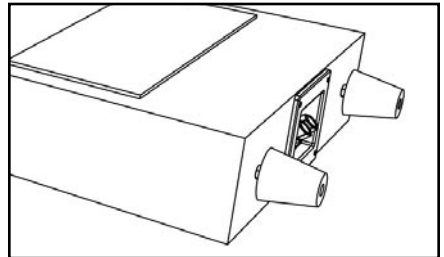


### Preparing the cabinet

- 3a.** Remove the large bolts located at the top of the cabinet and flip the brackets over re-installing brackets with the same bolts, leaving them loose. Ensure the flange surface with 4 holes is above the cabinet. Allow access for the installation hardware.

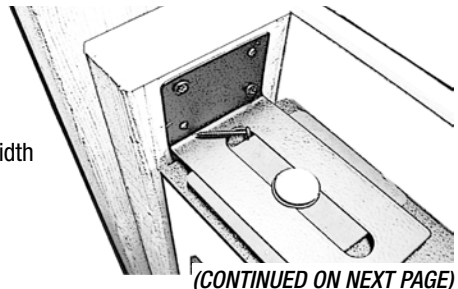


- 3b.** Locate the feet inside the pre-construction package. Place feet on cabinet.



### Installing the cabinet

- 4.** Place subwoofer cabinet into stud bay and adjust brackets to accommodate the exact width of construction. Tighten the bolts.



(CONTINUED ON NEXT PAGE)

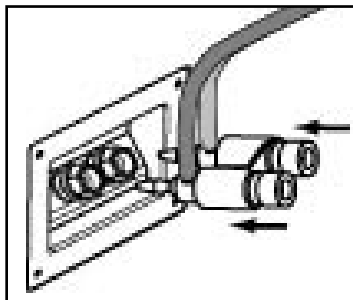


## SW10WM IN-WALL INSTALLATION (CONTINUED)

- Secure the brackets to the studs using the provided hardware.

- Make necessary wire connections to terminal cups

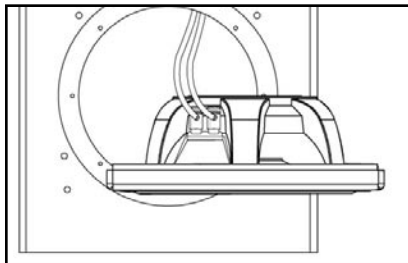
**NOTE: THE SW10WM CABINET HAS THE NECESSARY TRIMOUT PANEL ALREADY INSTALLED. THIS WILL ALLOW SHEETROCK INSTALLERS THE EXACT LOCATION FOR CUTTING THE FRAME OPENING AND PREVENT DEBRIS FROM ENTERING THE CABINET DURING THE FINAL PHASES OF CONSTRUCTION.**



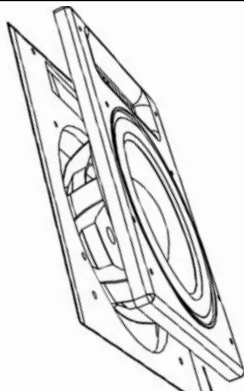
### **Installation Package**

- Remove Trim Out Panel from the cabinet and discard.
- Remove the Baffle/Driver from its packaging.

- Connect the appropriate speaker wires from inside the cabinet to the Push terminal on the back of the subwoofer basket. If using the terminal cups at the top, use the top wires. If using the terminal cups at the bottom, use the bottom wires.



- Insert the Baffle/Driver into the hole securing the baffle in place with the supplied screws.



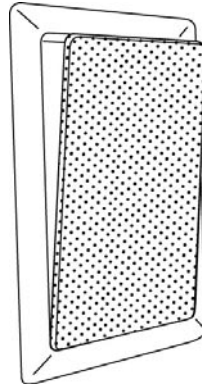
- 12.** Insert the frame into the cut-out hole securing the frame with the supplied 2" screws where needed to ensure a snug fit against the wall.



- 13.** Insert the metal grille into the frame pressing firmly all the way around the perimeter.

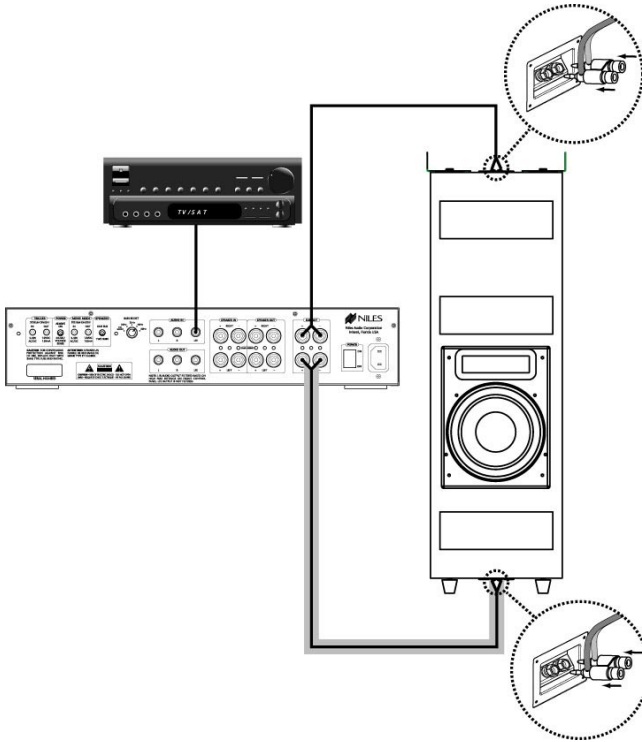
**TIP.** If the grille does not stay flush in some areas, remove grille, bending flange slightly outward in those areas, then re-apply grille to frame.

**OPTIONAL:** The grille can be painted to match most decors but should be painted before installation. Additionally, paint the grille separately from the loudspeaker frame. For best results when painting the grille, use a spray gun or airless sprayer. Thin the paint to prevent clogging of the grille holes and apply several light coats instead of one heavy one.

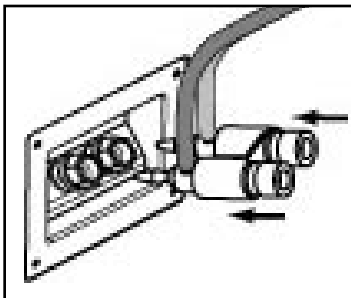


## AMPLIFIER REQUIREMENTS & WIRING

The SW10WM is a passive (non-powered) subwoofer and must be used with a power amplifier. We strongly recommend the Niles SWA-500 subwoofer amplifier. Use with any other amplifiers could result in less than optimal performance.



**Figure 7.** 1 or more SW10WM connected to the SWA-500



**Figure 8.** 5-way binding posts

The SW10WM has two 5-way binding posts that accept all types of wire ends. Be sure to wire the subwoofer “in-phase”—positive (red) terminal on the amplifier output must be connected to the corresponding positive (red) terminal on the subwoofer and likewise negative (black). Most speaker wires have markings along one or both conductors to help you make the correct connections. Take care to wire the subwoofer correctly in-phase, before floors/ceiling are sealed.

## WIRING FOR NEW CONSTRUCTION

For best results, avoid running speaker wire near AC wiring, as it may induce a 60Hz hum in the audio signal. It's a good idea to run the speaker wire after the electrical wiring has already been completed, so that you can route the speaker wire at least three feet away from the electrical wiring. If speaker wire and AC wiring must run parallel, install the wire within a metal conduit.

**NOTE: THE SW10WM IS DESIGNED FOR INTERIOR INSTALLATIONS BETWEEN STANDARD STUD CONSTRUCTION. INSTALLATION IN OUTDOOR LOCATIONS OR IN MOISTURE-PRONE INTERIOR ENVIRONMENTS SUCH AS INDOOR SWIMMING POOLS OR SAUNAS IS NOT RECOMMENDED.**

## SPECIFICATIONS

### Frequency Response:

SW10JM: 38Hz - 140Hz +/-3dB

SW10WM: 45Hz - 140Hz +/-3dB

### Amplifier Power:

SW10JM: For use with SWA-500M only

SW10WM: For use with SWA-500M only

### Overall Dimensions (with grille)

SW10JM Joist Mount Subwoofer: 30" W x 9" H x 13.81" D

76.2 cm W x 22.9 cm H x 35.1 cm D

SW10WM Wall Mount Subwoofer: 13.780" W x 46.298" H x 3.248" D

35 cm W x 117.6 cm H x 8.25 cm D

### Weight

SW10JM Joist Mount Subwoofer: 57.3 lbs (25.8 kg) shipping weight

SW10WM Wall Mount Subwoofer: 47.8 lbs (21.7 kg) shipping weight

## TROUBLESHOOTING GUIDE

If you experience a problem operating the SW10JM or SW10WM, consult this guide first. The most common problems relate to hook up. If the problem persists, or you have additional questions, call your local Niles dealer or Niles Technical Support at 1-800-289-4434, 305-238-4373 or techsupport@nilesaudio.com. Be sure to call from your telephone extension nearest the system.

### PROBLEM

No Sound

### SOLUTIONS

Short circuit or loose wire. Check that the connections are secure and that there are no loose strands of wire crossing from the positive to the negative terminals at the back of the amplifier and/or the speaker.

Short circuit or a break in the speaker wire. Disconnect the speaker wire at both ends, separate the 2 conductors at both ends and test with a meter for a short circuit. If there is no short, connect the two conductors at one end and test with a meter for continuity.

Audio cable to input is bad. Connect another cable that is known to be good.

### PROBLEM

Hum or buzz sound from the speakers

### SOLUTIONS

Hum or buzz may be caused by a ground loop between two of the other components in the system. To test for another ground loop, try reversing the AC plugs of each of the components in the system.

### PROBLEM

Bass sound is weak and the stereo image is “phasey” or “blurry”

### SOLUTIONS

The subwoofer is wired out of phase. Reverse the connections at the back of one speaker







## NOTES

---

---

---

---

---

---

---

---

---

---

---

---

---

---

---

---

---

---

---

---

---

---

---

---

---



BLENDING HIGH FIDELITY AND ARCHITECTURE®

Niles Audio Corporation  
12331 S.W. 130 Street Miami, Florida 33186  
1-305-238-4373

1-800-BUY-HIFI - [www.nilesaudio.com](http://www.nilesaudio.com)

©2008 Niles Audio Corporation. All rights reserved. Niles, the Niles logos and Blending High Fidelity and Architecture are registered trademarks of Niles Audio Corporation. TCC and MicroPerf are trademarks of Niles Audio Corporation.

All other trademarks are the property of their respective owners. DS00597B

## Free Manuals Download Website

<http://myh66.com>

<http://usermanuals.us>

<http://www.somanuals.com>

<http://www.4manuals.cc>

<http://www.manual-lib.com>

<http://www.404manual.com>

<http://www.luxmanual.com>

<http://aubethermostatmanual.com>

Golf course search by state

<http://golfingnear.com>

Email search by domain

<http://emailbydomain.com>

Auto manuals search

<http://auto.somanuals.com>

TV manuals search

<http://tv.somanuals.com>