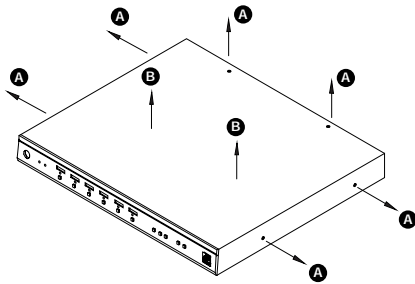


Installing the RVL-6 RMP

Step 1

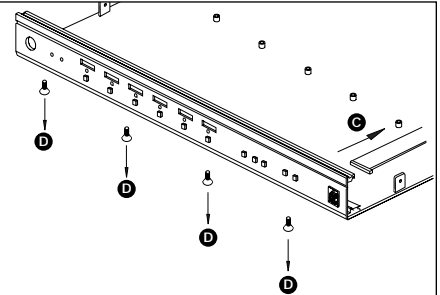
CAUTION! Unit must be unplugged before cover is removed

- A:** Remove screws from the RVL-6 chassis
- B:** Raise the cover off of the unit



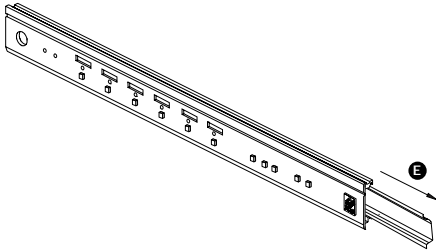
Step 2

- C:** Unplug the ribbon connector, pull away from the front panel
- D:** Remove screws from the bottom of the front panel and detach from chassis



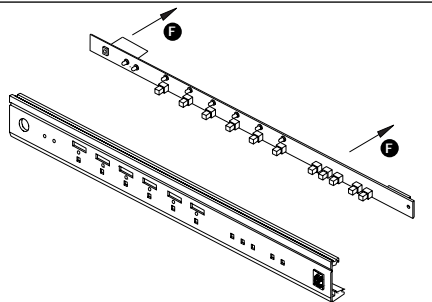
Step 3

- E:** Slide out the plastic retainer



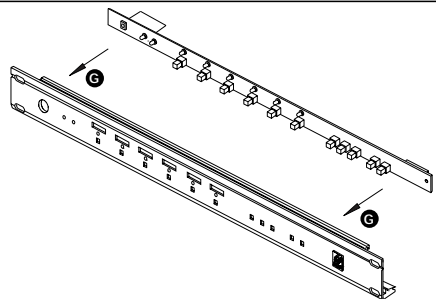
Step 4

- F:** Pull the circuit board away from the front panel



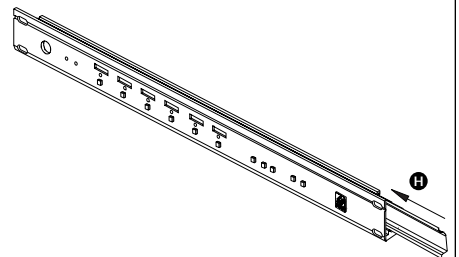
Step 5

- G:** Gently line up and place circuit board with the rack-mount panel



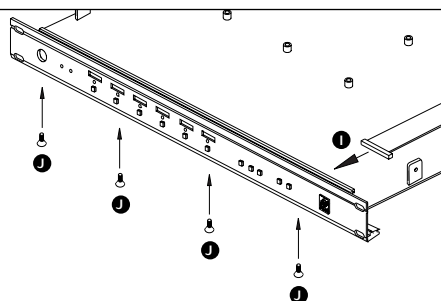
Step 6

- H:** Slide the plastic retainer back into place



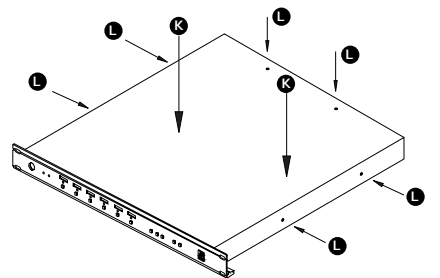
Step 7

- I:** Plug in the ribbon connector
- J:** Replace the screws to the bottom of the rack-mount panel



Step 8

- K:** Replace the cover onto the unit
- L:** Replace the screws to the RVL-6 cover



Niles Audio Corporation 12331 SW 130th Street Miami, Florida 33186 Tel: (305) 238-4373 Fax: (305) 238-0185

© 1999 Niles Audio Corporation. All rights reserved. Because Niles constantly strives to improve the quality of its products, Niles reserves the right to change product specifications without notice. Niles and the Niles logo are registered trademarks of Niles Audio Corporation. Printed in the USA 5/96 DS00171A www.nilesaudio.com

Free Manuals Download Website

<http://myh66.com>

<http://usermanuals.us>

<http://www.somanuals.com>

<http://www.4manuals.cc>

<http://www.manual-lib.com>

<http://www.404manual.com>

<http://www.luxmanual.com>

<http://aubethermostatmanual.com>

Golf course search by state

<http://golfingnear.com>

Email search by domain

<http://emailbydomain.com>

Auto manuals search

<http://auto.somanuals.com>

TV manuals search

<http://tv.somanuals.com>