

SPS-6

Speaker Selection System

INTRODUCTION

The SPS-6 enables you to connect up to six pairs of speakers to your stereo receiver or amplifier and play one pair, any combination of pairs or all pairs at once.

SPECIFICATIONS

Audio Power Handling
100 watts/channel continuous music power

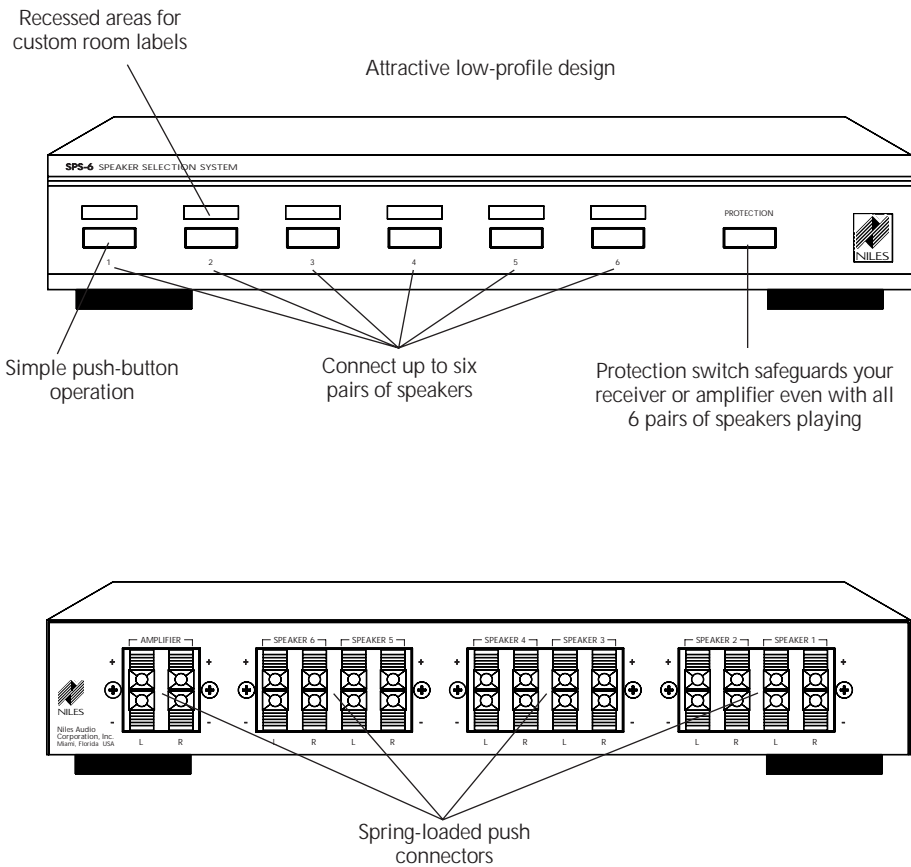
Mounting
Table-top component

Frequency Response
+0 dB, -0 dB (flat) from 20 Hz to 20 kHz

Wiring Requirements
Individual runs of 2-conductor speaker wire. Connectors accommodate wire sizes 14-22 gauge. 16 gauge recommended

Overall Dimensions
11-1/4" wide x 2" high x 6-3/4" deep

Weight
2-1/4 lb.



FEATURES & BENEFITS

- Pre-printed Room Labels are included for easy identification of speaker ON/OFF buttons.
- Isolated left and right channel ground returns make the SPS-6 compatible with all types of amplifiers.
- May be used with 4, 6 or 8 ohm speaker systems.
- Self-cleaning, silver-plated switch contacts assure years of trouble free use.
- 100% tested, electronically and acoustically, for frequency response, distortion and power handling.
- Protection circuit safeguards your receiver or amplifier.
- Spring-loaded push terminal connectors accommodate up to 14 gauge wire or "pins", making the SPS-6 compatible with most high definition speaker cables.
- Ten year parts and labor warranty.



BLENDING HIGH FIDELITY AND ARCHITECTURE®

CONTINUED OTHER SIDE ⇨

MODEL SPS-6 Speaker Selection System (continued)

APPLICATION NOTES

Connections

If your amplifier or receiver has "A" and "B" speaker pair outputs, connect the SPS-6 to the "A" points. Do not connect anything to "B". This will prevent the amplifier or receiver from driving an unusually low impedance load.

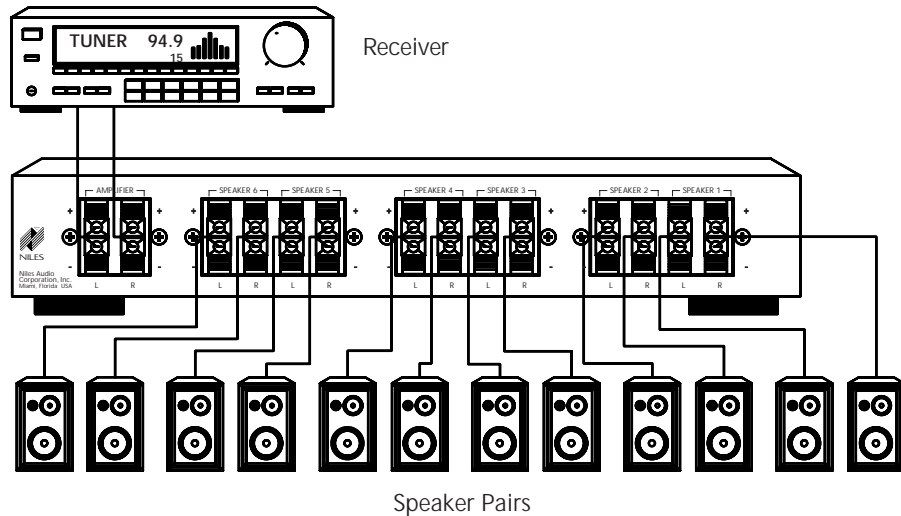
Using the SPS-6 with Tube Amplifiers

Virtually all tube amplifiers must have a load connected at all times. If the amplifier to be connected to the SPS-6 is a tube amplifier, be sure to always have at least one pair of speakers switched on at all times. An alternative is to permanently connect a 150 ohm, 5 watt resistor across the tube amplifier's output in parallel with the SPS-6.

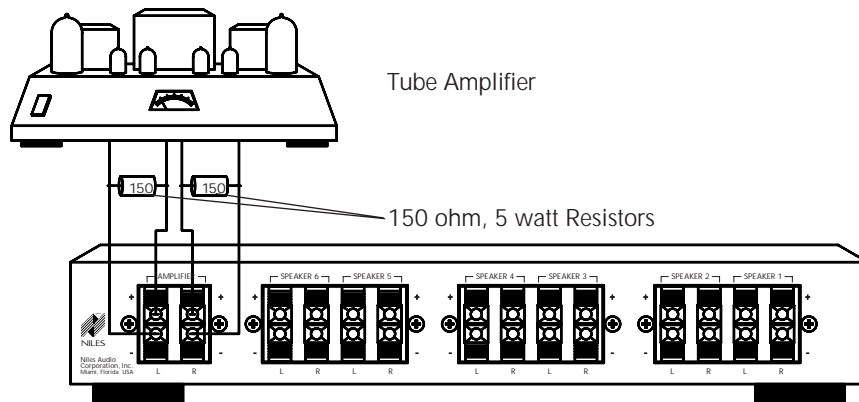
Impedance Matching

You will need to activate the SPS-6's PROTECTION button whenever the overall system impedance might fall below 4 ohms.

Connections



Protecting a Tube Amplifier



TOOLS REQUIRED

- 1/8" Standard Slotted Screwdriver
- Wire Stripper

When playing the following speakers:	The Protection button should be:
1 or 2 pair of 8-ohm speakers	OFF
3 or more pairs of 8-ohm speakers	ON
1 pair of 4-ohm speaker	OFF
2, or more pairs of 4-ohm speakers	ON
Any combination of 4 and 8 ohm speakers	ON



NILES AUDIO CORPORATION
 12331 S.W. 130 STREET MIAMI, FLORIDA 33186
 TEL: (305) 238-4373 FAX: (305) 238-0185 INTERNET: www.nilesaudio.com



Free Manuals Download Website

<http://myh66.com>

<http://usermanuals.us>

<http://www.somanuals.com>

<http://www.4manuals.cc>

<http://www.manual-lib.com>

<http://www.404manual.com>

<http://www.luxmanual.com>

<http://aubethermostatmanual.com>

Golf course search by state

<http://golfingnear.com>

Email search by domain

<http://emailbydomain.com>

Auto manuals search

<http://auto.somanuals.com>

TV manuals search

<http://tv.somanuals.com>