



TVC-1

TABLETOP STEREO VOLUME CONTROL



NILES®

Niles Audio
Corporation

www.nilesaudio.com

12331 S.W. 130 Street
Miami, Florida 33186
Tel: (305) 238-4373
Fax: (305) 238-0185

© 2004 Niles Audio Corporation. All rights reserved. Because Niles constantly strives to improve the quality of its products, Niles reserves the right to change product specifications without notice. Niles and the Niles logo are registered trademarks of Niles Audio Corporation. Printed in China 1/04 DS00356ACN

TVC-1

Tabletop Stereo
Volume Control

TABLE OF CONTENTS

Introduction	1
Features and Benefits	2
Installation Considerations	5
Installation	7
Operation	9
Specifications	10



Introduction

The TVC-1 is a tabletop volume control for speakers. It connects between the speaker-level output of an amplifier, speaker selector, etc. and a pair of speakers.

A perfect application for the TVC-1 is adjusting the volume of remotely located speakers. The TVC-1 adjusts the volume of speakers connected to it by attenuating the amplifier signal. Niles volume controls use autoformers instead of L-pads for the volume controlling element. This assures minimal internal power dissipation with virtually no power wasted as heat.

Balancing Speaker Volume

The volume control on your receiver or amplifier serves as the "master" volume for all speaker pairs connected.

The volume level of the speakers may vary from room to room. This is caused by several factors. Two lesser factors are the size of the speaker and its efficiency. The largest factor is the physical size of the room.

The best way to balance speaker volume is to equip each of the speaker pairs in your system with a Niles volume control. The controls allow you to adjust the volume of each speaker pair individually. If all the speaker pairs in your system are equipped with Niles volume controls, you can leave the amplifier or receiver volume set at one position and use the Niles controls exclusively.

SPECIFICATIONS

Audio Power Handling

100 Watts/channel
continuous music
power

Mounting

Table-top component

Wiring Requirements

Individual runs of
2-conductor speaker
wire. Connectors
accommodate wire
sizes 14-22 gauge
(16 gauge
recommended)

Overall Dimensions

8-1/2" wide x 2" high
x 7-1/4" deep

Weight

2-1/4 lbs.

Installation Considerations

Calculating the Impedance Magnification Setting

Use the following instructions to select the correct switch setting for the number and type of speakers in your system.

CAUTION! EVERY SPEAKER PAIR IN THE SYSTEM MUST BE CONNECTED TO AN IMPEDANCE-MAGNIFYING VOLUME CONTROL AND SET TO THE SAME MAGNIFICATION.

1. Count the number of pairs of speakers you are connecting to the system.
2. Set the Speaker Pairs switch on the rear panel of the TVC-1 to match the number of pairs of speakers (1, 2, 3/4, 5/6).

TVC-1 Power Handling

The TVC-1 is designed for use with a receiver or amplifier having a maximum power output of 100 watts per channel at 8 ohms. Damage caused by the use of a higher-power receiver or amplifier will void the warranty. Consult your Niles dealer, or receiver/amplifier manufacturer, if you are uncertain about the power rating of your receiver or amplifier.

7. Insert the smooth side of the connector plug into the smooth side of the socket. Don't force the scalloped side of the connector plug into the smooth side of the socket. See Figure 2.

The inputs of the TVC-1 are the connector terminals labeled "AMPLIFIER". The outputs are the connector terminals labeled "SPEAKERS". Be sure not to reverse these connections or the TVC-1 will not function properly.

8. Locate the pre-printed Room Labels. Affix the appropriate label to the recessed area next to the knob on the TVC-1.

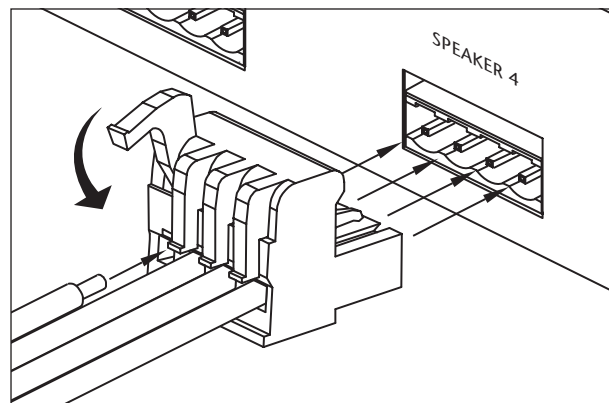
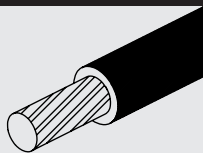


Figure 2
Connecting the
Wires

"TECH TIP"



Wire size is expressed by it's AWG (American Wire Gauge) number. The lower the AWG number, the larger the wire, i.e., 12 AWG wire is physically larger than 14 AWG.

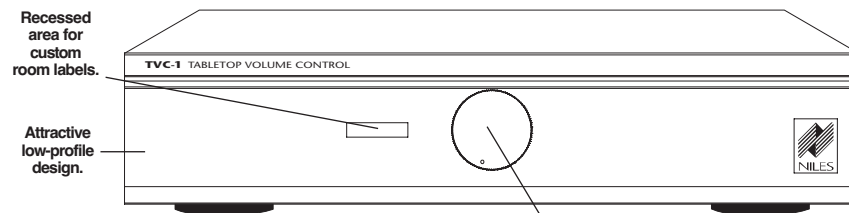
Mounting Location

Convenient mounting locations for the TVC-1 are:

- With other stereo components
- Near a desk
- At your bedside
- Close to a telephone

Installation

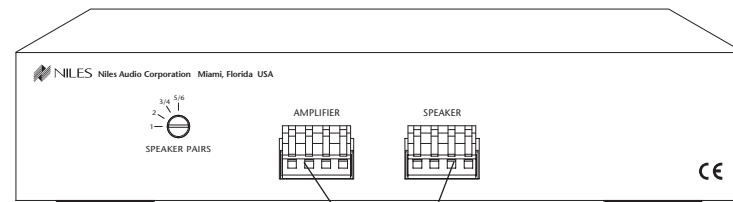
1. Select a convenient location for the TVC-1.
2. Run all the necessary wiring to the TVC-1. Label the wires for future reference. See (Figure 1).
3. Locate the connector plugs (and remove them if they are plugged in). See Figure 6.
4. Strip 1/4" of insulation from the end of each wire. Tightly twist the end of each wire until no frayed ends remain.
5. Use a small flathead screwdriver or your thumbnail to raise the locking tabs, exposing the holes on the removable connector plug.



Recessed area for custom room labels.

Attractive low-profile design.

12 position volume control provides greater attenuation than conventional 10 position designs.



Removable screwless connectors

6. Insert each wire into the appropriate hole on the removable connector plug, and snap the locking tab down.

NOTE: To help you avoid improper installation, the connector plug is keyed.

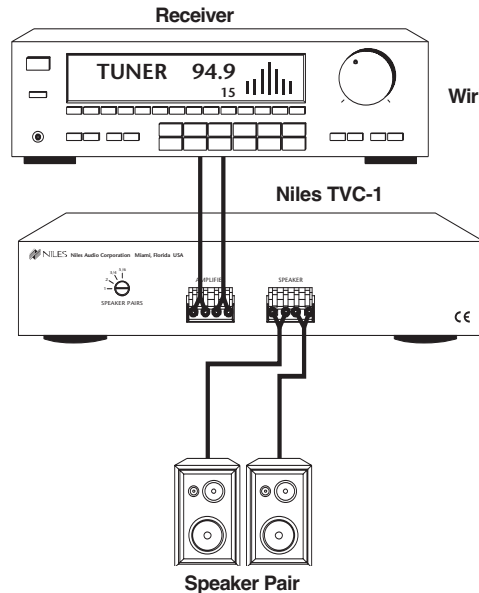


Figure 1
Wiring Diagram

Type of Speaker Wire

For most applications, we recommend you use 16 or 18 gauge, stranded copper speaker wire for the TVC-1 connections. For wiring runs longer than 80 feet, 14 gauge wire is recommended. Using speaker wire larger than 14 gauge for the TVC-1 connections is not recommended—the wire may not fit into the connectors. Never use solid-core, aluminum, or “Romex” type wire with the TVC-1. When running speaker wires inside walls, most states and municipalities in the U.S. specify that you must use a special type of speaker wire. Usually, the requirement is that the wire has a specific “CL” fire rating, such as “CL-2” or “CL-3”. Consult your Niles dealer, building contractor, or local building and inspection department if unsure about which type of wire is best for your application.

Avoiding Interference

Speaker wires can act as an “antenna” for electrical noise. Locating speaker wires too close to a light dimmer or switch may cause a “buzzing” or “popping” sound to be heard through the speakers. If you must locate the TVC-1 wiring near electrical devices, route the speaker wires several feet away from the electrical wiring.

TOOLS REQUIRED

- Wire Stripper

IMPORTANT

DO NOT use the TVC-1 with amps or receivers rated at more than 100 watts per channel RMS at 8 ohms.

Operation

1. Make sure the amplifier or receiver power is OFF and set the volume to minimum.
2. Set the TVC-1 volume to maximum (fully clockwise).
3. If you are using a Niles speaker selection system, locate the on/off button which corresponds to the speaker pair you wish to play. Set it to the ON position.
4. Turn on the amplifier or receiver and select a source, such as the tuner or CD player.
5. Slowly turn up the amplifier or receiver volume and set it to a comfortable (not maximum) listening level. Be careful not to overdrive or "clip" your amplifier. If the sound becomes muddy or distorted, you have reached the limit of your amplifier's volume capability and should quickly reduce the volume to avoid damaging your speakers.
6. Using the knob on the front of the TVC-1, adjust the volume of the speakers to the desired listening level.
7. You can turn off the speakers by turning the knob on the TVC-1 fully counter-clockwise, or by pressing the on/off button on your speaker selector.

Features and Benefits

The TVC-1 offers a number of improvements over other tabletop volume controls:

- Power handling: 100 watts per channel RMS; 200 watts peak
- Selectable impedance magnification for 1, 2, 3/4, 5/6 pairs of speakers
- Individual room on/off selector switches
- 12-step controls; 54dB maximum attenuation
- Separate left and right ground paths for compatibility with all amplifiers
- Removable screwless connectors accommodate up to 14 gauge wire
- Rugged all metal chassis construction
- Nonskid feet won't scratch furniture and ensure unit stability during operation
- 72 adhesive-backed room identification labels
- Warranty: Ten-year limited
- Dimensions: 8 1/2" wide x 2" high x 7 1/4" deep
- Shipping weight: 2 1/4 lbs

TECH SUPPORT HOTLINE

If you have questions regarding the operation of the Niles TVC-1, contact your local Niles dealer or Niles Customer Service at 1-800-289-4434.

Free Manuals Download Website

<http://myh66.com>

<http://usermanuals.us>

<http://www.somanuals.com>

<http://www.4manuals.cc>

<http://www.manual-lib.com>

<http://www.404manual.com>

<http://www.luxmanual.com>

<http://aubethermostatmanual.com>

Golf course search by state

<http://golfingnear.com>

Email search by domain

<http://emailbydomain.com>

Auto manuals search

<http://auto.somanuals.com>

TV manuals search

<http://tv.somanuals.com>