

GD 930 & GD 930S2



INSTRUCTION FOR USE
BETRIEBSANLEITUNG
INSTRUCTIONS D'UTILISATION
INSTRUCCIONES DE MANEJO
INSTRUÇÕES DE OPERAÇÃO
ISTRUZIONI SULL'USO
GEBRUIKSAANWIJZING
BRUKSANVISNING
DRIFTSINSTRUKS
DRIFTSVEJLEDNING
KÄYTTÖOHJE

CE

822 9393 000
P01

Printed in Hungary

 **Nilfisk**
setting standards

CONTENTS


WEEE	3
ENGLISH	6-7
Electrical connections for UK. only	8-9
FRANÇAIS	10-11
DEUTSCH	12-13
ESPAÑOL	14-15
ITALIANO	16-17
PORTUGUÊS	18-19
NEDERLANDS	20-21
SVENSKA	22-23
NORSK	24-25
DANSK	26-27
SUOMEKSI	28-29



www.nilfisk.com


WEEE - WASTE OF ELECTRIC AND ELECTRONIC EQUIPMENT




The symbol  on the product or on its packing indicates that this product may not be treated as household waste. Instead it shall be handed over to the applicable collection point for the recycling of electrical and electronic equipment. By ensuring this product is disposed of correctly, you will help prevent potential negative consequences for the environment and human health, which could otherwise be caused by inappropriate waste handling of this product.

For more detailed information about recycling of this product, please contact your local city office, your household waste disposal service or the shop where you purchased the product.




Le symbole  sur le produit ou sur son emballage indique que ce produit ne doit pas être traité comme un déchet ménager. Il doit au contraire être remis au point de collecte correspondant pour le recyclage du matériel électrique et électronique. En procédant de cette manière, vous aiderez à prévenir les conséquences potentiellement négatives pour l'environnement et la santé humaine que pourrait causer un traitement inadéquat du rejet de ce produit. Pour plus ample information sur le recyclage de ce produit, veuillez prendre contact avec votre bureau municipal, votre service de collecte de déchets ménagers ou le magasin où vous avez acheté le produit.




El símbolo  que aparece en el producto o en su embalaje indica que este producto no puede ser tratado como residuos domésticos. En su lugar, debe ser entregado en el correspondiente punto de recogida para el reciclado de equipos eléctricos y electrónicos. Al garantizar la adecuada eliminación de este productos, ayudará a evitar las posibles consecuencias negativas para el medio ambiente y la salud de las personas que se producirían a causa de una inadecuada manipulación de los residuos de este producto. Para obtener información más detallada acerca del reciclaje de este producto, póngase en contacto con la oficina local de su ciudad, el servicio de recogida de residuos domésticos o el establecimiento en el que ha adquirido el producto.




Symbolet  på produktet eller emballasjen indikerer at dette produktet ikke kan behandles som husholdningsavfall. I stedet skal det leveres til aktuelt innsamlingspunkt for resirkulering av elektrisk og elektronisk utstyr. Ved å sørge for at dette produktet kasseres korrekt, bidrar du til å forebygge mulige negative følger for miljøet og folks helse, hvilket ellers kan forårsakes ved feilaktig avfallshåndtering av dette produktet. For nærmere informasjon om resirkulering av dette produktet, vennligst kontakt din lokale representant, renholdsverket eller butikken der du kjøpte produktet.




Tuotteessa tai pakkauksessa oleva symboli  ilmaisee, että tuotetta ei voi hävittää talousjätteen mukana. Sen sijaan tuote on vietävä sähköisten ja elektronisten laitteiden kierrätykseen tarkoitettuun keräyspisteeseen. Kun huolehdit tuotteen asianmukaisesta hävittämisestä, autat edistämään ympäristön ja ihmisten hyvinvointia, jonka tuotteen virheellinen hävittäminen voi vaarantaa. Lisätietoja tämän tuotteen kierrättämisestä saat jätteenkäsittelypisteistä tai samasta liikkeestä, josta ostit tuotteen.




Das Symbol  auf dem Produkt bzw. auf der Produktverpackung deutet an, dass das Produkt nicht mit dem Haushaltsmüll entsorgt werden darf. Stattdessen ist es zur Entsorgung an eine geeignete Sammelstelle für das Recycling von elektrischen und elektronischen Geräten zu bringen. Durch die korrekte Entsorgung helfen Sie mit, potenziellen negativen Einflüssen auf die Umwelt und die Gesundheit vorzubeugen, die durch eine unangemessene Entsorgung dieses Produktes entstehen könnten. Genauere Informationen zur Wiederverwertung dieses Produktes erhalten Sie von Ihrer Stadtverwaltung, der Müllabfuhr vor Ort oder dem Geschäft, in dem Sie dieses Produkt erworben haben.



Símbolo  no produto ou na embalagem indica que esse produto não deve ser tratado como um resíduo doméstico. Ao contrário, deve ser levado ao local de recolha adequado para a reciclagem de equipamentos electroelectrónicos. Ao se assegurar que o tratamento deste equipamento foi adequado, estará a ajudar a prevenir consequências potenciais ao meio ambiente e à saúde humana que poderiam ser causadas pelo manejo inapropriado do produto. Para mais informações sobre a reciclagem deste produto, entre em contacto com as autoridades locais, com o órgão responsável pela recolha de lixo ou a loja onde o produto foi adquirido.




Il simbolo  sul prodotto o sulla confezione indica che questo prodotto non può essere smaltito fra i rifiuti domestici. Deve invece essere consegnato a un centro di raccolta autorizzato per il riciclaggio dei dispositivi elettrici ed elettronici. Smaltendo questo prodotto in modo corretto, si contribuisce a ridurre l'impatto ambientale e sull'uomo. Per maggiori informazioni sul riciclaggio di questo prodotto, contattare il proprio comune, il centro di raccolta dei rifiuti urbani locale o il rivenditore.




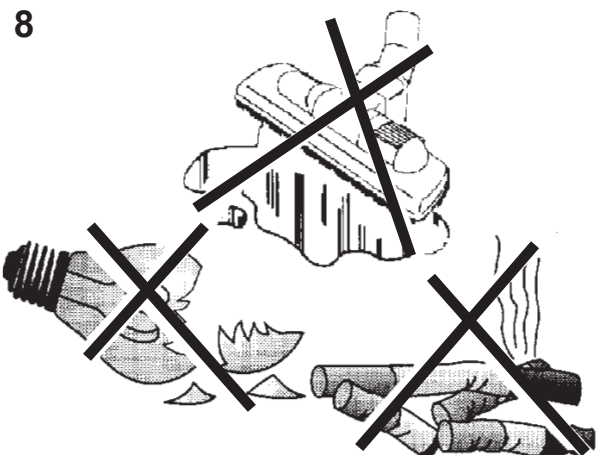
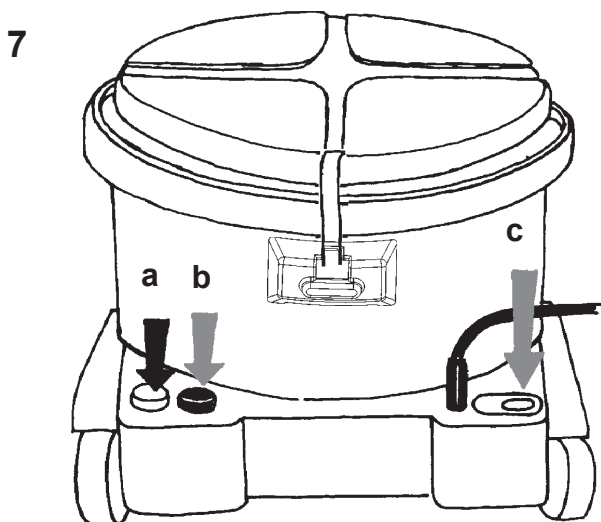
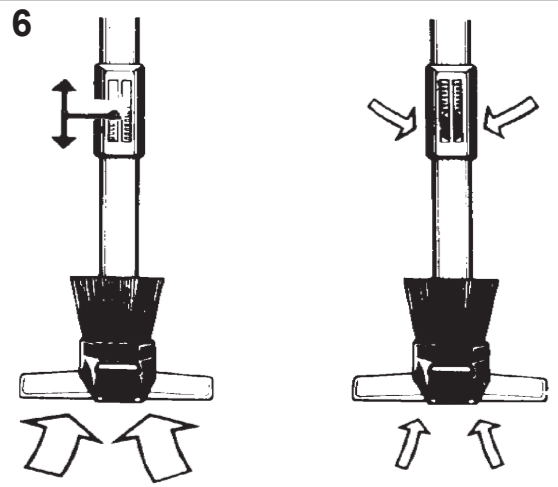
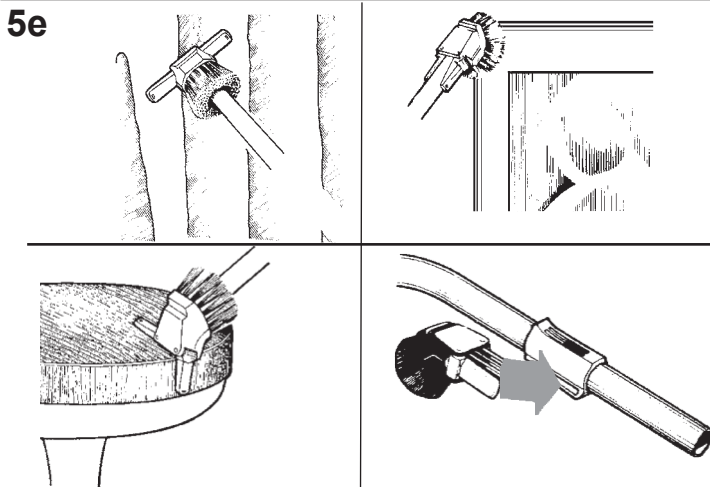
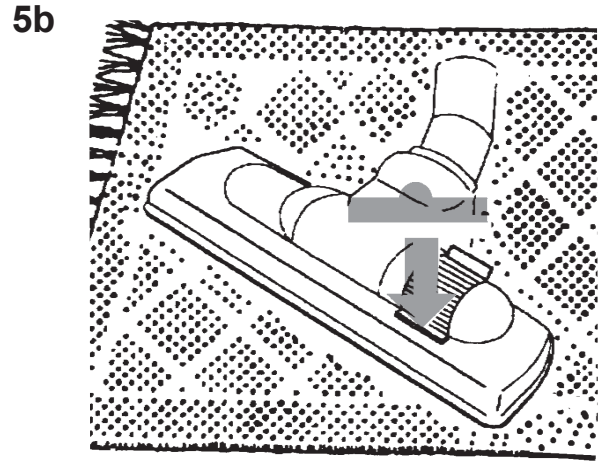
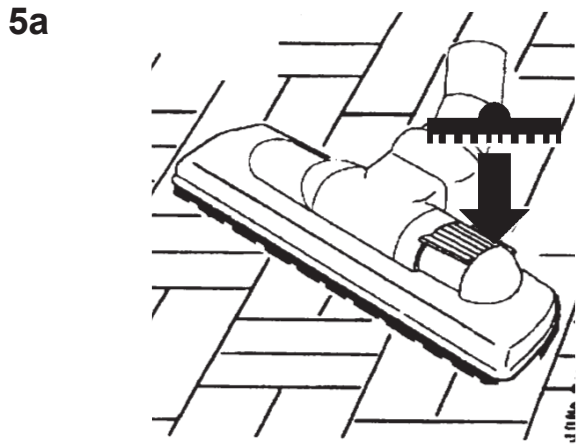
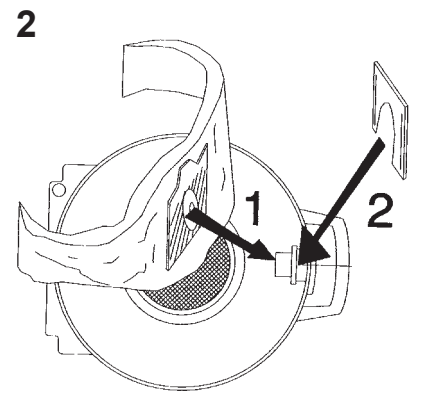
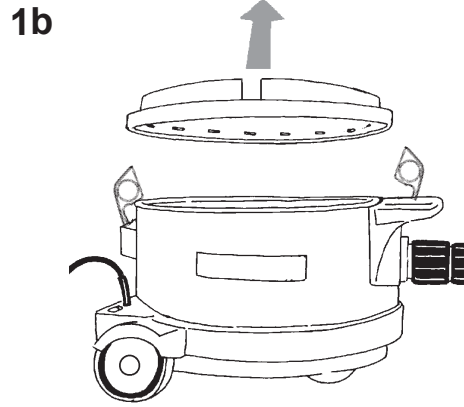
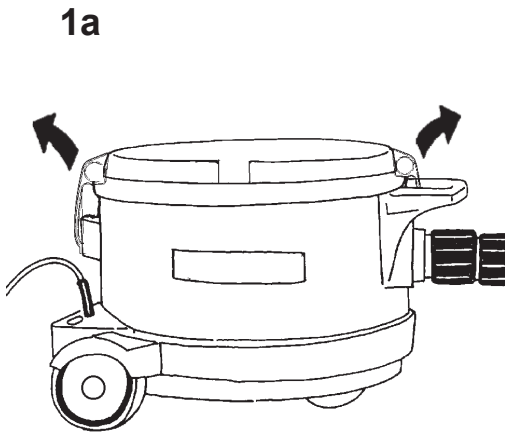
Het symbool  op het product of de verpakking geeft aan dat dit product niet als huishoudelijk afval mag worden behandeld. Het apparaat moet bij een verzamelpunt voor het recyclen van elektrische en elektronische apparatuur worden ingeleverd. Door dit product op de juiste manier af te danken, helpt u bij het voorkomen van mogelijke negatieve consequenties voor het milieu en de menselijke gezondheid. Deze zouden kunnen ontstaan als dit product niet op de juiste manier wordt behandeld. Voor uitgebreide informatie over het recyclen van dit product kunt u contact opnemen met uw plaatselijke stadskantoor, uw afvalverwerkingsdienst of de winkel waar u het product hebt gekocht.

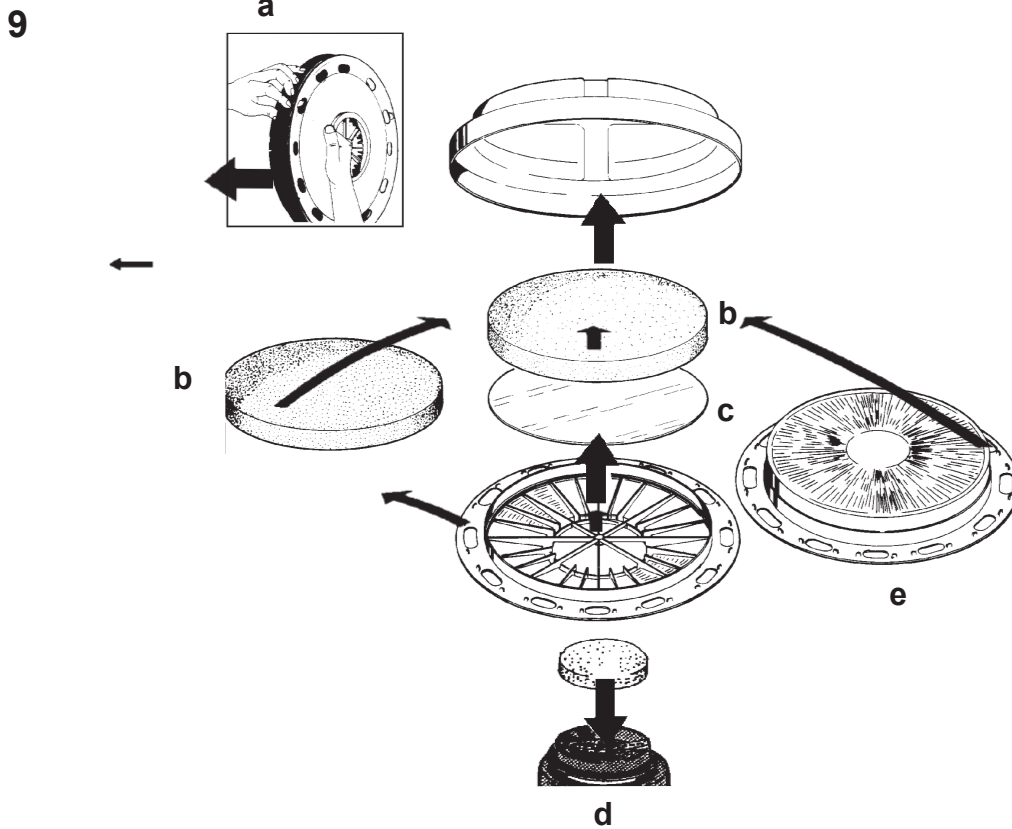
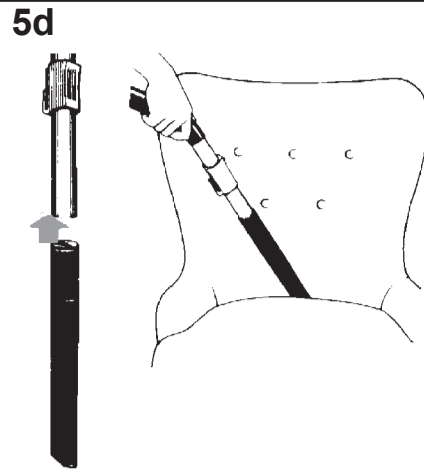
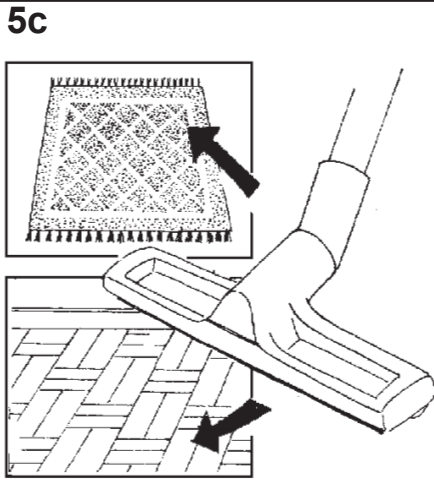
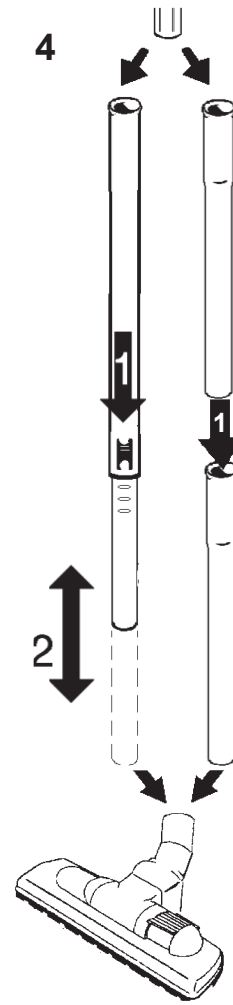
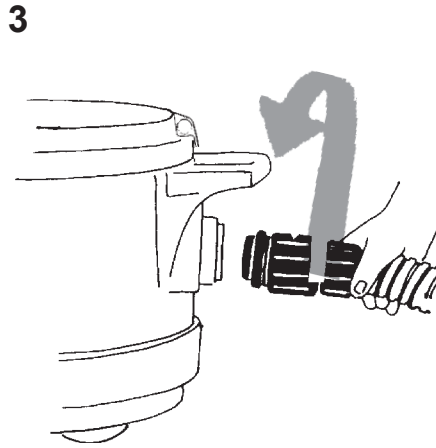
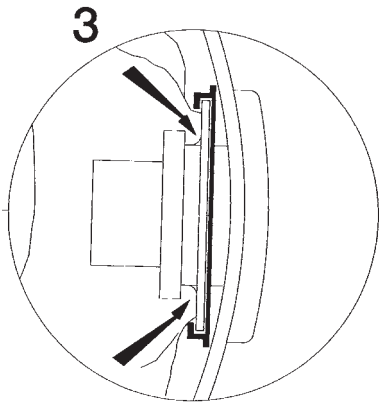


Symbolet  på produkten eller emballaget anger att produkten inte för hanteras som hushållsavfall. Den skall i stället lämnas in på uppsamlingsplats för återvinning av el- och elektronikkomponenter. Genom att säkerställa att produkten hanteras på rätt sätt bidrar du till att förebygga eventuellt negativa miljö- och hälsoeffekter som kan uppstå om produkten kasseras som vanligt avfall. För ytterligare upplysningar om återvinning bör du kontakta lokala myndigheter, sophämtningstjänst eller affären där du köpte varan.



Symbolet  som findes på produktet eller emballagen, viser, at produktet ikke må bortskaffes sammen med almindeligt husholdningsaffald. Det skal derimod afleveres på en miljøstation, som er godkendt til håndtering af elektrisk og elektronisk udstyr. Sørg for at bortskaffe produktet korrekt, så du kan være med til at forebygge skader på miljøet og menneskers sundhed. Hvis du ønsker yderligere oplysninger om, hvordan produktet genvindes, kan du henvende dig hos kommunen, en miljøstation eller forretningen, hvor du købte produktet.





IMPORTANT SAFEGUARDS

This vacuum cleaner can be used for household or commercial use. Accidents due to misuse can only be prevented by those using the machine. When using an electrical appliance, basic precautions should always be followed, including the following:
READ AND FOLLOW ALL SAFETY INSTRUCTIONS.

WARNING!

To reduce the risk of fire, electric shock, or injury, please read and follow all safety instructions and caution markings before use.

This vacuum cleaner is designed to be safe when used to for cleaning functions as specified. Should damage occur to electrical or mechanical parts, the cleaner and / or accessory should be repaired by the manufacturer or competent service station before use in order to avoid further damage to the machine or physical injury to the user.

- Do not use outdoors or on wet surfaces.
- Disconnect the cleaner before servicing and when not in use. Do not leave the cleaner plugged in unattended.
- Do not use with damaged cord or plug. To unplug grasp the plug, not the cord. Do not handle plug or cleaner with wet hands. Turn off all controls before unplugging.
- Do not pull or carry by cord, use cord as a handle, close a door on cord, or pull cord around sharp edges or corners.
Do not run cleaner over cord. Keep cord away from heated surfaces.
- Keep hair, loose clothing, fingers and all parts of the body away from openings and moving parts. Do not put any objects into openings or use with opening blocked. Keep openings free of dust, lint, hair, and anything else that could reduce the flow of air.
- Do not pick up anything that is burning or smoking, such as cigarettes, matches, or hot ashes.
- Use extra care when using on stairs.
- Do not use to pick up flammable or combustible liquids such as gasoline, or use in areas where they may be present.
- This appliance is not to be used by children or persons with reduced physical, sensory or mental capabilities, or lack of experience and knowledge, unless they have been given supervision or instruction. Children must be supervised not to play with the appliance.
- Caution: Do not pick-up hazardous material without Hepa-filter mounted.
- All contact with the machine, dustbag, filter and all other accessories used when picking-up hazardous materials should be handled according to the regulations valid for the vacuumed material.

- Do not use the machine unless filters are fitted.
- If the cleaner is not working properly or has been dropped, damaged, left outdoors, or dropped into water, return it to a service center or dealer.
- Use only as described in this manual and only with the manufacturer's recommended attachments.
- The use of this machine in conjunction with the pick-up of hazardous materials (such as asbestos) has not been investigated by Underwriters laboratories Inc.
- BEFORE YOU PLUG IN YOUR CLEANER, check the rating plate to see if the rated voltage agrees within 10% of the voltage available.
- This appliance is provided with double insulation. Use only identical replacement parts. See instructions for servicing of double insulated appliances.

SERVICING DOUBLE-INSULATED APPLIANCES

In a double-insulated appliance, two systems of insulation are provided instead of earthing. No earthing means is provided on a double-insulated appliance, nor should a means for earthing be added to the appliance. Servicing a double-insulated appliance requires extreme care and knowledge of the system, and should be done only by qualified service personnel. Replacement parts for a double-insulated appliance must be identical to the parts they replace. A double insulated appliance is marked with the words

"DOUBLE INSULATION" or "DOUBLE INSULATED."

The symbol (square within a square) may also be used on the product.



Noise level according to BS 5415:

GD 930	53 dB(A)
GD 930 S2 reduced speed	45 dB(A)
GD 930 S2 full speed	53 dB(A)

Noise level with the nozzle against the floor according to IEC 704:

GD 930	76 dB(A)
GD 930 S2 reduced speed	71 dB(A)
GD 930 S2 full speed	76 dB(A)

Specifications and details are subject to change without prior notice.

The accessories shown in the pictures may vary from model to model.

This appliance conforms with EC-Directive 89/336/EEC, EEC, 93/31/EEC, 73/23/EEC, 93/68/EEC.

SAVE THIS INSTRUCTION

1. To open

- a) Loosen the two snap lockings by pulling them outwards
- b) Lift the cover from the container.

2. Dust bag

Fit the opening on the dust bag over the air inlet. Press the membrane over the flanged edge on the inlet. Secure with the lock washer. Use only original dust bags.

3. Hose connection

Push the hose coupling all the way in and turn clockwise.

4. Wand assembly

Standard: Fit the sections together and twist to lock in place.

Telescopic: Push down the catch and then adjust the length. Max.950mm,min.630mm.

5. Tools

The accessories shown in the pictures may vary from model to model.

a-b)Combination nozzle

Adjust the nozzle according to the requirements of the floor you are cleaning. Work with the brush on hard floors and without it on soft floors.

c) Universal nozzle

for both hard floors and carpets.

d)Crevice nozzle

Use to clean furniture, radiators and others hard-to-reach places.

e)Small combi-nozzle:

The small combi-nozzle combines a dusting brush for furniture, picture frames, mouldings etc. with a fold-out nozzle for cleaning curtains, furniture and other soft surfaces. The clip on the hose handle holds the nozzle when it is not in use.

6. Suction control

The suction control in the hose handle lets you regulate the air-flow to prevent the nozzles from fastening to the surfaces you are vacuum cleaning.

7. Start/Stop

- a)Foot-operated on/off switch.
 - b)On the S2 version a separate switch is provided to change the motor speed .
 - c)Plug-in point for powered carpet nozzle.
- Power is supplied to the socket when the machine is switched on.

8. Warning!

Never attempt to vacuum liquid, glass fragments or ashes!

Wet surfaces can expose the operator to possible electrical shock.

9. Filter

The filters are located inside the lid. To reach them lift out the filter holder(a). The standard filter(b) and fine filter (c) should be inspected at regular intervals,e.g. when you change dust bags, and replace if necessary.Instead of these two filters you can fit a micro filter of HEPA-quality (e), which traps 99,99% of all particles larger than 0,3 microns. The machine is also fitted with a backup filter (d) located above the motor. This filter should also be inspected and replaced if necessary.

IMPORTANT!


The GD 930/S2 is equipped with a specially designed cable, which if damaged, must be replaced by a cable of the same type. These cables are available at authorized service shops and must be installed by trained personnel.

The GD 930/S2 is equipped with a thermal cut-out to protect the motor and other vital machine parts from overheating. Should the machine cut out, you will have to wait at least 5-10 minutes for it to automatically reset. While you are waiting, switch the machine off and unplug it, then check the hose, dust bag and filters to be sure that nothing is blocking the flow of air through the machine.

NB!

Remove the plug from the socket before performing service or maintenance.



The symbol  on the product or on its packing indicates that this product may not be treated as household waste. Instead it shall be handed over to the applicable collection point for the recycling of electrical and electronic equipment. By ensuring this product is disposed of correctly, you will help prevent potential negative consequences for the environment and human health, which could otherwise be caused by inappropriate waste handling of this product. For more detailed information about recycling of this product, please contact your local city office, your household waste disposal service or the shop where you purchased the product.

PLEASE READ THESE ESSENTIAL INSTRUCTIONS

(Only applicable to UK)

GD 930/S2 are designed, developed and rigorously tested to function efficiently and safely when properly maintained and used in accordance with the following instructions. These instructions have been prepared with safety and efficiency paramount.

The **MACHINE OPERATOR** must be trained by a suitably qualified instructor, and be made aware of the relevant regulations and legislation currently in force at the time of use.

CAUTION - This machine **MUST NOT** be used in explosive or inflammable atmospheres or where such atmospheres are likely to be produced by the presence of volatile liquid or inflammable gas or vapour.

CAUTION - In no circumstances should the power supply cord be wrapped around fingers or any part of the operators person.

CAUTION - The electrical supply plug must not be subjected to undue stress by pulling on the power supply cord.

Your MACHINE must only be connected to an electrical supply of the same voltage and frequency as indicated on the rating plate. Ensure that the plug fitted to the end of the power supply cord is suitable for your supply socket, if not refer to the information contained in 'Electrical Connections', or consult a qualified electrician. The electrical installation from which the supply is drawn must be maintained to current Institute of Electrical Engineers wiring regulations.

REGULAR SERVICING and INSPECTION of your machine must be carried out by suitably qualified personnel in accordance with relevant legislation and regulations. In particular, electrical tests for earth continuity, insulation resistance, and condition of the flexible cord should be checked frequently. In the event of any defect the machine **MUST** be withdrawn from service, completely checked and repaired.

Trained Service Engineers will be pleased to carry out on site servicing on a regular or as requested basis, to ensure the continuing safety and efficiency of your machine.

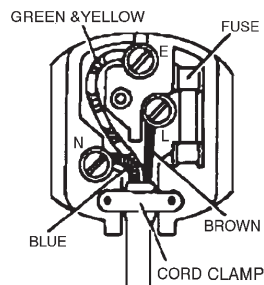
ELECTRICAL CONNECTIONS

(Only applicable to UK)

GROUNDING MACHINES IMPORTANT

240 volt 50 Hz. machines are fitted with a 13 amp. 3 pin moulded plug. the plug is fitted with a 7 amp. detachable fuse. The correct replacement for the fuse is identified by marking or colour coding. Only fuses that are ASTA approved to BS 1362 should be fitted. Never use the plug without the fuse cover fitted. Replacement fuse covers are available at any electrical retail outlet. If the available socket outlet is not suitable for the plug supplied, the plug must be cut off and an appropriate plug fitted. The plug thus cut off **MUST BE DESTROYED** for safety reasons before being disposed of. Machines built for other voltages and frequencies are not normally supplied with a fitted plug. If it is necessary to fit a plug, the wires in this power supply cord are coloured in accordance with the following code:

GREEN & YELLOW-EARTH
BLUE-NEUTRAL
BROWN-LIVE



To connect the new plug:

The wire which is coloured green & yellow must be connected to the terminal in the plug which is marked with the letter 'E' or by the safety earth symbol or coloured green or green & yellow. The wire which is coloured blue must be connected to the terminal in the plug which is marked with the letter 'N' or is coloured black or blue. The wire which is coloured brown must be connected to the terminal in the plug which is marked with the letter 'L' or is coloured red or brown. If the plug to be fitted does not conform to the above notation then consult a qualified electrician.



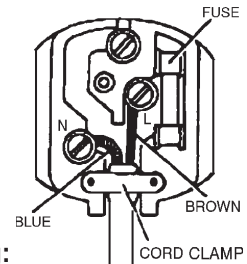
DOUBLE-INSULATED MACHINES IMPORTANT

240 volt 50 Hz. machines are fitted with a 13 amp. 3 pin moulded plug. the plug is fitted with a 13 amp. detachable fuse. The correct replacement for the fuse is identified by marking or colour coding. Only fuses that are ASTA approved to BS 1362 should be fitted. Never use the plug without the fuse cover fitted. Replacement fuse covers are available at any electrical retail outlet.

If the available socket outlet is not suitable for the plug supplied, the plug must be cut off and an appropriate plug fitted. The plug thus cut off **MUST BE DESTROYED** for safety reasons before being disposed of. Machines built for other voltages and frequencies are not normally supplied with a fitted plug.

If it is necessary to fit a plug, the wires in this power supply cord are coloured in accordance with the following code:

BLUE-NEUTRAL
BROWN-LIVE



To connect the new plug:

If using a three-pin plug, do not make any connection to the terminal in the plug which is marked with the letter 'E' or by the safety earth symbol or coloured green or green & yellow. This machine is double-insulated and no earth connection is necessary.

The wire which is coloured blue must be connected to the terminal in the plug which is marked with the letter 'N' or is coloured black or blue.

The wire which is coloured brown must be connected to the terminal in the plug which is marked with the letter 'L' or is coloured red or brown.

If the plug to be fitted does not conform to the above notation then consult a qualified electrician.

IMPORTANTES MESURES DE SÉCURITÉ

Cet aspirateur est à usage domestique ou commercial. L'utilisation d'un appareil électrique demande certaines précautions: LIRE TOUTES LES INSTRUCTIONS AVANT DE FAIRE FONCTIONNER CET APPAREIL

AVERTISSEMENT!

Cet aspirateur peut être utilisé en toute sécurité si l'on suit les instructions données. En cas de dommage aux composants électriques ou mécaniques, l'appareil et/ou les accessoires doivent être réparés par le fabricant ou par un réparateur compétent avant tout nouvel usage, afin d'éviter de détériorer l'appareil ou de blesser l'utilisateur.

Pour réduire les risques d'incendie, de choc électrique ou de blessure:

- Ne pas utiliser à l'extérieur et ne pas aspirer de matières humides.
- Ne pas laisser l'appareil sans surveillance lorsqu'il est branché. Le débrancher lorsque l'appareil n'est pas utilisé et avant l'entretien.
- Ne pas utiliser si le cordon ou la fiche est endommagé. Retourner l'appareil à un atelier de réparation s'il ne fonctionne pas bien, s'il est tombé ou s'il a été endommagé, oublié à l'extérieur ou immergé.
- Ne pas tirer, soulever ou traîner l'appareil par le cordon. Ne pas utiliser le cordon comme une poignée, le coincer dans l'embrasure d'une porte ou l'appuyer contre des arêtes vives ou des coins. Ne pas faire rouler l'appareil sur le cordon. Garder le cordon à l'écart des surfaces chaudes.
- Ne pas débrancher en tirant sur le cordon. Tirer plutôt la fiche.
- Ne pas toucher la fiche ou l'appareil lorsque vos mains sont humides.
- Attention! Ne jamais aspirer des matières toxiques sans filtre Hepa. (en option)
- Pour manier l'appareil, le sac à poussières, le filtre et tous les accessoires après l'aspiration de substances dangereuses, procéder conformément aux dispositions de la loi en vigueur prévues pour les substances aspirées.
- Maintenir les cheveux, les vêtements amples, les doigts et toutes les parties du corps à l'écart des ouvertures et des pièces mobiles.
- N'insérer aucun objet dans les ouvertures. Ne pas utiliser l'appareil lorsqu'une ouverture est bloquée. S'assurer que de la poussière, de la peluche, des cheveux ou d'autres matières ne réduisent pas le débit d'air.
- Ne pas aspirer de matières en combustion ou qui dégagent de la fumée, comme des cigarettes, des allumettes ou des cendres chaudes.
- Ne pas aspirer des liquides inflammables ou combustibles, comme de l'essence, et ne pas fonctionner dans des endroits où peuvent se trouver de tels liquides.
- Cet appareil ne doit pas être utilisé par des enfants ou des personnes dont les capacités physiques, sensorielles ou mentales sont altérées. De même, les personnes n'ayant pas les connaissances et l'expérience requises ne sont autorisées à se servir de cet appareil que sous la supervision ou après avoir reçu les instructions requises par des personnes dûment habilitées. Ne laissez pas les enfants jouer avec cet appareil.

- Ne pas permettre aux enfants de jouer avec l'appareil. Une attention particulière est nécessaire lorsque l'appareil est utilisé par des enfants ou à proximité de ces derniers.
- N'utiliser l'appareil que conformément à cette notice et avec les accessoires recommandés par le fabricant.
- Ne pas utiliser l'appareil si le sac à poussière ou le filtre n'est pas en place.
- Mettre toutes les commandes sur la position ARRÊT avant de débrancher l'appareil.
- User de prudence lors de nettoyage des escaliers.
- AVANT DE BRANCHER L'ASPIRATEUR SUR RÉSEAU, consultez la plaque signalétique derrière l'appareil pour vous assurer que son voltage correspond, dans une limite de 10%, au voltage disponible.
- Cet appareil est muni d'une double isolation. N'utiliser que des pièces de rechange identiques aux pièces d'origine. Voir les instructions visant l'entretien des appareils à double isolation.

ENTRETIEN DES APPAREILS À DOUBLE ISOLATION

Dans un appareil à double isolation, deux isolations distinctes remplacent la mise à la terre. L'appareil n'est pourvu d'aucun dispositif de mise à la terre et un tel dispositif ne doit pas être ajouté. L'entretien d'un appareil à double isolation demande beaucoup de soins ainsi qu'une bonne connaissance du système et ne doit être effectué que par un technicien d'entretien qualifié. Les pièces de rechange d'un appareil à double isolation doivent être identiques aux pièces originales. Un appareil à double isolation porte le marquage "**DOUBLE ISOLATION**". Le symbole - (carré dans un carré) peut

aussi figurer sur l'appareil



Pression sonore BS 5415dB(A)

GD 930	53 dB(A)
GD 930 S2	45 dB(A)
GD 930 S2 máxima	53 dB(A)

Puissance sonore IEC 704 2.1 dB(A)

GD 930 S	76 dB(A)
GD 930 S2	71 dB(A)
GD 930 S2 máxima	76 dB(A)

Avant toute opération d'entretien ou réparation sur l'aspirateur toujours le débrancher de sa source d'électricité.

Les caractéristiques et les détails peuvent être modifiés sans avertissement préalable.

Cet appareil est conforme à la directive CEE 89/336, CEE93/31/, CEE73/23, CEE93/68.

CONSERVER CES INSTRUCTIONS

1. Ouvrir

Tirer les colliers de fermeture(a) et soulever le couvercle (b).

2. Mise en place du sac

Présenter l'ouverture du sac sur la bouche d'aspiration. Ajuster la membrane par dessus le bourrelet de la bouche d'aspiration et la fixer avec le clip de sac. N'utiliser que des sacs d'origine.

3. Fixation du flexible

Enfoncer le raccord de flexible et tourner dans le sens aiguilles d'une montre.

4. Assemblage des tubes rallonges en aluminium

Pour raccorder les deux parties du tube, simplement insérer une moitié dans l'autre en poussant fermement.

Tube télescopique:

Votre tube télescopique est livré sur sa longueur minimum, vous devez donc l'adapter à vos besoins (voir dessin).

Pour l'aspiration des marches d'escalier, vous assurer que le tube est sur sa longueur minimum.

5. Accessoires

Attention: Certains accessoires optionnels figurant sur les schémas ne sont pas fournis avec l'aspirateur.

a-b) Suceur combiné: avec bouton de réglage. D'un côté la brosse (pour les sols durs), de l'autre, brosse désactivée (pour glisser sur la moquette).

c) Suceur universel: pour sols durs et moquette

d) Suceur long: est destiné à l'aspiration de tous les endroits difficiles d'accès, radiateurs, coins, derrière les meubles.

e) Brosse Combinée: l'accessoire idéal, pour le nettoyage des lampes, étagères, bibliothèques et tableaux. La poignée du flexible comporte un support pratique destiné à ranger cette brosse.

6. Réglage de la puissance d'aspiration sur la poignée du flexible

En position basse (fermé) la puissance d'aspiration est maximale. En faisant glisser la languette vers soi, on peut diminuer la puissance de l'aspiration.

7. Marche/Arrêt

a) Commande au pied marche/arrêt

b) Demi-/pleine vitesse (seulement GD 930S2)

Quand le bouton est enfoncé, la machine fonctionne à plein régime. Quand il est relâché, la machine fonctionne à demi-vitesse.

c) La prise pour brosse électrique est alimentée lors de la mise en marche de l'aspirateur.

8. Attention!

Ne jamais aspirer des liquides, cendres ou débris de verre!

9. Filtres

Le filtre est placé dans le couvercle. On y accède en soulevant le porte-filtre comme indiqué sur la figure (a) puis en enlevant celui-ci.

La figure (b) montre le filtre standard, la figure (c) le filtre fin. Vérifier ces filtres régulièrement, par exemple en changeant le sac à poussière, et les remplacer au besoin.

Au lieu de ces deux filtres, on peut utiliser un micro-filtre de type **HEPA (e)**. Ce filtre élimine de l'air d'extraction 99,99% des particules supérieures à 0,3 µ. (En option)

La machine est en outre équipée d'un filtre catastrophe (d) placé au-dessus de la partie moteur. Il convient de le vérifier, et éventuellement le remplacer, en même temps que le sac à poussière.


IMPORTANT

Cet appareil est muni d'un câble de type spécial. En cas d'endommagement de celui-ci, il doit être remplacé par un câble de même type. Les câbles sont disponibles dans tous les centres service agréés et doivent être changés par un technicien compétent.

Cet aspirateur est muni d'un rupteur thermique pour protéger les composants contre la surchauffe. Si ce rupteur thermique arrête l'aspirateur, attendre de 5 à 10 minutes et l'aspirateur se remet automatiquement en marche. Pendant ce temps vérifier le flexible, le sac et le filtre. Déboucher éventuellement le flexible, remplacer le sac s'il est plein ou remplacer le filtre s'il est colmaté.

Avant toute opération d'entretien ou réparation sur l'aspirateur toujours le débrancher de sa source d'électricité.



Le symbole  sur le produit ou sur son emballage indique que ce produit ne doit pas être traité comme un déchet ménager. Il doit au contraire être remis au point de collecte correspondant pour le recyclage du matériel électrique et électronique. En procédant de cette manière, vous aiderez à prévenir les conséquences potentiellement négatives pour l'environnement et la santé humaine que pourrait causer un traitement inadéquat du rejet de ce produit. Pour plus ample information sur le recyclage de ce produit, veuillez prendre contact avec votre bureau municipal, votre service de collecte de déchets ménagers ou le magasin où vous avez acheté le produit.

WICHTIGER HINWEIS

ACHTUNG!

Um das Risiko von Feuer, Stromstößen oder anderen Schäden zu verhindern, vor der Anwendung des Gerätes alle Sicherheitsinstruktionen und Warningshinweise lesen.

- Dieses Gerät ist sowohl für den privaten Hausgebrauch als auch zur berufsmäßigen Verwendung geeignet.
- Bei Nichtgebrauch, das Gerät nie eingesteckt lassen
- Das Gerät ist kein Spielzeug. Beim Gebrauch durch Kinder oder wenn sich Kinder in der Nähe aufhalten wird um Vor sicht gebeten.
- Gerät bitte nur gemäß Bedienungsanleitung benutzen und nur durch autorisierte Servicetechniker reparieren lassen. Bitte nur Original-Ersatzteile und durch den Hersteller empfohlenes Zubehör verwenden. Versuchen Sie nie, das Gerät in irgendwelcher Weise abzuändern, umzubauen usw.
- Filter müssen in regelmäßigen Abständen ausgetauscht werden. Gerät nie ohne Filter benutzen.
- Warnung! Gesundheitsschädliche Stoffe niemals ohne montierten Hepa-Filter aufsaugen.
- Zur Handhabung des Geräts, des Staubbeutels, des Filters bzw. sonstiger Zubehörteile müssen nach dem Einsaugen von Gefahrstoffen die jeweils geltenden Gefahrstoffverordnungen eingehalten werden.
- Gerät nie mit defektem Kabel oder Stecker verwenden. Wenn das Gerät nicht richtig funktioniert, beispielsweise durch Hinunterfallen, Beschädigung allgemeiner Art, Aufbewahrung im Freien, Fall ins Wasser, unbedingt bei einer kompetenten Servicestelle abgeben.
- Gerät nie am Kabel ziehen oder tragen. Kabel nicht in der Tür einklemmen oder um scharfe Kanten und Ecken ziehen. Kabel nicht in der Nähe von heißen Gegenständen liegen lassen
- Beim Herausziehen immer am stecker und niemals am kabel ziehen.
- Keine Flüssigkeiten aufsaugen. Das Gerät nicht in feuchter Umgebung verwenden. Gerät oder Stecker nicht mit feuchten Händen berühren. Für die Reinigung des Gerätes nur trockene Lappen benutzen, Gerät immer abschalten und ausstecken.
- Keine brennenden, glühenden, rauchen - den Gegenstände wie Zigaretten, Streichhölzer, heiße Asche oder entzünd bare Flüssigkeiten und Gase einsaugen.
- Keine scharfkantigen Gegenstände wie Glassplitter,
- Dieses Gerät dürfen Kinder oder Personen mit verringerten physischen, sensorischen oder mentalen Fähigkeiten oder mit fehlenden Erfahrungen erst benutzen, wenn sie zuvor eingewiesen worden sind. Kinder müssen beim Spielen mit dem Gerät beaufsichtigt werden.

Nägel usw.einsaugen. Diese könnten den Staubbeutel beschädigen.

- Bevor Sie den Stecker herausziehen, alle Funktionen ausschalten.
- Gerät nicht an Orten benutzen, wo leicht entzünd oder brennbare Gase oder Flüssigkeiten präsent sind.
- Vor dem Auswechseln des Zubehörs das Gerät immer ausschalten.
- Bei treppenreinigung vorsichtig vorgehen.
- Gerät nicht in der Nähe leicht entzünd-oder brennbarer Gase bzw. Flüssigkeiten benutzen.

SERVICE VON DOPPELT ISOLIERTEN GERÄTEN

In einem doppelt isoliertem Gerät wird eine doppelte Isolierung anstatt einer Erdung verwendet.

Ein doppelt isoliertes Gerät ist nicht geerdet und darf auch im Nachhinein nicht geerdet werden.

Der Service eines doppelt isolierten Gerätes verlangt extreme Sorgfalt und Kenntnis dieses Systems. Er sollte nur durch qualifiziertes Servicepersonal vorgenommen werden.

Defekte Teile eines doppelt isolierten Gerätes müssen durch identische ersetzt werden.

Das Symbol (Quadrat in einem Quadrat) ist auf dem Typenschild vermerkt.



Schalleistung gemäß BS 5415:

GD 930	53 dB(A)
GD 930 S2 halbe Leistung	45 dB(A)
GD 930 S2 volle Leistung	53 dB(A)

Schalleistung mit der Düse am Fußboden gemäß IEC 704:

GD 930 S	76 dB(A)
GD 930 S2 halbe Leistung	71 dB(A)
GD 930 S2 volle Leistung	76 dB(A)

Spezifikationen und Komponenten können ohne vorherige Ankündigung geändert werden.

Dieses Gerät entspricht den EG-richtlinien Nr. 89/336/EWG, 93/31/EWG, 73/23EWG, 93/68EWG.

**DIESE WICHTIGEN
SICHERHEITSINFORMATIONEN
AUFBEWAHREN**

1. Öffnen

Schnappverschluss nach oben/außen ziehen (a) und Deckel hochheben (b).

2. Einsatzbeutel

Ziehen Sie die Öffnung des Beutels über den Einlaßstutzen des Gerätes. Drücken Sie die Pappscheibe mit der Membrane nach vorne über die erhöhte Kante des Stutzens und sichern Sie dann mit Hilfe der Sicherungsscheibe. Verwenden Sie nur Original-Einsatzbeutel.

3. Schlauchbefestigung

Die Schlauchkupplung ganz hineinschieben und im Uhrzeigersinn drehen.

4. Verlängerungsrohr

a) Standard: Fügen Sie die Rohre ineinander und sichern Sie mit einer Drehbewegung.

b) Teleskoprohr: Durch anhaltendes Drücken des Knopfes kann das Teleskoprohr auf die richtige Länge eingestellt werden. Bei Treppenreinigung empfehlen wir das Rohr auf die kürzeste Länge einzurasten.

5. Zubehör

Das Zubehör, das auf den Bildern gezeigt wird, kann von Modell zu Modell variieren.

a-b) Kombimundstück Wählen Sie die Einstellung entsprechend dem Typ des Fußbodens, der gereinigt werden soll: Mit Borsten für harte Böden, ohne Borsten für Teppichböden.

c) Universalmundstück Dieses ist sowohl für harte Böden als auch für Teppichböden geeignet.

d) Fugenmundstück: Zur Anwendung bei Möbeln, Heizkörpern und anderen schwer zugänglichen Stellen.

e) Kleines Kombimundstück:

Das kleine Kombimundstück ist mit einer Bürste zur Anwendung bei Möbeln, Bilderrahmen, Leisten usw sowie mit einem ausklappbaren, ebenen Mundstück zur Reinigung von Gardinen, Stoffmöbeln und anderen weichen Oberflächen, ausgerüstet. Am Bogenrohr des Schlauches befindet sich ein praktischer Halter für die Düse.

6. Drosselklappe

Um zu vermeiden, daß das Mundstück sich festsaugt, kann der Saugeffekt mit Hilfe der Drosselklappe im Handgriff geregelt werden.

7. Start/Stop

a) Start/Stop mit Fußbedienung

b) Volle/halbe Leistung (GD 930S2)

Wenn die Taste heruntergedrückt ist, läuft die Maschine mit voller Leistung. Wenn die Taste oben ist, läuft die Maschine mit verminderter Leistung.

c) Steckdose für Teppichdüse mit Motorantrieb; dieser wird eingeschaltet, wenn die Maschine gestartet wird.

8. Achtung

Nie Flüssigkeiten, Glassplitter oder Asche aufsaugen.

9. Filter

Die filter der Maschine sind im Deckel angebracht. Sie werden zugänglich gemacht, indem man den Filterhalter, wie in **Bild a** gezeigt, anhebt und anschließend herausnimmt.

Bild b zeigt das Standardfilter, **Bild c** das Feinfilter. Diese Filter in regelmäßigen Abständen kontrollieren, z. B. beim Auswechseln des Filterbeutels, und bei Bedarf auswechseln.

Satt dieser beiden Filter kann ein Mikrofilter von HEPA-Qualität (**e**) verwendet werden. Dieses Filter reinigt die austretende Luft zu 99,99 % von Partikeln, die größer sind als 0,3 Mikrometer.

Die Maschine ist auch mit einem Katastrophenfilter (**d**) ausgerüstet, das oberhalb des Motorteils angebracht ist. Dieses Filter ist im Zusammenhang mit dem Auswechseln des Filterbeutels zu kontrollieren und gegebenenfalls auszuwechseln.

WICHTIG!


Dieses Gerät ist mit einem Spezialkabel versehen, das bei Beschädigung durch ein Kabel des gleichen Typs ersetzt werden muß. Solche Kabel sind bei autorisierten Fachhändlern erhältlich und müssen von geschultem Personal montiert werden.

Dieses Gerät ist mit einem Thermo-Schutzschalter versehen, der die vitalen Teile gegen Überhitzung schützt. Sollte dieser Sicherheitsschalter das Gerät ausschalten, so dauert es ca. 5-10 Minuten bis das Gerät wieder automatisch startet. Kontrollieren Sie während dieser Zeit den Schlauch, den Einsatzbeutel und den Filter um sicherzustellen, daß der Luftdurchfluß durch die Maschine nicht behindert ist.

ACHTUNG!

Vor dem Beginn von Service- oder Wartungsarbeiten immer den Stecker aus der Steckdose ziehen.



Das Symbol  auf dem Produkt bzw. auf der Produktverpackung deutet an, dass das Produkt nicht mit dem Haushaltsmüll entsorgt werden darf. Stattdessen ist es zur Entsorgung an eine geeignete Sammelstelle für das Recycling von elektrischen und elektronischen Geräten zu bringen. Durch die korrekte Entsorgung helfen Sie mit, potenziellen negativen Einflüssen auf die Umwelt und die Gesundheit vorzubeugen, die durch eine unangemessene Entsorgung dieses Produktes entstehen könnten. Genauere Informationen zur Wiederverwertung dieses Produktes erhalten Sie von Ihrer Stadtverwaltung, der Müllabfuhr vor Ort oder dem Geschäft, in dem Sie dieses Produkt erworben haben.

PRECAUTIONS IMPORTANTES

Los accidentes debidos al mal uso, sólo pueden ser prevenidos por aquellos que estén utilizando la máquina.

Esta aspiradora puede ser utilizada en el hogar o para uso comercial. LEA Y SIGA TODAS LAS INSTRUCCIONES DE SEGURIDAD.

ADVERTENCIA!

Para reducir el riesgo de incendio, choque eléctrico o lesión, por favor lea y siga todas las instrucciones de seguridad y señales de precaución antes de usar.

Esta aspiradora está diseñada para ser segura cuando es utilizada para funciones de limpieza tal como se especifican. En caso de que las partes eléctricas o mecánicas se dañen, la aspiradora y/o los accesorios deben ser reparados por el fabricante o centro de servicios competente antes de usarse, para evitar daños adicionales a la máquina o lesión física al usuario.

- No la utilice al aire libre o en superficies húmedas.
- Desconecte la aspiradora antes de efectuar mantenimiento o cuando no esté en uso. No deje una aspiradora enchufada si no va a prestarle atención.
- No la utilice con cable o enchufe dañados. Para desenchufar, agarre del enchufe, no del cable. No manipule el enchufe o la aspiradora con las manos húmedas. Asegure todos los controles antes de desenchufar.
- No jale del cable ni arrastre la aspiradora usando el mismo. No utilice el cable como manija. No cierre una puerta sobre el cable, ni jale del mismo contra bordes o esquinas filosas.
- Advertencia! Nunca aspire material nocivo para la salud si el filtro Hepa no está montado en la máquina.
- Cuando se manipula el aparato, el saco del polvo, el filtro y todos los otros accesorios tras haber aspirado sustancias peligrosas, se deben respetar las disposiciones vigentes previstas para las sustancias aspiradas.
- Mantenga el pelo, la ropa suelta, los dedos y demás partes del cuerpo, lejos de aperturas y partes móviles. No ponga objetos en las aperturas o utilice la aspiradora con sus aperturas obstruidas. Mantenga las aperturas libres de polvo, hilachas, de aire, pelo o cualquier otra cosa que pueda reducir el flujo
- No recoja nada que esté quemándose o echando humo, tal como cigarrillos, cerillos o cenizas calientes. No la utilice para recoger líquidos inflamables o combustibles tales como gasolina, ni la utilice en áreas donde puedan estar presentes esos combustibles.
- Este aparato no ha de ser usado por niños ni personas con capacidad física, sensorial o mental reducida, o con falta de experiencia y conocimientos, salvo que no hayan sido instruidas o que estén vigiladas. Los niños han de estar vigilados, no hay que permitir que jueguen con el aparato.

- No permita que sea utilizada como juguete. Una atenta vigilancia es necesaria cuando es utilizada por los niños o cerca de ellos.
- No la utilice a menos que los filtros y la bolsa estén en su lugar.
- Use cuidado extremo cuando se la utilice en escaleras o superficies irregulares.
- Si la aspiradora no está funcionando correctamente, se ha caído, se ha dañado, ha sido dejada al aire libre o ha caído al agua, llévela al centro de servicios o concesionario.
- Utilícela solamente según se describe en este manual y sólo con los accesorios recomendados por el fabricante.
- ANTES DE ENCHUFAR LA ASPIRADORA, examine la placa de valores nominales ubicada en la parte trasera de la aspiradora para ver si el voltaje nominal está de acuerdo, dentro de un 10%, con el voltaje disponible.

INSTRUCCIONES PARA DOBLE AISLACIÓN

En un artefacto de doble aislación, se proveen dos sistemas de aislación en reemplazo de la puesta a tierra. No se proveen medios de puesta a tierra en un artefacto de doble aislación, ni debe ser agregado un medio de puesta a tierra al artefacto. El servicio de un artefacto de doble aislación requiere extremo cuidado y debe ser realizado solamente por personal de servicio calificado. Las partes de reemplazo para un artefacto de doble aislación deben ser idénticas a las partes que reemplazan. Un artefacto de doble aislación está marcado con las palabras "DOUBLE INSULATION" o "DOUBLE INSULATED" (doble aislación) El símbolo (cuadrado dentro de un cuadrado) puede también ser usado en el producto.



Efecto sonoro BS 5415:

GD 930	53 dB(A)
GD 930 S2 velocidad media	45 dB(A)
GD 930 S2 velocidad máxima	53 dB(A)

Efecto sonoro con la boquilla contra el suelo según la norma IEC 704:

GD 930 S	76 dB(A)
GD 930 S2 velocidad media	71 dB(A)
GD 930 S2 velocidad máxima	76 dB(A)

Las especificaciones y detalles pueden cambiar sin previo aviso.

Questa apparecchiatura é conforme alla direttiva comunitaria CEE89/336, CEE93/31, CEE73/23, CEE93/68.

GUARDE ESTAS INSTRUCCIONES

1. Abrir

Tire de la presilla hacia arriba y hacia afuera (a) y levante la tapa (b).

2. Bolsa de polvo

Pase la abertura de la bolsa sobre el mangote de entrada de la máquina. Presione la tira de cartón con la membrana sobre el borde del mangote y bloquee luego con la presilla. Utilice solamente bolsas originales.

3. Conexión de la manguera

Presione totalmente hacia adentro la conexión de la manguera y gire en el sentido de las agujas del reloj.

4. Tubo de prolongación

Estándar: Acople los tubos y gire para obtener un cierre seguro.

Tubo telescópico: Presione el fiador hacia abajo y regula luego el largo. Máx. = 950 mm, mín. = 630 mm. Para trabajar en escaleras se recomienda utilizar el tubo telescópico plegado.

5. Boquillas

Los accesorios que se ven en las imágenes pueden variar entre los distintos modelos.

a-b) Boquilla combinada

Regule la boquilla según el tipo de piso, con cepillo para pisos y sin cepillo para alfombras.

c) Boquilla universal

Para utilizar en pisos y alfombras.

d) Boquilla para uniones

Se utiliza en muebles, radiadores y demás lugares de difícil acceso.

e) Boquilla combinada pequeña

La boquilla combinada pequeña está equipada con un cepillo para muebles, marcos de cuadros, zócalos, etc. y una boquilla plana abatible para cortinas, muebles, etc. En el codo del tubo de la manguera hay un práctico soporte para la boquilla.

6. Regulador

Para evitar que la boquilla se pegue a la superficie, se puede regular la potencia de succión con el regulador que hay en el tubo del mango de la manguera.

7. Arranque/detención

a) Arranque/detención con activación de pie

b) Velocidad total/parcial (sólo la GD 930S2)

Cuando el botón está presionado la máquina funciona a potencia total. Cuando el botón está liberado funciona a efecto reducido.

c) Enchufe eléctrico para boquilla de alfombra motorizada, se acopla al arrancar la máquina.

8. FAVISO!

No aspire nunca líquidos, trozos de cristales o cenizas.

9. Filtro

Los filtros de la máquina están en la tapa. Se accede a ellos levantando el soporte del filtro como se muestra en la figura a y luego retirando los filtros.

La figura b muestra un filtro estándar, la c el filtro para tamo. Controle los filtros a intervalos regulares, por ejemplo cada vez que cambia la bolsa. Cambie los filtros cuando sea necesario.

En lugar de estos dos filtros se puede utilizar un microfiltro calidad **HEPA (e)**. Este filtro purifica el aire de salida en un 99,99% de todas las partículas mayores a 0,3 micras.

La máquina también está equipada con un filtro de catástrofe (**d**) ubicado sobre el motor. Este filtro debe controlarse y eventualmente cambiarse al cambiar la bolsa.

IMPORTANTE

Esta máquina está equipada con un cable especial que debe cambiarse por otro del mismo tipo si se daña; diríjase a un servicio autorizado para obtener el cable que debe ser reemplazado por personal especializado.

Esta máquina está equipada con un interruptor térmico para proteger las partes vitales contra el recalentamiento. Si el interruptor se activa, demora luego unos 5 a 10 minutos hasta que la máquina arranque nuevamente y en forma automática. Pulse el interruptor y desenchufe el cable, controle luego la manguera, la bolsa y el filtro para asegurarse que nada impide el paso del aire por la máquina.

ATENCIÓN

Desconecte la máquina de la red eléctrica antes de realizar cualquier servicio o mantenimiento.

* Preste especial atención al usarla en escalera

ADVERTENCIA!

No utilice este aparato para polvo que sea considerado peligroso para la salud

Este aparato tiene doble aislación. Utilice solamente recambios idénticos. Ver las instrucciones correspondientes para el servicio de aparatos de doble aislación.

NORME DI SICUREZZA

AVVERTENZE

Attenzione - Onde ridurre il rischio d'incendio, scosse elettriche e lesioni, leggere attentamente le istruzioni e le avvertenze prima dell'uso.

- Questa macchina è stata progettata per usi privati o professionali in interni.
- Non lasciare mai l'aspirapolvere collegato alla rete elettrica. Disinserire sempre la spina quando non si utilizza l'aspirapolvere oppure prima di effettuare qualsiasi intervento di manutenzione.
- Non permettere mai che l'apparecchio venga utilizzato come un giocattolo. Prestare quindi estrema attenzione quando lo si usa vicino a bambini.
- Attenersi strettamente alle indicazioni contenute nel libretto istruzioni. La manutenzione dell'elettrodomestico dovrà essere effettuata esclusivamente da personale autorizzato, adoperando esclusivamente pezzi di ricambio originali ed accessori raccomandati dal fabbricante. Non tentare mai di apportare alcuna modifica all'apparecchio.
- Non utilizzare mai l'apparecchio senza filtri.
- Avvertenza - Non aspirare mai polveri nocive senza aver montato il filtro HEPA.
- Per maneggiare l'apparecchio, il sacco di raccolta, il filtro e tutti gli altri accessori dopo l'aspirazione di sostanze pericolose si dovrà procedere in conformità alle disposizioni vigenti previste per le sostanze aspirate.
- Non utilizzare mai l'apparecchio se la spina o il cavo di alimentazione sono danneggiati. Se l'apparecchio presenta problemi di funzionamento oppure sia caduto violentemente a terra, abbia subito danni di altro tipo oppure sia stato lasciato all'aperto o sia caduto in acqua, portarlo al più vicino centro di assistenza.
- Non tirare né sollevare mai l'aspirapolvere per il cavo di alimentazione. Prestare attenzione a non schiacciare il cavo passandoci sopra oppure facendolo passare su orli o spigoli taglienti. Non esporre il cavo di alimentazione a fonti di calore.
- Non disinserire mai la spina tirando il cavo, bensì estrarla tenendo la spina stessa.
- Non aspirare mai liquidi. Non utilizzare l'aspirapolvere in ambienti umidi. Non toccare l'aspirapolvere con mani bagnate. Prima di pulire la macchina, utilizzando un panno asciutto, disinserire il cavo di alimentazione.
- Non utilizzare mai l'aspirapolvere vicino a fumi, corpi incandescenti o fiamme libere, ad esempio sigarette, fiammiferi, ceneri calde nonché liquidi e gas infiammabili.
- Questo apparecchio non è previsto per l'utilizzo da parte di bambini o di persone con ridotte capacità fisiche, sensoriali o mentali, oppure senza l'esperienza o le conoscenze necessarie, a meno che non siano sottoposte a un'adeguata supervisione o non siano state opportunamente istruite. Assicurarsi che i bambini non giochino con l'apparecchio.

- Non aspirare mai oggetti taglienti quali pezzi di vetro o chiodi che possono danneggiare il vano contenente il sacchetto raccogli-polvere.
- Spegnerne la macchina prima di disinserire il cavo elettrico.
- Prestare particolare attenzione nella pulizia di scale.
- Non utilizzare mai l'aspirapolvere in ambienti dove possono essere presenti gas o liquidi infiammabili o combustibili.
- Spegnerne sempre la macchina prima di applicare o togliere accessori.

ASSISTENZA TECNICA DI APPARECCHIO

A DOPPIO ISOLAMENTO

Nelle apparecchiature dotate di doppio isolamento, esso sostituisce completamente la misura preventiva della messa a terra. Le apparecchiature a doppio isolamento riportano il relativo simbolo (due quadrati concentrici).



Le apparecchiature con doppio isolamento non possiedono collegamento a terra e non devono esservi collegate nemmeno successivamente. L'assistenza tecnica di un'apparecchiatura a doppio isolamento richiede estrema accuratezza e profonda conoscenza di questo sistema; va quindi effettuata da personale altamente qualificato. I pezzi di ricambio di un'apparecchiatura a doppio isolamento devono essere perfettamente identici alle parti che vanno a sostituire.

Potenza acustica ai sensi BS 5415:

GD 930	53 dB(A)
GD 930 S2 mezza velocità	45 dB(A)
GD 930 S2 piena velocità	53 dB(A)

Potenza acustica con bocchetta sul pavimento ai sensi IEC 704:

GD 930	76 dB(A)
GD 930 S2 mezza velocità	71 dB(A)
GD 930 S2 piena velocità	76 dB(A)

Specifiche e dettagli sono soggette a modifiche senza preavviso.

Este aparelho está em conformidade com as directivas EC 89/336/EEC, 93/31/EEC, 73/23EEC, 93/ 68EEC.

**CONSERVARE IL LIBRETTO ISTRUZIONI
PER FUTURA CONSULTAZIONE**

1. Apertura

Tirare il clip di bloccaggio verso l'alto ed in fuori (a) e sollevare il coperchio (b).

2. Sacchetto raccogli-polvere

Infilare l'apertura del sacchetto sul manicotto di entrata dell'aspirapolvere. Premere la rondella di cartoncino con la membrana in avanti, oltre il bordo rialzato del manicotto, quindi fissarla con la rondella di bloccaggio. Utilizzare esclusivamente sacchetti raccogli-polvere originali.

3. Fissaggio del tubo flessibile

Infilare a fondo il raccordo del flessibile e ruotarlo in senso orario.

4. Prolunga

Tubo standard: Unire i tubi e ruotarli per ottenere un fissaggio sicuro.

Tubo telescopico: Premere il fermo verso il basso e regolare il tubo alla lunghezza desiderata, compresa fra max 950 mm e min 630 mm. Quando si puliscono scale, si consiglia di ridurre al massimo la lunghezza del tubo telescopico.

5. Bocchette

Gli accessori mostrati in figura possono variare a seconda del modello.

a-b) Bocchetta combinata

Regolabile in base al tipo di superficie: con spazzole su superfici dure e senza spazzole su tappeti.

c) Bocchetta universale

Utilizzabile su superfici dure e tappeti.

d) Bocchetta per fessure

Ideale per mobili, termosifoni ed altri luoghi difficilmente accessibili.

e) Bocchetta combinata piccola

La bocchetta combinata piccola è dotata di una spazzola per mobili, cornici, battiscopa ecc. nonché una bocchetta piana pieghevole per tende, mobili ecc. Sul gomito del flessibile è presente un comodo supporto per la bocchetta.

6. Regolatore di velocità

Per evitare che la bocchetta resti inceppata sulla superficie è possibile ridurre la potenza aspirante agendo sul regolatore posto sull'impugnatura del flessibile.

7. Avviamento / Arresto

a) Avviamento / arresto a pedale

b) Piena / mezza velocità (soltanto GD 930S2)

Quando il tasto è in posizione abbassata, l'aspirapolvere funziona a pieno regime. Quando il tasto è in posizione sollevata, l'aspirapolvere funziona a potenza ridotta.

c) Presa per bocchetta per tappeti a motore; si attiva all'avviamento dell'aspirapolvere.

8. Avvertenza

Non raccogliere mai liquidi, pezzi di vetro o cenere con l'aspirapolvere.

9. Filtri

I filtri dell'aspirapolvere si trovano nel coperchio. Per accedere ai filtri, sollevare il portafiltro come mostrato nella **figura A**, quindi estrarlo.

La figura B mostra il filtro standard, mentre **la figura C** descrive il filtro della lanugine. Controllare regolarmente lo stato dei filtri, ad esempio in occasione della sostituzione del sacchetto, e sostituirli all'occorrenza.

Al posto di questi due filtri può essere utilizzato un micro-filtro di qualità **HEPA (e)**. Questo filtro elimina dall'aria in uscita le particelle di dimensioni maggiori di 0,3 micron con un'efficienza del 99,99%.

L'aspirapolvere è munito anche di un filtro d'emergenza (**d**) alloggiato sopra il vano motore. Si consiglia di controllare lo stato del filtro in occasione della sostituzione del sacchetto e di sostituire anch'esso all'occorrenza.

IMPORTANTE


Il cavo di alimentazione di questo aspirapolvere è di tipo speciale. Qualora il cavo venisse danneggiato, deve essere sostituito con un altro cavo dello stesso tipo. Questo tipo di cavo è disponibile presso i centri di assistenza autorizzati e deve essere sostituito da un elettricista qualificato.

Questo aspirapolvere è dotato di una termica che protegge parti vitali dal surriscaldamento. Se la termica dovesse scattare e provocare il blocco dell'aspirapolvere, la macchina si riaccenderà automaticamente dopo 5-10 minuti circa. Spegnerne l'interruttore principale ed estrarre la spina. Controllare quindi il flessibile, il sacchetto raccogli-polvere ed il filtro accertandosi che nessuna parte impedisca il corretto flusso d'aria.

ATTENZIONE

Disinserire la spina dalla presa prima di qualsiasi intervento di assistenza o manutenzione.



El símbolo  que aparece en el producto o en su embalaje indica que este producto no puede ser tratado como residuos domésticos. En su lugar, debe ser entregado en el correspondiente punto de recogida para el reciclado de equipos eléctricos y electrónicos. Al garantizar la adecuada eliminación de este productos, ayudará a evitar las posibles consecuencias negativas para el medio ambiente y la salud de las personas que se producirían a causa de una inadecuada manipulación de los residuos de este producto. Para obtener información más detallada acerca del reciclaje de este producto, póngase en contacto con la oficina local de su ciudad, el servicio de recogida de residuos domésticos o el establecimiento en el que ha adquirido el producto.

NOTA IMPORTANTE

Este aspirador pode ser usado para uso doméstico ou comercial.

LEIA COM ATENÇÃO E SIGA AS INSTRUÇÕES DE SEGURANÇA

ADVERTÊNCIA!

Para evitar riscos de incêndio, choques eléctricos ou quaisquer outros danos, leia por favor com atenção e siga as instruções de segurança antes de usar o aparelho.

Este aspirador é seguro no desempenho das funções aqui especificadas. Em caso de dano na parte eléctrica ou mecânica, o aspirador e / ou o acessório deverão ser reparados pelo fabricante ou concessionário autorizado antes de voltar a utilizar o aparelho a fim de evitar danos adicionais à máquina ou danos físicos ao utilizador.

- Não use o aparelho ao ar livre.
- Não deixe o aparelho com a ficha na tomada quando não está a utilizá-lo bem como durante qualquer trabalho de manutenção.
- Não utilize o aparelho se tiver o cabo ou a ficha danificada. Desligue o aparelho da tomada puxando pela ficha e não pelo cabo. Não manuseie o aparelho com as mãos molhadas. Desligue todos os interruptores do aparelho antes de retirar a ficha da tomada.
- Não puxe pelo cabo para desligar a ficha ou deslocar o aparelho. Mantenha o cabo de alimentação eléctrica fora do alcance de fontes de calor e arestas cortantes. Não feche portas contra o cabo nem passe com o aparelho por cima do cabo.
- Mantenha cabelos, dedos ou qualquer parte do corpo afastados das aberturas e dos acessórios móveis. Não introduza qualquer objecto nas aberturas (escovas e tubos) e não aspire se alguma delas estiver entupida.
Mantenha-as limpas de poeiras, cabelos, linhas ou de quaisquer outras partículas que possam reduzir o fluxo de ar.
- Não aspire nada que esteja incandescente ou a queimar, p.e., pontas de cigarro, fósforos ou cinzas.
- Não aspire líquidos inflamáveis, p.e., gasolina e na presença de gases inflamáveis.
- Não permita que o aparelho seja usado como brinquedo. Tenha cuidado quando estão crianças por perto.
- Redobre a atenção quando aspira escadas.
- **Atenção** : Não aspire poeiras consideradas perigosas para a saúde.
- Este aparelho não foi concebido para ser utilizado por crianças ou pessoas cujas capacidades físicas, sensoriais ou mentais sejam reduzidas ou que não possuam os conhecimentos e experiência necessários, excepto se forem vigiadas e instruídas acerca da utilização do aparelho. As crianças devem ser vigiadas para garantir que não brincam com o aparelho.

- Qualquer contacto com o equipamento, saco de pó, filtro e acessórios usados para aspirar materiais perigosos deve ser feito segundo as normas que se aplicam ao material aspirado.
- Não aspire sem os filtros.
- Recorra à assistência técnica se o aparelho: estiver a funcionar deficientemente; caiu; se estiver danificado; se tiver sido abandonado ao ar livre ou tenha ainda caído na água.
- Observe rigorosamente estas instruções de manejo e as recomendações dadas pelo fabricante.
- A utilização deste aparelho para aspirar material que ofereça perigo não foi testado em laboratório.
- **Antes de ligar o aparelho à corrente eléctrica**, verifique se a voltagem indicada na placa de identificação corresponde à voltagem disponível, permitindo-se uma variação de 10%.
- Este aparelho está provido de isolamento duplo. Utilize exclusivamente peças de substituição idênticas às de origem. Veja as instruções de manejo de aparelhos de isolamento duplo.

ASSISTÊNCIA TÉCNICA DE APARELHOS DE ISOLAMENTO DUPLO

Num aparelho de duplo isolamento, existem dois sistemas de protecção em vez da ligação à terra. Assim, nunca se deverá fazer ligação à terra neste aparelho. A reparação deste tipo de aparelho requer extremo cuidado e profundo conhecimento do sistema, e só poderá ser assistido por indivíduos qualificados e autorizados. Use sempre peças sobresselentes de origem. Os produtos de isolamento duplo exibem as palavras "**double insulation**" ou "**double insulated**". O símbolo (um quadrado dentro de outro quadrado)

também pode ser usado tendo o mesmo sentido.



Nível de ruído segundo a norma BS 5415:

GD 930	53 dB(A)
GD 930S2 velocidade reduzida	45 dB(A)
GD 930S2 velocidade max.	53 dB(A)

Nível de ruído com escova no chão segundo a norma IEC 704:

GD 930	76 dB(A)
GD 930S2 velocidade reduzida	71 dB(A)
GD 930S2 velocidade max.	76 dB(A)

As especificações e os dados de pormenor estão sujeitos a alteração sem aviso prévio.

Este aparelho está em conformidade com a directiva EC 89/336/EEC, 93/31/EEC, 73/23/EEC, 93/68/EEC

1 Como abrir o aspirador

- a) Puxar os dois fechos tensores para cima e para os lados
- b) Levantar a tampa do corpo do aparelho

2 Saco de pó

Colocar o saco de pó encaixando a parte de cartolina e borracha na abertura que dá acesso à entrada das poeiras no aparelho. Utilize exclusivamente sacos originais sejam específicos para este modelo.

3 Colocação do tubo flexível

Fixe a extremidade do tubo flexível à boca de encaixe no aspirador, enroscando-a para a direita.

4 Montagem dos tubos rígidos

Tubos standard: Juntar as partes enroscando-as

Tubos telescópicos: Baixar o linguete e ajustar os tubos ao comprimento desejado

5 Acessórios

Os acessórios representados nas figuras constam ou não do equipamento dos aparelhos, segundo o modelo.

a-b) Escova combi

Aspira poeiras em pavimento rígido, com pêlo levantado, e em alcatifas e carpetes com pêlo recolhido.

c) Escova universal

Aspira poeiras tanto em pavimento rígido como em carpetes e tapetes

d) Tubo para cantos

Próprio para limpar zonas de difícil acesso (ex. radiadores, cantos...)

e) Escova pequena

Combina dois acessórios numa peça :

1 escova para limpar mobiliário, quadros...

1 escova para limpar cortinados e sofás.

6 Controlo do poder de sucção

Pode controlar-se o poder de sucção mediante um dispositivo manual no tubo

7 Arranque / Paragem

- a) Interruptor ON/OFF accionável com o pé
- b) Na versão GD 930S2, existe um segundo interruptor para alterar a velocidade do motor
- c) Tomada para bate-escova.

8 Advertência!

Nunca aspire líquidos, vidros ou cinzas

9 Filtros

Os 2 filtros estão localizados no interior da tampa do aspirador. Para alcançá-los, deve-se puxar e desencaixar o suporte de filtros na tampa. Existe igualmente um filtro junto ao motor. Verifique regularmente os filtros, que deverão ser substituídos logo que estejam saturados.

IMPORTANTE!


O GD 930/S2 está munido de um cabo eléctrico especial que, quando danificado, deve ser substituído por outro do mesmo tipo.

O GD 930/S2 está protegido contra sobre-aquecimento do motor. Se o aparelho parar, deverá descansar 5 a 10 minutos. Entretanto, aproveite para desligá-lo, retirar a ficha da tomada e verificar o saco, os filtros e se algo está a obstruir a corrente de ar no aspirador.

NB!

Retire sempre a ficha da tomada antes de quaisquer operações de manutenção ou reparação.



Símbolo  no produto ou na embalagem indica que esse produto não deve ser tratado como um resíduo doméstico. Ao contrário, deve ser levado ao local de recolha adequado para a reciclagem de equipamentos electroelectrónicos. Ao se assegurar que o tratamento deste equipamento foi adequado, estará a ajudar a prevenir consequências potenciais ao meio ambiente e à saúde humana que poderiam ser causadas pelo manejo inapropriado do produto. Para mais informações sobre a reciclagem deste produto, entre em contacto com as autoridades locais, com o órgão responsável pela recolha de lixo ou a loja onde o produto foi adquirido.

VEILIGHEIDSinSTRUCTIES

WAARSCHUWING!

LET OP! Om brand, elektrische schokken of beschadiging te voorkomen, dient u de veiligheidsinstructies en waarschuwingen goed door te lezen voordat u het apparaat in gebruik neemt.

- Dit apparaat is bedoeld voor privé- of professioneel gebruik binnenshuis.
- Laat de stofzuiger niet aangesloten op het elektriciteitsnet staan. Haal de stekker altijd uit het stopcontact als de stofzuiger niet wordt gebruikt of als hij wordt nagekeken.
- Mag niet als speelgoed gebruikt worden. Wees extra voorzichtig bij gebruik door of in de buurt van kinderen.
- Volg de instructies nauwkeurig op. Onderhoud en reparaties mogen alleen worden uitgevoerd door een erkende reparatieservice. Alleen reserveonderdelen en accessoires die door de fabrikant zijn aanbevolen mogen worden gebruikt. Probeer nooit zelf het apparaat te veranderen.
- Gebruik het apparaat niet zonder filter.
- Waarschuwing! Zuig nooit gevaarlijk materiaal op zonder Hepa-filter.
- Na het opzuigen van gevaarlijke stoffen dient u zich voor het gebruik van het apparaat, de stofzak, het filter en alle andere accessoires aan de wettelijke voorschriften te houden die voor de opgezogen stoffen van kracht zijn.
- Gebruik het apparaat niet met een beschadigd snoer of beschadigde stekker. Als het apparaat niet naar behoren functioneert, als het beschadigd is, buiten of in een vochtige omgeving heeft gestaan, moet u het laten nakijken.
- Gebruik het snoer niet om het apparaat te trekken of op te tillen. Klem het snoer niet tussen een deur of onder het apparaat door er overheen te rijden. Het snoer mag niet verhit raken.
- Trek aan de stekker om het snoer uit het stopcontact te halen. Trek nooit aan het snoer zelf.
- Zuig geen vloeistof op. Gebruik het apparaat niet in vochtige ruimtes. Hanteer het apparaat niet met natte handen. Maak het apparaat met een droge doek schoon na de stekker uit het stopcontact te hebben gehaald.
- Zuig niet in de buurt van rook, hitte of vuur, b.v. sigaretten, lucifers, hete as of brandgevaarlijke stoffen.
- Zuig geen scherpe voorwerpen op, zoals stukken glas of naalden, die de stofzak kunnen beschadigen.
- Zet het apparaat uit voordat u de stekker uit het
- Dit apparaat mag niet door kinderen of personen met een verminderde fysieke, motorische of mentale gesteldheid of gebrek aan ervaring en kennis worden gebruikt, tenzij zij onder toezicht staan of instructies krijgen. Let er altijd op dat kinderen niet spelen met het apparaat.

- Wees extra voorzichtig bij het stofzuigen van een trap.
- Gebruik het apparaat niet in ruimtes waar zich brandbare of licht ontvlambare stoffen kunnen bevinden.
- Zet het apparaat uit voor het verwijderen of monteren van hulpstukken.

ONDERHOUD VAN EEN DUBBEL GEÏSOLEERD APPARAAT

Bij een dubbel geïsoleerd apparaat wordt gebruik gemaakt van dubbele isolering in plaats van aarding. Een dubbel geïsoleerd apparaat kunt u herkennen aan het symbool voor dubbele isolering (een vierkant in een vierkant)

op het etiket met gegevens.



Een dubbel geïsoleerd apparaat is niet voorzien van aarding en mag achteraf ook niet van aarding worden voorzien. Onderhoud van dit type apparaat vergt uiterste voorzichtigheid en deskundigheid en mag daarom alleen worden uitgevoerd door gekwalificeerd personeel. De reserve-onderdelen van een dubbel geïsoleerd apparaat dienen identiek te zijn aan de onderdelen die ze vervangen.

Geluidseffect volgens BS:

GD 930	53 dB(A)
GD 930 S2 halve kracht	45 dB(A)
GD 930 S2 volle kracht	53 dB(A)

Geluidseffect met het mondstuk op de vloer volgens IEC 704:

GD 930	76 dB(A)
GD 930 S2 halve kracht	71 dB(A)
GD 930 S2 volle kracht	76 dB(A)

Specificaties en overige informatie kunnen zonder voorafgaande kennisgeving worden gewijzigd.

Dit apparaat voldoet aan de EG-richtlijn 89/336/EEG, 93/31/EEG, 73/23EEG, 93/68EEG.

**BEWAAR DEZE INSTRUCTIES VOOR
LATER GEBRUIK**

1. Openen

Trek de dekselsluitingen naar boven en naar buiten (a) en til het deksel op (b).

2. Stofzak

Schuif de zakopening over het inlaatmondstuk van het apparaat. Druk het kartonnen plaatje met het membraan naar voren voorbij de opstaande rand van het inlaatmondstuk, en zet het daarna vast met de vergrendeling. Gebruik alleen originele stofzakken.

3. Slangaansluiting

Steek de slang aansluiting helemaal naar binnen en draai deze met de klok mee.

4. Verlengbuis

Standaard: Schuif de buizen in elkaar en draai ze goed vast.

Telescoopbuis: Druk het palletje naar beneden en pas vervolgens de lengte aan. Max. 950 mm, min. 630 mm. Bij het stofzuigen van een trap wordt een ineengeschoven telescoopbuis aanbevolen.

5. Mondstukken

De hulpstukken op de afbeeldingen variëren per model.

a-b) Combinatiemondstuk

De instelling is afhankelijk van het type vloer: met borstel op harde vloeren en zonder borstel op vloerkleden.

c) Universeel mondstuk

Kan zowel op harde vloeren als op vloerkleden worden gebruikt.

d) Naadmondstuk

Wordt voor meubels, radiatoren en andere moeilijk bereikbare plaatsen gebruikt.

e) Klein combinatiemondstuk

Het kleine combinatiemondstuk is uitgerust met een borstel voor meubels, schilderijlijsten, plinten e.d. en een buigbaar plat mondstuk voor gordijnen en meubels e.d. Op het bochtstuk van de buis bevindt zich een handige houder voor dit hulpstuk.

6. Schuif voor zuigkrachtregeling

Om te voorkomen dat het mondstuk zich vastzuigt, kan de zuigkracht worden geregeld met de schuif op het handvat van de slang.

7. Start/Stop

a) Met de voet bediende start/stop

b) Volle/halve kracht (alleen GD 930S2)

Als de knop is ingedrukt werkt het apparaat op volle kracht. Als de knop omhoog staat werkt het apparaat met gereduceerd vermogen.

c) Aansluiting voor een kleedmondstuk met motoraandrijving, wordt ingeschakeld als het apparaat wordt aangezet.

8. Waarschuwing!

Zuig nooit vloeistof, glassplinters of as op.

9. Filter

De filters van het apparaat bevinden zich in het deksel. U kunt erbij door de filterhouder eruit te tillen zoals op **afbeelding a**.

Op **afbeelding b** staat het standaardfilter, op **afbeelding c** het fijnfilter. Controleer deze filters regelmatig, bijvoorbeeld bij het verwisselen van de stofzak, en vervang ze als dat nodig is.

In plaats van deze filters kunt u een microfilter van HEPA-kwaliteit (**e**) gebruiken. Dit filter zuivert de uitgeblazen lucht voor 99,99% van deeltjes groter dan 0,3 micron.

Het apparaat is ook uitgerust met een catastrofefilter (**d**), dat boven het motorgedeelte is geplaatst. Dit filter moet bij het verwisselen van de stofzak gecontroleerd en eventueel vervangen worden.

BELANGRIJK!

Dit apparaat is voorzien van een speciaal snoer, dat bij beschadiging vervangen dient te worden door een snoer van hetzelfde type. Een dergelijk snoer is verkrijgbaar bij een erkende reparatieservice en dient door een deskundige te worden aangesloten.

Dit apparaat is voorzien van een thermoschakelaar die de belangrijke onderdelen beschermt tegen oververhitting. Als deze veiligheidsschakelaar het apparaat heeft uitgeschakeld, duurt het ca. 5-10 minuten voordat het apparaat automatisch weer start. Zet het apparaat uit en haal de stekker uit het stopcontact, kijk vervolgens de slang, stofzak en filters na om te controleren of de luchtstroom door het apparaat nergens wordt gehinderd.

LET OP!

Haal de stekker uit het stopcontact voor een servicebeurt of onderhoudswerkzaamheden.



Het symbool  op het product of de verpakking geeft aan dat dit product niet als huishoudelijk afval mag worden behandeld. Het apparaat moet bij een verzamelpunt voor het recyclen van elektrische en elektronische apparatuur worden ingeleverd. Door dit product op de juiste manier af te danken, helpt u bij het voorkomen van mogelijke negatieve consequenties voor het milieu en de menselijke gezondheid. Deze zouden kunnen ontstaan als dit product niet op de juiste manier wordt behandeld. Voor uitgebreide informatie over het recyclen van dit product kunt u contact opnemen met uw plaatselijke stadskantoor, uw afvalverwerkingsdienst of de winkel waar u het product hebt gekocht.

SÄKERHETSINSTRUKTIONER

VARNING!

OBS! För att minska risken för eld, elektrisk chock eller skada, läs alla säkerhetsinstruktioner och varningstexter innan dammsugaren används.

- Denna maskin är avsedd för inomhusbruk, privat eller professionellt.
- Lämna inte dammsugaren ansluten till nätet. Dra alltid ur sladden när dammsugaren inte används samt vid översyn.
- Får ej användas som leksak. Var extra försiktig när dammsugaren används av eller brukas i närheten av barn.
- Var noga med att följa instruktionsboken. Service och reparationer får endast utföras av auktoriserad verkstad. Endast av tillverkaren rekommenderade reservdelar och tillbehör får användas. Försök aldrig på något sätt modifiera dammsugaren själv.
- Använd inte dammsugaren utan filter.
- Varning! Dammsug aldrig hälsovådligt material utan Hepa-filter monterat.
- All hantering av maskin, dammpåsar, filter och övriga tillbehör som används vid dammsugning av hälsovådligt material ska ske enligt de bestämmelser som gäller för respektive material.
- Använd inte dammsugaren med skadad sladd eller stickpropp. Om apparaten inte fungerar som den ska, om den skadats, lämnats utomhus, utsatts för väta lämna in den för service.
- Använd inte sladden för att dra eller lyfta dammsugaren. Kläm inte sladden i en dörr eller under dammsugaren genom att köra över den. Sladden får ej utsättas för hetta.
- Ta i stickproppen för att dra ur sladden. Dra aldrig i själva sladden.
- Sug inte upp vätska. Använd inte dammsugaren i våta utrymmen. Handskas inte med dammsugaren med våta händer. Rengör dammsugaren med torr trasa efter att först ha dragit ur sladden.
- Dammsug inte nära rök, glöd eller brand t.ex cigaretter, tändstickor, het aska eller brandfarlig vätska eller gas.
- Sug inte upp vassa föremål såsom glasbitar eller nålar som kan skada dammbehållaren eller motorn.
- Denna maskin får inte användas av barn eller personer med reducerad fysisk eller mental förmåga, eller brist på erfarenhet och kunskap, såvida de inte instrueras eller övervakas. Denna maskin är inte avsedd att användas av barn. Se till att barn inte leker med denna maskin.

- Stäng av dammsugaren innan sladden dras ur.
- Var extra försiktig vid trappstädning.
- Använd inte dammsugaren i utrymmen där det kan finnas brännbara eller lättantändliga vätskor eller gaser.
- Stäng av dammsugaren innan tillbehör monteras av eller på.

SERVICE AV EN DUBBELISOLERAD APPARAT

I en dubbelisolerad apparat används dubbelisolering i stället för jordning. På en dubbelisolerad apparat finns symbolen för dubbelisolering (en fyrkant inuti en fyrkant) på dataskylten.



En dubbelisolerad maskin är inte försedd med jordning och får inte heller förses med jordning i efterhand.

Service av denna typ av apparat kräver extrem varsamhet och kunskap och skall därför endast utföras av kvalificerad personal. Reservdelarna till en dubbelisolerad apparat måste vara identiska med de delar de ersätter.

Ljudeffekt enligt BS 5415:

GD 930	53 dB(A)
GD 930 S2, halv fart	45 dB(A)
GD 930 S2, full fart	53 dB(A)

Ljudeffekt med munstycket mot golvet enl. IEC 704:

GD 930	76 dB(A)
GD 930 S2, halv fart	71 dB(A)
GD 930 S2, full fart	76 dB(A)

Specifikationer och detaljer kan ändras utan föregående meddelande. Tillbehören på bilderna kan variera mellan olika varianter.

Denna apparat uppfyller kraven i EG-direktivet 89/336/EEG, 93/31/EEG, 73/23/EEG, 93/68/EEG.

SPARA INSTRUKTIONEN FÖR FRAMTIDA BRUK

1. Öppna

Drag snäppena utåt **(a)** och lyft locket **(b)**.

2. Dammpåse

Trä påsens öppning över maskinens inloppsstos.

Tryck pappbrickan med membranet framåt förbi den upphöjda kanten på stosen, säkra sedan med låsbrickan.

Använd endast original-dammpåsar.

3. Slanginfästning

Skjut in slankopplingen helt och vrid medurs.

4. Förlängningsrör

Standard: Sammanfoga rören och vrid för säker låsning.

Teleskoprör: Tryck spärren nedåt, anpassa sedan längden Max 950mm min 630 mm. Vid trappstädning rekommenderas hopskjutet teleskoprör.

5. Munstycken

Tillbehören på bilderna kan variera mellan olika modellvarianter.

a-b) Kombimunstycke

Anpassa inställningen efter typ av golv, med borst på hårda golv och utan borst på mattor.

c)Universalmunstycke

Kan användas på både hårda golv och mattor.

d)Fogmunstycke

Används på möbler, element och andra svåråtkomliga ställen.

e)Litet kombimunstycke

Det lilla kombimunstycket är utrustat med en borste för möbler, tavelramar, lister osv samt ett vikbart plant munstycke för gardiner, möbler osv. På slangens rörkrök finns en praktisk hållare för munstycket.

6. Spjäll

För att undvika att munstycket suger fast kan sugeffekten regleras med spjället på slangens handtagsrör.

7. Start / Stopp

a)Fotmanövererad start/stopp

b)Hel/halvfart(endast GD 930S2)

När knappen är nedtryckt går maskinen med full effekt. När knappen är uppe går maskinen med reducerad effekt.

c)Eluttaget för motordrivet mattmunstycke, kopplas in när maskinen startas.

8. Varning!

Dammsug aldrig upp vätska, glassplitter eller aska.

9. Filter

Maskinens filter är placerade i locket. De görs åtkomliga genom att lyfta ut filterhållaren så som visas på **bild a** och sedan lyfta ut filterhållaren.

Bild b visar standardfiltret, **bild c** visar finfiltret. Kontrollera dessa filter med jämna mellanrum exempelvis vid påsbyte och byt vid behov.

Istället för dessa två filter kan ett mikrofilter av **HEPA-kvalitet (e)** användas. Detta filter renar utblåsluften till 99,99% från partiklar större än 0,3 micron.

Maskinen är också utrustad med ett katastroffilter **(d)** placerat ovanpå motordelen. Detta filter skall kontrolleras och eventuellt bytas i samband med påsbyte.

VIKTIGT!


Denna maskin är försedd med en sladd av specialutförande, som om den skadas, måste bytas mot sladd av samma typ. Sådan sladd kan erhållas från auktoriserat serviceställe och skall monteras av sakkunnig person.

Denna maskin är försedd med en termobrytare för att skydda vitala delar mot överhettning. Skulle denna säkerhetsbrytare stänga av maskinen, tar det ca 5-10 minuter innan maskinen automatiskt startar igen. Slå av strömbrytaren och dra ur sladden, kontrollera sedan slang, dammpåse och filter för att säkerställa att ingenting hindrar luftflödet genom maskinen.

OBS!

Tag ur stickproppen från vägguttaget före service eller underhållsarbete.



Symbolen  på produkten eller emballaget anger att produkten inte får hanteras som hushållsavfall. Den skall i stället lämnas in på uppsamlingsplats för återvinning av el- och elektronikkomponenter. Genom att säkerställa att produkten hanteras på rätt sätt bidrar du till att förebygga eventuellt negativa miljö- och hälsoeffekter som kan uppstå om produkten kasseras som vanligt avfall. För ytterligare upplysningar om återvinning bör du kontakta lokala myndigheter, sophämtningstjänst eller återförsäljaren där du köpte varan.

SIKKERHETSINSTRUKSJONER

ADVARSEL!

For å redusere fare for brann, elektrisk støt eller skade av noe slag:

- Kun før innendørs bruk
- Forlat aldri støvsugeren når den er koblet til strøm. Må kobles fra strøm når ikke i bruk eller før reparasjon/service.
- Må aldri benyttes som ett leketøy. Vær spesielt forsiktig dersom støvsugeren benyttes i nærheten av barn.
- Må brukes slik som beskrevet i bruksanvisningen. Service og reparasjon må utføres av autorisert serviceperson. Benytt originale reservedeler og produsentens originale tilleggsutstyr. Støvsugeren må ikke på noen måte justeres eller forandres.
- Støvsugeren må aldri benyttes uten filter.
- Advarsel! Støvsug aldri sundheds skadeligt materiale uden at Hepa-filteret er monteret.
- All hantering av maskin, støvposer, filter og øvrige tilbehør som anvendes ved støvsugning av hel seskadelig materiale, skal utføres i henhold til de regler som gjelder for de respektive materialer.
- Må ikke brukes dersom ledning eller støpselet er øde lagt. Dersom maskinen ikke fungerer som den skal, falt i gulvet, ødelagt, etterlatt utendørs eller blitt våt må den etter sees av autorisert serviceperson før bruk.
- Må ikke løftes eller bæres etter kabelen. Trekk ikke kabelen rundt skarpe kanter eller hjørner. Kjør ikke over ledningen med maskinen. Hold ledningen borte fra varme overflater.
- Trekk ikke i ledningen når du skal trekke ut kontakten. Trekk alltid i støpselet.
- Støvsug aldri flytende væsker. Pass på at du er tørr på hendene når du tar på elektriske ledninger og støpsel. Når maskinen skall rengjøres, pass på at den ikke er tilkoblet strøm. Bruk tørr klut ved rengjøringen.
- Dette apparatet skal ikke brukes av barn eller personer med reduserte fysiske, sensoriske eller mentale evner, eller mangel på erfaring og kunnskap, med mindre de er under tilsyn eller har fått den nødvendige instruksjon. Det må føres tilsyn med barn, slik at de ikke leker med apparatet.

- Bruk aldri støvsugeren til å suge opp brennende, glødende eller rykende materialer, slikt som sigaretter, fyrstikker, varm aske eller brennbar gass eller væske.
- Sug aldri opp skarpe gjenstander.
- Slå av maskinen før støpselet trekkes ut av kontakten..
- Vær spesielt forsiktig ved rengjøring av trapper og avsatter.
- Må ikke brukes i nærheten av brennbare eller eksplosive gasser eller væsker.
- Slå alltid av støvsugeren før du monterer eller skifter utstyr.

SERVICE OG REPARASJON AV DOBBELT ISOLERTE PRODUKTER.

I ett dobbelt isolert produkt er den dobbelte isoleringen en erstatning for jordet elektrisk tilkobling. Produktet har ingen jordet tilkoblingsmulighet og må ikke ved noen anledning justeres slik at dette blir tilkoblet.

Service og vedlikehold av dobbeltisolerte produkter krever stor kunnskap om produktet. Service og reparasjoner skal derfor alltid utføres av en autorisert serviceperson. Reservedeler i et dobbeltisolert produkt må være identiske med de deler som byttes ut. Symbolet er merket på alle dobbeltisolerte produkter.



Lydeffekt i overensstemmelse med BS 5415:

GD 930	53 dB(A)
GD 930 S2 halv effekt	45 dB(A)
GD 930 S2 full effekt	53 dB(A)

Lydeffekt med munnstykket mot gulvet i overensstemmelse med IEC 704:

GD 930	76 dB(A)
GD 930 S2 halv effekt	71 dB(A)
GD 930 S2 full effekt	76 dB(A)

Spesifikasjonene og opplysningene kan endres uten varsel.

Dette apparatet oppfyller kravene i EU-direktiv 89/336/EEC, 93/31/EEC, 73/23/EEC, 93/68/EEC.

SPAR DISSE VIKTIGE SIKKERHETSINSTRUKSJONER!

1. Åpne

Trekk låsekripsen ut (a) og løft dekselet (b).

2. Støvpose

Trø åpningen i posen over maskinens inntakstuss. Trykk papplaten med mem-branen forover forbi den opphøyde kanten på stussen og fest den med låsebrikken. Bruk bare originale støvposer.

3. Tilkopling av slange

Skyv slangekoplingen helt inn og vri med klokken.

4. Forlengelsesrør

Standard: Sett sammen rørene og vri slik at de låses på plass.

Teleskoprør: Trykk sperren nedover, deretter tilpasses lengden. Maks. 950 mm, min. 630 mm. Ved støvsugning i trapper, anbefales sammenskjøvet teleskoprør.

5. Munnstykker

Utstyret på figurene kan variere fra modell til modell.

a-b) Kombimunnstykke

Innstillingen tilpasses etter typen gulv, med børste på harde gulv og uten børste på tepper.

c) Universalmunnstykke

Kan brukes på både harde gulv og tepper.

d) Fugemunnstykke

Brukes på møbler, ovner og andre vanskelig tilgjengelige steder.

e) Lite kombimunnstykke

Det lille kombimunnstykket er utstyrt med en børste for møbler, billedrammer, lister osv, samt et oppfellbart plant munnstykke for gardiner, møbler osv. På slangens rørbøying er det en praktisk holder til munnstykket.

6. Spjeld

For å unngå at munnstykket suger seg fast, kan sugeeffekten reguleres med spjeldet på håndtaket.

7. Start/stopp

a) Fotbetjent start/stopp

b) Full/halv effekt (bare GD 930S2)

Når knappen trykkes ned, arbeider maskinen med full effekt. Når knappen er ute, arbeider maskinen med redusert effekt.

c) Strømuttaket for motordrevet teppemunnstykke koples inn når maskinen startes.

8. ADVARSEL!

Støvsugeren må aldri brukes til oppsuging av væske, glassbiter eller aske!

9 Filter

Maskinens filtre er plassert i dekselet. Løft ut filterholderen slik **figur a** viser og løft deretter filterene ut.

Figur b viser standardfilteret, **figur c** viser finfilteret. Kontroller disse filterene med jevne mellomrom, f.eks. når posen skiftes, og skift ved behov.

I stedet for disse to filterene kan man bruke et mikrofilter av HEPA-kvalitet (**e**). Dette filteret renser utblåsningsluften 99,99 % for partikler større enn 0,3 mikron.

Maskinen er også utstyrt med et katastrofefilter (**d**) plassert over motordelen. Dette filteret må kontrolleres og eventuelt skiftes når posen skiftes.

VIKTIG!


Denne maskin er utstyrt med ledning i spisialutførelse, som må skiftes ut med ledning av samme type hvis den skades. En slik ledning kan fås fra autorisert serviceverksted og må monteres av sakkyndig person.

Denne maskin er utstyrt med en termobryter for å beskytte vitale deler mot overoppheting. Skulle sikkerhetsbryteren slå av maskinen, tar det ca 5-10 minutter før den automatisk starter igjen. Denne tiden bruker du til å kontrollere slange, støvpose og filter for å kontrollere at ingenting hindrer luftstrømmen gjennom maskinen.

OBS!

Før rengjøring eller service av maskinen må støpselet trekkes ut av kontakten.



Symbolet  på produktet eller emballasjen indikerer at dette produktet ikke kan behandles som husholdningsavfall. I stedet skal det leveres til aktuelt innsamlingspunkt for resirkulering av elektrisk og elektronisk utstyr. Ved å sørge for at dette produktet kasseres korrekt, bidrar du til å forebygge mulige negative følger for miljøet og folks helse, hvilket ellers kan forårsakes ved feilaktig avfallshåndtering av dette produktet. For nærmere informasjon om resirkulering av dette produktet, vennligst kontakt din lokale representant, renholdsverket eller butikken der du kjøpte produktet.

SIKKERHEDSREGLER

VIGTIGT!

Ved benyttelse af elektriske apparater, skal almindelige kendte forholdsregler altid følges, samt nedenstående. Læs brugsanvisningen inden støvsugeren tages i brug.

- Kun før indendørs brug.
- Sluk på støvsugeren og træk stikket ud når støvsugeren efterlades. Tag stikket ud før vedligeholdelse og reparation.
- Lad aldrig børn lege med støvsugeren. Støvsugeren er kun beregnet til brug af voksne og af større børn under opsyn.
- Støvsugeren må ikke benyttes på anden måde end beskrevet i brugsanvisningen. En beskadiget støvsuger skal indleveres til forhandleren til reparation. Det er ikke tilladt at lave indgreb i eller ændre ved støvsugeren eller at benytte uoriginale reservedele eller tilbehør.
- Støvsugeren må ikke anvendes uden filter.
- Advarsel! Støvsug aldrig helseskadeligt materiale uden HEPA-filter monteret.
- Al brug af maskine, støvposer, filtre og øvrigt tilbehør beregnet til støvsugning af sunhedsfarligt materiale, skal foregå efter de bestemmelser der er for de pågældende materialer.
- Brug ikke støvsugeren, hvis ledning eller stik er ødelagt. Ligeledes hvis den ikke fungerer/ikke lyder som den plejer, eller hvis den har været tabt, efterladt udendørs eller har været i forbindelse med vand, men indlevér den til eftersyn/reparation.
- Bær eller træk ikke støvsugeren i ledningen. Ledningen må ikke udsættes for skadelig varme, trækpåvirkning, olie, skarpe kanter eller komme i klemme i døren. Kør ikke støvsugeren over ledningen.
- Når stikket trækkes ud, trækkes i stikket, aldrig i ledning en.
- Brug aldrig støvsugeren i vådrum eller til at opsuge vand eller andre væsker med. Håndter ikke stik eller støvsuger med våde hænder. Benyt en tør eller hårdt opvredet klud, når støvsugeren skal aftørres. Denne maskine må ikke benyttes af børn eller personer med fysiske, sansemæssige eller mentale handicap eller personer, der mangler erfaring eller viden, medmindre de har fået instruktion eller er under vejledning. Det skal sikres, at børn ikke leger med maskinen.
- Støvsug aldrig aske, cigaretskod, glødende partikler eller lignende op. Støvsug ikke umiddelbart efter rensning af tæpper med brandfarlige væsker eller hvis der er brandfarlige dampe eller gasser til stede i lokalet.

- Støvsug ikke skarpe genstande, glasskår eller lignende op.
- Sluk på maskinen før stikket tages ud.
- Udvis ekstra forsigtighed ved støvsugning af trapper.
- Sluk på maskinen før skifte af udstyr.
- Støvsugeren har dobbelt isolation og skal derfor ikke have jordledning.

DOBBELTISOLEREDE APPARATER

Et dobbeltisoleret apparat har to isoleringssystemer i stedet for jordforbindelse. Dobbeltisolerede apparater har ingen tilslutning for en jordforbindelse, og dobbeltisolerede apparater må ikke jordforbindes. Service af dobbeltisolerede apparater kræver stor omhu og kendskab til systemet og må kun foretages af kvalificerede serviceteknikere. Reservedele til et dobbeltisoleret apparat skal være fuldstændig magen til de dele, de erstatter. Et dobbeltisoleret apparat er mærket med ordene: "DOBBELT ISOLERING" eller "DOBBELTISOLERET." Symbolet (et kvadrat inde i et kvadrat) kan også være placeret på apparatet.



VIGTIGT!

Maskinen er forsynet med en speciel ledning, hvis den bliver beskadiget skal den udskiftes med en tilsvarende ledning af sagkyndig person. Denne maskine har en termosikring, som forhindrer overophedning. Slår termosikringen fra, vil det tage ca. 5-10 min., før maskinen starter igen.

Sluk for maskinen og kontrollér slange, pose og filter, som sikkerhed for at intet hindrer fri luftgennemstrømning.

Lydeffekt ifølge BS 5415:

GD 930	53 dB(A)
GD 930 S2 halv effekt	45 dB(A)
GD 930 S2 fuld effekt	53 dB(A)

Lydeffekt med mundstykket mod gulvet ifølge IEC 704:

GD 930	76 dB(A)
GD 930 S2 halv effekt	71 dB(A)
GD 930 S2 fuld effekt	76 dB(A)

Ret til ændringer af specifikationer og data forbeholdes uden forudgående meddelelse.

Dette apparat opfylder kravene i EF-direktiv 89/336/EØF, 93/31/EØF, 73/23/EØF, 93/68/EØF.

GEM DISSE VIGTIGE SIKKERHEDSREGLER!

1. Åben maskinen

Træk låseclipsen udad (a) og løft dækslet (b).

2. Støvsugerposen

Før posens åbning in over studsen. Tryk papstykket med membranen, forbi den ophøjede kant på studsen og isæt poseholderen. Anvend kun originale poser.

3. Tilslutning af slangen

Skub slangekoblingen helt ind og drej den med uret.

4. Rør

Standard:Sæt de to rør sammen og drej dem modsat, så de låses fast.

Teleskoprør: Justér teleskoprøret til den ønskede længde, ved at skyderen skubbes frem, samtidigt med at røret trækkes ud til den ønskede længde.

5. Mundstykket

Tilbehøret på billederne kan variere afhængigt af de forskellige modeltyper.

a-b) Kombimundstykke

Kombimundstykket er omstilleligt, enten til tæpper eller til hårde gulve ved hjælp af en pedal ovenpå mundstykket.

c)Universalmundstykke

For brug til tæpper eller til hårde gulve.

d)Fugemundstykke

Er velegnet til dyner, paneler, svært tilgængelige steder o.l.

e)Lille kombimundstykke

Er velegnet til lamper, boghylder, møbler, gardiner o.l. På slangens rørbøjning er der en praktisk holder til mundstykket.

6 Luftspjæld

Sugestyrken kan mindskes ved hjælp af luftspjældet på slangehåndtaget.

7 Start/Stop

a)Fodbetjent start/stop

b)Fuld/halv effekt (kun GD 930S2)

Når knappen trykkes ned, arbejder maskinen med fuld effekt. Når knappen er oppe, arbejder maskinen med reduceret effekt.

c) Eludtaget til det motordrevne tæppemundstykke kobles til, når maskinen startes.

8. OBS!

Støvsug aldrig væske, glasskår eller aske!

9 Filter

Maskinens filtre er placeret i dækslet. Løft filterholderen ud som vist på **billede a** og løft derefter filterne ud. På **billede b** vises standardfilteret, på **billede c** finfilteret. Kontrollér begge filtre med jævne mellemrum, f.eks. når posen skiftes, og udskift dem efter behov.Der kan i stedet for disse to filtre anvendes et mikrofilter af HEPA-kvalitet (**e**). Dette filter filtrerer udblæsningsluften for 99,99% af alle partikler større end 0,3 mikron. Maskinen er også udstyret med et katastrofe- filter (**d**), der er placeret ovenpå motordelen. Dette filter skal kontrolleres og eventuelt skiftes, når posen skiftes.

VIGTIGT!


GD 930/S2 er forsynet med en speciel ledning, hvis den bliver beskadiget skal den udskiftes med en tilsvarende ledning af sagkyndig person.

GD930/S2harentermosikring,somforhindreroverophedning. Slår termosikringen fra, vil det tage ca. 5-10 min., før maskinen starter igen. Sluk for maskinen og kontrollér slange, pose og filter, som sikkerhed for at intet hindrer fri luftgennemstrømning.

OBS!

Tag stikket ud af stikkontakten, når du rengjøring og åbner maskinen.



Symbolet,  som findes på produktet eller emballagen, viser, at produktet ikke må bortskaffes sammen med almindeligt husholdningsaffald. Det skal derimod afleveres på en miljøstation, som er godkendt til håndtering af elektrisk og elektronisk udstyr. Sørg for at bortskaffe produktet korrekt, så du kan være med til at forebygge skader på miljøet og menneskers sundhed. Hvis du ønsker yderligere oplysninger om, hvordan produktet genvindes, kan du henvende dig hos kommunen, en miljøstation eller forretningen, hvor du købte produktet.

VAROITUS!

Käyttäessäsi sähkölaitetta noudata aina asiaankuuluvaa varovaisuutta. Lue kaikki ohjeet, ennen kuin käytät tätä pölynimuria.

Tulipalon, sähköiskujen ja vahinkojen välttämiseksi noudata seuraavia ohjeita:

- Vain sisäkäyttöön
- Älä jätä sähköpistorasiaan liitettyä laitetta ilman valvontaa. Vedä pistotulppa pois pistorasiasta, kun olet lo pettanut laitteen käytön ja aina ennen huoltoa.
- Pölynimuria ei saa käyttää leluina. Ole tarkkaavainen imuroidessasi lasten läheisyydessä ja valvo lapsen imurointia.
- Imuria saa käyttää ainoastaan ohjeissa kuvatulla tavalla. Huollon saa suorittaa vain valtuutettu huoltohenkilö, laitteeseen saa käyttää vain alkuperäisiä varaosia ja siihen saa liittää vain valmistajan suosittelemia tarvikkeita. Älä tee laitteelle mitään muutoksia.
- Älä koskaan imuroi ilman suodatinta.
- Varoitus! Älä koskaan imuroi terveydelle vahingollista materiaalia, jos Hepa-suodatin ei ole asennettuna.
- Imuroidessasi terveydelle vaarallista materiaalia noudata koneen, pölypussin, suodattimen ja muiden tarvikkeiden käsittelyssä niitä määräyksiä, jotka koskevat ko. materiaalia.
- Laitetta ei saa käyttää, jos sen johto tai pistotulppa on vahingoittunut. Jos imuri ei toimi kuten sen pitäisi, jos se on pudonnut, vahingoittunut, jätetty ulos tai pudonnut veteen, toimita se huoltopisteeseen.
- Älä vedä tai kanna imuria johdosta, älä käytä johtoa kädensijana, jätä sitä oven väliin tai vedä terävien reunojen tai kulmien yli. Älä vedä imuria johdon yli. Pidä johto poissa kuumilta pinnoilta.
- Älä vedä pistotulppaa pois pistorasiasta johdosta kiinni pitäen. Tartu pistotulppaan, älä johtoon.
- Älä imuroi nesteitä. Älä käytä imuria kosteassa ympäristössä. Älä käsittele pistotulppaa tai imuria märin käsin. Puhdista imuri kuivalla rievulla.
- Lapset eivätkä fyysikaltaan, tuntoaisteiltaan tai henkiseltä kunnoltaan heikentyneet henkilöt saa käyttää tätä laitetta. Laitetta ei saa myöskään käyttää ilman asiantunte musta ja laitetuntemusta ennen ohjauksen tai opastuksen saamista. Lasten oleskellessa laitteen läheisyydessä on valvottava, etteivät ne leiki laitteella ja heitä on opastettava, ettei laitteella saa leikkiä.

- Älä imuroi mitään palavaa, hehkuvaa tai savuavaa, kuten savukkeita, tulitikkuja tai kuumaa tuhkaa äläkä mitään syttyvää ainetta tai kaasua. Älä myöskään kuljeta imuria tällaisten aineiden päällä.
- Älä imuroi teräviä esineitä kuten lasinsiruja ja nauloja.
- Sulje kaikki ohjaukset, ennen kuin vedät pistotulpan pois pistorasiasta.
- Noudata erityistä varovaisuutta imuroidessasi portaita.
- Älä imuroi syttyvien tai palavien kaasujen tai nesteiden kuten bensiinin läheisyydessä.
- Katkaise virta, ennen kuin liität tai irrotat suuttimia.

KAKSOISERISTETYN LAITTEEN HUOLTO

Kaksoiseristys korvaa maadoituksen. Laitetta, jonka arvokilvessä on kaksoiseristyksen merkki (pieni neliö isomman sisällä), ei saa maadoittaa.



Kaksoiseristetyn laitteen huolto vaatii suurta huolellisuutta ja järjestelmän tuntemusta. Siksi sen saa suorittaa vain pätevä huoltohenkilö. Vaihto-osien on oltava identtisiä alkuperäisten kanssa.

Äänenteho BS 5415 -standardin mukaan:

GD 930	53 dB(A)
GD 930 S2 hidas	45 dB(A)
GD 930 S2 nopea	53 dB(A)

Äänenteho suuttimen ollessa lattiaa vasten standardin IEC 704 mukaisesti:

GD 930	76 dB(A)
GD 930 S2 hidas	71 dB(A)
GD 930 S2 nopea	76 dB(A)

Pidätämme oikeuden erittelyjen ja yksityiskohtien muutoksiin ennalta ilmoittamatta.

Tämä laite täyttää EN-asettamat määräykset 89/336/EU, 93/31/EU, 73/23/EU, 93/68/EU.

SÄILYTÄ NÄMÄ TURVAOHJEET

1. Avaus

Vedä lukituskiinnike ylös- ja ulospäin (a) ja nosta kansi (b)

2. Pölypussi

Aseta pölypussin aukko imurin säiliössä olevan putken ympärille, ja aseta pölypussin pidike paikoilleen.

3. Letkun kiinnitys

Työnnä letkuliitin täysin perille koneeseen ja käännä sitä myötäpäivään.

4. Imuputket

a) Vakiovaruste: Liitä imuputket yhteen ja kiristä liitos kiertämällä.

b) Teleskooppiputki (lisävaruste): Säädä teleskooppiputken pituus työntämällä nuppia ja siirtämällä putkea. Portaiden imurointi käy parhaiten lyhimmillen säädetyllä teleskooppiputkella.

5. Suutin

Kuvien lisävarusteet voivat vaihdella mallista riippuen.

a-b) Lattia-mattoyhdistelmäsuutin

Suutinta voidaan jalalla painaen muuttaa sopivaksi niin koville kuin pehmeillekin pinnoille.

c) **Yleissuutin:** Voidaan käyttää sekä kovilla että pehmeillä lattiapinnoilla.

d) **Rakosuutin:** Käytetään ahtaisten paikkojen imuroinnissa, kuten tuolit, patterit jne.

e) **Huonekalusuutin:** Huonekalusuutin on kaksipuolinen ja soveltuu mm. kalusteiden, verhojen ja taulujen imurointiin. Letkun taiteessa on käytännöllinen pidike suuttimelle.

6. Imutehon säädin

Laskemalla kahvassa sijaitsevasta vivusta korvaavaa ilmaa imurin putkeen voidaan imutehoa tarpeen vaatiessa laskea.

7. Käynnistys/Pysäytys

a) Jalkakäyttöinen käynnistys/pysäytyspainike

b) Nopea/hidas (vain GD 930S2)

Kun painike on alaspainettuna, kone käy täydellä teholla. Kun painike on ylhäällä, kone käy alennetulla teholla.

c) Moottorikäyttöisen mattosuuttimen sähkö-liitäntä kytkeytyy konetta käynnistettäessä.

8. Tärkeää!

Älä imuroi nestettä, tuhkaa tai lasinsiruja!

9. Suodattimet

Koneen pääsuodattimet on sijoitettu kanteen. Ne saadaan esille nostamalla suodattimen pidike pois kuvassa a esitetyllä tavalla ja irrottamalla sen jälkeen suodattimet.

Kuvassa b on vakiosuodatin ja **kuvassa c** hienosuodatin. Tarkasta nämä suodattimet säännöllisin väliajoin esimerkiksi pölypussin vaihdon yhteydessä ja vaihda ne tarvittaessa.

Näiden kahden suodattimen sijasta voidaan käyttää HEPA-laatuista mikrosuodatinta (**e**). Tämä suodatin puhdistaa 99,99 % ulospuhallusilman yli 0,3 mikronin kokoisista hiukkasista.

Kone on varustettu myös turvasuodattimella (**d**), joka on sijoitettu moottoriosan päälle. Tämä suodatin on tarkastettava ja tarvittaessa vaihdettava pölypussin vaihdon yhteydessä.

TÄRKEÄÄ

Mikäli GD 930/GD 930S2 pölynimurin johto vaurioituu, tulee se vaihtaa samanlaiseen. Samanlaisia johtoja on saatavilla valtuutetuista huoltoilikeistä. Johdon vaihdon saa suorittaa vain koulutettu huoltohenkilö.

GD 930/GD 930S2 pölynimuri on varustettu automaattisella ylikuumenemissuojalla, jotta moottori ei vaurioituisi ylikuumenemisen johdosta. Mikäli imuri ylikuumenemisen johdosta sammuu, tulee Sinun odottaa noin 5-10 minuuttia ennen kuin käynnistät imurin uudelleen. Odotellessasi tarkista ettei letkussa, pölypussissa tai suodattimessa ole tukosta, joka estää ilman kulkeutumisen moottorin läpi.

HUOMIO!

Irroita imurin johto sähköpistokkeesta ennen huoltotoimenpiteitä.



Tuotteessa tai pakkauksessa oleva symboli ilmaisee, että tuotetta ei voi hävittää talousjätteen mukana. Sen sijaan tuote on vietävä sähköisten ja elektronisten laitteiden kierrätykseen tarkoitettuun keräyspisteeseen. Kun huolehdit tuotteen asianmukaisesta hävittämisestä, autat edistämään ympäristön ja ihmisten hyvinvointia, jonka tuotteen virheellinen hävittäminen voi vaarantaa. Lisätietoa tämän tuotteen kierrättämisestä saat jätteenkäsittelypisteistä tai samasta liikkeestä, josta ostit tuotteen.

www.nilfisk.com

www.nilfisk.com



Nilfisk-Advance A/S
Sognevej 25
DK-2605 Broendby
Tel. +45 43238100
Fax +45 43437700
www.nilfisk.com

Free Manuals Download Website

<http://myh66.com>

<http://usermanuals.us>

<http://www.somanuals.com>

<http://www.4manuals.cc>

<http://www.manual-lib.com>

<http://www.404manual.com>

<http://www.luxmanual.com>

<http://aubethermostatmanual.com>

Golf course search by state

<http://golfingnear.com>

Email search by domain

<http://emailbydomain.com>

Auto manuals search

<http://auto.somanuals.com>

TV manuals search

<http://tv.somanuals.com>