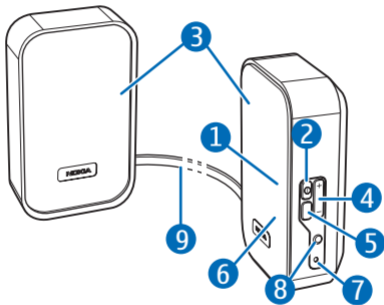


# Nokia Bluetooth Speakers MD-7W

---



## DECLARATION OF CONFORMITY

Hereby, NOKIA CORPORATION declares that this MD-7W product is in compliance with the essential requirements and other relevant provisions of Directive 1999/5/EC. A copy of the Declaration of Conformity can be found at [http://www.nokia.com/phones/declaration\\_of\\_conformity/](http://www.nokia.com/phones/declaration_of_conformity/).

# CE 0499

© 2008 Nokia. All rights reserved.

Nokia and Nokia Connecting People are registered trademarks of Nokia Corporation. Other product and company names mentioned herein may be trademarks or tradenames of their respective owners. Reproduction, transfer, distribution, or storage of part or all of the contents in this document in any form without the prior written permission of Nokia is prohibited.

Bluetooth is a registered trademark of Bluetooth SIG, Inc.

Nokia operates a policy of ongoing development. Nokia reserves the right to make changes and improvements to any of

the products described in this document without prior notice.

To the maximum extent permitted by applicable law, under no circumstances shall Nokia or any of its licensors be responsible for any loss of data or income or any special, incidental, consequential or indirect damages howsoever caused.

The contents of this document are provided "as is". Except as required by applicable law, no warranties of any kind, either express or implied, including, but not limited to, the implied warranties of merchantability and fitness for a particular purpose, are made in relation to the accuracy, reliability or contents of this document. Nokia reserves the right to revise this document or withdraw it at any time without prior notice. The availability of particular products may vary by region. Please check with your Nokia dealer for details.

Unauthorized changes or modifications to this device may void the user's authority to operate the equipment.

### Export Controls

This device may contain commodities, technology or software subject to export

laws and regulations from the US and other countries. Diversion contrary to law is prohibited.

## Introduction

---

Congratulations on your purchase. With Nokia Bluetooth Speakers MD-7W, you can listen to music from your compatible mobile or music device and enjoy the high-quality audio.

You can connect the speakers to a compatible device using Bluetooth wireless technology or the supplied cable. The cable also serves as an FM radio antenna that you can use with the FM radio of your music device (if it has one).

Read this user guide carefully before using the speakers. Also read the user guide for the device that you connect to the speakers, which provides important safety and maintenance

information. Keep all accessories and enhancements out of the reach of small children.

### Bluetooth wireless technology

Bluetooth wireless technology allows you to connect compatible devices without cables. A Bluetooth connection does not require that the speakers and the other device be in line of sight, but both devices should be within 10 meters (33 feet) of each other. Connections may be subject to interference from obstructions, such as walls, or other electronic devices.

The speakers comply with the Bluetooth Specification 2.0 + EDR that supports Advanced Audio

Distribution Profile (A2DP) 1.0 and Audio/Video Remote Control Profile (AVRCP) 1.0. Check with the

manufacturers of other devices to determine their compatibility with this device.

## Getting started

---

### Parts

The speakers contain the parts shown on the title page: power and Bluetooth indicator light (1), power key (2), speakers (3), volume key (4), stereo widening key (5), indicator light for stereo widening (6), power connector (7), audio connector (8), and speaker connection cord (9).

Parts of the speakers are magnetic. Metallic materials may be attracted to the speakers. Do not place credit cards or other magnetic storage media near the speakers, because information stored on them may be erased.

### Chargers

Check the model number of any charger before use with this device. This device is intended for use when supplied with power from the AC-4 charger.



**Warning:** Use only chargers approved by Nokia for use with this particular device.

The use of any other types may invalidate any approval or warranty and may be dangerous.

When you disconnect the power cord of any enhancement, grasp and pull the plug, not the cord.

## Connect to power

The speakers can be powered by the supplied charger or four AA batteries.

### Connect to wall outlet

To use the speakers with the charger, connect the charger to a wall outlet, and plug the charger cable to the power connector.

If you use rechargeable batteries with the speakers, the batteries are not charged by the charger.

### Install AA batteries

To install the batteries, ensure that the speakers are switched off, and press the release switch of the battery cover at the back of each speaker. Lift the cover.

Place the batteries as indicated in the compartment. To close the cover, insert the catch at the top of the cover into the corresponding slot on the

speaker, and push the cover against the speaker until it snaps into place.

During long periods where the speakers are not used, remove the batteries to prevent damage from battery leakage.

When battery power is low, the orange indicator light starts to flash, and the speakers beep.

## Switch the speakers on or off

To switch on, press and hold the power key until the white indicator light turns on.

To switch off, press the power key. The orange indicator light is briefly displayed.

## Connect the speakers

You can connect the speakers to a compatible music device (such as a music player or mobile phone with a music player feature) using Bluetooth wireless technology or the supplied

cable. To use a Bluetooth connection, the music device must support the A2DP Bluetooth profile.

### Pair and connect using Bluetooth wireless technology

The following instructions apply for a mobile phone but the procedure is the same for a music player, except that you may not need to give the Bluetooth passcode.

1. Ensure that the speakers are off and that the phone is on.
2. Press and hold the power key until the white indicator light starts to flash.
3. Activate the Bluetooth feature on the phone, and set it to search for Bluetooth devices.
4. Select the speakers from the list of found devices.
5. Enter the Bluetooth passcode

speakers to the phone. In some phones you may need to make the connection separately after pairing.

If the pairing is successful and the speakers are in a Bluetooth connection with the music device, the white indicator light flashes about every 4 seconds.

### Connect using a cable

You can connect the speakers to a compatible device with the supplied CA-63U cable.

To connect the speakers to a device that has a standard 3.5 mm audio connector, plug the cable into the audio connector on the speakers and the other device.

When the speakers are connected to the other device using the cable, the white indicator is continuously on.

0000 to pair and connect the

## Basic use

### Listen to music

When the speakers are connected to a compatible music device, start the music playback on the device.



**Warning:** Listen to music at a moderate level. Continuous exposure to high volume may damage your hearing.

To widen the stereo image of the sound, check that this feature is off in your music device, and press the stereo widening key. The white indicator light for stereo widening turns on.

### Adjust the volume

To set the volume of the speakers, press either volume key. If the sound level of the speakers becomes too low when using battery power, change the batteries.

### Carry the speakers

To take the speakers with you, press the speaker elements against each other, and use the speaker connection cord as a carrying strap.

### Clear settings

To clear the volume and stereo widening settings, switch off the speakers. Press and hold the power key, stereo widening key, and volume up key at the same time.

## Care and maintenance

Your device is a product of superior design and craftsmanship and should be treated with care. The following suggestions will help you protect your warranty coverage.

- Keep the device dry. Precipitation, humidity, and all types of liquids or moisture can contain minerals that will corrode electronic circuits. If your device does get wet, allow it to dry completely.
- Do not use or store the device in dusty, dirty areas. Its moving parts and electronic components can be damaged.
- Do not store the device in hot areas. High temperatures can shorten the life of electronic devices, damage batteries, and warp or melt certain plastics.
- Do not store the device in cold areas. When the device returns to its normal temperature, moisture can form

inside the device and damage electronic circuit boards.

- Do not drop, knock, or shake the device. Rough handling can break internal circuit boards and fine mechanics.
- Do not use harsh chemicals, cleaning solvents, or strong detergents to clean the device.
- Do not paint the device. Paint can clog the moving parts and prevent proper operation.

If the product is not working properly, take it to the nearest authorised service facility for service.



### Disposal

The crossed-out wheeled-bin symbol on your product, literature, or packaging reminds you that all electrical and electronic products, batteries, and accumulators must be taken to separate collection at the end of their working life.



This requirement applies to the European Union and other locations where separate collection systems are available. Do not dispose of these products as unsorted municipal waste.

By returning the products to collection you help prevent uncontrolled waste disposal and promote the reuse of material resources. More detailed information is available from the product retailer, local waste authorities, national producer responsibility organizations, or your local Nokia representative. For the product Eco-Declaration or instructions for returning your obsolete product, go to country-specific information at [www.nokia.com](http://www.nokia.com).

## FCC/Industry Canada notice

This device complies with Part 15 of the FCC Rules. Operation is subject to the following two conditions: 1. This device may not cause

harmful interference; and 2. This device must accept any interference received, including interference that may cause undesired operation. This equipment has been tested and found to comply with the limits for a Class B digital device, pursuant to Part 15 of the FCC Rules. These limits are designed to provide reasonable protection against harmful interference in a residential installation. This equipment generates, uses and can radiate radio frequency energy and, if not installed and used in accordance with the instructions, may cause harmful interference to radio communications. However, there is no guarantee that interference will not occur in a particular installation. If this equipment does cause harmful interference to radio or television reception, which can be determined by turning the equipment off and on, the user is encouraged to try to correct the interference by one or more of the following measures: Reorient or relocate the receiving antenna. Increase the separation between the equipment and receiver. Connect the equipment into an outlet on a circuit different from that to which the receiver is connected. Consult the dealer or an

experienced radio/TV technician for help.

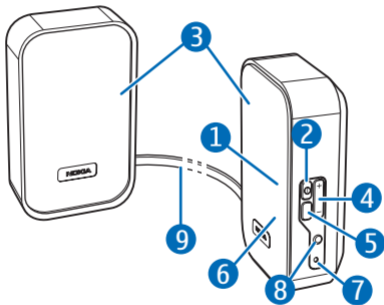
NOTE: FCC Radiation Exposure Statement:

This equipment complies with FCC radiation exposure limits set forth for an uncontrolled environment. This transmitter must not be co-located or operating in conjunction with any other antenna or transmitter. NOTE:

Changes or modifications not expressly approved by Nokia could void the user's authority to operate the equipment.

# Altavoces Bluetooth MD-7W Nokia

---



9206887/1.1

## DECLARACIÓN DE CONFORMIDAD

Mediante la presente, NOKIA CORPORATION declara que el producto MD-7W cumple con los requisitos esenciales y otras disposiciones pertinentes de la Directiva 1999/5/EC. Se puede consultar una copia de la Declaración de Conformidad en inglés, en [http://www.nokia.com/phones/declaration\\_of\\_conformity/](http://www.nokia.com/phones/declaration_of_conformity/).

# CE 0499

© 2008 Nokia. Todos los derechos reservados.

Nokia y Nokia Connecting People son marcas registradas de Nokia Corporation. Otros nombres de productos y compañías aquí mencionados pueden ser marcas registradas o nombres comerciales de sus respectivos propietarios.

Se prohíbe la duplicación, la transferencia, la distribución o el almacenamiento parcial o total del contenido de este documento, de cualquier manera, sin el consentimiento previo por escrito de Nokia.

Bluetooth es una marca registrada de Bluetooth SIG, Inc.

Nokia cuenta con una política de desarrollo continuo. Nokia se reserva el derecho de introducir cambios y mejoras en cualquiera de los productos descritos en este documento sin previo aviso.

Según el máximo alcance permitido por la legislación vigente, en ninguna circunstancia, nokia o sus licenciantes serán responsables de las pérdidas de datos o de ganancias ni de los daños especiales, incidentales, resultantes o indirectos, independientemente de cómo hayan sido causados.

El contenido de este documento se provee "tal como está". A menos que lo requiera la legislación vigente, no se otorgará ninguna garantía, sea expresa o implícita, en relación con la precisión, la confiabilidad o el contenido de este documento, incluidas, con mero carácter enunciativo, las garantías implícitas de comercialización y de idoneidad para un fin determinado. Nokia se reserva el derecho de modificar este documento o discontinuar su uso en cualquier momento sin previo aviso.

La disponibilidad de productos específicos puede variar de una región a otra.

Comuníquese con su distribuidor Nokia para obtener información adicional.

Las modificaciones y cambios no autorizados en este dispositivo podrían invalidar la autoridad del usuario para utilizar el equipo.

Controles de exportación

Este dispositivo puede contener materias primas, tecnología o software sujetos a leyes y regulaciones de exportación de los Estados Unidos y otros países. Se prohíbe su desvío contraviniendo las leyes.

## Introducción

---

Felicitaciones por su compra. Con los Altavoces Bluetooth MD-7W Nokia puede escuchar música en su dispositivo móvil o dispositivo de música compatible y disfrutar de audio de alta calidad.

También puede conectar los altavoces a un dispositivo compatible a través de la tecnología inalámbrica Bluetooth o el cable suministrado. El cable también es una antena de radio FM que puede utilizar con la radio FM del dispositivo de música (si la tuviese).

Lea atentamente este manual del usuario antes de utilizar los altavoces. Lea además el manual del usuario del dispositivo que conecta a los altavoces, en el cual encontrará información importante sobre seguridad y mantenimiento. Mantenga todos los accesorios fuera del alcance de los niños.

### Tecnología inalámbrica Bluetooth

La tecnología inalámbrica Bluetooth le permite conectar dispositivos compatibles sin utilizar cables. Una conexión Bluetooth no requiere que

los altavoces y el otro dispositivo estén en línea directa, pero los dispositivos no deben estar a más de 10 metros (33 pies) entre sí. Las conexiones pueden sufrir interferencias a causa de obstrucciones, como por ejemplo, paredes u otros dispositivos electrónicos.

Los altavoces cumplen con la Especificación Bluetooth 2.0 + EDR que admite el Perfil de distribución de audio avanzado (A2DP) 1.0 y Perfil de control remoto de audio/video (AVRCP) 1.0. Consulte a los fabricantes de otros dispositivos para determinar su compatibilidad con este dispositivo.

## Inicio

---

### Piezas

Los altavoces contienen las piezas que se muestran en la primera página: luz indicadora de energía y Bluetooth (1), tecla encender/apagar (2), altavoces (3), tecla de volumen (4), tecla de ampliación estéreo (5), luz indicadora para ampliación estéreo (6), conector de energía (7), conector de audio (8) y cable de conexión del altavoz (9).

Las piezas de los altavoces son magnéticas y pueden atraer materiales metálicos. No coloque tarjetas de crédito ni otros medios magnéticos de almacenamiento de datos cerca de los altavoces, pues la información que almacenen puede perderse.

### Cargadores

Verifique el modelo del cargador antes de usarlo con este dispositivo. Este

dispositivo está diseñado para su uso con el cargador AC-4.



**Advertencia:** Use sólo cargadores aprobados por Nokia con este dispositivo en

particular. El uso de otros tipos de accesorios puede anular toda aprobación o garantía y podría resultar peligroso.

Cuando desconecte el cable de alimentación de cualquier accesorio, sujételo y tirelo del enchufe, no del cable.

## Conectar a la energía

Los altavoces pueden utilizar como fuente de energía el cargador suministrado o cuatro baterías AA.

### Conectar a un tomacorriente de pared

Para usar los altavoces con el cargador, conecte el cargador a un tomacorriente de pared y enchufe el cable del cargador en el conector de energía.

Si utiliza baterías recargables con los altavoces, tenga en cuenta que el cargador no las recarga.

### Instalar las baterías AA

Para instalar las baterías, asegúrese de que los altavoces estén apagados y presione el botón de liberación de la cubierta de la batería en la parte posterior de cada altavoz. Levante la cubierta.

Coloque las baterías como se indica en el compartimiento. Para cerrar la cubierta, inserte el gancho de la parte superior de la cubierta en la ranura correspondiente del altavoz y empuje la cubierta hacia el altavoz hasta que encaje en su lugar.

Cuando no utilice los altavoces durante períodos prolongados, retire las baterías para evitar daños ocasionados por pérdidas en las baterías.

Cuando la batería tiene poca energía, la luz indicadora de color naranja comienza a parpadear y el altavoz emite un sonido.

## Encender o apagar los altavoces

Para encenderlo, mantenga pulsada la tecla Encender/Apagar hasta que la luz indicadora de color blanco se encienda.

Para apagarlo, pulse la tecla Encender/Apagar. La luz indicadora de color naranja se enciende durante algunos segundos.

## Conectar los altavoces

También puede conectar los altavoces a un dispositivo de música compatible (como un reproductor de música o teléfono móvil con función de reproductor de música) usando la tecnología inalámbrica Bluetooth o el cable suministrado. Para utilizar una conexión Bluetooth, el dispositivo de

música debe admitir el perfil Bluetooth A2DP.

### Vincular y conectar usando tecnología inalámbrica Bluetooth

Las siguientes instrucciones se aplican a un teléfono móvil, pero el procedimiento es el mismo para reproductores de música, con la excepción de que quizás no deba utilizar un código de acceso Bluetooth.

1. Asegúrese de que los altavoces estén apagados y que el teléfono esté encendido.
2. Mantenga pulsada la tecla Encender/Apagar hasta que la luz indicadora de color blanco comience a parpadear.
3. Active la función Bluetooth en el teléfono y prográmelo para que busque dispositivos Bluetooth.



4. Seleccione los altavoces en la lista de dispositivos encontrados.
5. Ingrese el código de acceso Bluetooth 0000 para vincular y conectar los altavoces al teléfono. En algunos teléfonos, luego de realizar la vinculación, tal vez deba efectuar la conexión por separado.

Si la vinculación se realiza correctamente y los altavoces están en una conexión Bluetooth con el dispositivo de música, la luz indicadora de color blanco parpadea cada cuatro segundos.

## Uso básico

### Escuchar música

Cuando los altavoces están conectados a un dispositivo de música compatible, inicie el reproductor de música en el dispositivo.

### Conectar usando un cable

Puede conectar los altavoces a un dispositivo compatible con el cable CA-63U suministrado.

Para conectar los altavoces a un dispositivo compatible que tenga un conector de audio estándar de 3,5 mm, conecte el cable al conector de audio de los altavoces y al otro dispositivo.

Cuando los altavoces están conectados al otro dispositivo a través del cable, el indicador de color blanco se mantiene encendido.



**Advertencia:** Escuche música a un volumen moderado. La exposición prolongada a un nivel de volumen alto puede perjudicar su capacidad auditiva.

Para ampliar la imagen estéreo del sonido, verifique que esta función esté desactivada en el dispositivo de música y pulse la tecla de ampliación estéreo. La luz indicadora de color blanco para la ampliación estéreo se enciende.

### Ajustar el volumen

Para ajustar el volumen de los altavoces, pulse cualquiera de las teclas de volumen. Si el nivel de sonido de los altavoces baja demasiado cuando usa baterías, cambie las baterías.

## Cuidado y mantenimiento

---

Su dispositivo es un producto de diseño y fabricación superiores, y se lo debe tratar con cuidado. Las siguientes sugerencias lo ayudarán a mantener la cobertura de su garantía.

### Transportar los altavoces

Para llevar los altavoces, junte los elementos del altavoz y use el cable de conexión del altavoz como una correa.

### Borrar las configuraciones

Para borrar las configuraciones de volumen y ampliación estéreo, apague los altavoces. Mantenga pulsada al mismo tiempo la tecla Encender/ Apagar, la tecla de ampliación estéreo y la tecla subir volumen.

- Mantenga el dispositivo seco. Las precipitaciones, la humedad y los líquidos contienen minerales que corroen los circuitos electrónicos. Si su dispositivo se moja, espere a que el dispositivo esté completamente seco.

- No utilice ni guarde el dispositivo en lugares sucios o polvorientos. Las piezas móviles y los componentes electrónicos pueden dañarse.
- No guarde el dispositivo en lugares calurosos. Las temperaturas altas pueden reducir la duración de los dispositivos electrónicos, dañar las baterías y deformar o derretir algunos tipos de plástico.
- No guarde el dispositivo en lugares fríos. Cuando el dispositivo recupera su temperatura normal, puede formarse humedad en su interior, lo cual puede dañar las tarjetas de circuitos electrónicos.
- No deje caer, no golpee ni sacuda bruscamente el dispositivo. Los manejos bruscos pueden dañar las tarjetas de circuitos internos y los mecanismos delicados.
- No utilice productos químicos abrasivos, solventes de limpieza ni detergentes fuertes para limpiarlo.

- No pinte el dispositivo. La pintura puede obstruir las piezas móviles e impedir la operación apropiada.

Si el producto no funciona adecuadamente, llévelo al centro de servicio autorizado más cercano.



### Eliminación

El símbolo del contenedor con ruedas tachado en su producto, documentación o embalaje, le recuerda que todos los productos eléctricos y electrónicos, las baterías y los acumuladores deben ser entregados por separado para su eliminación luego de finalizada su vida útil. Este requisito se aplica a la Unión Europea y a otros sitios que disponen de sistemas de recolección separados. No deseche estos productos junto con los demás desperdicios domésticos.

Debe devolver los productos para su recolección a fin de ayudar a evitar la eliminación de desechos no controlada y a promover la reutilización de recursos materiales. El vendedor minorista de los

productos, las autoridades locales de eliminación de desechos, las organizaciones de responsabilidad de la producción nacional o su representante Nokia local cuentan con información más detallada. Para ver la Declaración ecológica del producto o las instrucciones para devolver un producto obsoleto, consulte la información específica de su país en [www.nokia.com](http://www.nokia.com) (en inglés).

## Aviso de la FCC/ Industria Canadiense

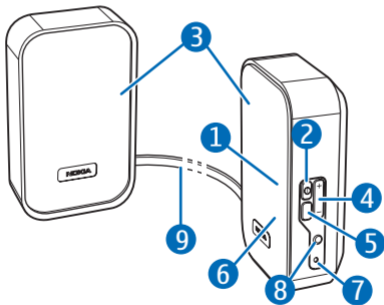
Este dispositivo cumple con lo establecido en la sección 15 de las normas de la FCC. El funcionamiento de este dispositivo está sujeto a las siguientes dos condiciones: (I). este dispositivo no debe causar interferencia perjudicial, y (II) este dispositivo debe aceptar cualquier interferencia recibida, incluso interferencia que pueda causar un

funcionamiento no deseado. Este equipo ha sido probado y cumple con los límites para un dispositivo digital Clase B, en conformidad con la Sección 15 de los Reglamentos de la FCC. Estos límites se diseñaron para ofrecer protección adecuada frente a las interferencias dañinas en una instalación residencial. Este equipo genera, utiliza y puede irradiar energía de radiofrecuencia y, si no se instala ni utiliza según las instrucciones, puede provocar interferencia dañina en las comunicaciones de radio. No obstante, no existe garantía alguna de que no se producirá interferencia en una instalación en particular. En caso de que este equipo provocara interferencia dañina en la recepción de radio o televisión, lo que se puede determinar al apagar y encender el equipo, se recomienda al usuario que trate de corregir la interferencia utilizando una o más de las siguientes medidas: volver a orientar o ubicar la antena receptora. Aumentar la separación entre el equipo y el receptor. Conectar el equipo a un tomacorriente en un circuito distinto al que está conectado el receptor. Si necesita ayuda, consulte con el distribuidor o con un técnico experimentado en radio. (TM, NOTA)

Declaración de exposición a la radiación de la FCC: este equipo cumple con los límites de exposición a la radiación de la FCC determinados para un entorno sin supervisión. Este transmisor no debe ubicarse ni operarse junto a otra antena o transmisor. NOTA: cualquier cambio o modificación que no haya sido expresamente aprobado por Nokia puede anular la legitimación del usuario para operar este equipo.

# Alto-falantes Bluetooth Nokia MD-7W

---



## DECLARAÇÃO DE CONFORMIDADE

A NOKIA CORPORATION declara, neste instrumento, que o produto MD-7W está em conformidade com as exigências básicas e outros dispositivos relevantes da Diretiva 1999/5/EC. Para obter uma cópia da Declaração de Conformidade, acesse o site, em inglês, [http://www.nokia.com/phones/declaration\\_of\\_conformity/](http://www.nokia.com/phones/declaration_of_conformity/).

# CE 0499

© 2008 Nokia. Todos os direitos reservados.

Nokia, Nokia Connecting People e Nokia Care são marcas registradas ou não da Nokia Corporation. Outros nomes de produto e empresa, mencionados neste manual, podem ser marcas comerciais ou nomes comerciais de seus respectivos proprietários.

É proibida a reprodução, transferência, distribuição ou armazenamento, no todo ou em parte, do conteúdo deste documento, de qualquer forma, sem a prévia autorização por escrito da Nokia.

Bluetooth é uma marca registrada da Bluetooth SIG, Inc.

A Nokia adota uma política de desenvolvimento contínuo. A Nokia reserva-se o direito de fazer alterações e melhorias em qualquer dos produtos descritos neste documento sem aviso prévio.

No limite permitido pela lei aplicável, nem a Nokia nem qualquer de seus licenciados poderão ser, em hipótese alguma, responsabilizados por quaisquer perdas de dados, lucros ou lucros cessantes, nem por danos extraordinários, incidentais, conseqüentes ou indiretos, seja qual for a causa.

O CONTEÚDO DESTES DOCUMENTOS É FORNECIDO "NO ESTADO EM QUE SE ENCONTRA" E DEVE SER INTERPRETADO DE MANEIRA LITERAL. SALVO NOS CASOS EM QUE A LEI EM VIGOR O EXIJA, NENHUMA GARANTIA DE QUALQUER ESPÉCIE, EXPRESSA OU IMPLÍCITA, INCLUINDO, ENTRE OUTRAS, AS GARANTIAS IMPLÍCITAS DE COMERCIALIZAÇÃO E ADEQUAÇÃO PARA UMA FINALIDADE ESPECÍFICA, SERÁ OFERECIDA EM RELAÇÃO À PRECISÃO, À CONFIABILIDADE OU AO CONTEÚDO DESTES DOCUMENTOS. A NOKIA RESERVA-SE O DIREITO DE REVISAR ESTES DOCUMENTOS OU

DE EXCLUÍ-LO A QUALQUER MOMENTO,  
SEM AVISO PRÉVIO.

A disponibilidade de determinados produtos, seus aplicativos e serviços pode variar conforme a região. Verifique, com o revendedor Nokia, os detalhes e a disponibilidade de opções de idioma.

Alterações ou modificações não autorizadas neste aparelho podem impedir que o usuário opere adequadamente o equipamento.

Controles de exportação

Este dispositivo contém produtos, tecnologia ou software sujeitos às leis e regulamentos de exportação dos Estados Unidos da América e outros países. Proíbe-se qualquer uso contrário às referidas leis.



# Anatel



Este produto está homologado pela Anatel de acordo com os procedimentos regulamentados pela Resolução número 242/2000 e atende aos requisitos técnicos aplicados.

[www.anatel.gov.br](http://www.anatel.gov.br)

*"Este equipamento opera em caráter secundário, isto é, não tem direito à proteção contra interferência prejudicial, mesmo de estações do mesmo tipo, e não pode causar interferência a sistemas operando em caráter primário."*

**NOKIA**  
Connecting People

Os logotipos Nokia, Connecting People e Original Enhancements são marcas registradas e/ou marcas comerciais da Nokia Corporation e/ou companhias afiliadas.

## Apresentação

Parabéns pela aquisição. Com os Alto-falantes Bluetooth Nokia MD-7W, você pode escutar música no seu dispositivo de música ou móvel compatível e aproveitar um áudio de alta qualidade.

Você pode conectar os alto-falantes a um dispositivo compatível usando a tecnologia Bluetooth ou o cabo fornecido. O cabo também serve como antena de rádio FM que pode ser usada com o rádio FM de seu dispositivo de música (se houver algum).

Leia atentamente o Manual do Usuário antes de usar os alto-falantes. Leia também o Manual do Usuário do dispositivo conectado aos alto-falantes, que fornece informações importantes sobre segurança e manutenção. Mantenha todos os acessórios fora do alcance de crianças.

## Tecnologia Bluetooth

A tecnologia Bluetooth permite a conexão sem fio entre dispositivos compatíveis. A conexão Bluetooth não exige que os alto-falantes e o outro dispositivo estejam alinhados, mas eles devem estar a uma distância máxima de 10 metros um do outro. As conexões podem estar sujeitas a interferências causadas por obstruções, como paredes ou outros aparelhos eletrônicos.

Os alto-falantes estão em conformidade com a Especificação Bluetooth 2.0 + EDR que suporta o Perfil de Distribuição de Áudio Avançado (A2DP) 1.0 e o Perfil de Controle Remoto de Áudio/Vídeo (AVRCP) 1.0. Consulte os fabricantes de outros dispositivos para determinar sua compatibilidade com esse dispositivo.

## Introdução

### Componentes

Os alto-falantes contêm os componentes exibidos na página de título: luz indicadora de energia e Bluetooth (1), botão Liga/Desliga (2), alto-falantes (3), tecla de volume (4), tecla Amplificação de estéreo (5), luz indicadora de Amplificação de estéreo (6), conector de energia (7), conector de áudio (8) e cabo de conexão de alto-falante (9).

Determinados componentes deste dispositivo são magnéticos. O dispositivo pode atrair materiais metálicos. Não coloque cartões de crédito nem qualquer outro meio de armazenamento magnético próximo aos alto-falantes, pois as informações neles contidas poderão ser apagadas.

### Carregadores

Confira o número do modelo do carregador antes de conectá-lo a este dispositivo. Este dispositivo foi projetado para uso com o carregador AC-4.



**Aviso:** Use apenas carregadores aprovados pela Nokia para uso com este dispositivo específico. O uso

de outros tipos de carregadores pode invalidar qualquer aprovação ou garantia, além de oferecer perigo.

Para desligar o cabo de energia de qualquer acessório, segure e puxe o plugue, não o cabo.

### Conectar à energia

Os alto-falantes podem ser usados com o carregador fornecido ou quatro pilhas AA.

## Conectar a uma tomada

Para usar os alto-falantes com o carregador, conecte o carregador a uma tomada comum e ao conector de energia. Se pilhas recarregáveis forem usadas com os alto-falantes, as pilhas não serão carregadas pelo carregador.

## Instalar pilhas AA

Para instalar as pilhas, certifique-se de que os alto-falantes estejam desligados e pressione a chave de liberação da tampa da bateria na parte de trás de cada alto-falante. Levante a tampa.

Coloque as pilhas de acordo com as indicações do compartimento. Para fechar a tampa, insira a trava na parte de cima da tampa no compartimento correspondente no alto-falante e empurre a tampa na direção do alto-falante até encaixá-la no lugar.

Se você não for utilizar os alto-falantes por um longo período, remova as

pilhas para evitar danos decorrentes de vazamento.

Quando a carga da bateria estiver fraca, a luz indicadora laranja começará a piscar e os alto-falantes emitirão um bipe.

## Ligar ou desligar os alto-falantes

Para ligar, pressione e mantenha pressionado o botão Liga/Desliga até que a luz indicadora branca acenda.

Para desligar, pressione o botão Liga/Desliga. O indicador laranja é exibido rapidamente.

## Conectar os alto-falantes

Você pode conectar os alto-falantes a um dispositivo de música compatível (como um Music player ou um celular com recurso de Music player) usando a tecnologia Bluetooth ou o cabo fornecido. Para usar uma conexão Bluetooth, o dispositivo de música deve suportar o perfil Bluetooth A2DP.

### Associar e conectar usando a tecnologia Bluetooth

As seguintes instruções se aplicam para um celular, mas o procedimento é o mesmo para um Music player, com a exceção de que você não precisa fornecer a senha Bluetooth.

1. Certifique-se de que os alto-falantes estejam desligados e o celular ligado.
2. Pressione e mantenha pressionado o botão Liga/Desliga até que a luz indicadora branca comece a piscar.
3. Ative o recurso Bluetooth do telefone e defina-o para procurar dispositivos Bluetooth.
4. Selecione os alto-falantes na lista de dispositivos encontrados.
5. Digite a senha Bluetooth 0000 para associar e conectar os alto-falantes ao telefone. Em alguns telefones, talvez seja necessário

fazer a conexão separadamente após a associação.

Se a associação foi bem-sucedida e os alto-falantes estiverem em uma conexão Bluetooth com o dispositivo de música, a luz indicadora branca piscará a cada quatro segundos aproximadamente.

### Conectar usando um cabo

Você pode conectar os alto-falantes a um dispositivo compatível com o cabo CA-63U fornecido.

Para conectar os alto-falantes a um dispositivo com um conector de áudio padrão de 3,5 mm, conecte o cabo ao conector de áudio nos alto-falantes e ao outro dispositivo.

Quando os alto-falantes estiverem conectados ao outro dispositivo usando o cabo, o indicador branco ficará aceso de modo contínuo.

## Uso básico

### Ouvir música

Quando os alto-falantes estiverem conectados a um dispositivo de música compatível, inicie a reprodução da música no dispositivo.



**Aviso:** Mantenha o volume em um nível moderado. A exposição contínua a volumes

muito altos poderá causar danos à sua audição.

Para amplificar a imagem estéreo do som, verifique se esse recurso está desativado em seu dispositivo de música e pressione a tecla Amplificação de estéreo. A luz indicadora branca para Amplificação de estéreo acende.

### Ajustar o volume

Para definir o volume dos alto-falantes, pressione qualquer uma das teclas de volume. Se o nível de som dos alto-falantes estiver muito baixo ao usar pilhas, troque-as.

### Transportar os alto-falantes

Para levar os alto-falantes com você, pressione as peças do alto-falante uma contra a outra e use o cabo de conexão do alto-falante como alça.

### Apagar configurações

Para apagar as configurações de volume e de Amplificação de estéreo, desligue os alto-falantes. Pressione e mantenha pressionados simultaneamente o botão Liga/Desliga, a tecla de Amplificação de estéreo e a tecla de volume para cima.

## Cuidado e manutenção

O seu dispositivo é um produto de qualidade superior e deverá ser tratado com cuidado. As sugestões a seguir ajudarão a assegurar a cobertura da garantia.

- Mantenha o dispositivo seco. Chuva, umidade e todos os tipos de líquidos podem conter minerais que provocam corrosão dos circuitos eletrônicos. Se o dispositivo entrar em contato com líquidos, deixe-o secar completamente.
- Não utilize nem guarde o dispositivo em locais com pó e sujeira. Os componentes móveis e eletrônicos poderão ser danificados.
- Não guarde o dispositivo em locais quentes. As altas temperaturas podem reduzir a vida útil dos dispositivos eletrônicos, danificar as baterias e deformar ou derreter determinados plásticos.

- Não guarde o dispositivo em locais frios. Quando o dispositivo voltar à temperatura normal, poderá haver formação de umidade na parte interna e danos nas placas dos circuitos eletrônicos.
- Não derrube nem faça movimentos bruscos com o dispositivo. O manuseio indevido pode quebrar as placas do circuito interno e os mecanismos mais delicados.
- Não utilize produtos químicos, diluentes ou detergentes abrasivos para limpar o dispositivo.
- Não pinte o dispositivo. A pintura pode obstruir os componentes móveis e impedir o funcionamento correto.

Se o produto não estiver funcionando corretamente, leve-o à assistência técnica autorizada mais próxima.



## Descarte

O símbolo do contentor de lixo riscado presente em seu produto, na documentação ou embalagem, serve para lembrá-

lo de que todos os produtos eletroeletrônicos, baterias e acumuladores devem ser separados para coleta seletiva no final da vida útil. Essa exigência se aplica à União Europeia e a outros locais onde existem sistemas de coleta seletiva. Não descarte esses produtos como lixo doméstico.

Separe os produtos para coleta seletiva a fim de evitar o descarte descontrolado de lixo e promover a reutilização sustentável de recursos materiais. Informações sobre coleta seletiva podem ser obtidas com revendedores, autoridades locais de coleta de lixo, organizações nacionais de responsabilidade do produtor ou com o seu representante Nokia local. Para obter a Eco-Declaração do produto, instruções sobre a devolução de produtos que você não utiliza mais ou informações específicas do país, acesse o site (em inglês) [www.nokia.com](http://www.nokia.com).

## Garantia limitada

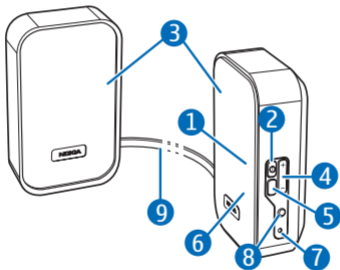
---

O Certificado de Garantia encontra-se na caixa do produto e deve ser apresentado para qualquer prestação de serviço de assistência técnica em um Posto de Serviço Autorizado Nokia.



# Haut-parleurs Bluetooth MD-7W de Nokia

---



9206887/1.1

## DÉCLARATION DE CONFORMITÉ

Par la présente, NOKIA CORPORATION déclare que le produit MD-7W est conforme aux exigences essentielles et aux dispositions pertinentes de la Directive 1999/5/EC. Une copie de la déclaration de conformité se trouve à l'adresse [http://www.nokia.com/phones/declaration\\_of\\_conformity/](http://www.nokia.com/phones/declaration_of_conformity/).

# CE 0499

© 2008 Nokia. Tous droits réservés.

Nokia et Nokia Connecting People sont des marques déposées de Nokia Corporation. Les autres noms de produit et de société mentionnés dans le présent document sont des marques de commerce ou des appellations commerciales de leurs propriétaires respectifs.

Il est interdit de reproduire, transférer, distribuer ou stocker une partie ou la totalité du contenu du présent document, sous quelque forme que ce soit, sans l'autorisation écrite préalable de Nokia.

Bluetooth est une marque déposée de

Bluetooth SIG, Inc.

Nokia applique une politique de développement continu. Nokia se réserve le droit d'apporter des modifications et des améliorations à tout produit mentionné dans le présent document sans avis préalable.

Dans la mesure où les lois en vigueur le permettent, Nokia ou toute partie concédante ne peut en aucun cas être tenue responsable de toute perte de données ou de tout manque à gagner ainsi que de tout dommage particulier, accessoire, consécutif, punitif ou indirect, quelle qu'en soit la cause.

Le contenu de ce document est fourni « tel quel ». Dans la mesure permise par les lois applicables, aucune garantie, expresse ou implicite, y compris, mais sans se limiter aux garanties implicites de qualité marchande ou d'adéquation à un usage particulier, n'est donnée en ce qui concerne l'exactitude, la fiabilité ou le contenu du présent document. Nokia se réserve le droit de modifier ou d'annuler le présent document à tout moment sans préavis.

La disponibilité des produits peut varier selon les régions. Renseignez-vous auprès de votre détaillant Nokia pour plus de détails.

Les modifications ou les changements non approuvés apportés à cet appareil pourraient annuler le droit de l'utilisateur de se servir de l'appareil.

Contrôle des exportations

Cet appareil peut contenir des marchandises,

des technologies ou des logiciels assujettis aux lois et aux règlements sur l'exportation en vigueur aux États-Unis et dans d'autres pays. Il est interdit d'exporter ce produit en contravention de la loi.

## Introduction

---

Félicitations pour votre achat. Les haut-parleurs Bluetooth MD-7W de Nokia vous permettent d'écouter de la musique avec votre téléphone cellulaire ou un autre appareil audio et de profiter d'une excellente qualité sonore.

Vous pouvez connecter les haut-parleurs à un appareil compatible à l'aide de la technologie sans fil Bluetooth ou du câble fourni. Le câble sert également d'antenne radio FM que vous pouvez utiliser avec la fonction de radio FM de votre appareil

audio (s'il est équipé de cette fonction).

Lisez attentivement le présent guide d'utilisation avant de vous servir des haut-parleurs. Lisez aussi le guide d'utilisation de l'appareil auquel vous les connectez, qui contient d'importants renseignements sur la sécurité et l'entretien. Conservez tous les accessoires hors de la portée des jeunes enfants.

### Technologie sans fil Bluetooth

La technologie sans fil Bluetooth permet de connecter des appareils

compatibles sans utiliser de câble. Une connexion Bluetooth n'exige pas que les haut-parleurs et l'autre appareil soient placés en ligne directe, mais les deux appareils devraient être situés à moins de 10 mètres (33 pieds) l'un de l'autre. Cependant, cette connexion est sensible aux interférences provoquées par des obstacles tels que les murs, ou par d'autres appareils électroniques.

Les haut-parleurs sont conformes à la norme Bluetooth 2.0 + EDR qui prend en charge les profils Diffusion audio avancée (Advanced Audio Distribution Profile – A2DP) 1.0 et Télécommande audio/vidéo (Audio/Video Remote Control Profile – AVRCP) 1.0. Pour vérifier la compatibilité d'autres appareils, communiquez avec leur fabricant respectif.

## Avant de commencer

### Pièces

Les haut-parleurs comprennent les pièces illustrées à la page titre : voyant d'alimentation et de connectivité Bluetooth (1), interrupteur (2), haut-parleurs (3), touche de réglage du volume (4), touche d'amplification stéréo (5), voyant lumineux d'amplification

stéréo (6), connecteur d'alimentation (7), connecteur audio (8) et câble des haut-parleurs (9).

Votre appareil comprend des pièces magnétiques qui pourraient attirer les articles en métal. Ne mettez pas de cartes de crédit ou d'autres supports de stockage magnétiques à proximité des haut-parleurs; cela risquerait d'effacer l'information qu'ils contiennent.

## Chargeurs

Vérifiez toujours le numéro de modèle du chargeur avant de l'utiliser avec cet appareil. Votre appareil est destiné à être alimenté par un chargeur AC-4.



**Mise en garde :** N'utilisez que des chargeurs approuvés par Nokia pour cet appareil.

L'utilisation de tout autre accessoire peut annuler toute homologation ou garantie s'appliquant à l'appareil et peut se révéler dangereuse.

Lorsque vous débranchez le cordon d'alimentation, tirez sur la fiche et non sur le cordon.

## Alimentation

Les haut-parleurs peuvent être alimentés par quatre piles AA ou par le chargeur fourni.

## Brancher le chargeur dans une prise murale

Pour utiliser les haut-parleurs avec le chargeur, branchez ce dernier dans une prise murale, puis branchez sa fiche dans le connecteur d'alimentation.

Si vous utilisez des piles rechargeables avec les haut-parleurs, elles ne seront par rechargées par le chargeur.

## Installer les piles AA

Pour installer les piles, assurez-vous que les haut-parleurs sont éteints, appuyez sur le bouton de déverrouillage du compartiment des piles à l'arrière de chacun des haut-parleurs, puis soulevez le couvercle.

Insérez les deux piles dans le logement dans le sens indiqué. Pour remettre le couvercle en place, insérez le loquet dans la fente correspondante sur le

haut-parleur, puis appuyez dessus jusqu'à ce qu'il s'enclenche.

Si vous prévoyez ne pas utiliser les haut-parleurs durant une période prolongée, retirez-en les piles afin d'empêcher tout dommage causé par une fuite des piles.

Lorsque la pile est presque déchargée, le voyant commence à clignoter en orange et les haut-parleurs émettent un signal sonore.

### Allumer et éteindre les haut-parleurs

Pour allumer les haut-parleurs, maintenez l'interrupteur enfoncé jusqu'à ce que le voyant lumineux s'allume en blanc.

Pour l'éteindre, appuyez sur l'interrupteur. Le voyant s'allume brièvement en orange.

### Connecter les haut-parleurs

Vous pouvez connecter les haut-parleurs à un appareil audio compatible — tel qu'un lecteur de musique ou un téléphone cellulaire muni d'une fonction de lecture musicale — à l'aide de la technologie sans fil Bluetooth ou du câble fourni dans l'emballage. Pour utiliser la connectivité Bluetooth, l'appareil audio doit prendre en charge le profil Bluetooth A2DP.

### Associer et connecter par la technologie sans fil Bluetooth

Les instructions qui suivent s'appliquent à un téléphone cellulaire aussi bien qu'à un lecteur de musique, à la différence que, dans ce dernier cas, il ne sera peut-être pas nécessaire d'entrer le code d'authentification Bluetooth.

1. Assurez-vous que les haut-parleurs sont éteints et que le téléphone est allumé.
2. Maintenez l'interrupteur enfoncé jusqu'à ce que le voyant lumineux commence à clignoter en blanc.
3. Activez la connectivité Bluetooth sur le téléphone, puis programmez celui-ci pour qu'il cherche d'autres appareils Bluetooth à proximité.
4. Sélectionnez les haut-parleurs dans la liste des appareils trouvés.
5. Pour associer les haut-parleurs au téléphone et établir une connexion, entrez le code d'authentification Bluetooth (0000). Dans certains cas, vous devrez établir la connexion de façon distincte après l'association.

Si l'association réussit et que la connexion Bluetooth est établie entre les haut-parleurs et l'appareil audio, le voyant clignote en blanc environ toutes les quatre secondes.

### Connecter à l'aide d'un câble

Vous pouvez brancher les haut-parleurs à un appareil compatible à l'aide du câble CA-63U fourni.

Pour connecter les haut-parleurs à un appareil doté d'une prise audio standard de 3,5 mm, branchez une extrémité du câble dans la prise audio des haut-parleurs et l'autre dans celle de l'appareil.

Lorsque les haut-parleurs sont connectés à l'autre appareil à l'aide du câble, l'indicateur demeure fixe en blanc.

## Fonctions de base

### Écouter de la musique

Lorsque les haut-parleurs sont connectés à un appareil audio compatible, vous devez démarrer la lecture de la musique à partir de celui-ci.



**Avertissement** Écoutez la musique à un volume modéré. L'exposition continue à un

volume élevé peut entraîner des troubles de l'ouïe.

Pour amplifier l'image stéréo du son, assurez-vous que la fonction correspondante est désactivée sur l'appareil audio, puis appuyez sur la touche d'amplification stéréo. L'indicateur d'amplification stéréo s'allume alors en blanc.

### Régler le volume

Pour régler le volume des haut-parleurs, utilisez les touches

d'augmentation et de réduction du volume. Lorsque vous utilisez des piles et que le volume des haut-parleurs devient trop faible, changez les piles.

### Transporter les haut-parleurs

Pour emporter les haut-parleurs avec vous, appuyez les deux haut-parleurs l'un contre l'autre, puis servez-vous du câble comme d'une courroie de transport.

### Réinitialiser les paramètres

Pour effacer les paramètres de volume et d'amplification stéréo, éteignez les haut-parleurs. Pour ce faire, maintenez l'interrupteur, la touche d'amplification et la touche d'augmentation du volume enfoncés simultanément.



## Entretien et réparation

Votre appareil est un produit de conception et de fabrication supérieures qui doit être traité avec soin. Les suggestions ci-dessous vous aideront à remplir toutes les obligations de la garantie.

- Gardez l'appareil au sec. La pluie, l'humidité et tous les types de liquides peuvent contenir des minéraux susceptibles d'entraîner la corrosion des circuits électroniques. Si votre appareil est mouillé, laissez-le sécher complètement.
- N'utilisez pas et ne rangez pas l'appareil dans un endroit poussiéreux ou sale. Vous risqueriez d'endommager ses pièces mobiles et ses composants électroniques.
- Ne rangez pas l'appareil dans un endroit chaud. Les températures élevées sont susceptibles de réduire la durée de vie utile des composants électroniques, d'endommager les

puiles, et de déformer ou faire fondre certaines pièces en plastique.

- Ne rangez pas l'appareil dans un endroit froid. Lorsqu'il revient à sa température normale de fonctionnement, de l'humidité peut se condenser à l'intérieur et endommager les circuits électroniques.
- Ne le secouez pas, ne le heurtez pas et ne le laissez pas tomber. Toute manœuvre brusque peut briser les cartes de circuits internes et les petites pièces mécaniques.
- Ne vous servez pas de produits chimiques corrosifs, de solvants de nettoyage ou de détergents concentrés pour nettoyer cet appareil.
- Ne peignez pas l'appareil. La peinture peut bloquer les pièces mobiles et nuire à son bon fonctionnement.

Si votre appareil ne fonctionne pas correctement, apportez-le au centre de réparation autorisé le plus près de chez vous.



### Mise au rebut

La poubelle barrée d'une croix sur le produit, sa documentation ou son emballage signifie que les produits électriques et électroniques ainsi que les piles qu'ils contiennent doivent être envoyés dans un lieu de collecte distinct lorsqu'ils ne sont plus utilisés. Cette exigence s'applique à l'Union européenne et à d'autres territoires où des systèmes de collecte distincts sont installés. Cet appareil ne doit pas être mis au rebut avec les déchets municipaux normaux non triés.

Le fait de retourner les produits aux points de récupération contribue à diminuer les risques de contamination de la nature, les risques pour la santé et permet une saine réutilisation des ressources matérielles à long terme.

Pour toute question sur la mise au rebut de tels appareils, communiquez avec votre détaillant, les autorités locales responsables de la gestion des rebuts, les organismes de sensibilisation aux industriels ou votre représentant Nokia local. Pour consulter la fiche d'information « Eco-Déclaration » ou pour savoir comment retourner un appareil qui n'est plus utilisé, consultez les renseignements se rapportant à votre région sur le site [www.nokia.com](http://www.nokia.com).

## Avis de la FCC et d'Industrie Canada

Cet appareil est conforme aux dispositions de la partie 15 du règlement de la FCC. Son utilisation est assujettie aux deux conditions suivantes : 1) l'appareil ne doit pas causer d'interférence nuisible; et 2) il doit accepter toute interférence à la réception, y compris une interférence susceptible de gêner son fonctionnement. Cet appareil a été vérifié et s'est révélé conforme aux limites requises pour un appareil numérique de classe B, conformément à la partie 15 du règlement de la FCC. Ces limites visent à offrir une protection raisonnable contre les interférences nuisibles dans un logement résidentiel. Cet appareil produit et utilise de l'énergie de radiofréquence et peut causer de l'interférence nuisible aux communications radio s'il n'est pas installé et utilisé conformément aux directives. Il n'existe toutefois aucune garantie que de l'interférence ne surviendra pas dans une installation donnée. Si cet appareil cause de l'interférence nuisible à la réception de la

radio ou de la télévision, ce qui peut être déterminé en éteignant et en allumant l'appareil, essayez de corriger l'interférence au moyen des mesures suivantes : réorientez ou déplacez l'antenne; augmentez la distance entre l'appareil et le récepteur; connectez l'appareil dans une prise d'un circuit différent de celui où est connecté le récepteur; consultez le fournisseur ou un technicien en radio/télévision expérimenté pour obtenir de l'aide. REMARQUE : Énoncé de la FCC relatif à l'exposition aux rayonnements : Cet appareil est conforme aux limites d'exposition aux rayonnements définies par la FCC dans un environnement non contrôlé. Ce transmetteur ne doit pas être situé près d'une autre antenne ou d'un autre type de transmetteur ni être utilisé conjointement avec ce type d'équipement. REMARQUE : Les changements et modifications non formellement approuvés par Nokia pourraient annuler le droit de l'utilisateur de se servir de l'appareil.

## Free Manuals Download Website

<http://myh66.com>

<http://usermanuals.us>

<http://www.somanuals.com>

<http://www.4manuals.cc>

<http://www.manual-lib.com>

<http://www.404manual.com>

<http://www.luxmanual.com>

<http://aubethermostatmanual.com>

Golf course search by state

<http://golfingnear.com>

Email search by domain

<http://emailbydomain.com>

Auto manuals search

<http://auto.somanuals.com>

TV manuals search

<http://tv.somanuals.com>