



# PORTABLE 12/24 VOLTS DC REFRIGERATOR/FREEZER

NRF30  
NRF45  
NRF60

## INSTALLATION AND OWNER'S MANUAL

### **Service Information**

If service or parts are required, contact the nearest Norcold Service Center. To find an authorized Norcold Service Center near you, please telephone the Norcold Customer Support Dept. at 800-543-1219 (option-1) or visit our web site at [www.norcold.com](http://www.norcold.com).

Norcold Customer Support Dept.  
Telephone : 800-543-1219  
Fax : 937-497-3183  
Web Site: [www.norcold.com](http://www.norcold.com)

Printed in China  
03/02/2011  
Part No. 634244 G

Model No. \_\_\_\_\_ Serial No. \_\_\_\_\_

## **NORCOLD AC/DC Models - Two Year Limited Warranty Policy**

Norcold, Inc. warrants that when properly installed and placed under normal service and use its refrigeration equipment is free from defects in material and workmanship for two years commencing from the original date of purchase of the new equipment.

### **Limitations of Warranty**

1. This warranty is the only warranty for a Norcold AC/DC refrigerator. This warranty does not extend to glassware, electric light bulbs, and replaceable fuses.
2. This warranty does not apply to parts and assemblies that have been subjected to misuse, improper installation, abnormal service, transit damage, recharging of cooling system, accident, fire, improper repair, tampering or abuse.
3. Irrespective of the nature of the warranty protection offered or claimed, the period of warranty shall in no case extend beyond two years commencing from the original date of purchase of the new equipment.

### **Limitation of Remedy**

1. The responsibility of NORCOLD under this or any warranty is limited to the repair or replacement (at NORCOLD'S option) of the defective part or assembly.
2. In no event and under no circumstances shall NORCOLD be responsible under this Limited Warranty for any other charge whatsoever, including but not limited to charges or claims for labor, lost business, lost time, lost profits, loss of use, or any kind of incidental or consequential damages, however denominated or described. The remedy under this warranty is limited to repair or replacement.
3. Some states do not allow the exclusion or limitation of incidental or consequential damages, so the above exclusion may not apply to you.

### **Disclaimer of Other Warranties**

This warranty is expressly in lieu of all other warranties either expressed or implied. All other warranties, expressed or implied, including any warranty of merchantability or fitness for a particular purpose, are hereby disclaimed and excluded.

### **Legal Rights**

This warranty gives you specific legal rights, and you may have other legal rights which vary from state to state.

## Safety Awareness

Read this manual carefully and understand the contents before you install the refrigerator/freezer.

Be aware of possible safety hazards when you see the safety alert symbol on the refrigerator/freezer and in this manual. A signal word follows the safety alert symbol and identifies the danger of the hazard. Carefully read the descriptions of these signal words to fully know their meanings. They are for your safety.



**WARNING:** This signal word means a hazard, which if ignored, can cause dangerous personal injury, death, or much property damage.



**CAUTION:** This signal word means a hazard, which if ignored, can cause small personal injury or much property damage.

## Model No. and Serial No.

The model number and serial number are on a label which is on the bottom of the refrigerator/freezer.

## General

This portable refrigerator/freezer is to be used in vehicles such your car, boat, trailer, or camper for the refrigerated or frozen storage of food, drinks, medicines, etc.

The refrigerator/freezer should be placed on a level and solid surface. The compressor has shock mounts to allow the refrigerator/freezer operation during transit.

Be sure the refrigerator/freezer is not in direct sunlight or near a gas stove, a heater, or other heat-generating appliances. Avoid placing your refrigerator/freezer in an area where it could be accidentally splashed or sprayed with water which could enter the electrical compartment of the refrigerator/freezer.

Your refrigerator/freezer was thoroughly cleaned before shipment from the factory. It is advisable, however, to clean the interior once more before using. Wipe the interior with a cloth and warm water. Then wipe with a dry cloth.

## Operation

The battery voltage varies with the type of vehicle. Most American cars and boats use a 12 volt system. A 12/24 volt battery with a negative ground is necessary to operate the refrigerator/freezer. This refrigerator/freezer operates on 12/24 volts DC from a battery in your car, boat, trailer, camper, etc. The refrigerator/freezer circuitry identifies the operating voltage. The refrigerator/freezer will operate in ambient temperatures of between 14° F (-10°C) and 109°F (43°C) and in a maximum relative humidity of 90%. The refrigerator/freezer will also operate continuously at a maximum angle of 20° off of level.

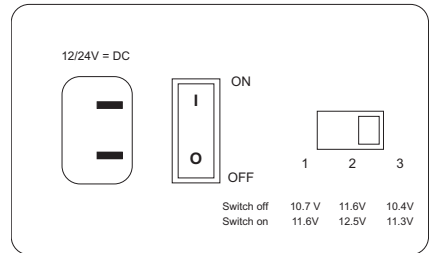
**WARNING:** Never store combustible materials near the refrigerator/freezer. Storing combustible materials near the refrigerator/freezer creates a safety hazard and also decreases the ventilation of the cooling system which decreases the refrigerator/freezer performance.

**CAUTION:** Do not touch the liner or other metal parts inside the refrigerator/freezer cabinet with wet hands because they can freeze to the refrigerator/freezer.

**WARNING:** Always disconnect all power sources from the refrigerator/freezer when doing routine maintenance. Have service work done only by a qualified service technician.

### Start the Refrigerator/freezer

1. Put the square plug end of the DC power cord into the DC connector of the refrigerator/freezer (see Art02215).
2. Put the cigarette lighter plug end of the DC power cord into the cigarette lighter of the vehicle.
3. Put the power switch in the "ON" position.
4. Put the Low Battery Shut-off Switch in the desired position.



Art02215

- Position 3 is the recommended position.

5. When using the AC/DC converter to operate the refrigerator/freezer, make sure that the Low Battery Shut-off Switch is in either position 1 or 3.

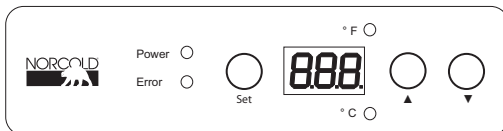
- The refrigerator/freezer will NOT operate if Low Battery Shut-off Switch is in position 2.

Low Battery Shut-off Switch	12 VDC	24 VDC
1	off voltage 10.7V - on voltage 11.6V	off voltage 22.6V - on voltage 24.0V
2	off voltage 11.6V - on voltage 12.5V	off voltage 24.2V - on voltage 25.2V
3	off voltage 10.4V - on voltage 11.3V	off voltage 21.8V - on voltage 23.2V

## Set the Temperature

The Temperature Setting Panel (see Art02216) has two modes of operation, the Factory setting mode and the Memory setting mode. In both modes, you may set the controls to maintain the temperature, in the center part of the refrigerator/freezer, between -13°F (-25°C) and 108°F (42°C).

Push and hold both the up arrow and the “set” button for a few seconds to change the temperature display back and forth between Fahrenheit (°F) and Celsius (°C).



Art02216

### Factory setting mode

Each time that you turn the refrigerator/freezer “ON”, the temperature setting is 5°F (-15°C). If you wish to change the temperature setting:

- Press and hold the “set” button for 2 seconds.
- Press and hold either the up or down arrow until the desired temperature appears in the window.
- Release the up or down arrow to select the temperature setting.

### Memory setting mode

The first time that you turn the refrigerator/freezer “ON”, the temperature setting is 5°F (-15°C). If you wish to change the temperature setting:

- Press and hold the “set” button for 2 seconds.
- Press and hold either the up or down arrow until the desired temperature appears in the window.
- Release the up or down arrow to select the temperature setting.
- Press and hold the “set” button for 2 seconds.
- The next time that you turn the refrigerator/freezer “ON”, the temperature setting will be at this same setting, unless you choose to change it.

**NOTE:** The refrigerator/freezer has a delay protection feature to avoid overloading the vehicle at start-up. The temperature shown in the window should change within the first 15 minutes of operation.

When not using the refrigerator/freezer, remove the DC power cord from the cigarette lighter to prevent discharge of the battery.

## **Over cooling drains your vehicle battery**

When the ambient temperature is between 70°F (21°C) and 90°F, (32°C) keep the temperature setting at about 40°F (4°C) to avoid an excessive drain of the battery. When making ice, or storing frozen foods, change the temperature setting to about 25°F (-4°C).

## **Check the Battery Charge Level**

If the DC voltage to the refrigerator/freezer is less than 10.7 volts, the cooling performance of the refrigerator/freezer will immediately decrease. Make sure that the battery is fully charged.

A fully charged battery will have a specific gravity reading of between 1.260 and 1.280. The battery voltage is best indicated when the refrigerator/freezer is "ON" and the battery charging system is "OFF". Charge the battery when the specific gravity reading is less than 1.200.

**NOTE:** Never use a battery charger or a rectifier, etc. instead of the cigarette light adapter to operate the refrigerator/freezer on DC power. These electrical devices cause high ripples or surge voltages which can damage the refrigerator/freezer.

Never use a commercial inverter or converter to operate the refrigerator/freezer on AC power. These electrical devices do not hold the constant frequency that is necessary for the refrigerator/freezer.

Only use a "quick charger" on the vehicle battery if the power switch is turned to "OFF". If a "quick charger" is used on the battery while the power switch is "ON", damage to the refrigerator/freezer can occur.

## **Cooling Unit Basics**

The cooling unit of your Norcold refrigerator/freezer makes heat. This heat must be removed quickly and efficiently in order for the refrigerator/freezer to have its maximum cooling performance. When the refrigerator/freezer is in an enclosed space, the temperature within the space will rise quickly and will reduce the cooling performance of the refrigerator/freezer. Continued operation at high temperatures can damage the refrigerator/freezer compressor and other components.

A free flow of air (ventilation) through the refrigerator/freezer condenser coils and around the compressor is necessary for the refrigerator/freezer to operate correctly. While Norcold refrigerator/freezers are made to operate in more severe conditions than typical household refrigerator/freezers, you should not operate the refrigerator/freezer in high ambient temperatures. This will result in poor performance and possible food spoilage.

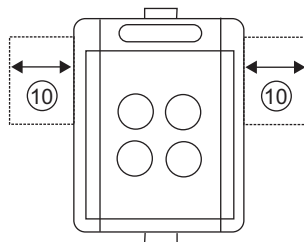
## Convection Basics

When ventilating an enclosed space, consider the facts of natural convection, that cool air falls and warm air rises. The ideal ventilation design will use natural convection and provide a path for cool air to enter below the refrigerator/freezer and warmer air to exit above the refrigerator/freezer. The design of the refrigerator/freezer allows this to occur if there is a ventilation opening above the refrigerator/freezer. The heat created by the refrigerator/freezer can then flow freely out of the enclosed space rather than be trapped within it.

## Ventilation for Norcold Portable Refrigerator/Freezers

For the maximum cooling efficiency and the lowest power consumption, use the following guidelines. These are especially important when using the refrigerator/freezer under a counter or in an enclosed space.

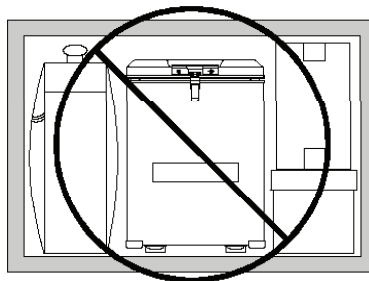
- Make sure that there are at least 4 inches (102 mm) of clearance [10] from the vents on each side of the compressor compartment (See Art02218).
- When using the refrigerator/freezer in an enclosed space such as an RV basement, make sure that there are at least 48 square inches (310 square cm) of ventilation area above the compressor compartment. Less than 48 square inches (310 square cm) of ventilation area will result in poor refrigeration performance, continuous compressor operation, and a shortened refrigerator/freezer life.
- The ventilation area should open into the living area of the vehicle



Art02218

## Storage

When storing portable refrigerator/freezers, make sure that there are no obstructions (luggage, etc.) around the refrigerator/freezer while it is operating (See Art02219). Make sure that there is adequate ventilation space to the refrigerator/freezer. Locate the ventilation space in an area that allows natural convection through the refrigerator/freezer condenser coils and around the compressor.



Art02219

## Storing Food

Store fresh foods in covered dishes, in plastic bags, in foil wrap, etc. to prevent them from becoming dry and from transferring odors to other stored foods.

Store frozen food for several days if it stays fully frozen. If frozen food is allowed to thaw, DO NOT attempt to refreeze it. Since liquids expand as they freeze, do not freeze liquids in glass containers as this may cause the glass container to break.

## Defrosting

It is normal for frost to collect on the liner inside the refrigerator/freezer. Excess frost decreases the cooling performance of the refrigerator/freezer. Defrost the refrigerator/freezer as necessary.



**CAUTION:** Do not use sharp objects, a hair dryer, a heat gun, etc. to defrost the refrigerator/freezer. Damage to the interior of the refrigerator/freezer can occur.

- Turn the power switch to the "OFF" position.
- Remove all food from the refrigerator/freezer.
- Put dry towels (etc.) inside the refrigerator/freezer to absorb the excess water.
- Remove the wet towels (etc.) and dry the inside of the refrigerator/freezer
- Restart the refrigerator/freezer and set the temperature.
- Put the food in the refrigerator/freezer.

## Cleaning

A good time to clean the refrigerator/freezer is just after you defrost it.

Clean the inside of the refrigerator/freezer as often as necessary to avoid food odors:

- Remove all food from the refrigerator/freezer.

**NOTE:** Do not use abrasive cleaners, chemicals, or scouring pads because they can damage the inside of the refrigerator/freezer.

- Wash the inside of the refrigerator/freezer and the door gasket with a solution of liquid dish detergent and warm water.
- Rinse with clean water and dry.



## Troubleshooting

Indicator Lights	Problem	Solution
Power light is on. Error light is off.	No problems.	Normal operating condition.
Power light is off. Error light is off.	The refrigerator/ freezer has no power.	Check the 10 Amp glass that is located in the cigarette lighter plug body of the power cord.
Power light is on. Error light flashes one time.	The voltage is wrong.	Turn the refrigerator/freezer "OFF", or choose the voltage setting again, or the voltage to the refrigerator/freezer is low. * When using the AC/DC converter to operate the refrigerator/freezer, make sure that the Low Battery Shut-off Switch is in either position 1 or 3
Power light is on. Error light flashes two times.	The current is wrong (or fan current is wrong).	Check the fan.
Power light is on. Error light flashes three times.	Fan speed is wrong.	Ambient temperature is more than the normal operating temperature, or the refrigerator/freezer air-intake vent is obstructed.
Power light is on. Error light flashes continually.	The temperature is wrong.	Ambient temperature is more than the normal operating temperature, or the refrigerator/freezer air-intake vent is obstructed.

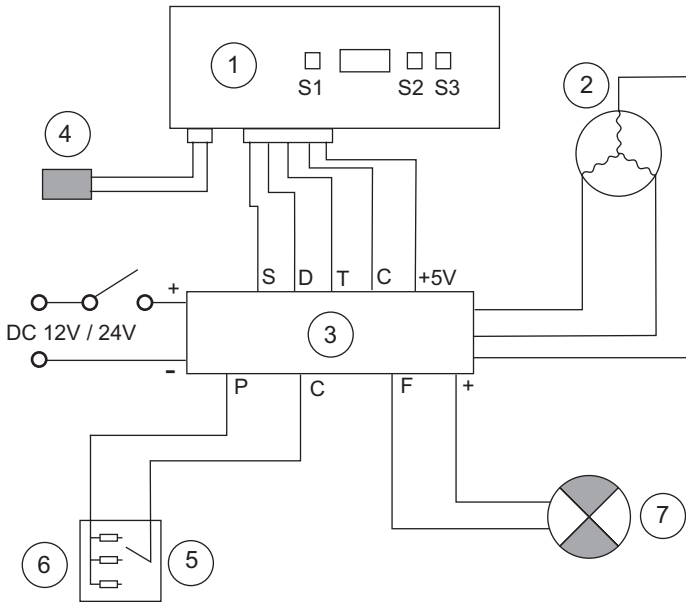
## Refrigerator/freezer Specification Data

	Model NRF-30	Model NRF-45	Model NRF-60
Capacity (gross)	7.9 Gal (30 l)	11.8 Gal (45 l)	15.6 Gal (59 l)
Dimensions (H x L x W)	15.6 in (397mm) x 22.0 in (560 mm) x 15.7 in (400mm)	16.9 in (430mm) x 25.5 in (650mm) x 15.7 in (400mm)	20.4 in (520mm) x 25.5 in (650mm) x 15.7 in (400mm)
Voltage	12/24 VDC @ ≤ 4.0 A ± 10 %	12/24 VDC @ ≤ 5.0 A ± 10 %	12/24 VDC @ ≤ 5.5 A ± 10 %
Average power consumption	≤ 45W + 15 %	≤ 50W + 15 %	≤ 55W + 15 %
Temperature range	46°F (8°C) to ≥ 0°F (-18°C) (variable by electronic thermostat)	46°F (8°C) to ≥ 0°F (-18°C) (variable by electronic thermostat)	46°F (8°C) to ≥ 0°F (-18°C) (variable by electronic thermostat)
Weight	Net: 39.6 lb (19 kg)	Net: 44.0 lb (20 kg)	Net: 49.6 lb (22.5 kg)
Refrigerant	R134a	R134a	R134a
Refrigeration capacity	Temperature of 0°F (-18°C) in 2 hours (under the standard running condition and rated load)	Temperature of 3.2°F (-16°C) in 2 hours (under the standard running condition and rated load)	Temperature of 3.2°F (-15°C) in 2 hours (under the standard running condition and rated load)
Other features	Digital temperature control panel. Compressor torque and fan speed adjust automatically.	Digital temperature control panel. Compressor torque and fan speed adjust automatically.	Digital temperature control panel. Compressor torque and fan speed adjust automatically.

# Wiring Diagram

(See Art02278)

- 1. .... Operation and control board
- 2. .... Compressor
- 3. .... Compressor control unit
- 4. .... Temperature sensor
- 5. .... Switch
- 6. .... Low voltage shut-off
- 7. .... Fan



Art02278



# RÉFRIGÉRATEUR/CONGÉLATEUR 12/24 VOLTS C.C. PORTATIF

NRF30  
NRF45  
NRF60

## MANUEL D'INSTALLATION ET D'UTILISATION

### **En cas de besoin**

En cas de besoin d'entretien ou de pièces de rechange, entrer en rapport avec le Centre des services à la clientèle le plus proche de Norcold. Pour trouver le centre Norcold le plus proche, prière de téléphoner au Service après-vente Norcold, au 800-543-1219 (option 1) ou de rendre visite à notre site Web, [www.norcold.com](http://www.norcold.com).

Service après-vente Norcold  
Téléphone : 800-543-1219  
Télécopieur : 937-497-3183  
Site Web : [www.norcold.com](http://www.norcold.com)

Imprimé en Chine  
03/02/2011  
Réf. 634244 G

N° de modèle \_\_\_\_\_ N° de série \_\_\_\_\_

## **Modèles C.A./C.C. NORCOLD - Garantie limitée de deux ans**

Norcold, Inc. garantit son matériel de réfrigération contre tout vice de matériel et de fabrication pendant une période de deux ans à compter de la date d'achat d'origine du matériel neuf, à condition que ledit matériel soit correctement installé et maintenu dans des conditions normales d'utilisation.

### **Restrictions de la garantie**

1. La présente garantie est la seule applicable à un réfrigérateur c.a./c.c. Norcold. Elle ne couvre pas la verrerie, les ampoules électriques et les fusibles remplaçables.
2. La présente garantie ne s'applique pas aux pièces et ensembles qui ont fait l'objet d'une mauvaise utilisation, d'une installation incorrecte, d'un entretien déficient, de dommages de transport, de recharge du système frigorifique, d'un accident, d'un incendie, d'une réparation inappropriée, d'une intervention intempestive ou d'un usage abusif.
3. Quelle que soit la nature de la protection offerte ou réclamée en vertu de la garantie, celle-ci ne saura en aucun lieu s'appliquer pendant plus de deux ans après la date d'achat d'origine du matériel neuf.

### **Restriction du recours**

1. La responsabilité de NORCOLD en vertu de la présente garantie ou de toute autre garantie se limite à la réparation ou au remplacement (au gré de NORCOLD) de la pièce ou de l'ensemble présentant le défaut.
2. NORCOLD décline toute responsabilité en vertu de la présente garantie limitée pour ce qui est des autres frais y compris, mais sans s'y limiter, frais ou demandes d'indemnité au titre de main-d'oeuvre, perte d'exploitation, temps mort, manque à gagner, perte d'emploi ou tous dommages accessoires ou indirects, quelle qu'en soit l'appellation ou la description. La présente garantie offre comme unique recours la réparation ou le remplacement.
3. L'exclusion ou la restriction des dommages accessoires ou indirects n'étant pas autorisée dans toutes les circonscriptions, les clauses restrictives ci-dessus ne s'appliquent pas à tous les utilisateurs.

### **Déni d'autres garanties**

La présente garantie remplace et annule toute autre garantie expresse ou tacite. Toutes les autres garanties, qu'elles soient expresses ou tacites, y compris les garanties de commercialisation ou d'adaptation à un but particulier, sont rejetées et exclues par la présente.

### **Droits juridiques**

La présente garantie confère des droits juridiques particuliers auxquels peuvent s'ajouter d'autres droits variant selon les circonscriptions.

## Signalisation de la sécurité

Lire soigneusement ce manuel et en assimiler le contenu avant d'installer le réfrigérateur/congélateur.

Prendre conscience des risques pour la sécurité signalés par le symbole de mise en garde sur le réfrigérateur/congélateur et dans ce manuel. Le symbole de mise en garde est suivi d'un terme précisant la nature du risque en question. Lire soigneusement la description de ces termes de signalement pour apprendre à les différencier. C'est une question de sécurité personnelle.



**MISE EN GARDE** : Ce terme de signalement indique un danger qui, s'il n'est pas pris en compte, peut causer une blessure grave, la mort ou d'importants dégâts matériels.



**AVERTISSEMENT** : Ce terme de signalement indique un danger qui, s'il n'est pas pris en compte, peut causer une blessure légère ou d'importants dégâts matériels.

## N° de modèle et n° de série

Le numéro de modèle et le numéro de série figurent sur une étiquette apposée au bas du réfrigérateur/congélateur.

## Généralités

Ce réfrigérateur/congélateur portatif est conçu pour permettre la conservation de produits alimentaires, boissons, médicaments, etc. réfrigérés ou surgelés dans des véhicules tels qu'une voiture, un bateau, ou une caravane tractée ou automotrice.

Le réfrigérateur/congélateur doit être placé sur une surface résistante et de niveau. Le compresseur est muni de supports amortisseurs, ce qui permet le fonctionnement du réfrigérateur/congélateur pendant le déplacement du véhicule.

S'assurer que le réfrigérateur/congélateur ne se trouve pas exposé directement aux rayons du soleil, ni près d'une cuisinière à gaz, d'un radiateur de chauffage ou d'un autre appareil ménager qui dégage de la chaleur. Éviter de placer le réfrigérateur/congélateur dans un endroit où il pourrait être éclaboussé ou arrosé accidentellement par de l'eau qui risquerait de pénétrer dans son boîtier électrique.

Le réfrigérateur/congélateur a été soigneusement nettoyé avant d'être expédié de l'usine. Il est cependant conseillé d'en nettoyer l'intérieur une fois de plus avant de l'utiliser. Essuyer l'intérieur avec un chiffon imbibé d'eau chaude puis l'essuyer avec un chiffon sec.

## Utilisation

La tension de batterie varie suivant le type de véhicule. La plupart des voitures et bateaux américains utilisent un système de 12 volts. Une batterie de 12/24 volts à masse négative est nécessaire pour faire fonctionner le réfrigérateur/congélateur. Ce réfrigérateur/congélateur fonctionne sur le courant continu de 12/24 volts venant d'une batterie de la voiture, du bateau, ou de la caravane tractée ou automotrice, etc. La circuiterie du réfrigérateur/congélateur identifie la tension de fonctionnement. Le réfrigérateur/congélateur peut fonctionner à des températures ambiantes allant de 14 à 109 °F (-10 à 43 °C) et à une humidité relative maximum de 90 %. Le réfrigérateur/congélateur peut également fonctionner sans s'arrêter à une inclinaison maximum de 20° par rapport à l'horizontale.



**MISE EN GARDE** : Ne jamais entreposer de matières combustibles près du réfrigérateur/congélateur. L'entreposage de matières combustibles près du réfrigérateur/congélateur présente un risque pour la sécurité et diminue également la ventilation du système frigorifique, ce qui diminue les performances de l'appareil.



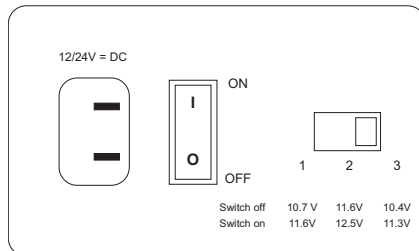
**AVERTISSEMENT** : Ne pas toucher la cuve interne ou d'autres pièces métalliques à l'intérieur de la caisse du réfrigérateur/congélateur avec des mains mouillées ; elles risqueraient d'adhérer à l'appareil.



**MISE EN GARDE** : Toujours débrancher le réfrigérateur/congélateur de toutes les sources d'alimentation électrique lors des opérations d'entretien courant. Faire effectuer l'entretien uniquement par un technicien qualifié.

### Mise en marche du réfrigérateur/congélateur

1. Brancher la fiche carrée du cordon d'alimentation en courant continu dans le connecteur c.c. du réfrigérateur/congélateur (voir Art02215).
2. Brancher la fiche pour allume-cigarette du cordon d'alimentation en courant continu dans l'allume-cigarette du véhicule.
3. Placer l'interrupteur d'alimentation en position « ON » (marche).
4. Placer l'interrupteur d'arrêt pour tension de batterie insuffisante dans la position désirée.
  - La position 3 est celle qui est recommandée.
5. Lorsque le convertisseur c.a./c.c. est employé pour l'alimentation du réfrigérateur/congélateur, s'assurer que l'interrupteur d'arrêt pour tension de batterie insuffisante est en position 1 ou 3.



Art02215

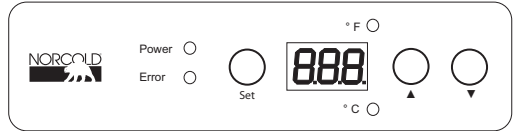
- Le réfrigérateur/congélateur ne pourra PAS fonctionner si l'interrupteur d'arrêt pour tension de batterie insuffisante se trouve en position 2.

Interrupteur d'arrêt pour tension de batterie insuffisante	12 V c.c.	24 V c.c.
1	tension d'arrêt 10,7 V - tension de marche 11,6 V	tension d'arrêt 22,6 V - tension de marche 24,0 V
2	tension d'arrêt 11,6 V - tension de marche 12,5 V	tension d'arrêt 24,2 V - tension de marche 25,2 V
3	tension d'arrêt 10,4 V - tension de marche 11,3 V	tension d'arrêt 21,8 V - tension de marche 23,2 V

## Réglage de la température

Le panneau de réglage de température (voir Art02216) fonctionne dans deux modes, celui de réglage à l'usine et celui de réglage en mémoire. Il est possible dans les deux modes de régler les commandes pour qu'elles maintiennent, dans la partie centrale du réfrigérateur/ congélateur, une température de -13 à 108 °F (-25 à 42 °C).

Appuyer sur la flèche vers le haut et le bouton « set » (réglage) et les maintenir enfoncées pendant quelques secondes pour faire alterner l'affichage de la température entre Fahrenheit (°F) et Celsius (°C).



Art02216

### Mode de réglage à l'usine

Chaque fois qu'on met le réfrigérateur/congélateur en marche, la température est réglée à 5 °F (-15 °C). Si on souhaite modifier le réglage de température :

- Appuyer sur le bouton « set » (réglage) et le maintenir enfoncé pendant 2 secondes.
- Appuyer sur la flèche vers le haut ou vers le bas et la maintenir enfoncée jusqu'à ce que la température désirée s'affiche.
- Relâcher la flèche vers le haut ou vers le bas pour sélectionner le réglage de température.

### Mode de réglage en mémoire

La première fois qu'on met le réfrigérateur/congélateur en marche, la température est réglée à 5 °F (-15 °C). Si on souhaite modifier le réglage de température :

- Appuyer sur le bouton « set » (réglage) et le maintenir enfoncé pendant 2 secondes.
- Appuyer sur la flèche vers le haut ou vers le bas et la maintenir enfoncée jusqu'à ce que la température désirée s'affiche.
- Relâcher la flèche vers le haut ou vers le bas pour sélectionner le réglage de température.
- Appuyer sur le bouton « set » (réglage) et le maintenir enfoncé pendant 2 secondes.
- Lors de la mise en marche suivante du réfrigérateur/congélateur, le réglage de température reste le même à moins qu'on choisisse de le modifier.

**REMARQUE :** Le réfrigérateur/congélateur offre une fonction de protection par temporisation pour éviter une surcharge électrique du véhicule à la mise en marche. La température affichée doit changer dans les 15 minutes qui suivent la mise en marche.

Lorsque le réfrigérateur/congélateur n'est pas en service, débrancher le cordon d'alimentation en courant continu de l'allume-cigarette pour éviter de décharger la batterie.



## **Une réfrigération excessive décharge la batterie du véhicule**

Lorsque la température ambiante est comprise entre 70 et 90 °F (21 et 32 °C), maintenir la température réglée à 40 °F (4 °C) environ pour éviter une décharge excessive de la batterie. Lorsqu'on produit des glaçons ou qu'on conserve des aliments surgelés, régler la température à 25 °F (-4 °C) environ.

## **Vérification du niveau de charge de la batterie**

Si la tension du courant continu alimentant le réfrigérateur/congélateur est inférieure à 10,7 volts, les performances de refroidissement de l'appareil baissent immédiatement. S'assurer que la batterie est complètement chargée.

Sur une batterie à pleine charge, la gravité spécifique est comprise entre 1,260 à 1,280. Il est recommandé de vérifier la tension de batterie lorsque le réfrigérateur/congélateur est en marche et que le système de charge de batterie est désactivé. Charger la batterie lorsque la gravité spécifique est inférieure à 1,200.

**REMARQUE :** Ne jamais utiliser de chargeur de batterie ni de redresseur, etc. à la place de l'adaptateur d'allume-cigarette pour faire fonctionner le réfrigérateur/congélateur sur courant continu. Ces équipements électriques produisent des ondulations résiduelles importantes ou des surtensions qui peuvent endommager le réfrigérateur/congélateur.

Ne jamais utiliser un onduleur ou convertisseur du commerce pour faire fonctionner le réfrigérateur/congélateur sur courant alternatif. Ces équipements électriques ne maintiennent pas la fréquence constante nécessaire pour le réfrigérateur/congélateur.

N'utiliser un « chargeur rapide » sur la batterie du véhicule que si l'interrupteur d'alimentation est en position « OFF » (arrêt). Si un « chargeur rapide » est utilisé sur la batterie alors que l'interrupteur d'alimentation est en position « ON » (marche), le réfrigérateur/congélateur risque d'être endommagé.

## **Principes du frigorigère**

Le frigorigère du réfrigérateur/congélateur Norcold produit de la chaleur. Pour obtenir les meilleures performances de refroidissement possibles du réfrigérateur/congélateur, cette chaleur doit être éliminée rapidement et efficacement. Lorsque le réfrigérateur/congélateur se trouve dans un espace clos, la température de cet espace augmente rapidement et diminue les performances de refroidissement de l'appareil. Une utilisation continue à des températures élevées peut endommager le compresseur du réfrigérateur/congélateur et d'autres composants.

Pour assurer le bon fonctionnement du réfrigérateur/congélateur, il est nécessaire que l'air s'écoule librement (ventilation) dans les serpentins du condenseur du réfrigérateur/congélateur et autour du compresseur. Bien que les réfrigérateurs/congélateurs Norcold soient conçus pour fonctionner dans des conditions plus rigoureuses que les appareils ménagers habituels, ils ne doivent pas être utilisés à des températures ambiantes élevées. Les performances qui en résulteraient seraient insatisfaisantes, et une détérioration des aliments serait possible.

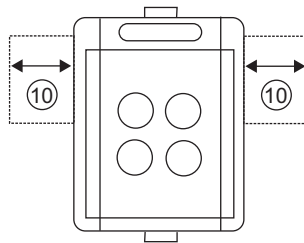
## Principes de convection

Pour ventiler un espace clos, ne pas oublier les principes de convection naturelle, c'est-à-dire que l'air frais descend et que l'air chaud monte. Pour obtenir la meilleure ventilation possible, utiliser la convection naturelle et prévoir l'acheminement de l'air frais de telle sorte qu'il entre en dessous du réfrigérateur/congélateur, et celui de l'air chaud pour qu'il puisse sortir au-dessus du réfrigérateur/congélateur. Le réfrigérateur/congélateur est conçu de façon à permettre une telle configuration si un trou de ventilation est prévu au-dessus du réfrigérateur/congélateur. La chaleur générée par le réfrigérateur/congélateur peut alors s'écouler librement hors de l'espace clos, plutôt que d'y rester prise.

## Ventilation pour les réfrigérateurs/congélateurs portatifs Norcold

Observer les principes directeurs suivants pour obtenir le meilleur refroidissement possible et pour réduire au maximum la consommation d'électricité. Ces principes sont particulièrement importants si le réfrigérateur/congélateur est employé sous un comptoir ou dans un espace clos.

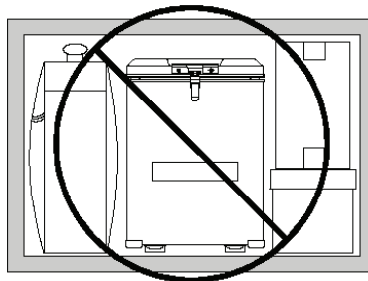
- Veiller à conserver au moins 4 po (102 mm) de dégagement [10] par rapport aux bouches de ventilation de chaque côté du compartiment du compresseur (voir Art02218).
- Si le réfrigérateur/congélateur est employé dans un espace clos, par exemple dans le sous-sol d'un véhicule de plaisance, s'assurer qu'il y a une zone de ventilation d'au moins 48 po<sup>2</sup> (310 cm<sup>2</sup>) au-dessus du compartiment du compresseur. Une zone de ventilation de moins de 48 po<sup>2</sup> (310 mm<sup>2</sup>) entraînera des performances insatisfaisantes de réfrigération, un fonctionnement continu du compresseur et une durée de vie réduite pour le réfrigérateur/congélateur.
- Cette zone de ventilation doit comporter une ouverture qui donne dans la zone habitable du véhicule



Art02218

## Entreposage

Lors de l'entreposage de réfrigérateurs/congélateurs portatifs, s'assurer que rien (bagages, etc.) ne bloque le réfrigérateur/congélateur lorsqu'il est en marche (voir Art02219). S'assurer qu'un espace de ventilation suffisant est fourni pour le réfrigérateur/congélateur. Prévoir l'espace de ventilation dans une zone qui permettra une convection naturelle dans les serpentins du condenseur du réfrigérateur/congélateur et autour du compresseur.



Art02219

## Conservation des produits alimentaires

Conserver les denrées fraîches dans des plats recouverts, des sacs en plastique, des papillotes, etc. pour les empêcher de sécher et éviter les odeurs.

Conserver les surgelés pendant plusieurs jours s'ils peuvent rester complètement congelés. NE PAS recongeler des surgelés qui ont décongelé. Les liquides se dilatent lorsqu'ils gèlent ; par conséquent, ne pas congeler des liquides dans des récipients en verre car ces derniers risqueraient alors de se briser.

## Dégivrage

Il est normal que du givre s'accumule sur la cuve interne du réfrigérateur/congélateur. Un réfrigérateur/congélateur trop givré risque de ne pas donner d'aussi bons résultats. Dégivrer le réfrigérateur/congélateur aussi souvent que nécessaire.



**AVERTISSEMENT** : Ne pas utiliser d'objets coupants, de sèche-cheveux, de pistolet thermique, etc. pour dégivrer le réfrigérateur/congélateur afin de ne pas risquer d'endommager l'intérieur de celui-ci.

- Placer l'interrupteur d'alimentation en position « OFF » (arrêt).
- Sortir tous les aliments du réfrigérateur/congélateur.
- Placer des serviettes sèches (etc.) à l'intérieur du réfrigérateur/congélateur pour absorber l'excédent d'eau.
- Enlever les serviettes mouillées (etc.) et sécher l'intérieur du réfrigérateur/congélateur
- Remettre le réfrigérateur/congélateur en marche et régler la température.
- Remettre les aliments dans le réfrigérateur/congélateur.

## Nettoyage

Il est conseillé de nettoyer le réfrigérateur/congélateur juste après l'avoir dégivré.

Nettoyer l'intérieur du réfrigérateur/congélateur aussi souvent que nécessaire pour éviter les odeurs :

- Sortir tous les aliments du réfrigérateur/congélateur.

**REMARQUE** : Ne pas se servir de produits de nettoyage abrasifs, de produits chimiques ou de tampons à récurer car ils risquent d'endommager l'intérieur du réfrigérateur/congélateur.

- Laver l'intérieur du réfrigérateur/congélateur et le joint de la porte avec un mélange de détergent liquide pour vaisselle et d'eau chaude.
- Rincer à l'eau propre et sécher.

## Dépannage

Voyants	Problème	Solution
Le voyant d'alimentation est allumé. Le voyant d'erreur est éteint.	Aucun problème.	État de marche normal.
Le voyant d'alimentation est éteint. Le voyant d'erreur est éteint.	Le réfrigérateur/ congélateur est hors tension.	Vérifier le fusible 10 A à tube de verre qui se trouve dans le corps de la fiche pour allume-cigarette du cordon d'alimentation.
Le voyant d'alimentation est allumé. Le voyant d'erreur clignote une fois.	La tension est incorrecte.	Placer l'interrupteur du réfrigérateur/congélateur en position « OFF » (arrêt), ou sélectionner de nouveau la tension, ou la tension alimentant le réfrigérateur/congélateur est basse. * Lorsque le convertisseur c.a/c.c. est employé pour l'alimentation du réfrigérateur/congélateur, s'assurer que l'interrupteur d'arrêt pour tension de batterie insuffisante est en position 1 ou 3.
Le voyant d'alimentation est allumé. Le voyant d'erreur clignote deux fois.	Le courant est incorrect (ou le courant alimentant le ventilateur est incorrect).	Vérifier le ventilateur.
Le voyant d'alimentation est allumé. Le voyant d'erreur clignote trois fois.	La vitesse du ventilateur est incorrecte.	La température ambiante est supérieure à la température normale de fonctionnement ou la prise d'air du réfrigérateur/congélateur est obstruée.
Le voyant d'alimentation est allumé. Le voyant d'erreur clignote constamment.	La température est incorrecte.	La température ambiante est supérieure à la température normale de fonctionnement ou la prise d'air du réfrigérateur/congélateur est obstruée.

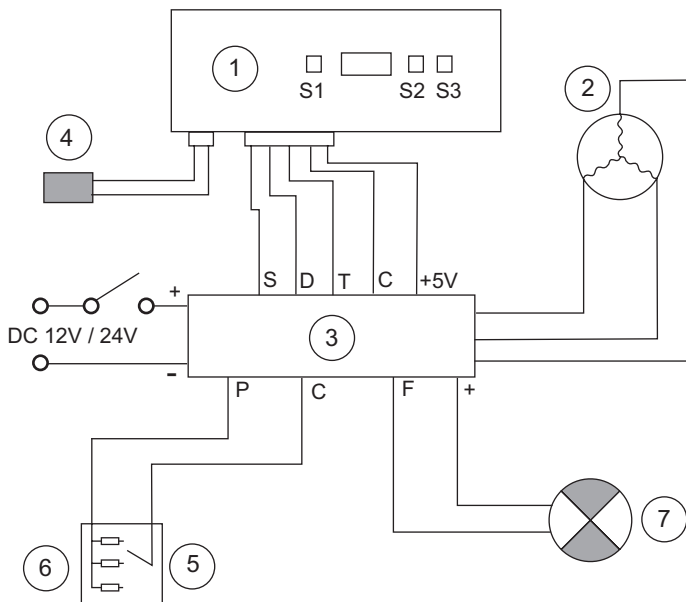
## Caractéristiques techniques du réfrigérateur/congélateur

	Modèle NRF-30	Modèle NRF-45	Modèle NRF-60
Contenance (brute)	7,9 gal (30 l)	11,8 gal (45 l)	15,6 gal (59 l)
Dimensions (H x L x l)	15,6 po (397mm) x 22,0 po (560mm) x 15,7 po (400 mm)	16,9 po (430mm) x 25,5 po (650 mm) x 15,7 po (400 mm)	20,4 po (520) x 25,5 po (650 mm) x 15,7 po (400 mm)
Tension	12/24 V c.c. à $\leq 4,0$ A $\pm 10$ %	12/24 V c.c. à $\leq 5,0$ A $\pm 10$ %	12/24 V c.c. à $\leq 5,5$ A $\pm 10$ %
Consommation moyenne d'électricité	$\leq 45$ W + 15 %	$\leq 50$ W + 15 %	$\leq 55$ W + 15 %
Plage de température	46 °F (8 °C) à $\geq 0$ °F (-18 °C) (variable par thermostat électronique)	46 °F (8 °C) à $\geq 0$ °F (-18 °C) (variable par thermostat électronique)	46 °F (8 °C) à $\geq 0$ °F (-18 °C) (variable par thermostat électronique)
Poids	Net : 39,6 lb (19 kg)	Net : 44,0 lb (20 kg)	Net : 49,6 lb (22.5 kg)
Fluide frigorigène	R134a	R134a	R134a
Capacité de réfrigération	Température de 0 °F (-18 °C) en 2 heures (dans les conditions de marche normales sous la charge nominale)	Température de 3,2 °F (-16 °C) en 2 heures (dans les conditions de marche normales sous la charge nominale)	Température de 3,2 °F (-15 °C) en 2 heures (dans les conditions de marche normales sous la charge nominale)
Autres caractéristiques	Tableau de commande numérique de température. Le couple du compresseur et la vitesse du ventilateur se règlent automatiquement.	Tableau de commande numérique de température. Le couple du compresseur et la vitesse du ventilateur se règlent automatiquement.	Tableau de commande numérique de température. Le couple du compresseur et la vitesse du ventilateur se règlent automatiquement.

## Graphique de câblage

(Voir Art02278)

1. .... Tableau d'utilisation et de commande
2. .... Compresseur
3. .... Module de commande de compresseur
4. .... Sonde de température
5. .... Interrupteur
6. .... Interrupteur d'arrêt pour tension insuffisante
7. .... Ventilateur



Art02278



# REFRIGERADOR/CONGELADOR PORTÁTIL DE 12/24 VCC

NRF30  
NRF45  
NRF60

## MANUAL DE INSTALACIÓN Y DEL USUARIO

### Información de servicio

En caso de necesitar servicio o piezas de repuesto, comuníquese con el Centro de servicio Norcold más cercano. Para encontrar un Centro de servicio Norcold autorizado en su localidad, llame al Depto. de atención al cliente de Norcold al 800-543-1219 (opción 1) o visite nuestro sitio Web en [www.norcold.com](http://www.norcold.com).

Depto. de atención al cliente de Norcold  
Teléfono: 800-543-1219  
Fax: 937-497-3183  
Sitio Web: [www.norcold.com](http://www.norcold.com)

Printed in China  
03/02/2011  
N° de pieza 634244 G

N° de modelo \_\_\_\_\_ N° de serie \_\_\_\_\_

## **Modelos CA/CC NORCOLD - Póliza de garantía limitada de dos años**

Durante dos años a partir de la fecha de compra original del equipo nuevo, siempre y cuando se haya instalado correctamente y puesto en servicio y uso normal, Norcold, Inc. garantiza que su equipo de refrigeración está libre de defectos en el material y fabricación.

### **Limitaciones de la garantía**

1. Esta garantía es la única garantía para un refrigerador CA/CC de Norcold. Esta garantía no cubre los artículos de cristal, bombillas eléctricas y fusibles reemplazables.
2. Esta garantía no cubre las piezas y conjuntos que hayan estado sujetos a maltrato, instalación incorrecta, servicio anormal, daño durante el transporte, recarga del sistema de enfriamiento, accidente, incendio, reparación indebida, alteración o abuso.
3. Independientemente de la naturaleza de la protección de garantía ofrecida o reclamada, el período de garantía en ningún caso se extenderá más allá de dos años a contar de la fecha original de compra del equipo nuevo.

### **Limitación de los recursos**

1. La responsabilidad de NORCOLD bajo esta o cualquier garantía está limitada a la reparación o reemplazo (a opción de NORCOLD) de la pieza o conjunto defectuoso.
2. En ningún caso y de ninguna manera será NORCOLD responsable bajo esta garantía limitada de ningún otro cargo en absoluto, incluyendo sin estar limitado a cargos o reclamos por mano de obra, pérdida de negocios, pérdida de tiempo, pérdida de ganancias, pérdida de uso, o cualquier clase de daños incidentales o consecuentes, comoquiera que se le denomine o describa. El recurso bajo esta garantía está limitado a reparación o reemplazo.
3. Algunos estados no permiten la exclusión o limitación de daños incidentales o consecuentes, por lo tanto es posible que la exclusión arriba mencionada no se aplique a usted.

### **Denegación de otras garantías**

Esta garantía es expresamente en lugar de cualquier otra garantía ya sea expresa o implícita. Todas las demás garantías, expresas o implícitas, incluida cualquier garantía de comerciabilidad o idoneidad para un propósito en particular, quedan por la presente excluidas y denegadas.

### **Derechos legales**

Esta garantía otorga al usuario ciertos derechos legales específicos, y es posible que el usuario tenga otros derechos legales, los cuales varían de un estado a otro.



## Información sobre seguridad

Lea este manual con mucha atención y comprenda el contenido antes de instalar el refrigerador/congelador.

Sea consciente de los posibles riesgos de seguridad cuando vea el símbolo de alerta de seguridad en el refrigerador/congelador y en este manual. Después del símbolo de alerta de seguridad se encuentra una palabra que identifica el peligro del riesgo. Lea atentamente las descripciones de estas palabras para conocer completamente sus significados. Están allí para su seguridad.



**ADVERTENCIA:** Esta palabra significa un riesgo que, si no se toma en cuenta, puede causar lesiones personales peligrosas, muerte o daño de propiedad grave.



**PRECAUCIÓN:** Esta palabra significa un riesgo que, si no se toma en cuenta, puede causar lesiones personales leves o daño de propiedad grave.

## N° de modelo y N° de serie

El número de modelo y número de serie se encuentran en una etiqueta ubicada en la parte inferior del refrigerador/congelador.

## Generalidades

Este refrigerador/congelador portátil está diseñado para usarse en vehículos tales como su automóvil, embarcación, caravana o vehículo recreativo para el almacenamiento refrigerado o congelado de alimentos, bebidas, medicinas, etc.

El refrigerador/congelador deberá colocarse sobre una superficie plana y firme. El compresor tiene amortiguadores para permitir que el refrigerador/congelador funcione durante el transporte.

Asegúrese que el refrigerador/congelador no esté expuesto a la luz solar directa y que no se coloque cerca de una estufa a gas, un calefactor u otros artefactos que generen calor. Evite colocar su refrigerador/congelador en un lugar donde podría ser salpicado o rociado con agua accidentalmente ya que ésta podría introducirse al compartimiento eléctrico del refrigerador/congelador.

Su refrigerador/congelador fue limpiado a fondo antes de salir de la fábrica. Sin embargo, se recomienda limpiar el interior una vez más antes de usarlo. Limpie el interior con un paño y agua tibia. Después pásese un paño seco.

## Funcionamiento

El voltaje de la batería varía con el tipo de vehículo. La mayoría de los automóviles y embarcaciones estadounidenses usan un sistema de 12 voltios. Se necesita una batería de 12/24 voltios con negativo a tierra para hacer funcionar el refrigerador/congelador. Este refrigerador/congelador funciona con corriente de 12/24 VCC de una batería en su automóvil, embarcación, caravana, vehículo recreativo, etc. La circuitería del refrigerador/congelador identifica el voltaje de funcionamiento. El refrigerador/congelador funcionará en temperaturas ambiente entre 14°F (-10°C) y 109°F (43°C) y a una humedad relativa máxima de 90%. El refrigerador/congelador también funcionará de forma continua a un ángulo máximo de 20° de desnivel.



**ADVERTENCIA:** Nunca almacene materiales combustibles cerca del refrigerador/ congelador. Si se almacenan materiales combustibles cerca del refrigerador/ congelador se crea un riesgo de seguridad y también disminuye la ventilación del sistema de enfriamiento lo que perjudica el rendimiento del artefacto.



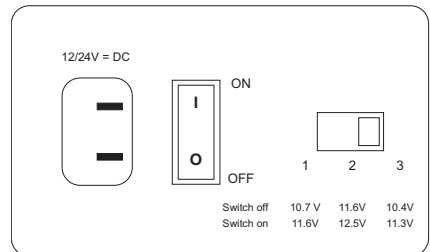
**PRECAUCIÓN:** No toque el forro u otras partes metálicas dentro del gabinete del refrigerador/congelador con las manos húmedas porque pueden quedar congeladas al refrigerador/congelador.



**ADVERTENCIA:** Siempre desconecte todas las fuentes de suministro eléctrico del refrigerador/congelador cuando haga trabajos de mantenimiento de rutina. Pida que el trabajo de servicio lo haga solamente un técnico calificado.

### Encendido del refrigerador/congelador

1. Meta el extremo de enchufe cuadrado del cordón eléctrico de CC en el conector de CC del refrigerador/congelador (vea la ilustración Art02215).
2. Meta el extremo de enchufe para encendedor de cigarrillos del cordón eléctrico de CC en el encendedor de cigarrillos del vehículo.
3. Ponga el interruptor eléctrico en la posición "ON" (encendido).
4. Ponga el interruptor de corte por batería descargada en la posición que desea.
  - La posición 3 es la recomendada.
5. Cuando se usa el convertidor CA/CC para hacer funcionar el refrigerador/congelador, asegúrese que el interruptor de corte por batería descargada está en la posición 1 ó 3.
  - El refrigerador/congelador NO funciona si el interruptor de corte por batería descargada está en la posición 2.



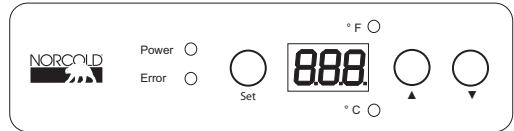
Art02215

Interruptor de corte por batería descargada	12 VCC	24 VCC
1	voltaje de apagado 10,7 V - voltaje de encendido 11,6 V	voltaje de apagado 22,6 V - voltaje de encendido 24,0 V
2	voltaje de apagado 11,6 V - voltaje de encendido 12,5 V	voltaje de apagado 24,2 V - voltaje de encendido 25,2 V
3	voltaje de apagado 10,4 V - voltaje de encendido 11,3 V	voltaje de apagado 21,8 V - voltaje de encendido 23,2 V

## Ajuste de la temperatura

El tablero de ajuste de temperatura (vea la ilustración Art02216) tiene dos modos de funcionamiento: el modo de ajuste de fábrica y el modo de ajuste con memoria. En ambos modos, se puede ajustar los controles para mantener la temperatura, en la parte central del refrigerador/congelador, entre -13°F (-25°C) y 108°F (42°C).

Mantenga pulsadas las teclas de flecha arriba y el botón SET (ajustar) por unos cuantos segundos para cambiar la indicación de temperatura entre grados Fahrenheit (°F) y centígrados (°C).



### Modo de ajuste de fábrica

Art02216

Cada vez que se encienda el refrigerador/congelador, el ajuste de temperatura es 5°F (-15°C). Si se desea cambiar el ajuste de temperatura:

- Mantenga oprimido el botón SET (ajustar) por 2 segundos.
- Mantenga oprimida la flecha hacia arriba o hacia abajo hasta que aparezca la temperatura deseada en la ventanilla.
- Suelte la flecha hacia arriba o hacia abajo para seleccionar el ajuste de temperatura.

### Modo de ajuste con memoria

La primera vez que se enciende el refrigerador/congelador, el ajuste de temperatura es 5°F (-15°C). Si se desea cambiar el ajuste de temperatura:

- Mantenga oprimido el botón SET (ajustar) por 2 segundos.
- Mantenga oprimida la flecha hacia arriba o hacia abajo hasta que aparezca la temperatura deseada en la ventanilla.
- Suelte la flecha hacia arriba o hacia abajo para seleccionar el ajuste de temperatura.
- Mantenga oprimido el botón SET (ajustar) por 2 segundos.
- La próxima vez que se enciende el refrigerador/congelador, la temperatura estará ajustada a este mismo valor, salvo que se elija cambiarlo.

NOTA: El refrigerador/congelador tiene un función de protección de retardo para evitar la sobrecarga del vehículo durante el arranque. La temperatura indicada en la ventanilla deberá cambiar dentro de los primeros 15 minutos de funcionamiento.

Cuando el refrigerador/congelador no está en uso, desenchufe el cordón eléctrico de CC del encendedor de cigarrillos para evitar que la batería se descargue.

## **El enfriamiento excesivo agota la batería de su vehículo**

Cuando la temperatura ambiente es entre 70°F (21°C) y 90°F (32°C), mantenga la temperatura ajustada a aproximadamente 40°F (4°C) para evitar la descarga excesiva de la batería. Para hacer hielo, o guardar alimentos congelados, cambie el ajuste de temperatura a aproximadamente 25°F (-4°C).

## **Revisión del nivel de carga de la batería**

Si el voltaje de CC al refrigerador/congelador es menor que 10,7 voltios, el rendimiento de enfriamiento del refrigerador/congelador disminuirá inmediatamente. Verifique que la batería esté completamente cargada.

Una batería completamente cargada dará una indicación de gravedad específica entre 1,260 y 1,280. Se obtiene una mejor indicación de voltaje de la batería cuando el refrigerador está encendido y el sistema de carga de la batería está apagado. Cargue la batería cuando la gravedad específica es menor que 1,200.

**NOTA:** Nunca use un cargador de baterías o un rectificador, etc. en lugar del adaptador de encendedor de cigarrillos para hacer funcionar el refrigerador/congelador con alimentación de CC. Estos dispositivos eléctricos causan altas fluctuaciones de voltaje o sobrevoltajes transitorios que pueden dañar el refrigerador/congelador.

Nunca use un inversor o convertidor comercial para hacer funcionar el refrigerador/congelador con alimentación de CA. Estos dispositivos eléctricos no mantienen la frecuencia constante que se necesita para el refrigerador/congelador.

Use un cargador rápido en la batería del vehículo únicamente si el interruptor eléctrico está en la posición "OFF" (apagado). Si se usa un cargador rápido en la batería mientras el interruptor eléctrico está encendido, se puede ocasionar daño al refrigerador/congelador.

## **Información básica de la unidad de enfriamiento**

La unidad de enfriamiento de su refrigerador/congelador Norcold genera calor. Es indispensable extraer rápida y eficientemente este calor para que el refrigerador/congelador brinde su rendimiento máximo de enfriamiento. Cuando el refrigerador/congelador está en un espacio cerrado, la temperatura dentro de ese espacio aumenta rápidamente y reduce el rendimiento de enfriamiento del refrigerador/congelador. El uso continuo a temperaturas altas puede dañar el compresor y otros componentes del refrigerador/congelador.

Se necesita que el aire fluya libremente (ventilación) a través del serpentín del condensador del refrigerador/congelador para que funcione correctamente. Si bien los refrigeradores/congeladores Norcold están hechos para funcionar en condiciones más severas que los refrigeradores/congeladores de uso doméstico típicos, no se los debe usar a temperaturas ambiente altas. Esto resultará en rendimiento deficiente y alimentos echados a perder.

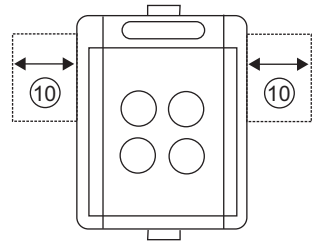
## Principios básicos de la convección

Cuando se ventila un espacio cerrado, tome en consideración las características de la convección natural, que el aire frío desciende y el aire caliente asciende. El diseño de ventilación ideal usa convección natural y proporciona un paso para que el aire frío entre por debajo del refrigerador/congelador y el aire caliente salga por encima del mismo. El diseño del refrigerador/congelador permite que esto ocurra siempre y cuando exista una abertura de ventilación encima de él. El calor generado por el refrigerador/congelador entonces puede salir libremente del espacio cerrado en vez de quedar atrapado en su interior.

## Ventilación para los refrigeradores/congeladores portátiles Norcold

Para obtener el máximo rendimiento de enfriamiento y el más bajo consumo de energía, observe las pautas siguientes. Éstas son especialmente importantes cuando el refrigerador/congelador está colocado debajo de un mostrador o en un espacio cerrado.

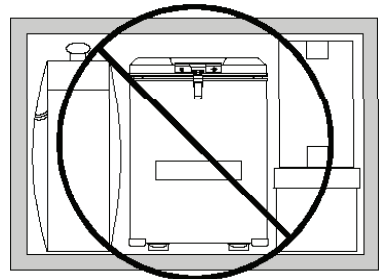
- Verifique que haya un espacio [10] de al menos 4 pulg (102 mm) desde las aberturas de ventilación en cada lado del compartimiento del compresor (vea la ilustración Art02218).
- Cuando se use el refrigerador/congelador en un espacio cerrado tal como el sótano de un vehículo recreativo, verifique que haya al menos 48 pulg<sup>2</sup> (310 cm<sup>2</sup>) de espacio de ventilación encima del compartimiento del compresor. Menos de 48 pulg<sup>2</sup> (310 cm<sup>2</sup>) de espacio de ventilación resultará en rendimiento de refrigeración deficiente, funcionamiento continuo del compresor y una vida útil más corta del refrigerador/congelador.
- El espacio de ventilación debe estar abierto hacia el área habitable del vehículo



Art02218

## Almacenamiento

Cuando se almacena el refrigerador/congelador, verifique que no haya nada ninguna obstrucción (maletas, etc.) alrededor del mismo mientras está funcionando (vea la ilustración Art02219). Verifique que haya un espacio de ventilación adecuado hacia el refrigerador/congelador. Ubique el espacio de ventilación en un lugar que permita la convección natural a través del serpentín del condensador del refrigerador/congelador y alrededor del compresor.



Art02219

## Almacenamiento de alimentos

Guarde los alimentos frescos en platos cubiertos, bolsas de plástico, envueltos en papel de aluminio, etc. para evitar que se sequen y también que se transfieran olores de un alimento guardado a otro.

Guarde los alimentos congelados por varios días siempre que permanezcan completamente congelados. Si se deja que se los alimentos descongelen, NO intente volver a congelarlos. Ya que los líquidos se expanden cuando se congelan, no los congele en envases de vidrio porque éstos podrían quebrarse a causa de ello.

## Descongelación

Es normal que se acumule escarcha en el revestimiento dentro del refrigerador/congelador. El exceso de escarcha reduce el rendimiento de enfriamiento del refrigerador/congelador. Descongele el refrigerador/congelador según sea necesario.



**PRECAUCIÓN:** No use objetos afilados, un secador de pelo, una pistola de aire caliente, etc. para descongelar el refrigerador/congelador. Se puede dañar el interior del refrigerador/congelador.

- Ponga el interruptor eléctrico en la posición "OFF" (apagado).
- Saque todos los alimentos del refrigerador/congelador.
- Coloque toallas (etc.) secas dentro del refrigerador/congelador para absorber el agua sobrante.
- Retire las toallas (etc.) mojadas y seque el interior del refrigerador/congelador.
- Encienda el refrigerador/congelador y ajuste la temperatura.
- Coloque los alimentos en el refrigerador/congelador.

## Limpieza

Un buen momento para limpiar el refrigerador/congelador es inmediatamente después de descongelarlo.

Limpie el interior del refrigerador/congelador tan a menudo como sea necesario para evitar olores de los alimentos:

- Saque todos los alimentos del refrigerador/congelador.

**NOTA:** No use limpiadores abrasivos, productos químicos o esponjas de fregar porque pueden dañar el interior del refrigerador/congelador.

- Lave el interior del refrigerador/congelador y la empaquetadura de la puerta con una solución de agua tibia y detergente líquido para platos.
- Enjuague con agua limpia y seque.

## Localización de averías

Luces indicadoras	Problema	Solución
La luz de alimentación está iluminada. La luz de error está apagada.	Ningún problema.	Condición de funcionamiento normal.
La luz de alimentación está apagada. La luz de error está apagada.	No llega energía eléctrica al refrigerador/ congelador.	Revise el cristal de 10 A en el cuerpo del enchufe del cordón eléctrico que se conecta al encendedor de cigarrillos.
La luz de alimentación está iluminada. La luz de error destella una vez.	El voltaje es incorrecto.	Apague el refrigerador/congelador, o vuelva a elegir el ajuste de voltaje, o el voltaje al refrigerador/ congelador es bajo. * Cuando se usa el convertidor CA/CC para hacer funcionar el refrigerador/congelador, asegúrese que el interruptor de corte por batería descargada está en la posición 1 ó 3.
La luz de alimentación está iluminada. La luz de error destella dos veces.	La corriente es incorrecta (o la corriente al ventilador es incorrecta).	Revise el ventilador.
La luz de alimentación está iluminada. La luz de error destella tres veces.	La velocidad del ventilador es incorrecta.	La temperatura ambiente es superior a la temperatura normal de funcionamiento, o la abertura de admisión de aire del refrigerador/congelador está obstruida.
La luz de alimentación está iluminada. La luz de error destella de forma continua.	La temperatura es incorrecta.	La temperatura ambiente es superior a la temperatura normal de funcionamiento, o la abertura de admisión de aire del refrigerador/congelador está obstruida.

## Especificaciones del refrigerador/congelador

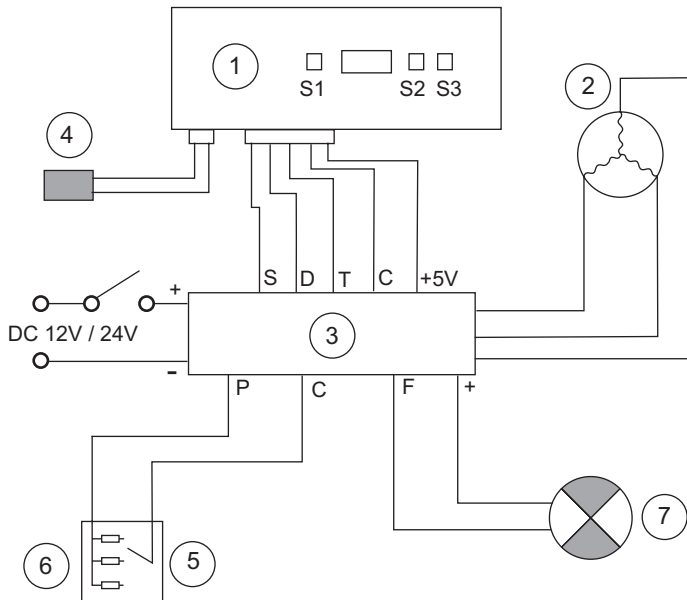
	Modelo NRF-30	Modelo NRF-45	Modelo NRF-60
Capacidad (bruta)	7,9 gal (30 l)	11,8 gal (45 l)	15,6 gal (59 l)
Dimensiones (al x l x an)	15,6 pulg (397 mm) x 22,0 pulg (560 mm) x 15,7 pulg (400 mm)	16,9 pulg (430 mm) x 25,5 pulg (650 mm) x 15,7 pulg (400 mm)	20,4 pulg (520 mm) x 25,5 pulg (650 mm) x 15,7 pulg (400 mm)
Voltaje	12/24 VCC a $\leq 4,0$ A $\pm 10\%$	12/24 VCC a $\leq 5,0$ A $\pm 10\%$	12/24 VCC a $\leq 5,5$ A $\pm 10\%$
Consumo de energía promedio	$\leq 45$ W + 15%	$\leq 50$ W + 15%	$\leq 55$ W + 15%
Gama de temperatura	46°F (8°C) a $\geq 0$ °F (-18°C) (variable mediante termostato electrónico)	46°F (8°C) a $\geq 0$ °F (-18°C) (variable mediante termostato electrónico)	46°F (8°C) a $\geq 0$ °F (-18°C) (variable mediante termostato electrónico)
Peso	Neto: 39,6 lb (19 kg)	Neto: 44,0 lb (20 kg)	Neto: 49,6 lb (22,5 kg)
Refrigerante	R134a	R134a	R134a
Capacidad de refrigeración	Temperatura de 0°F (-18°C) en 2 horas (en condiciones de funcionamiento normales con carga nominal)	Temperatura de 3,2°F (-16°C) en 2 horas (en condiciones de funcionamiento normales con carga nominal)	Temperatura de 3,2°F (-15°C) en 2 horas (en condiciones de funcionamiento normales con carga nominal)
Otras características	Tablero de control de temperatura digital. Ajuste automático de par motor del compresor y velocidad del ventilador.	Tablero de control de temperatura digital. Ajuste automático de par motor del compresor y velocidad del ventilador.	Tablero de control de temperatura digital. Ajuste automático de par motor del compresor y velocidad del ventilador.



## Diagrama de alambrado

(vea la ilustración Art02278)

- |         |                                       |
|---------|---------------------------------------|
| 1. .... | Tablero de uso y control              |
| 2. .... | Compresor                             |
| 3. .... | Unidad de control del compresor       |
| 4. .... | Sensor de temperatura                 |
| 5. .... | Interruptor                           |
| 6. .... | Interruptor de corte por voltaje bajo |
| 7. .... | Ventilador                            |



Art02278

## Free Manuals Download Website

<http://myh66.com>

<http://usermanuals.us>

<http://www.somanuals.com>

<http://www.4manuals.cc>

<http://www.manual-lib.com>

<http://www.404manual.com>

<http://www.luxmanual.com>

<http://aubethermostatmanual.com>

Golf course search by state

<http://golfingnear.com>

Email search by domain

<http://emailbydomain.com>

Auto manuals search

<http://auto.somanuals.com>

TV manuals search

<http://tv.somanuals.com>