

# NordicTrack®

## ELITE

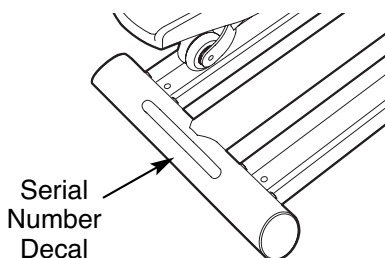
1 3 0 0

## USER'S MANUAL

Model No. NTEL4255.0

Serial No. \_\_\_\_\_

Write the serial number in the space above for reference.



### QUESTIONS?

As a manufacturer, we are committed to providing complete customer satisfaction. If you have questions, or if parts are damaged or missing, **PLEASE DO NOT CONTACT THE STORE; please contact Customer Care.**

**IMPORTANT:** You must note the product model number and serial number (see the drawing above) before contacting us:

CALL TOLL-FREE:

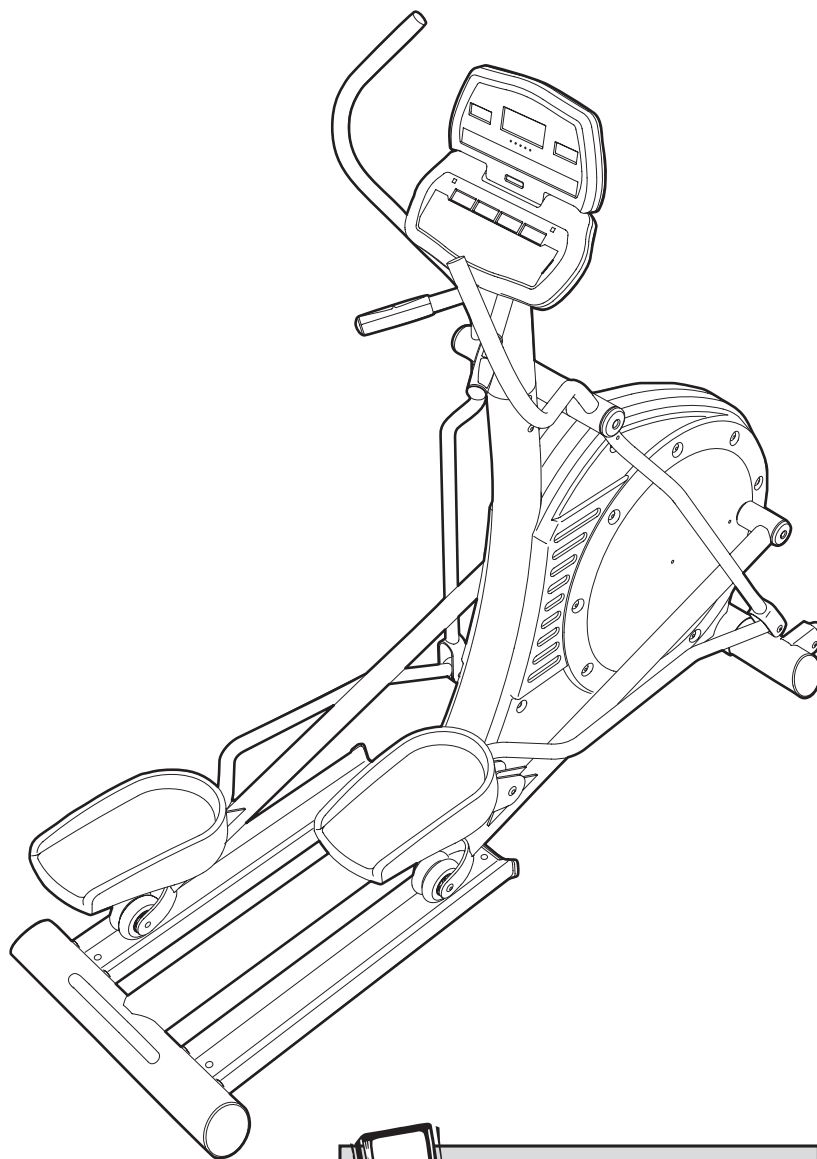
**1-888-825-2588**

Mon.–Fri. 6 a.m.–6 p.m. MST

Sat. 8 a.m.–4 p.m. MST

ON THE WEB:

[www.nordictrackservice.com](http://www.nordictrackservice.com)



### ⚠ CAUTION

Read all precautions and instructions in this manual before using this equipment. Keep this manual for future reference.



Visit our website at

[www.nordictrack.com](http://www.nordictrack.com)

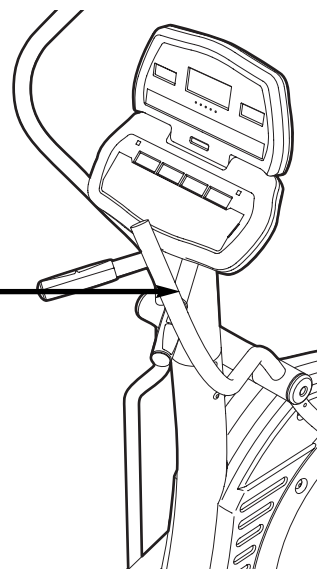
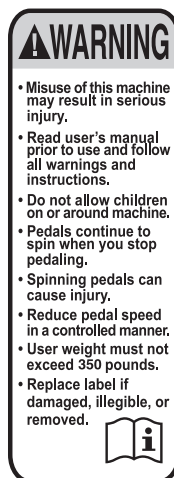
new products, prizes,  
fitness tips, and much more!

# TABLE OF CONTENTS

WARNING DECAL PLACEMENT .....	.2
IMPORTANT PRECAUTIONS .....	.3
BEFORE YOU BEGIN .....	.4
ASSEMBLY .....	.5
HOW TO USE THE CHEST PULSE SENSOR .....	.12
HOW TO USE THE ELLIPTICAL EXERCISER .....	.14
MAINTENANCE AND TROUBLESHOOTING .....	.22
EXERCISE GUIDELINES .....	.23
PART LIST .....	.24
EXPLODED DRAWING .....	.25
ORDERING REPLACEMENT PARTS .....	.Back Cover
LIMITED WARRANTY .....	.Back Cover

## WARNING DECAL PLACEMENT

The warning decal shown here has been applied in the location shown. **If the decal is missing or illegible, call the telephone number on the front cover of this manual and request a free replacement decal. Apply the decal in the location shown.** Note: The decal may not be shown at actual size.



# IMPORTANT PRECAUTIONS

**⚠️ WARNING:** To reduce the risk of serious injury, read all important precautions and instructions in this manual and all warnings on your elliptical exerciser before using your elliptical exerciser. ICON assumes no responsibility for personal injury or property damage sustained by or through the use of this product.

1. Before beginning any exercise program, consult your physician. This is especially important for persons over the age of 35 or persons with pre-existing health problems.
2. It is the responsibility of the owner to ensure that all users of the elliptical exerciser are adequately informed of all precautions.
3. Your elliptical exerciser is intended for home use only. Do not use your elliptical exerciser in a commercial, rental, or institutional setting.
4. Keep your elliptical exerciser indoors, away from moisture and dust. Place your elliptical exerciser on a level surface, with a mat beneath it to protect the floor or carpet. Make sure that there is enough clearance around your elliptical exerciser to mount, dismount, and use it.
5. Inspect and properly tighten all parts regularly. Replace any worn parts immediately.
6. Keep children under age 12 and pets away from your elliptical exerciser at all times.
7. Your elliptical exerciser should not be used by persons weighing more than 350 lbs. (159 kg).
8. Wear appropriate exercise clothes while exercising; do not wear loose clothes that could become caught on your elliptical exerciser. Always wear athletic shoes for foot protection while exercising.
9. Hold the handgrip pulse sensor or the handlebars when mounting, dismounting, or using your elliptical exerciser.
10. Keep your back straight while using your elliptical exerciser; do not arch your back.
11. The pulse sensor is not a medical device. Various factors, including the user's movement, may affect the accuracy of heart rate readings. The pulse sensor is intended only as an exercise aid in determining heart rate trends in general.
12. When you stop exercising, allow the pedals to slowly come to a stop.
13. If you feel pain or dizziness while exercising, stop immediately and cool down.
14. Use your elliptical exerciser only as described in this manual.
15. The battery pack contains materials that are considered hazardous to the environment. Proper disposal of the battery is required by federal law.

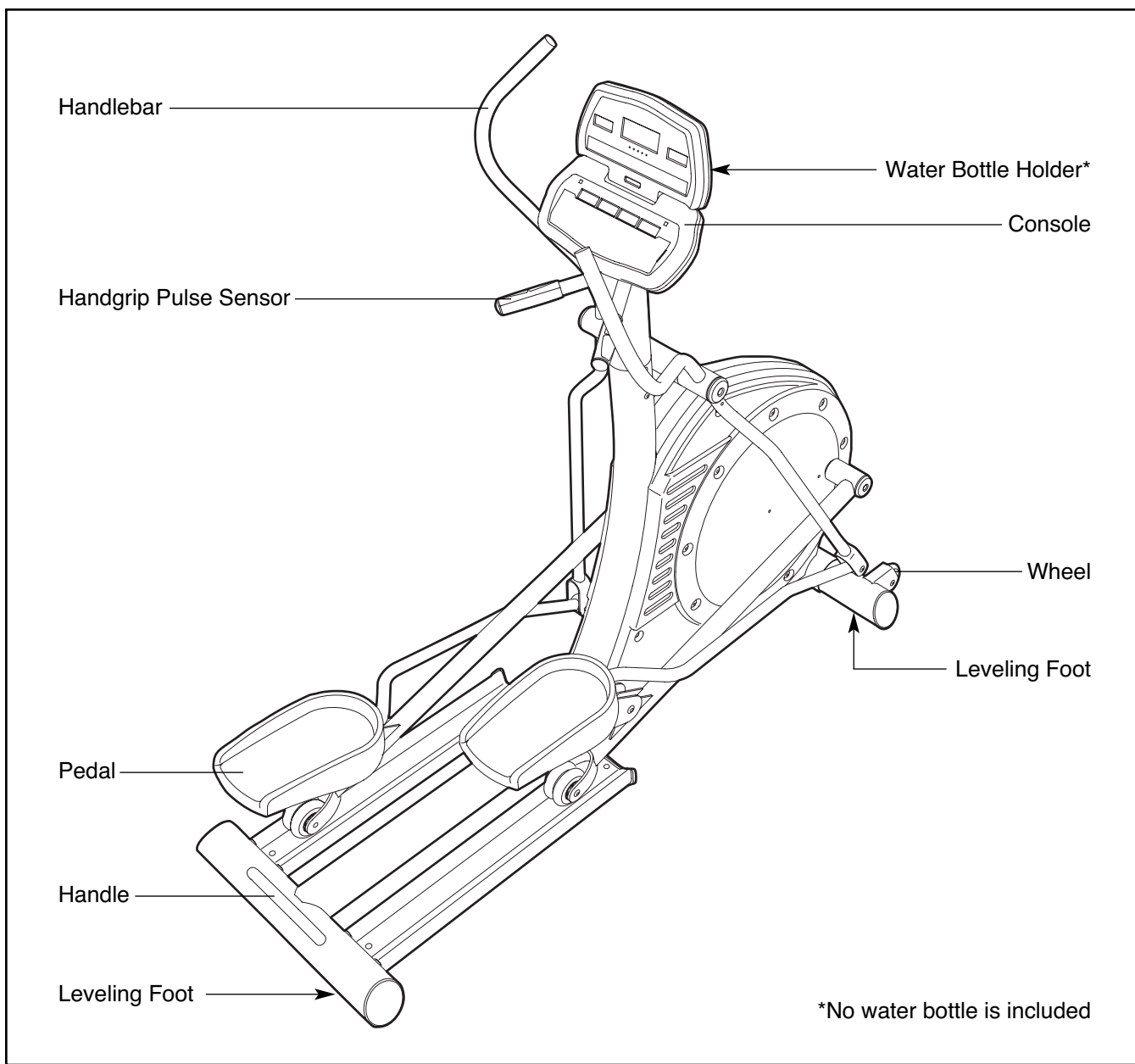
# BEFORE YOU BEGIN

Congratulations for selecting the new NordicTrack® ELITE 1300 elliptical exerciser. The ELITE 1300 elliptical exerciser is an incredibly smooth exerciser that moves your feet in a natural elliptical path, minimizing the impact on your knees and ankles. And the ELITE 1300 elliptical exerciser offers an array of features designed to help you achieve your fitness goals in the convenience and privacy of your home.


**For your benefit, read this manual carefully before you use the elliptical exerciser.** If you have ques-

tions after reading this manual, please see the front cover of this manual. To help us assist you, note the product model number and serial number before contacting us. The model number and the location of the serial number decal are shown on the front cover of this manual.

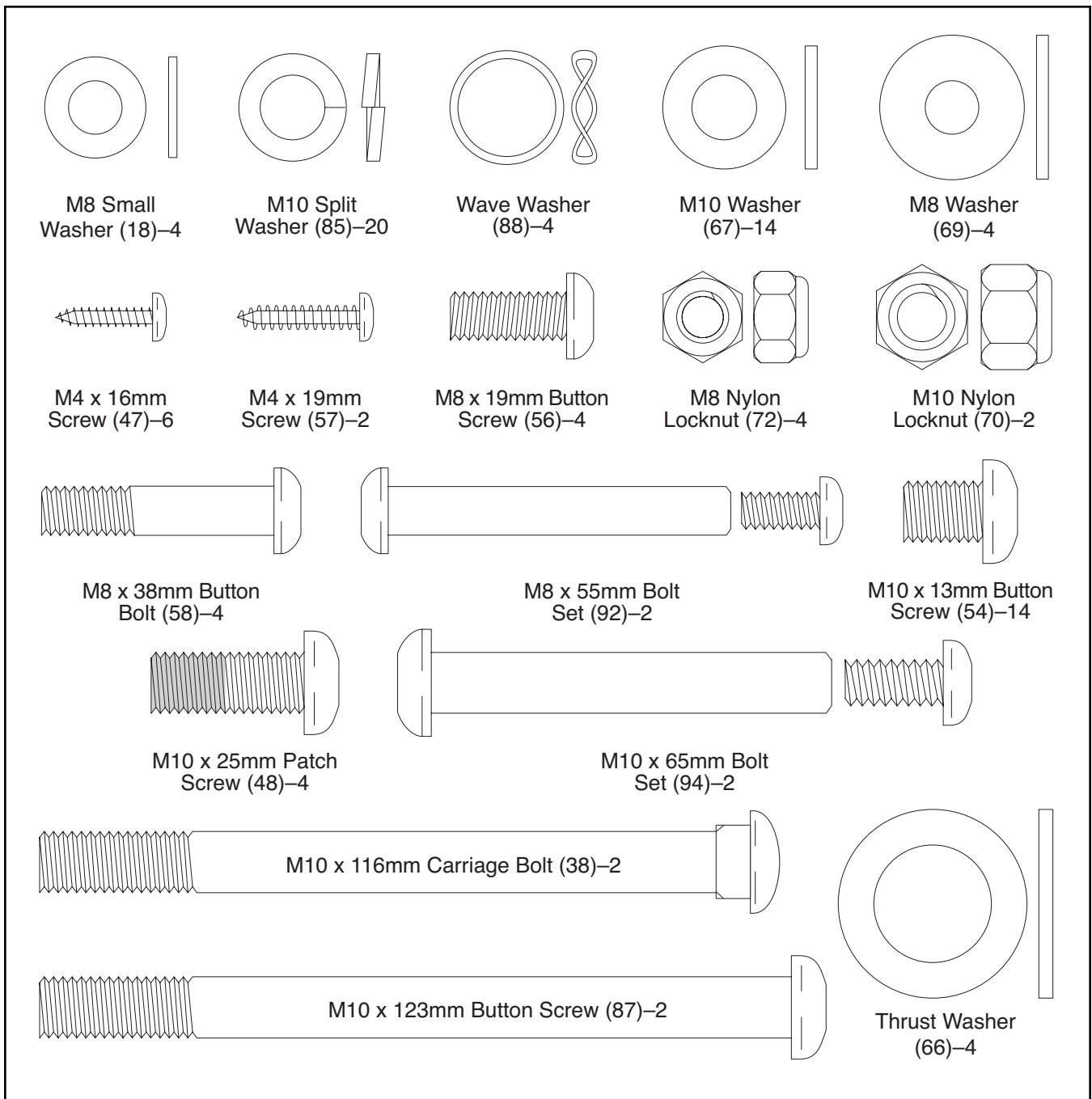
Before reading further, please familiarize yourself with the parts that are labeled in the drawing below.



# ASSEMBLY

**Assembly requires two persons.** Place all parts of the elliptical exerciser in a cleared area and remove the packing materials. Do not dispose of the packing materials until assembly is completed. **In addition to the included hex keys, assembly requires an adjustable wrench** .

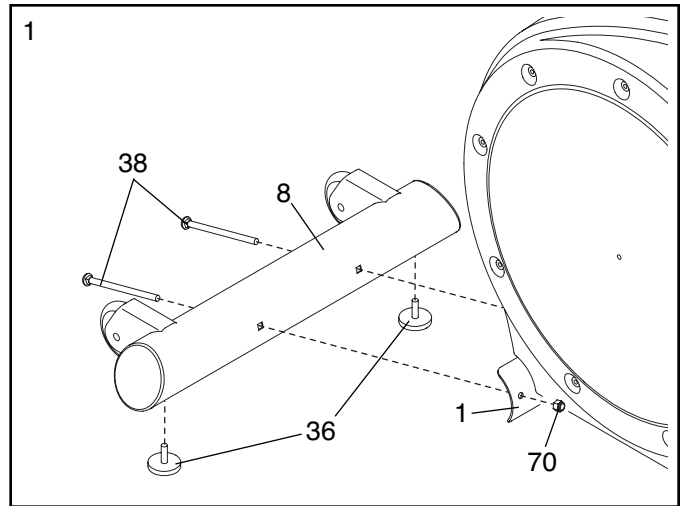
As you assemble the elliptical exerciser, use the drawings below to identify small parts. The number in parentheses below each drawing is the key number of the part, from the PART LIST near the end of this manual. The number following the parentheses is the quantity needed for assembly. **Note: Some small parts may have been pre-assembled. If a part is not in the hardware kit, check to see if it has been preassembled.**



1.

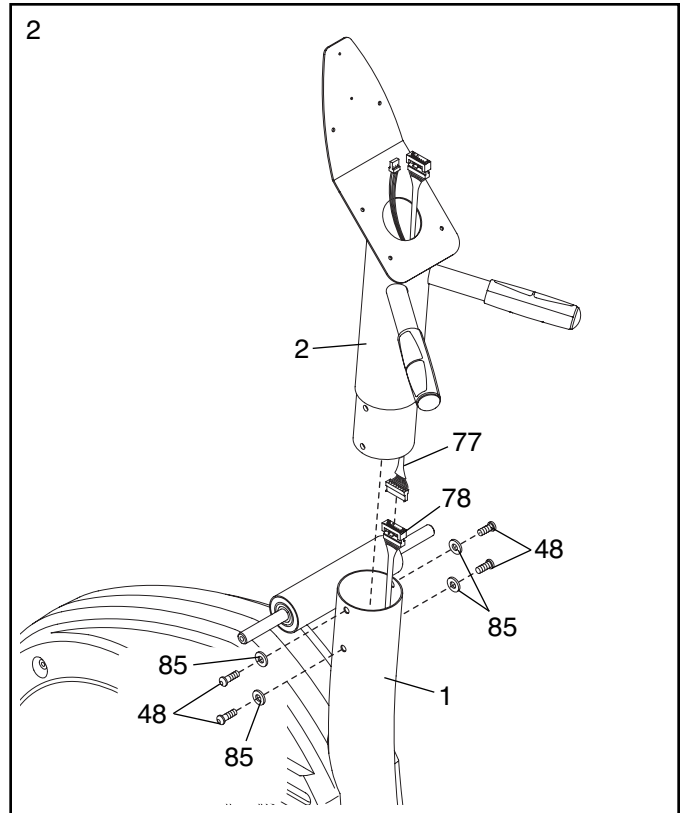
To make assembly easier, read the information on page 5 before you begin assembling the elliptical exerciser.

Attach the Stabilizer (8) to the Frame (1) with two M10 x 116mm Carriage Bolts (38) and two M10 Nylon Locknuts (70). Tighten two Leveling Feet (36) into the underside of the Stabilizer.



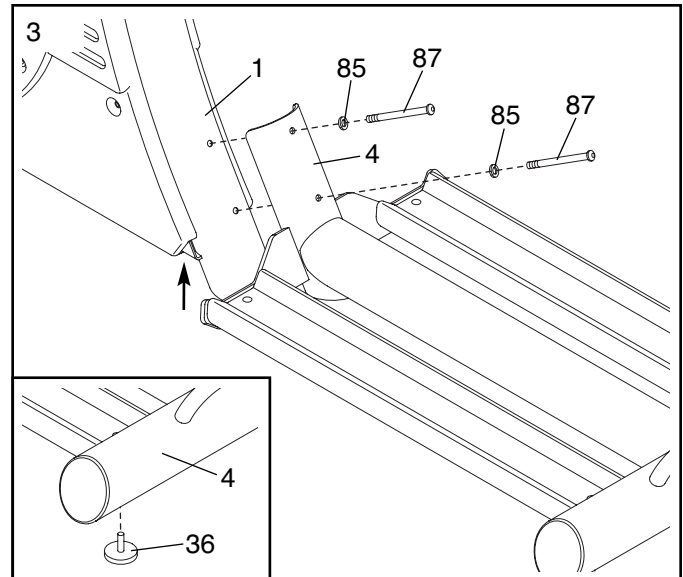
2. Have another person hold the Upright (2) in the position shown. Connect the Upper Wire Harness (77) to the Lower Wire Harness (78).

Attach the Upright (2) to the Frame (1) with four M10 x 25mm Patch Screws (48) and four M10 Split Washers (85). **Make sure that no wires are pinched between the Upright and the Frame.**



- Attach the Track Frame (4) to the Frame (1) with two M10 x 123mm Button Screws (87) and two M10 Split Washers (85). Finger tighten a Button Screw into the lower hole first, and then finger tighten a Button Screw into the upper hole. Then, tighten both Button Screws. Note: This step may be easier if you raise the Frame a few inches in the location shown by the arrow at the right while you attach the Track Frame.

See the inset drawing, tighten two Leveling Feet (36) into the underside of the Track Frame (4).

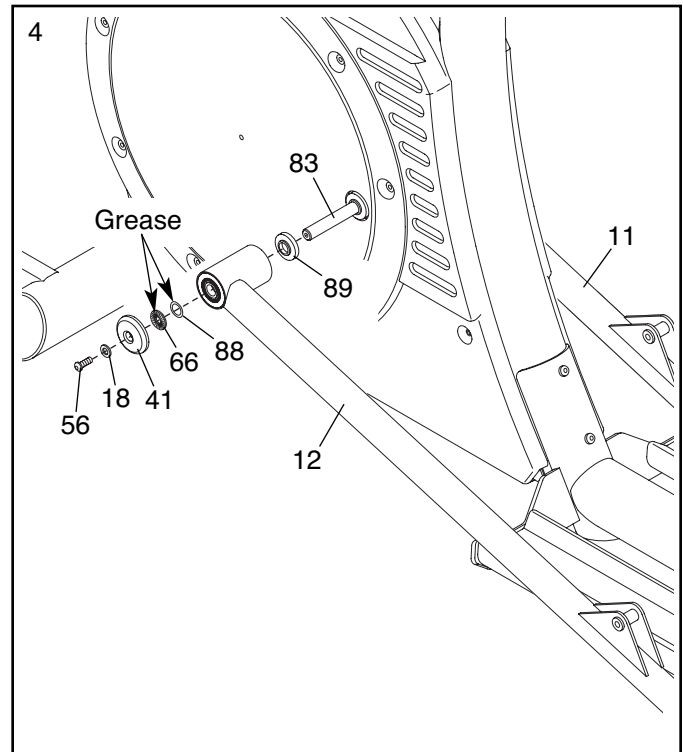


- Apply a small amount of the included grease to the sides of two Wave Washers (88) and two Thrust Washers (66).

Slide a Weld Spacer (89) onto the Left Crank Arm (83). Next, identify the Left Track Arm (12), which is marked with an "L." Orient the Left Track Arm as shown, and slide it onto the Left Crank Arm. Then, slide a Wave Washer (88) on the end of the Left Crank Arm.

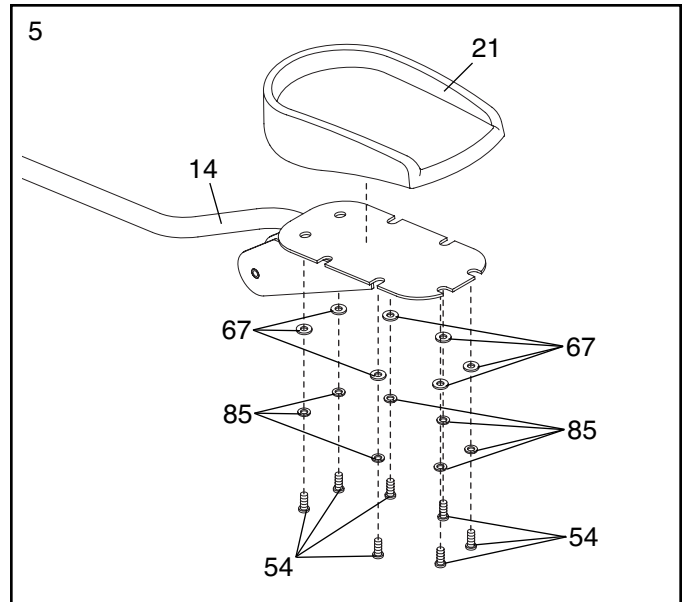
Slide an M8 Small Washer (18) and an Axle Cap (41) onto an M8 x 19mm Button Screw (56). Next, slide a Thrust Washer (66) onto the shoulder of the Axle Cap. Then, tighten the Button Screw into the end of the Left Crank Arm (83). **Make sure that the Thrust Washer remains on the shoulder of the Axle Cap, and that the Wave Washer (88) remains on the end of the Left Crank Arm.**

Repeat this step to attach the Right Track Arm (11) to the right side of the elliptical exerciser.



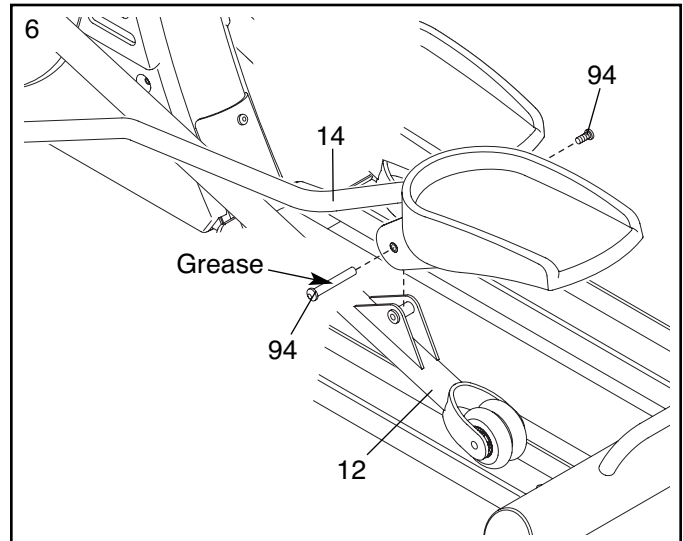
- Attach a Pedal (21) to the Left Pedal Leg (14) with seven M10 x 13mm Button Screws (54), seven M10 Split Washers (85), and seven M10 Washers (67).

Attach the other Pedal (not shown) to the Right Pedal Leg (not shown) in the same way.



- Apply a thin film of grease to the barrel of an M10 x 65mm Bolt Set (94). Next, fit the bracket on the Left Pedal Leg (14) onto the bracket on the Left Track Arm (12). Attach the Left Pedal Leg to the Left Track Arm with the Bolt Set.

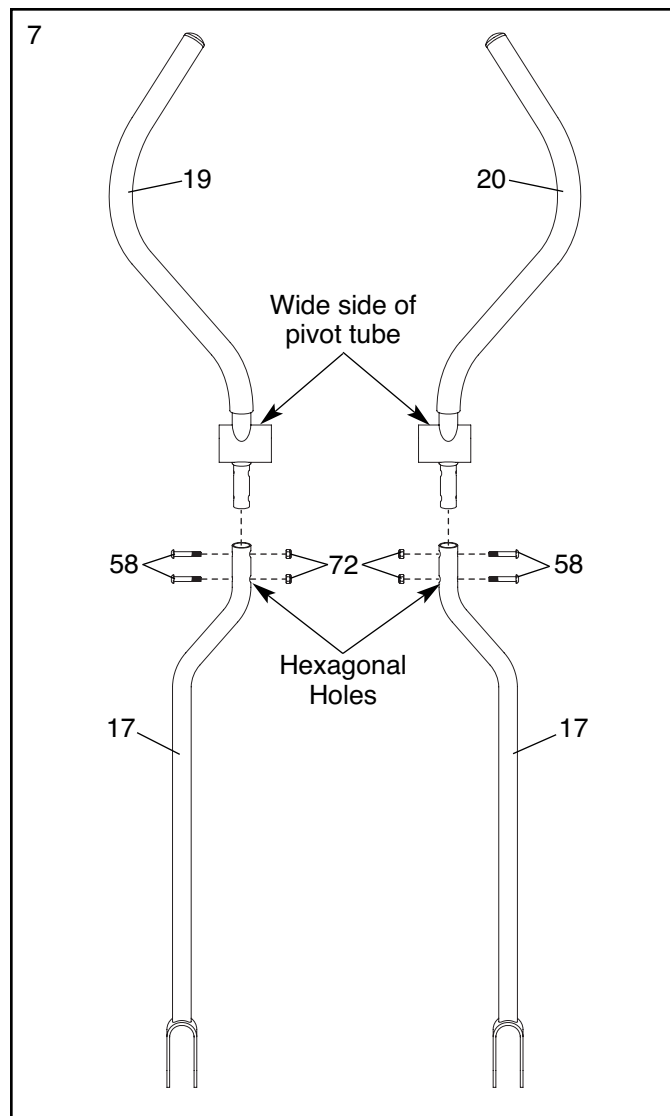
Attach the Right Pedal Leg (not shown) to the Right Track Arm (not shown) in the same way.





7. Identify the Left Handlebar (19), which is marked with an "L." Insert the Left Handlebar into one of the Handlebar Legs (17). **Next, turn the Left Handlebar and the Handlebar Leg so that the wide side of the pivot tube on the Left Handlebar is above the hexagonal holes in the Handlebar Leg.** Attach the Left Handlebar with two M8 x 38mm Button Bolts (58) and two M8 Nylon Locknuts (72). **Make sure that the Nylon Locknuts are inside of the hexagonal holes. Do not tighten the Button Bolts yet.**

Assemble the Right Handlebar (20) and the other Handlebar Leg (17) in the same way.

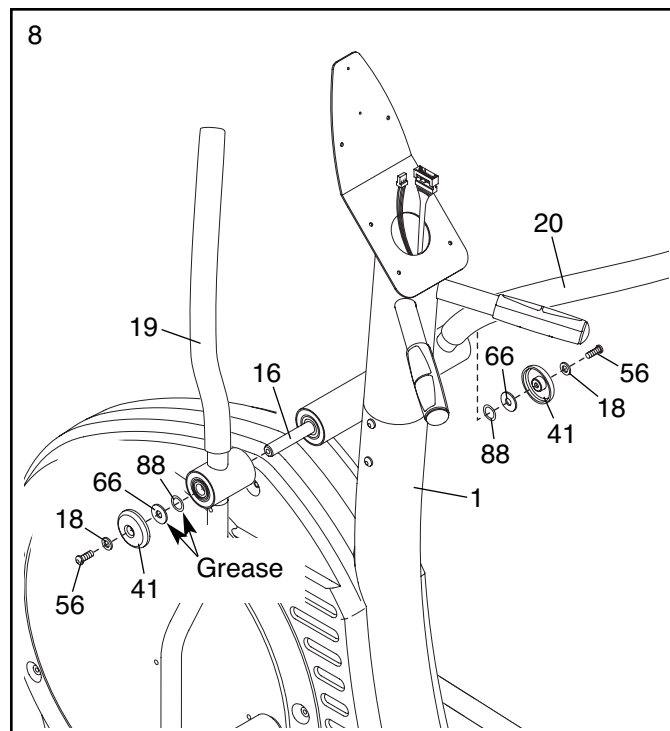


8. Apply a small amount of grease to the sides of two Wave Washers (88) and two Thrust Washers (66).

Slide the Left Handlebar (19) onto the Handlebar Axle (16) as shown. Next, slide a Wave Washer (88) onto the end of the Handlebar Axle.

Slide an M8 Small Washer (18) and an Axle Cap (41) onto an M8 x 19mm Button Screw (56). Next, slide a Thrust Washer (66) onto the shoulder of the Axle Cap. Then, tighten the Button Screw into the end of the Handlebar Axle (16). **Make sure that the Thrust Washer remains on the shoulder of the Axle Cap, and that the Wave Washer (88) remains on the end of the Handlebar Axle.**

Assemble the Right Handlebar (20) in the same way. Then, tighten both M8 x 19mm Button Screws (56) at the same time.

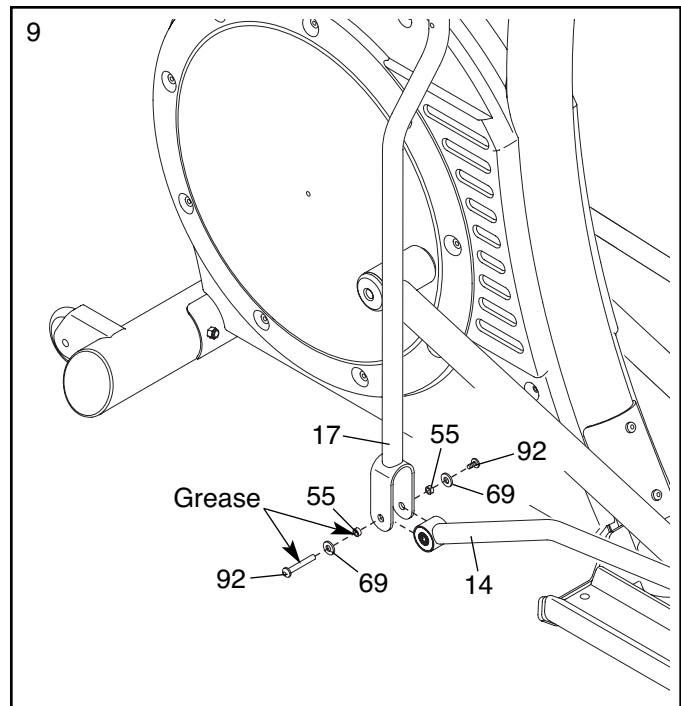


9. Apply a film of grease to the barrel of an M8 x 55mm Bolt Set (92) and to a 7mm Spacer (55). Slide an M8 Washer (69) and the Spacer onto the barrel.

While another person holds the front end of the Left Pedal Leg (14) inside of the bracket on the left Handlebar Leg (17), insert the barrel of the Bolt Set (92) through both parts. Next, slide a 7mm Spacer (55) and an M8 Washer (69) onto the end of the barrel of the Bolt Set. Then, turn the screw of the Bolt Set a few turns into the barrel. **Do not overtighten the Bolt Set; the left Handlebar Leg must be able to pivot freely.**

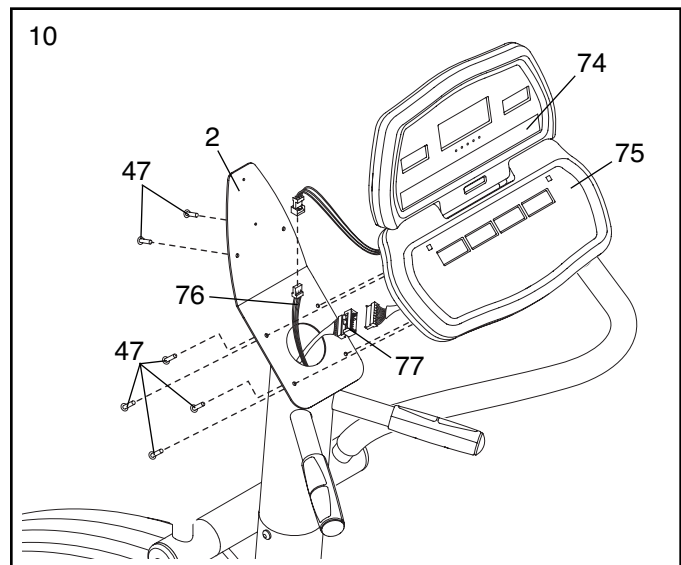
Attach the right Handlebar Leg (not shown) to the Right Pedal Leg (not shown) in the same way.

See step 7. Tighten the four M8 x 38mm Button Screws (58).



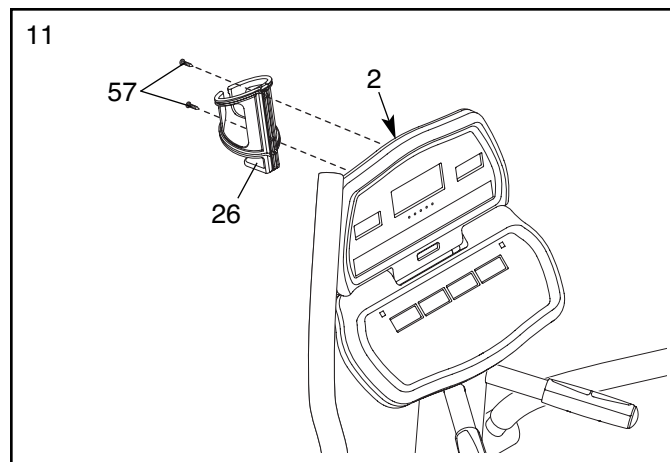
10. While another person holds the Display Console (74) and the Control Console (75) near the Upright (2), connect the Pulse Jumper Wire (76) to the console pulse wire, and the Upper Wire Harness (77) to the console wire harness. Insert the excess wires into the Upright.

Set the Consoles (74, 75) on the Upright (2). Attach the Consoles with six M4 x 16mm Screws (47). **Make sure that no wires are pinched. Do not tighten the Screws yet.**



11. Attach the Water Bottle Holder (26) to the Upright (2) with two M4 x 19mm Screws (57).

See step 10. Tighten the six M4 x 16mm Screws (47).



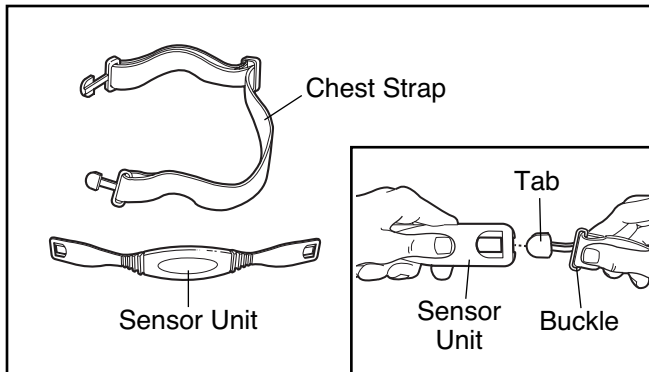
12. **Make sure that all parts of the elliptical exerciser are properly tightened.** Cover the floor beneath the elliptical exerciser to protect the floor from damage. Note: Some extra hardware may be left over.

# HOW TO USE THE CHEST PULSE SENSOR

To get the best performance from the chest pulse sensor, please read the instructions below.

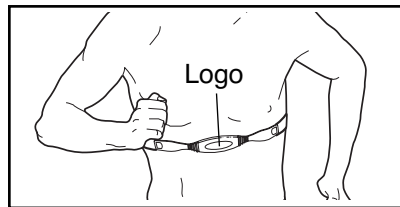
## HOW TO PUT ON THE CHEST PULSE SENSOR

The chest pulse sensor consists of two components: the chest strap and the sensor unit. Follow the steps below to put on the chest pulse sensor.



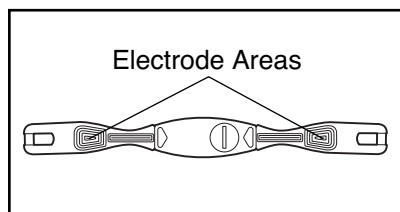
See the inset drawing above. Insert the tab on one end of the chest strap through the hole in one end of the sensor unit as shown.

Wrap the chest pulse sensor around your chest. Attach the free end of the chest strap to the sensor unit as described above.



Adjust the length of the chest strap, if necessary. The chest pulse sensor should be under your clothing, against your skin, and as high under the pectoral muscles or breasts as is comfortable. Make sure that the logo is facing forward and is right-side-up.

Pull the sensor unit away from your body a few inches and locate the two electrode areas on the inner side. Using a saline solution



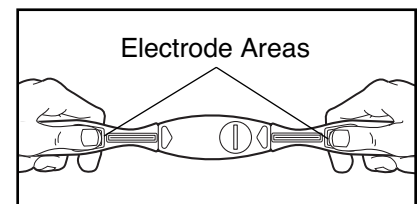
such as saliva or contact lens solution, wet both electrode areas. Then, return the sensor unit to a position against your chest.

## CHEST PULSE SENSOR TROUBLESHOOTING

**If the chest pulse sensor does not function properly, or if the displayed heart rate is excessively high or low, try the steps below.**

- Make sure that the chest pulse sensor is worn exactly as described at the left. If the chest pulse sensor does not function when positioned as described, move it slightly lower or higher on your chest.
- Each time you use the chest pulse sensor, use saline solution such as saliva or contact lens solution to wet the two electrode areas on the sensor unit. If heart rate readings do not appear until you begin perspiring, re-wet the electrode areas.
- Make sure that you are within arm's length of the console. **For the console to display heart rate readings, the user must be within arm's length of the console.**
- The chest pulse sensor is designed to work with people who have normal heart rhythms. Heart rate reading problems may be caused by medical conditions such as premature ventricular contractions (pvc's), tachycardia bursts, and arrhythmia.
- The operation of the chest pulse sensor can be affected by magnetic interference caused by high power lines or other sources. If it is suspected that magnetic interference may be causing a problem, try relocating your exercise equipment.
- If the chest pulse sensor still does not function properly, test the chest pulse sensor in the following way:

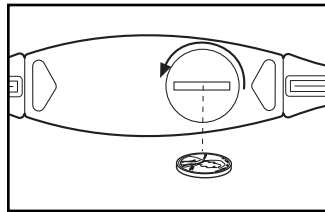
Hold the chest pulse sensor and place your thumbs over the electrode areas as shown.



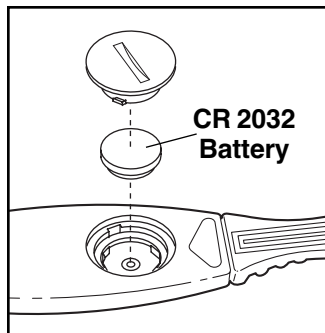
Next, hold the chest pulse sensor near the console. While holding one thumb stationary, begin tapping the other thumb against the electrode area at a rate of about one tap per second. Check the heart rate reading on the console.

- If the chest pulse sensor does not function properly after you have followed all of the above instructions, replace the battery in the following way:

Locate the battery cover on the back of the sensor unit. Insert a coin into the slot in the cover, turn the cover counterclockwise, and remove the cover.



Remove the old battery and insert a new CR 2032 battery. **Make sure that the battery is turned so the writing is on top.** Reattach the battery cover and turn it clockwise to close it.



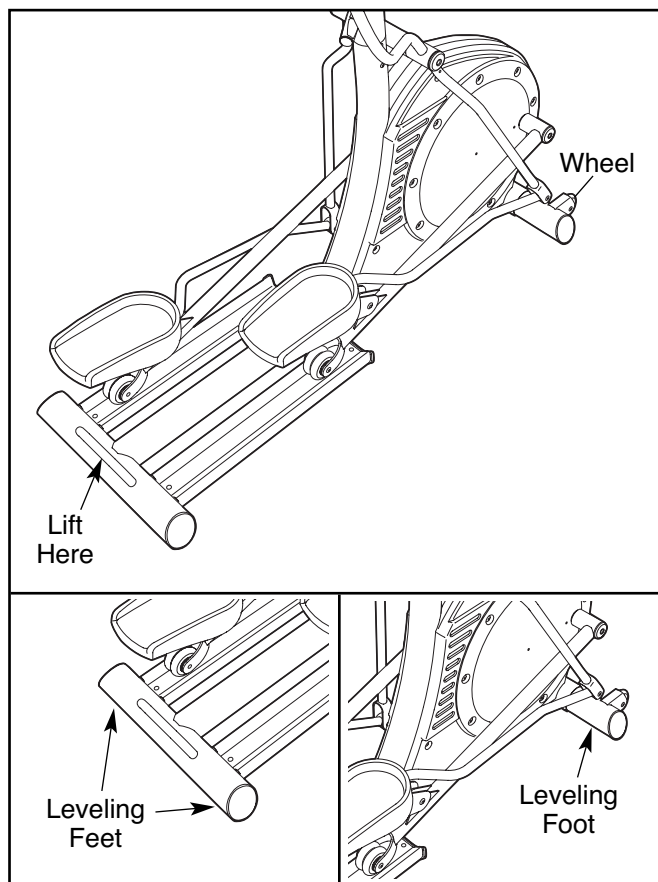
## CHEST PULSE SENSOR CARE

- Thoroughly dry the chest pulse sensor after each use. The chest pulse sensor is activated when the electrode areas are wetted and the chest pulse sensor is put on; the chest pulse sensor shuts off when it is removed and the electrode areas are dried. If the chest pulse sensor is not dried after each use, it may remain activated longer than necessary, draining the battery prematurely.
- Store the chest pulse sensor in a warm, dry place. Do not store the chest pulse sensor in a plastic bag or other container that may trap moisture.
- Do not expose the chest pulse sensor to direct sunlight for extended periods of time. Do not expose the chest pulse sensor to temperatures above 122° Fahrenheit (50° Celsius) or below 14° Fahrenheit (-10° Celsius).
- Do not excessively bend or stretch the sensor unit when using or storing the chest pulse sensor.
- Clean the sensor unit using a damp cloth—never use alcohol, abrasives, or chemicals. The chest strap may be hand washed and air dried.

# HOW TO OPERATE THE ELLIPTICAL EXERCISER

## HOW TO MOVE AND LEVEL THE ELLIPTICAL EXERCISER

Due to the size and weight of the elliptical exerciser, moving it requires two persons. With the help of another person, lift the handle on the rear of the elliptical exerciser until the elliptical exerciser will roll on the front wheels. Carefully move the elliptical exerciser to the desired location and then lower it.



**CAUTION:** To decrease the risk of injury, bend your legs and keep your back straight. Make sure to use your legs rather than your back to lift the elliptical exerciser. Do not attempt to move the elliptical exerciser over an uneven surface.

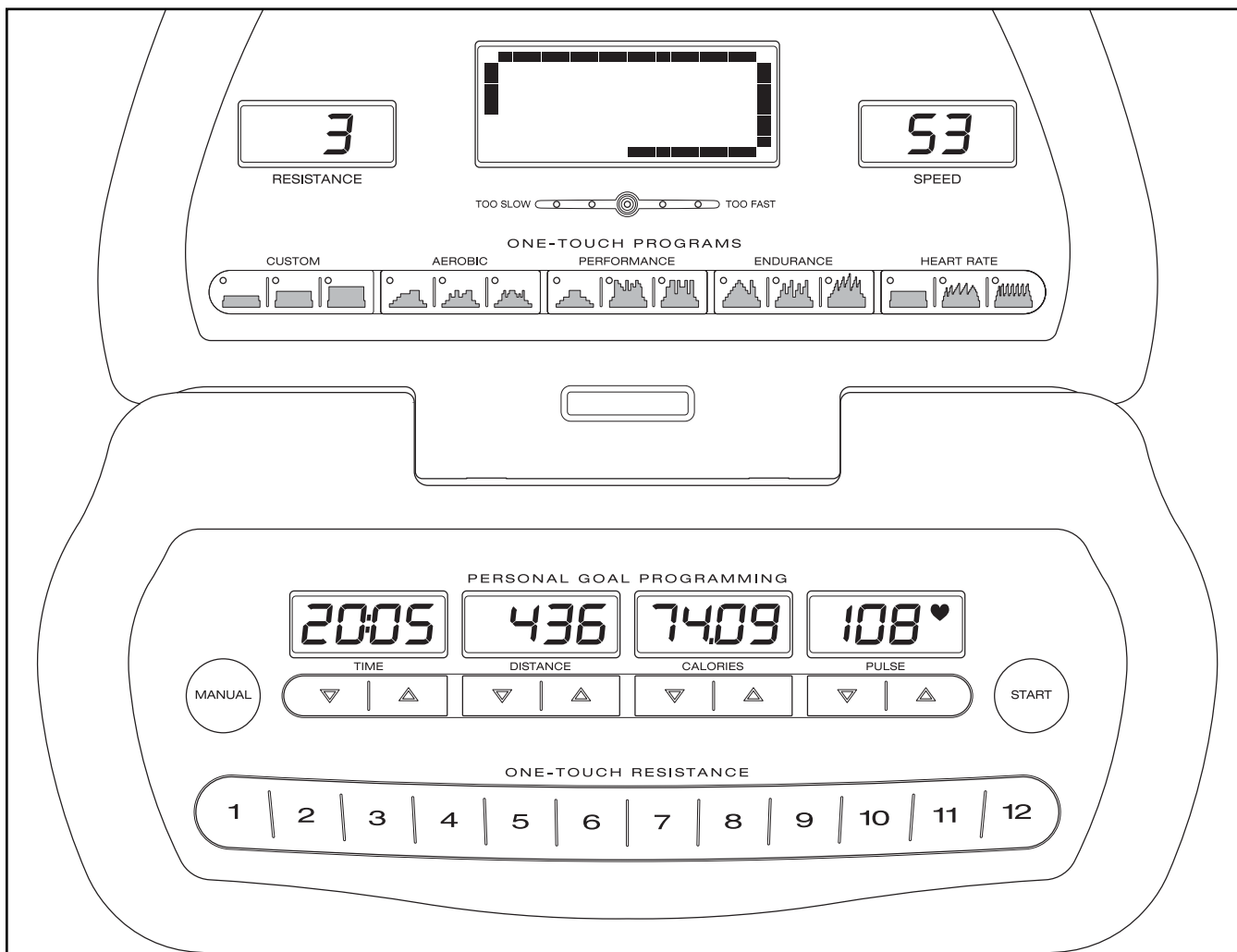
If the elliptical exerciser rocks slightly on your floor, see the inset drawings and turn the leveling feet under the front and rear of the elliptical exerciser until the rocking motion is eliminated.

## EXERCISING ON THE ELLIPTICAL EXERCISER

To mount the elliptical exerciser, hold the handlebars and step onto the pedal that is in the lowest position. Next, step onto the other pedal. Push the pedals until they begin to move with a continuous motion.

To dismount the elliptical exerciser, wait until the pedals come to a complete stop. **The elliptical exerciser does not have a free wheel; the pedals will continue to move until the flywheel stops.** When the pedals are stationary, step off the highest pedal first. Then, step off the lowest pedal.

## DIAGRAM OF THE CONSOLE



### FEATURES OF THE CONSOLE

The advanced console offers a selection of features designed to make your workouts more effective. When the manual mode of the console is selected, the resistance of the pedals can be changed with the touch of a button. As you pedal, the console will provide continuous exercise feedback. You can even measure your heart rate using the built-in handgrip pulse sensor or the chest pulse sensor.

The console also features personal goal programming that allows you to choose a goal for your workout. As you exercise, the console will display feedback until the goal is reached.

In addition, the console offers nine preset programs. Each program automatically changes the resistance of

the pedals and prompts you to increase or decrease your pace as it guides you through an effective workout.

You can even create your own custom workout programs and save them in memory for future use.

The console also features three heart rate programs that automatically change the resistance of the pedals to keep your heart rate near a target heart rate as you exercise.

**To use the manual mode of the console**, see page 16. **To create and use a custom program**, see page 18. **To use a preset program**, see page 19. **To use a heart rate program**, see page 20.

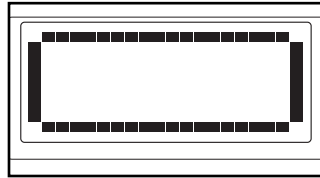
## HOW TO USE THE MANUAL MODE

### 1. Begin pedaling to activate the console.

The elliptical exerciser requires no batteries or external power source. Power is supplied by a generator while you are pedaling. To activate the console, begin pedaling at a moderate pace. After a few seconds, the console displays will light. A tone will then sound and the console will be ready for use.

### 2. Select the manual mode.

When the power is turned on, the manual mode will be selected and a track will appear in the display. If you have selected a program, reselect the manual mode by pressing the Manual button.



### 3. Set a workout goal if desired.

If you do not wish to set a workout goal, go to step 4.

To set a time, distance, or calorie goal for your workout, press the increase and decrease buttons below the Time, Distance, or Calories display. To set a goal quickly, hold down the increase and decrease buttons. **You can set one goal for each workout.**

For example, if you plan to exercise for 30 minutes, press the increase and decrease buttons below the Time display until the display shows a goal of "30:00."



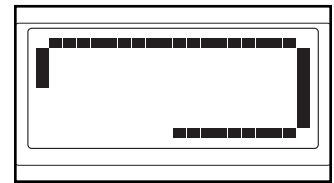
Note: To set a pulse goal, see HOW TO USE A HEART RATE PROGRAM on page 20.

### 4. Begin pedaling and change the resistance of the pedals as desired.

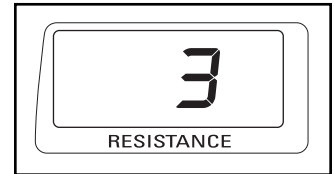
As you pedal, change the resistance of the pedals by pressing the One-touch Resistance buttons if desired. Note: After the One-touch Resistance buttons are pressed, it will take a moment for the pedals to reach the selected resistance level.

### 5. Monitor your progress with the displays.

**The matrix**—When the manual mode is selected, the matrix will show a track representing 1/4 mile. As you exercise, the indicators around the track will light in succession until the entire track is lit. The track will then darken and the indicators will again begin to light in succession.



**The Resistance display**—This display will show the resistance level of the pedals.



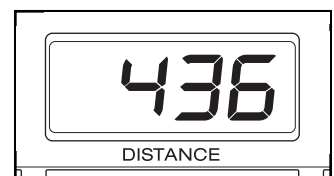
**The Speed display**—This display will show your pedaling speed, in revolutions per minute.



**The Time display**—If no time goal was set, this display will show the elapsed time. If a time goal was set, the display will show the time remaining in your workout. Note: When a program is selected (except for the first heart rate program), the display will show the time remaining in the program.

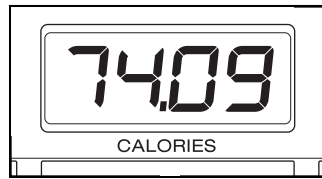


**The Distance display**—If no distance goal was set, this display will show the distance that you have pedaled, in total revolutions. If a distance goal was set, the display will show the distance still to be pedaled during your workout.

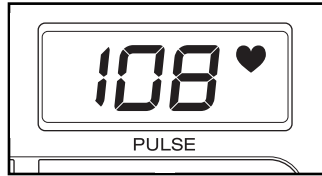




**The Calories display**—If no calorie goal was set, this display will show the approximate number of calories you have burned. If a calories goal was set, the display will show the number of calories still to be burned during your workout.



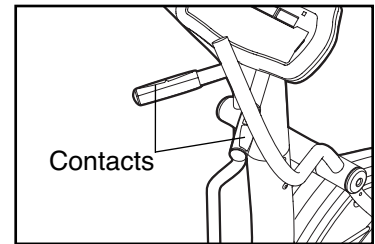
**The Pulse display**—This display will show your heart rate when you use the handgrip pulse sensor or the chest pulse sensor (see step 6 below).



Note: You can select any of three backlight modes for the displays. The "On" mode keeps the backlight on while the console is on. The "Off" mode turns the backlight off. The "Auto" mode keeps the backlight on only while you are exercising. To change the backlight mode, first hold down the Start button for a few seconds. The current backlight mode will appear in the Calories display. Next, press the One-touch Resistance 1 button to change the backlight mode. Then, press the Start button.



If there are sheets of clear plastic on the metal contacts on the handgrip pulse sensor, peel off the plastic.



Place your hands on the handgrip pulse sensor, with your palms on the contacts. **Avoid moving your hands.** When your pulse is detected, one or two dashes will appear in the Pulse display and then your heart rate will be shown.

For the most accurate heart rate reading, continue to hold the handgrips for about 30 seconds.

If your heart rate is not shown, make sure that your hands are positioned as described. Avoid moving your hands excessively or squeezing the metal contacts too tightly. For optimal performance, periodically clean the metal contacts using a soft cloth; **never use alcohol, abrasives, or chemicals.**

**7. When you are finished exercising, the console will automatically turn off.**

If the pedals are not moved for a few seconds, a series of tones will sound, the Time display will begin to flash, and the console will pause.

If the pedals are not moved for a few minutes, the console will turn off and the displays will be reset.

**6. Measure your heart rate if desired.**

To use the chest pulse sensor, see page 10. To use the handgrip pulse sensor, follow the instructions below. **Note: If you wear the chest pulse sensor and hold the handgrip pulse sensor at the same time, the console will not display your heart rate accurately.**

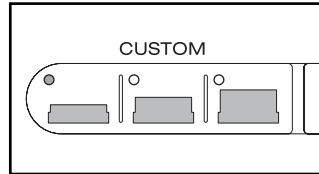
## HOW TO CREATE AND USE A CUSTOM PROGRAM

### 1. Turn on the console.

See step 1 on page 16.

### 2. Select a custom program.

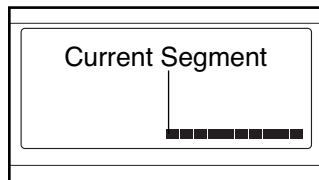
To select a custom program, press one of the three Custom buttons. When a Custom button is pressed, the indicator on the button will light.



**Note: If the custom program has not yet been defined, see step 3 to create the program. If the program is already defined, see step 4 to use the program.**

### 3. Press the Start button or begin pedaling to start the program.

Refer to the matrix. Each custom program is divided into 40 one-minute segments. One resistance setting and one pace setting can be programmed for each segment. The resistance setting for the first segment will be shown in the flashing Current Segment column of the matrix. (The pace settings are not shown in the matrix.) To program a resistance setting and a pace setting for the first segment, simply adjust the resistance of the pedals as desired by pressing the One-touch Resistance buttons and pedal at the desired pace.



When the first segment of the program ends, a series of tones will sound and the current resistance setting and the current pace setting will be saved in memory. *The columns of indicators will then move one column to the left*, and the resistance setting for the second segment will be shown in the flashing Current Segment column. Program a resistance setting and a pace setting for the second segment as described above.

Continue programming resistance and pace settings for as many segments as desired; custom programs can have up to 40 segments.

### 4. Press the Start button or begin pedaling to start the program.

The custom program will function in almost the same way as a preset program (see steps 3 and 4 on page 19).

If desired, you can redefine the program while using it. **To change the resistance or pace setting for the current segment**, simply press the One-touch Resistance buttons or change your pedaling pace. When the current segment ends, the new setting will be saved in memory.

### 5. Monitor your progress with the displays.

See step 5 on page 16.

### 6. Measure your heart rate if desired.

See step 6 on page 17.

### 7. When you are finished exercising, the console will automatically turn off.

See step 7 on page 17.

## HOW TO USE A PRESET PROGRAM

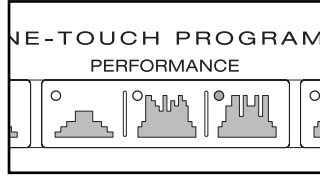
### 1. Turn on the console.

See step 1 on page 16.

### 2. Select a preset program.

To select a preset program, press one of the Aerobic, Performance, or Endurance buttons.

When an Aerobic, Performance, or Endurance button is pressed, the indicator on the button will light. When a preset program is selected, a profile of the first several resistance settings of the program will appear in the matrix, the program time will appear in the Time display, the maximum resistance setting of the program will flash in the Resistance display, and the maximum speed setting of the program will flash in the Speed display for a few seconds.



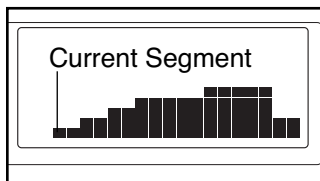
### 3. Press the Start button or begin pedaling to start the program.

Each program is divided into either 20 or 30 one-minute segments. One resistance setting and one pace setting are programmed for each segment. Note: The same resistance setting and/or target pace may be programmed for two or more consecutive segments.

When you start the program, the resistance setting for the first segment will be shown in the flashing Current Segment column of

the matrix. The resistance settings for the next several segments will be shown in the columns to the right.

When only three seconds remain in the first segment of the program, both the Current Segment column and the column to the right will flash, a series of tones will sound, and the time will flash in the Time display. When the first segment ends, *all*

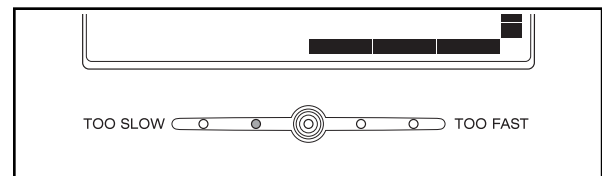


resistance settings will move one column to the left. The resistance setting for the second segment will then be shown in the flashing Current Segment column and the resistance of the pedals will automatically change to the resistance setting for the second segment.

The program will continue until no time remains in the Time display.

### 4. Use the pace guide to pace your exercise.

Throughout the program, the pace guide will prompt you to increase or decrease your pedaling pace. When one of the "Too Slow" indicators lights, increase your pace; when one of the "Too Fast" indicators lights, decrease your pace. When the center indicator lights, maintain your current pace.



**IMPORTANT: The pace guide is intended only to provide a goal. Make sure to pedal at a pace that is comfortable for you.**

If you stop pedaling for several seconds, a tone will sound and the program will pause. To restart the program, simply resume pedaling.

### 5. Monitor your progress with the displays.

See step 5 on page 16.

### 6. Measure your heart rate if desired.

See step 6 on page 17.

### 7. When you are finished exercising, the console will automatically turn off.

See step 7 on page 17.

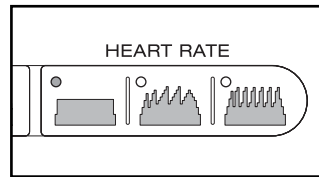
## HOW TO USE A HEART RATE PROGRAM

### 1. Turn on the console.

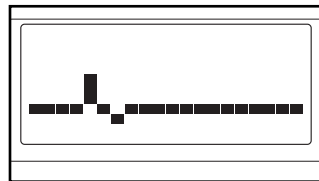
See step 1 on page 16.

### 2. Select a heart rate program.

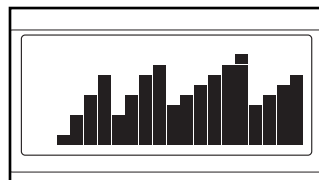
To select a heart rate program, press one of the three Heart Rate buttons. When a Heart Rate button is pressed, the indicator on the button will light.



**If the first heart rate program is selected,** a pulse symbol will appear in the matrix.



**If the second or third heart rate program is selected,** a profile of the first several target heart rate settings of the program will appear in the matrix.



### 3. Enter a target heart rate setting.

**If the first heart rate program is selected,** the target heart rate setting for the program will flash in the Pulse display. If desired, press the increase and decrease buttons below the Pulse display to change the target heart rate setting (**see EXERCISE INTENSITY on page 23**). Note: The same target heart rate setting will be programmed for all segments.

**If the second or third heart rate program is selected,** the maximum target heart rate setting of the program will flash in the Pulse display. If desired, press the increase and decrease buttons below the Pulse display to change the maximum target heart rate setting (**see EXERCISE INTENSITY on page 23**). Note: If the maximum target heart rate setting is changed, the intensity level of the entire program will change.

### 4. Put on the chest pulse sensor or hold the handgrip pulse sensor.

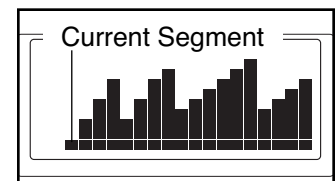
To use a heart rate program, you must wear the chest pulse sensor or use the handgrip pulse sensor. If you use the handgrip pulse sensor, it is not necessary to hold the handgrips continuously during the program; however, you should hold the handgrips frequently for the program to operate properly. **Each time you hold the handgrips, keep your hands on the metal contacts for at least 30 seconds.** Note: When you are not holding the handgrips, the letters "PLS" will flash in the Pulse display instead of your heart rate.

### 5. Press the Start button to start the program.

**The first heart rate program**—This program is divided into 100 one-minute segments. The same target heart rate setting is programmed for all segments. Note: For a shorter workout, stop exercising or select a different program before the program ends.

**The second and third heart rate programs**—These programs are divided into 30 one-minute segments. One target heart rate setting is programmed for each segment. Note: The same target heart rate setting may be programmed for two or more consecutive segments.

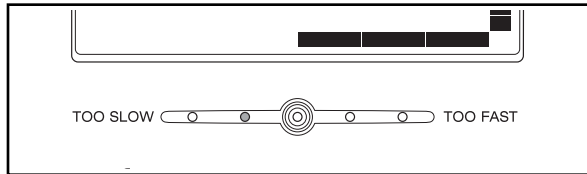
The target heart rate setting for the first segment will be shown in the flashing Current Segment column of the matrix. The target heart rate settings for the next several segments will be shown in the columns to the right.



When only three seconds remain in the first segment of the program, both the Current Segment column and the column to the right will flash, a series of tones will sound, and *all target heart rate settings will move one column to the left*. The target heart rate setting for the second segment will then be shown in the flashing Current Segment column.

**Both heart rate programs**—As you pedal, the console will regularly compare your heart rate to the target heart rate setting. If your heart rate is too far below or above the target heart rate setting, the resistance of the pedals will automatically increase or decrease to bring your heart rate closer to the target heart rate setting.

After the first segment ends, the pace guide will prompt you to maintain a constant pedaling pace. When one of the “Too Slow” indicators lights, increase your pace; when one of the “Too Fast” indicators lights, decrease your pace. When the center indicator lights, maintain your current pace.



**IMPORTANT:** The target heart rate settings are intended only to provide motivation. Make sure to exercise at a pace that is comfortable for you.

Note: During the program, you can manually override the resistance setting for the current segment, if desired, with the One-touch Resistance buttons. However, when the console compares your heart rate to the target heart rate setting, the resistance of the pedals may automatically increase or decrease to bring your heart rate closer to the target heart rate setting.

If you stop pedaling for several seconds, a tone will sound and the program will pause. To restart the program, simply resume pedaling.

**6. Monitor your progress with the displays.**

See step 5 on page 16.

**7. When the program is finished, the console will automatically turn off.**

See step 7 on page 17.

# MAINTENANCE AND TROUBLESHOOTING

Most problems can be solved by following the simple steps below. Find the symptom that applies, and follow the steps listed. If further assistance is needed, please see the front cover of this manual.

## WEEKLY MAINTENANCE

Inspect and properly tighten all external parts of the elliptical exerciser. Clean the elliptical exerciser with a small amount of mild multi-purpose cleaner applied to a 100% cotton cloth. When cleaning the elliptical exerciser, pay special attention to the track and the wheels. Remove all debris from the track. Clean the pedal covers with a soft nylon brush. **Do not use acidic cleaners. Never spray any cleaner directly onto the elliptical exerciser.**

## TROUBLESHOOTING

### 1. SYMPTOM: THE ELLIPTICAL EXERCISER IS NOT LEVEL

If the elliptical exerciser rocks slightly during use, see HOW TO MOVE AND LEVEL THE ELLIPTICAL EXERCISER on page 14.

### 2. SYMPTOM: THE PULSE SENSOR DOES NOT FUNCTION PROPERLY

If the chest pulse sensor does not function properly, see CHEST PULSE SENSOR TROUBLESHOOTING on pages 12 and 13.

If the handgrip pulse sensor does not function properly, see step 6 on page 17.

### 3. SYMPTOM: THE PEDAL DISCS RUB AGAINST THE SIDE SHIELDS

If a pedal disc rubs against a side shield, loosen the side shield mounting screws and move the side shield slightly until the pedal disc stops rubbing. Then, retighten the side shield mounting screws.

### 4. SYMPTOM: THE PEDAL WHEELS SQUEAK

If the pedal wheels squeak, use a 100% cotton cloth to remove debris from the track and the wheels. If the pedal wheels continue to squeak, apply a light coat of silicone-based lubricant to the track.

### 5. SYMPTOM: THE CONSOLE TURNS OFF AS SOON AS YOU STOP PEDALING

If the console turns off as soon as you stop pedaling, the battery pack may not be charged. The longer you pedal, the longer the battery pack will retain a charge. It may be necessary to pedal for a few minutes to charge the battery pack each time you exercise. If the console turns off as soon as you stop pedaling, even after you have pedaled for several minutes, call the telephone number on the front cover of this manual immediately.

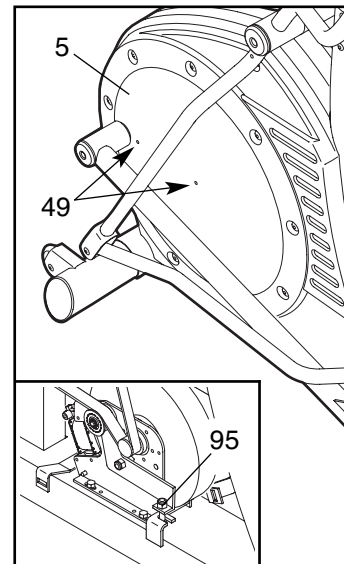
### 6. SYMPTOM: THE PEDALS SLIP DURING USE

If the pedals slip during use, the drive belt is slipping. Follow the instructions below to adjust the tension of the drive belt.

First, remove the two M6 x 16mm Button Screws (49) attaching the left Pedal Disc (5). Without removing the Pedal Disc, pivot it out of the way.

Next, locate the M10 Flange Nut (95). Turn the Flange Nut clockwise until the pedals no longer slip during the power stroke.

Reattach the Pedal Disc (5).



# EXERCISE GUIDELINES

**⚠ WARNING:** Before beginning this or any exercise program, consult your physician. This is especially important for persons over the age of 35 or persons with pre-existing health problems.

The pulse sensor is not a medical device. Various factors may affect the accuracy of heart rate readings. The pulse sensor is intended only as an exercise aid in determining heart rate trends in general.

These guidelines will help you to plan your exercise program. For detailed exercise information, obtain a reputable book or consult your physician. Remember, proper nutrition and adequate rest are essential for successful results.

## EXERCISE INTENSITY

Whether your goal is to burn fat or to strengthen your cardiovascular system, exercising at the proper intensity is the key to achieving results. You can use your heart rate as a guide to find the proper intensity level. The chart below shows recommended heart rates for fat burning and aerobic exercise.

165	155	145	140	130	125	115	♥♥
145	138	130	125	118	110	103	♥
125	120	115	110	105	95	90	♥
<hr/>							
20	30	40	50	60	70	80	

To find the proper intensity level, find your age at the bottom of the chart (ages are rounded off to the nearest ten years). The three numbers listed above your age define your “training zone.” The lowest number is the heart rate for fat burning, the middle number is the heart rate for maximum fat burning, and the highest number is the heart rate for aerobic exercise.

**Burning Fat**—To burn fat effectively, you must exercise at a low intensity level for a sustained period of time. During the first few minutes of exercise, your body uses *carbohydrate calories* for energy. Only after the first few minutes of exercise does your body begin to use stored *fat calories* for energy. If your goal is to burn fat, adjust the intensity of your exercise until your heart rate is near the lowest number in your training zone. For maximum fat burning, exercise with your heart rate near the middle number in your training zone.

**Aerobic Exercise**—If your goal is to strengthen your cardiovascular system, you must perform aerobic exercise, which is activity that requires large amounts of oxygen for prolonged periods of time. For aerobic exercise, adjust the intensity of your exercise until your heart rate is near the highest number in your training zone.

## WORKOUT GUIDELINES

**Warming up**—Start with 5 to 10 minutes of stretching and light exercise. A warm-up increases your body temperature, heart rate, and circulation in preparation for exercise.

**Training Zone Exercise**—Exercise for 20 to 30 minutes with your heart rate in your training zone. (During the first few weeks of your exercise program, do not keep your heart rate in your training zone for longer than 20 minutes.) Breathe regularly and deeply as you exercise—never hold your breath.

**Cooling down**—Finish with 5 to 10 minutes of stretching. Stretching increases the flexibility of your muscles and helps to prevent post-exercise problems.

## EXERCISE FREQUENCY

To maintain or improve your condition, complete three workouts each week, with at least one day of rest between workouts. After a few months of regular exercise, you may complete up to five workouts each week, if desired. Remember, the key to success is to make exercise a regular and enjoyable part of your everyday life.

# PART LIST—Model No. NTEL4255.0

R0208A

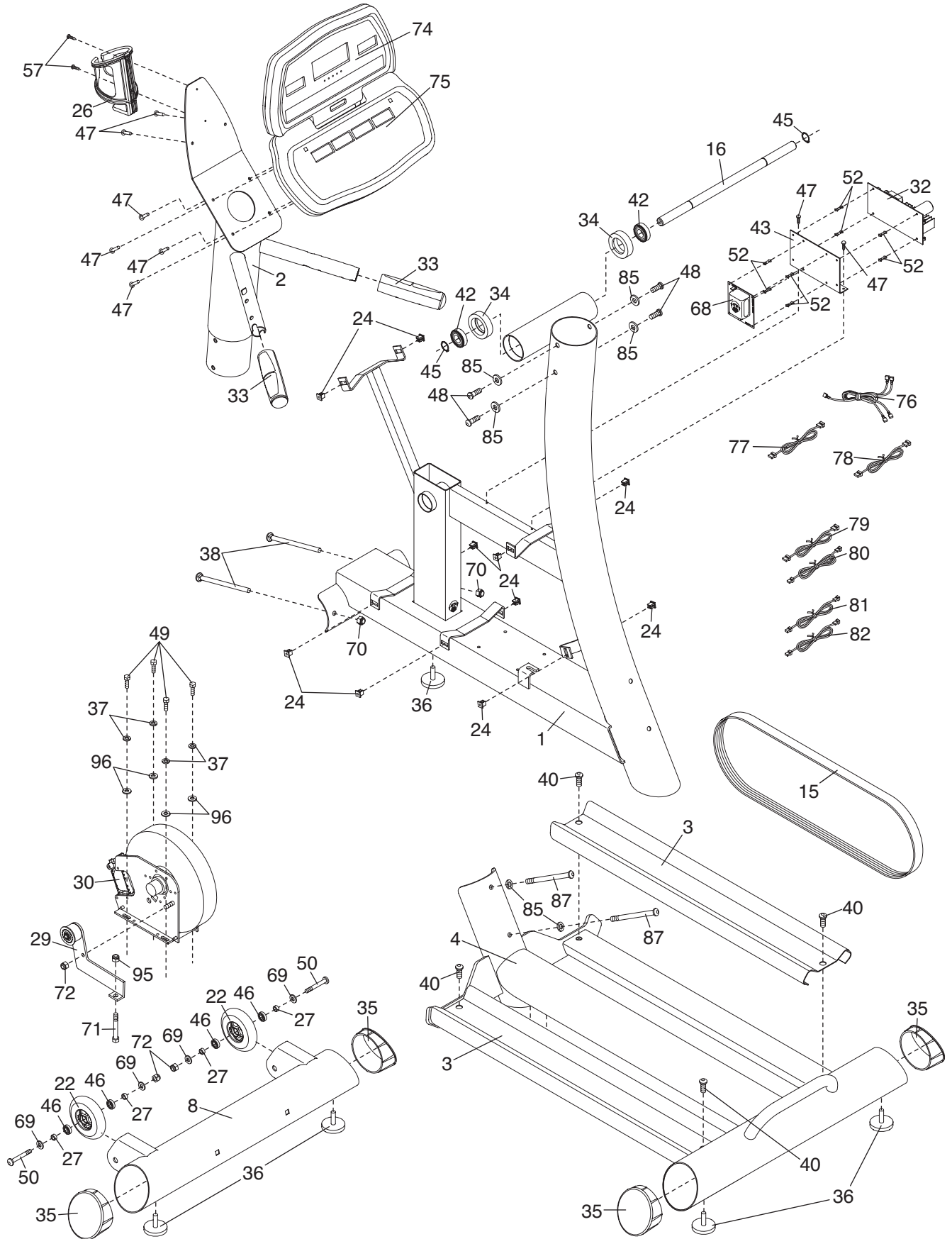
Key No.	Qty.	Description	Key No.	Qty.	Description
1	1	Frame	51	4	Crank Screw
2	1	Upright	52	8	Stand Off
3	2	Track	53	2	M6 x 12mm Button Screw
4	1	Track Frame	54	14	M10 x 13mm Button Screw
5	2	Pedal Disc	55	4	7mm Spacer
6	1	Left Side Shield	56	4	M8 x 19mm Button Screw
7	1	Right Side Shield	57	2	M4 x 19mm Screw
8	1	Stabilizer	58	4	M8 x 38mm Button Bolt
9	1	Crank	59	20	M5 x 16mm Screw
10	1	Crank Spacer	60	4	16mm Spacer
11	1	Right Track Arm	61	2	M8 x 48mm Bolt
12	1	Left Track Arm	62	2	3mm Spacer
13	1	Right Pedal Leg	63	8	Pedal Bushing
14	1	Left Pedal Leg	64	4	Long Side Shield Spacer
15	1	Drive Belt	65	2	Key
16	1	Handlebar Axle	66	4	Thrust Washer
17	2	Handlebar Leg	67	14	M10 Washer
18	4	M8 Small Washer	68	1	Battery Pack
19	1	Left Handlebar	69	12	M8 Washer
20	1	Right Handlebar	70	2	M10 Nylon Locknut
21	2	Pedal	71	1	Tension Bolt
22	2	Transport Wheel	72	15	M8 Nylon Locknut
23	2	Handlebar Foam	73	1	Short Side Shield Spacer
24	10	Plastic Insert	74	1	Display Console
25	1	Pulley	75	1	Control Console
26	1	Water Bottle Holder	76	1	Pulse Jumper Wire
27	4	6mm Spacer	77	1	Upper Wire Harness
28	2	Set Screw	78	1	Lower Wire Harness
29	1	Idler	79	1	Controller Wire Harness
30	1	Generator	80	1	Ground Wire
31	4	Wheel	81	1	Generator Coil Wire
32	1	Control Board	82	1	Electromagnet Wire
33	2	Pulse Grip	83	1	Left Crank Arm
34	10	Bearing Cradle	84	1	Right Crank Arm
35	4	Endcap	85	20	M10 Split Washer
36	5	Leveling Foot	86	4	M8 Split Washer
37	4	M6 Split Washer	87	2	M10 x 123mm Button Screw
38	2	M10 x 116mm Carriage Bolt	88	4	Wave Washer
39	2	Handlebar Cap	89	3	Weld Spacer
40	4	Ramp Screw	90	4	Small Bearing Cradle
41	4	Axle Cap	91	12	Small Bearing
42	12	Bearing	92	2	M8 x 55mm Bolt Set
43	1	Controller Bracket	93	2	Wheel Bolt
44	1	Short Crank Spacer	94	2	M10 x 65mm Bolt Set
45	2	Snap Ring	95	1	M10 Flange Nut
46	4	Wheel Bushing	96	4	M6 Washer
47	8	M4 x 16mm Screw	*	—	User's Manual
48	4	M10 x 25mm Patch Screw	*	—	Hex Key
49	8	M6 x 16mm Button Screw	*	—	Grease Packet
50	2	M8 x 56mm Button Screw			

Note: Specifications are subject to change without notice. See the back cover of this manual for information about ordering replacement parts. \*These parts are not illustrated.



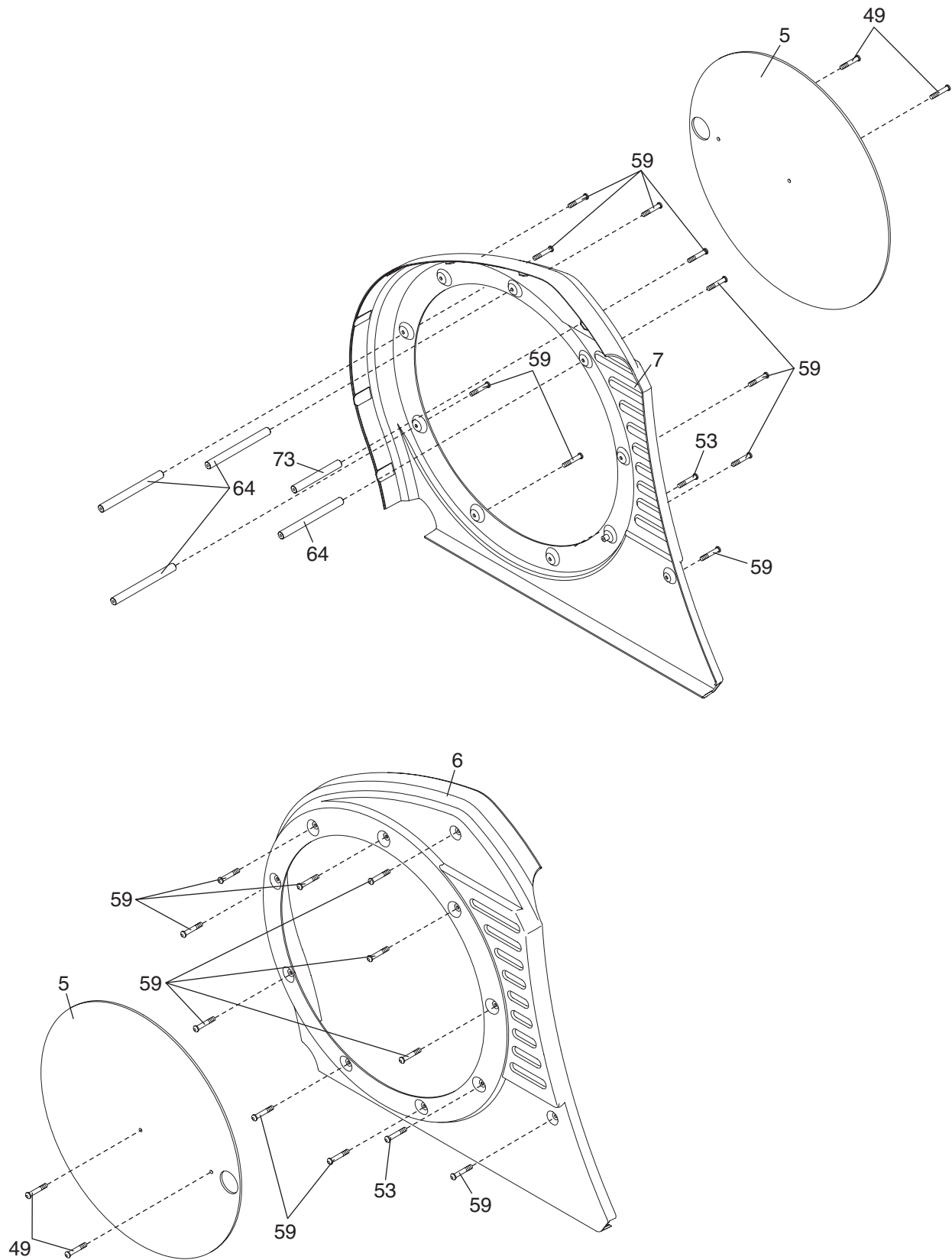
# EXPLODED DRAWING A—Model No. NTEL4255.0

R0208A



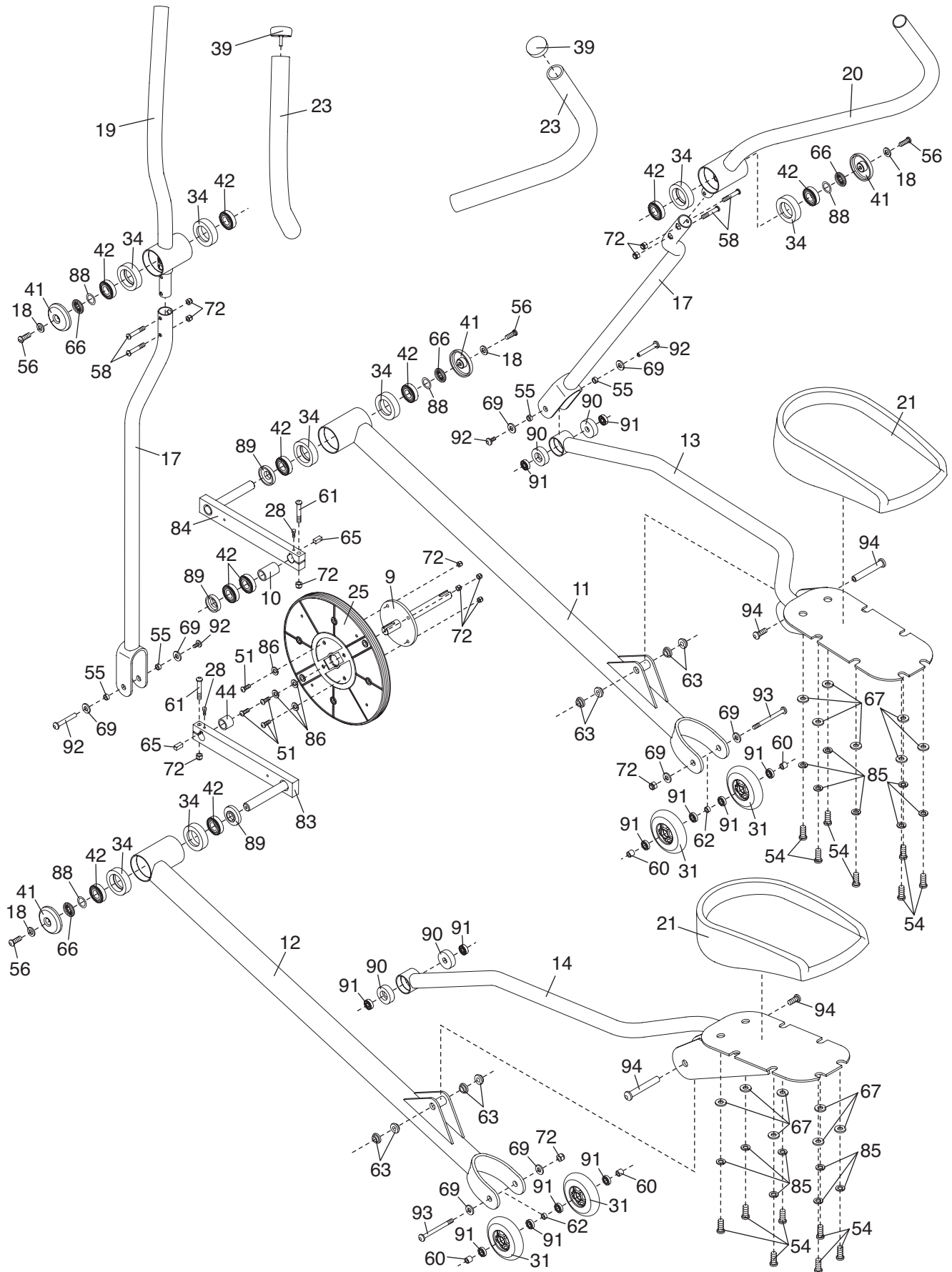
# EXPLODED DRAWING B—Model No. NTEL4255.0

R0208A



# EXPLODED DRAWING C—Model No. NTEL4255.0

R0208A



---

# ORDERING REPLACEMENT PARTS

To order replacement parts, please see the front cover of this manual. To help us assist you, be prepared to provide the following information when contacting us:

- the model number and serial number of the product (see the front cover of this manual)
- the name of the product (see the front cover of this manual)
- the key number and description of the replacement part(s) (see the PART LIST and the EXPLODED DRAWING near the end of this manual)

## LIMITED WARRANTY

ICON Health & Fitness, Inc. (ICON) warrants this product to be free from defects in workmanship and material, under normal use and service conditions, for a period of one (1) year from the date of purchase. This warranty extends only to the original purchaser. ICON's obligation under this warranty is limited to replacing or repairing, at ICON's option, the product through one of its authorized service centers. All repairs for which warranty claims are made must be pre-authorized by ICON. If the product is shipped to a service center, freight charges to and from the service center will be the customer's responsibility. For in-home service, the customer will be responsible for a minimal trip charge. This warranty does not extend to any product or damage to a product caused by or attributable to freight damage, abuse, misuse, improper or abnormal usage or repairs not provided by an ICON authorized service center; products used for commercial or rental purposes; or products used as store display models. No other warranty beyond that specifically set forth above is authorized by ICON.

ICON is not responsible or liable for indirect, special or consequential damages arising out of or in connection with the use or performance of the product or damages with respect to any economic loss, loss of property, loss of revenues or profits, loss of enjoyment or use, costs of removal or installation or other consequential damages of whatsoever nature. Some states do not allow the exclusion or limitation of incidental or consequential damages. Accordingly, the above limitation may not apply to you.

The warranty extended hereunder is in lieu of any and all other warranties and any implied warranties of merchantability or fitness for a particular purpose is limited in its scope and duration to the terms set forth herein. Some states do not allow limitations on how long an implied warranty lasts. Accordingly, the above limitation may not apply to you.

This warranty gives you specific legal rights. You may also have other rights which vary from state to state.

**ICON HEALTH & FITNESS, INC., 1500 S. 1000 W., LOGAN, UT 84321-9813**

## Free Manuals Download Website

<http://myh66.com>

<http://usermanuals.us>

<http://www.somanuals.com>

<http://www.4manuals.cc>

<http://www.manual-lib.com>

<http://www.404manual.com>

<http://www.luxmanual.com>

<http://aubethermostatmanual.com>

Golf course search by state

<http://golfingnear.com>

Email search by domain

<http://emailbydomain.com>

Auto manuals search

<http://auto.somanuals.com>

TV manuals search

<http://tv.somanuals.com>