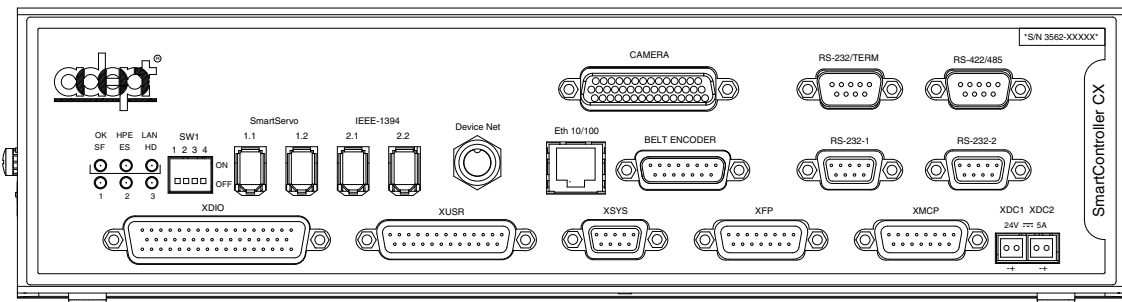
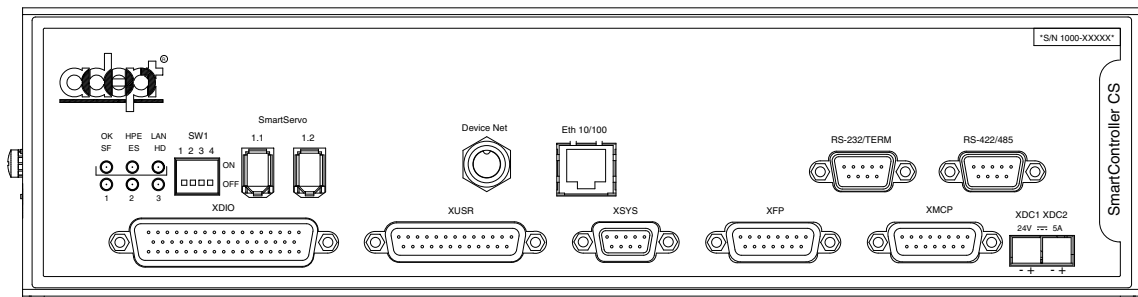


Adept SmartController

User's Guide

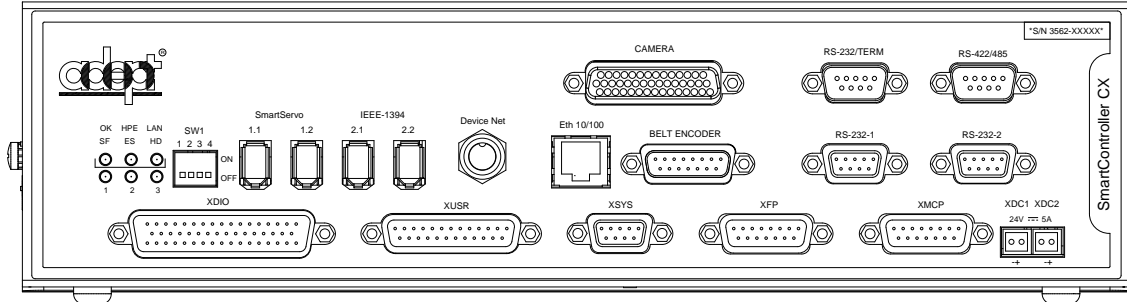
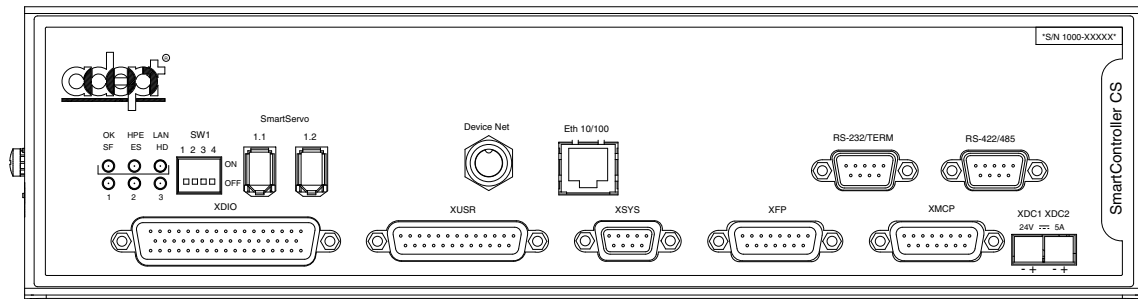
Covers the SmartController CS, SmartController CX, and sDIO Module



Adept SmartController

User's Guide

Covers the SmartController CS, SmartContoller CX, and sDIO Module



P/N: 00356-00100, Rev. E
May 2003



3011 Triad Drive • Livermore, CA 94550 • USA • Phone 925.245.3400 • Fax 925.960.0452

Otto-Hahn-Strasse 23 • 44227 Dortmund • Germany • Phone 49.231.75.89.40 • Fax 49.231.75.89.450

41, rue du Saule Trapu • 91300 • Massy • France • Phone 33.1.69.19.16.16 • Fax 33.1.69.32.04.62

The information contained herein is the property of Adept Technology, Inc., and shall not be reproduced in whole or in part without prior written approval of Adept Technology, Inc. The information herein is subject to change without notice and should not be construed as a commitment by Adept Technology, Inc. This manual is periodically reviewed and revised.

Adept Technology, Inc., assumes no responsibility for any errors or omissions in this document. Critical evaluation of this manual by the user is welcomed. Your comments assist us in preparation of future documentation. Please email your comments to: techpubs@adept.com.

Copyright ©2003 by Adept Technology, Inc. All rights reserved.

The Adept logo, CHAD, the CHAD logo, and Soft Machines
are registered trademarks of Adept Technology, Inc.

ActiveV, Adept, Adept 1060, Adept 1060+, Adept 1850, Adept 1850 XP, Adept 540, Adept 560, Adept C40, Adept C60, Adept CC, Adept CHADIQ, Adept CHADIQh, Adept CHADIQt, Adept Cobra 550, Adept Cobra 550 CleanRoom, Adept Cobra 600, Adept Cobra 800, Adept DeskTop, Adept Digital Workcell, Adept FFE, Adept FlexFeeder 250, Adept IC, Adept Impulse Feeder, Adept LineVision, Adept MC, Adept MV, Adept MV-10, Adept MV-19, Adept MV4, Adept MV-5, Adept MV-8, Adept NanoBonder EBS, Adept NanoBonder LWS, Adept NanoCell, Adept NanoStage L1P2, Adept NanoStage L3, Adept NanoStage L3P2, Adept OC, Adept SmartAmp, Adept SmartAxis, Adept SmartController CS, Adept SmartController CX, Adept SmartModule, Adept SMIF-EZ, AdeptAlign 650, AdeptAtlas, AdeptCartesian, AdeptForce, AdeptFTP, AdeptGEM, AdeptModules, AdeptMotion, AdeptMotion Servo, AdeptMotion VME, AdeptNet, AdeptNFS, AdeptOne, AdeptOne-MV, AdeptOne-XL, AdeptRAPID, AdeptSix 300, AdeptSix 300CL, AdeptTCP/IP, AdeptThree, AdeptThree-MV, AdeptThree-XL, AdeptTwo, AdeptVicron, AdeptVicron 300S, AdeptVicron 310D, AdeptVision, AdeptVision AVI, AdeptVision AGS, AdeptVision GV, AdeptVision I, AdeptVision II, AdeptVision VME, AdeptVision VXL, AdeptVision XGS, AdeptVision XGS II, AdeptWindows, AdeptWindows Controller, AdeptWindows DDE, AdeptWindows Offline Editor, AdeptWindows PC, AIM, AIM Command Server, AIM Dispense, AIM PCB, AIM VisionWare, A-Series, AutoCal, AutoTune, AutoWidth, CCM, CCMII, CGM, CHAD ACM, CHAD ACT, CHAD AF, CHAD AutoCinchMaster, CHAD BLT, CHAD CH, CHAD ClinchMaster, CHAD ClinchMaster II, CHAD CS, CHAD CSII, CHAD ECA, CHAD GuideMaster, CHAD HT, CHAD LGM, CHAD LLG, CHAD MGE, CHAD MixTech, CHAD MTM, CHAD OFM, CHAD PIE, CHAD QCB, CHAD RC, CHAD SGE, CHAD TM, CHAD VT, CimStation, CimStation Robotics, FlexFeedWare, HexSight, HyperDrive, Microenvironment, MicroV+, MotionWare, ObjectFinder, ObjectFinder 2000, PackOne, PalletWare, Production PILOT, SILMA CellFLEX, SILMA CellPRO, SILMA PaintPRO, SILMA PressPRO, SILMA SpotPRO, SMIF-C, SMIF-EZX, SMIF-Z, SMIF-ZX, SoftAssembly, S-Series, UltraOne, V, V+, and VisionTeach are trademarks of Adept Technology, Inc.

Any trademarks from other companies used in this publication
are the property of those respective companies.

Printed in the United States of America

Table of Contents

1	Introduction	15
1.1	Product Description	15
	Adept SmartController CS	15
	Adept SmartController CX	15
	sDIO Expansion Module	15
1.2	How Can I Get Help?	16
	Related Manuals	16
	Adept Document Library	16
1.3	Warnings, Cautions, and Notes	17
1.4	Safety	17
	Reading and Training for Users and Operators	17
	System Safeguards	18
	Safety Features on the Front Panel	18
	Computer Controlled Robots and Motion Devices	18
	Manually Controlled Robots and Motion Devices	19
	Other Computer-Controlled Devices	19
	Program Security	19
	Inappropriate Uses of the Adept SmartController	20
1.5	Standards Compliance	20
1.6	CAT-3 Version of SmartController	21
	Identification	21
	Functionality Changes	21
	MCP Enable Switch Not Functional in Auto Mode	21
	High Power Indication on XDIO Connector	21
	E-Stop Circuit	21
	Operational Change in SmartModule Systems	22
2	SmartController Installation	23
2.1	Controller Installation	23
	Before Unpacking	23
	Upon Unpacking	23
	Repacking for Relocation	24
	Space Around the Chassis	24
	Mounting the SmartController	24
	Rack Mounting the SmartController	25
	Panel Mounting the SmartController	26
	Table Mounting the SmartController	27
	Stacking Components	28
	CompactFlash Memory Card	28

Installing CompactFlash	29
Connecting Power	30
24VDC Power Specifications	30
24VDC Power Cabling	31
Daisy-Chaining Power	31
Grounding	31
Installing 24VDC Connectors	32
IEEE 1394 Cable Specifications	33
2.2 System Cable Installation	34
3 SmartController Operation	37
3.1 SmartController CS Connectors and Indicators	37
3.2 SmartController CX Connectors and Indicators	40
3.3 Front Panel	41
3.4 Configuring the Controller.	42
Factory Default Settings	42
DIP-Switch Settings	42
AdeptWindows PC Graphical User Interface	43
ASCII Terminal	43
AUTO Boot	44
3.5 SmartController Serial I/O Connectors	44
RS-232 Connectors	44
RS-422/485 Connector	45
3.6 Installing the User Interface	46
Graphical Interface Using AdeptWindows	46
Text Interface Using a PC with HyperTerminal Software	47
Installation Procedure	47
Text Interface Using a Terminal	48
Recommended Terminal for Text-Based Systems	48
Installation Procedure	48
3.7 Connecting Customer-Supplied Safety and Power Control Equipment	49
Connecting Equipment to the System	49
Emergency Stop Circuits	54
User E-Stop Indication - Remote Sensing of E-Stop	55
Line E-Stop Input	55
Muted Safety Gate E-Stop Circuitry	55
Remote Manual Mode	56
User Manual/Auto Indication	56
User High Power On Indication	56
Remote High Power On/Off Control	57
High Power On/Off Lamp	57
Remote Front Panel Usage	57
Remote MCP Usage	58
3.8 Connecting Customer-Supplied Digital I/O Equipment.	58

XDIO Connector.	59
Input Signals.	59
REACT Input Signals 1001 to 1012	60
Fast Input Signals 1001 to 1004	60
Output Signals	61
Digital I/O Connector Ordering Details (Third-Party Sources).	64
AMP Part Numbers for 50-Pin Male D-Sub	64
Thomas and Betts Part Numbers for 50-Pin Male D-Sub	64
Screw-Terminal Field-Wiring Adapter Blocks	64
Phoenix Contact Inc.	64
Weidmüller	64
3.9 Belt Encoder Interface on SmartController CX.	65
4 AdeptVision sAVI Option	67
4.1 Introduction	67
sAVI Board Features	67
sAVI Board System Requirements and Restrictions.	67
Pixel Format.	68
AdeptVision sAVI Inspection System Limitations	68
4.2 Camera Compatibility	68
Guidelines for Cameras.	68
Cameras Supported	69
Standard Resolution Cameras	69
High Resolution Cameras.	69
Downloading Camera Information	69
4.3 Camera Cables	70
Two-Camera Breakout Cable for RS-170 Cameras	70
Four-Camera Breakout Cable for RS-170 Cameras	71
10-Meter Camera Extension Cables	71
4.4 Installing Camera Cables	72
Connecting the Cables to the RS-170 Standard Camera	72
4.5 Camera Cable Pin and Signal Information	74
4.6 sAVI Board Specifications	83
5 SmartController Maintenance	85
5.1 Changing the Lamp in the High Power Indicator.	85
6 Technical Specifications	87
6.1 SmartController Dimensions.	87
6.2 sDIO Dimensions	88
6.3 Adept Front Panel Dimensions.	89
6.4 Adept MCP Dimensions	91

A	sDIO Module	93
	A.1 Mounting the sDIO	93
	Rack Mounting the sDIO	94
	Panel Mounting the sDIO	95
	Table Mounting the sDIO	96
	Stack Mounting	96
	A.2 Installing the sDIO	96
	A.3 Configuring a Single sDIO	97
	Default sDIO I/O Configuration	97
	Modifying the Default sDIO Configuration	98
	Assigning sDIO Signal Blocks	98
	Assigning I/O Signal Numbers	99
	sDIO Signal Mapping Example 1	101
	sDIO Signal Mapping Example 2	101
	A.4 Using Multiple sDIO Modules	102
	Configuring a System with an sDIO and a RIO	103
	A.5 sDIO Module Connectors and Indicators	103
	A.6 sDIO Digital I/O Signals	104
	sDIO Inputs	104
	sDIO Outputs	106
	Testing sDIO Outputs	106
	sDIO LEDs	106
	sDIO Output Power Supply Current Selection	107
	Optional DIO Cables	110
	Labeling Cables	110
	Input and Output Cable Wiring Information	111
B	Adept DeviceNet	115
	B.1 DeviceNet Specifications	115
	Volume 1	115
	Volume 2	115
	B.2 Limitations of the Adept DeviceNet Scanner	116
	B.3 Adept Supplied DeviceNet Hardware	116
	Connecting DeviceNet Hardware to the Adept DeviceNet Scanner	117
	B.4 DeviceNet Physical Layer and Media	117
	DeviceNet Connectors	121
	Termination of the DeviceNet Network	121
	Power Supply and the DeviceNet Bus	122
	Power Capabilities of a DeviceNet Cable System	122

C	Using the Manual Control Pendant (MCP)	125
C.1	Manual Control Pendant Basics	125
	MCP Enable Switch Function on CAT-3 SmartController	125
	MCP III	125
	MCP-4	126
	3-Position Enable Switch	126
	MCP-4 Compatibility	127
	Connecting the MCP	129
	MCP Layout	130
	Soft Buttons	130
	Function Buttons	130
	Data Entry Buttons	131
	Mode Control and Joint/Axis Control Buttons	131
	Speed Bars and Slow Button	131
	Emergency Stop From the MCP	131
	Re-Enabling Power After Enable Switch Released	132
	In Automatic Mode	132
	In Manual Mode	132
	Background Mode	133
C.2	MCP Predefined Functions	133
	Introduction	133
	Predefined Function Buttons	133
	The Edit Function	134
	The Display Function	135
	The Clear Error Function	137
	The CMD Function	137
	Prog Set Function	139
C.3	Moving a Robot or Motion Device With the MCP	140
	Introduction	140
	Mode Control Buttons	140
	Emergency Stop Switch	141
	COMP/PWR Button	141
	MAN/HALT Button	141
	DIS PWR Button	142
	RUN/HOLD	142
	Joint/Axis Control Buttons	142
	STEP Button	142
	Speed Bars	142
	In World, Tool, and Joint Mode	142
	In Comp Mode	143
	Slow Button	143
	Robot States	143
	World State	143
	Tool State	144
	Joint State	147
	Free State	148

Controlling More Than One Robot	149
Robots With Fewer Than Six Joints	150
Robots With More Than Six Joints	150
Index	151

List of Figures

Figure 2-1.	Rack Mounting the SmartController	25
Figure 2-2.	Panel Mounting the SmartController	26
Figure 2-3.	Table Mounting the SmartController	27
Figure 2-4.	Stack Mounting the SmartController and sDIO	28
Figure 2-5.	CompactFlash Memory Card Compartment	29
Figure 2-6.	User Supplied Power Cable	31
Figure 2-7.	Chassis Grounding Point	32
Figure 2-8.	24V Connectors	33
Figure 2-9.	System Cable Diagram	34
Figure 3-1.	SmartController CS	37
Figure 3-2.	SmartController CX	40
Figure 3-3.	Front Panel	41
Figure 3-4.	CAT-3 E-Stop Circuit on XUSR and XFP Connectors	52
Figure 3-5.	Non-CAT-3 E-Stop Circuit on XUSR and XFP Connectors	53
Figure 3-6.	Front Panel Schematic	54
Figure 3-7.	Digital Input Wiring Examples (XDIO Connector)	60
Figure 3-8.	Digital Output Wiring for XDIO Connector	62
Figure 3-9.	Belt Encoder Typical Input Circuit	66
Figure 4-1.	Two-Camera Breakout Cable for RS-170 Cameras	70
Figure 4-2.	Four-Camera Breakout Cable For RS-170 Cameras	71
Figure 4-3.	Camera Cable Installation Drawing (RS-170)	73
Figure 4-4.	Pin Locations for Camera Cable Connector (12-Pin Hirose Male)	77
Figure 5-1.	Lamp Body Contact Alignment	86
Figure 6-1.	SmartController Dimensions	87
Figure 6-2.	sDIO Dimensions	88
Figure 6-3.	Adept Front Panel Dimensions	89
Figure 6-4.	Adept Front Panel Back View	90
Figure 6-5.	MCP Dimensions	91
Figure 6-6.	MCP Cradle Dimensions	92
Figure A-1.	sDIO Module	93
Figure A-2.	Rack Mounting the sDIO	94
Figure A-3.	Panel Mounting the sDIO	95
Figure A-4.	Table Mounting the sDIO	96
Figure A-5.	Using Multiple sDIO Modules	102
Figure A-6.	sDIO	103
Figure A-7.	Typical sDIO Input Wiring	105
Figure A-8.	Typical sDIO Output Wiring	109
Figure B-1.	Trunklines and Droplines Made of Thick and Thin Cable	118
Figure B-2.	DeviceNet Thick Cable	120

Figure B-3.	DeviceNet Thin Cable	120
Figure B-4.	DeviceNet Connectors	121
Figure B-5.	Example of a Terminating Resistor Installation on a DeviceNet Bus	122
Figure B-6.	DeviceNet Connector Pinouts	124
Figure C-1.	3-Position Enable Switch on MCP-4	126
Figure C-2.	Holding the MCP	128
Figure C-3.	Cradling the MCP	128
Figure C-4.	MCP Layout	130
Figure C-5.	Data Entry Buttons	131
Figure C-6.	MCP Predefined Function Buttons	133
Figure C-7.	EDIT Function Button	134
Figure C-8.	DISPLAY Function Button	135
Figure C-9.	CLEAR ERROR Function Button	137
Figure C-10.	Command (CMD) Function Button	138
Figure C-11.	Program Set Function Button	139
Figure C-12.	Mode Control Buttons	140
Figure C-13.	Speed Bars	143
Figure C-14.	WORLD State (Four-Axis SCARA)	144
Figure C-15.	TOOL State (Four-Axis SCARA)	145
Figure C-16.	TOOL State (Six-Axis Robot)	146
Figure C-17.	JOINT State (Four-Axis SCARA)	147
Figure C-18.	JOINT State (Six-Axis Robot)	148
Figure C-19.	FREE State (Four-Axis SCARA)	149

List of Tables

Table 1-1.	Related Manuals	16
Table 2-1.	Environmental Specifications.	23
Table 2-2.	Specifications for 24VDC User-Supplied Power Supply.	30
Table 3-1.	SmartController LEDs.	37
Table 3-2.	LED Status Indicators.	38
Table 3-3.	SW1 Settings	43
Table 3-4.	RS-232 Connector Pin Assignments.	44
Table 3-5.	Serial Connectors and V ⁺ Designations	45
Table 3-6.	RS-422/485 Connector Pin Assignments	45
Table 3-7.	Contacts Provided by the XUSR Connector	49
Table 3-8.	Contacts Provided by the XFP Connector.	50
Table 3-9.	Remote MCP Connections on the XMCP Connector	51
Table 3-10.	DIO Input Circuit Specifications (XDIO connector).	59
Table 3-11.	DIO Output Specifications (XDIO connector)	61
Table 3-12.	XDIO Digital I/O Connector Pin Assignments.	63
Table 3-13.	Belt Encoder Connector Pin Assignments	65
Table 4-1.	Breakout Cable Camera Connector Pin Assignments (RS-170)	75
Table 4-2.	Standard Breakout Cable Strobe and Power Connector Pin Assignments	76
Table 4-3.	Adept 10-Meter Camera Cable Pin Assignments.	77
Table 4-4.	Two-Camera Breakout Cable Pin Assignments.	78
Table 4-5.	Four-Camera Breakout Cable Pin Assignments.	79
Table 4-6.	Four-Camera Breakout Cable Pin Assignments.	81
Table 4-7.	Technical Specifications.	83
Table A-1.	Default I/O Configuration for sDIO	97
Table A-2.	sDIO Input Specifications	104
Table A-3.	sDIO Chassis LEDs	107
Table A-4.	sDIO Output Circuit Specifications	108
Table A-5.	X3 Input Cable Pin Assignments	111
Table A-6.	X4 Input Cable Pin Assignments	112
Table A-7.	X1 Output Cable Pin Assignments.	113
Table A-8.	X2 Output Cable Pin Assignments.	114
Table B-1.	DeviceNet Signal to Pin Locations	116
Table B-2.	Features of a DeviceNet Network.	119
Table B-3.	DeviceNet Data Rates Relative to Cable Type and Length	119
Table B-4.	DeviceNet Connector Styles	121
Table B-5.	Maximum Current on a Dropline Relative to its Length	123
Table C-1.	MCP-4 Compatibility Guidelines	127

Table C-2. Controlling More Than One Robot150
Table C-3. Robots With More Than 6 Axes150

1.1 Product Description

The Adept SmartController is a member of Adept's family of high-performance distributed motion and vision controllers. The Adept SmartController is designed for use with Adept SmartModules, the AdeptSix line of robots, and the Adept sMI6 Module for the SmartMotion product. All Adept SmartControllers offer known scalability and support for IEEE 1394-based digital I/O and general motion expansion modules.

Adept SmartController CS

The IEEE 1394 interface is the foundation of Adept SmartServo, Adept's new distributed controls architecture supporting the new family of Adept products, including Adept SmartModules, AdeptSix robots, Adept Cobra s600 and s800 robots, and the Adept SmartMotion product.

The Adept SmartController CS is configured for standard applications that do not require vision or conveyor belt tracking. The controller features several high-speed communication interfaces, including Fast Ethernet, IEEE 1394, and DeviceNet. The SmartController offers known scalability and support for Adept's IEEE 1394-based digital I/O and general motion expansion modules.

Adept SmartController CX

The Adept SmartController CX is a high performance motion and vision controller. It has the same capability as the SmartController CS, plus additional support for an integrated vision option, a conveyor tracking option, a more powerful processor, an additional pair of serial ports, and a second pair of IEEE 1394 network ports.

NOTE: The information in this manual applies to both the CS and CX models, except where differences are specifically noted.

sDIO Expansion Module

The sDIO expansion module provides 32 optical isolated digital inputs and 32 optical isolated outputs and also includes an IEEE 1394 interface.

Customers can access I/O signals from the following points using these products:

- the XDIO connector on a SmartController
- the DeviceNet connector on a SmartController
- the DIO X1-X4 connectors on an sDIO
- a Remote I/O (RIO) device on a SmartModule

1.2 How Can I Get Help?

Refer to the *How to Get Help Resource Guide* (Adept P/N 00961-00700) for details on getting assistance with your Adept software and hardware.

Additionally, you can access information sources on Adept's corporate web site:

<http://www.adept.com>

Related Manuals

This manual covers the installation and maintenance of an Adept SmartController system, including the sDIO. There are additional manuals that cover programming the system, reconfiguring installed components, and adding other optional components. The following manuals (available on the Adept Document Library CD-ROM provided with each system) provide information on advanced configurations and system specifications.

Table 1-1. Related Manuals

Manual Title	Description
<i>AdeptWindows Installation Guide</i> and AdeptWindows Online Help	Describes complex network installations, installation and use of NFS server software, the AdeptWindows Offline Editor, and the AdeptWindows DDE software.
<i>Instructions for Adept Utility Programs</i>	Describes the utility programs used for advanced system configurations, system upgrades, file copying, and other system configuration procedures.
<i>V+ Operating System User's Guide</i>	Describes the V+ operating system, including disk file operations, monitor commands, and monitor command programs.
<i>V+ Language User's Guide</i>	Describes the V+ language and programming of an Adept control system.

Adept Document Library

In addition to the Adept Document Library on CD-ROM, you can find Adept product documentation on the Adept web site in the Document Library area. The Document Library search engine allows you to locate information on a specific topic. Additionally, the Document Menu provides a list of available product documentation.

To access the Adept Document Library, type the following URL into your browser:

http://www.adept.com/Main/KE/DATA/adept_search.htm

or, select the Document Library link on the Home page of the Adept web site.

NOTE: The Adept Document Library was formerly known as the Knowledge Express.

1.3 Warnings, Cautions, and Notes

There are four levels of special alert notation used in this manual. In descending order of importance, they are:



DANGER: This indicates an imminently hazardous situation which, if not avoided, will result in death or serious injury.



WARNING: This indicates a potentially hazardous situation which, if not avoided, could result in serious injury or major damage to the equipment.



CAUTION: This indicates a situation which, if not avoided, could result in minor injury or damage to the equipment.

NOTE: This provides supplementary information, emphasizes a point or procedure, or gives a tip for easier operation.

1.4 Safety

Reading and Training for Users and Operators

Adept systems can include computer-controlled mechanisms that are capable of moving at high speeds and exerting considerable force. Like all robot and motion systems, and most industrial equipment, they must be treated with respect by the user and the operator.

This manual should be read by all personnel who operate or maintain Adept systems, or who work within or near the workcell.

We recommend you read the *American National Standard for Industrial Robot Systems - Safety Requirements*, published by the Robotic Industries Association (RIA) in conjunction with the American National Standards Institute. The publication, ANSI/RIA R15.06, contains guidelines for robot system installation, safeguarding, maintenance, testing, startup, and operator training.

We also recommend you read the International Standard IEC 204 or the European Standard EN 60204, *Safety of Machinery – Electrical Equipment of Machines*, and ISO 10218 (EN 775), *Manipulating Industrial Robots – Safety*, particularly if the country of use requires a CE-certified installation.

This manual assumes that the user has attended an Adept training course and has a basic working knowledge of the system. The user should provide the necessary additional training for all personnel who will be working with the system.

There are several warnings in this manual that say only skilled or instructed persons should attempt certain procedures. The qualifications are as follows.

- **Skilled persons** have technical knowledge or sufficient experience to enable them to avoid the dangers which electricity may create (engineers and technicians).
- **Instructed persons** are adequately advised or supervised by skilled persons to enable them to avoid the dangers which electricity may create (operating and maintenance staff).

System Safeguards

Safeguards must be an integral part of robot or motion workcell design, installation, operator training, and operating procedures.

Adept systems have various communication features to aid in constructing system safeguards. These include the emergency stop circuitry and digital input and output lines. These features are described in [Chapter 3](#) of this user's guide.

Safety Features on the Front Panel

The optional external Front Panel has three important safety features, the HIGH POWER indicator, the MANUAL/AUTOMATIC switch, and the EMERGENCY STOP switch. If you choose not to use the Front Panel, you should provide similar safety features in the system. See [Chapter 3](#) for more information, or call Adept Customer Service.

Computer Controlled Robots and Motion Devices



DANGER: Entering the workcell when the HIGH POWER light is on can result in severe injury.

Adept systems are computer controlled, and the program that is currently running the robot or motion device may cause it to move at times or along paths you may not anticipate. When the HIGH POWER light on the optional Front Panel is illuminated, do not enter the workcell because the robot or motion device might move unexpectedly. If this bulb fails, you will not be able to enable High Power. See [Chapter 5](#) for details on replacing the bulb.

Manually Controlled Robots and Motion Devices

Adept robots and other motion devices can also be controlled manually when the HIGH POWER light on the Front Panel is illuminated. When this light is lit, motion can be initiated from the system keyboard or from the optional Manual Control Pendant (MCP). If you have to enter the workcell when this light is lit, press the MAN/HALT button on the MCP. This will prevent anyone else from initiating unexpected motion from the system keyboard.

Other Computer-Controlled Devices

In addition, Adept systems can be programmed to control equipment or devices other than the robot or main motion device. The program controlling these other devices may cause them to operate unexpectedly. Make sure that safeguards are in place to prevent personnel from entering the workcell when a program is running.

Adept Technology highly recommends the use of additional safety features such as light curtains, safety gates, or safety floor mats to prevent entry to the workcell while HIGH POWER is enabled. These devices can be connected using the emergency stop circuitry.

Program Security

Programs and data stored in memory can be changed by trained personnel using the V⁺ commands and instructions documented in the V⁺ manuals. To prevent unauthorized alteration of programs, you should restrict access to the keyboard. This can be done by placing the keyboard in a locked cabinet. Alternatively, the V⁺ ATTACH and FSET instructions can be used in your programs to restrict access to the V⁺ command prompt.

Inappropriate Uses of the Adept SmartController

The Adept SmartController is intended for use as a component subassembly of a complete industrial automation system. The SmartController subassembly must be installed inside a suitable enclosure. Installation and usage must comply with all safety instructions and warnings in this manual. Installation and usage must also comply with all applicable local or national statutory requirements and safety standards. The SmartController subassembly is not intended for use in any of the following situations:

- In hazardous (explosive) atmospheres
- In mobile, portable, marine, or aircraft systems
- In life-support systems
- In residential installations
- In situations where the SmartController subassembly may come into contact with liquids.
- In situations where the SmartController subassembly will be subject to extremes of heat or humidity. See specifications for allowable temperature and humidity ranges.

1.5 Standards Compliance

The Adept SmartController is intended for use with other equipment and is considered a subassembly rather than a complete piece of equipment on its own. The SmartController meets the requirements of these standards:

EN 61000-4-2

EN 61000-4-3

EN 61000-4-4

EN 61000-4-5

EN 61000-4-6

EN 50081-2

To maintain compliance with the above standards, the SmartController must be installed and used properly with any additional equipment, in accordance with all regulations of the standards. You must also carefully follow all installation instructions in this user's guide.

1.6 CAT-3 Version of SmartController

Identification

The Adept SmartController has been modified to be compatible with Category 3 safety requirements. The CAT-3 version of both the CS and CX models of the SmartController can be identified by the serial number on the front of the controller.

Original SmartController CS	Serial Number: 3561-xxxxx
Original SmartController CX	Serial Number: 3562-xxxxx
CAT-3 SmartController CS	Serial Number: 1000-xxxxx
CAT-3 SmartController CX	Serial Number: 2000-xxxxx

Functionality Changes

MCP Enable Switch Not Functional in Auto Mode

The CAT-3 version of the SmartController has a significant functional difference from the original SmartController. When a **CAT-3 SmartController** system is operating in **Auto Mode**, the **Enable Switch** on the MCP **has no effect on the operation**. This means in the Auto mode, the Enable switch does not have to be pressed to enable High Power, and releasing the Enable switch while running will not turn off High Power. This is true for both the MCP-3 and MCP-4 models.



CAUTION: The new functionality of the MCP Enable switch in Auto Mode must be recognized by persons familiar with Adept systems, and working patterns and habits adjusted accordingly.

High Power Indication on XDIO Connector

In the CAT-3 SmartController, a V⁺ controlled, normally open relay contact, on the XDIO connector (pins 45 and 46), will close when High Power has been enabled. The user can use this feature to power an indicator lamp, or other device, that signals High Power is On.

E-Stop Circuit

The CAT-3 SmartController modification is shown in the E-Stop diagram in [Figure 3-4 on page 52](#). The change from the original SmartController circuit is evident in the center area of the drawing at the MCP-4 Enable switch.

Operational Change in SmartModule Systems

When a CAT-3 SmartController is used in an Adept SmartModules system, or an Adept Servo Kit system, that includes a PDU-2, there is a minor change in operation compared to the original SmartController. The sequence would be:

1. In a SmartModule system with a CAT-3 SmartController, while operating in Manual Mode, power is turned off by releasing the Enable switch on the MCP.
2. To re-enable power, the user must press and hold the Enable switch.
3. Next the user must press the Cmp/Pwr button on the MCP.
4. Then the user must press the High Power button on the Front Panel to turn on High Power to the robot. The LCD display on the MCP will instruct the user to press the button. The button will be blinking, and must be pressed within 10 seconds. (Ten seconds is the default timeout for the High Power button to be pressed. This timeout can be changed using the CONFIG_C utility.)

SmartController Installation

2

2.1 Controller Installation

This equipment must be shipped and stored in a temperature-controlled environment. See [Table 2-1](#). It should be shipped and stored in the Adept-supplied packaging, which is designed to prevent damage from normal shock and vibration. You should protect the package from shock and vibration.

Table 2-1. Environmental Specifications

Ambient temperature	5°C to 40°C
Storage and shipment temperature	-25°C to +55°C
Humidity range	5 to 90%, nonconducting
Altitude	up to 2000 m (6500 feet)
Free space around controller (for proper cooling)	10 mm at back, 13 mm on sides
Chassis protection class	IP20 (NEMA Type 1)
Recommendations for customer-supplied enclosure for Adept controller. (Mandatory for installations in EU or EEA countries.)	Enclosure must meet EN 60204 (IEC 204) requirements and be rated at IP54.

Before Unpacking

Carefully inspect all shipping crates for evidence of damage during transit. Pay special attention to tilt and shock indication labels on the exteriors of the containers. If any damage is indicated, request that the carrier's agent be present at the time the container is unpacked.

Upon Unpacking

Compare the actual items received (not just the packing slip) with your equipment purchase order, and verify that all items are present and that the shipment is correct. Inspect each item for external damage as it is removed from its container. Contact Adept immediately if any damage is evident. See ["How Can I Get Help?" on page 16](#).

Retain all containers and packaging materials. These items may be needed in the future to settle a damage claim or to transport the equipment to a new location.

Perform the steps below to unpack the Adept SmartController, and optional Adept sDIO Expansion Module, optional Front Panel, and optional Manual Control Pendant (MCP). Then, see the later sections for information on mounting the equipment.

1. Remove the Adept SmartController and any optional sDIO from their boxes. Place them near the robot, or mount them in a rack. See [“Mounting the SmartController” on page 24](#).
2. Remove the optional Front Panel from its box and set it on a flat surface near the Adept SmartController.
3. Remove the optional MCP from its box and place it on a flat surface near the Front Panel.

Repacking for Relocation

If the controller needs to be relocated, reverse the steps in the installation procedure. Reuse all original packing containers and materials and follow all safety notes used for installation. Improper packaging for shipment will void your warranty.

Space Around the Chassis

When the SmartController and/or sDIO is installed, you must allow 10 mm at the back of the unit and 13 mm on the sides of the unit for proper air cooling. To facilitate installation, make sure that the factory installed CompactFlash Memory Card is in place within the SmartController prior to mounting it. This is crucial if you plan to mount it in a way that restricts access to the side of the unit, and thus to the CompactFlash Memory compartment (see the [“CompactFlash Memory Card” section on page 28](#) for information).

Mounting the SmartController

The following mounting options are available for the SmartController:

- Rack
- Panel
- Table

In addition, the SmartController and sDIO can be stack mounted (one unit placed on top of another). See the sections below for information on mounting the SmartController; [page 93](#) for information on mounting the sDIO.

NOTE: To maintain compliance with EN 60204 in European installations, the mounting of the controller and all terminations at the controller must be performed in accordance with this standard.

Rack Mounting the SmartController

To rack mount the SmartController in a standard 19-inch equipment rack, install the optional mounting brackets on the side of the controller, as shown in **Figure 2-1**. These brackets must be ordered separately, they do not come with the SmartController.

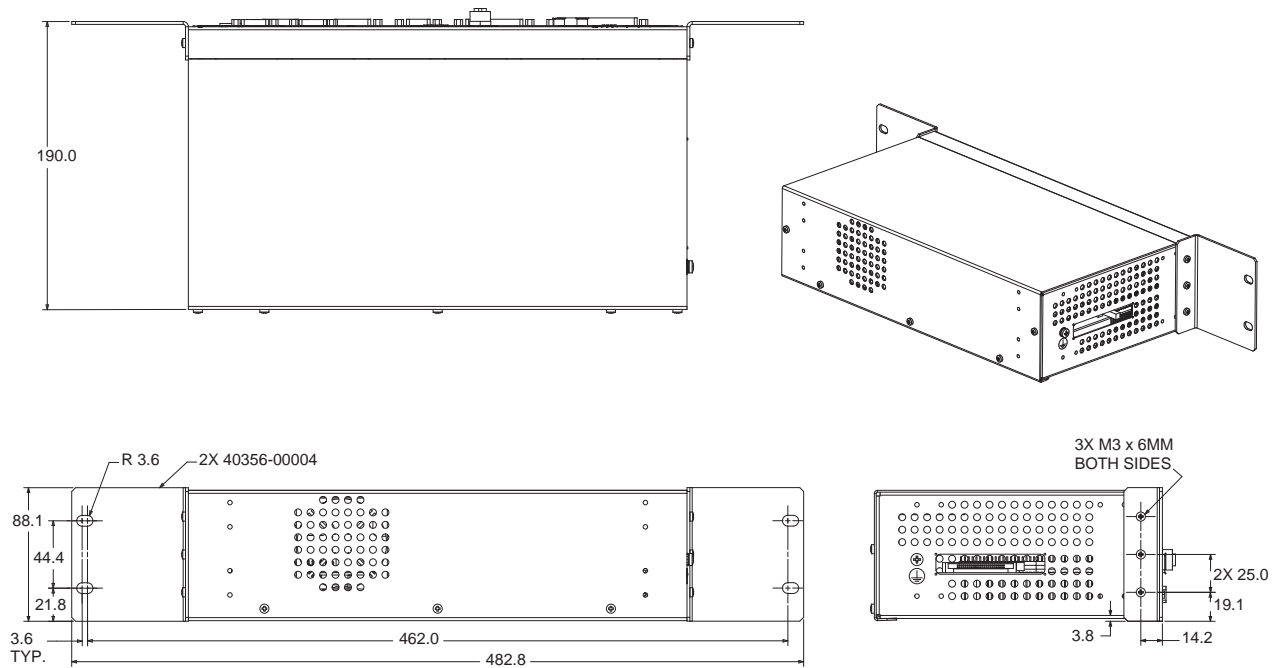


Figure 2-1. Rack Mounting the SmartController

Panel Mounting the SmartController

To panel mount the SmartController, install two brackets on each side at the rear of the unit, as shown in **Figure 2-2**. Use the screws from the accessories kit.

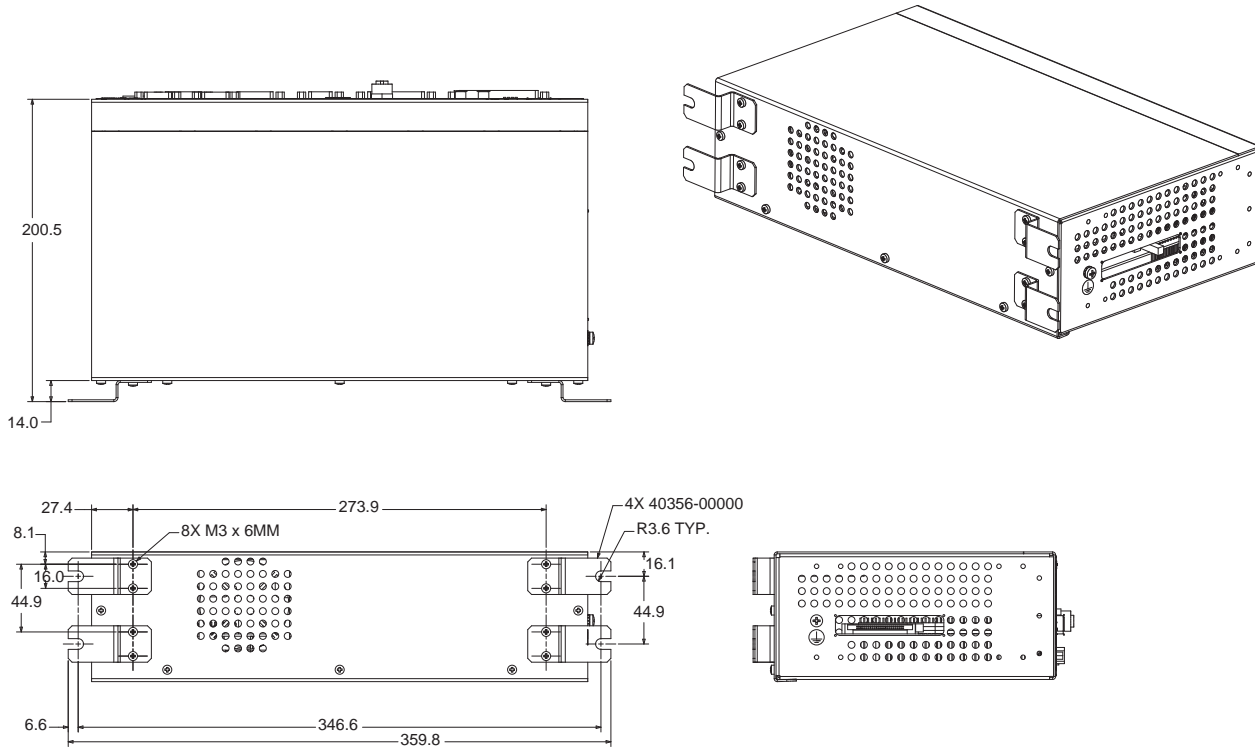


Figure 2-2. Panel Mounting the SmartController

Table Mounting the SmartController

To table mount the SmartController, install two brackets on each side near the bottom of the unit, as shown in **Figure 2-3**. Use the screws from the accessories kit.

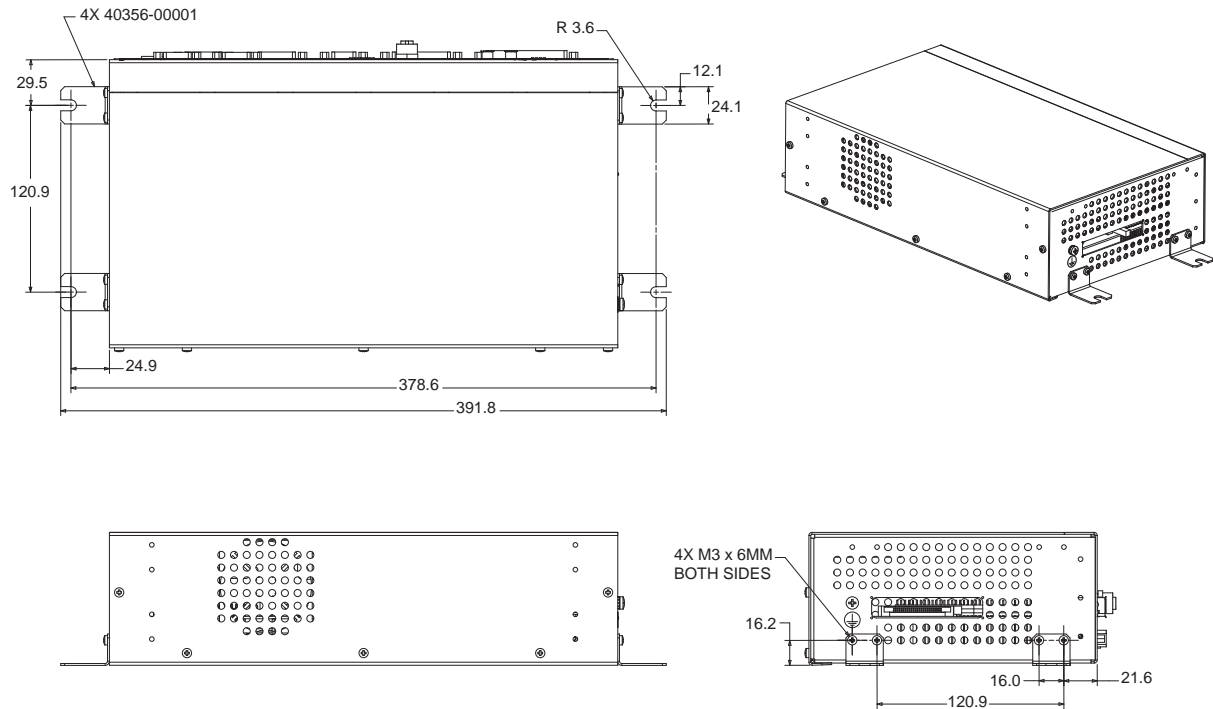


Figure 2-3. Table Mounting the SmartController

Stacking Components

To stack mount the SmartController and an sDIO or sMI6 module, install two brackets on each side of the units, as shown in **Figure 2-4**. These brackets are supplied with the sDIO and sMI6 modules.

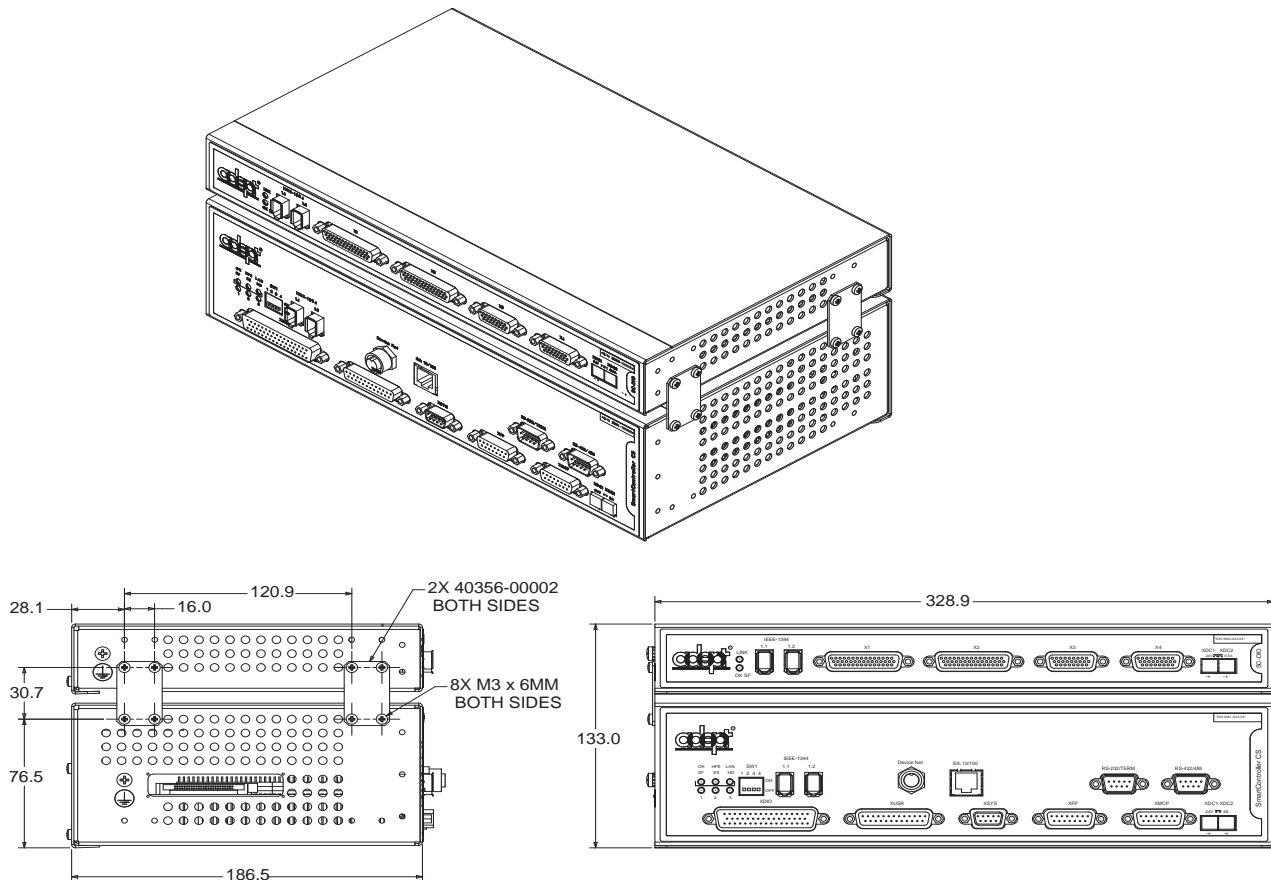


Figure 2-4. Stack Mounting the SmartController and sDIO

CompactFlash Memory Card

The SmartController is equipped with a CompactFlash™ (CF). The SmartController system uses a CF in place of a traditional hard disk drive. In fact, it is often referred to as a “solid state hard drive”. The CF is about half the size of a credit card and twice as thick. It has no moving parts and is therefore reliable and durable. It is also removable and can be moved to another SmartController for replacement or testing.

The CF capacity shipped with all systems is currently 30 MB and is factory configured by Adept. The CF stores the V+ operating system, optional AIM software, application programs, data files and Adept licenses.

NOTE: Adept reserves the right to increase the size of the CF without notice.

Not all types of CompactFlash are compatible with the SmartController. Adept requires the use of the CF supplied by Adept at the time of controller purchase and that all replacement CF cards be purchased from Adept.

NOTE: With an AdeptWindowsPC ethernet connection you can also use the supplied NFS software to remotely mount hard disk drives and directories located on a Personal Computer (PC). See the *AdeptWindows User's Guide* for further details.



CAUTION: Use suitable measures for eliminating electrostatic discharge during removal and installation of the CompactFlash. This includes, but is not limited to, the use of a grounded wrist strap while performing this operation.



CAUTION: Do not remove the CompactFlash when power is connected to the SmartController.

Installing CompactFlash

To install a CompactFlash (CF) into a SmartController:

1. Make sure that the SmartController is disconnected from its power source.
2. Locate the CF compartment (see [Figure 2-5](#)).

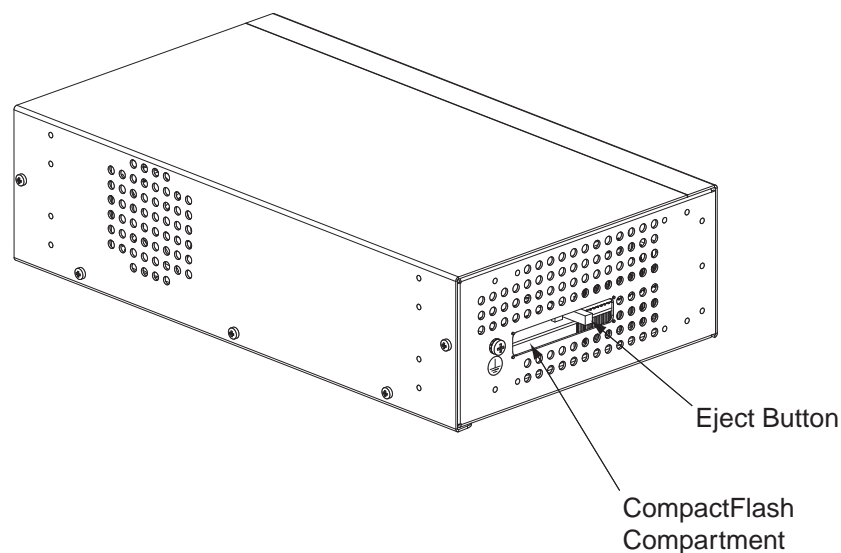


Figure 2-5. CompactFlash Memory Card Compartment

NOTE: If you are replacing an existing CF, the original must be sent to Adept for replacement. Press the button inside the CF compartment to eject the original card, remove it, and return it to Adept. Contact Adept Customer Service for assistance.

3. Carefully remove the CF from the READ ME FIRST box or shipping container. Locate the CF slot and position the card so its connector is facing towards the SmartController and the label is facing up.
4. Insert the CF into the SmartController.

NOTE: Your licenses were installed onto the CF at the factory when it was initialized. Your licenses must be reinstalled onto a new CF by using the provided passwords and the V+ INSTALL monitor command. These passwords are provided in a box or folder labeled READ ME FIRST.

Once installed, Adept recommends that you do not repeatedly remove and insert the CF.

Connecting Power

The SmartController and sDIO require filtered 24VDC power.

NOTE: Users must provide their own power supply. Make sure the power cables and power supply conform to the specifications below.

24VDC Power Specifications

Table 2-2. Specifications for 24VDC User-Supplied Power Supply

Customer-Supplied Power Supply	24VDC, 120W (5A).
Circuit Protection	Not more than 8A (below the amperage rating of the cable used).
Power Cabling	1.5 - 1.85 mm ² (16-14 AWG), maximum length 10 meters
Shield Termination	Braided shield connected to “-” terminal at the appropriate XDC connector.

NOTE: The power requirements for the user-supplied power supply will vary depending on the configuration of the SmartController and connected devices. A minimum configuration of the controller, front panel and MCP will require 1A at 24VDC. However, a 24V, 5A power supply is recommended to allow for additional current draw from connected devices, such as external IEEE 1394 devices and digital I/O loads.

24VDC Power Cabling

In order to maintain compliance with EN standards, DC power must be delivered over a shielded cable, with the shield connected to the return conductors at both ends of the cable as shown in [Figure 2-6](#). Conductors should be 1.5 mm²- 1.85 mm² (16 to 14 AWG) in size. The maximum length for the 24VDC cable is 10 meters.

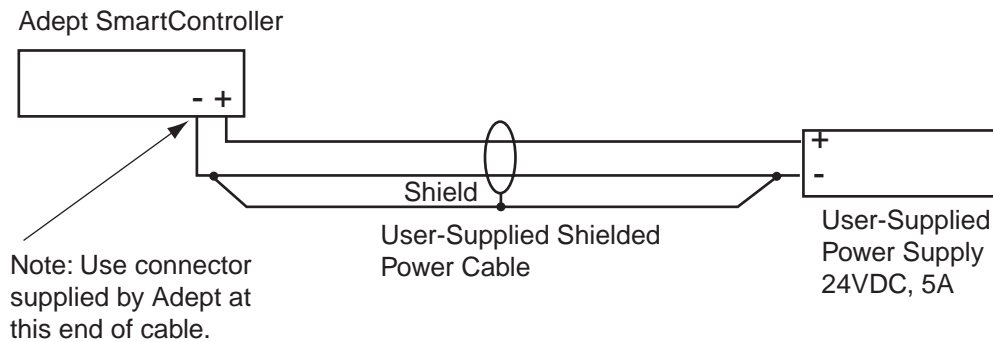


Figure 2-6. User Supplied Power Cable

Daisy-Chaining Power

The SmartController is equipped with two DC power connectors. These connectors allow the daisy-chaining of power from one controller to another or to a sDIO module. When daisy-chaining power, the power supply circuit must be limited to the lesser of 8 Amps or the ampacity of the cabling. This can be done with a circuit breaker or a fuse. The DC power can be applied to either the XDC1 or XDC2 connector.



CAUTION: Use only one 24VDC power supply per circuit. Failure to do this could result in damage to the equipment.

Grounding

The SmartController is equipped with a grounding point. See [Figure 2-7](#). Adept recommends connecting a ground wire from the ground point on the controller to earth ground and that all other interconnected Adept components share the same electrical ground potential. The ground wire must meet all local regulations. Additional grounding information for other Adept products are provided in the documentation for those products.

NOTE: The maximum length for the ground wire for the SmartController is 3 meters.

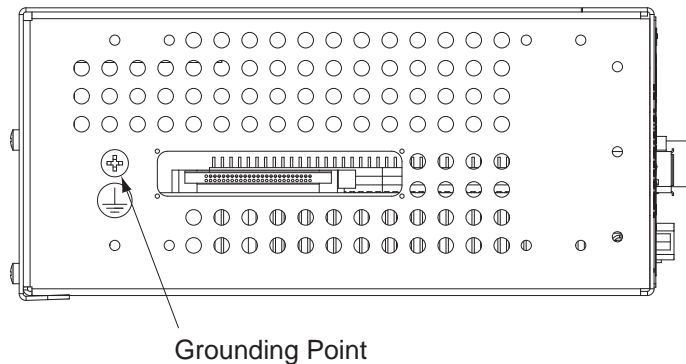


Figure 2-7. Chassis Grounding Point

The mounting of the controller and all terminations in Europe must be performed in accordance with EN 60204 to maintain proper compliance.

Installing 24VDC Connectors

Use the Adept-supplied connectors to connect the customer-supplied 24VDC power supply to the controller. The connectors are Weidmuller #169042.

1. Locate two 24VDC connectors that are shipped with the controller. See [Figure 2-8 on page 33](#).
2. Use 14 or 16 gauge wires to connect the 24VDC power supply to the controller.
3. Strip 7 mm of insulation from the end of the wire that connects to the positive output of the 24VDC supply.
4. Insert a small flat-blade screwdriver (2.5 mm) into the top opening on the right-hand (positive) side of the connector. Push the blade in until the clamp in the lower opening folds back.
5. Insert the stripped end of the wire into the right-hand lower opening, then remove the screwdriver from the top opening. The clamp will close on the wire. Pull on the wire to confirm it is securely attached in the connector.
6. Visually inspect the connection to make sure that the clamp has closed on the wire, not the insulation.
7. Repeat this process for the wire from the negative side of the power supply to the left-hand side of the connector.

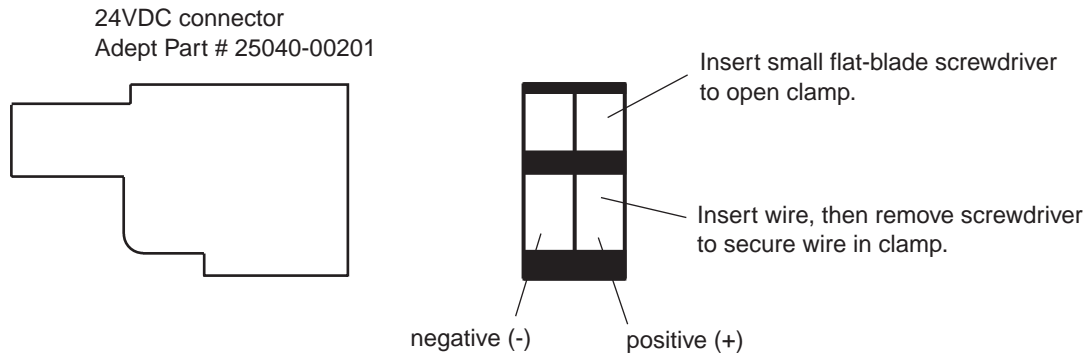


Figure 2-8. 24V Connectors

NOTE: Although no damage will occur, the SmartController will not turn on if the DC polarities on the XDC connectors are reversed.

IEEE 1394 Cable Specifications

Adept supplies the IEEE 1394 cables to connect the SmartController to other Adept devices in the system. If you need a cable of a different length than those supplied by Adept, then you must purchase a cable from one of the Adept-approved vendors listed below:

- Newnex Technology Corp. Go to www.newnex.com
- Molex, Inc. Go to www.molex.com

These purchased cables must meet all specifications of the IEEE 1394 standard. Note that Adept uses 6-pin to 6-pin cables. The maximum length for a 1394 cable is 4.5 meters. The 1394 Trade Association provides detailed specifications for 1394 cables and other related information, see www.1394ta.org.



WARNING: You must use cables from vendors approved by Adept that meet all specifications of the IEEE 1394 standard. Using a non-approved or inferior quality IEEE 1394 cable can cause unpredictable system performance.

2.2 System Cable Installation

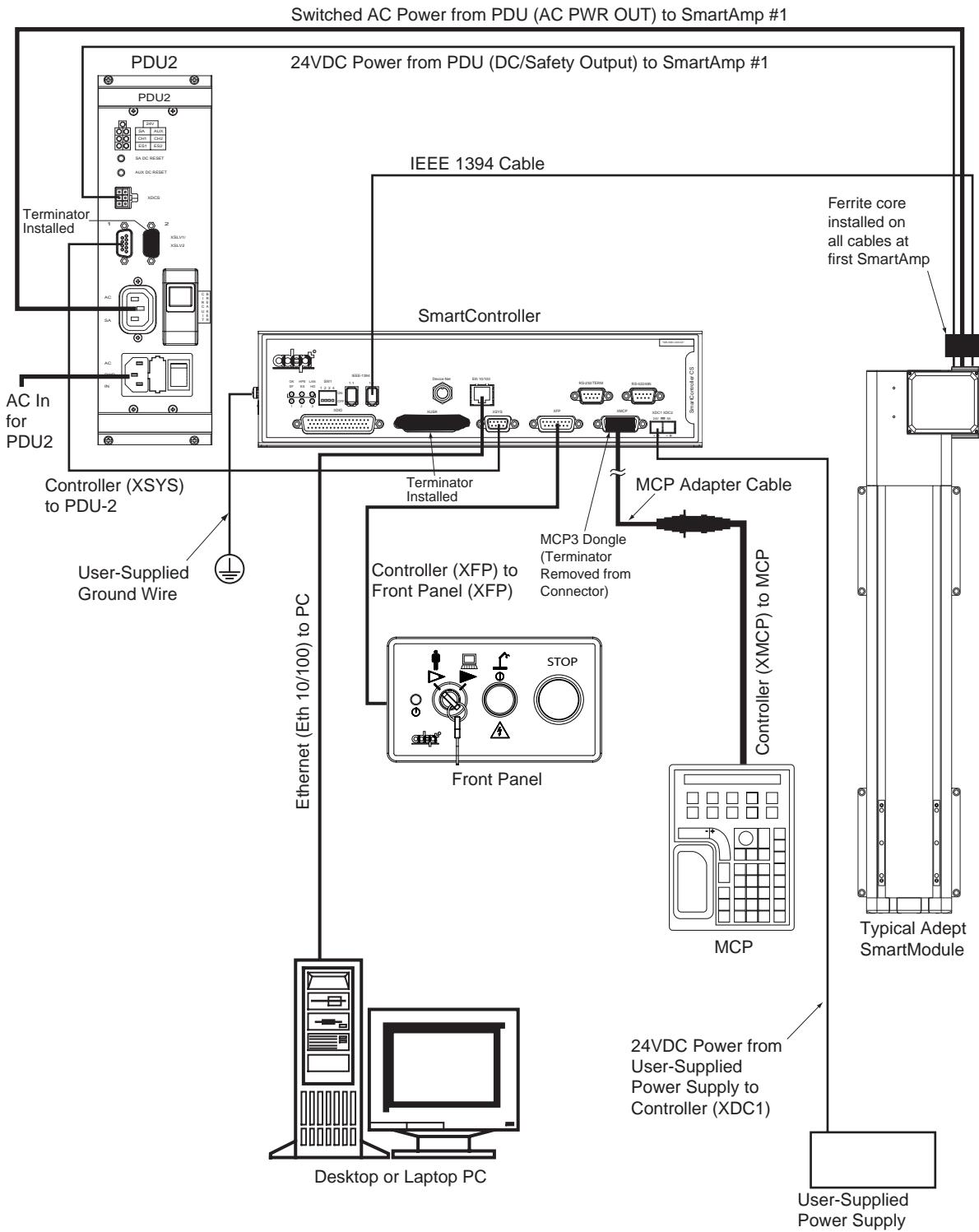


Figure 2-9. System Cable Diagram

NOTE: **Figure 2-9** shows the Adept SmartController CS in a SmartModule system. Both the SmartController CS and CX models are compatible with other Adept products, including:

- AdeptSix 300 Robot
- AdeptSix 300CR Robot
- AdeptSix 600 Robot
- Adept Servo Kits
- Adept sMI6 Module for Adept SmartMotion
- Adept Cobra s600 and s800 Robots
- Adept FireBlox amplifiers

See your specific product manual for complete details on system cabling for your Adept product.

SmartController Operation

3

3.1 SmartController CS Connectors and Indicators

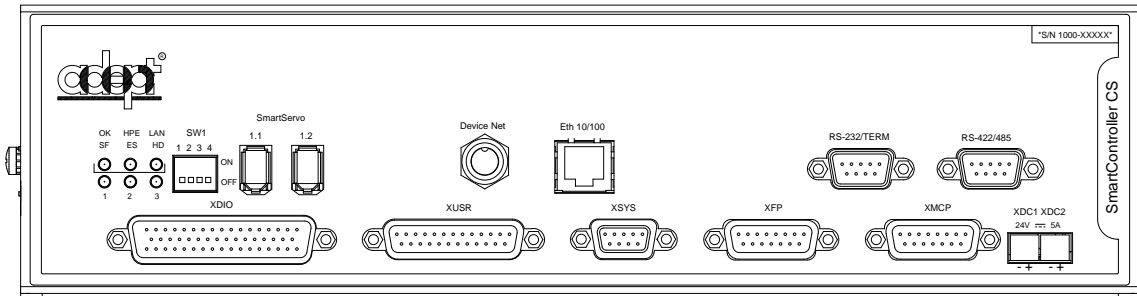


Figure 3-1. SmartController CS

All the connectors on the SmartController use standard density spacing, D-subminiature connectors. For customization purposes, the user needs to provide connectors of the appropriate gender and pin count or use optional Adept cables.

NOTE: The SmartController CX has all of the connectors and indicators described in this section for the SmartController CS, plus additional ones covered in [Section 3.2 on page 40](#).

1. Top Three Status LEDs

The top three two-color LEDs indicate diagnostic test, power control, and communication status.

Table 3-1. SmartController LEDs

LED	Green Indicates	Red Indicates
OK/SF	System OK	System Fault
HPE/ES	High Power Enabled	E-Stop Open
LAN/HD	Ethernet Access	Read/Write from CompactFlash

During system bootup, the red OK/SF and HPE/ES LEDs are lit and the red LAN/HD LED blinks. After system bootup, the OK/SF LED should show green. If the HPE/ES LED shows red, the E-Stop circuit is open. During CompactFlash reads and writes, the LAN/HD LED pulses red. When the controller is active on an Ethernet network, the LAN/HD LED pulses green.

2. Bottom Three Status LEDs

The bottom three LEDs on the front of the SmartController give the following information about the status of the main controller.

O = Off G = Green R = Red

Table 3-2. LED Status Indicators

LED Display 1 2 3	Error #	Description
O-O-O	0	No error.
R-O-O	1	System clock is dead or too fast. Clock interrupts are not being received.
O-R-O	2	Hardware configuration error.
O-O-R	4	Memory test failure. Free storage error.
O-R-R	6	Software serial I/O configuration error.
R-R-R	7	Initial display set by hardware before software has started.
G-O-O	9	Transient display set when PCI is configured.
O-O-G	C	Uninitialized trap.
G-O-G	D	Bus error detected.

If the SmartController displays any of the above errors, cycle the power off, then on again. If the problem persists, then contact Adept Customer Service.

3. SW1 DIP switches

The DIP switches define certain configuration settings (including auto boot and user interface). See [“Configuring the Controller” on page 42](#) for information.

4. SmartServo 1.1 and 1.2

These ports connect any SmartServo-compatible product to the controller; including SmartModules, Servo Kits, AdeptSix robots, Adept Cobra s600 or s800 robots, sMI6, sDIO, and FireBlox amplifiers. The 1.1 and 1.2 ports are interchangeable, either one can be used. (Note: on early SmartController CS models, these ports were labeled IEEE-1394.)



WARNING: Remove power from the SmartController before plugging in or unplugging any IEEE-1394 cables to or from these connectors. Failure to remove power could result in unpredictable behavior by the system.

5. DeviceNet connector

DeviceNet is a field bus for industrial devices. This standard supports a variety of products, including sensors, digital I/O, analog I/O, RS-232, and PLCs. Adept directly supports digital I/O devices and has currently qualified DeviceNet products from Wago and Beckhoff. Other DeviceNet product types, such as keypads and displays, can be controlled using the V+ FCMD program instruction (see the [V+ Language Reference Guide](#) for details).

6. Ethernet (Eth 10/100) connector

The shielded RJ-45 receptacle that supports 10/100 BaseT ethernet communications.

NOTE: The default IP address for the controller is located on a label on the bottom side of the controller chassis.

7. RS-232 and RS-422/485 connectors

These ports support RS-232 and RS-422/485 devices, respectively. See [“SmartController Serial I/O Connectors” on page 44](#) for pin descriptions and locations.

8. XDIO connector

This connector includes 20 signal pairs; 8 digital outputs (100 mA max) and 12 digital inputs, including four fast inputs (the first four input signals on this connector are the only input signals that can be configured as fast inputs). The digital outputs are short-circuit protected. This connector also supplies 24VDC power for customer equipment. See [Section 3.8 on page 58](#) for more information.

9. XUSR connector

Provides switch functions for emergency stop (E-Stop) and Manual/Automatic interfaces to external push buttons and other equipment. For example, an external E-Stop can be connected to the XUSR connector. A line E-Stop from other equipment can be connected. A muted safety gate that causes an E-Stop only in Automatic mode is included. Also included are contacts to report the status of E-Stop push buttons and the Manual/Automatic switch.

NOTE: The SmartController ships with a terminator plug attached to the XUSR connector. The terminator plug must be installed in the absence of any customer supplied safety to close the E-Stop circuit. For more information about the XUSR connector, see [Section 3.7 on page 49](#).

10. XSYS connector

Connects to the Power Distribution Unit (PDU-2) in a SmartModule system, or to the XSLV connector on the MAI-2 in an AdeptSix robot system.

11. XFP connector

Connects to the Front Panel. See [Section 3.7 on page 49](#) for information.

12. XMCP connector

The Manual Control Pendant (MCP) plugs into this connector. The SmartController works with the MCP-III or MCP-4. Other Adept pendants will not work because they do not incorporate the dual E-Stop channels.

The MCP-4 (P/N 90332-12506) requires a special 6' MCP-4 adapter cable (10356-10400) to transition from the MCP's circular plastic connector (CPC) to the SmartController's 15-pin D-sub connector.

The MCP-III (P/N 90332-48050) also requires the special 6' adapter cable. In addition, the MCP-III must use a small MCP-III adapter module (10356-10370) plugged into the XMCP connector before the adapter cable is attached.

The SmartController ships with a terminator plug attached to the XMCP connector.

NOTE: The terminator plug must be installed in the absence of an MCP. For more information about the XMCP connector, see the description of the Manual Control Pendant in your robot manual.

13. 24VDC connectors

Connect power from a customer-supplied 24VDC power supply to the XDC1 connector (see the **“Connecting Power”** section on page 30 for information); if using an sDIO or an sMI6, connect a separate cable from the XDC2 connector on the SmartController to the XDC1 connector on the sDIO or sMI6.

3.2 SmartController CX Connectors and Indicators

The SmartController CX has all the of connectors and indicators from the SmartController CS, plus the additional ones described in this section.

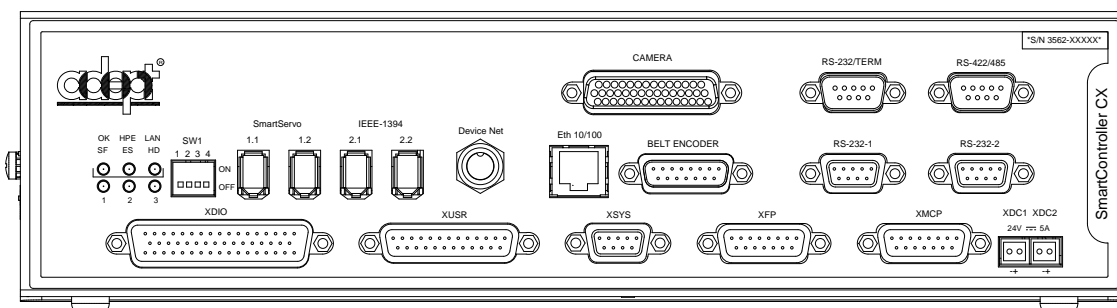


Figure 3-2. SmartController CX

1. Camera connector

This connector is present when the AdeptVision sAVI option is installed. The camera breakout cables connect here. See [Chapter 4](#) for complete information.

2. IEEE-1394 ports 2.1 and 2.2

These ports connect the Adept SmartController with an IEEE-1394 port on a Windows-based PC. This provides a connection for Adept's ActiveVR Interface software, available in V+ 16.0.

Do not use ports 2.1 or 2.2 to connect Adept Smart Servo-compatible products, or to connect non-Adept-qualified peripherals, such as cameras, hard drives, printers, etc.

3. RS-232-1 and RS-232-2 connector

These are additional RS-232 serial ports for general use. See [Section 3.5 on page 44](#) for more information.

4. Belt Encoder connector

A 15-pin D-Sub connector for up to two belt encoders in a conveyor tracking installation. See [Section 3.9 on page 65](#) for more information.

3.3 Front Panel

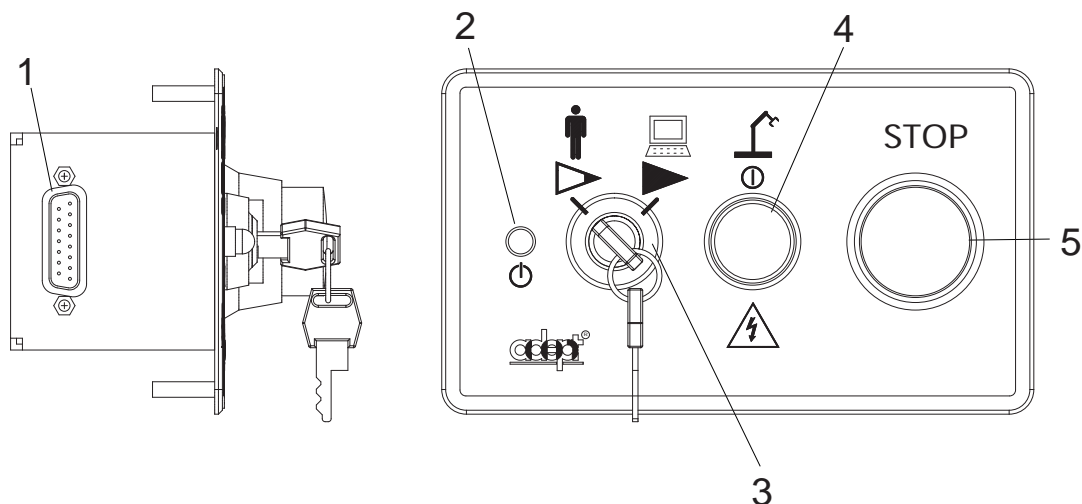


Figure 3-3. Front Panel

Before running programs, either the optional Adept SmartController Front Panel or customer-supplied switches for High Power On/Off, MAN/AUTO, and E-Stop must be connected to the SmartController XFP connector on the SmartController to enable power safely.

NOTE: Safety regulations dictate the sequence of events required for the user to enable high power. For instance, a user may be required to press the High Power On button on the Front Panel after pressing the Comp/Pwr button on the MCP or issuing the V+ “enable power” command. Users cannot jumper this button input and still enable power (see your robot manual further details).

Figure 3-3 shows an Adept front panel.

1. **XFP connector**
Connects to the XFP connector on the SmartController.
2. **System 5V Power On LED**
Indicates whether or not power is connected to the controller.
3. **Manual/Automatic Mode Switch**
Switches between Manual and Automatic mode. In Automatic mode, executing programs control the mechanism, and the mechanism can run at full speed. In Manual mode, the system limits mechanism speed and torque so that an operator can safely work in the cell. Manual mode initiates software restrictions on robot speed, commanding no more than 250 mm/sec as required by RIA and ISO standards. Please refer to your robot manual for further details.
4. **High Power On/Off Switch & Lamp**
Controls high power, which is the flow of current to the robot motors. Enabling high power is a two-step process. An “Enable Power” request must be sent from the user terminal, an

executing program, or the MCP. Once this request has been made, the operator must press this button and high power will be applied.

5. Emergency Stop Switch

The E-Stop is a dual-channel, passive E-Stop that supports Category 3 CE safety requirements. It supports a customer-programmable E-Stop delay that maintains motor power for a programmed time after the E-Stop is activated. This customizable feature allows the motors to decelerate under servo control to a stop. This can aid in eliminating coasting or overshooting on low friction mechanisms. It can also aid in the reduction of wear on highly geared, high inertia mechanisms, while maintaining safety compliance per all standards.

NOTE: Instructions on configuring the E-Stop delay can be found within the SPEC.V2 section of the *Instructions for Adept Utility Programs* manual.

3.4 Configuring the Controller

The SmartController is shipped with the factory configuration described in the next section. See [Figure 3-1 on page 37](#) for the location of DIP switch SW1. If you need to make changes to this configuration, set DIP switch SW1 as described below.

Factory Default Settings

Refer to row #5 [Table 3-3](#) for the factory default settings for DIP switch SW1.

With this default DIP switch setting, the system will read the configuration data from the CompactFlash. This allows you to set all the configuration options using the CONFIG_C utility in software without changing the physical DIP switches. See the description of the CONFIG_C program in the *Instructions for Adept Utility Programs* documentation for further information.

DIP-Switch Settings

The following table shows the options for DIP switch SW1 on the SmartController.

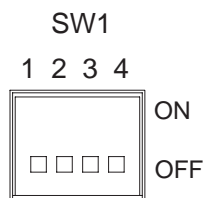


Table 3-3. SW1 Settings

Row #	SW 1	SW 2	SW 3	SW 4	Interpretation
1	ON	ON	ON	ON	No auto boot, all other settings per CompactFlash
2	OFF	ON	ON	ON	No auto boot, user interface via serial port
3	ON	ON	OFF	ON	No auto boot, user interface via Ethernet AdeptWindows (use IP address in CompactFlash)
4	OFF	ON	OFF	ON	No auto boot, user interface via Ethernet AdeptWindows (use default IP address)
5	OFF	OFF	OFF	OFF	Operation per CompactFlash and NVRAM settings

NOTE: SW1 is configured by Adept to a default configuration listed in row #5 of [Table 3-3](#) (OFF-OFF-OFF-OFF) to use the CompactFlash and NVRAM settings. Adept recommends that the user maintain this default SW1 configuration for normal SmartController operation. The default NVRAM settings are *auto boot*, *ethernet*, and *use default IP address*. The use of any settings other than those in [Table 3-3](#) will cause unpredictable results.

NOTE: The default IP address for the controller is located on a label on the bottom side of the controller chassis.

AdeptWindows PC Graphical User Interface

When using the AdeptWindows graphical user interface, DIP switch SW1 cannot be set to the switch settings shown in row #2 of [Table 3-3](#).



CAUTION: Adept strongly recommends using shielded Ethernet cables to connect the SmartController to an Ethernet network. Use only switches (not hubs) that provide shielded RJ-45 connectors. Adept cannot ensure reliable operation of the Ethernet connection without proper shielding of all the Ethernet connectors and cables.

NOTE: Adept recommends using switches instead of hubs when making Ethernet connections to the controller. When connecting to a switch, use a straight-through cable that connects the “Transmit” and the “Receive” pairs to the same pins on both ends of the cable. When connecting to a server/PC directly, use a cross-over cable that swaps the placement of the transmit and receive pairs on the opposite ends.

ASCII Terminal

When using an ASCII Terminal or terminal-emulation software as the user interface, DIP switch SW1 must be set to the switch settings shown in row #2 of [Table 3-3](#).

AUTO Boot

When using the SmartController in an AUTO Boot configuration, DIP switch SW1 must be set to the switch settings shown in row #5 of [Table 3-3](#) and the NVRAM switches set for AUTO boot.

3.5 SmartController Serial I/O Connectors

The SmartController CS has two serial I/O connectors, an RS-232/Term and an RS-422/485 port. See [Figure 3-1 on page 37](#) for the connector locations.

The SmartController CX has two additional serial connectors, RS-232-1 and RS-232-2. See [Figure 3-2 on page 40](#) for the connector locations.

RS-232 Connectors

All three of the RS-232 connectors are 9-pin DB9 male (standard PC) connectors. The user-supplied cable to connect to the RS-232 connectors should be a DB9, F/F, null-modem data transfer cable. The pin assignments are the same for all three connectors and are shown in [Table 3-4](#).

These ports support the DTR, DCD, RTS, and CTS signals used for hardware handshaking (also known as modem control). By default, these signals are not enabled. To configure hardware handshaking and other communication parameters, use the CONFIG_C utility program, the V+ FSET program instruction, or the FSET monitor command. The V+ designations for these ports when referenced in a V+ ATTACH or FSET instruction are shown in [Table 3-5 on page 45](#).

If you are using a customer-supplied ASCII terminal, it plugs the RS-232/Term connector on the SmartController.

Table 3-4. RS-232 Connector Pin Assignments

Pin	Signal	Type
1	DCD	Input
2	RXD	Input
3	TXD	Output
4	DTR	Output
5	GND	Ground
6	NC	
7	RTS	Output
8	CTS	Input
9	NC	

NOTE: To configure the port speed and other communications parameters, use the CONFIG_C utility program, the V+ FSET program instruction, or the FSET monitor command.

Table 3-5. Serial Connectors and V+ Designations

Controller	Connector	V+ Designation
CS and CX	RS-422/485	LOCAL.SERIAL:1
CS and CX	RS-232/Term	LOCAL.SERIAL:2
CX only	RS-232-1	SERIAL:1
CX only	RS-232-2	SERIAL:2

RS-422/485 Connector

The RS-422/485 connector is a 9-pin DB9 male connector. The pin assignments are shown in [Table 3-6](#). RS-422 is a point-to-point protocol for connecting to a single destination. This port can also be configured as a multidrop port (RS-485).

To change the configuration of the RS-422/485 port, use the CONFIG_C utility program or the V+ FSET program instruction. See [Table 3-5](#) for the V+ designation when referenced in a V+ ATTACH or FSET instruction.

Table 3-6. RS-422/485 Connector Pin Assignments

Pin	Signal	Type
1	NC	
2	RXD+	Input
3	TXD+	Output
4	TXD-	Output
5	GND	Ground
6	RXD-	Input
7	NC	
8	NC	
9	NC	

3.6 Installing the User Interface



WARNING: Make sure that all cables are installed correctly and fully inserted and screwed down before applying power to the system. Failure to do this could cause unexpected robot motion. Also, a connector could be pulled out or dislodged unexpectedly.

NOTE: The Adept Document Library CD-ROM is included in your shipment. This CD-ROM contains Adept's user documentation in both HTML and PDF format. Unless otherwise specified, check this CD-ROM for documentation that is referenced in this manual.

Graphical Interface Using AdeptWindows

The Adept SmartController system includes the AdeptWindows PC software, which is a suite of application programs that provide new capabilities for the Adept SmartController and a user interface for the PC. One of these capabilities is to operate the Adept SmartController via a graphical user interface running over an Ethernet connection. The procedure for installing AdeptWindows and setting up the user interface for the Adept SmartController system is described in the *AdeptWindows Installation Guide*, which is included in your shipment. Refer to this document for details on installing AdeptWindows and establishing an Ethernet connection to the Adept SmartController.

NOTE: Connect the necessary Ethernet cabling between your PC and the Adept SmartController prior to turning on the PC and controller. See [Section 2.2 on page 34](#).

NOTE: After installing the AdeptWindows software, refer to the AdeptWindows online help for additional information on setting up the user interface.

Text Interface Using a PC with HyperTerminal Software

This section describes how to connect with the Adept SmartController using a PC running HyperTerminal software (included with Microsoft Windows) over a serial connection. Note that the SmartController does not support AdeptWindows over a serial connection. Additionally, for controllers with the vision option, the camera vision window will not be visible using a serial connection.

NOTE: This interface is not suitable for application development using graphics-based programming, graphics-based application programs such as AIM, or SmartController CX systems equipped with the vision option.

Installation Procedure

1. Disconnect power from the controller. Install the CompactFlash included with the controller.
2. Set the controller DIP switches SW1 on the front of the controller to the following:

SW1	SW2	SW3	SW4
OFF	ON	ON	ON

3. Connect a standard null-modem data transfer cable from the PC RS-232 connector to the RS-232/TERM connector on the SmartController.
4. Locate and start the HyperTerminal application (Hypertrm.exe), by selecting:
START => Programs => Accessories => HyperTerminal
or
START => Programs => Accessories => Communications => HyperTerminal
5. Create a new HyperTerminal session in Windows by running "Hypertrm.exe". Name the connection "Adept SmartController". Set the connection as "Direct to COM1" (or the RS-232 port on your PC). Set the port settings as follows:
 - Bits per second: 9600
 - Data bits: 8
 - Parity: None
 - Stop bits: 1
 - Flow control: None

After configuring the session, an empty session window will appear with a flashing cursor. HyperTerminal is now ready to connect with the controller.

6. Connect 24VDC power to either XDC1 or XDC2 on the controller. Polarity is important. [See "Connecting Power" on page 30.](#)
7. After power is applied, the controller firmware boot screen displays in the HyperTerminal session window. Press Enter to load from drive D: (the CompactFlash). The V+ operating system will be loaded from the CompactFlash. After loading, the Adept system identification information displays followed by a flashing cursor at a dot prompt. The Adept SmartController is now ready for use.

Text Interface Using a Terminal

With an Adept SmartController system that does not have the graphical user interface, the customer must supply the terminal and cable to interface to the controller. The terminal must be a Wyse Model 60 or 75 with an ANSI keyboard, or a compatible terminal. You may also use a computer with suitable terminal-emulation software. For DOS or Windows-compatible computers, the programs "ProcommPlus" or "Procomm for Windows" (available from many computer stores) include software emulation for the Wyse-75. The HyperTerminal terminal-emulation program included with Windows can also be used.

This type of interface is not suitable for any graphics-based programming, graphics-based application programs such as AIM, or SmartController CX systems equipped with the vision option.

Recommended Terminal for Text-Based Systems

The recommended text-based terminal for use with the Adept SmartController is the Wyse WY-60. You must also specify the Wyse ANSI/VT100 style keyboard (Wyse p/n 900127-02 or 900128-02). Note: The WY-60 is also available with ASCII and IBM Enhanced PC keyboards. These are *not* Adept-compatible. You must make sure you order the correct keyboard. The WY-60 is available in both 220V and 110V versions.

Installation Procedure

1. Make sure the controller is turned off before making any connections.
2. Verify that the voltage range marked on the terminal is compatible with your local voltage source. Connect the AC power cord to the terminal, then plug it into an appropriate voltage source.
3. Connect a suitable serial cable between the terminal and the RS-232/Term connector on the Adept SmartController. (If you need to fabricate this cable, see [page 44](#) for the RS-232 pin description.)
4. If the terminal is a Wyse 60, use the setup mode to set the personality to "WY-75". If you are using terminal-emulation software on a computer, set the software to "WY-75" emulation. If "WY-75" is not available, try "VT102" or "VT100" (you will not be able to use all of the function keys).
5. Set the terminal baud rate to 9600, the default rate for the Adept system. To change the baud rate, refer to the information on CONFIG_C in the [Instructions for Adept Utility Programs](#).

3.7 Connecting Customer-Supplied Safety and Power Control Equipment

Connecting Equipment to the System

The connection of the customer-supplied safety and power control equipment to the system is done through the XUSR and XFP connectors on the SmartController. The XUSR connector (25-pin) and XFP (15-pin) connector are both female D-sub connectors located on the front panel of the SmartController. Refer to [Table 3-7](#) for the XUSR pin-out explanations. Refer to [Table 3-8 on page 50](#) for the XFP pin-out explanations. See [Figure 3-5 on page 53](#) for the XUSR wiring diagram.

Table 3-7. Contacts Provided by the XUSR Connector

Pin Pairs	Description	Comments	Shorted if NOT Used
Voltage-Free Contacts Provided by Customer			
1, 14	User E-Stop CH 1 (mushroom PB, safety gates, etc.).	N/C contacts	Yes
2,15	User E-Stop CH 2 (same as pins 1 and 14).	N/C contacts	Yes
3,16	Line E-Stop (used for other robot or assembly line E-Stop interconnection. Does not affect E-Stop indication (pins 7, 20.))	N/C contacts	Yes
4,17	Line E-Stop (Same as pins 3 and 16. See above comment.)	N/C contacts	Yes
5,18	Muted safety gate CH 1 (causes E-stop in AUTOMATIC mode only).	N/C contacts	Yes
6,19	Muted Safety Gate CH 2 (same as pins 5 and 18).	N/C contacts	Yes
Voltage-Free Contacts provided by Adept			
7,20	E-Stop indication CH 1.	Contacts are closed when Front Panel, MCP, and customer E-Stops are <i>not</i> tripped	
8,21	E-stop indication CH 2 (same as pins 7 and 20.	Contacts are closed when Front Panel, MCP, and customer E-stops are <i>not</i> tripped	
9,22	MANUAL/ AUTO indication CH 1	Contacts are closed in AUTOMATIC mode	

Table 3-7. Contacts Provided by the XUSR Connector (Continued)

Pin Pairs	Description	Comments	Shorted if NOT Used
10,23	MANUAL/ AUTO indication CH 2	Contacts are closed in AUTOMATIC mode	
11,12, 13,24,25	No connection		

The diagram shows a rectangular connector with 25 pins arranged in two rows. The top row has 13 pins and the bottom row has 12 pins. Labels indicate Pin 13 at the top left, Pin 1 at the top right, Pin 25 at the bottom left, and Pin 14 at the bottom right. The connector is labeled 'XUSR' in the center.

Table 3-8. Contacts Provided by the XFP Connector

Pin Pairs	Description	Comments
Voltage-Free Contacts Provided by Customer		
1,9	Front Panel E-Stop CH 1	N/C contacts
2,10	Front Panel E-Stop CH 2	N/C contacts
3,11	Remote MANUAL/ AUTOMATIC switch CH 1. MANUAL = Open AUTOMATIC = Closed	
4,12	Remote MANUAL/ AUTOMATIC switch CH 2. MANUAL = Open AUTOMATIC = Closed	
6,14	Remote High Power on/off momentary PB	Used to enable High Power
Nonvoltage-Free Contacts		
5,13	Adept Supplied 5 VDC and GND for High Power On/Off Switch Lamp	Use with Remote High Power On/Off switch above.
7,15	SmartController system 5V power on LED, 5V, 20mA	
8	No connection	

The diagram shows a rectangular connector with 15 pins arranged in two rows. The top row has 8 pins and the bottom row has 7 pins. Labels indicate Pin 8 at the top left, Pin 1 at the top right, Pin 15 at the bottom left, and Pin 9 at the bottom right. The connector is labeled 'XFP' in the center.

See [Figure 3-6 on page 54](#) for a schematic diagram of the Adept Front Panel.

Table 3-9. Remote MCP Connections on the XMCP Connector

Pin XMCP (15-Pin D-Sub)	Pin MCP (16-Pin CPC)	Description
1,9	6,7	MCP E-stop PB CH 1
2,10	11,12	MCP E-stop PB CH 2
3,11	14,16	MCP Enable CH 1 (Hold-to-run)
4,12	13,15	MCP Enable CH 2 (Hold-to-run)
13	1,4	Serial GND/Logic GND
7	2	MCP TXD: "V+ to MCP TXD"
8	3	MCP RXD: "V+ to MCP RXD"
14	5	+12VDC (max 350mA)
15	8	-12VDC (max 50mA)
Shield	9	Shield GND
6		24V (not used on MCP III or MCP 4)
5	10	No connection

Figure 3-4 shows an E-Stop diagram for the CAT-3 version of the Adept SmartController. See Section 1.6 on page 21 for a description of the functionality of this version of the controller.

E-Stop, High Power On/Off, and MANUAL/AUTO Controls for CAT-3 Version of SmartController

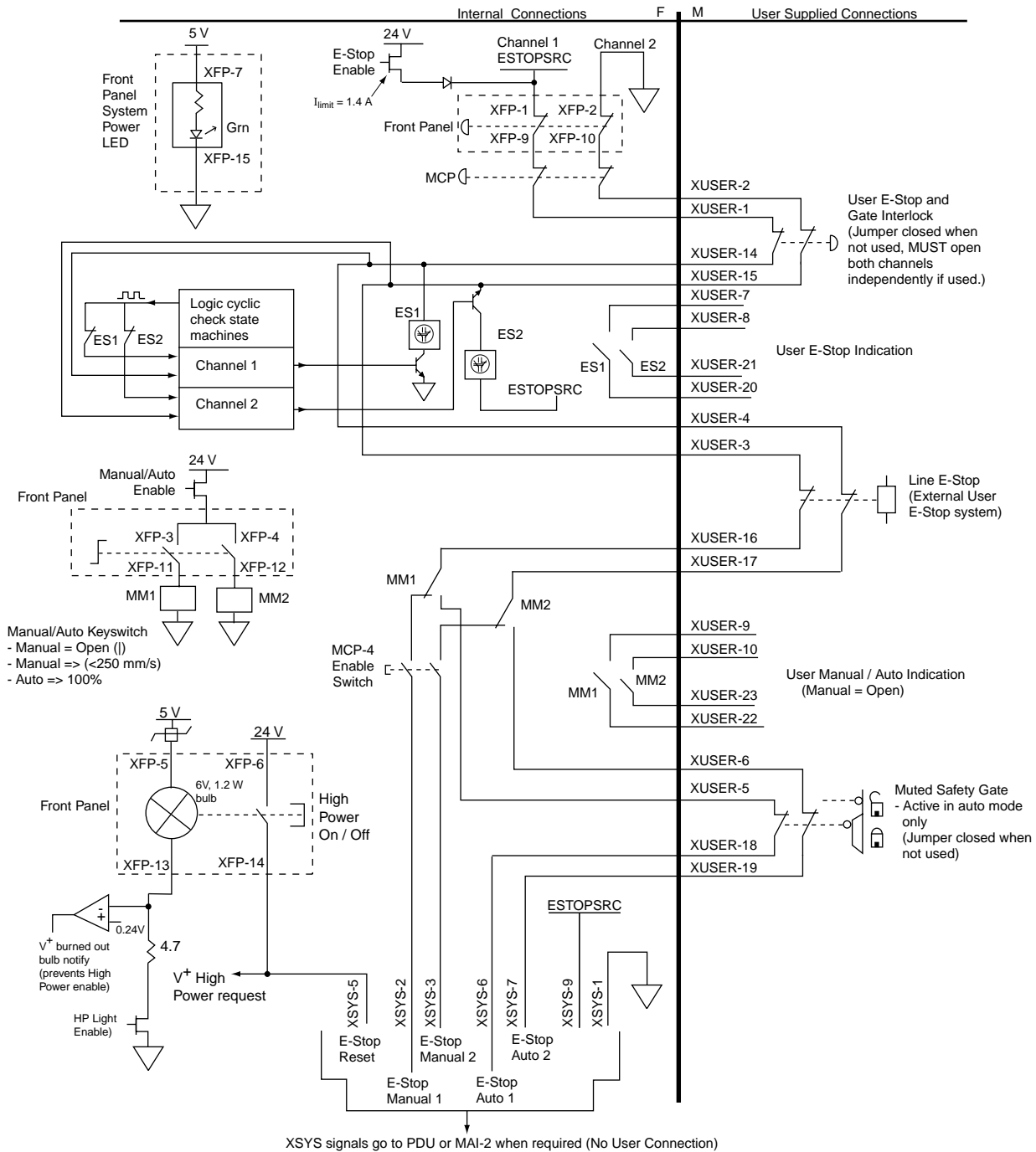
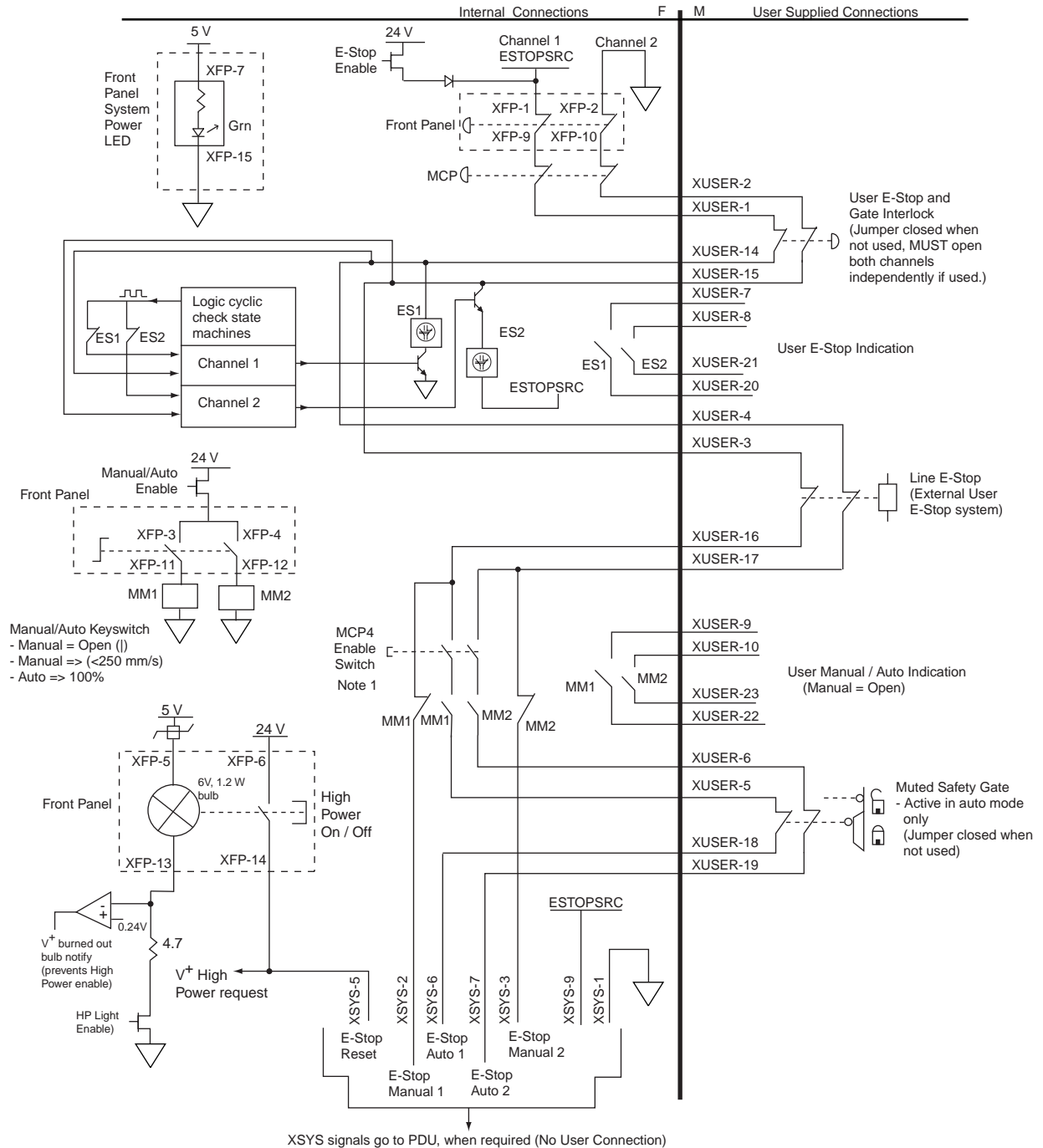


Figure 3-4. CAT-3 E-Stop Circuit on XUSR and XFP Connectors

Figure 3-5 shows an E-Stop diagram for the original, non-CAT-3 version of the Adept SmartController.

E-Stop, High Power On/Off and MANUAL/AUTO Controls



Note 1: If MCP-3 is used, an adapter plug must be used at the XMCP connector to close the Channel 2 Enable.

Figure 3-5. Non-CAT-3 E-Stop Circuit on XUSR and XFP Connectors

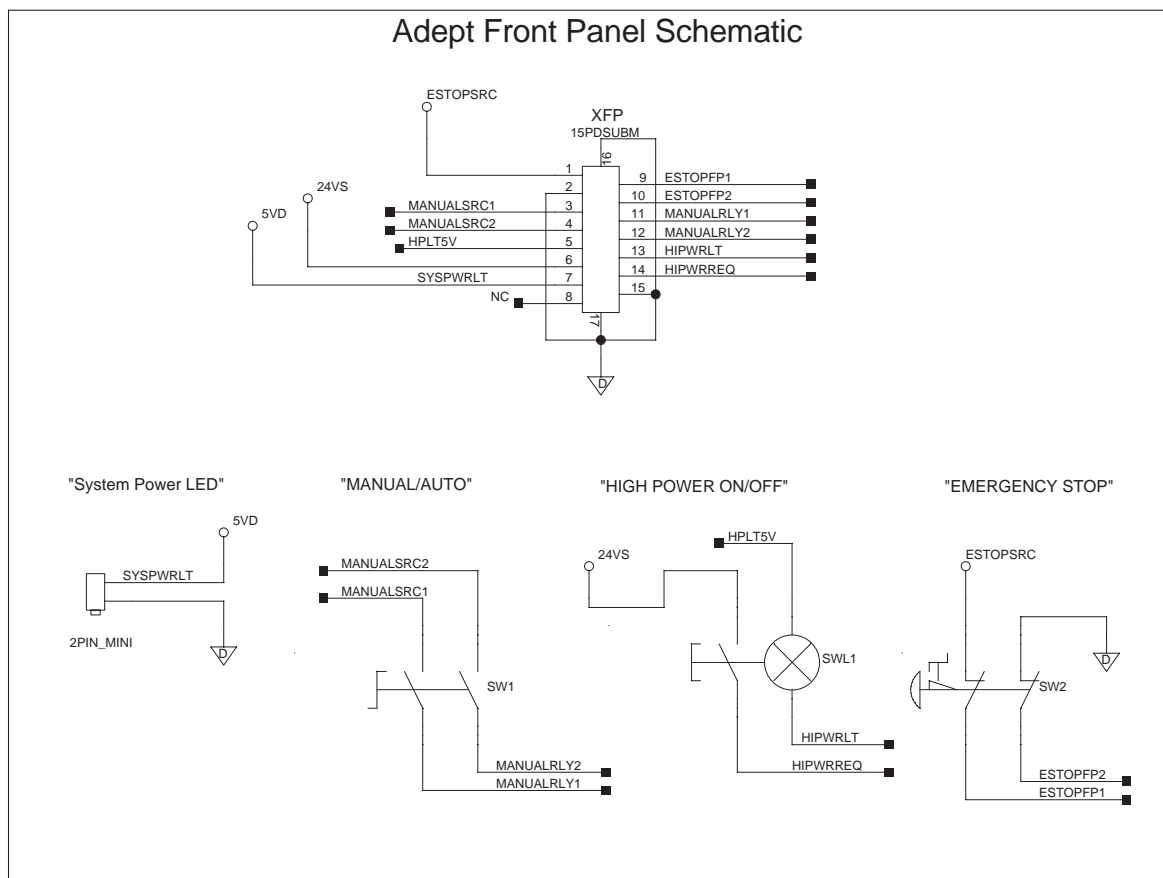


Figure 3-6. Front Panel Schematic

Emergency Stop Circuits

The SmartController provides connections for Emergency Stop (E-Stop) circuits on the XUSR and XFP connectors. This gives the SmartController system the ability to duplicate E-Stop functionality from a remote location using voltage-free contacts. See [Figure 3-5 on page 53](#).

The XUSR connector provides external two-channel E-Stop input on pins 1 to 14 and 2 to 15. The XFP connector provides two-channel E-Stop input on pins 1 to 9 and 2 to 10.

NOTE: These pins must be shorted if not used. Both channels must open independently if used. Although an Emergency Stop will occur, the SmartController will malfunction if one channel is jumpered closed and the other channel is opened. It will also malfunction if the channels are shorted together.

User E-Stop Indication - Remote Sensing of E-Stop

Two pairs of pins on the XUSR connector (pins 7, 20 and 8, 21) provide voltage-free contacts, one for each channel, to indicate whether the E-Stop chain, as described above, on that channel is closed. Both switches are closed on each of the redundant circuits in normal condition (no E-Stop). The user may use these contacts to generate an E-Stop for other equipment in the workcell. This output does NOT report status of “line E-Stop” input (see the section below for more information). The load on the contacts must not exceed 40VDC or 30VAC at a maximum of 1A.

These voltage-free contacts are provided by a redundant, cyclically checked, positive-drive, safety relay circuit for EN-954-1 Category 3 operation (see [Figure 3-5 on page 53](#) and [Table 3-7 on page 49](#) for the customer E-Stop circuitry).

Line E-Stop Input

The XUSR connector on the SmartController contains a two-channel Line E-Stop input for workcell or other equipment emergency stop inputs. Generally, the customer E-Stop Indication contact outputs are used to cause an emergency stop in such external equipment. Thus, if one were to wire the same equipment’s outputs into the customer E-Stop input (that is, in series with the local robot’s E-Stop push buttons), a lock up situation can occur.

The Line E-Stop input comes into the circuit at a point where it cannot affect the customer E-Stop indication relays and will not cause such a lock up situation. For any situation where two systems should be “cross-coupled”, for example, the customer E-Stop indication of one SmartController is to be connected to the input of another SmartController, the Line E-Stop input is the point to bring in the other SmartController’s output contacts, see [Figure 3-5 on page 53](#) for more information.

Do not use the Line E-Stop for such devices as local E-Stop push buttons since their status should be reported to the outside on the local customer E-Stop indication output contact while the Line E-Stop inputs will not.

Muted Safety Gate E-Stop Circuitry

Two pairs of pins on the XUSR connector (pins 5, 18 and 6, 19) provide connections for a safety gate designed to yield an E-Stop allowing access to the workspace of the robot in Manual mode only, *not* in Automatic mode. The E-Stop is said to be “muted” in Manual mode (see [Figure 3-5 on page 53](#), [Table 3-7 on page 49](#), [Table 3-8 on page 50](#), and [Table 3-9 on page 51](#) for the customer E-Stop circuitry).

The muted capability is useful for the situation where a shutdown must occur if the cell gate is opened in normal production mode, but you need to open the gate in manual mode. In muted mode, the gate can be left open for personnel to work in the robot cell. However, safety is maintained because of the speed restriction.



CAUTION: If the cell gate must always cause a robot shutdown, do not wire the gate switch into the muted safety gate inputs. Instead, wire the gate switch contacts in series with the user E-Stop inputs.

Remote Manual Mode

The Front Panel provides for a Manual Mode circuit (see [Figure 3-5 on page 53](#), [Table 3-7 on page 49](#), and [Table 3-8 on page 50](#), and your robot manual for further details about the customer Remote Manual Mode circuitry).

The Adept Front Panel, or customer-supplied panel, must be incorporated into the robot workcell to provide a “Single Point of Control” (the operator) when the controller is placed in Manual mode. Certain workcell devices, such as PLCs or conveyors, may need to be turned off when the operating mode switch is set to Manual mode. This is to ensure that the robot controller does not receive commands from devices other than from the MCP, the single point of control.

If the user needs to control the Manual/Automatic mode selection from other control equipment, then a custom splitter cable or complete replacement of the Adept Front Panel may be required. See [Figure 3-6 on page 54](#) for the Front Panel schematic. In this situation, a pair of contacts should be wired *in series* with the Adept Front Panel Manual/Automatic mode contacts. Thus, both the Adept Front Panel and the customer contacts need to be closed to allow Automatic mode.



WARNING: Do not wire customer-supplied Manual/Automatic contacts in parallel with the Adept Front Panel switch contact. This would violate the “Single Point of Control” principle and might allow Automatic (high-speed) mode to be selected while an operator is in the cell.

User Manual/Auto Indication

Two pairs of pins on the XUSR connector (pins 9, 22 and 10, 23) provide a voltage-free contact to indicate whether the Front Panel and/or remote Manual/Automatic switches are closed. The user may use these contacts to control other mechanisms (for example, conveyor, linear modules, etc.) when Manual mode is selected. The load on the contacts should not exceed 40VDC or 30VAC at a maximum of 1A.

User High Power On Indication

In the CAT-3 version of the SmartController (see [page 21](#)), a V⁺ controlled, normally open relay contact, on the XDIO connector (pins 45 and 46, see [Table 3-12 on page 63](#)), will close when High Power has been enabled. The user can use this feature to power an indicator lamp, or other device, that signals High Power is On. The limit on these contacts is 1 A at 30VDC or 30VAC.

Remote High Power On/Off Control

The easiest and most effective way to provide the high power on/off control in a remote location is to mount the Adept Front Panel in the desired location with an extension cable.

However, if the user needs to control high power on/off from other control equipment or from a location other than the Adept Front Panel, then a custom splitter cable or complete replacement of the Adept Front Panel will be required. See the Front Panel schematic ([Figure 3-6 on page 54](#)) for details of the Front Panel's wiring. In this situation, a second momentary contact for high power on/off would be placed *in parallel with* the Adept Front Panel push button contact. This second contact should be suppressed when in Manual mode (see the note on "Single Point of Control" below).

This method allows relocating the push button switch to a more convenient location. Implementation of this method must conform to EN standard recommendations.

The European standard, EN 775, Ind. Robots, Part 6, Recommendations for Safety: Item 7.2.5 Emergency Stop, reads: "Each robot system operator station shall have a readily accessible emergency stop device. The manual intervention and reset procedure to restart the robot system after an emergency stop shall take place outside the restricted space".

Thus, it is important that the remote High Power push button be located outside of the protected space of the robot.

Pins 6 and 14 and 5 and 13 of the XFP connector provide this remote capability. Pins 5 and 13 provide power for the lamp, +5VDC and ground, respectively. Pins 6 and 14 are inputs for voltage-free N/O contacts from a customer-supplied momentary push button switch.



WARNING: To fulfill the "Single Point of Control" requirement, do not place the Manual/Automatic and High Power On controls in multiple locations. To put the robot into Manual mode, the operator should remove the key for safety purposes. The system should not be wired so that a PLC or another operator can put the system back into Automatic mode.

High Power On/Off Lamp

The Front Panel High Power On/Off Lamp (P/N 27400-29006) will cause a V⁺ error if the lamp burns out. This error prevents High Power from being turned on. This safety feature prevents a user from not realizing that High Power is enabled because the High Power indicator is burned out. See [Section 5.1 on page 85](#) for information on changing this lamp.

Remote Front Panel Usage

Users can mount the Front Panel remotely by using an extension cable or by wiring a customer-supplied Front Panel (control panel) to the SmartController using the 15-pin XFP connector. The Front Panel contains no active components, only switches and lights. Customers should be able to adapt the Front Panel's functionality into their own Front Panel design. To automatically control the Front Panel's signals, use relay contacts instead of switches. See [Figure 3-6 on page 54](#) for a schematic drawing of the Front Panel.

Customers can build an extension cable to place the Front Panel in a remote location. The extension cable must conform to the following specifications:

- Wire Size: must be larger than 26 AWG.
- Connectors: must be 15-pin, standard D-sub male and female.
- maximum cable length is 10 meters.

NOTE: The XMCP and XFP connectors on the SmartController can be interchanged without electrical damage. However, neither the Front Panel nor the MCP will work properly unless they are plugged into the correct connector.

Remote MCP Usage

Customers can build an extension cable to place the MCP in a remote location. The extension cable must conform to the following specifications:

- Wire Size: must be larger than 26 AWG.
- Connectors: must be 15-pin, standard D-sub male and female.
- Maximum cable length is 10 meters.



CAUTION: Do not modify the cable that is attached to the MCP. This could cause unpredictable behavior from the robot system.

3.8 Connecting Customer-Supplied Digital I/O Equipment

The SmartController contains two options for connecting Inputs and Outputs (IO). IO can be hard-wired to the XDIO Connector and /or CAN network using the DeviceNet connector.

The XDIO connector on the SmartController provides 12 hard-wired inputs and 8 hard-wired outputs for Digital I/O connections. The signals are numbered 1001 through 1012 for the inputs and 1 through 8 for the outputs. All the signals have independent source and ground connections. These inputs contain the four high speed inputs that are used by the system for interrupts and latching. The outputs, although independent, have a lower current rating of 100mA compared to 700mA for the extended outputs on the sDIO (described in [Section A.6 on page 104](#)). See the *V+ Language User's Guide* for information on digital I/O programming.

The DeviceNet connector on the SmartController is used to interface to a Controller Area Network (CAN) using the DeviceNet protocol. See ["Adept DeviceNet" on page 115](#) for more details.

XDIO Connector

The XDIO connector on the SmartController is a 50-pin, standard density D-Sub female connector (see [Figure 3-1 on page 37](#) for location). There are 12 inputs and 8 outputs, each optically isolated from the circuitry of the SmartController. The connector also provides 24V pins for powering customer equipment. There are four 24V pins and four ground pins, which are limited to a total of 1A of current. The source of the 24V is the XDC1 or XDC2 connector on the front of the SmartController.

Input Signals

The XDIO connector handles input signals 1001 to 1012. Each channel has an input and a corresponding return line. See [Table 3-10](#) for input specifications. The connector pin-outs are shown in [Table 3-12 on page 63](#).

Table 3-10. DIO Input Circuit Specifications (XDIO connector)

Operational voltage range	0 to 24VDC
“Off” state voltage range	0 to 3VDC
“On” state voltage range	10 to 24VDC
Typical threshold voltage	$V_{in} = 8VDC$
Operational current range	0 to 6 mA
“Off” state current range	0 to 0.5 mA
“On” state current range	2 to 6 mA
Typical threshold current	2.5 mA
Impedance (V_{in}/I_{in})	3.9 K Ω minimum
Current at $V_{in} = +24VDC$	$I_{in} \leq 6 mA$
Turn on response time (hardware)	5 μ sec maximum
Software scan rate/response time	16 ms scan cycle/ 32 ms max response time
Turn off response time (hardware)	5 μ sec maximum
Software scan rate/response time	16 ms scan cycle/ 32 ms max response time

NOTE: The input current specifications are provided for reference; voltage sources are typically used to drive the inputs.

NOTE: When the program task priorities are properly set, there is a 2 ms maximum latency for fast inputs 1001 to 1004 when used with V^+ INT.EVENT instruction.

In the following figure, example 1 shows inputs (1001 to 1004) with a negative common, example 2 shows inputs (1005 to 1008) with a positive common, and example 3 shows inputs (1009 to 1012) with an independent power supply (no common).

NOTE: These are examples. Either method can be used on any channel.

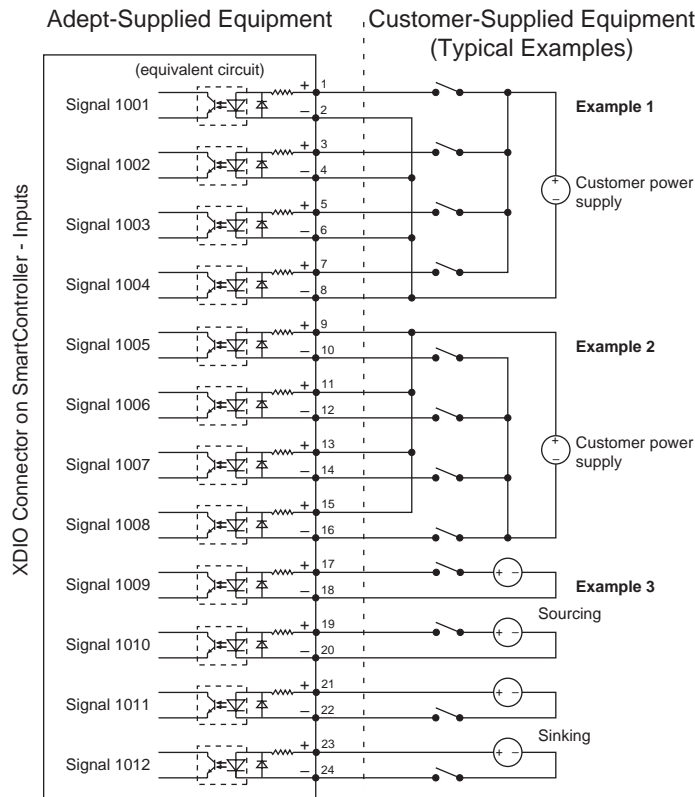


Figure 3-7. Digital Input Wiring Examples (XDIO Connector)

NOTE: Power from pins 41-44 and 47-50 can be substituted for the customer power supply. See [Figure 3-8 on page 62](#) and [Table 3-11 on page 61](#) for additional information.

REACT Input Signals 1001 to 1012

Inputs 1001 to 1012 (only) may be used by the V⁺ REACT and REACTI instructions. See the [V⁺ Language Reference Guide](#) for information on these instructions. If you are going to use these instructions, you should plan your digital I/O channel usage accordingly.

Fast Input Signals 1001 to 1004

In addition to functioning as normal input signals, signals 1001 to 1004 can have the following special uses:

- Fast DIO V⁺ Interrupt Events (INT.EVENT)
- Robot and Encoder Position Latch
- Vision Trigger

Fast DIO interrupt events (using INT.EVENT) require the optional V⁺ Extensions License. When the program task priorities are properly set, there is a 2 ms maximum latency for fast inputs 1001 to 1004 when used with V⁺ INT.EVENT instruction.

See the [V⁺ Language Reference Guide](#) for a description of the INT.EVENT instruction.

Output Signals

The XDIO connector handles output signals 0001 to 0008. Refer to [Table 3-11](#) for output specifications. The locations of the signals on the connector are shown in [Table 3-12 on page 63](#). The XDIO connector provides separate positive and negative connections for each channel (no internal common connections). This allows the choice of wiring for current-sourcing or current-sinking modes.

Table 3-11. DIO Output Specifications (XDIO connector)

Operating voltage range	0 to 24VDC
Operational current range, per channel	$I_{out} \leq 100$ mA, short-circuit Protected
V_{drop} across output in “on” condition	$V_{drop} \leq 2.7$ V at 100 mA $V_{drop} \leq 2.0$ V at 10 mA
Output off leakage current	$I_{out} \leq 600$ μ A
Turn on response time (hardware)	3 μ sec maximum
Software scan rate/response time	16 ms scan cycle/ 32 ms max. response time
Turn off response time (hardware)	200 μ sec maximum
Software scan rate/response time	16 ms scan cycle/ 32 ms max. response time

[Figure 3-8](#) shows two examples of different connections to the digital outputs on the XDIO connector. The examples are negative common and positive common using the internal 24V and ground connections.

Example 1: outputs 0001 to 0004 are shown with positive common.

Example 2: outputs 0005 to 0008 are shown with negative common.

NOTE: These are examples. Either method can be used, in any combination, on any channel. Also, an external customer-provided power supply could have been provided instead of the power provided on the XDIO connector.

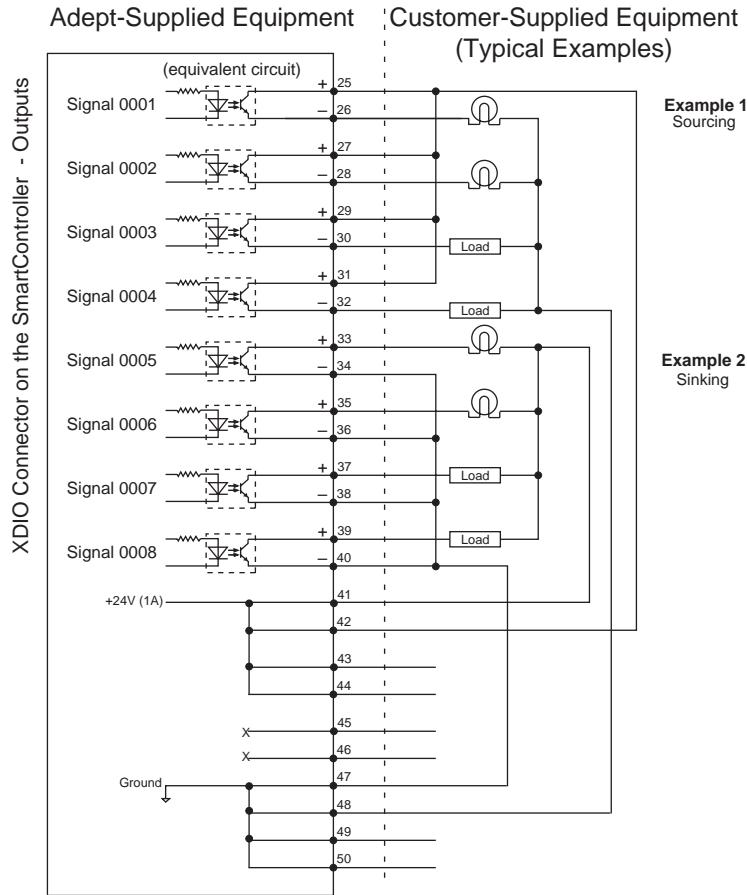
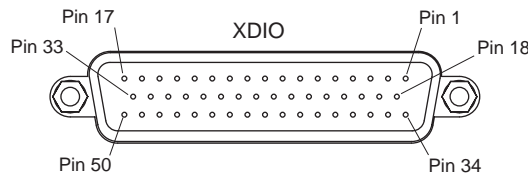


Figure 3-8. Digital Output Wiring for XDIO Connector

Table 3-12. XDIO Digital I/O Connector Pin Assignments

Pin	Signal	Pin	Signal	Pin	Signal	Pin	Signal
1	Input 1001	2	1001 return	27	Output 0002+	28	Output 0002-
3	Input 1002	4	1002 return	29	Output 0003+	30	Output 0003-
5	Input 1003	6	1003 return	31	Output 0004+	32	Output 0004-
7	Input 1004	8	1004 return	33	Output 0005+	34	Output 0005-
9	Input 1005	10	1005 return	35	Output 0006+	36	Output 0006-
11	Input 1006	12	1006 return	37	Output 0007+	38	Output 0007-
13	Input 1007	14	1007 return	39	Output 0008+	40	Output 0008-
15	Input 1008	16	1008 return	41	24V Output ^a	42	24V Output ^a
17	Input 1009	18	1009 return	43	24V Output ^a	44	24V Output ^a
19	Input 1010	20	1010 return	45	V ⁺ High Power On Indicator +	46	V ⁺ High Power On Indicator -
21	Input 1011	22	1011 return	47	24V return	48	24V return
23	Input 1012	24	1012 return	49	24V return	50	24V return
25	Output 0001+	26	Output 0001-				



^a Limited to combined total of 1A of current.

Digital I/O Connector Ordering Details (Third-Party Sources)

The XDIO connector on the SmartController is a 50-pin, standard-density D sub-miniature female socket. The customer-supplied cable must terminate in a suitable 50-pin Male D-sub plug. (The plug is not supplied by Adept.)

Compatible connectors are manufactured by AMP and by Thomas and Betts. Contact your nearest AMP or T&B Sales Office to find your local distributor.

AMP Part Numbers for 50-Pin Male D-Sub

HDP-20 series D-Sub Connectors. Crimp snap-in contacts. Order item 1 (includes cover) or item 2 (no cover). Contact pins not included, order separately (item 3, quantity 50).

1. 747960-1 Kit (Connector body, shield, enclosure, jackscrews)
2. 205212-3 Connector body only (alternatives: 205212-1, 205212-2)
3. 1-66682-1 Contact Pin, Male, wire size 28-24AWG (0.08-0.2mm 2)
(Alternatives: 66682-9, 66682-2, 66682-4, 66682-6, 66682-8)
(Pins also available for other wire sizes, contact AMP)

Thomas and Betts Part Numbers for 50-Pin Male D-Sub

HOLMBERG-series D-Sub Connectors. Crimp snap-in contacts. Contact pins not included, order separately (item 2, quantity 50).

1. HM50A Connector body only (alternative: HM50B)
2. 1008424C-02-25 Contact Pin, Male, wire size 28-24AWG (0.08-0.2mm 2)
(Alternatives: 1008404C-02-25, 1008429C-02-25, 1008449C-02-25)
(Pins also available for other wire sizes, contact T&B)

Screw-Terminal Field-Wiring Adapter Blocks

Several manufacturers make screw-terminal field-wiring blocks, usually DIN-rail mountable. These can be connected to the XDIO via a suitable shielded 50-pin cable (user-supplied).

Phoenix Contact Inc.

FLKM-D 50 SUB/B "DIN rail mount interface block screw terminal to 50-pin D connector (female)." (Alternative: FLK-D 50 SUB/B)

Weidmüller

AD911886 - RD 50 ASJS - "D-Sub to wire transition module, 50-pin female D-Sub with jackscrews".

3.9 Belt Encoder Interface on SmartController CX

For use with conveyor tracking, the SmartController CX supports two independent external belt encoders through a 15-pin, male, D-sub connector. The pin assignments for the Belt Encoder connector are shown in [Table 3-13](#). See [Figure 3-9 on page 66](#) for a typical input circuit drawing.

Adept strongly recommends using differential encoder outputs for maximum noise immunity. See the [V+ Language User's Guide](#) for more information on setting up and programming a conveyor tracking application.

NOTE: Conveyor tracking requires a V+ Extensions License, which can be obtained from Adept.

Table 3-13. Belt Encoder Connector Pin Assignments

Channel 1		Channel 2	
Signal	Pin	Signal	Pin
A+	15	A+	11
A-	7	A-	3
B+	14	B+	10
B-	6	B-	2
I+	13	I+	9
I-	5	I-	1
Encoder 5V out	4	Encoder 5V out	4
Encoder ground	12	Encoder ground	12
not used	8	not used	8

Belt Encoder Connector Pinout

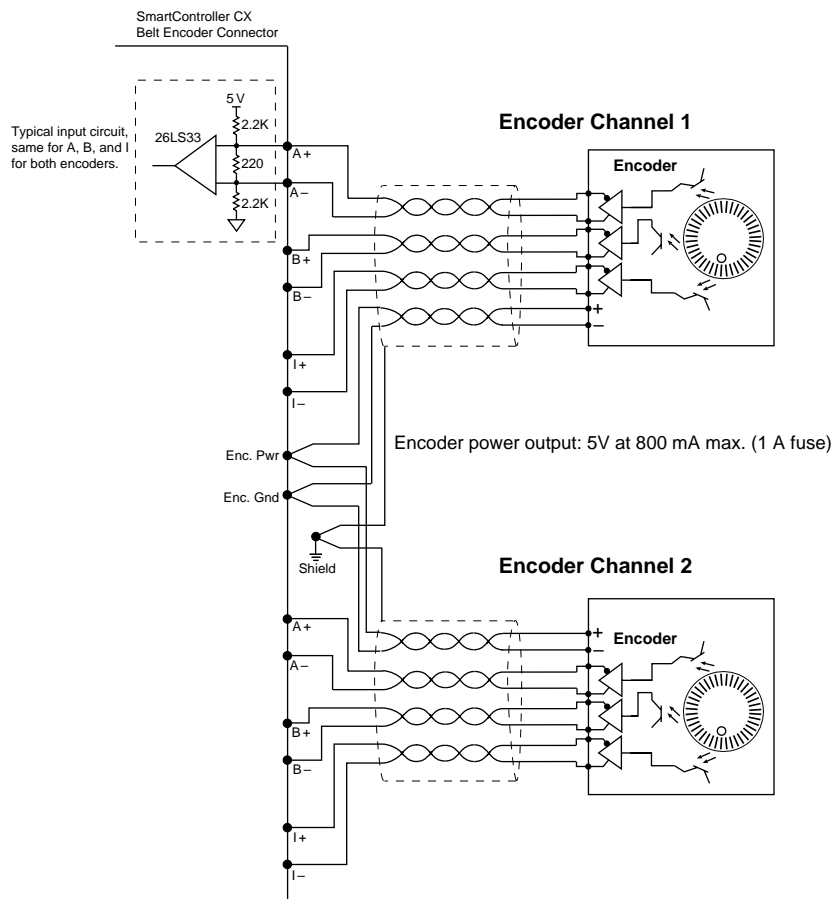


Figure 3-9. Belt Encoder Typical Input Circuit

AdeptVision sAVI Option

4

4.1 Introduction

The AdeptVision Advanced Vision Interface (sAVI) product is offered in two forms:

- AdeptVision sAVI Inspection System - this is a stand-alone machine vision system based on the SmartController CX. See [page 68](#) for more information and limitations.
- AdeptVision sAVI option for robot systems - this is the machine vision capability added to a SmartController CX in a complete robot or motion-control system.

The AdeptVision sAVI board is an assembly of two boards in a PMC form factor. The sAVI board is installed inside the Adept SmartController CX and serves as both frame grabber and vision processor for the AdeptVision sAVI product. The sAVI board uses a digital signal processor (DSP) and features four 640x480 pixel frame buffers. Support for 1Kx1K pixel cameras is also available.

Refer to the [AdeptVision User's Guide](#) and the [AdeptVision Reference Guide](#) for complete information on installation, configuration, operations, and programming of your vision system.

NOTE: If you are installing the sAVI board in the field, please refer to the [AdeptVision sAVI Board Installation Instructions](#) (P/N 01263-000) supplied with your AdeptVision sAVI board.

sAVI Board Features

These features are supported by the sAVI board:

- Asynchronous frame reset
- Strobe signals
- External trigger
- Field acquire mode (for interlaced cameras)
- Ping-pong mode

sAVI Board System Requirements and Restrictions

The sAVI board requires the following software versions:

- AdeptWindows version 3.0 or later
- V+ version 15.1 or later
- AIM version 4.1 or later

Pixel Format

For backwards compatibility with AdeptVision VXL systems, which use a 7-bit approach (reserving the high bit for binary images), AdeptVision sAVI supports 7-bit images and computes binary data from the grayscale pixel values.

AdeptVision sAVI Inspection System Limitations

The AdeptVision sAVI Inspection stand-alone machine vision system is installed in the SmartController CX and includes the AIM VisionWare application for programming and operating the system. The following motion-related connectors on the SmartController CX are not functional in an sAVI Inspection system: XUSR, XSYS, XFP, and XMCP. These connectors can be activated by purchasing the optional Integrated Motion and Vision license. Contact Adept Sales for information.

4.2 Camera Compatibility

This section describes the sAVI option compatibility with standard and high-resolution cameras. AdeptVision sAVI customers should buy cameras directly from third party vendors. Visit the Adept web site at www.adept.com for an up-to-date list of compatible cameras.

Guidelines for Cameras

The following information presents guidelines for camera compatibility with AdeptVision sAVI:

- Video output: RS-170, monochrome output
- Speed: 30Hz frame rate, 60Hz field rate
- Resolution: 525 lines, interlaced
- Signal inputs: External horizontal drive (Hd) and vertical drive (Vd) sync signals
- Connector: 12-pin Hirose
- Connector pin-out: Typical Sony or Panasonic pin-out. Pulnix cameras should be ordered with special Adept options.

The most common mode of operation, interlaced field or frame grabbing using RS-170 cameras, is compatible with the default camera model #0. Camera model #0 is embedded in AdeptVision sAVI for Panasonic's GP-MF602 camera.

Use these guidelines to determine camera compatibility. If the camera meets the above requirements, there is a good chance that it will work as a plug and play device.

AdeptVision sAVI will work with cameras with a resolution of 500 x 480 or greater. If the camera, lens, etc., are good quality, the actual number of pixels does not affect compatibility, because the interface uses the RS-170-standard analog video-link.

Cameras Supported

AdeptVision sAVI supports the following cameras:

Standard Resolution Cameras

- Panasonic GP-MF602
- Panasonic GP-MF802

This camera is supported in the non-interlaced, full-frame, shutter mode only. Sync strobe mode is supported but the async reset strobe mode is not supported.

- JAI CV-M10

This camera is supported in the non-interlaced, full-frame, shutter mode only. Sync strobe mode is supported but the async reset strobe mode is not supported.

High Resolution Cameras

- Pulnix TM-1020-15 (OPT25)

This camera is supported in the non-interlaced, full-frame, shutter mode only. Sync strobe mode is supported but the async reset strobe mode is not supported. Option 25 should be ordered from PULNiX.

- JAI CV-M1

This camera is supported in the non-interlaced, full-frame, shutter mode only. Sync strobe mode is supported but the async reset strobe mode is not supported.

Downloading Camera Information

Custom Camera Modules and related information on cameras supported by the sAVI product can be downloaded from the Adept Web site. Go to:

<http://www.adept.com/main/KE/ServicesDB/search.asp>

4.3 Camera Cables

A two-camera breakout cable is standard with Adept vision systems. Adept sells an optional four-camera cable that is used for connecting cameras to the sAVI board. The camera cables connect to the Camera connector on the front of the SmartController CX. This connector contains support for two strobe connections through a breakout cable. See Tables 4-1 to 4-6 for pin and signal information for the cables.

For single camera, non-reset, non-strobe applications, the two-camera breakout cable is sufficient. Dual megapixel camera applications require a four-camera cable because of current limitations (see [page 71](#)).

Although the breakout cables route the signals away from the chassis, they do not connect directly to the camera. To connect to the cameras, you must use an extension cable. Adept offers a 10 meter cable for this purpose. These cables can also be purchased from Intercon 1. Contact Adept Applications Support for current Intercon 1 part numbers.

You can contact Intercon 1 (division of Nortech Systems) at:

Phone: 800-237-9576 or 218-765-3329

<http://www.nortechsys.com/intercon>

Two-Camera Breakout Cable for RS-170 Cameras

This cable, available from Adept (P/N 10332-01367), has a 44-pin D-sub connector on one end, and it breaks out to two 12-pin Hirose-style camera connectors on the other end. The length of the cable is 1.8 meters (70 inches).

The sAVI board supplies 12 VDC power for cameras through this cable. The current rating is 500 mA maximum per camera, with a combined maximum of 1 A.

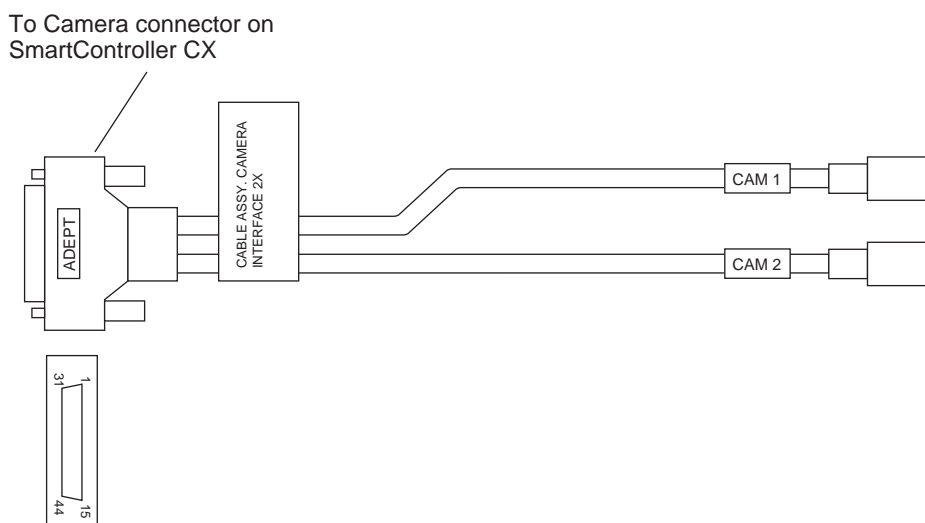


Figure 4-1. Two-Camera Breakout Cable for RS-170 Cameras

Four-Camera Breakout Cable for RS-170 Cameras

This cable, available from Adept (P/N 10332-01375) has a 44-pin D-sub connector on one end, and it breaks out to four 12-pin Hirose-style camera connectors and one 9-pin D-sub connector on the other end. The length of the cable is 1.8 meters (70 inches).

Dual megapixel camera applications require a four-camera cable since their combined current draw exceeds the sAVI board's 1A limit in the absence of external power. An external 12V power supply is required for this application.

Similarly, due to the current limitation of the sAVI board, it cannot supply enough current to operate all four cameras from the four-camera cable. You must supply the external power to operate the cameras when using this cable. This power must be routed through the 9-pin D-sub connector, see [Figure 4-2](#) and [Table 4-2](#) for pin information. Connect the power and ground on the breakout cable to a 12V power supply producing 2.0A at 12VDC.

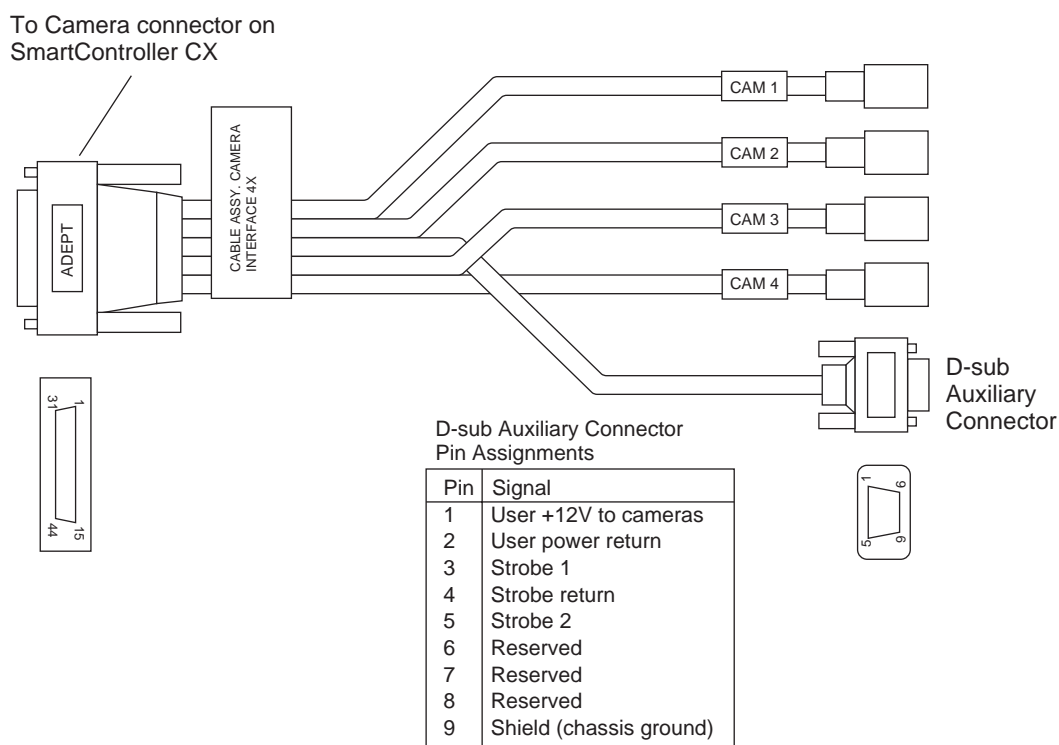


Figure 4-2. Four-Camera Breakout Cable For RS-170 Cameras

10-Meter Camera Extension Cables

The 10-meter camera extension cables have a male Hirose connector on one end and a female Hirose connector on the other end. These cables go between the breakout cables and the connectors on the cameras. Each camera requires one of these cables (or an equivalent). See [Table 4-3 on page 77](#) for the pinout.

4.4 Installing Camera Cables

Figure 4-3 on page 73 shows the installation of a typical four-camera RS-170 breakout cable and the associated hardware in a SmartController CX system. See the *AdeptVision User's Guide* for information on mounting cameras and strobes in your system.



CAUTION: Turn off the controller before installing or removing a camera or cable. Failure to do this may damage the sAVI board.



CAUTION: When using the four-camera breakout cable, you must provide 12 VDC power at sufficient current for the type and quantity of cameras you are using. See the documentation supplied with your cameras for information on current requirements.

Connecting the Cables to the RS-170 Standard Camera

This section describes the steps for connecting the cables between the sAVI board and the RS-170 Cameras.

1. Turn off the SmartController CX.
2. Connect the camera to a 10m camera cable.
3. Connect the 10m camera cable to the appropriate connection on the camera breakout cable.
4. Connect the power supply and strobe lamps through the 9 pin D-sub connector (see **Figure 4-2 on page 71** and **Table 4-2 on page 76** for pin assignments).
5. Connect the camera breakout cable to the Camera connector on the SmartController CX.

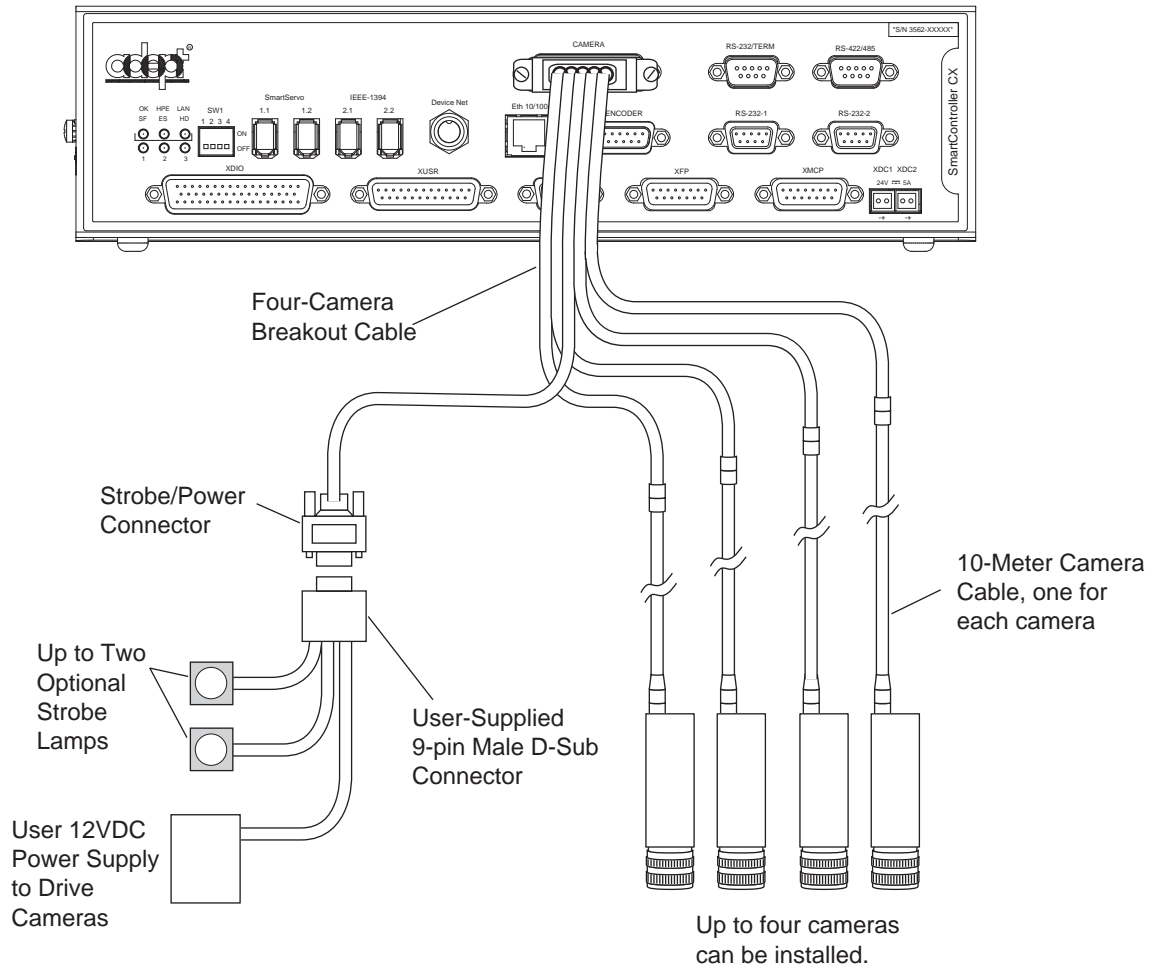


Figure 4-3. Camera Cable Installation Drawing (RS-170)

4.5 Camera Cable Pin and Signal Information

This section provides the pin and signal information for the connectors and cables associated with the AdeptVision product.

- **Table 4-1** describes the Hirose connector on the breakout cables.
- **Table 4-2** describes the Strobe and Power connector on the standard Four-Camera Breakout Cable.
- **Table 4-3** describes the 10-meter camera extension cable.
- **Table 4-4** describes signal information between the 44-pin connector and the camera connectors for the two-camera breakout cable.
- **Table 4-5** describes signal information between the 44-pin connector and the camera and strobe/power connectors for the four-camera breakout cable. The table is organized by camera number.
- **Table 4-6** contains information similar to **Table 4-5**, but it is organized numerically by the 44-pin connector.

Table 4-1. Breakout Cable Camera Connector Pin Assignments (RS-170)

Pin	Function	Notes
1	Power return	
2	+12V power	to camera
3	Shield (video)	
4	Video	from camera
5	Shield (Hd)	
6	Hd (horizontal drive)	to camera
7	Vd (vertical drive)	to camera
8	Shield (Clock)	from camera (camera 1 & 2 only)
9	Clock	from camera (camera 1 & 2 only)
10	not connected	
11	not connected	
12	Shield (Vd)	
12-Pin Hirose Female Jack, HR10A-10J-12S		
This connector will normally be connected to the camera using a 10-meter camera extension cable.		
For special applications, this connector will mate with a Hirose Male Plug HR10A-10P-12P (user-supplied) or similar plug. See Figure 4-4 for pin locations.		

Table 4-2. Standard Breakout Cable Strobe and Power Connector Pin Assignments

Pin	Function	Notes
1	User +12 VDC to cameras	
2	User power return (Gnd)	
3	Strobe 1	
4	Strobe return (Gnd)	
5	Strobe 2	
6	Reserved	
7	Reserved	
8	Reserved	
9	Shield (chassis ground)	
9-Pin D-Sub Female Receptacle		

Table 4-3. Adept 10-Meter Camera Cable Pin Assignments

Pin # at controller end (male)	Function	Notes	Wire Color (typical)	Pin # at camera end, (female)
1	Power return		gray	1
2	+12V power	to camera	yellow	2
3	Shield (video)		red-shield	3
4	Video	from camera	red-signal	4
5	Shield (Hd)		orange-shield	5
6	Hd (horizontal drive)	to camera	orange-signal	6
7	Vd (vertical drive)	to camera	black-signal	7
8	Shield (Clock)	from camera (cam. 1 & 2 only)	white-shield	8
9	Pixel clock	from camera (cam. 1 & 2 only)	white-signal	9
10	not used	reserved	brown	10
11	not used	reserved	blue	11
12	Shield (Vd)		black-shield	12

- Connector at controller end: 12-Pin Hirose Male, HR10A-10P-12P, with ground terminal lug (shield). See [Figure 4-4](#) for pin locations.
- Connector at camera end: 12-Pin Hirose Female, HR10A-10P-12S.
- Cable specifications: 12 conductors, including 4 coax pairs, 4 discrete conductors, and overall shield. At each end the shield is clamped to connector body.

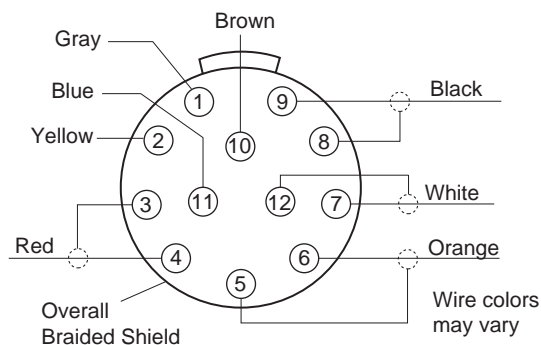


Figure 4-4. Pin Locations for Camera Cable Connector (12-Pin Hirose Male)

Table 4-4. Two-Camera Breakout Cable Pin Assignments

From:	Pin	To:	Pin	Function
AVI	8	CAM1	1	Power return
AVI	7	CAM1	2	+12V power
AVI	12	CAM1	3	Shield (video)
AVI	42	CAM1	4	Video
AVI	38	CAM1	5	Shield (Hd)
AVI	36	CAM1	6	Hd (horizontal drive)
AVI	37	CAM1	7	Vd (vertical drive)
AVI	38	CAM1	8	Shield (Clock)
AVI	22	CAM1	9	Clock
--	--	CAM1	10	not connected
--	--	CAM1	11	not connected
AVI	38	CAM1	12	Shield (Vd)
AVI	6	CAM2	1	Power return
AVI	5	CAM2	2	+12V power
AVI	43	CAM2	3	Shield (video)
AVI	29	CAM2	4	Video
AVI	35	CAM2	5	Shield (Hd)
AVI	34	CAM2	6	Hd (horizontal drive)
AVI	19	CAM2	7	Vd (vertical drive)
AVI	35	CAM2	8	Shield (Clock)
AVI	20	CAM2	9	Clock
--	--	CAM2	10	not connected
--	--	CAM2	11	not connected
AVI	35	CAM2	12	Shield (Vd)
<p>Note that this cable provides 12VDC (fused 1A max) to the cameras from the Adept controller. The fuse is not user replaceable. If the total current required by the two cameras exceeds 1A, this cable should not be used.</p>				

Table 4-5. Four-Camera Breakout Cable Pin Assignments

From:	Pin	To:	Pin	Function
Str/Pwr	2	CAM1	1	Power return
Str/Pwr	1	CAM1	2	+12V power
AVI	12	CAM1	3	Shield (video)
AVI	42	CAM1	4	Video
AVI	38	CAM1	5	Shield (Hd)
AVI	36	CAM1	6	Hd (horizontal drive)
AVI	37	CAM1	7	Vd (vertical drive)
AVI	38	CAM1	8	Shield (Clock)
AVI	22	CAM1	9	Clock
--	--	CAM1	10	not connected
--	--	CAM1	11	not connected
AVI	38	CAM1	12	Shield (Vd)
Str/Pwr	2	CAM2	1	Power return
Str/Pwr	1	CAM2	2	+12V power
AVI	43	CAM2	3	Shield (video)
AVI	29	CAM2	4	Video
AVI	35	CAM2	5	Shield (Hd)
AVI	34	CAM2	6	Hd (horizontal drive)
AVI	19	CAM2	7	Vd (vertical drive)
AVI	35	CAM2	8	Shield (Clock)
AVI	20	CAM2	9	Clock
--	--	CAM2	10	not connected
--	--	CAM2	11	not connected
AVI	35	CAM2	12	Shield (Vd)
Str/Pwr	2	CAM3	1	Power return
Str/Pwr	1	CAM3	2	+12V power
AVI	14	CAM3	3	Shield (video)
AVI	44	CAM3	4	Video
AVI	33	CAM3	5	Shield (Hd)
AVI	32	CAM3	6	Hd (horizontal drive)
AVI	18	CAM3	7	Vd (vertical drive)
--	--	CAM3	8	not connected
--	--	CAM3	9	not connected
--	--	CAM3	10	not connected
--	--	CAM3	11	not connected
AVI	33	CAM3	12	Shield (Vd)
Str/Pwr	2	CAM4	1	Power return
Str/Pwr	1	CAM4	2	+12V power
AVI	12	CAM4	3	Shield (video)

Table 4-5. Four-Camera Breakout Cable Pin Assignments (Continued)

From:	Pin	To:	Pin	Function
AVI	42	CAM4	4	Video
AVI	38	CAM4	5	Shield (Hd)
AVI	36	CAM4	6	Hd (horizontal drive)
AVI	37	CAM4	7	Vd (vertical drive)
--	38	CAM4	8	not connected
--	22	CAM4	9	not connected
--	--	CAM4	10	not connected
--	--	CAM4	11	not connected
AVI	17	CAM4	12	Shield (Vd)
--	--	Str/Pwr	1	User +12 V to cameras
--	--	Str/Pwr	2	User power return
AVI	26	Str/Pwr	3	Strobe 1
AVI	11	Str/Pwr	4	Strobe return
AVI	39	Str/Pwr	5	Strobe 2
AVI	11	Str/Pwr	6	Reserved
AVI	40	Str/Pwr	7	Reserved
AVI	11	Str/Pwr	8	Reserved
AVI	--	Str/Pwr	9	Shield (chassis ground)
Note that this cable provides user-supplied 12VDC to the cameras obtained from the Strobe and Power connector.				

Table 4-6. Four-Camera Breakout Cable Pin Assignments

From:	Pin	To:	Pin	Function
Str/Pwr	1	CAM1	2	+12V power
Str/Pwr	1	CAM2	2	+12V power
Str/Pwr	1	CAM3	2	+12V power
Str/Pwr	1	CAM4	2	+12V power
Str/Pwr	2	CAM1	1	Power return
Str/Pwr	2	CAM2	1	Power return
Str/Pwr	2	CAM3	1	Power return
Str/Pwr	2	CAM4	1	Power return
AVI	--	Str/Pwr	9	Shield (chassis ground)
AVI	11	Str/Pwr	4	Strobe return
AVI	11	Str/Pwr	6	Reserved
AVI	11	Str/Pwr	8	Reserved
AVI	12	CAM1	3	Shield (video)
AVI	14	CAM3	3	Shield (video)
AVI	15	CAM4	4	Video
AVI	16	CAM4	6	Hd (horizontal drive)
AVI	17	CAM4	5	Shield (Hd)
AVI	17	CAM4	12	Shield (Vd)
AVI	18	CAM3	7	Vd (vertical drive)
AVI	19	CAM2	7	Vd (vertical drive)
AVI	20	CAM2	9	Clock
AVI	22	CAM1	9	Clock
AVI	26	Str/Pwr	3	Strobe 1
AVI	29	CAM2	4	Video
AVI	30	CAM4	3	Shield (video)
AVI	31	CAM4	7	Vd (vertical drive)
AVI	32	CAM3	6	Hd (horizontal drive)
AVI	33	CAM3	5	Shield (Hd)
AVI	33	CAM3	12	Shield (Vd)
AVI	34	CAM2	6	Hd (horizontal drive)
AVI	35	CAM2	5	Shield (Hd)
AVI	35	CAM2	8	Shield (Clock)
AVI	35	CAM2	12	Shield (Vd)

Table 4-6. Four-Camera Breakout Cable Pin Assignments (Continued)

From:	Pin	To:	Pin	Function
AVI	36	CAM1	6	Hd (horizontal drive)
AVI	37	CAM1	7	Vd (vertical drive)
AVI	38	CAM1	5	Shield (Hd)
AVI	38	CAM1	8	Shield (Clock)
AVI	38	CAM1	12	Shield (Vd)
AVI	39	Str/Pwr	5	Strobe 2
AVI	40	Str/Pwr	7	Reserved
AVI	42	CAM1	4	Video
AVI	43	CAM2	3	Shield (video)
AVI	44	CAM3	4	Video
Note that this cable provides user-supplied 12V dc to the cameras obtained from the Strobe and Power connector, not from the Adept controller.				

4.6 sAVI Board Specifications

Table 4-7. Technical Specifications¹

Electrical Power Consumption				
Voltage	Avg Current (A)	Avg Power (W)	Max Current (A)	Max Power (W)
+3.3 V	0	0	0	0
+5V	1.4	7	2.0	10
+12 V	0.08*	1.0*	0.11*	1.3*
-12 V	0.06	0.7	0.09	1.1

*assumes no current drawn from +12 V pins of DB44 connector

¹ Specifications subject to change.

5.1 Changing the Lamp in the High Power Indicator

The system is equipped with circuitry to detect the potentially dangerous condition of a burned out High Power indicator on the Front Panel. If this lamp is burned out, you cannot enable High Power until the lamp has been replaced. Follow this procedure to replace the High Power indicator bulb. The Adept part number for lamp is 27400-29006.

1. Turn off system power to the SmartController.
2. Disconnect the cable between the Front Panel and the SmartController.
3. Remove the Front Panel from its mounting location.
4. Remove the two screws on the back of the Front Panel.
5. Carefully pull the front cover away from the body of the Front Panel. You will encounter some resistance as there are three plug-type connectors that you need to disconnect as you pull the front cover away from the body.

NOTE: Separate the cover from the body slowly to avoid damaging the two wires that go between the LED and the PC board inside the body. Pull the front cover as straight away as possible. You do not have to disconnect the wires from the PC board, although you can if needed.

6. Locate the lamp body in the center of the back side of the front cover. Turn the lamp body approximately 20° in either direction and then pull straight back.
7. The lamp body is now free. You can remove the old lamp and insert a new one.
8. Replace the lamp body by pushing it straight into the lamp housing receptacle. Make sure the contacts on the lamp body are properly oriented. See [Figure 5-1 on page 86](#).
9. Make sure to reconnect the wires from the LED if you disconnected them earlier. Push the front cover into the body, taking care to align all of the plug-type connectors. Verify that the wires do not get crimped as you reinstall the cover.
10. Replace the two screws on the back of the body.
11. Reinstall the Front Panel in its mounting.
12. Reconnect the cable between the Front Panel and the SmartController.

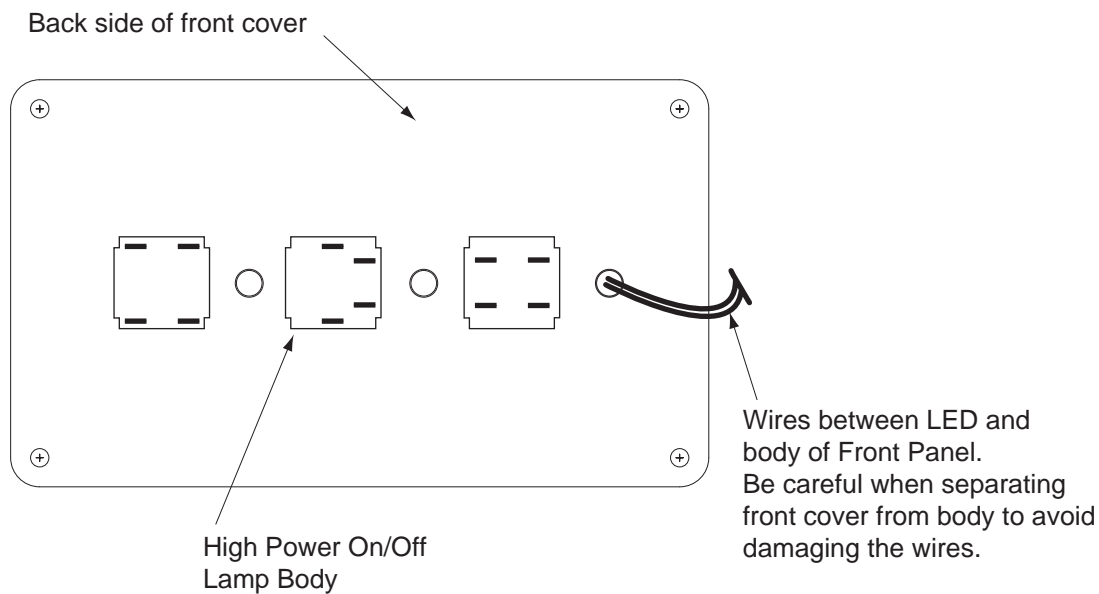


Figure 5-1. Lamp Body Contact Alignment

Technical Specifications

6

This chapter shows the dimensions of the SmartController, sDIO, Adept Front Panel, and MCP.

6.1 SmartController Dimensions

This section shows the dimensions of the SmartController. The dimensions for the CS and CX models are the same.

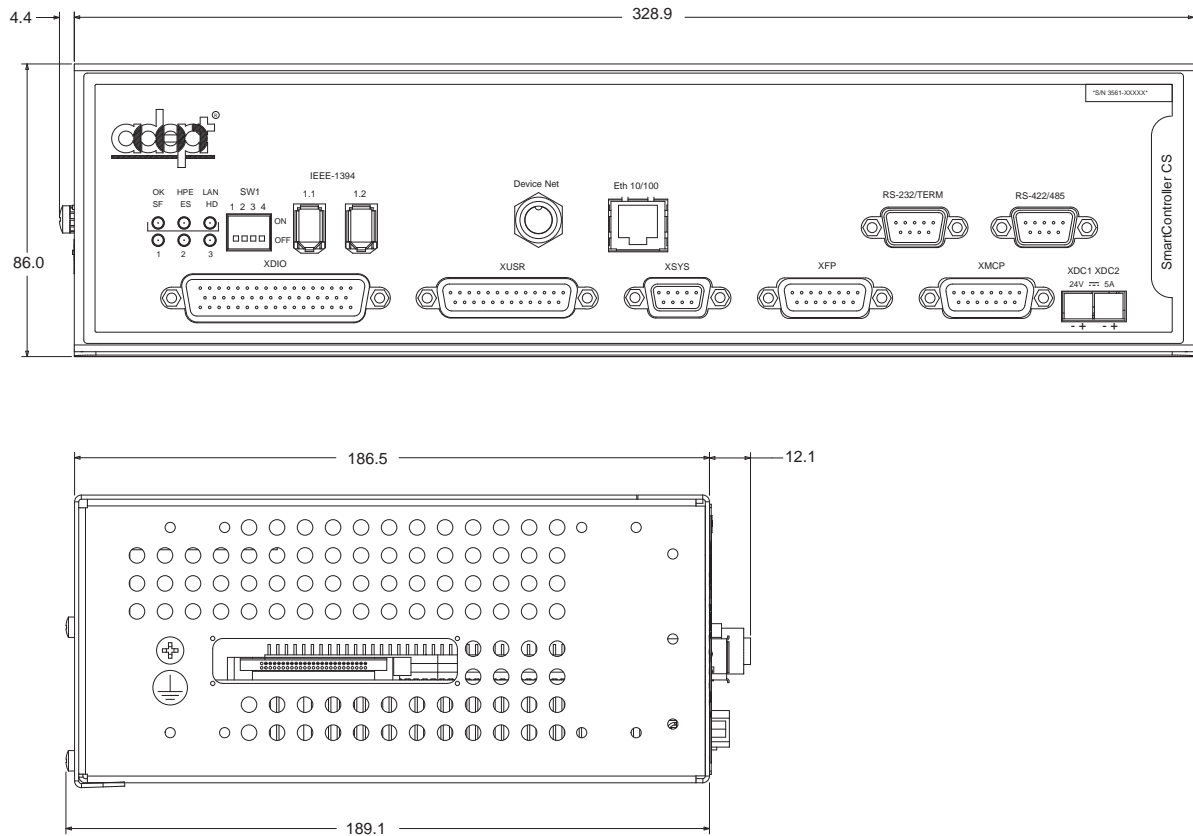


Figure 6-1. SmartController Dimensions

6.2 sDIO Dimensions

This section shows the dimensions of the sDIO module.

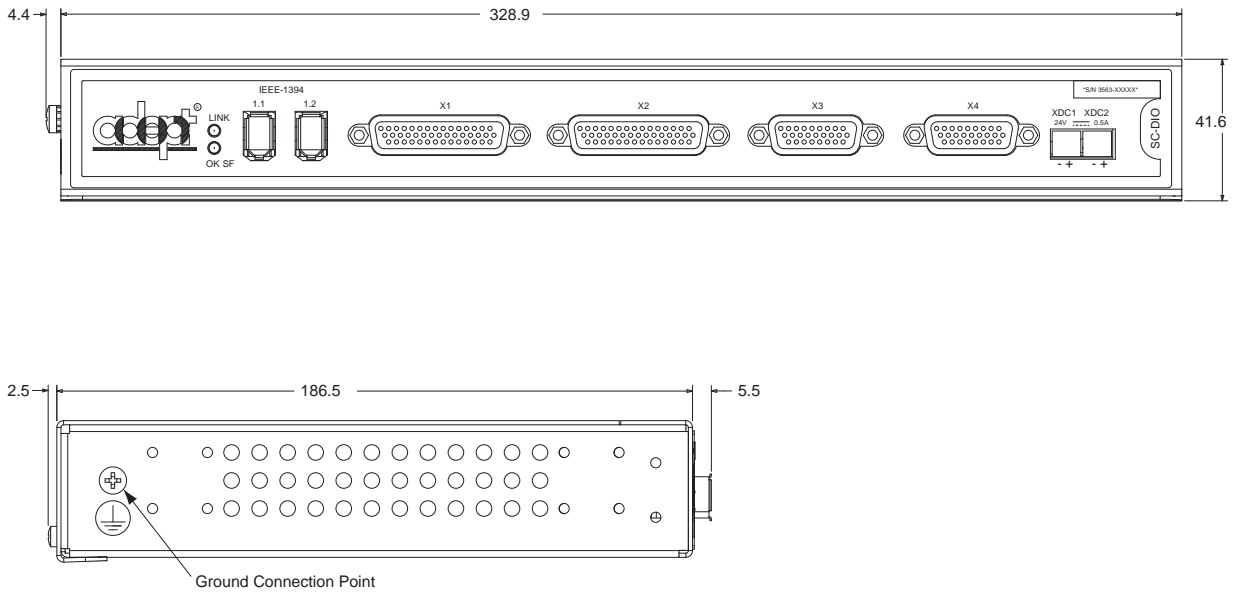


Figure 6-2. sDIO Dimensions

6.3 Adept Front Panel Dimensions

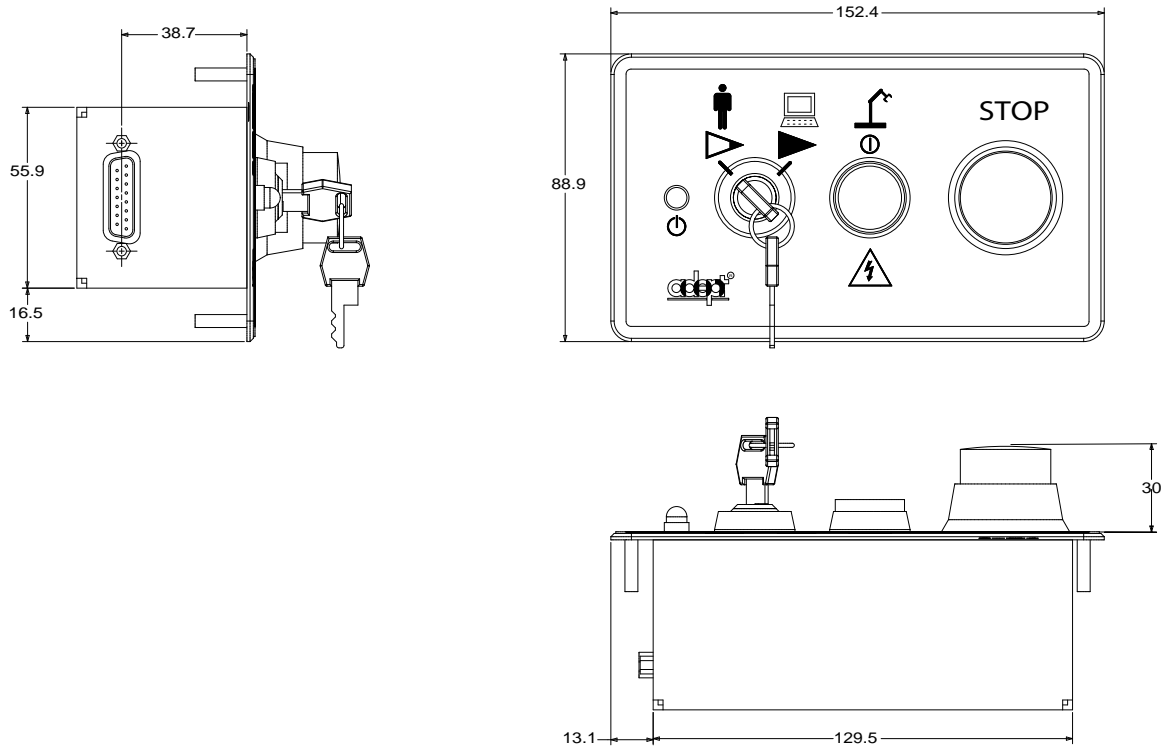


Figure 6-3. Adept Front Panel Dimensions

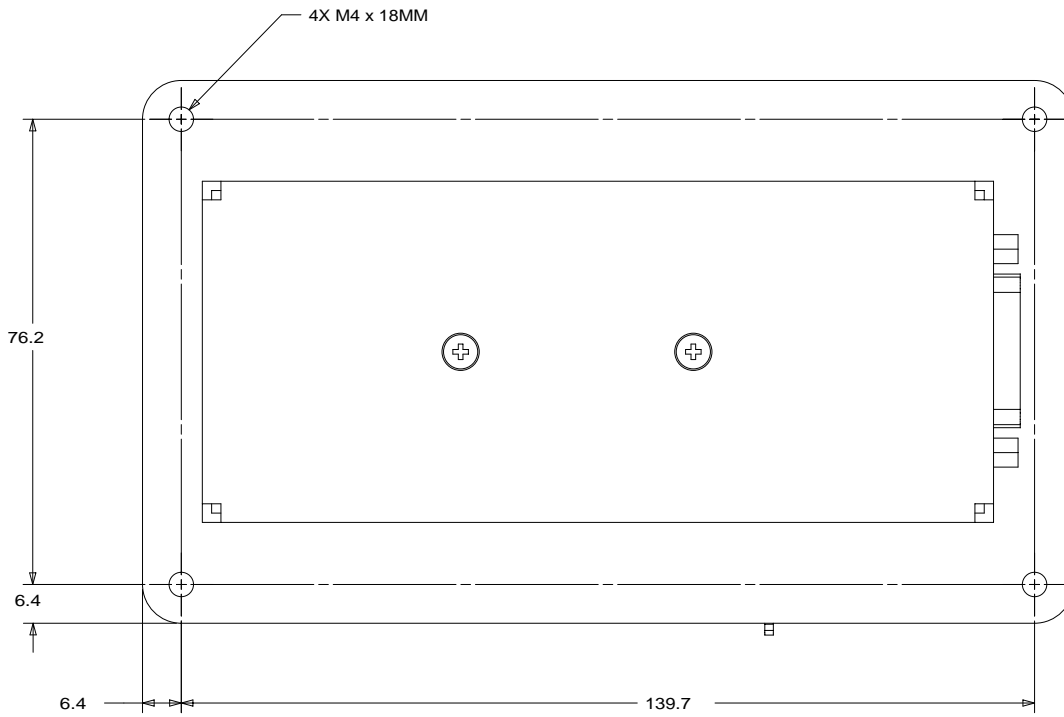


Figure 6-4. Adept Front Panel Back View

6.4 Adept MCP Dimensions

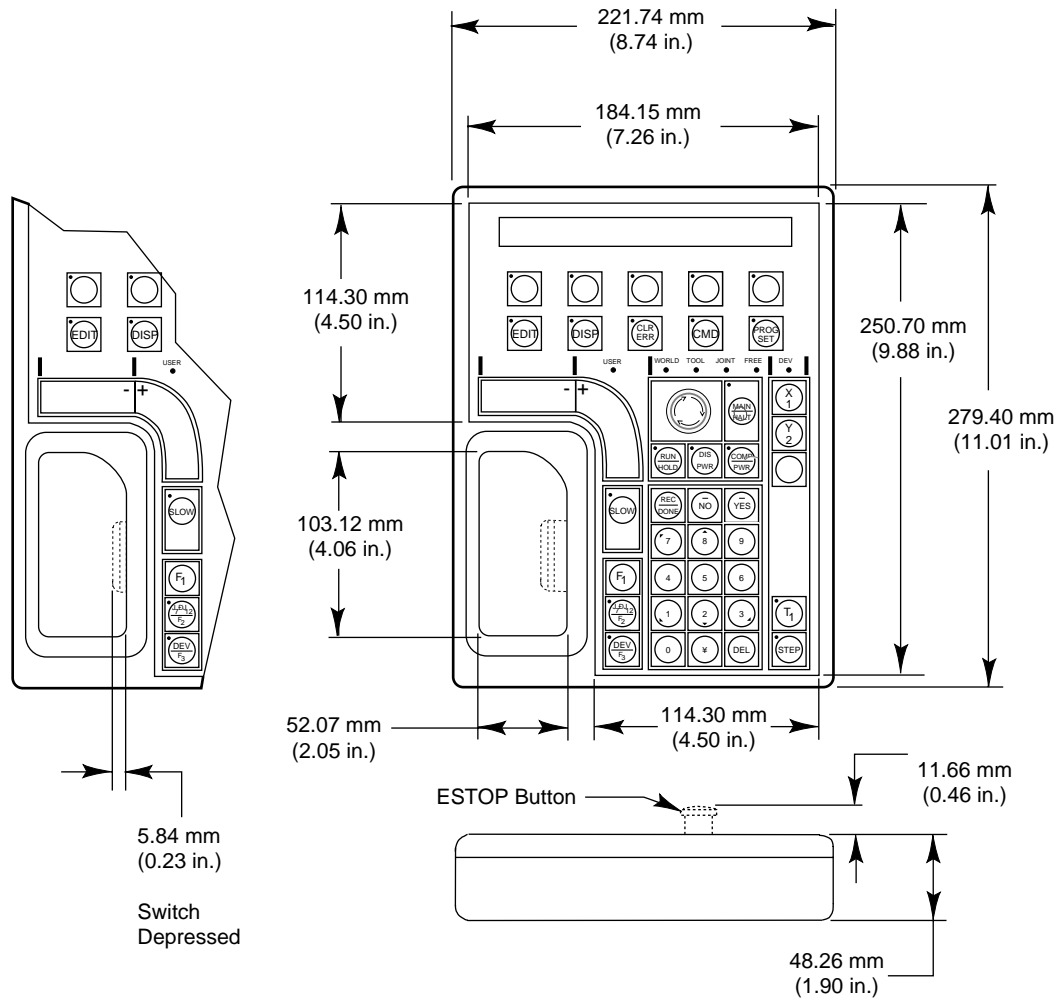


Figure 6-5. MCP Dimensions

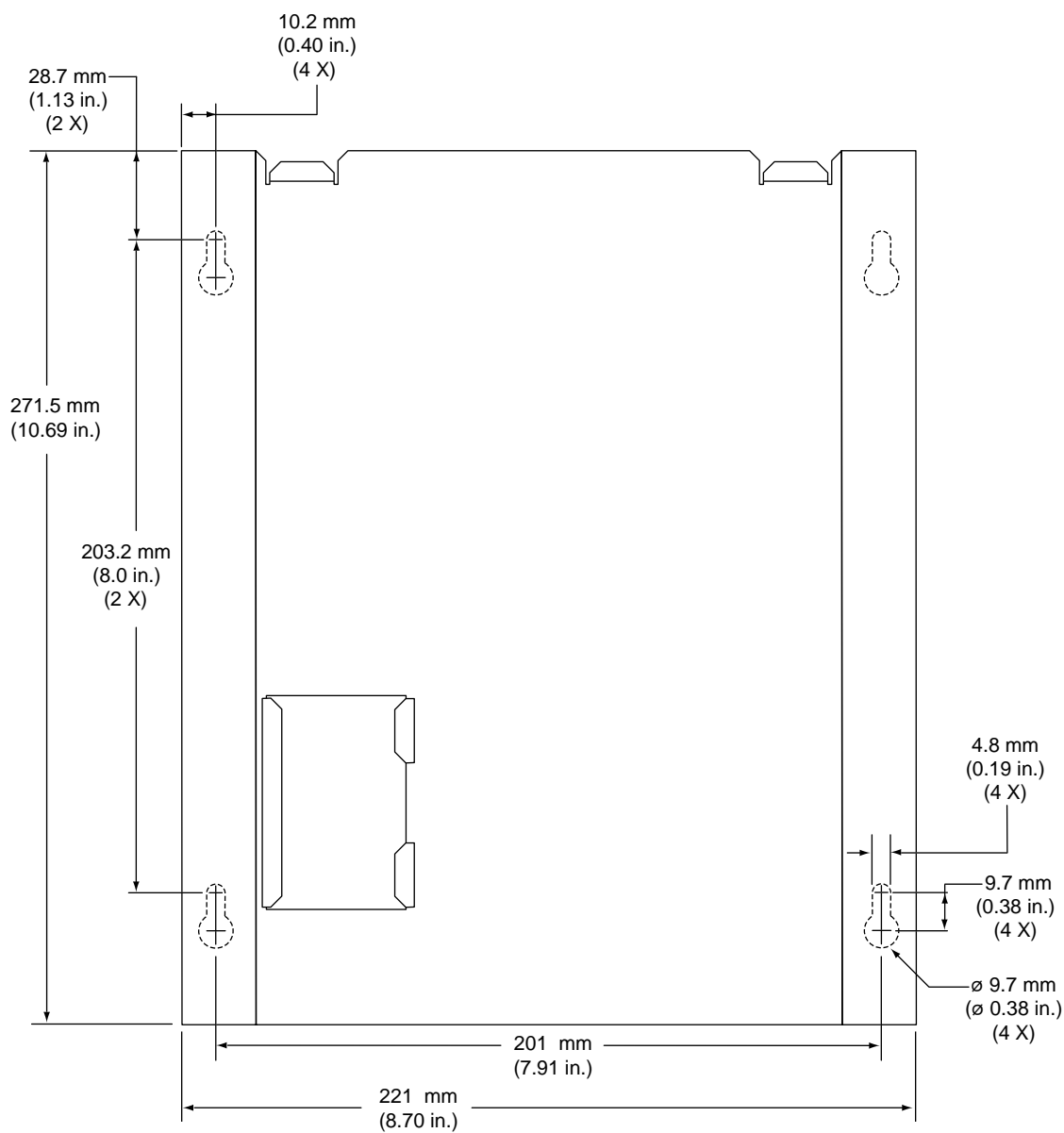


Figure 6-6. MCP Cradle Dimensions

sDIO Module

The sDIO expansion module provides 32 optically isolated digital inputs and 32 optically isolated outputs and also includes an IEEE 1394 interface.

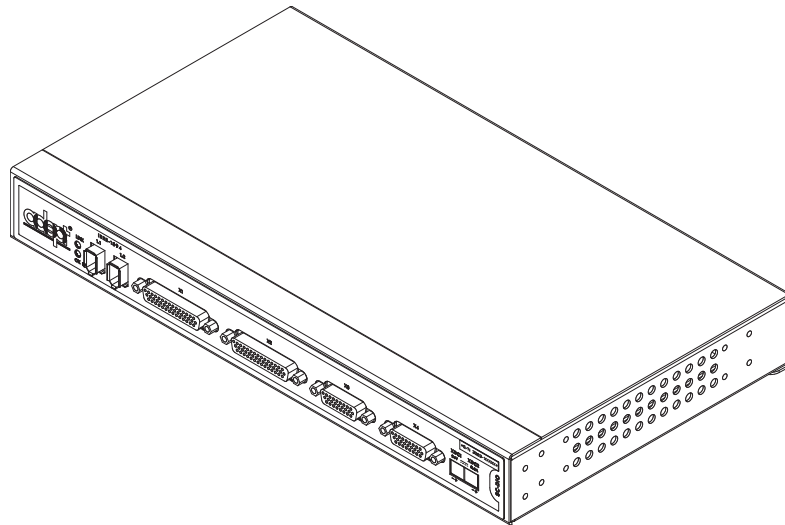


Figure A-1. sDIO Module

A.1 Mounting the sDIO

The following mounting options are available for the sDIO:

- Rack mounting
- Panel mounting
- Table mounting

In addition, the SmartController and sDIO can be stack mounted on top of each other. See the sections below for information on mounting the sDIO.

NOTE: To maintain compliance with EN 60204 in European installations, the mounting of the controller and all terminations at the controller must be performed in accordance with this standard.

Rack Mounting the sDIO

To rack mount the sDIO module in a standard 19-inch equipment rack, you must first install the mounting brackets (see **Figure A-2**) on each side of the unit. These brackets must be ordered separately, they do not come with the sDIO.

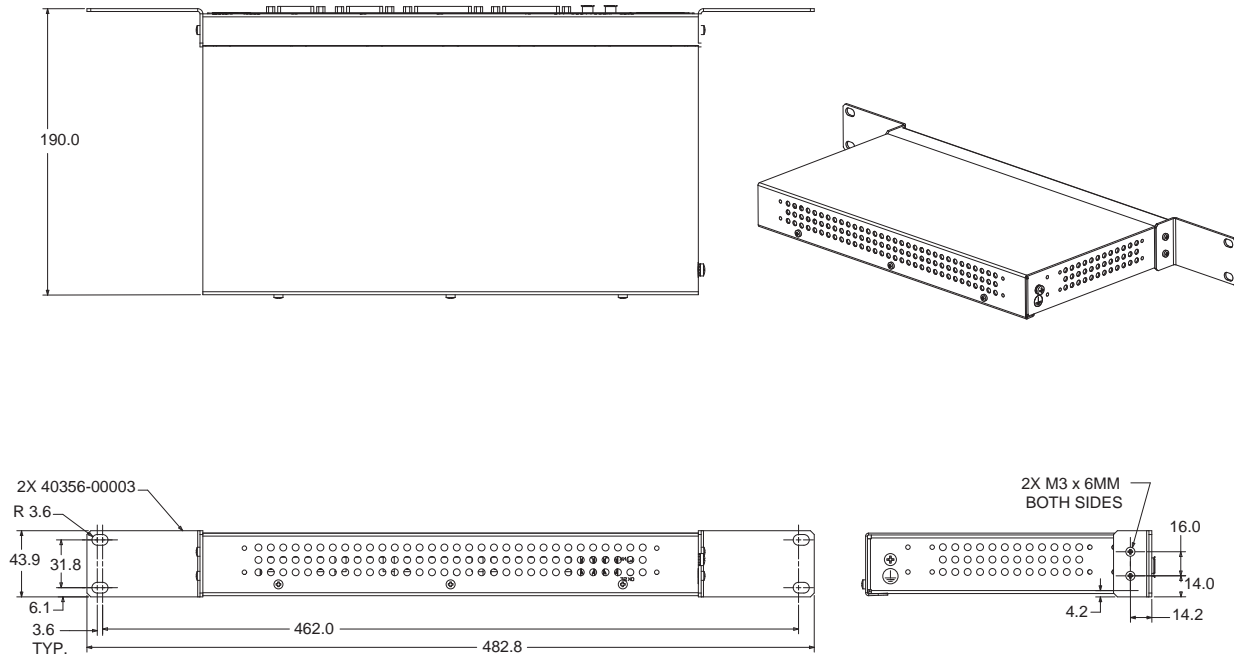


Figure A-2. Rack Mounting the sDIO

Panel Mounting the sDIO

To panel mount the sDIO, install one bracket on each side of the back of the unit. Use the screws from the accessories kit; see [Figure A-3](#).

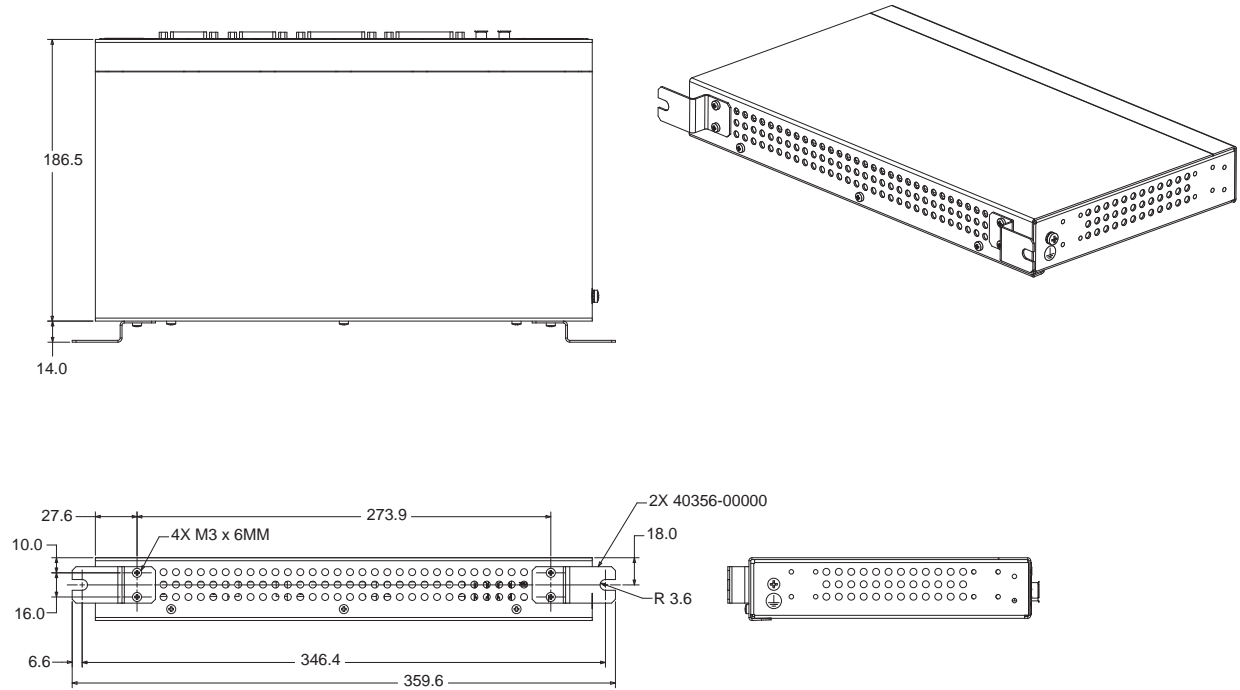


Figure A-3. Panel Mounting the sDIO

Table Mounting the sDIO

To table mount the sDIO, install two brackets on each side near the bottom of the unit. Use the screws from the accessories kit; see [Figure A-4](#).

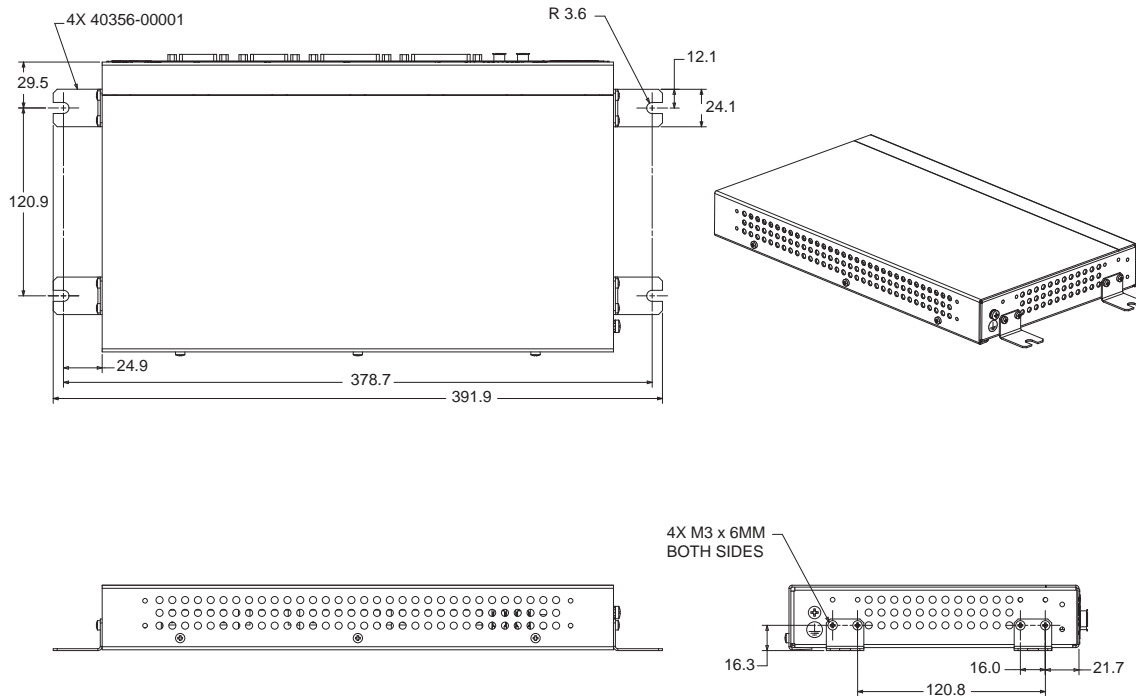


Figure A-4. Table Mounting the sDIO

Stack Mounting

See the [“Stacking Components” section on page 28](#) for information on stack mounting the sDIO and SmartController.

A.2 Installing the sDIO

The following procedure details the steps required to successfully install the sDIO.

To install the sDIO module:

1. Remove the sDIO module from its box and set it up near the robot or mount it as described in [“Mounting the sDIO” on page 93](#).
2. Ensure that the 24VDC input power to the SmartController is disengaged.
3. Connect a 24VDC cable from the XDC2 port on the SmartController to the XDC1 port on the sDIO. Continue to daisy-chain the input power from each sDIO to the next. See [“Connecting Power” on page 30](#) for cabling requirements.

NOTE: European installations must be in accordance with the EN60204 standard.

4. Connect an IEEE 1394 cable from one of the SmartServo ports (1.1 or 1.2) on the SmartController to one of the IEEE 1394 ports on the sDIO. Continue to daisy-chain the IEEE 1394 power from each sDIO to the next.



WARNING: Remove power from the SmartController before plugging in or unplugging any IEEE-1394 cables to SmartServo IEEE-1394 connectors. Failure to remove power could result in unpredictable behavior by the system.

5. Connect the 24 VDC input power to the SmartController.
6. Connect a user-supplied ground wire to earth ground.

A.3 Configuring a Single sDIO

The SmartController is preconfigured to support one sDIO module. Its configuration is based upon an I/O block assignment method that uses 4 bytes per block and 8 signals per byte. Thus, each byte within a block represents an eight signal range of I/O.

Block numbers for general digital I/O can range from 16 to 31; the default is 16. Input blocks and output blocks are numbered independently so you can use the same number for both an input and an output block. You must be sure that the block number you specify is not used for the same type of block in any other sDIO module or RIO in your system.

Default sDIO I/O Configuration

A single sDIO module can be used with the default I/O signal configuration and no additional configuration is required. The following signal groups are predefined for use:

- Input signals 1033 to 1064
- Output signals 0033 to 0064

The default configuration consists of the settings shown in [Table A-1](#).

Table A-1. Default I/O Configuration for sDIO

Input Signal Numbers	Block	Byte		Output Signal Numbers	Block	Byte
1033 to 1040	16	1		0033 to 0040	16	1
1041 to 1048	16	2		0041 to 0048	16	2
1049 to 1056	16	3		0049 to 0056	16	3
1057 to 1064	16	4		0057 to 0064	16	4

Modifying the Default sDIO Configuration

The *CONFIG_C.V2* utility file is used to define the sDIO memory block and I/O signal mappings. This file contains the main program A.CONFIG_C and is located on the CompactFlash in the \UTIL\ directory. See the *Instructions for Adept Utility Programs* manual for instruction on loading and executing this utility. You can check how block numbers are assigned by using the SRV.NET monitor command.

NOTE: Blocks 1-15 are typically reserved for robot signals. Blocks 1-6 are preconfigured for Robots 1-6 for the 3000 series hand control signals, including the signals used by the V+ OPEN, OPENI, CLOSE, CLOSEI, RELAX, RELAXI statements. See the V+ documentation for more details about these statements.

In the following situations you must go through a configuration process to modify the sDIO modules:

- when you have more than one sDIO module.
- when you choose not to use the default I/O configuration (block 16)
- when you have a RIO device in your system. (See [page 103](#).)

NOTE: The first sDIO can use the default configuration; each additional sDIO must be assigned unique block numbers, between 16 and 31.

In these cases you will use CONFIG_C.V2 to select the block number and to assign the Input and Output signals.

Assigning sDIO Signal Blocks

1. Load and Execute the CONFIG_C.V2 utility
2. Select Option 6.

6 - Configure 1394 DIO

Then, press ENTER to continue.

3. Select Option 1.

1 - Configure 1394 DIO

Then, press ENTER to continue.

4. The system will then report specific information about the first sDIO that it recognized. Identify the sDIO with the OK LED flashing green and red. This is the recognized sDIO. Type **N** to select another sDIO for systems with multiple sDIOs or type **Y** to configure the recognized sDIO at the following prompt.

Do you want to configure this board?

Then, press ENTER to continue.

5. Type **N** at the following prompt.

Attached controller 0. Change this value?

Then, press ENTER to continue.

6. Type **Y** at the following prompt.

Digital input block: 16 Change this value?

Then, press ENTER to continue.

7. Enter a new value for the input block at the following prompt.

Enter new value:

Then, press ENTER to continue.

8. Type **Y** at the following prompt.

Digital output block: 16 Change this value?

Then, press ENTER to continue.

9. Enter a new value for the output block number at the following prompt.

Enter new value:

Then, press ENTER to continue.

10. Type **Y** at the final prompt.

Do you want to save these changes?

Then, press ENTER to continue.

After selecting block numbers, you must assign groups of signal numbers to each block.

NOTE: You must select a unique block number for the Inputs and Outputs of each sDIO in your system. Repeat the procedure above for each sDIO.

Assigning I/O Signal Numbers

The I/O signal number ranges are valid for the sDIO:

- Inputs 1033 to 1512
- Outputs 0033 to 0512

You will need to perform the follow steps to assign I/O signals to specific blocks, if you choose a block other than 16.

1. Load and Execute the CONFIG_C.V2 utility.
2. Select option 2.

2 - V+ System Configuration Data

Then, press ENTER to continue.

3. Select option 2.

2 - Edit system configuration

Then, press ENTER to continue.

4. Select either option 5 or option 6:

5 - Change DIGITAL_INPUT configuration

or

6 - Change DIGITAL_OUTPUT configuration

Then, press ENTER to continue.

5. The program will step you through the process of adding a new statement to assign the appropriate I/O signals to a block, and then to a byte (1 to 4) within a block. With the sDIO, the first 8 input channels are mapped to byte 1, the second 8 input channels to byte 2, and so on. See [sDIO Signal Mapping Example 1](#). Using this process, you must assign groups of signal numbers to bytes 1 to 4 for each block. See the [sDIO Signal Mapping Example 2](#) for the input settings of a system with two sDIO modules. When you are done editing the I/O choose not to add a new statement.
6. Save the changes, if you are satisfied with your choices.
7. Continue to select 0 to return through the higher menus. Select 0 once more to exit to the system monitor.
8. Disconnect your AdeptWindowsPC or serial communication session to the SmartController.
9. Cycle the 24VDC input power to the sDIO.
10. Cycle the 24VDC input power to the SmartController.
11. Reconnect your AdeptWindowsPC or serial communication session to the SmartController.

sDIO Signal Mapping Example 1

The following example shows the mapping of SIGNAL 1065 to Input_Block 17 and Input_Byte 1.

```
Add a new statement (Y/N)? y
    1: POS_LATCH
    2: VIS_TRIGGER
    3: SIGNAL

Enter number of keyword for new statement: 3
SIGNAL          : Value = 1001 (min = 1001, max = 1505): 1065
/INPUT_BLOCK    : Value = 0 (min = 0, max = 31): 17
/INPUT_BYTE     : Value = 1 (min = 1, max = 4): 1
  /IO_OPTIONAL  : Value = NO
                  1 > NO
                  2 > YES
                  Enter selection: 1

SIGNAL 1065 = "/INPUT_BLOCK 17/INPUT_BYTE 1 /IO_OPTIONAL NO"
```

sDIO Signal Mapping Example 2

This example shows a sample configuration of the Input signals for two sDIO modules. The first sDIO uses default block 16 and is configured as shown. The second sDIO is configured so that signals 1065 to 1098 are assigned as shown. Notice the signal numbers are in groups of eight per byte.

```
SIGNAL 1033 = "/INPUT_BLOCK 16 /INPUT_BYTE 1 /IO_OPTIONAL YES"
SIGNAL 1041 = "/INPUT_BLOCK 16 /INPUT_BYTE 2 /IO_OPTIONAL YES"
SIGNAL 1049 = "/INPUT_BLOCK 16 /INPUT_BYTE 3 /IO_OPTIONAL YES"
SIGNAL 1057 = "/INPUT_BLOCK 16 /INPUT_BYTE 4 /IO_OPTIONAL YES"
SIGNAL 1065 = "/INPUT_BLOCK 17 /INPUT_BYTE 1 /IO_OPTIONAL YES"
SIGNAL 1073 = "/INPUT_BLOCK 17 /INPUT_BYTE 2 /IO_OPTIONAL YES"
SIGNAL 1081 = "/INPUT_BLOCK 17 /INPUT_BYTE 3 /IO_OPTIONAL YES"
SIGNAL 1089 = "/INPUT_BLOCK 17 /INPUT_BYTE 4 /IO_OPTIONAL YES"
```

Output signals are assigned in a corresponding manner. See [CONFIG_C](#) program in the *Instructions for Adept Utility Programs* for more information on this topic.

A.4 Using Multiple sDIO Modules

Additional sDIO modules can be added to a system. The recommended maximum is four sDIO modules for a SmartController CS system and eight sDIO modules in a CX. See [Figure A-5](#) for cabling and configuration information. Note that each sDIO must have a unique block number (between 16 and 31) for both the input and output signals.

1. Connect a 24VDC cable from the XDC2 port on sDIO #1 to the XDC1 port on sDIO #2. See the [“Connecting Power” on page 30](#) for cabling requirements.
2. Connect an IEEE 1394 cable from one of the IEEE 1394 ports on sDIO #1 to one of the IEEE 1394 ports on sDIO #2.
3. Execute CONFIG_C and select a block number for sDIO #2. Block 17 is recommended. See [“Modifying the Default sDIO Configuration” on page 98](#) for details on this process.
4. In CONFIG_C, continue to assign groups of signal numbers to bytes 1 to 4 in the block. See [“sDIO Signal Mapping Example 2” on page 101](#).
5. Repeat steps 1 to 4 for each additional sDIO module.
6. Exit CONFIG_C and reboot the controller.

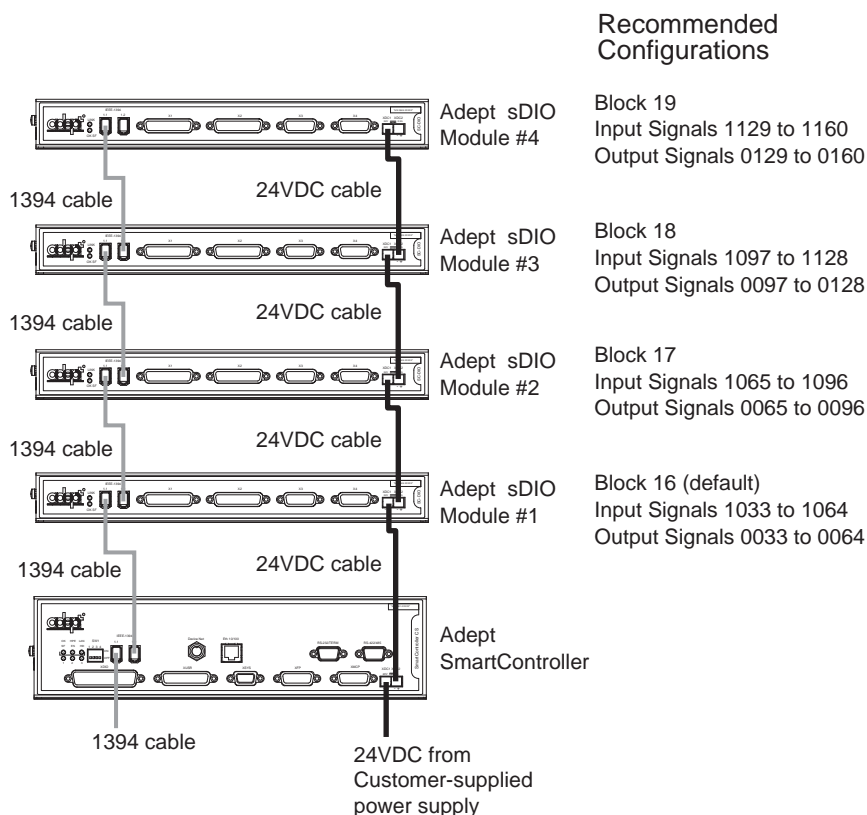


Figure A-5. Using Multiple sDIO Modules

NOTE: When adding additional sDIO modules, each additional sDIO module must be grounded per all applicable regulations.

Configuring a System with an sDIO and a RIO

When a system contains an sDIO module and a RIO, you must use the *DC_SETUP.V2* program to select a block number for the RIO. This is described in the documentation supplied with the RIO. Typically, you would use default block 16 for the sDIO, and select block 17 for the RIO.

Once the RIO block number is selected, then you assign I/O signal numbers for the RIO using the *CONFIG_C.V2* utility. This is the same process as described earlier for the sDIO.

A.5 sDIO Module Connectors and Indicators

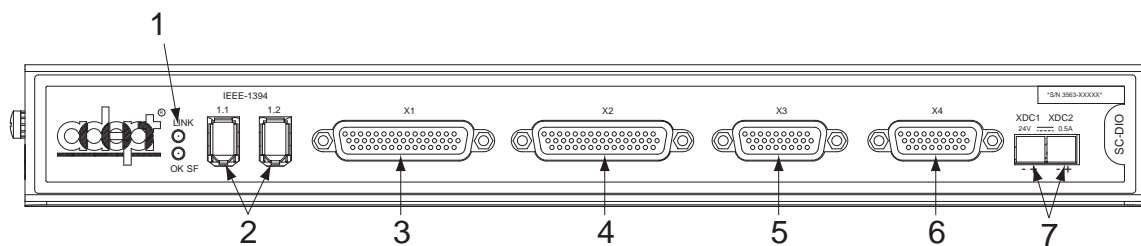


Figure A-6. sDIO

1. Status LEDs.

Two LEDs indicate link status of the IEEE 1394 connection and system status.

LINK: Green LED = communication with another device over IEEE 1394 connection OK.

OK/SF: Red LED = output driver fault detected due to excessive temperature or current (output is automatically shut down), solid green LED = communication with controller OK, blinking green = not configured in software.

2. IEEE 1394 ports:

Connects to one of the SmartServo ports on SmartController or IEEE 1394 ports on additional sDIO units.

3. X1 Output:

44-pin female D-sub connector, for digital output signals 0033-0048.

4. X2 Output:

44-pin female D-sub connector, for digital output signals 0049-0064.

5. X3 Input:

26-pin female D-sub connector, for digital input signals 1033-1048.

6. X4 Input:

26-pin female D-sub connector, for digital input signals 1049-1064.

NOTE: For installations that use two or more sDIO modules, the above signal numbers apply to the signals for the first sDIO. See the V⁺ documentation for information on configuring two or more sDIO modules.

7. Two 24VDC connectors:

Connect power from the XDC2 connector on the SmartController to the XDC1 connector on the sDIO (see the **“Connecting Power”** section on page 30 for power specifications).

A.6 sDIO Digital I/O Signals

The sDIO module's digital I/O signals are 64 optically isolated digital I/O channels (32 output and 32 input). They are wired to connectors X1 through X4, which are located on the front of the sDIO (see [Figure A-6 on page 103](#)). The electrical specifications for the inputs are similar to the XDIO inputs, but have a different wiring configuration. The sDIO inputs cannot be used for REACTI programming, high-speed interrupts, or vision triggers. See the [V+ Language User's Guide](#) for information on digital I/O programming.

NOTE: The signals on the sDIO connectors can be superseded by another sDIO that is installed and addressed as sDIO #1. To use two sDIO modules, address the first as sDIO #1 and the second as sDIO #2.

sDIO Inputs

The 32 input channels are arranged in four groups of eight. Each group is electrically isolated from the other groups and is optically isolated from the sDIO module's circuitry. The eight inputs within each group share a common ground.

The inputs are accessed through the two female 26-pin D-sub input connectors on the front of the sDIO. Each connector provides access to two input groups. Each group requires ten pins, eight input signals, and two ground references. An input is activated by providing a positive potential on its input pin relative to the ground pin of its group. This type of input is considered sinking. That is current must flow into the input pin to turn it on.

Table A-2. sDIO Input Specifications

Operational voltage range	0 to 24VDC
"Off" state voltage range	0 to 3VDC
"On" state voltage range	10 to 24VDC
Typical threshold voltage	$V_{in} = 8VDC$
Operational current range	0 to 6 mA
"Off" state current range	0 to .5 mA
"On" state current range	2 to 6 mA
Typical threshold current	2.5 mA
Impedance (V_{in}/I_{in})	3.9 K Ω minimum
Current at $V_{in} = +24VDC$	$I_{in} \leq 6$ mA
Turn on response time (hardware)	5 μ sec maximum
Software scan rate/response time	16 ms scan cycle/ 32 ms max response time
Turn off response time (hardware)	5 μ sec maximum
Software scan rate/response time	16 ms scan cycle/ 32 ms max response time

NOTE: The input current specifications are provided for reference. Voltage sources are typically used to drive the inputs.

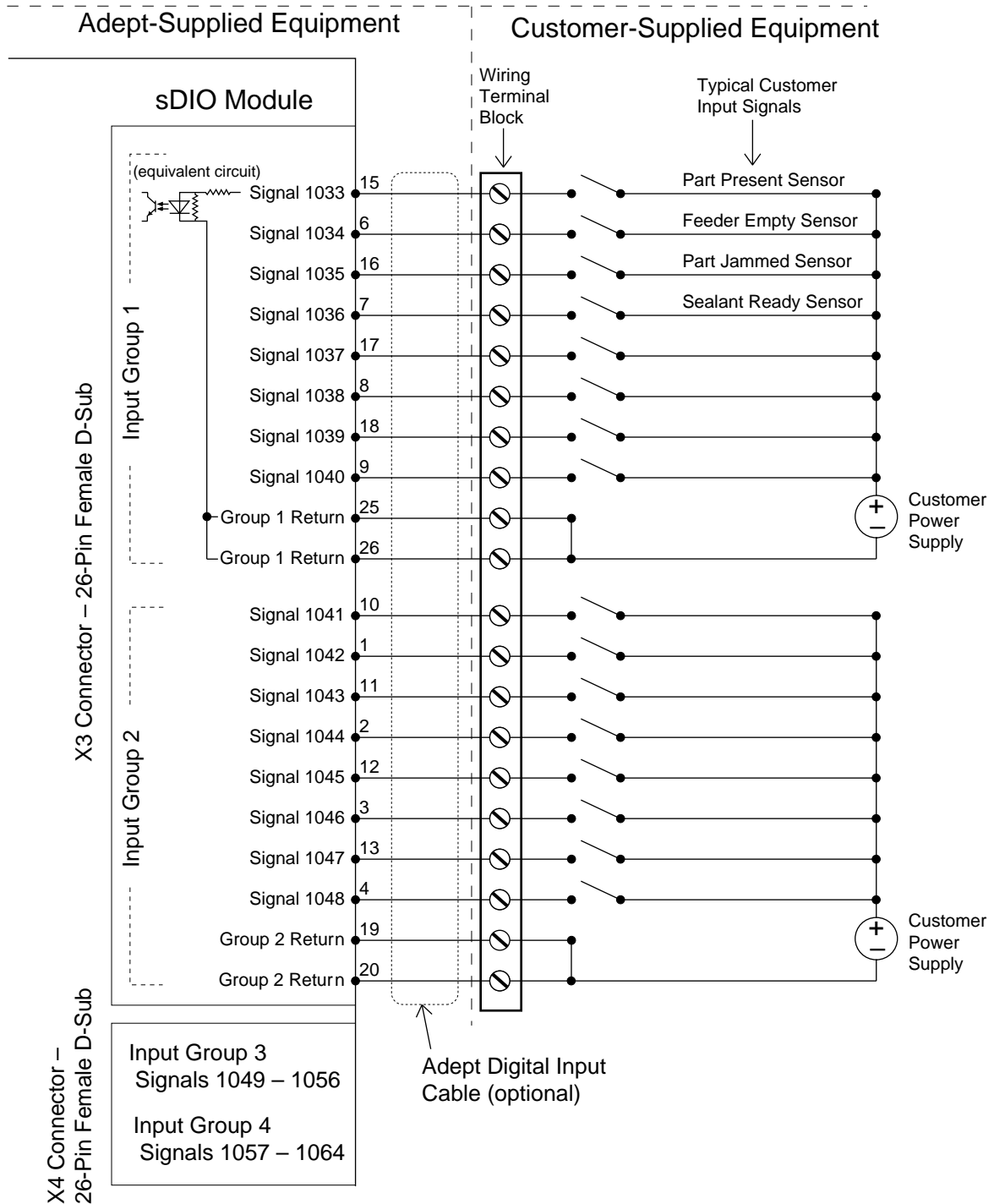


Figure A-7. Typical sDIO Input Wiring

NOTE: The off state current range exceeds the leakage current of sDIO outputs. This guarantees that the inputs will not be turned on by the leakage current from the outputs. This is useful in situations where the outputs are looped-back to the inputs for monitoring purposes.

sDIO Outputs

The 32 output channels are arranged in four groups of eight. Each group is isolated from the other groups and is optically isolated from the sDIO circuitry. The eight outputs within each group share a common power supply and a common ground.

The outputs are accessed through the two female 44-pin D-sub output connectors on the front of the sDIO. Each connector provides access to two output groups. Each group requires 19 pins: 8 output signals, 1 test signal, 9 power supply (all tied together), and 1 power supply ground reference. When an output is on, current will flow in through the power supply pins and out through the output pins. This type of output is considered sourcing, that is, in the “on” condition, current flows out of the output pin. See [Figure A-8 on page 109](#) for details on typical digital output wiring.

Testing sDIO Outputs

Like many solid-state I/O systems, when an output is off, a small leakage current will flow out of the output. This will raise the potential of the output to the power supply voltage level if there is no load. With a load connected, the output will function normally. However, if you need to test the output with a voltmeter with a load disconnected, you will get a false reading. The test signal provides a bias that can be used as a pull-down resistor for system-level troubleshooting. When this is connected to an output, the output will assume the ground potential when it is off.

sDIO LEDs

A pair of two-color LEDs on the sDIO module indicate link status over the IEEE 1394 connection and system status. The upper LED lights green when an IEEE 1394 connection is established. The lower LED blinks green when the software is active and switches to solid green after the controller software has found and configured the DIO block. The lower LED lights solid red whenever an output fault (excessive current or temperature) is detected on any of the 32 outputs. Refer to [Table A-3 on page 107](#) for information about the LEDs and [Figure A-6 on page 103](#) for information on their location.

NOTE: A fault indication is the result of an over-temperature or over-current condition on one or more of the outputs, usually due to a short-circuit condition. As a result, the output driver IC will oscillate on and off as the chip tries to drive the load.

Note that this red fault LED is active only when:

- An extended output (for example, a SIGNAL in the range of 33 to 64) has been turned on by a V⁺ command.
- An activated output has a thermal overload problem, usually due to a short in the user’s wiring from the output pin to the user’s ground.

Table A-3. sDIO Chassis LEDs

Illumination	Upper LED (LINK)	Lower LED (OK SF)
None	No IEEE 1394 link	Local software not running
Blinking Green	Not Applicable	Local software active, not configured in V ⁺
Solid Green	IEEE 1394 link good	Local software active, and configured in V ⁺
Blinking Red	Not Applicable	Output fault
Solid Red	Not Applicable	Output fault

A diagnostic software indicator is not available for the XDIO outputs. In a short circuit condition, the XDIO outputs will simply fold back, supplying the maximum short circuit current to the output pin.

sDIO Output Power Supply Current Selection

The nine power pins for each group are connected together on the sDIO module's board, and the current supplied from the output pins is drawn from these power pins. The number of power pins used in a particular application depends on the total current supplied through that group's outputs. A total of nine power pins are provided to allow for more wire connections to decrease the voltage drop across the power supply wires.

The supply current should be limited to a maximum of one amp per power pin. Use this limitation to select the number of power pins you need.

For example, each output can source up to 700 mA, giving a maximum total current (for a group of eight outputs) of 5.6A that will be required from the power supply. In this case, a minimum of six power pins should be used. If you experience an excessive voltage drop, make connections to additional power pins (to a maximum of nine).

The ground connection should connect to the power supply directly, not the ground connection of the load. This will isolate the board from any voltage drop across the ground return for the load.

Table A-4. sDIO Output Circuit Specifications

Parameter	Value
Power supply voltage range	$10\text{VDC} \leq V_{\text{sup}} \leq 30\text{VDC}$
Under voltage shutdown	$5\text{VDC} \leq V_{\text{usd}} \leq 8\text{VDC}$
Power supply ground current	$I_{\text{g}} \leq 60 \text{ mA}$
Operational current range, per channel	$I_{\text{out}} \leq 700 \text{ mA}$
On state resistance ($I_{\text{out}} = 0.5\text{A}$)	$R_{\text{on}} \leq 0.32\Omega @ 85^\circ\text{C}$ ($R_{\text{on}} 0.4\Omega @ 125^\circ\text{C}$)
Output leakage current	$I_{\text{out}} \leq 25 \mu\text{A}$
Turn on response time	175 $\mu\text{sec.}$ max., 80 μsec typical (hardware only)
Turn off response time	60 $\mu\text{sec.}$ max., 28 μsec typical (hardware only)
Output voltage at inductive load turnoff ($I_{\text{out}} = 0.5\text{A}$, Load = 1 mH)	$(V_{\text{sup}} - 65) \leq V_{\text{demag}} \leq (V_{\text{sup}} - 45)$
DC short circuit current limit	$0.7\text{A} \leq I_{\text{LIM}} \leq 2.5\text{A}$
Peak short circuit current	$I_{\text{ovpk}} \leq 4\text{A}$



CAUTION: The above specs apply only to the output channels on the sDIO. See [Table 3-11 on page 61](#) for specs on the XDIO connectors digital output channels.

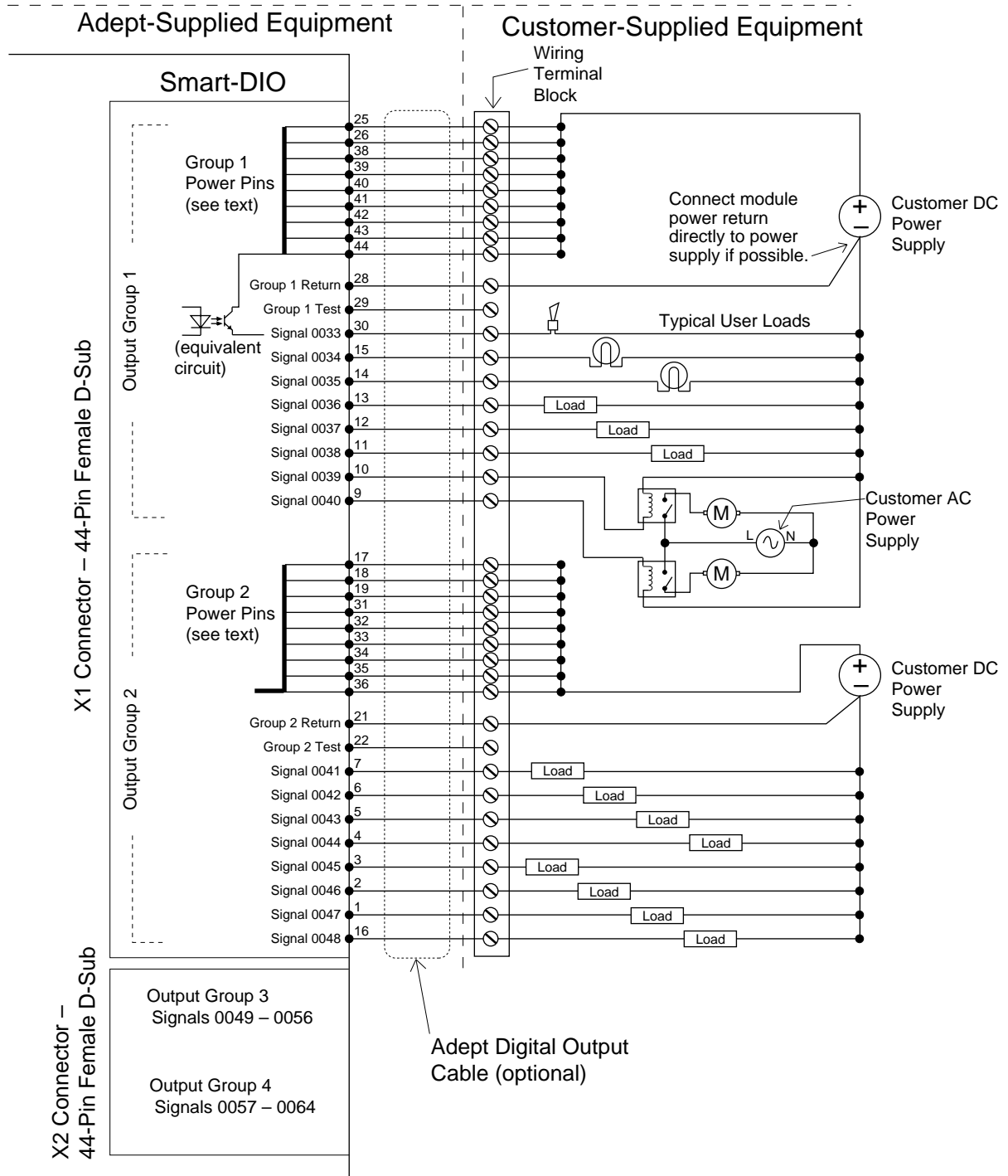


Figure A-8. Typical sDIO Output Wiring

Optional DIO Cables

The cables that connect to the input and output connectors on the sDIO can be ordered as a set of four cables: two input cables and two output cables. These cables have a mating plug on one end and unterminated flying leads on the other end. The wire size of the Adept cables is 0.18 mm² (24 AWG). You can use these cables to connect to the digital inputs/outputs in your system or to a wiring block.

To comply with IEC 1131, if you choose to supply a wiring block, it should be capable of accepting wire in the range of 0.18 mm² (24 AWG) to 2.0 mm² (14 AWG).

Labeling Cables

The X3 and X4 input connectors on the front of the sDIO are similar except that X3 handles the group 1 and group 2 input signals and X4 handles the group 3 and group 4 input signals. The optional digital input cables can be connected to either X3 or X4. Make sure to clearly label the cables once you have completed your installation so that the cables do not get swapped by mistake; see the warning below.

The X1 and X2 output connectors are also similar except that X1 handles the group 1 and group 2 output signals and X2 handles the group 3 and group 4 output signals. The optional digital output cables can be connected to either X1 or X2. Make sure to clearly label the cables once you have completed your installation so that the cables do not get swapped by mistake; see the warning below.



WARNING: Make sure to clearly label the X1 to X4 digital I/O cables so that they are always plugged into the correct connector. Swapping the X3 and X4 or X1 and X2 cables could cause damage to your equipment. Depending on the installation, this could potentially cause injury to personnel in the area.

Input and Output Cable Wiring Information

The pinouts, signal names, and wire color information for the input and output cables are shown in the next four tables.

Table A-5. X3 Input Cable Pin Assignments

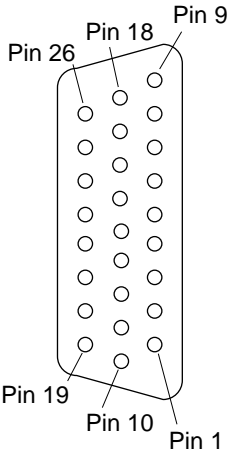
Pin Number	Signal Group	Signal	Wire Color	Pin Locations
X3-15	1	1033	red/white	 <p>X3 26-pin female input connector on sDIO front panel</p>
X3-6	1	1034	orange	
X3-16	1	1035	green/white	
X3-7	1	1036	blue	
X3-17	1	1037	blue/white	
X3-8	1	1038	white/black	
X3-18	1	1039	black/red	
X3-9	1	1040	red/black	
X3-25	1	group 1 return	blue/red	
X3-26	1	group 1 return	red/green	
X3-10	2	1041	green/black	
X3-1	2	1042	black	
X3-11	2	1043	orange/black	
X3-2	2	1044	white	
X3-12	2	1045	blue/black	
X3-3	2	1046	red	
X3-13	2	1047	black/white	
X3-4	2	1048	green	
X3-19	2	group 2 return	white/red	
X3-20	2	group 2 return	orange/red	

Table A-6. X4 Input Cable Pin Assignments

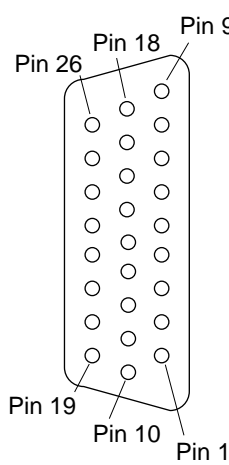
Pin Number	Signal Group	Signal	Wire color	Pin Locations
X4-15	3	1049	red/white	 <p>X4 26-pin female input connector on sDIO front panel</p>
X4-6	3	1050	orange	
X4-16	3	1051	green/white	
X4-7	3	1052	blue	
X4-17	3	1053	blue/white	
X4-8	3	1054	white/black	
X4-18	3	1055	black/red	
X4-9	3	1056	red/black	
X4-25	3	group 3 return	blue/red	
X4-26	3	group 3 return	red/green	
X4-10	4	1057	green/black	
X4-1	4	1058	black	
X4-11	4	1059	orange/black	
X4-2	4	1060	white	
X4-12	4	1061	blue/black	
X4-3	4	1062	red	
X4-13	4	1063	black/white	
X4-4	4	1064	green	
X4-19	4	group 4 return	white/red	
X4-20	4	group 4 return	orange/red	

Table A-7. X1 Output Cable Pin Assignments

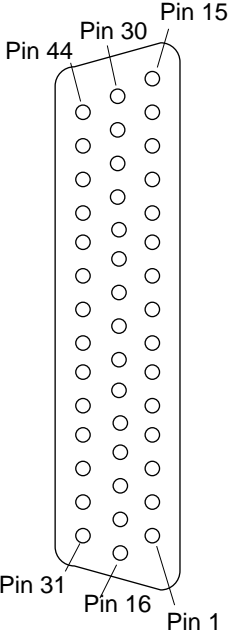
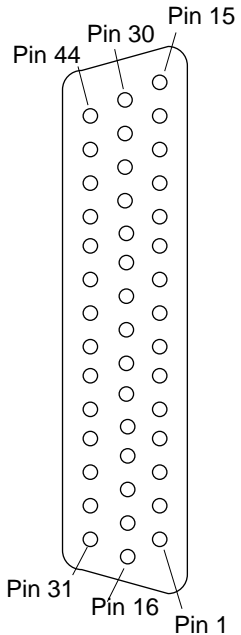
Pin Number	Group Number	Signal name	Wire Color	Pin Locations
X1-30	1	0033	green/black/white	 <p>X1 44-pin female output connector on sDIO front panel</p>
X1-15	1	0034	green/white	
X1-14	1	0035	red/white	
X1-13	1	0036	black/white	
X1-12	1	0037	blue/black	
X1-11	1	0038	orange/black	
X1-10	1	0039	green/black	
X1-9	1	0040	red/black	
X1-25	1	power	orange/green	
X1-26	1	power	black/white/red	
X1-38	1	power	orange/black/green	
X1-39	1	power	blue/white/orange	
X1-40	1	power	black/white/orange	
X1-41	1	power	white/red/orange	
X1-42	1	power	orange/white/blue	
X1-43	1	power	white/red/blue	
X1-44	1	power	black/white/green	
X1-28	1	group 1 return	white/black/red	
X1-29	1	group 1 test	red/black/white	
X1-7	2	0041	white/black	
X1-6	2	0042	blue	
X1-5	2	0043	orange	
X1-4	2	0044	green	
X1-3	2	0045	red	
X1-2	2	0046	white	
X1-1	2	0047	black	
X1-16	2	0048	blue/white	
X1-17	2	power	black/red	
X1-18	2	power	white/red	
X1-19	2	power	orange/red	
X1-31	2	power	orange/black/white	
X1-32	2	power	blue/black/white	
X1-33	2	power	black/red/green	
X1-34	2	power	white/red green	
X1-35	2	power	red/black/green	
X1-36	2	power	green/black/orange	
X1-21	2	group 2 return	blue/red	
X1-22	2	group 2 test	red/green	

Table A-8. X2 Output Cable Pin Assignments

Pin Number	Group Number	Signal Name	Wire Color	Pin Locations
X2-30	3	0049	green/black/white	 <p>X2 44-pin female output connector on sDIO front panel</p>
X2-15	3	0050	green/white	
X2-14	3	0051	red/white	
X2-13	3	0052	black/white	
X2-12	3	0053	blue/black	
X2-11	3	0054	orange/black	
X2-10	3	0055	green/black	
X2-9	3	0056	red/black	
X2-25	3	power	orange/green	
X2-26	3	power	black/white/red	
X2-38	3	power	orange/black/green	
X2-39	3	power	blue/white/orange	
X2-40	3	power	black/white/orange	
X2-41	3	power	white/red/orange	
X2-42	3	power	orange/white/blue	
X2-43	3	power	white/red/blue	
X2-44	3	power	black/white/green	
X2-28	3	group 3 return	white/black/red	
X2-29	3	group 3 test	red/black/white	
X2-7	4	0057	white/black	
X2-6	4	0058	blue	
X2-5	4	0059	orange	
X2-4	4	0060	green	
X2-3	4	0061	red	
X2-2	4	0062	white	
X2-1	4	0063	black	
X2-16	4	0064	blue/white	
X2-17	4	power	black/red	
X2-18	4	power	white/red	
X2-19	4	power	orange/red	
X2-31	4	power	orange/black/white	
X2-32	4	power	blue/black/white	
X2-33	4	power	black/red/green	
X2-34	4	power	white/red green	
X2-35	4	power	red/black/green	
X2-36	4	power	green/black/orange	
X2-21	4	group 4 return	blue/red	
X2-22	4	group 4 test	red/green	

Adept DeviceNet **B**

DeviceNet is a low-cost communications link that connects industrial devices to a network and eliminates expensive hard wiring. The direct connectivity provides improved communication between devices as well as important device-level diagnostics not easily available using hard-wired I/O interfaces.

B.1 DeviceNet Specifications

Adept Technology is a member of the Open DeviceNet Vendor Association (ODVA), which is independently run and operated and not directly associated with any one company. The ODVA controls DeviceNet technical specifications with help from Special Interest Groups (SIGs). Each SIG develops device profiles for one line of product features to ensure interoperability. These profiles become part of the technical specifications.

The DeviceNet Specification is divided into two volumes and defines the following elements:

Volume 1

- DeviceNet Communication Protocol and Application (Layer 7 - Application Layer¹)
- Controller Area Network (CAN) and its use in DeviceNet (Layer 2 - Data Link Layer)
- DeviceNet Physical Layer and Media (Layer 1 - Physical Layer)

Volume 2

- Device profiles to obtain interoperability and interchangeability among like products

DeviceNet incorporates CAN, which defines the syntax or form of the data transmitted. The DeviceNet application layer defines the semantics or meaning of the data transmitted. For more information on the basics of a DeviceNet cable system, contact ODVA at:

Open DeviceNet Vendor Association, Inc.
PMB 499
20423 State Road 7 #F6
Boca Raton, FL 33498-6797
Phone: (1) 561 477-7966
Fax: (1) 561 218-9465
e-mail: odva@powerinternet.com
Internet: <http://www.odva.org>

¹ These layers are based on the Open Systems Interconnect (OSI) model.

B.2 Limitations of the Adept DeviceNet Scanner

The DeviceNet Scanner that Adept has incorporated into the SmartController hardware and the V+ operating system currently supports only a subset of full DeviceNet functionality. The following is a summary of the DeviceNet implementation:

- Implemented the *Master-Slave* operation. This is a complete subset of Peer-to-Peer operation.
- Implemented the *Unconnected Message Manager (UCMM)* in its DeviceNet Scanner to establish connections.
- UCMM is used to establish *I/O Connections*.
- The Adept DeviceNet Scanner can be a *Client* or a *Server* on the network.
- The Adept DeviceNet Scanner currently does **not** support *Cyclic* or *Change-of-State* connections.
- Only *I/O Messaging* is supported. I/O messages contain only data.
- Currently, only the *Message Group 2* of the *Predefined Master/Slave Connection Set* is supported.
- Adept Message Group 2 I/O connections support only the *I/O Poll Command/Response Message* of the possible message types.

B.3 Adept Supplied DeviceNet Hardware

Adept supplies the following DeviceNet hardware in the SmartController:

Micro-style 12 mm thread DIN connector (female). See [Table B-1](#) for Pin assignments.

Table B-1. DeviceNet Signal to Pin Locations

Pin	Signal Name
1	Drain
2	V+
3	V-
4	CAN_H
5	CAN_L

See [Figure B-6 on page 124](#) for a drawing of the connectors.

Connecting DeviceNet Hardware to the Adept DeviceNet Scanner

To connect DeviceNet components to the Adept DeviceNet Scanner, connect a dropline to the female Micro-style 12 mm thread DIN connector on the front of the SmartController. Then you must configure the DeviceNet Scanner correctly using the CONFIG_C program. See the *Instructions for Adept Utility Programs* for information on using CONFIG_C.

See the *DEVICENET* monitor command in the *V+ Operating System Reference Guide* for detailed information about the DeviceNet software setup in V+.

NOTE: Adept does not supply 24V on the SmartController to power the DeviceNet bus. A separate power supply is required to power the components on the DeviceNet bus.



WARNING: The DeviceNet specification requires that the CAN_H and CAN_L signal lines tolerate voltages up to 18V. Since the supply voltage exceeds 18V, improperly wiring the supply voltage to these signal lines may cause permanent damage.

B.4 DeviceNet Physical Layer and Media

The DeviceNet physical layer and media specifications are published in the ODVA manual, chapter 9, volume 1. It describes possible topologies and components of the physical layer of the DeviceNet.

Figure B-1 shows several possible topologies. The DeviceNet specifications also specify system grounding, mixing of thick and thin cable media, termination, and power distribution.

The basic topology is the trunkline-dropline topology. This topology uses separate twisted-pair buses for the distribution of signals and power. The specifications allow trunklines and droplines made of thick or thin cable. The baud rate, maximum distance from end-to-end of the network, and cable size are dependent on each other. See **Table B-2 on page 119** for further details.

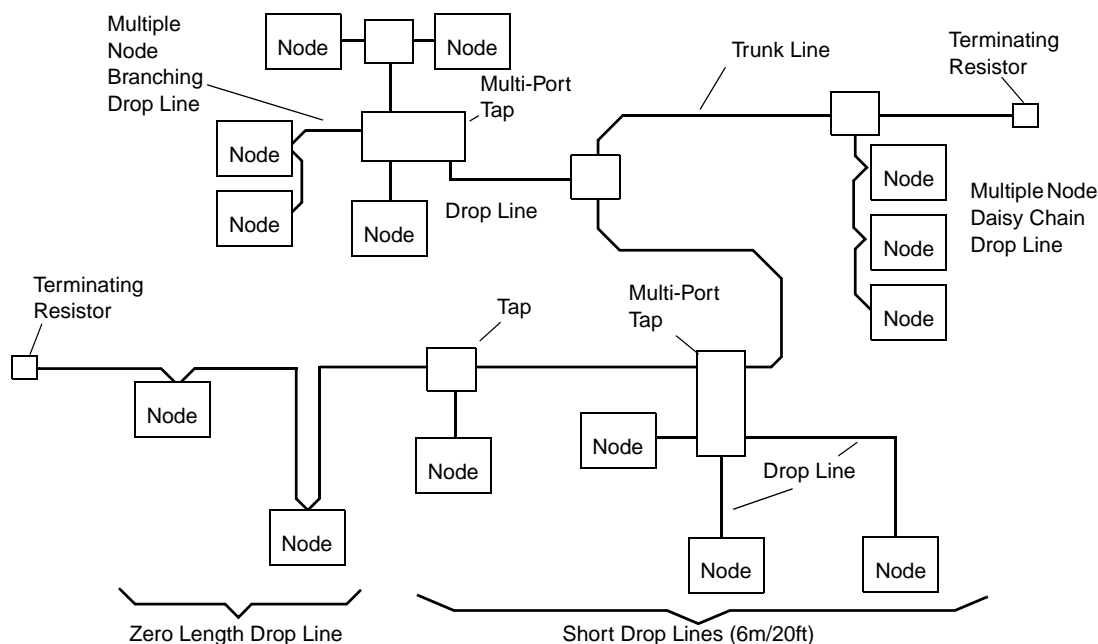


Figure B-1. Trunklines and Droplines Made of Thick and Thin Cable

DeviceNet allows devices to be powered directly from the bus, and devices can use the same cable to communicate with other devices on the bus. DeviceNet nodes are hot-plugable — you can remove or add components on the bus without powering down the network.

NOTE: This hot-plugable feature is not fully supported. If you add a new component to the network, you must make changes in the CONFIG_C program. Those changes are not active until you reboot the Adept SmartController.

The power distribution on the network/bus does not need to be in one place. The distribution of power supplies needs to be well planned since there are certain constraints on the power supply. In general, power supplies can be placed at any point in the network. The maximum current rating of a trunkline is 8 amps. DeviceNet allows opto-isolated, externally powered devices (e.g., AC drive starters and solenoid valves) to operate on the same bus cable. For detailed information see the DeviceNet Technical Specifications or the Cutler Hammer *DeviceNet Installation Planning Guide*. This document is available on the Internet at the following address:

<http://cutlerhammer.eaton.com>

from the menu item “DeviceNet Starter Kit”. The document is an Adobe Acrobat PDF file. Adobe provides a free download of the Acrobat Reader program on their web site:

<http://www.adobe.com>

Table B-2. Features of a DeviceNet Network

Network Size	A maximum of 64 nodes [0..63]
Network Length	Selectable, end-to-end network distance varies with speed
Baud Rate	Distance (thick cable)
125 Kbps	500 m (1,640 ft.)
250 Kbps	250 m (820 ft.)
500 Kbps	100 m (328 ft.)
Data Packets	0-8 bytes
Bus Topology	Linear (trunkline/dropline); power and signal on the same network cable
Bus Addressing	Multi-Master and Master/Slave special case; polled
System Features	Removal and replacement of devices from the network under power not supported by Adept

The baud rate of the system depends on the length of the network (end-to-end) and the type of cable. **Table B-3** shows how cable selection and trunkline length affect the maximum data rate on the network. **Figure B-2** shows a thick cable, and **Figure B-3**, a thin cable.

Table B-3. DeviceNet Data Rates Relative to Cable Type and Length

Data Rates	125 Kbps	250 Kbps	500 Kbps
Thick Trunk Length	500 m (1,640 ft.)	250 m (820 ft.)	100 m (328 ft.)
Thin Trunk Length	100 m (328 ft.)	100 m (328 ft.)	100 m (328 ft.)
Maximum Drop Length	6 m (20 ft.)	6 m (20 ft.)	6 m (20 ft.)
Cumulative Drop Length	156 m (512 ft.)	78 m (256 ft.)	39 m (128 ft.)

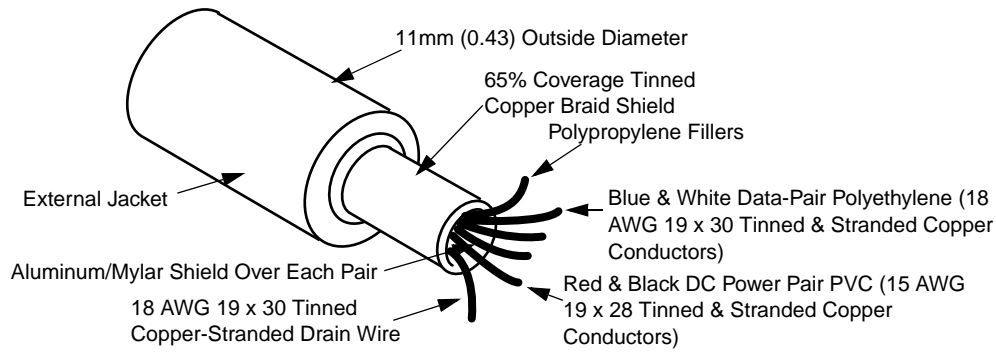


Figure B-2. DeviceNet Thick Cable

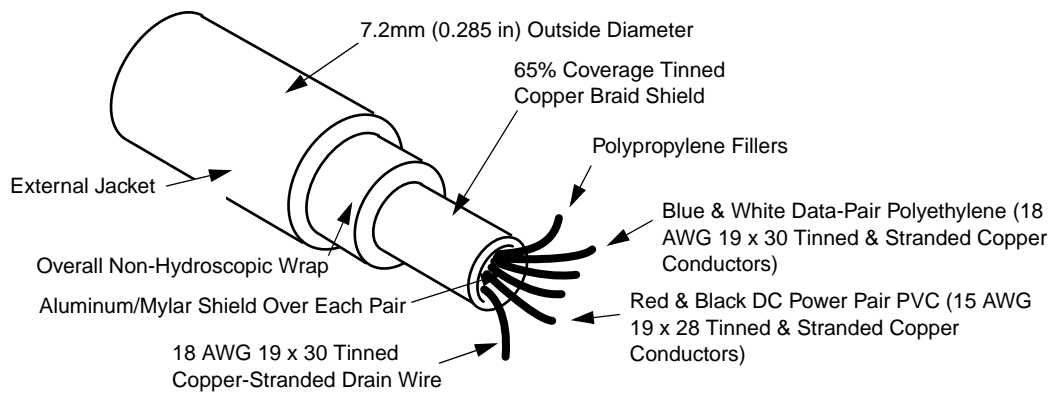


Figure B-3. DeviceNet Thin Cable

DeviceNet Connectors

DeviceNet allows different connectors, which may be grouped into open and sealed connectors. The open connectors are available with screw or with crimp connectors. The sealed connectors are available in mini-style and micro-style sizes. See [Figure B-4](#) and [Table B-4](#) for more details.

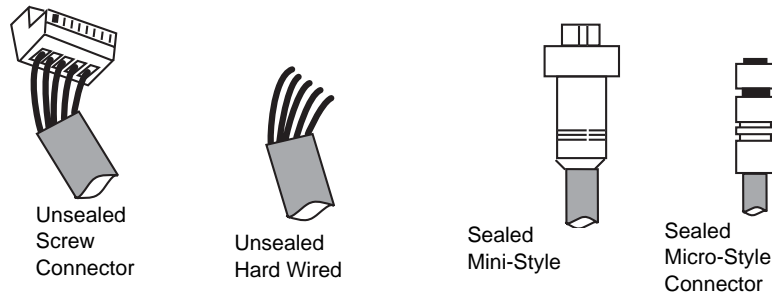


Figure B-4. DeviceNet Connectors

Table B-4. DeviceNet Connector Styles

Connector	Description
Open plugable	Uses screws to attach cable wires to a removable connector
Open hard-wire	Uses wires attached directly to screw terminals
Sealed mini-style	Attaches to taps and thick or thin cable
Sealed style micro	Attaches to thin cable only – has a reduced current rating

Termination of the DeviceNet Network

The DeviceNet network uses the Controller Area network (CAN) bus as the physical layer. This requires that the trunk line of your DeviceNet network be terminated with a resistor at each end. This terminates the signal lines.

The terminating resistor:

- Prevents reflection of communication signals on the network.
- Connects the two signal conductors.
- Must be sealed if the end node uses a sealed tee.
- Must be open if the end node uses an open-style tap.

When using the open-style terminating resistor, connect a 121ohms, 1/4W resistor to CAN_H and CAN_L (between blue and white data-pair wires).

NOTE: A terminating resistor must also be used whenever a short drop line exceeds 6m (20 ft.).

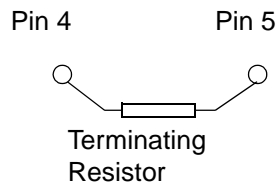


Figure B-5. Example of a Terminating Resistor Installation on a DeviceNet Bus

Power Supply and the DeviceNet Bus

The DeviceNet network allows distribution of power supplies on the network cable system. Follow these general rules to achieve a safe and reliable operation:

- Use power supplies rated at 24V
- Minimize installation problems by using one power supply with sufficient current to operate all the attached nodes. This must comply with the national and international safety standards.
- Make sure that each power supply incorporates current limit protection.
- Make sure each power supply is temperature compensated.
- Provide over current protection for each segment of your DeviceNet cable installation.

NOTE: Adept does not supply the 24V operating voltage for the DeviceNet bus on the SmartController or any other Adept component.

Power Capabilities of a DeviceNet Cable System



WARNING: The DeviceNet specification requires that the CAN_H and CAN_L signal lines tolerate voltages up to 18V. Since the supply voltage exceeds 18V, improperly wiring the supply voltage to these signal lines may cause permanent damage.

A DeviceNet cable system has several power rating constraints. The cable type and the length of the cable specify the maximum current on a cable. Thick and thin cable have:

- 24 VDC power rating
- Optional power-supply tabs

If the power supplies are equipped with Schottky diodes, the optional power supply tabs must be protected from bus back-feeding of current among the power supplies on the bus. We also recommended the use of fuse protection for every trunkline in the cable system.

The maximum current rating of a thick cable trunk line is 8A. Verify that this complies with your national and international standards. It might be necessary to limit the maximum current to a lower value if standards in the U.S. or Canada apply. The maximum current value is a theoretical value. The cable size supports a higher current than 8A. Depending on the topology of nodes relative to the power supply, higher currents might be possible. See the DeviceNet technical specifications for further information.

The maximum current rating of a thin cable trunk line is 3A. If you use the thin cable on a long line, the resistance of the cable decreases the maximum current value. See [Table B-5](#) and the DeviceNet technical specifications and for further information.

Table B-5. Maximum Current on a Dropline Relative to its Length

Length of Dropline	Maximum Current
1.5 m (5 ft.)	3A
2.0 m (6.6 ft.)	2A
3.3 m (10 ft.)	1.5A
4.5m (15 ft.)	1A
6m (20 ft.)	0.75A

For the calculation of the maximum current at a specific length, use the following formula:

$$i = \frac{4.57}{l}$$

Where:

l = Length of the drop line in meters (m)

i = Maximum current in amps

This calculation applies to the sum of the currents of all the nodes on the selected drop line. The length (l) is not the cumulative length of the drop line; it is the maximum distance from any node on the dropline to the trunk line.

It is important to note that voltage differences between the V- and V+ conductors need to be between 11V and 25V. The common-mode voltage between any two places on the V- wire must not exceed 5V.

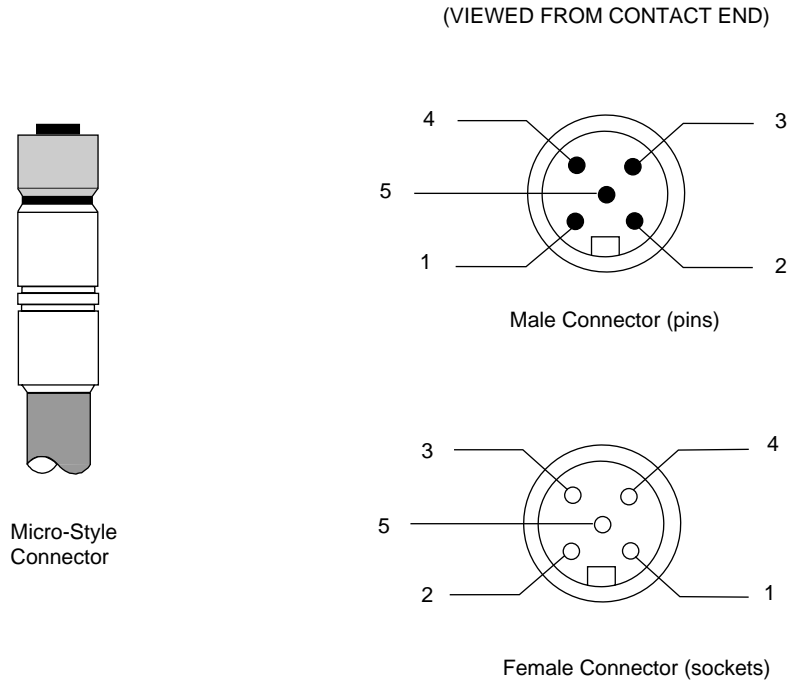
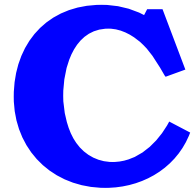


Figure B-6. DeviceNet Connector Pinouts

Using the Manual Control Pendant (MCP)



C.1 Manual Control Pendant Basics

Adept motion systems are designed to allow control of the robot or motion device from the Manual Control Pendant (MCP). [Figure C-2 on page 128](#) shows how to hold the MCP. There are two versions of the MCP, the MCP III (also called MCP-3) and the MCP-4.

MCP Enable Switch Function on CAT-3 SmartController

When a **CAT-3 SmartController** system is operating in **Auto Mode**, the **Enable Switch** on the MCP **has no effect on the operation**. This means in the Auto mode, the Enable switch does not have to be pressed to enable High Power, and releasing the Enable switch while running will not turn off High Power. This is true for both the MCP-3 and MCP-4 models.

See [Section 1.6 on page 21](#) for more information on the CAT-3 SmartController.



CAUTION: The new functionality of the MCP Enable switch in Auto Mode must be recognized by persons familiar with Adept systems, and working patterns and habits adjusted accordingly.

MCP III

The MCP III has a palm-activated enabling switch that is connected to the remote emergency stop circuitry of the controller. Whenever this switch is released, High Power is removed from the motion device. When the MCP is not being used, the operator must place it in the special cradle provided or remove it from the controller and install the pendant jumper plug. The cradle retaining clip will keep the enabling switch depressed when the pendant is not in use. [Figure C-3 on page 128](#) shows how to place the pendant in its cradle.

To operate the MCP, put your left hand through the opening on the left-hand side of the pendant and use your left thumb to operate the pendant speed bars. Use your right hand for all the other function buttons. The various button groupings of the pendant are reviewed in this section.

MCP-4

The MCP-4 has the same functionality as the MCP III, except that it has a 3-position enable switch and a dual channel E-Stop circuit. The 3-position enable switch provides additional safety for the operator. See the next section for a description of the enable switch.

3-Position Enable Switch

The 3-position enable switch on the MCP-4 works as follows (see **Figure C-1**):

Position 1 - switch is not pressed, high power cannot be enabled. (Switch is open.)

Position 2 - switch is pressed in to the middle position, high power can be enabled. (Switch is closed.)

Position 3 - switch is pressed in past the middle position, high power is removed. (Switch is open.)

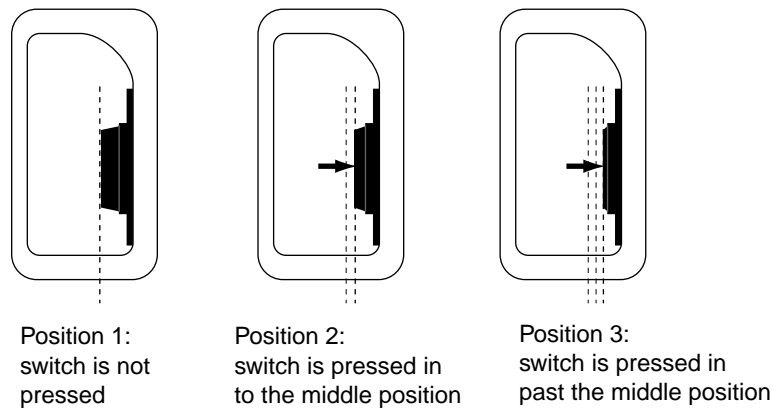


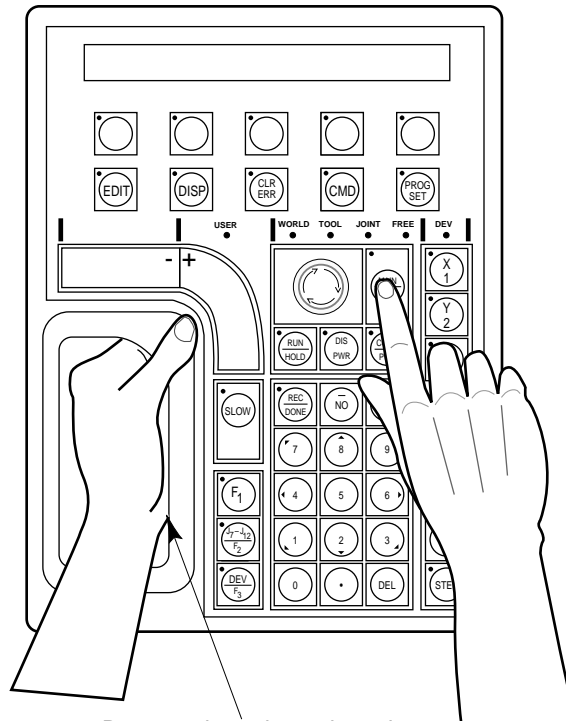
Figure C-1. 3-Position Enable Switch on MCP-4

MCP-4 Compatibility

The MCP-4 has a dual-channel (four-wire) E-Stop circuit where the switch contacts are in parallel. This is different from the MCP III where the switch contacts are in series. This difference affects how the MCP-4 is used in various Adept systems. **Table C-1** covers the compatibility status for the MCP-4.

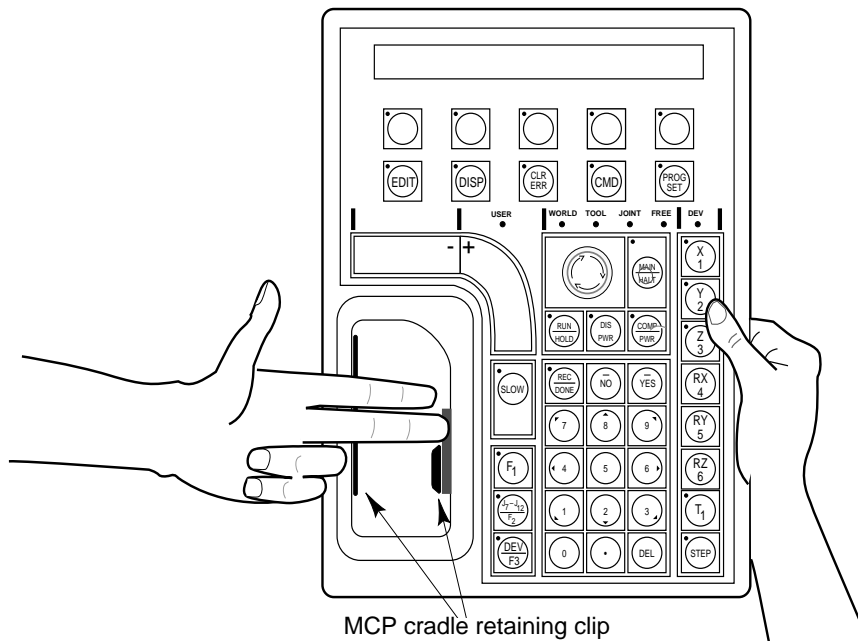
Table C-1. MCP-4 Compatibility Guidelines

In Adept systems rated for Category 1 Safety	
In MV Controller-based systems with CIP2, CIP1, or VFP	MCP-4 is compatible, no issues
In SmartController-based systems	In systems that are shipped from the factory with an MCP-4, there are no compatibility issues. If you are installing an MCP-4 in a system that originally used an MCP III, then Adept recommends removing 10356-10370, CIM TO MCP III Adapter for reliability, but not for compliance reasons.
In Adept systems rated for Category 3 Safety (CE: Redundant Channel, RIA: Control Reliable)	
In MV Controller-based systems with CIP2 or CIP1	To maintain a dual contact enable in CE Category 3 Emergency Stop systems, remove jumper JP3 inside CIP.
In MV Controller-based systems with VFP3	MCP-4 not compatible. Cannot maintain a dual contact enable with the MCP-4, must use MCP III.
In SmartController-based systems	In systems that are shipped from the factory with an MCP-4, there are no compatibility issues. If you are installing an MCP-4 in a system that originally used an MCP III, then you must remove 10356-10370, CIM TO MCP III Adapter. This must be done for compliance reasons in order to maintain a dual contact enable in CE Category 3 Emergency Stop systems.



Depress the palm-activated enabling switch

Figure C-2. Holding the MCP



MCP cradle retaining clip

Figure C-3. Cradling the MCP



WARNING: The cradle for the pendant **MUST** be mounted outside of the robot or motion device work envelope.

Connecting the MCP

The MCP connects to the XMCP connector on the front of the controller. See the system cable diagram in [Figure 2-9 on page 34](#) for more information.

- For an MCP-3, install the MCP adapter cable and the MCP-3 dongle between the MCP and the controller.
- For an MCP-4, install the MCP adapter cable between the MCP and the controller. The dongle is not required for the MCP-4.

The pendant emergency stop switch and the palm-activated enabling switch are wired into the emergency stop circuitry. Therefore, either the pendant or the optional pendant jumper plug must be attached to this connector. If neither one is connected, you cannot enable High Power. If the pendant or jumper plug is removed, High Power is turned off.



CAUTION: Do not modify or extend the MCP cable. Doing this will void the warranty on the MCP.



WARNING: The Auto/Manual keyswitch on the Adept Front Panel *must* be set to Manual if the MCP is to be used inside the robot workcell. This enables important safety features to protect the operator by limiting the speed of the robot.

MCP Layout

The major areas of the MCP are shown in [Figure C-4](#).

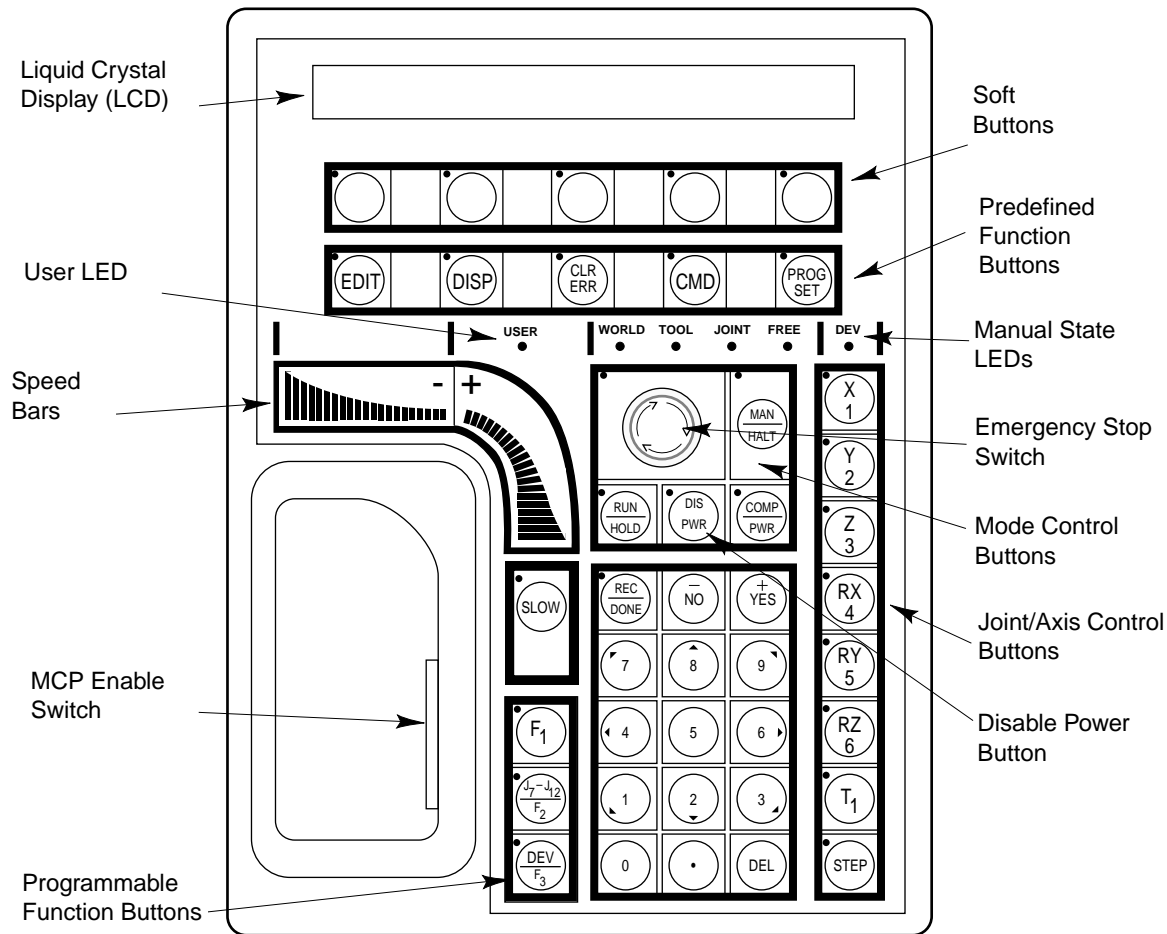


Figure C-4. MCP Layout

Soft Buttons

The soft buttons have different functions depending on the application program being run, or the selection made from the predefined function buttons. Whenever a soft button is active, its function is shown on the bottom line of the pendant display. Because these buttons do not have fixed labels (the labels are defined by the program using the buttons), they are referred to as soft buttons. (Programming the MCP is covered in the [V+ Language User's Guide](#).) [Figure C-4](#) shows the soft buttons.

Function Buttons

The predefined function buttons have specific, system-wide functions assigned to them. These functions are covered in ["MCP Predefined Functions" on page 133](#). The programmable function buttons are used in custom application programs, and their functions will vary depending upon the program being run. See the documentation for your application programs for details on these buttons. [Figure C-4](#) shows the function buttons.

Data Entry Buttons

The data entry buttons shown in [Figure C-5](#) are used to input data, normally in response to prompts that appear on the pendant display. The data entry buttons include, +/YES, -/NO, DEL, the numeric buttons (0-9), the decimal point, and the REC/DONE button. These buttons are similar to the numeric keypad on a standard keyboard.

REC/DONE Button Behaves like the Return or Enter key on a standard keyboard. When data entry is complete, pressing REC/DONE sends the entry to the controller. In many cases, application programs have users press the REC/DONE button to signal that they have completed a task.

DEL Button Acts like the backspace key on a standard keyboard. When data is being entered, it will appear on the pendant display. DEL will delete any characters that appear on the pendant display but have not been entered using the REC/DONE button. Application programs may also assign special functions to the DEL button.

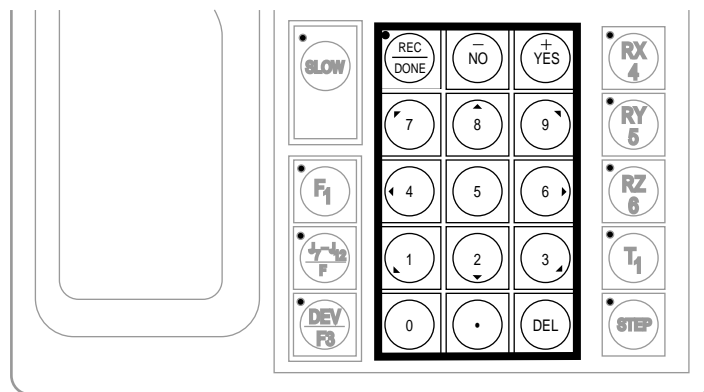


Figure C-5. Data Entry Buttons

Mode Control and Joint/Axis Control Buttons

The mode control and joint/axis control buttons are used to control the robot from the pendant. The use of these buttons is covered in [“Moving a Robot or Motion Device With the MCP” on page 140](#).

Speed Bars and Slow Button

The speed bars and slow button are used primarily to move the robot when it is in manual mode. These options are described in [“Moving a Robot or Motion Device With the MCP” on page 140](#).

In some cases, application programs will make special use of the speed bars. See the documentation for any application program for details on how it uses these buttons.

Emergency Stop From the MCP

To immediately halt program execution and turn off High Power, press the emergency stop switch on the MCP. This switch has the same effect as pressing the emergency stop switch on the Front Panel.

To re-enable High Power after pressing the MCP emergency stop switch, follow this process:

1. Turn the emergency stop switch to the right (clockwise). The switch is spring loaded and will return to its normal position.
2. Depress the enabling switch. High Power can now be re-enabled by pressing the COMP/PWR button (mode control group), or by entering the ENABLE POWER command from the keyboard.
3. Press the blinking High Power button on the Front Panel (or CIP2 in an MV controller system). High Power is enabled and current can flow to the robot motors.

Re-Enabling Power After Enable Switch Released

In Automatic Mode

Original SmartController

When the system is operating in Automatic Mode and you release the Enable switch (or go to position 3 in the 3-position switch), the system turns off the same as an E-stop condition. To re-enable high power you must follow the steps from the previous section.

CAT-3 SmartController

In a CAT-3 SmartController, when operating in Automatic Mode, the Enable Switch is ignored by the system. Releasing the Enable switch has no effect on operation. See [Section 1.6 on page 21](#) for more information.

In Manual Mode

When the system is operating in Manual Mode and you release the Enable switch (or go to position 3 in the 3-position switch), the system turns off in a controlled manner. This puts the system in a different state than when the E-Stop button is pressed. To re-enable high power, follow this process:

1. Turn the emergency stop switch to the right (clockwise). The switch is spring loaded and will return to its normal position.
2. Depress the enabling switch. High Power can now be re-enabled by pressing the COMP/PWR button (mode control group), or by entering the ENABLE POWER command from the keyboard. High Power is enabled and current can flow to the robot motors. This makes it more convenient during development and programming a system.

NOTE: The exception to this situation is when a CAT-3 SmartController is used in a SmartModules system with a PDU-2. You have to press the blinking High Power button on the Front Panel. See [“Operational Change in SmartModule Systems” on page 22](#).

Background Mode

The pendant is in background mode when the USER LED is not lit and none of the predefined functions are being used. The USER LED is lit whenever an application program is making use of the MCP. The MCP will not return to background mode until the program completes execution or is aborted. The LEDs above the predefined function buttons indicate whether the functions are being used. If one of the LEDs is lit, the MCP can be returned to background mode by pressing the REC/DONE key (more than one press may be necessary). The predefined functions are described in [“MCP Predefined Functions” on page 133](#).

When the MCP is in background mode, the viewing angle of the LCD can be changed. There are three different angles. Press the “2”, “5”, or “8” button to select a different viewing angle.

C.2 MCP Predefined Functions

Introduction

This section describes the manual control pendant functions related to:

- Loading and starting programs
- Editing global variables
- Displaying system status

Predefined Function Buttons

The MCP has five predefined function buttons for your use. They are listed and explained below.

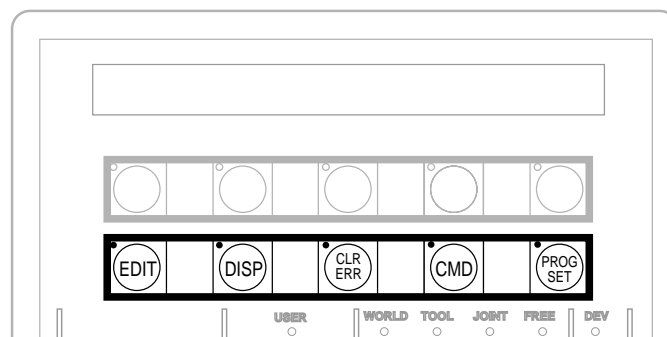


Figure C-6. MCP Predefined Function Buttons

The Edit Function

The Edit function button allows editing of location variables and real variables that are used by V+ programs.

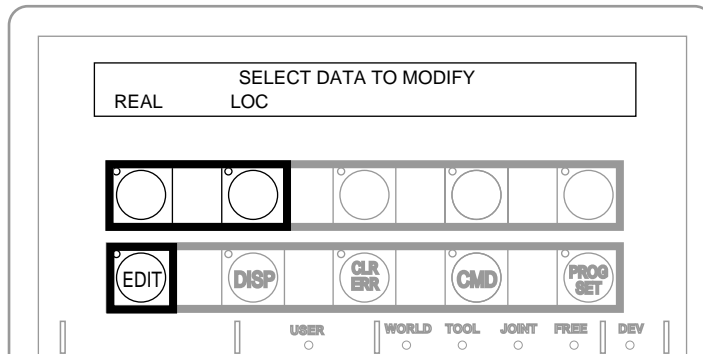


Figure C-7. EDIT Function Button

REAL Press the REAL soft button and the LCD displays:

```
SELECT REAL VARIABLE TO EDIT
var1   var2   var3   var4   <MORE>
```

var1, var2, etc., are global variable names. Press the soft button under the variable name to edit that variable. The <MORE> soft button is shown only when there are more than five global real variables in system memory. When a variable has been selected, the LCD will display:

```
var.name = xxx
CHANGE   TRUE   FALSE
```

(If the variable being edited is from an array, an additional soft button is displayed that allows you to specify the index of the variable to edit.)

Press the TRUE soft button to set the variable to the boolean value of true (-1). Press FALSE to set the variable to false (0). To change the value of the variable press the CHANGE soft button. The LCD displays:

```
var.name = _
CHANGE   TRUE   FALSE
```

The typing cursor replaces the variable value. Use the data entry buttons to input a new value, and complete the entry by pressing REC/DONE.

LOC Press the LOC soft button and the LCD displays:

```
SELECT LOCATION VARIABLE TO EDIT
loc1   loc2   loc3   loc4   <MORE>
```

Press the soft button under the variable name to edit that variable. The <MORE> soft button is shown only when there are more than five global location variables in system memory. When a variable has been selected, the LCD will show:

```
loc.name: X = 500
CHANGE   NEXT   HERE
```

(If the variable being edited is from an array, an additional soft button is displayed that allows you to specify the index of the variable to edit.)

If a precision point is selected, the LCD will show:

```
#loc.name: Jt1 = -210
CHANGE   NEXT   HERE
```

Press the CHANGE soft button to change the displayed component of the location variable. The value will disappear and be replaced with the typing cursor. Use the data entry buttons to enter a new value, and complete the entry by pressing REC/DONE.

Press the NEXT soft button to show the next component of the location variable. The location's X, Y, Z, y, p, and r values will be shown in succession. X, Y, and Z values are given in millimeters; y, p, and r values are given in degrees. If a precision point is being edited, the joint values for all the joints in the robot will be shown in succession.

Press the HERE soft button to record the current robot location in the variable being edited.



WARNING: Be extremely careful when changing location values. When the robot moves to a modified location, it could damage equipment in the workcell.

The Display Function

The Display function button allows either the current joint values, the current world location, the system status, the digital I/O status, or the last error message to be displayed on the MCP.

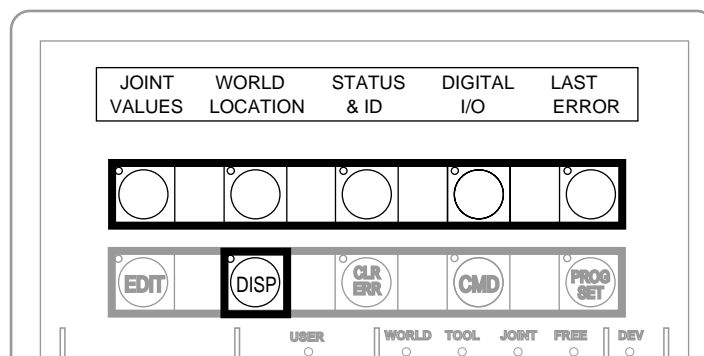


Figure C-8. DISPLAY Function Button

Joint Values When this button is pressed, the display shows:

```
J1 = x.xx   J2 = x.xx   J3 = x.xx
J4 = x.xx   J5 = x.xx   J6 = x.xx
```

These values represent the current joint positions of the robot or motion device. Values will be shown only for joints the robot or motion device actually has. Rotational joint values are expressed in degrees, and translational joint values are expressed in millimeters.

WORLD LOCATION When this button is pressed, the display shows:

```
X = xxx.xxmm   Y = xxx.xxmm   Z = xxx.xxmm
y = xxx.xx°    p = xxx.xx°    r = xxx.xx°
```

The values represent the current location of the robot or motion device in world coordinates. See [Section C.3 on page 140](#) for details on world coordinates.

Status & ID When this button is pressed, the display shows:

```
Status      SOFTWARE      CNTRLR      ROBOT
ID           ID              ID          'S
```

The Status button displays:

```
program.name   50          1          0
Program        Speed      Cycle     Left
```

Program shows the name of the currently executing or most recently executed program. Speed shows the current monitor speed. Cycle shows the total number of cycles specified when the program was executed. Left shows the number of cycles of the program remaining to execute.

The Software, Controller, and Robot ID buttons display the ID information for those items.

Digital I/O When this button is pressed, the display shows:

```
----- 0000 0011
+ 0032-0001 -      OUT      IN      SOFT
```

The top line shows the status of the range of digital I/O signals indicated on the second line (1-32 in the above example). A “-” indicates the channel is not installed, a “1” indicates the signal is on, and a “0” indicates the signal is off. The type of signal that is being displayed is indicated by the LED on the soft buttons labeled OUT, IN, and SOFT. The above example shows digital output signals in the range 1 to 32. Signals 1-2 are on, signals 3-8 are off, and no other signals in this range are installed. See [Section 3.8 on page 58](#) for more information on digital I/O signal ranges.

To display a different range of signals, press the soft buttons under the “+” or “-” labels. The next or previous range of signals will be displayed. Press the OUT, IN, and SOFT soft buttons to display input, output, or soft signal ranges.

Last Error Press LAST ERROR to display the error messages generated by V⁺ during the current session. The most recent error will be displayed. The rightmost soft button will be labeled <MORE>. Pressing this button will cycle back through the error messages generated during the current session.

The Clear Error Function

If the MCP is in the Manual position, or the system switch MCP.MESSAGES is enabled, error messages are sent to the MCP. When an error is sent to the MCP, the MCP will beep, display a blinking error message, and light the LED on the CLR ERR button, shown in [Figure C-9](#).

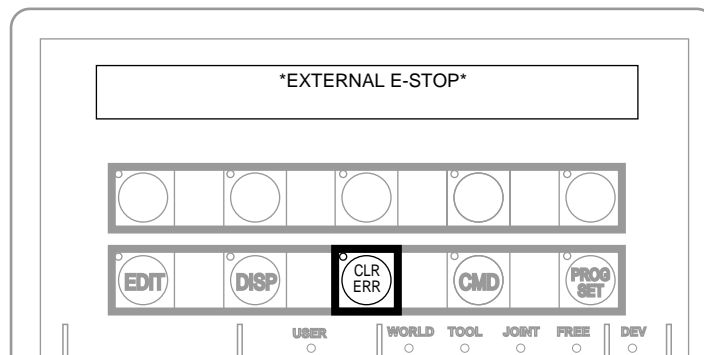


Figure C-9. CLEAR ERROR Function Button

The CLR ERR button must be pressed for operation to continue. Pressing the CLR ERR button will clear the error message from the display and return the MCP to the state it was in before the error.

The CMD Function

The CMD function button displays the options AUTO START, CALIBRATE, STORE ALL, CMD1, and CMD2, as shown in [Figure C-10](#).

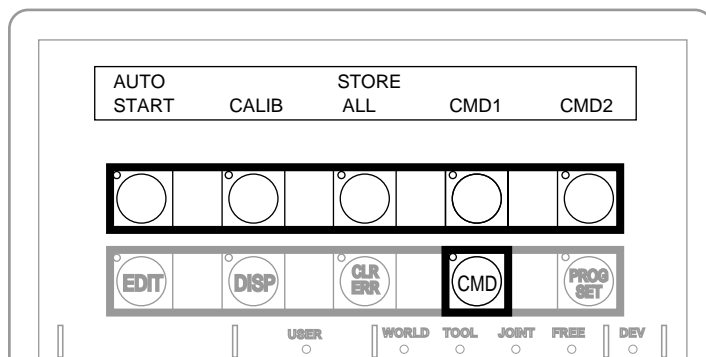


Figure C-10. Command (CMD) Function Button

The AUTO START, CALIB, CMD1, and CMD2 functions require the MCP to be in Auto mode. If one of these function buttons is pressed while the MCP is in Manual mode, the MCP prompts you to place the keyswitch in the Auto position. The operation is halted and you must press the function button again. The programs started by these buttons may include a WAIT.START instruction, in which case the program will pause and the MCP will display START and CANCEL buttons over the two right soft buttons. Pressing START allows the program to continue. Pressing CANCEL halts program execution.

The programs started by these functions run in task 0. Therefore, High Power must be enabled and the robot must be calibrated.

Auto Start When AUTO START is pressed, the pendant display shows:

```
Enter last two digits of file name:
auto_
```

Enter one or two digits and press REC/DONE. The system attempts to load the file AUTOxx.V2 from the default disk, and COMMAND the program "autoxx" (xx refers to the digits you entered). The program file AUTOxx.V2 must reside on the default disk, and it must contain a monitor command program named "autoxx". If the file does not exist, or does not contain a correctly named program, the operation will be aborted and the appropriate error message will be displayed on the LCD. For example, if you had entered "9", the system would attempt to load the file AUTO9.V2 and COMMAND the program "auto9".

Calib When CALIB is pressed, the robot calibration procedure begins (High Power must be enabled).

Store All When STORE ALL is pressed, the pendant displays:

```
Enter last two digits of file name:
STORE auto_
```

Enter one or two digits, press REC/DONE, and all programs and variables in system memory will be stored to a file on the default disk with the name autoxx.v2. For example, if you had entered "11", the file AUTO11.V2 would be created, and all programs and global variables in system memory would be stored to that file.

CMD1 and CMD2 When CMD1 is pressed, the system attempts to load the file CMD1.V2 from the default disk, and COMMAND the program CMD1. The program file CMD1.V2 must reside on the default disk, and it must contain a command program named "cmd1". If the file does not exist, or does not contain a correctly named program, the operation will be aborted and the appropriate error message will be displayed on the LCD. If CMD2 is pressed, the file CMD2.V2 will be loaded and "cmd2" will be COMMANDed.

Prog Set Function

Using the Prog Set button, you may select a new program to execute, set the starting step number, set how many cycles of the program to perform, set the monitor speed, and start a memory-resident application program. See [Figure C-11](#).

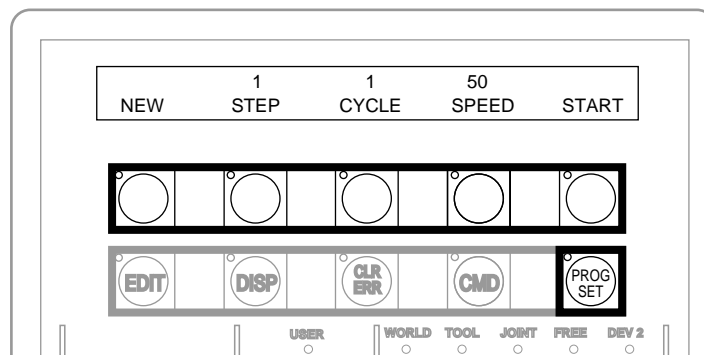


Figure C-11. Program Set Function Button

New Press the NEW soft button and the LCD displays:

```

                SELECT A NEW PROGRAM
prog1    prog2    prog3    prog4    <MORE>

```

To select a different program, press the soft button under the program name. To see additional programs (if there are more programs), press the <MORE> soft button.

Step Press STEP and the step number will blink, and the typing cursor will appear next to the step number. Use the data entry buttons to enter the program step to start execution. Complete the entry by pressing REC/DONE.

Cycle Press CYCLE and the cycle count will blink, and the typing cursor will appear next to the cycle count. Use the data entry keys to enter the number of program cycles to execute. Complete the entry by pressing REC/DONE.

Speed Press SPEED and the current monitor speed will blink, and the typing cursor will appear next to the monitor speed. Use the data entry keys to enter a new monitor speed. Complete the entry by pressing REC/DONE.

Start The Start button works only when High Power is enabled (this option cannot be used with DRY.RUN enabled). Press START and the program displayed above the NEW soft button will begin execution.

C.3 Moving a Robot or Motion Device With the MCP

Introduction

The MCP is used with a robot or motion device primarily to teach robot locations for use in application programs. The MCP is also used with custom applications that employ teach routines that pause execution at specified points and allow an operator to teach or re-teach the robot locations used by the program. The Adept AIM software system makes extensive use of the pendant for teaching robot locations.

When you move the robot using the MCP, motion will be in world state, tool state, joint state, or in free state.

When moving in world state, directions are sent from the MCP to move the robot in a Cartesian coordinate system centered at the base of the robot. When moving in tool state, directions are sent from the MCP to move the robot in a Cartesian coordinate system centered at the robot's end-of-arm tooling location.

In joint state, directions are sent from the MCP to move individual robot joints. In free state, selected joints of the robot are "freed" from servo control so they can be moved by hand.

Mode Control Buttons

The mode control buttons, **Figure C-12**, change the state being used to move the robot, switch control of the robot between the MCP and application programs, and enable High Power (when necessary).

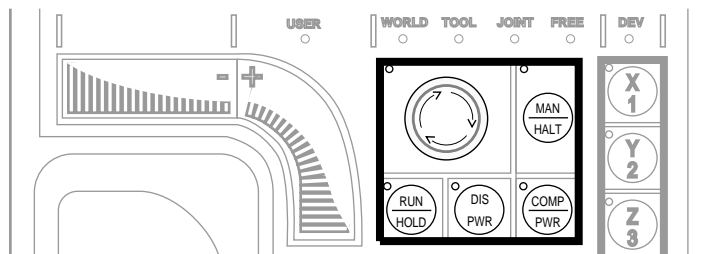


Figure C-12. Mode Control Buttons

Emergency Stop Switch

The emergency stop switch will stop program execution and turn off High Power. If your robot is equipped with brakes, they will be activated.

COMP/PWR Button

If High Power is enabled, the COMP/PWR button selects computer mode. If the system is in AUTO mode and High Power is disabled, the COMP/PWR button enables High Power and selects computer mode. In computer mode, an executing program or the system terminal has control of the robot. (If the robot has not been calibrated and High Power is turned on, the MCP emergency stop switch LED will be lit, and both the COMP/PWR and MAN/HALT LEDs will be off.)

After you press the COMP/PWR button to enable High Power, the High Power lamp begins blinking and the LCD prompts you to press the High Power button. You must press this button before within the allowed time (this time is programmable) or High Power will not be enabled.

If the system is in Manual mode and you press the COMP/PWR button to enable High Power, you need to take the following actions:

- release the MCP enable switch
- press and hold the MCP enable switch (position 2 in MCP-4)
- press the High Power button within the allowed time.

MAN/HALT Button

When there is no program executing, or a program has paused for a pendant teach routine, pressing the MAN/HALT button selects manual mode. In manual mode, the MCP has control of the robot. If a program is executing, the MAN/HALT button will stop program execution (without shutting off High Power).

Manual mode cannot be entered if High Power is off (E-Stop button LED not illuminated). To enable High Power, press the COMP/PWR button. The MCP is in manual mode when:

1. The LED on the MAN/HALT button is illuminated, and
2. One of the manual state LEDs is also illuminated (the manual state LEDs indicate the type of manual motion that has been selected, either World, Tool, Joint, or Free).

The system will remain in Manual mode until High Power is turned off or the COMP/PWR button is pressed. When you have finished moving the robot manually, press the COMP/PWR button to return control to the controller. If a program attempts to execute with the MCP in manual mode, the error "Comp mode disabled" will be generated.

When the MAN/HALT button is pressed the first time, the MCP will be in world state. Pressing the MAN/HALT button again selects the next state to the right (tool, joint, free), eventually wrapping back to the leftmost state (world). If manual mode is terminated and reentered (without turning off system power) the last active state is selected.

DIS PWR Button

The Disable Power button will shut down High Power to the robot or motion device when pressed. Unlike the emergency stop switch, the Disable Power Button initiates a controlled stop, where the robot is decelerated under software control. After the robot has stopped, power is turned off.

RUN/HOLD

When the RUN/HOLD button is initially pressed, it will stop the robot and pause the executing program (task 0). If you then press and hold down the button, the program proceeds until the button is released. When the button is released, the robot stops and the executing program pauses until the button is pressed again.

Joint/Axis Control Buttons

The buttons on the far right side are the joint/axis control buttons. When the MCP is in manual mode, these buttons select which robot joint will move, or the coordinate axis along which the robot will move. The X/1, Y/2, Z/3, RX/4, RY/5, and RZ/6 buttons are covered starting on [page 143](#). (The MCP must be in manual mode before a joint/axis control button can be selected.)

STEP Button

When the Auto/Manual keyswitch is set to Manual, V+ programs cannot initiate motions unless you press the step button and speed bar on the MCP. To continue the motion once it has started, you can release the step button but must continue to press the speed bar. Failure to operate the step button and the speed bar properly results in the following error message:

`*Speed pot or STEP not pressed*`

Once a motion has started in this mode, releasing the speed bar also terminates any belt tracking or motion defined by an ALTER program instruction.

Motions started in this mode have their maximum speeds limited to those defined for manual control mode.

As an additional safeguard, when High Power is enabled and the keyswitch is set to Manual, the MCP is set to off mode, not comp or manual mode.

Programs designed to move the robot in manual mode should read the status of the step and speed bar before starting the move. The program should prompt the user as required.

Speed Bars

In World, Tool, and Joint Mode

The speed bars are used to control the robot's speed and direction. The joint(s) that will move when the speed bars are pressed depends on the "state" selected with the MAN/HALT button. Press the speed bars with your left thumb. Pressing the speed bars near the outer ends will move the robot faster; pressing the speed bar near the center will move the robot slower. See [page 143](#) for details on positive and negative directions.

In Comp Mode

See the description of the Step Button on [page 142](#).

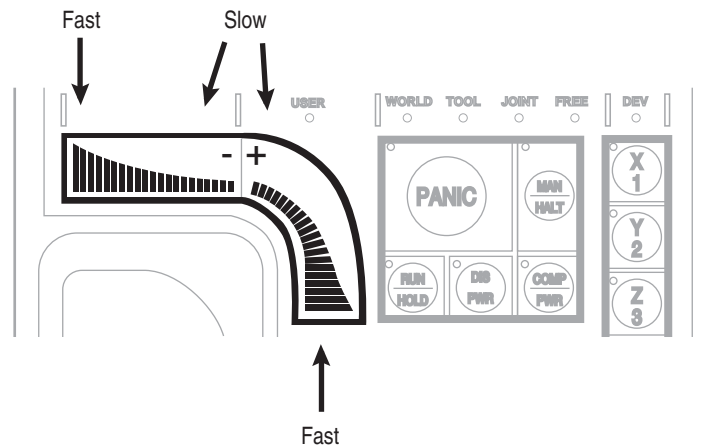


Figure C-13. Speed Bars

Slow Button

The slow button selects between the two different speed ranges of the speed bars. When the slow button LED is lit, the slower speed range is selected. This slower speed is 25% of the normal MCP speed.

Robot States

World State

When world state is selected, movement in the X, Y, or Z direction is parallel to an axis of the world coordinate system. Before the speed bars will move the robot, an axis of motion must be selected from the manual control buttons. The world coordinate system for a SCARA robot is shown in [Figure C-14](#). If X1 is selected, pressing the "+" speed bar will move the robot tool flange in the positive X direction. Pressing the "-" speed bar will move the flange in the negative X direction.

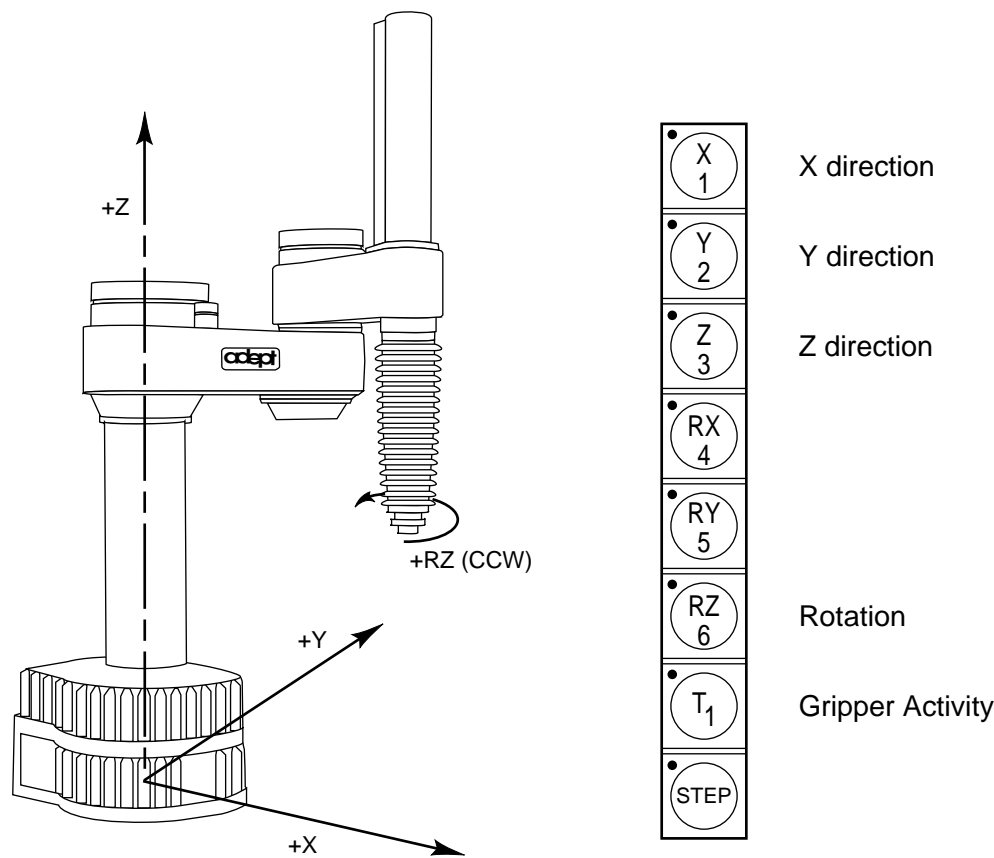


Figure C-14. WORLD State (Four-Axis SCARA)

The T_1 button cycles the gripper solenoids. Press anywhere on the “+” side of the speed bar to open the gripper, on the “-” side to close the gripper.

NOTE: This is the most common gripper setup. The gripper solenoids may be configured so they operate differently (or they may not be configured at all). Place your robot in a safe location and cycle the gripper to verify which side of the speed bar opens the gripper. (The SPEC utility is used to configure gripper activity. See the [Instructions for Adept Utility Programs](#).)

Tool State

When tool state is selected, movement in the X, Y, or Z direction is along an axis of the tool coordinate system. The tool coordinate system is centered at the robot tool flange with the Z axis pointing away from the flange. On most robots, the positive X axis is aligned with the center of the tool flange keyway. Before the speed bars will move the robot, an axis of motion must be selected from the manual control buttons. If X1 is selected, pressing the “+” speed bar will move the robot tool flange in the positive X direction. Pressing the “-” speed bar will move the flange in the negative X direction.

In a four-axis robot, positive rotation of the gripper (RZ) is clockwise as viewed from above. [Figure C-15](#) shows the tool coordinate system for a four-axis SCARA robot.

[Figure C-16](#) shows the tool coordinate system on a six-axis robot.

NOTE: Figure C-15 and Figure C-16 are drawn with the assumption that the TOOL transformation is set to NULL (all values are 0). If a TOOL transformation is in effect, the tool coordinate system will be offset and rotated by the value of the TOOL transformation. Any motion in tool state will now be relative to the offset coordinate system, and not the center of the tool flange. See the *V+ Language Reference Guide* for details on TOOL transformations.

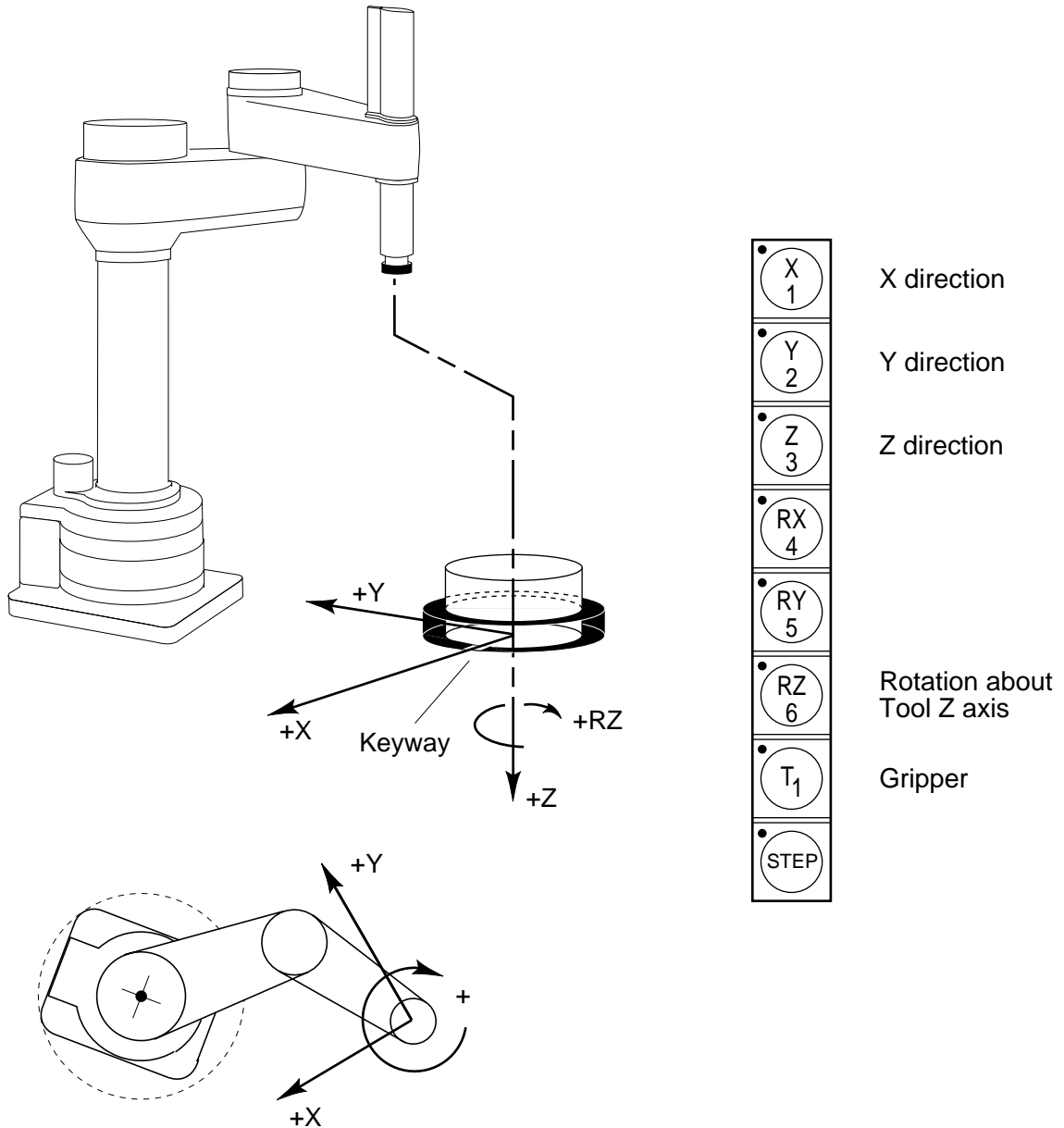


Figure C-15. TOOL State (Four-Axis SCARA)

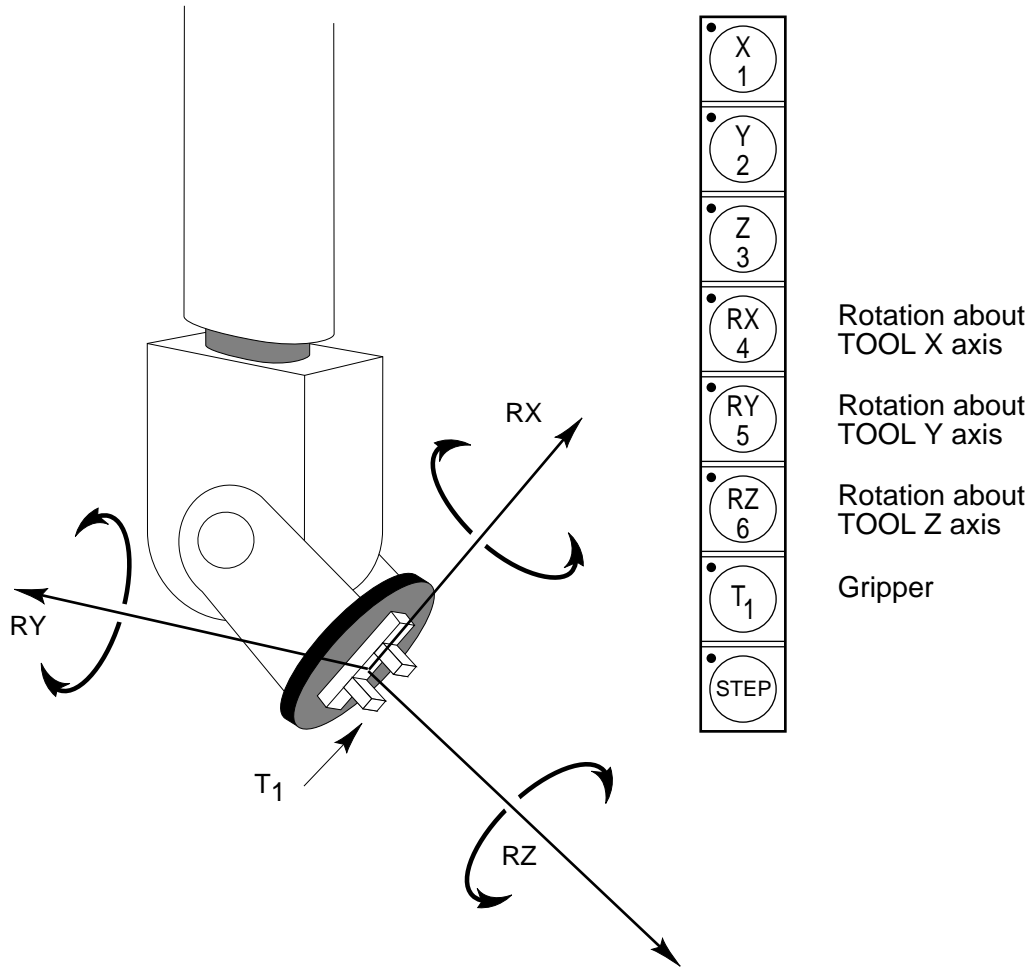


Figure C-16. TOOL State (Six-Axis Robot)

Joint State

When joint state is selected, movement is about the axis of the specified joint. **Figure C-17** shows an Adept SCARA robot with three rotational joints (Joints 1, 2, and 4) and one translational joint (Joint 3). Positive rotation of joints 1 and 2 is counterclockwise as viewed from above. Positive rotation of Joint 4 is clockwise as viewed from above. Positive movement of Joint 3 is downward. Before the speed bars will move a joint, the correct joint must be selected from the manual control buttons.

Different robots or motion devices will have the different joint numbers assigned to their joints. When you first move an unfamiliar robot using joint state, set the monitor speed to 10 or lower, put the robot in a safe area, and carefully move the robot using the different joint numbers to verify how the MCP moves the robot. See the documentation for the motion devices you are using for details on their joint assignments.

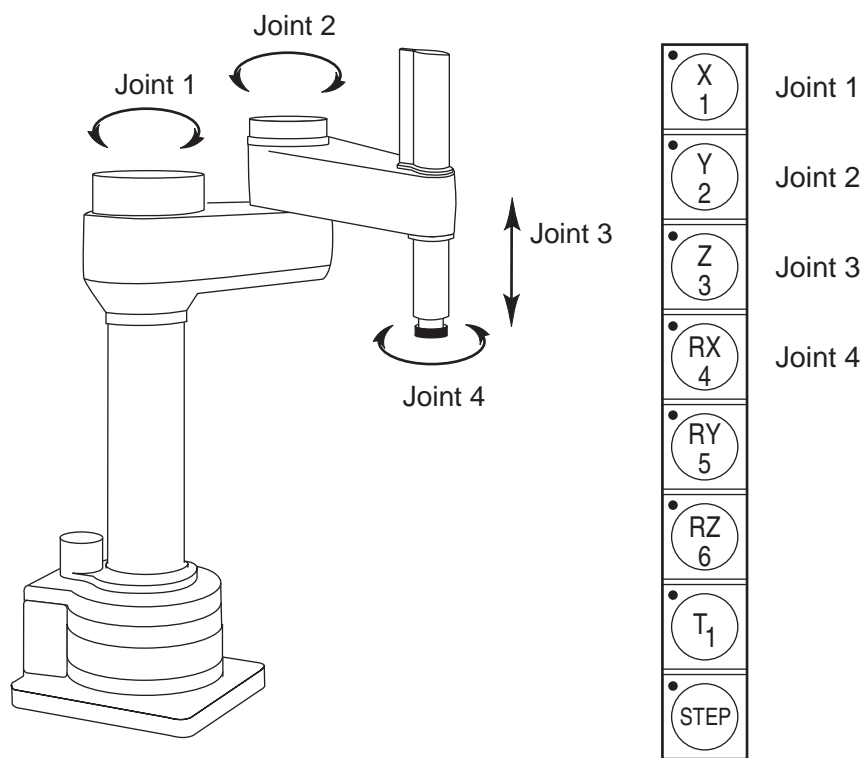


Figure C-17. JOINT State (Four-Axis SCARA)

Figure C-18 shows the joint assignments for a typical six-axis robot (as always, the first time you move a robot, carefully verify the joint assignments).

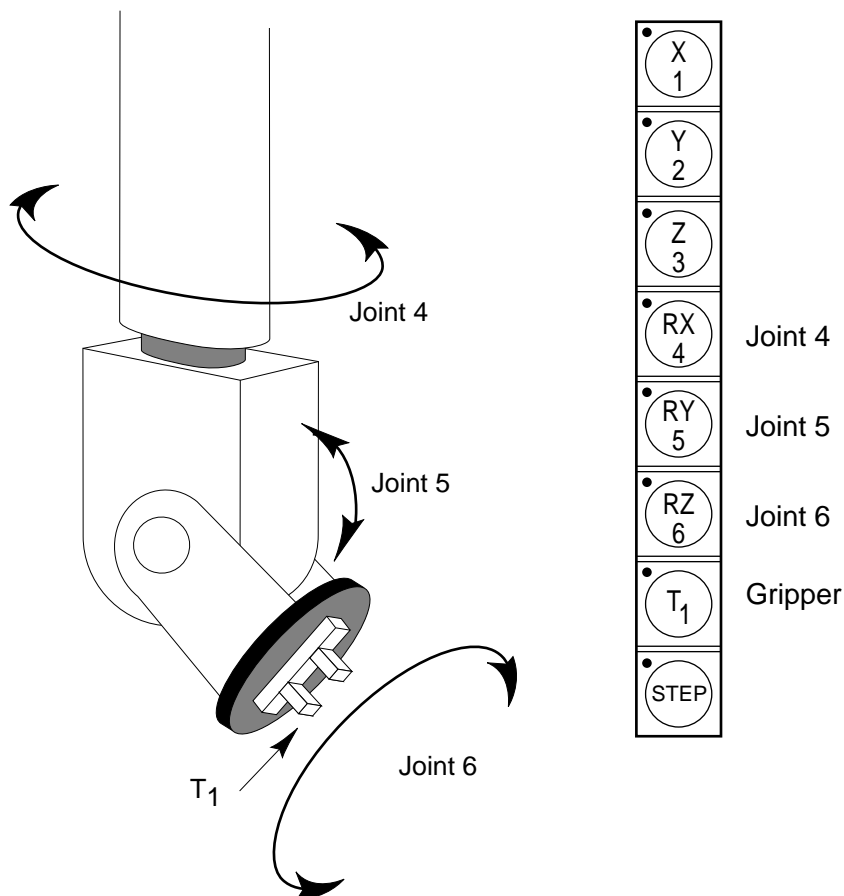


Figure C-18. JOINT State (Six-Axis Robot)

Free State

When free state is selected, individual joints are freed from servo control, and the robot brakes (if any) are released. Unlike the other states, you can make multiple selections from the manual control buttons to free as many joints as required. In some cases, such as Joints 1 and 2 on an AdeptOne/AdeptThree robot, multiple joints are freed by selecting a single button. On some robots Free mode may have been disabled by the manufacturer on some or all joints.

As soon as the COMP/PWR button is pressed, or another selection is made from the manual control buttons, all joints are placed back under servo control and will not move freely.

Figure C-19 shows the free state for a four-axis SCARA robot. The joint assignments in the free state are the same as the joint assignments in joint state.



WARNING: As soon as a joint is selected from the manual control buttons, the related joint is free to move (in some cases, multiple joints may be freed up). In many cases the weight on the joint will be sufficient to move the joint and cause damage or harm. For example, when joint 3 on a SCARA or Cartesian robot is freed, the joint is free to fall to the end of its travel. In articulated robots, multiple links of the robot may be free to fall when a single joint is freed up. Be extremely careful when selecting a joint in free mode.

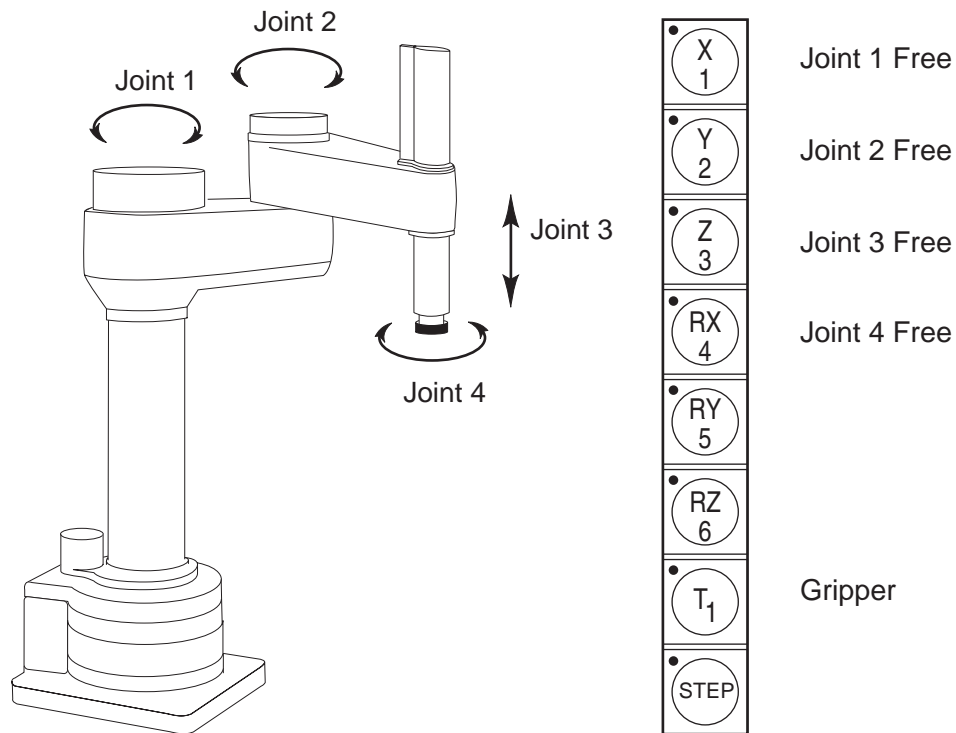


Figure C-19. FREE State (Four-Axis SCARA)

Controlling More Than One Robot

Like the monitor and each program task, the Manual Control Pendant (MCP) can also have a robot attached. When moving a robot from the MCP or displaying joint values or world locations by pressing the DISP key, only the currently selected robot is affected. The robot currently selected by the MCP is shown by the state of the DEV LED (in the manual state LED group, see [Figure C-4](#)). The table below describes the conditions:

Table C-2. Controlling More Than One Robot

DEV LED state	Robot selected by pendant
OFF	1
ON	2
FLASHING	3 (and above)

The MCP selection cycles from one robot to the next each time the DEV/F3 key is pressed. Be careful when recording positions with the MCP; the position recorded by HERE or TEACH commands depends on the robot that is currently selected by the monitor or program and not on the robot selected by the MCP. The following commands will allow you to teach the position of robot 2 regardless of which robot is selected by the MCP.

```
.SELECT ROBOT = 2           ;Choose robot to be accessed by Monitor
.TEACH p[1]                 ;Record location(s) of robot 2
```

Robots With Fewer Than Six Joints

The MCP has six axis/joint selection buttons. In Cartesian modes (WORLD, TOOL), these correspond to all six possible Cartesian values: X, Y, Z, RX, RY, RZ. Not all mechanisms can move in all of these coordinates. For example, a 4-axis SCARA robot can move in only X, Y, Z and RZ. Buttons that have no effect on your robot are ignored and in some cases cannot be selected.

Robots With More Than Six Joints

In JOINT mode, each of the six buttons is used to control a specific joint of the robot. If the robot has more than six joints, the F2/J7-J12 key can be used to access the 7th to 12th joints. Only the robot currently selected by the MCP is affected. The currently selected joint is shown by the state of the LED on the joint/axis key as described below. If you press the key for joint 1, and the LED is steady, you are controlling Joint 1. If you press F2/J7-J12, then press the key for joint 1, the LED will flash, indicating that you are controlling Joint 7.

Table C-3. Robots With More Than 6 Axes

Joint/Axis LED state	Joint range
OFF	None
STEADY	1 to 6
FLASHING	7 to 12

The MCP cycles from one range to the other each time the F2/J7-J12 key is pressed.

A

- Adept Document Library 16
- AdeptWindows PC Graphical User's Interface 43
- AdeptWindows, installation 46
- ASCII Terminal 43
- assigning I/O signal numbers 99
- assigning sDIO signal blocks 98
- AUTO Boot 44
- Auto start
 - from the MCP 138
- AUTO.V2 138

B

- Background mode
 - on MCP 133
- Belt Encoder on CX
 - connector description 40
 - connector pin assignments 65
 - interface description for conveyor tracking 65
 - typical input circuit 66

C

- cable diagram, SmartController system 34
- calibrating the robot from the MCP 138
- camera cables
 - 10-Meter extension cable 71
 - four-camera breakout 71
 - installation 72
 - pin/signal information 74–82
 - two-camera breakout 70
- camera compatibility
 - for sAVI option 68
- camera connector on CX, description 40
- CAT-3 SmartController
 - change in SmartModule systems 22
 - description 21
 - E-Stop diagram 52
 - identification 21
 - MCP Enable switch function change 21
- changing the lamp on the High Power indicator 85
- Clear Error button
 - on MCP 137
- Clear Error function

- on MCP 137
- Comp/Pwr button
 - on MCP 141
- CompactFlash
 - installation 29
 - mounting considerations 24
- compliance
 - with international standards 20
- configuring a single sDIO 97
- connecting DC Power 30
- conveyor tracking, using Belt Encoder feature
 - on CX 65
- Customer Service assistance 16
- Cycle
 - setting, on MCP 139

D

- data entry buttons, on MCP 131
- default sDIO configuration 97
- DEL button, on MCP 131
- DeviceNet connector, description 38
- digital I/O
 - displaying on MCP 136
- digital I/O connectors on controller 58
- digital input wiring examples (XDIO connector) 60
- digital output wiring 62
- DIO output specifications (XDIO connector) 61
- DIP switch settings, on SmartController 42
- Document Library CD-ROM 16

E

- Edit function
 - on MCP 134
- editing global variables with the MCP 134
- emergency stop
 - from MCP 131
- Emergency Stop circuits 54
- Emergency Stop switch
 - on Front Panel 42
 - on MCP 141
- EN 60204 18, 20
- environmental specifications 23

- errors
 - displaying system on MCP 137
- Ethernet connector, description 39
- F**
- fast input signals (1001 to 1004) 60
- free state, on MCP 148
- Front Panel
 - connectors and indicators 41
 - safety features 18
- function buttons, on MCP 130
- H**
- High Power On/Off Switch, on Front Panel 41
- How Can I Get Help? 16
- HyperTerminal software, for serial connection 47
- I**
- IEEE 1.1 and 1.2 connectors on CX, description 40
- input and output cable wiring information, on sDIO module 111
- input signals, on XDIO 59
- IP address, default 39
- J**
- joint state 147
 - with SCARA robot 147
- joint values
 - displaying 136
- L**
- labeling DIO cables 110
- location
 - displaying current robot on MCP 136
- location variables
 - editing with MCP 134
- M**
- Man/Halt button
 - on MCP 141
- Manual Control Pendant, see MCP
- manual states
 - free 148
 - joint 147
 - tool 144
 - world 143
- Manual/Automatic Mode switch, on Front Panel 41
- MCP
 - CMD function 137
 - CMD1 and 2 139
 - data entry buttons 131
 - DEL button 131
 - function buttons 130
 - how to use 125–150
 - mode control buttons 140
 - predefined function buttons 133–139
 - REC/DONE button 131
 - slow button 131
 - soft buttons 130
 - speed bar 131
 - viewing angle, on MCP 133
- monitor speed
 - setting, on MCP 139
- mounting the SmartController 24
- muted safety gate E-Stop circuitry 55
- O**
- optional DIO cables 110–112
- output signals, on XDIO 61
- P**
- panel mounting
 - sDIO 95
 - SmartController 26
- Power On LED, on Front Panel 41
- precision point, displayed on MCP 135
- predefined function buttons, on MCP 130
- Prog Set function
 - on MCP 139
- program
 - starting execution, on MCP 139
- program cycles
 - setting, on MCP 139
- program step
 - selecting starting 139
- programmable function buttons, on MCP 130
- R**
- rack mounting
 - sDIO 94
 - SmartController 25
- REACT/REACTI
 - input signals (1001 to 1012) 60
- real variables
 - editing with MCP 134
- REC/DONE button, on MCP 131
- related manuals 16

- remote Manual Mode control 56
 - remote MCP connections on XMCP
 - connector 51
 - remote sensing of user E-Stop switches 55
 - robot location
 - displaying 136
 - robot states in manual mode
 - free 148
 - joint 147
 - tool 144
 - world 143
 - Robotic Industries Association 17
 - robotic safety 17
 - RS-232 and RS-485 connectors, description 39
 - RS-232 connectors with V+ designations 45
 - RS-232/Term connector pin assignments 44
 - RS-232-1 and RS-232-2 connectors,
 - description 40
 - RS-422/485 connector
 - description 45
 - pin assignments 45
- S**
- safety 17
 - sAVI Inspection System
 - description 68
 - limitations 68
 - sAVI option
 - camera cables 70–82
 - camera compatibility 68
 - cameras supported 69
 - technical specifications 83
 - sDIO module
 - assigning signal blocks 98
 - connectors 103
 - default configuration 97
 - digital input circuit specifications 104
 - digital output circuit specifications 107
 - mounting options 93
 - optional DIO cables 110–112
 - output power supply current
 - selection 107
 - signal number mapping 101
 - testing outputs 106
 - using multiple modules 102
 - selecting a new program
 - on MCP 139
 - serial connection to PC using HyperTerminal
 - software 47
 - serial connectors with V+ designations 45
 - serial port 1 (RS-232/TERM) 44
 - slow button, on MCP 131, 143
 - SmartController CS
 - connectors and indicators 37
 - description 15
 - SmartController CX
 - connectors and indicators 40
 - description 15
 - SmartController, CAT-3 version, see CAT-3 SmartController
 - SmartController, system cable diagram 34
 - SmartServo 1.1 and 1.2 connectors,
 - description 38
 - soft buttons, on MCP 130
 - specifications, environmental 23
 - speed bar
 - on MCP 131, 142
 - speed, setting on MCP 139
 - stack mounting the sDIO 96
 - standards compliance 20
 - starting program execution
 - on MCP 139
 - status LEDs, functions 37
 - status, displaying system on MCP 136
 - step, selecting starting, on MCP 139
 - Store All function, on MCP 138
 - storing programs with the MCP 138
 - Support, phone numbers 16
 - SW1 DIP switches 38
 - System 5V Power On LED, on Front Panel 41
 - system cable diagram 34
- T**
- table mounting
 - sDIO 96
 - SmartController 27
 - technical specifications
 - sAVI module 83
 - terminal for text-based systems 48
 - text-based system installation 48
 - tool state
 - and tool transformation 145
 - on MCP 144
- U**
- unpacking 23
 - User Interface
 - installation 46
 - using multiple sDIO Modules 102

V

- V+ Extensions License, for Belt Encoder
 - function [65](#)
- viewing angle
 - LCD panel, on MCP [133](#)
- vision option, see sAVI option

X

- XDC1/XDC2 24VDC connectors,
 - description [40](#)
- XDIO connector
 - description [39](#)
 - digital output wiring [62](#)
 - functions [59–64](#)
 - input signals [59](#)
 - output signals [61](#)
- XFP connector on Front Panel, description [41](#)
- XFP connector, on SmartController
 - contacts [50](#)
 - description [39](#)
- XMCP connector
 - description [39](#)
 - remote MCP connections [51](#)
- XSYS connector, description [39](#)
- XUSR connector
 - contacts [49–50](#)
 - description [39](#)



**adept
technology, inc.**

**3011 Triad Drive
Livermore, CA 94551
925•245•3400**

P/N: 00356-00100, Rev. E

Free Manuals Download Website

<http://myh66.com>

<http://usermanuals.us>

<http://www.somanuals.com>

<http://www.4manuals.cc>

<http://www.manual-lib.com>

<http://www.404manual.com>

<http://www.luxmanual.com>

<http://aubethermostatmanual.com>

Golf course search by state

<http://golfingnear.com>

Email search by domain

<http://emailbydomain.com>

Auto manuals search

<http://auto.somanuals.com>

TV manuals search

<http://tv.somanuals.com>